

McCORMICK
XTX 185, 200, 215

По вопросам приобретения запасных
частей к тракторам торговой марки
McCORMICK
обращайтесь по телефону:
8 800 555 15 48
ООО «ИНТЕЛСТИЛ»

2 - Engine

2 -
003

ENGINES

XTX Series XTX185, XTX200, XTX215 (2005-2007)



2003

- 1 710043A1
 - 1 712057A1
 - 1 712058A1
- 1 ENGINE
 - 1 Engine Assy
 - 1 Engine Assy

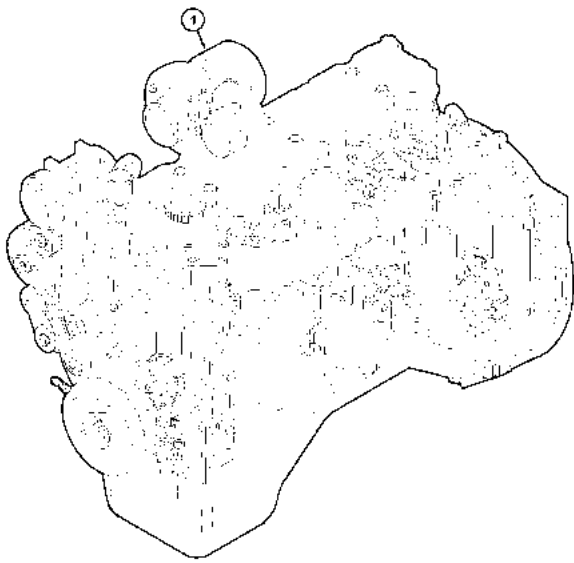
Complete Service Engine

QSB

#XTX200

#XTX185

#XTX215



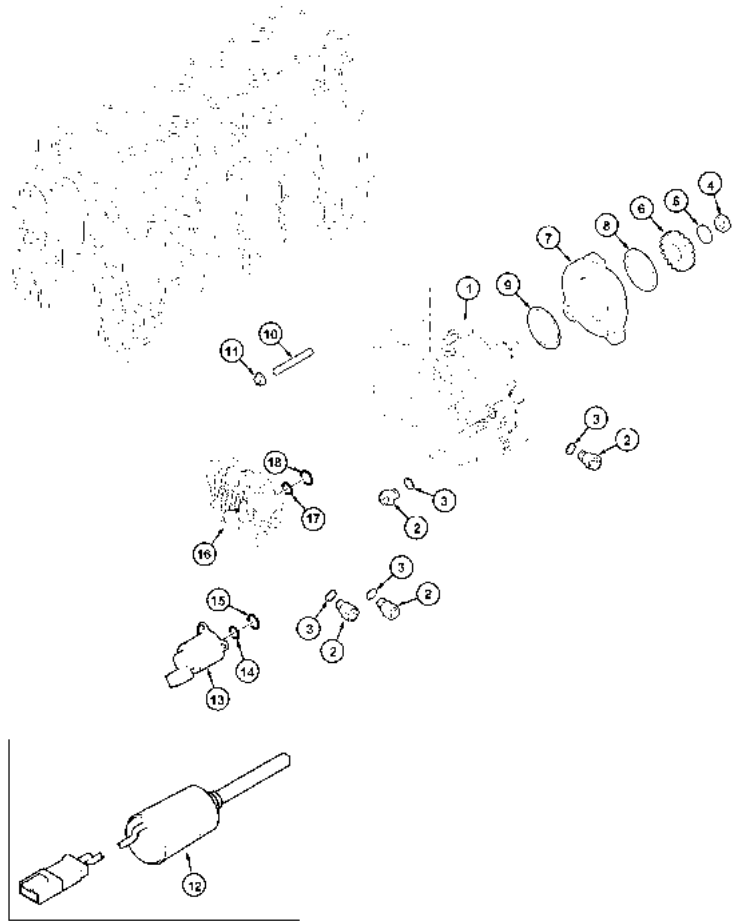
3 - Fuel System

3 -
003

FUEL INJECTION PUMP - XTX185, XTX200

XTX Series XTX185, XTX200, XTX215 (2005-2007)

3003



- | | | | |
|----|----------|-----------------|-------------|
| 1 | 704975A1 | ● 704975A2 (1) | 1 PUMP |
| 2 | 704740A1 | ● 6501374M1 (4) | 4 COUPLER |
| 3 | 707358A1 | | 4 SEAL |
| 4 | 704682A1 | | 1 Nut |
| 5 | 707359A1 | | 1 Washer |
| 6 | 704731A1 | | 1 PINION |
| 7 | 705116A1 | | 1 SPACER |
| 8 | 704591A1 | | 1 RING |
| 9 | 712168A1 | ● 3689012M1 (1) | 1 O-Ring |
| 10 | 704575A1 | | 3 STUD |
| 11 | 708557A1 | | 3 NUT |
| 12 | 705964A1 | | 1 Heater |
| 13 | 712169A1 | ● 3689009M1 (1) | 1 REGULATOR |
| 14 | 712170A1 | | 1 O-Ring |
| 15 | 712171A1 | | 1 O-Ring |
| 16 | 713800A1 | ● 3689010M2 (1) | 1 Pump |
| 17 | 713801A1 | | 1 O-Ring |
| 18 | 713802A1 | | 1 O-Ring |

M8

Optional

12V

Includes: 8

M18

Includes: 14,15

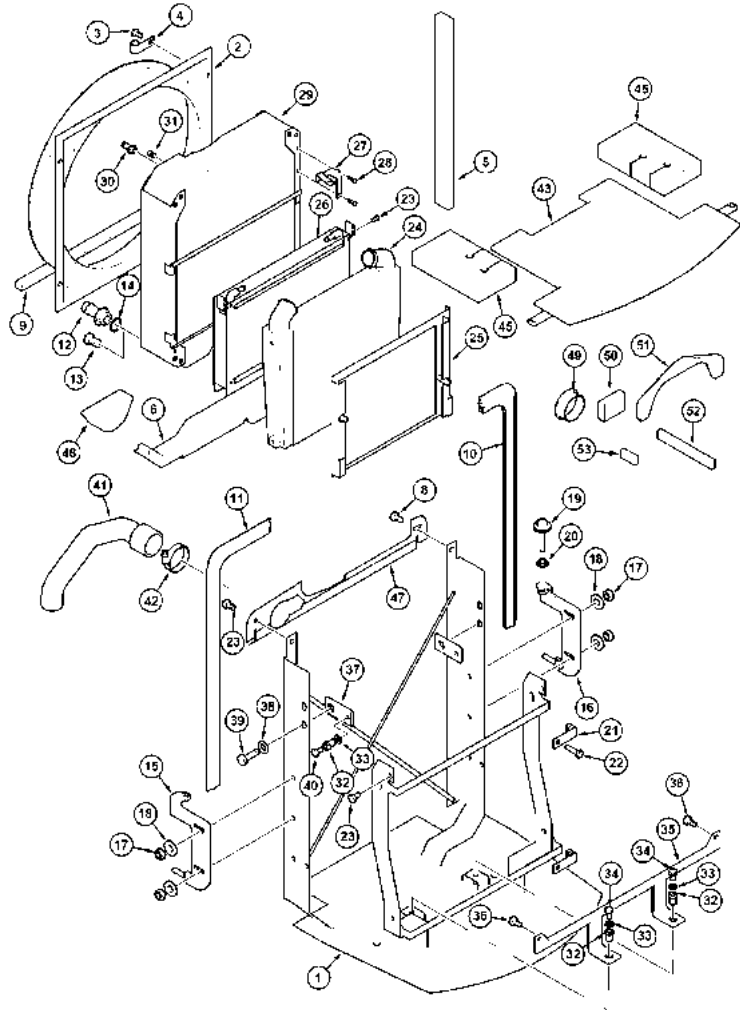
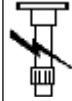
Includes: 2 - 5

Fuel

M8 x 50 mm

XTX Series XTX185, XTX200, XTX215 (2005-2007)

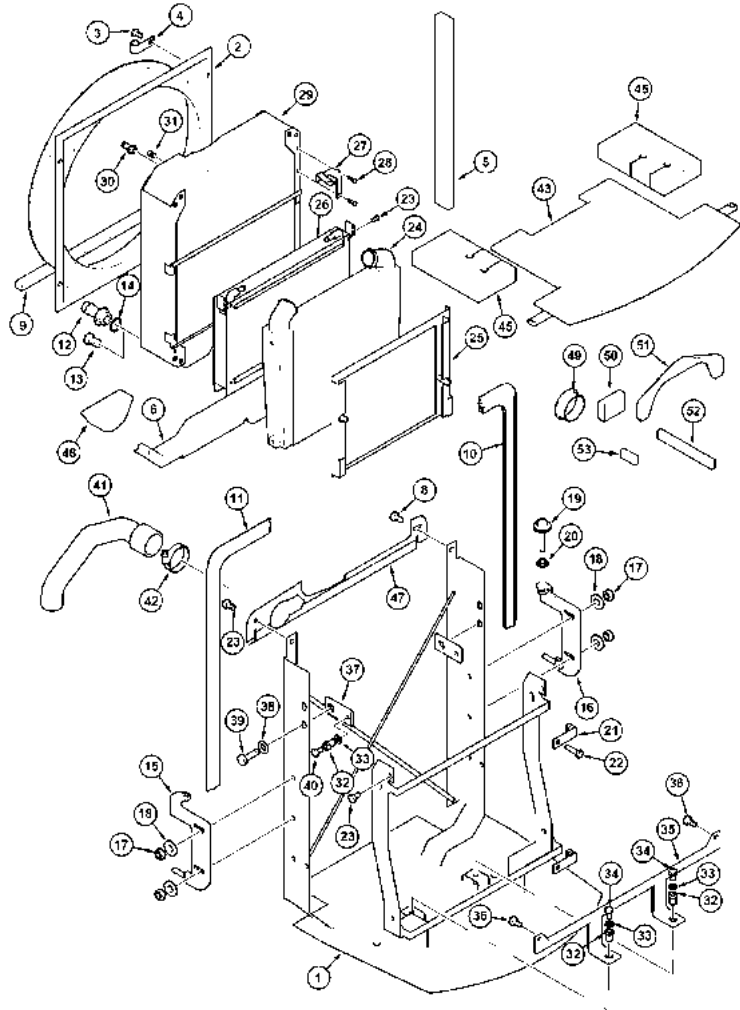
2005



- | | | | | |
|----|-----------|----------------|---|--------------|
| 1 | 707156A1 | | 1 | Support Assy |
| 1 | 711846A2 | | 1 | Support Assy |
| 2 | 700723A3 | | 1 | Shroud |
| 2 | 701779A2 | | 1 | Shroud |
| 3 | 844-8020 | ● 2314H003 (4) | 4 | BOLT |
| 4 | 516-23158 | | 2 | CLAMP |
| 5 | 701729A1 | | 2 | SEAL |
| 6 | 701515A1 | | 1 | Seal |
| 6 | 711905A2 | | 1 | Seal |
| 8 | 844-8016 | | 2 | BOLT |
| 9 | 702701A1 | | 2 | Seal |
| 10 | 701728A2 | | 1 | Seal |
| 11 | 710073A2 | | 1 | Seal |
| 12 | 196816C1 | | 1 | UNION |
| 13 | 218-5156 | ● N.L.A. (1) | 1 | PLUG |

XTX Series XTX185, XTX200, XTX215 (2005-2007)

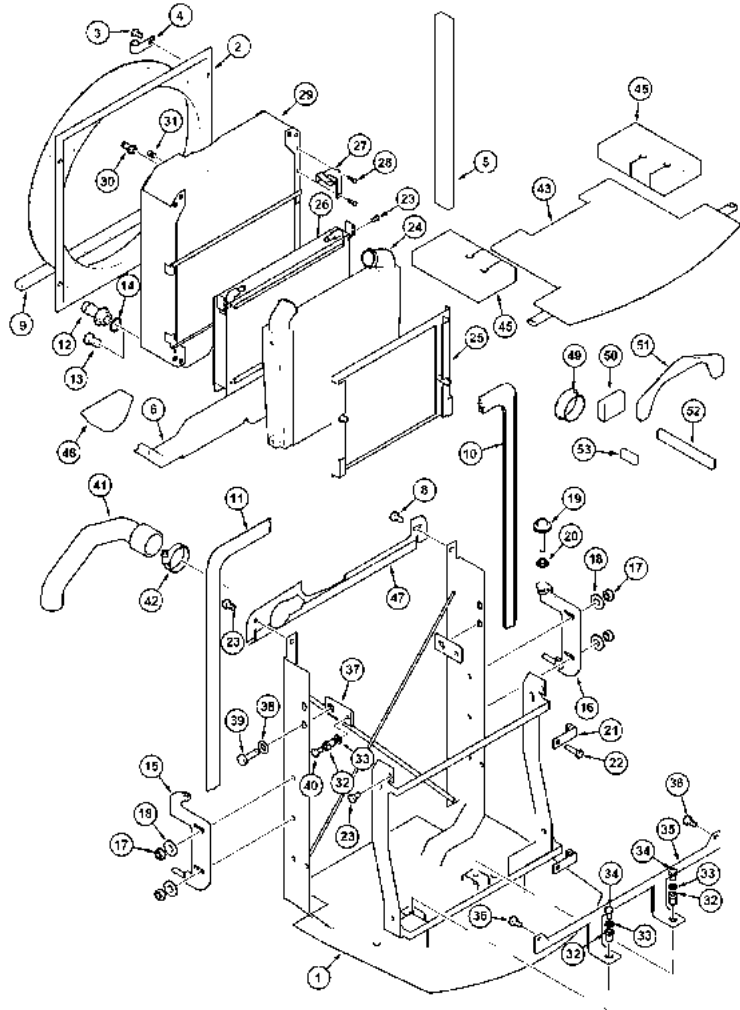
2005



- | | | | | |
|----|-----------|-----------------|---|--------------|
| 14 | 237-6008 | | 1 | INSTANT GA |
| 15 | REF | | 1 | Bracket Assy |
| 16 | REF | | 1 | Bracket Assy |
| 17 | 825-2410 | ● 1441932X1 (4) | 4 | NUT |
| 18 | 895-11010 | | 4 | WASHER |
| 19 | 236964A2 | | 2 | SCREW |
| 20 | 825-1408 | | 2 | NUT |
| 21 | 450497A1 | | 2 | STIRRUP |
| 22 | 844-8012 | | 4 | BOLT |

XTX Series XTX185, XTX200, XTX215 (2005-2007)

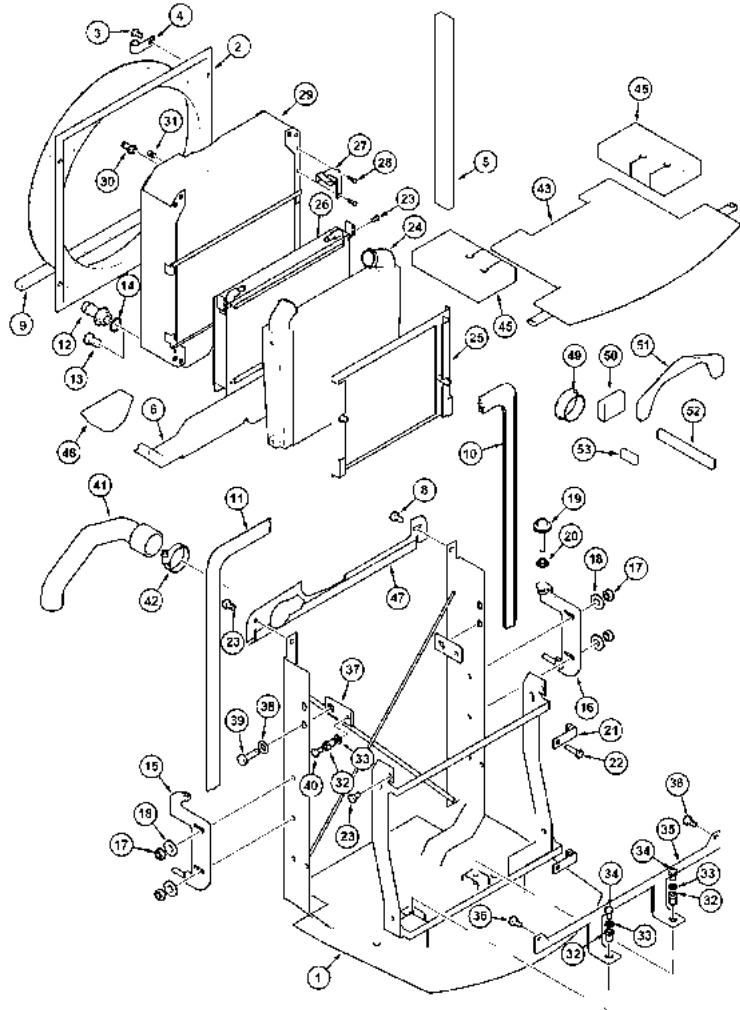
2005



- M8 x 16; 8,8
- M8; 8
- Left
- Right
- M8 x 12; 8,8
- See Page(s): 2-19
- M8 x 20; 8,8
- M10
- 11 x 21 x 2 mm
- 41/64 ID x 3/32
- 520 mm
- 3/4 Or
- See Page(s): 9-25
- 1/2 x 5/8
- See Page(s): 9-27
- With Front P.T.O. and Front Hitch
- 680 mm
- WITH HEATER
- ID 597 mm
- 576 mm
- #XTX215
- #XTX185, XTX200
- 705 mm
- A WITHOUT HEATER
- B CONTINUED

XTX Series XTX185, XTX200, XTX215 (2005-2007)

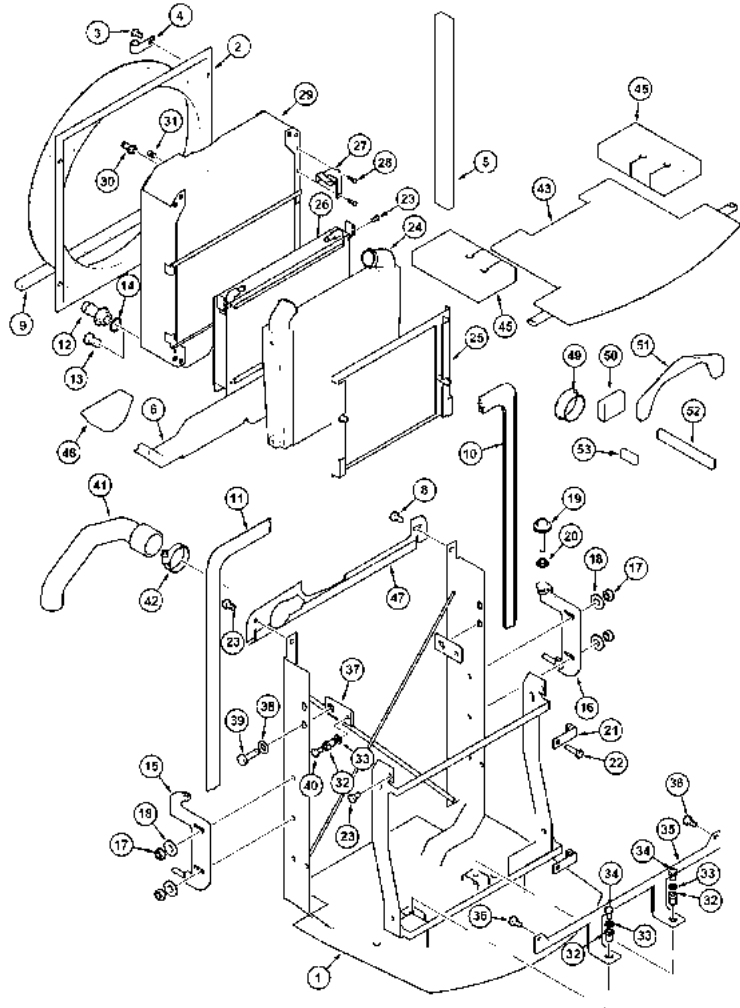
2007



- | | | | | |
|----|-----------|----------------|---|---------------|
| 23 | 844-8016 | | 0 | BOLT |
| 24 | 437066A1 | | 1 | COOLER |
| 25 | 708879A1 | | 1 | Condenser |
| 26 | 701679A3 | ● 701679A5 (1) | 1 | Cooler, Oil |
| 27 | 701625A1 | | 1 | SUPPORT |
| 28 | 844-8016 | | 2 | BOLT |
| 29 | REF | | 1 | Radiator Assy |
| 30 | 702602A1 | | 1 | Pipe |
| 31 | 705398A1 | | 1 | Plug |
| 32 | 179601A1 | | 4 | BLOCK |
| 33 | K691987 | | 4 | WASHER |
| 34 | 614-10025 | | 2 | BOLT |
| 35 | 701331A2 | ● 701331A3 (1) | 1 | Bracket |
| 36 | 844-8016 | | 2 | BOLT |
| 37 | 188739A2 | | 2 | STRAP |
| 38 | 895-11010 | | 2 | WASHER |
| 39 | 614-10016 | | 2 | BOLT |
| 40 | 614-10030 | | 2 | BOLT |

XTX Series XTX185, XTX200, XTX215 (2005-2007)

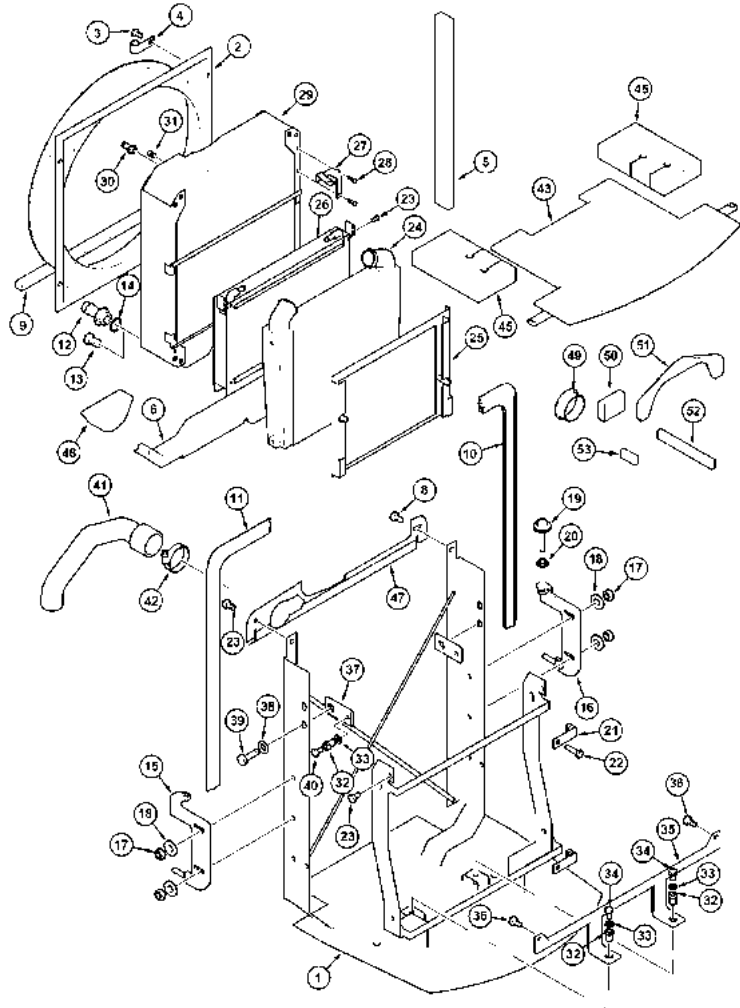
2007



- | | | | |
|----|----------|---|--------|
| 41 | 701179A1 | 1 | HOSE |
| 42 | 214-1540 | 1 | CLAMP |
| 43 | 703564A3 | 1 | Cover |
| 43 | 703988A3 | 1 | Cover |
| 45 | 703978A1 | 1 | Seal |
| 47 | 711777A2 | 1 | FLANGE |
| 48 | 231135A1 | 1 | GASKET |
| 49 | 711948A1 | 1 | PLUG |
| 50 | 711907A1 | 1 | Seal |
| 51 | 711906A1 | 1 | Seal |
| 52 | 713069A1 | 1 | Seal |
| 53 | 713070A1 | 1 | Seal |

XTX Series XTX185, XTX200, XTX215 (2005-2007)

2007



- M8 x 16; 8,8
- M10 x 30; 8,8
- 11 x 21 x 2 mm
- M10 x 16; 8,8
- M10 x 25; 8,8
- See Page(s): 2-25
- 190 mm
- With Front Hitch
- M30
- See Page(s): 2-9
- Bleed
- 30 mm
- With Front P.T.O. and Front Hitch
- 1/8 NPTF
- 2-1/16 x 3
- 140 x 80
- 175 mm
- #XTX185, XTX200
- See Page(s): 2-27,29
- See Page(s): 8-9
- 123 mm

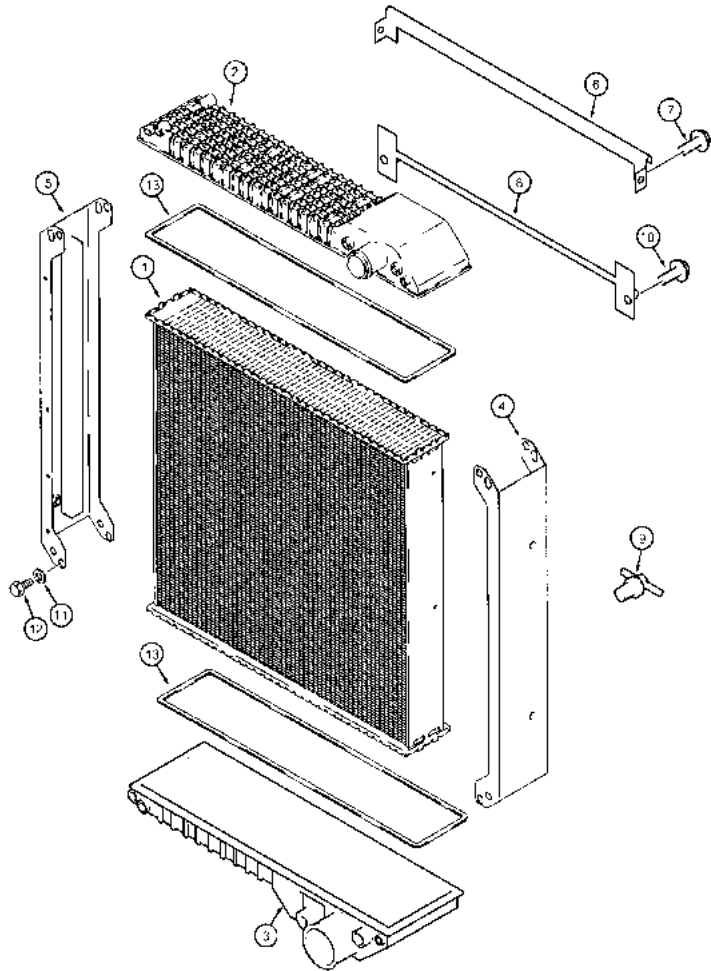
2 - Engine

2 -
009

RADIATOR

XTX Series XTX185, XTX200, XTX215 (2005-2007)

2009



- | | | | | |
|----|-----------|----------------|---|---------------|
| 1 | 700724A6 | | 1 | RADIATOR |
| 1 | 710105A2 | ● 710181A3 (1) | 1 | Radiator Assy |
| 2 | NSS | | 1 | Tank |
| 3 | NSS | | 1 | Tank |
| 4 | 701299A2 | | 1 | CHANNEL |
| 5 | 701300A2 | | 1 | HOLDING FI |
| 6 | 701329A2 | | 1 | HOLDING FI |
| 7 | 844-6012 | | 2 | BOLT |
| 8 | 701335A1 | | 1 | Bracket |
| 9 | 217-92 | | 1 | COCK |
| 10 | 844-8020 | ● 2314H003 (2) | 2 | BOLT |
| 11 | 895-11008 | | 8 | WASHER |
| 12 | 614-8016 | | 8 | SCREW |
| 13 | 254409A1 | | 2 | RING |

Upper
 LOWER
 M8 x 16; 8,8
 M6 x 12; 8,8
 9 x 17 x 1,6 mm
 Left
 Right
 M8 x 20; 8,8
 1/4
 Includes: 2 - 13
 With Front Hitch

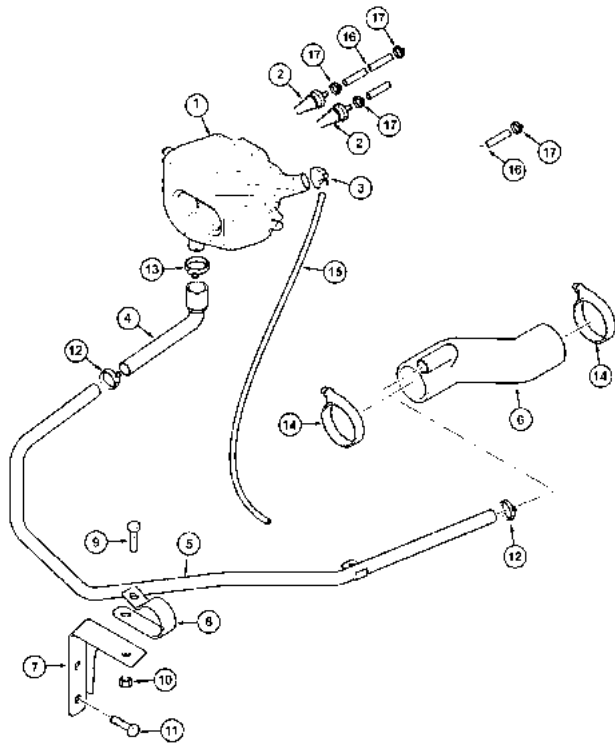
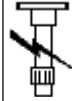
2 - Engine

2 -
011

COOLANT RECOVERY SYSTEM - XTX185, XTX200

XTX Series XTX185, XTX200, XTX215 (2005-2007)

2011



- | | | | |
|----|-----------|---|--------------|
| 1 | 704363A2 | 1 | Reservoir |
| 2 | 701044A1 | 2 | Fitting |
| 3 | 701045A1 | 1 | PLUG |
| 4 | 704478A1 | 1 | Hose |
| 5 | 704471A1 | 1 | Hose Assy |
| 6 | 701977A2 | 1 | HOSE |
| 7 | 704485A1 | 1 | Bracket Assy |
| 8 | 515-22349 | 1 | CLAMP |
| 9 | 844-8016 | 1 | BOLT |
| 10 | 825-2408 | 1 | NUT |
| 11 | 844-12025 | 2 | BOLT |
| 12 | 214-1420 | 2 | CLAMP |
| 13 | 214-1424 | 1 | CLAMP |
| 14 | 214-1440 | 2 | CLAMP |
| 15 | 707790A1 | 1 | Hose |
| 16 | 253927A1 | 2 | HYDR HOSE |
| 17 | 3125239R1 | 4 | CLAMP |

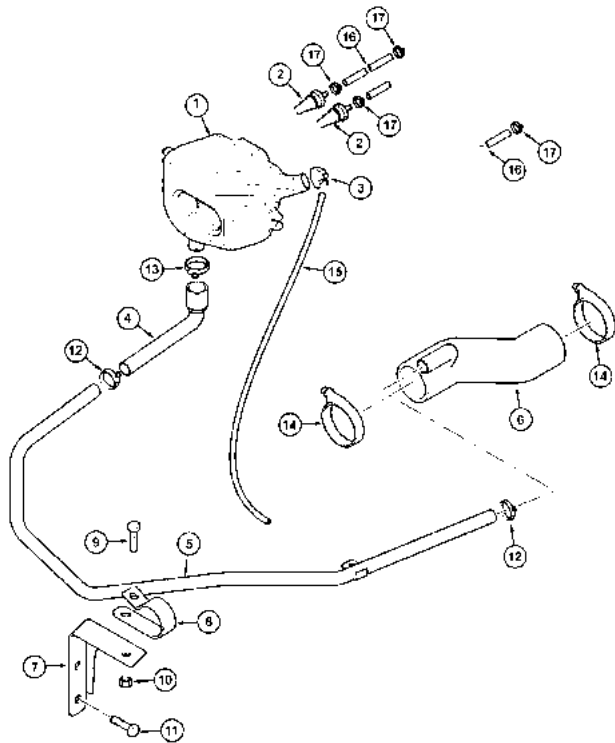
2 - Engine

2 -
011

COOLANT RECOVERY SYSTEM - XTX185, XTX200

XTX Series XTX185, XTX200, XTX215 (2005-2007)

2011

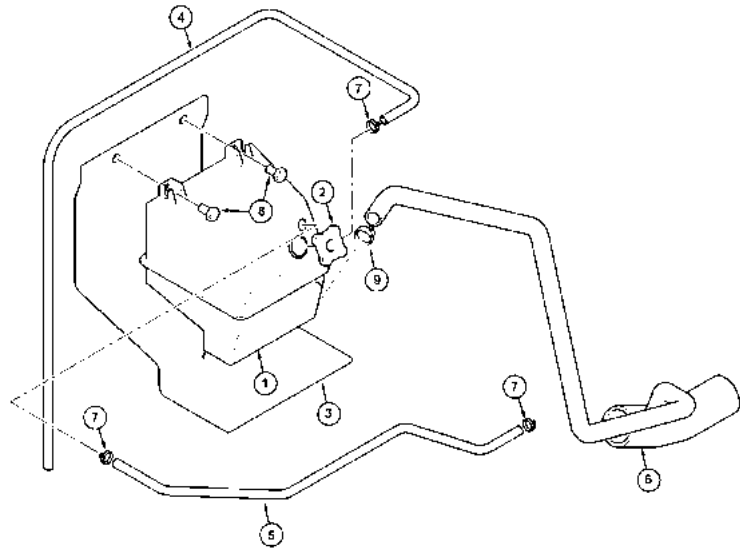
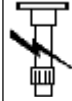


- 2-1/16 - 3
- M8 x 16; 8,8
- M8; 8
- 914 mm (36 in)
- 1-3/8 ID
- Cut From: 3 x 194881A1
- 13/16 - 1-3/4
- 1-1/16 - 2
- 1160 mm
- Cut From: 4 x 194881A1
- M12 x 25
- REAR

Y

XTX Series XTX185, XTX200, XTX215 (2005-2007)

2013

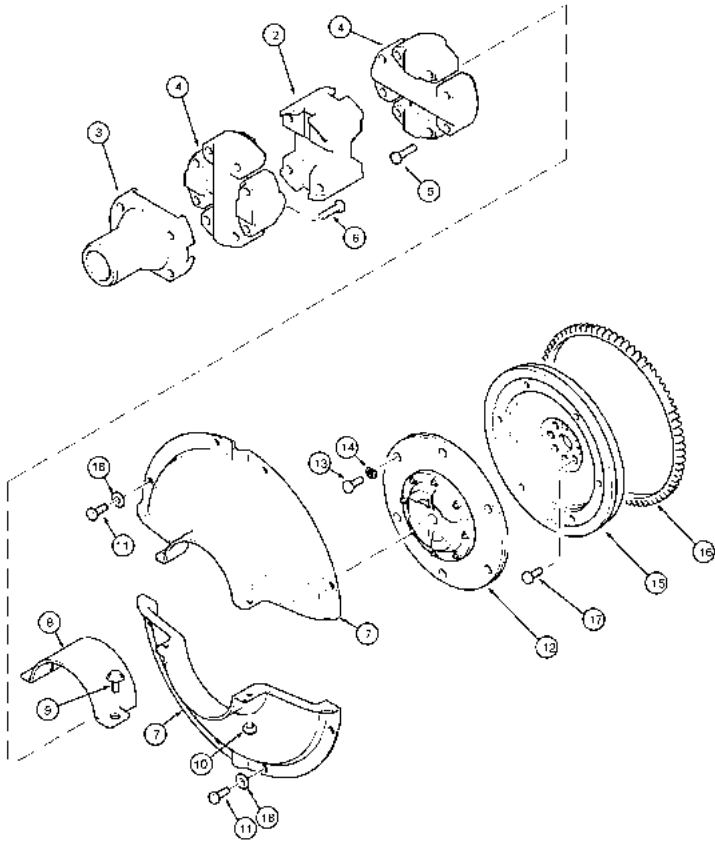
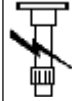


- | | | | | | |
|---|-----------|---|----------------|---|--------------|
| 1 | 701150A1 | ● | 3553209M91 (1) | 1 | TANK |
| 2 | 701149A1 | ● | 4203305M1 (1) | 1 | Cap |
| 3 | 702529A1 | | | 1 | Bracket Assy |
| 4 | 707790A1 | | | 1 | Hose |
| 5 | 253927A1 | | | 1 | HYDR HOSE |
| 6 | 702570A1 | | | 1 | EXHAUST PIPE |
| 7 | 3125239R1 | | | 3 | CLAMP |
| 8 | 844-8025 | ● | 2314H004 (5) | 5 | BOLT |
| 9 | 214-1420 | | | 1 | CLAMP |

914 mm (36 in)
M8 x 25; 8,8
Cut From: 3 x 194881A1
13/16 - 1-3/4
1160 mm
Cut From: 4 x 194881A1

XTX Series XTX185, XTX200, XTX215 (2005-2007)

2015



- | | | | | |
|----|-----------|------------------|----|----------|
| 1 | 433227A1 | ● 6510115M91 (1) | 1 | DRIVE |
| 2 | 433226A1 | | 1 | SHAFT |
| 3 | 223968A1 | | 1 | YOKE |
| 4 | 229108A1 | | 2 | SPIDER |
| 5 | 828-10045 | | 12 | SCREW |
| 6 | 828-10045 | | 4 | SCREW |
| 7 | 701918A1 | | 2 | Shield |
| 8 | 442829A2 | | 1 | COVER |
| 9 | 844-8025 | ● 2314H004 (2) | 2 | BOLT |
| 10 | 832-10408 | | 2 | NUT FNS |
| 11 | 614-10020 | | 8 | BOLT |
| 12 | 701468A1 | | 1 | DAMPER |
| 13 | 614-12030 | | 6 | BOLT |
| 14 | 896-11012 | ● 3667437M1 (6) | 6 | WASHER |
| 15 | 705228A1 | | 1 | FLYWHEEL |
| 16 | 705069A1 | ● N.L.S. (1) | 1 | GEAR |
| 17 | 704752A1 | | 8 | SCREW |
| 18 | 895-15010 | | 8 | WASHER |

2 - Engine

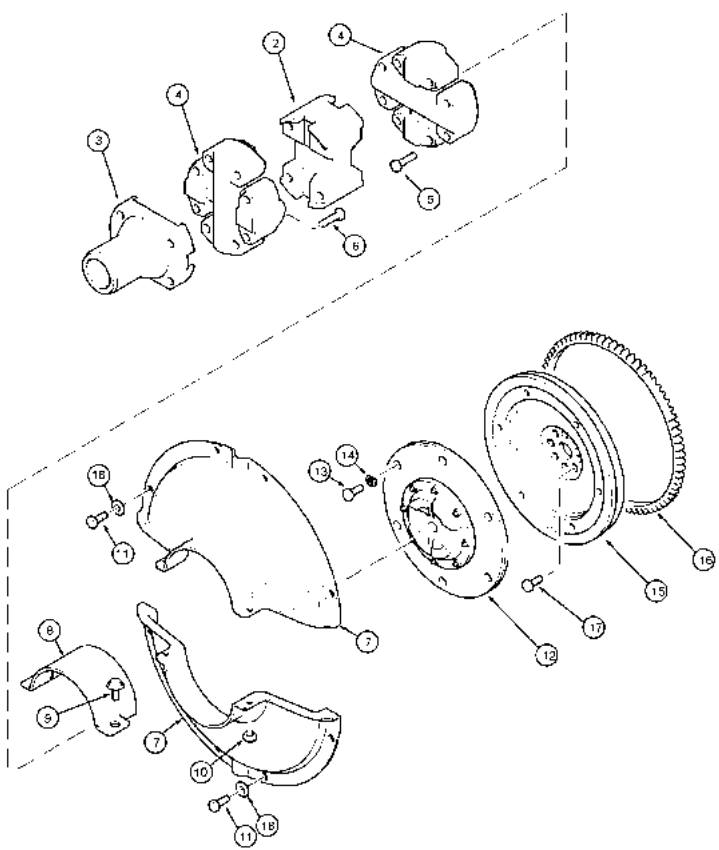
2 -
015

FLYWHEEL AND HOUSING - XTX185, XTX200

XTX Series XTX185, XTX200, XTX215 (2005-2007)



2015



19 331-117

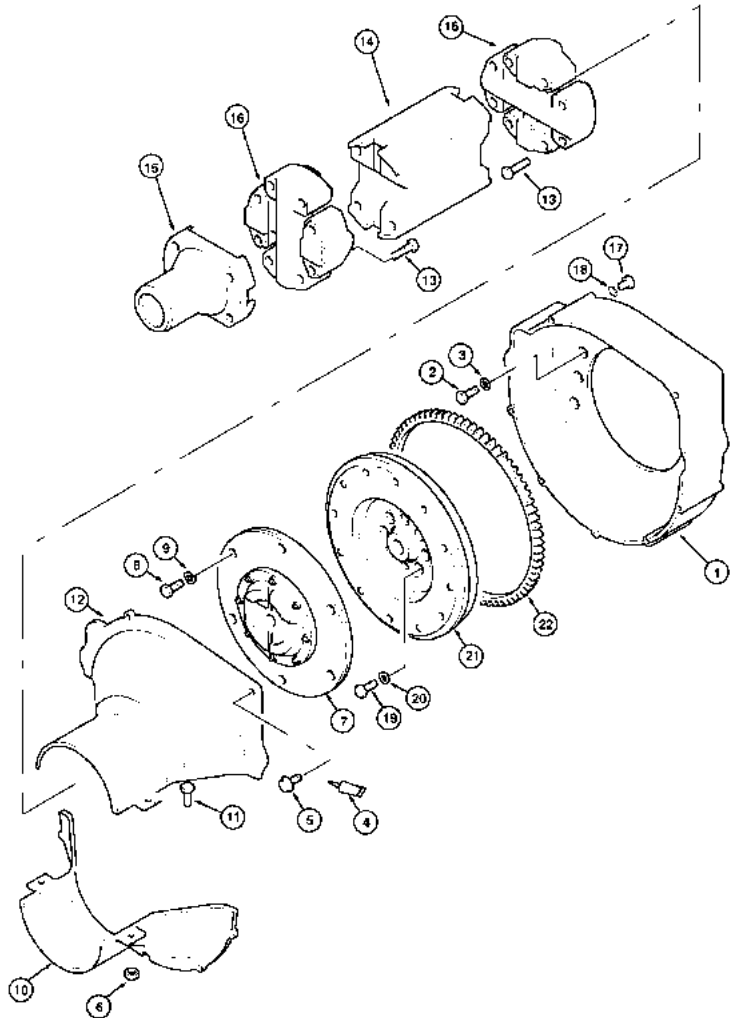
0 Lubricant

- M8; 8
- M8 x 25; 8,8
- M10 x 20; 8,8
- If So Equipped
- 1/2
- Includes: 16
- Consists Of: 2 - 5
- 24T
- 13.5 mm
- 11 x 24 x 2 mm
- M10 x 45; 10,9
- M12 x 30; 8,8
- NOT ILLUSTRATED

A

XTX Series XTX185, XTX200, XTX215 (2005-2007)

2017



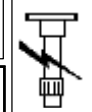
- | | | | | |
|----|-----------|-----------------|----|------------|
| 1 | 222365A3 | | 1 | CRANKCASE |
| 2 | 828-12045 | | 8 | SCREW |
| 3 | 896-11012 | ● 3667437M1 (8) | 8 | WASHER |
| 4 | 331-117 | | 0 | Lubricant |
| 4 | 345-176 | | 0 | LOCTITE |
| 5 | 905-8016 | | 6 | BOLT |
| 6 | 832-10408 | | 2 | NUT FNS |
| 7 | 701468A1 | | 1 | DAMPER |
| 8 | 614-12030 | | 6 | BOLT |
| 9 | 896-11012 | ● 3667437M1 (6) | 6 | WASHER |
| 10 | 349204A1 | | 1 | COWL |
| 11 | 844-8020 | ● 2314H003 (6) | 6 | BOLT |
| 12 | 349205A1 | | 1 | COWL |
| 13 | 828-10045 | | 16 | SCREW |
| 14 | 236698A1 | | 1 | YOKE |
| 15 | 223968A1 | | 1 | YOKE |
| 16 | 229108A1 | | 2 | SPIDER |
| 17 | J910248 | | 1 | PLUG |
| 18 | 238-5212 | | 1 | INSTANT GA |
| 19 | TBA | | 8 | Bolt |

2 - Engine

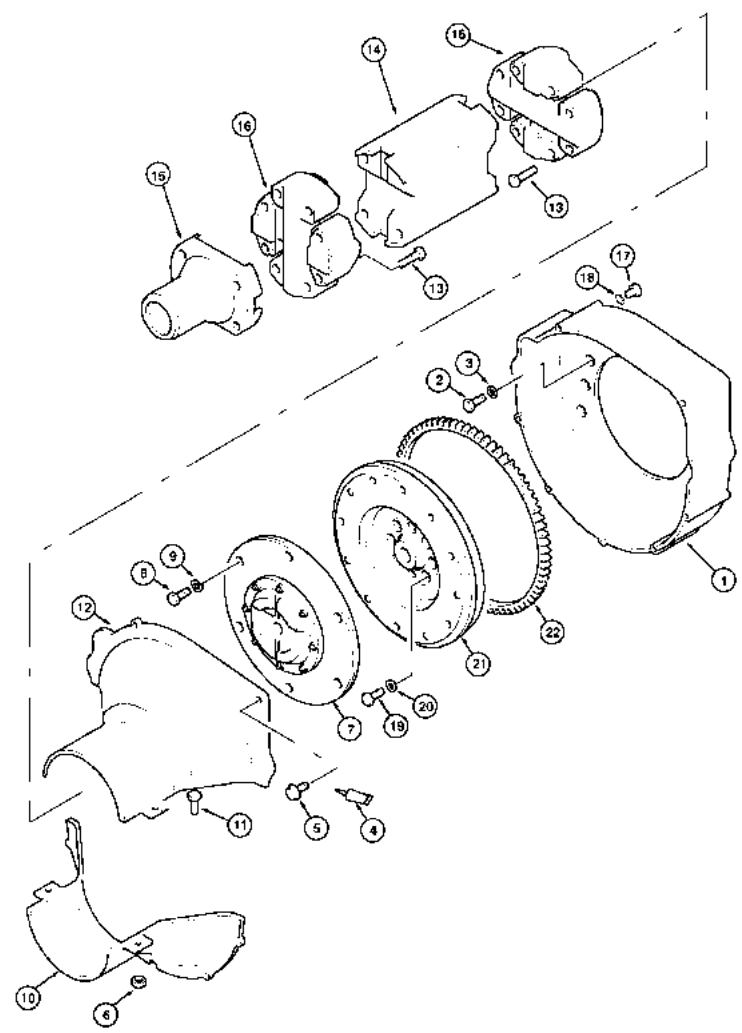
2 -
017

FLYWHEEL AND HOUSING - XTX215

XTX Series XTX185, XTX200, XTX215 (2005-2007)



2017



- 20 TBA
- 21 TBA
- 22 TBA

- 8 Washer
- 1 Flywheel
- 1 Gear

M8; 8
 M8 x 20; 8,8
 1/2
 Includes: 22
 24T
 7/8 ID x 1/8
 13.5 mm
 M12 x 45; 10,9
 M8 x 16
 M10 x 45; 10,9
 M12 x 30; 8,8
 M12 x 32

2 - Engine

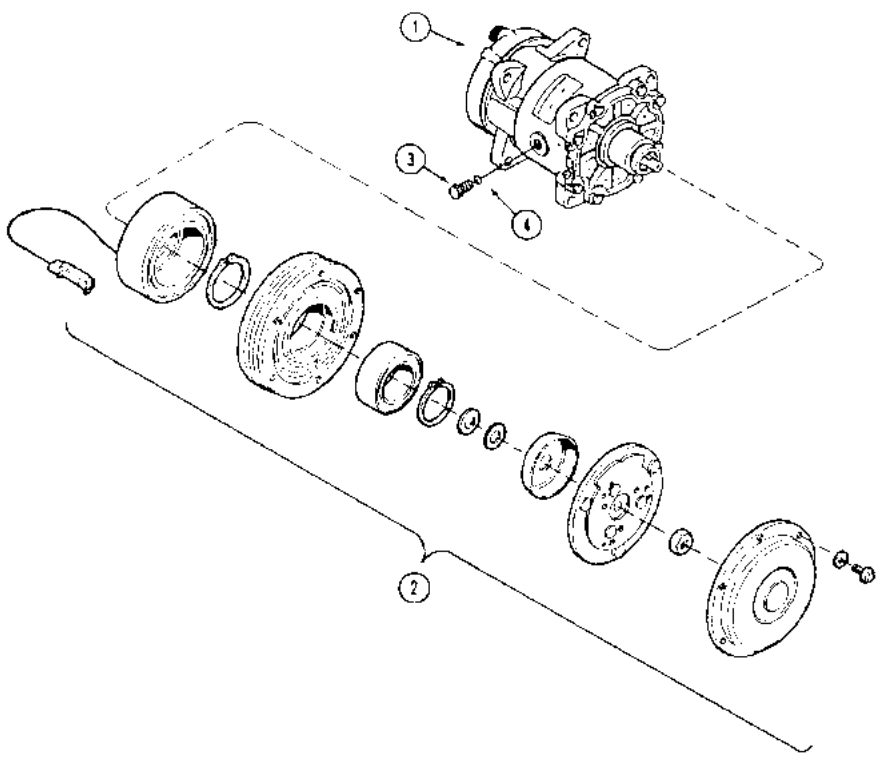
2 -
021

COMPRESSOR ASSY - XTX215

XTX Series XTX185, XTX200, XTX215 (2005-2007)



2021



- 1 1999755C3
- 2 135324A2 ● N.L.S. (1)
- 3 A49667
- 4 128483A1

- 1 COMPOUND
- 1 CLUTCH
- 1 Plug
- 1 INSTANT GA

5/16 ID x 1/16
Includes: 2 - 4

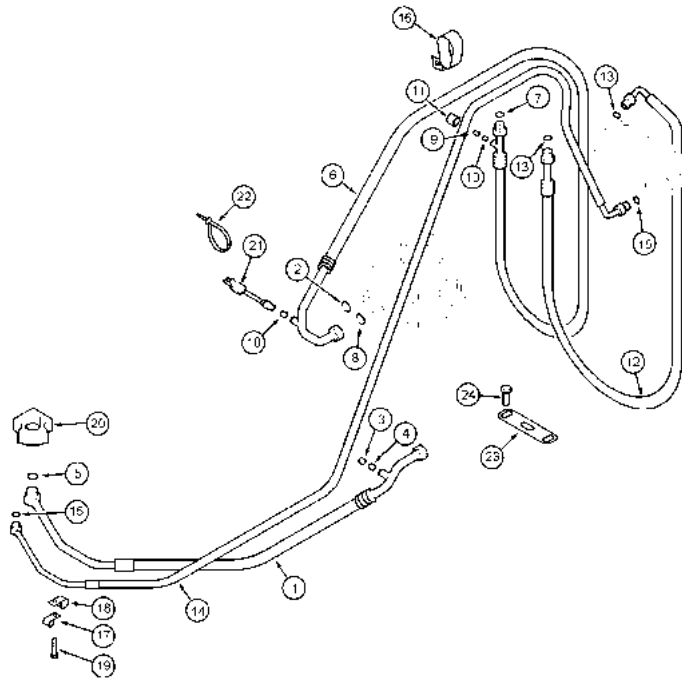
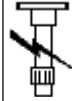
2 - Engine

2 -
023

AIR CONDITIONING PIPES

XTX Series XTX185, XTX200, XTX215 (2005-2007)

2023



- | | | | |
|----|----------------|---|------------|
| 1 | 183030A5 | 1 | Hose Assy |
| 1 | 705733A2 | 1 | Hose Assy |
| 2 | 128485A1 | 1 | INSTANT GA |
| 3 | 122553A1 | 1 | CAPSULE |
| 4 | 1250594C2 | 1 | Core |
| 5 | T103182 | 1 | RING |
| 6 | 446216A3 | 1 | Hose Assy |
| 6 | 705734A2 | 1 | Hose Assy |
| 7 | 128484A1 | 1 | INSTANT GA |
| 8 | 128485A1 | 1 | INSTANT GA |
| 9 | 122081A1 | 1 | Fitting |
| 10 | 1250594C2 | 1 | Core |
| 11 | 122554A1 | 1 | CAP |
| 12 | 701743A2 | 1 | Hose Assy |
| | ● 701743A3 (1) | | |
| 13 | 128483A1 | 2 | INSTANT GA |
| 14 | 183031A5 | 1 | Hose Assy |

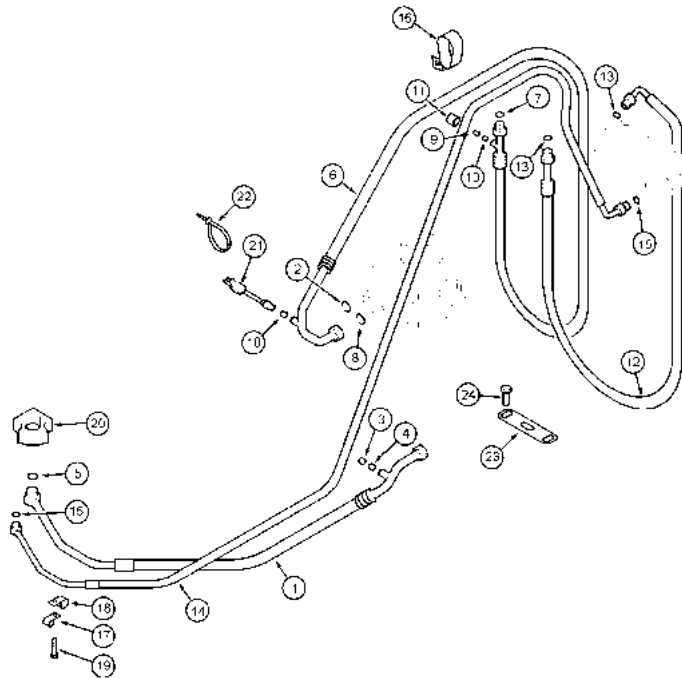
2 - Engine

2 -
023

AIR CONDITIONING PIPES

XTX Series XTX185, XTX200, XTX215 (2005-2007)

2023



- | | | | | | |
|----|-----------|---|--------------|---|-------------|
| 14 | 236065A2 | ● | 183031A5 (1) | 1 | HYDR HOSE |
| 15 | 128483A1 | | | 2 | INSTANT GA |
| 16 | A169433 | | | 6 | Strap |
| 17 | 515-2195 | | | 1 | CLAMP |
| 18 | 515-21159 | | | 1 | CLAMP |
| 19 | 780-14625 | | | 1 | SCREW |
| 20 | 247270A2 | | | 1 | INSULATOR |
| 21 | 232948A2 | | | 1 | Switch Assy |
| 21 | 708617A1 | | | 1 | SWITCH |
| 22 | L18337 | | | 0 | BANDAGE |
| 23 | 705736A1 | | | 1 | Bracket |
| 24 | 844-8012 | | | 1 | BOLT |

2 - Engine

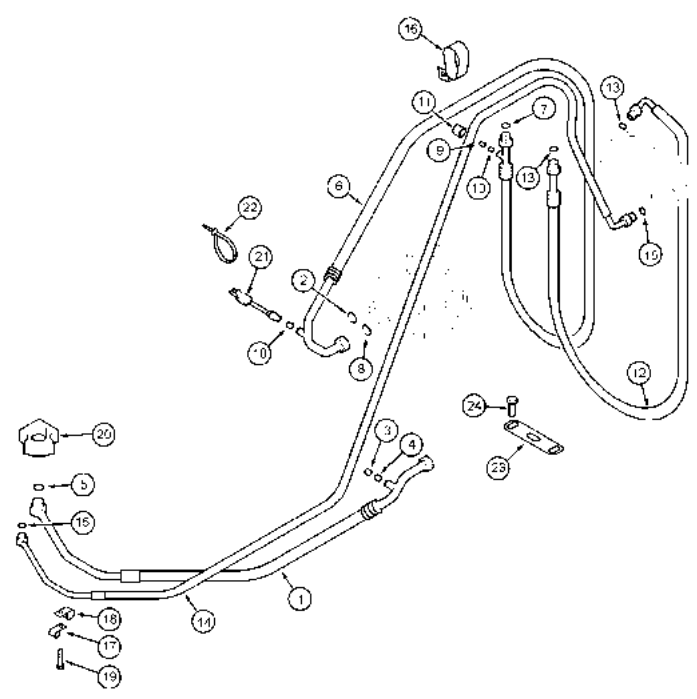
2 -
023

AIR CONDITIONING PIPES

XTX Series XTX185, XTX200, XTX215 (2005-2007)



2023



- M8 x 12; 8,8
- Includes: 15
- 9/16 ID x 1/16
- Includes: 7 - 11
- 1/2 x 3/8
- Includes: 13
- 5/16 ID x 1/16
- 7/16 ID x 1/16
- Includes: 2 - 5
- HIGH PRESSURE
- 15 in
- 6.3 x 25 mm
- 12 in
- Automatic Temperature Control
- #XTX215
- #XTX185, XTX200

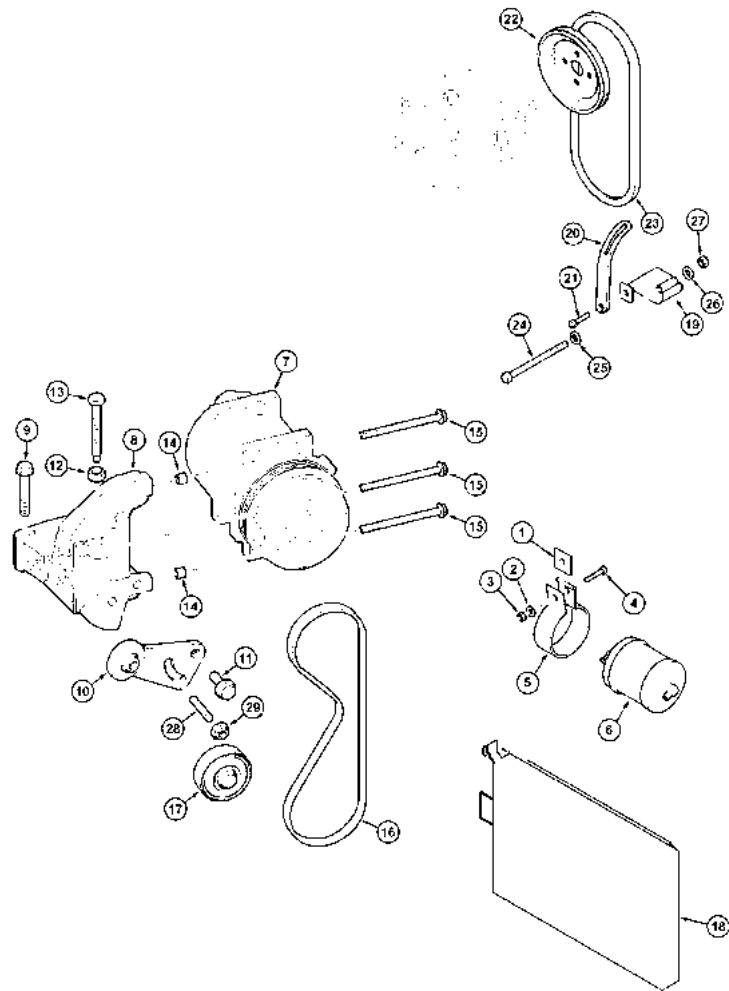
2 - Engine

2 -
025

AIR CONDITIONER, COMPRESSOR AND CONDENSER

XTX Series XTX185, XTX200, XTX215 (2005-2007)

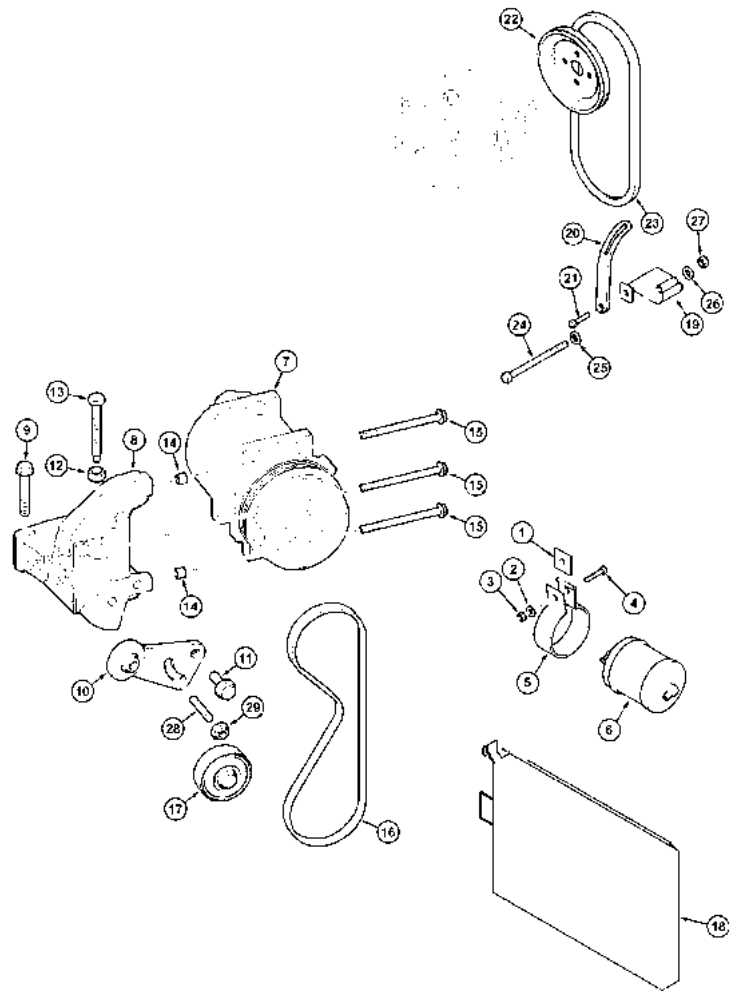
2025



- | | | | |
|----|-----------------|---|------------------|
| 1 | T103390 | 1 | WASHER |
| 2 | 895-11010 | 1 | WASHER |
| 3 | 825-1408 | 1 | NUT |
| 4 | 614-8035 | 1 | SCREW |
| 5 | T102980 | 1 | CLAMP |
| 6 | 1990758C2 | 1 | CHUTE |
| 7 | 1999755C3 | 1 | COMPOUND |
| 7 | 710145A1 | 1 | COMPRESSOR |
| 8 | 710242A1 | 1 | Support Assy |
| 9 | 705020A1 | 3 | ELBOW |
| 10 | 710243A1 | 1 | TENSIONER |
| 11 | 706310A1 | 3 | SCREW |
| 12 | 706312A1 | 3 | Nut |
| 13 | 705078A1 | 1 | SCREW |
| 14 | 704822A1 | 2 | STUD |
| 15 | 704569A1 | 3 | ELBOW |
| | ● 3688938M2 (3) | | |
| 16 | 710176A1 | 1 | TURBOCHARGE
R |
| 17 | 708802A1 | 1 | PULLEY |
| 18 | 708879A1 | 1 | Condenser |
| 19 | 701508A2 | 1 | Bracket Assy |

XTX Series XTX185, XTX200, XTX215 (2005-2007)

2025



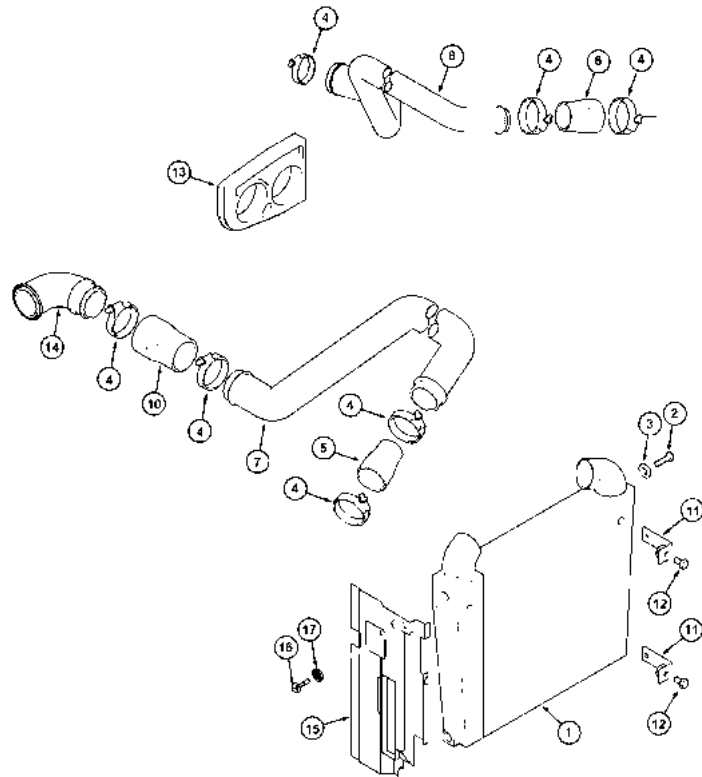
- | | | | |
|----|-----------|---|--------------|
| 20 | 701741A1 | 1 | Brace |
| 21 | 844-10030 | 1 | BOLT |
| 22 | 701469A1 | 1 | PULLEY |
| 23 | 701747A1 | 1 | BELT |
| 24 | 814-10130 | 2 | BOLT |
| 25 | 3120737R1 | 4 | WASHER |
| 26 | 892-11010 | 0 | Washer, Lock |
| 27 | 825-1410 | 2 | NUT |
| 28 | 712178A1 | 1 | STUD |
| 29 | 712179A1 | 1 | NUT |

● 3688949M1 (1)

- M8; 8
- M10
- M8 x 35; 8,8
- M10; 8
- 11 x 21 x 2 mm
- M10 x 30
- M10 x 130; 8,8
- See Page(s): 2-21
- M8 x 100 mm
- M10 x 80 mm
- #XTX215
- #XTX185, XTX200
- 990 mm

XTX Series XTX185, XTX200, XTX215 (2005-2007)

2027



- | | | | | |
|----|-----------|----------|---|-----------|
| 1 | 437066A1 | | 1 | COOLER |
| 2 | 614-8012 | | 2 | BOLT |
| 3 | 895-11008 | | 2 | WASHER |
| 4 | 700747A1 | | 8 | CLAMP |
| 5 | 711452A1 | | 1 | HYDR HOSE |
| 6 | 711467A1 | | 1 | HYDR HOSE |
| 7 | 711444A1 | | 1 | PIPE |
| 8 | 712495A1 | In ferro | 1 | PIPE |
| 10 | 711456A1 | | 1 | HYDR HOSE |
| 11 | 450497A1 | | 2 | STIRRUP |
| 12 | 844-8012 | | 2 | BOLT |
| 13 | 711462A1 | | 1 | RING |
| 14 | 711443A1 | | 1 | ELBOW |
| 15 | 451492A2 | | 1 | Cover |
| 16 | 701184A1 | | 2 | SCREW |
| 17 | 701185A1 | | 2 | WASHER |

9 x 17 x 1,6 mm

M8 x 12; 8,8

M6 x 24

70 - 92 mm

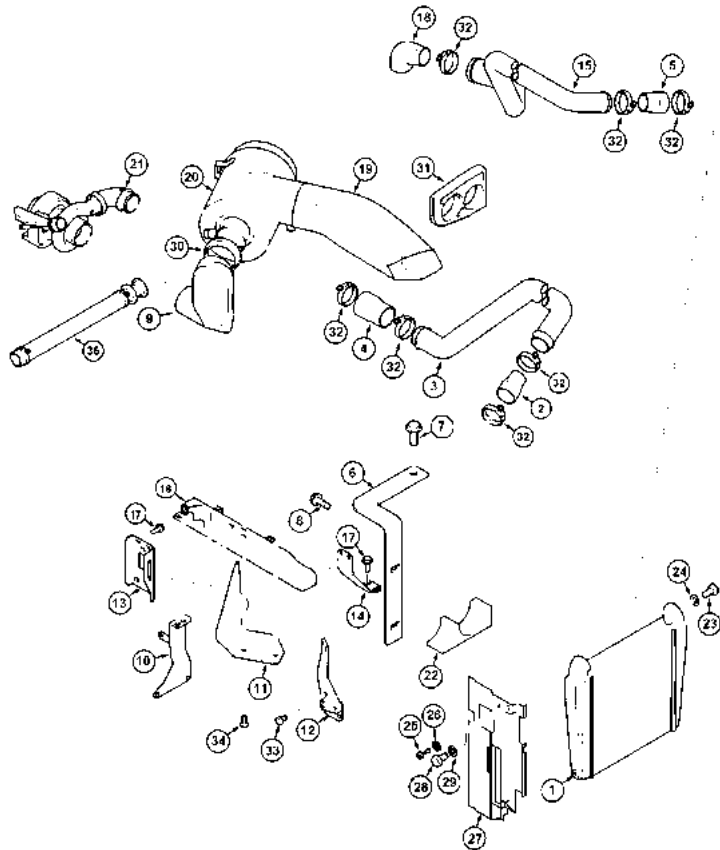
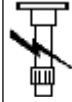
2 - Engine

2 -
029

CONDENSER COOLER - XTX215

XTX Series XTX185, XTX200, XTX215 (2005-2007)

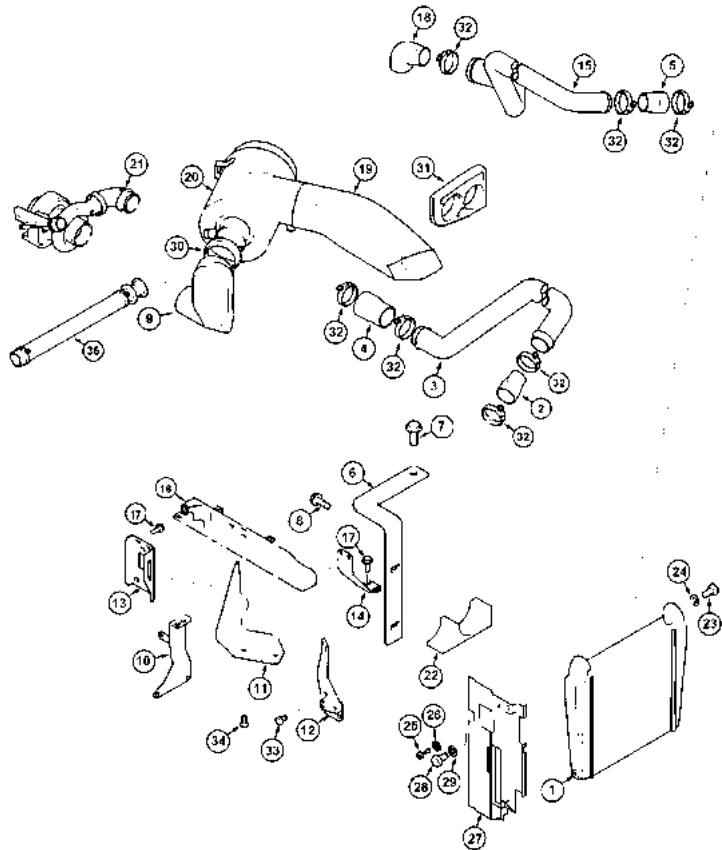
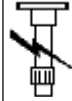
2029



- | | | | |
|----|-----------|---|---|
| 1 | 437066A1 | 1 | COOLER |
| 2 | 711452A1 | 1 | HYDR HOSE |
| 3 | 711444A1 | 1 | PIPE |
| 4 | 711456A1 | 1 | HYDR HOSE |
| 5 | 711467A1 | 1 | HYDR HOSE |
| 6 | 701625A1 | 1 | SUPPORT |
| 7 | 844-8016 | 1 | BOLT |
| 8 | 844-8012 | 2 | BOLT |
| 9 | 701489A1 | 1 | PIPE |
| 10 | 701696A2 | 1 | Bracket Assy |
| 11 | 701708A3 | 1 | Bracket Assy |
| 12 | 701705A1 | 1 | Bracket Assy |
| 13 | 701711A1 | 1 | Bracket Assy |
| 14 | 701704A1 | 1 | Bracket |
| 15 | 712496A1 | 1 | PIPE |
| 16 | 701698A2 | 1 | Bracket Assy |
| 17 | 844-10030 | 0 | BOLT |
| 18 | 712494A1 | 1 | HOSE |
| 18 | 713066A1 | | TIER 2, CUMMIN
ENGINE
TIER 3, IVECO
ENGINE |
| 19 | 701573A1 | 1 | DUCT |
| 20 | 701519A2 | 1 | Filter Assy |
| 21 | 448875A2 | 1 | Duct |
| 22 | 445723A1 | 1 | SEAL |
| 23 | 614-8012 | 2 | BOLT |
| 24 | 895-11008 | 2 | WASHER |
| 25 | 701184A1 | 2 | SCREW |
| 26 | 701185A1 | 2 | WASHER |

XTX Series XTX185, XTX200, XTX215 (2005-2007)

2029



- | | | | | |
|----|-----------|----------------|---|-----------|
| 27 | 451492A2 | | 1 | Cover |
| 28 | 614-6020 | ● 339666X1 (2) | 2 | BOLT |
| 29 | 895-11006 | ● 390971X1 (2) | 2 | WASHER |
| 30 | 701581A1 | | 1 | Reducer |
| 31 | 711462A1 | | 1 | RING |
| 32 | 700747A1 | | 8 | CLAMP |
| 33 | 844-8050 | | 3 | SCREW |
| 34 | 844-8050 | | 6 | SCREW |
| 35 | 442235A1 | | 1 | Hose Assy |

- M8 x 16; 8,8
- 6,6 x 12 x 1,6 mm
- 9 x 17 x 1,6 mm
- M8 x 12; 8,8
- M6 x 24
- M6 x 20; 8,8
- M10 x 30
- Supply
- Pneumatic Trailer Brake
- 70 - 92 mm
- M8 x 50; 8.8

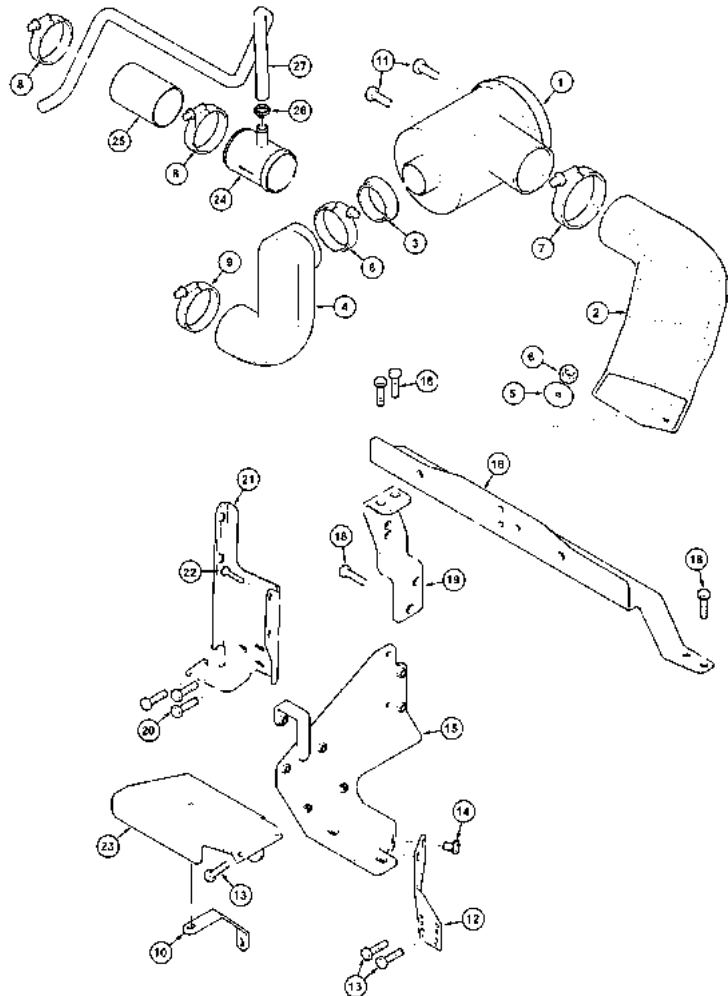
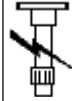
2 - Engine

2 -
031

AIR CLEANER - MOUNTING - Without Air Brake - XTX185, XTX200

XTX Series XTX185, XTX200, XTX215 (2005-2007)

2031



- | | | | | |
|----|-----------|----------------|---|--------------|
| 1 | 701519A2 | | 1 | Filter Assy |
| 2 | 701573A1 | | 1 | DUCT |
| 3 | 701581A1 | | 1 | Reducer |
| 4 | 710560A1 | | 1 | Hose Assy |
| | | | | |
| 5 | 436834A1 | | 1 | PLATE |
| 6 | 825-2408 | | 1 | NUT |
| 7 | 214-31112 | | 1 | CONNECTOR |
| 8 | 214-1472 | | 3 | CLAMP |
| 9 | 214-1488 | | 1 | CLAMP |
| 10 | 709034A1 | | 1 | SUPPORT |
| 11 | 844-10025 | | 4 | BOLT |
| 12 | 709033A1 | | 1 | SUPPORT |
| 13 | 844-8020 | ● 2314H003 (8) | 8 | BOLT |
| | | | | |
| 14 | 844-10030 | | 2 | BOLT |
| 15 | 709031A1 | | 1 | Bracket Assy |
| 16 | 709001A1 | | 1 | SUPPORT |
| 18 | 844-10030 | | 6 | BOLT |
| 19 | 704081A2 | ● 704081A3 (1) | 1 | Bracket Assy |
| 20 | 844-8025 | ● 2314H004 (3) | 3 | BOLT |

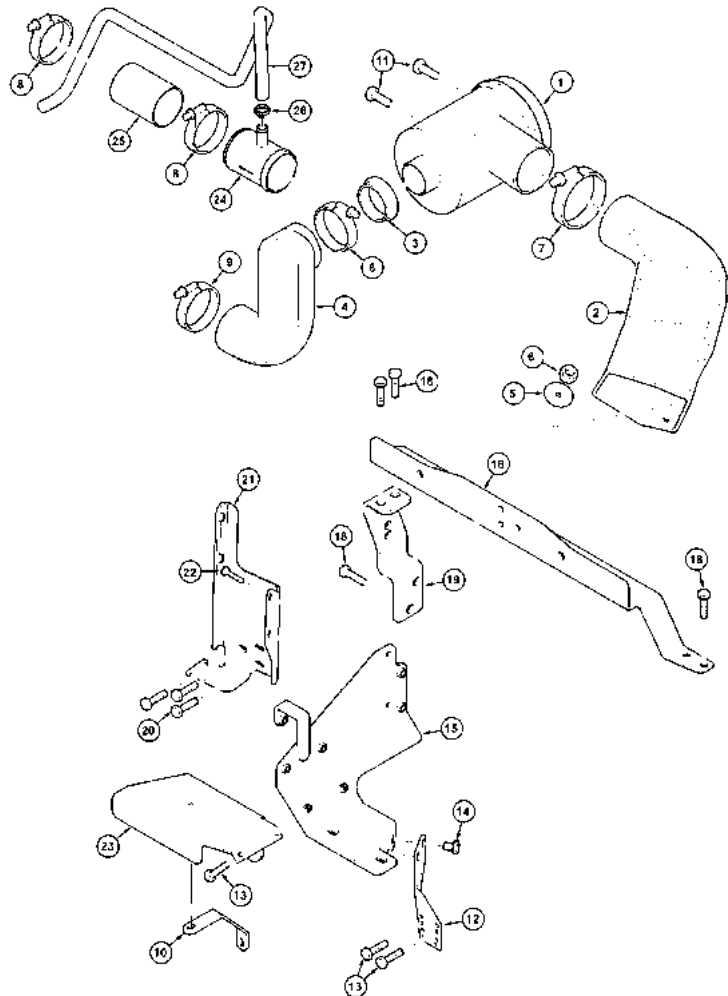
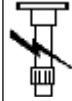
2 - Engine

2 -
031

AIR CLEANER - MOUNTING - Without Air Brake - XTX185, XTX200

XTX Series XTX185, XTX200, XTX215 (2005-2007)

2031



- | | | | |
|----|-----------|---|--------------|
| 21 | 702694A1 | 1 | Bracket Assy |
| 22 | 844-10025 | 2 | BOLT |
| 23 | 709054A1 | 1 | SUPPORT |
| 24 | 710471A1 | 1 | PIPE |
| 25 | 710475A1 | 1 | HOSE |
| 26 | 214-1410 | 1 | CLAMP |
| 27 | 710477A1 | 1 | HYDR HOSE |

M8; 8

M8 x 25; 8,8

M8 x 20; 8,8

Intake

M10 x 25; 8,8

9/16 - 1-1/16

Turbocharger

M10 x 30

See Page(s): 2-35

6 1/4 - 7 1/8

4-1/16 - 5

5-1/8 - 6

77 mm

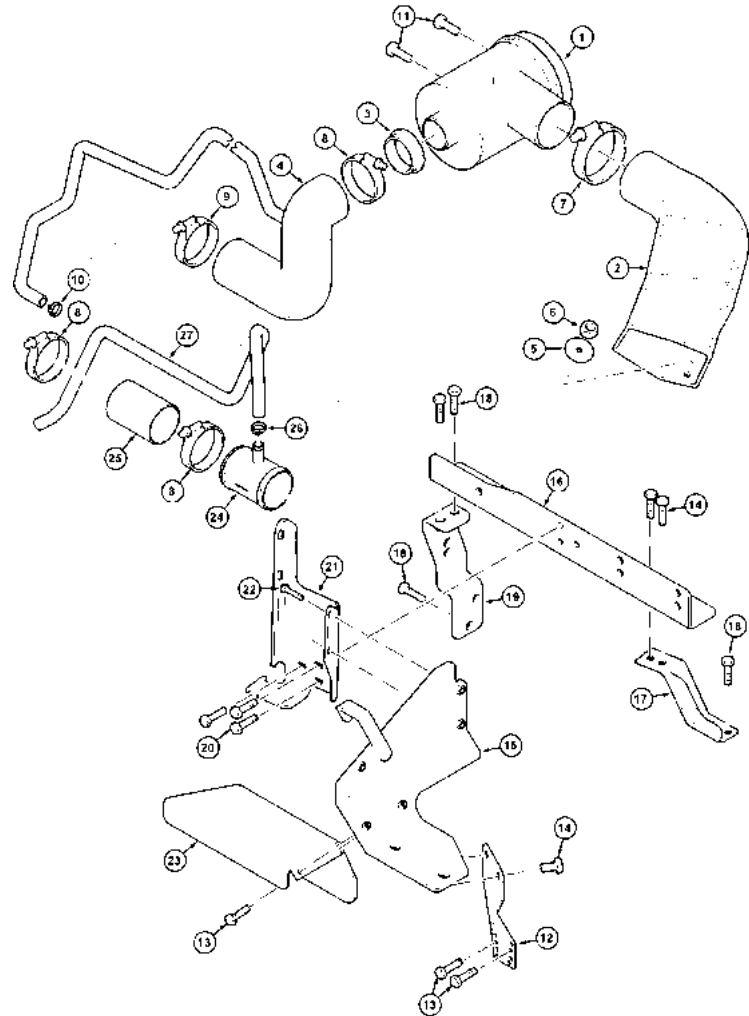
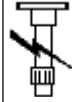
2 - Engine

2 -
033

AIR CLEANER - MOUNTING - With Air Brake - XTX185, XTX200

XTX Series XTX185, XTX200, XTX215 (2005-2007)

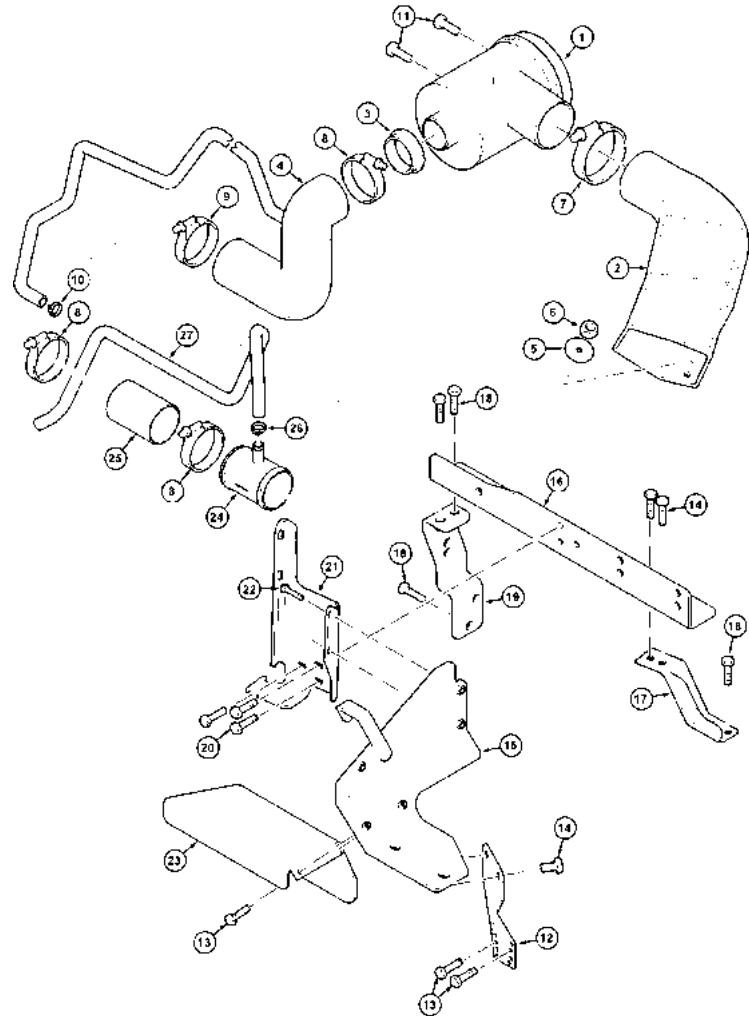
2033



- | | | | |
|----|-----------|---|--------------|
| 1 | 701519A2 | 1 | Filter Assy |
| 2 | 701573A1 | 1 | DUCT |
| 3 | 701581A1 | 1 | Reducer |
| 4 | 710508A1 | 1 | Hose Assy |
| 5 | 436834A1 | 1 | PLATE |
| 6 | 825-2408 | 1 | NUT |
| 7 | 214-31112 | 1 | CONNECTOR |
| 8 | 214-1472 | 1 | CLAMP |
| 9 | 214-1488 | 1 | CLAMP |
| 10 | 214-1420 | 1 | CLAMP |
| 11 | 844-10025 | 4 | BOLT |
| 12 | 701987A1 | 1 | Bracket |
| 13 | 844-8020 | 6 | BOLT |
| 14 | 844-10020 | 4 | BOLT |
| 15 | 704424A1 | 1 | Bracket Assy |
| 16 | 701983A1 | 1 | Angle Plate |
| 17 | 701780A1 | 1 | Bracket Assy |
| 18 | 844-10030 | 6 | BOLT |
| 19 | 704081A2 | 1 | Bracket Assy |
- 2314H003 (6)
- 704081A3 (1)

XTX Series XTX185, XTX200, XTX215 (2005-2007)

2033



- | | | | | |
|----|-----------|----------------|---|--------------|
| 20 | 844-8025 | ● 2314H004 (3) | 3 | BOLT |
| 21 | 702694A1 | | 1 | Bracket Assy |
| 22 | 844-10025 | | 2 | BOLT |
| 23 | 704362A1 | | 1 | GUARD |
| 24 | 710471A1 | | 1 | PIPE |
| 25 | 710475A1 | | 1 | HOSE |
| 26 | 214-1410 | | 1 | CLAMP |
| 27 | 710477A1 | | 1 | HYDR HOSE |

M8; 8

M8 x 25; 8,8

M8 x 20; 8,8

M10 x 20; 8,8

Intake

M10 x 25; 8,8

9/16 - 1-1/16

Turbocharger

M10 x 30

See Page(s): 2-35

6 1/4 - 7 1/8

13/16 - 1-3/4

4-1/16 - 5

5-1/8 - 6

77 mm

2 - Engine

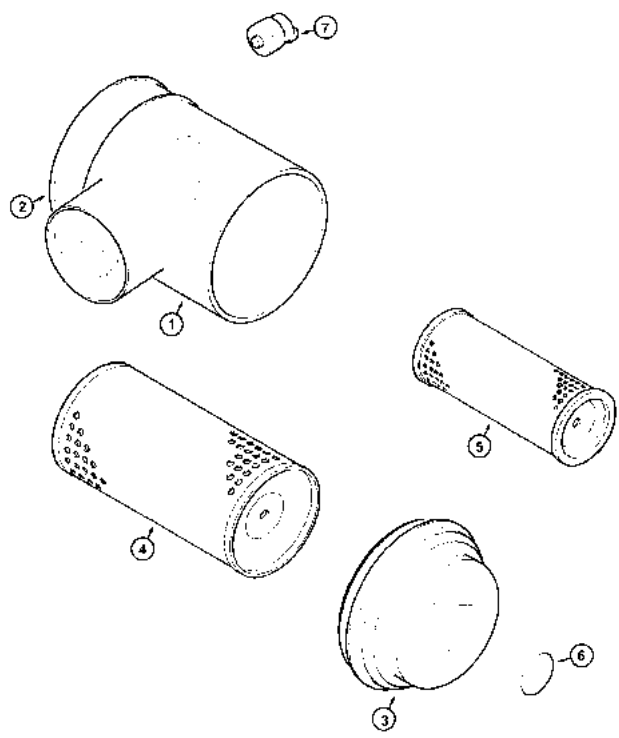
2 -
035

AIR CLEANER

XTX Series XTX185, XTX200, XTX215 (2005-2007)



2035



- | | | | |
|---|----------|---|-------------|
| 1 | 701519A2 | 1 | Filter Assy |
| 2 | NSS | 1 | Cover Assy |
| 3 | NSS | 1 | Cover Assy |
| 4 | 701517A1 | 1 | FILTER |
| 5 | 701518A1 | 1 | FILTER |
| 6 | NSS | 1 | Decal |
| 7 | 279492A1 | 1 | SWITCH |

Primary

Secondary

Includes: 2 - 6

See Page(s): 4-5,11

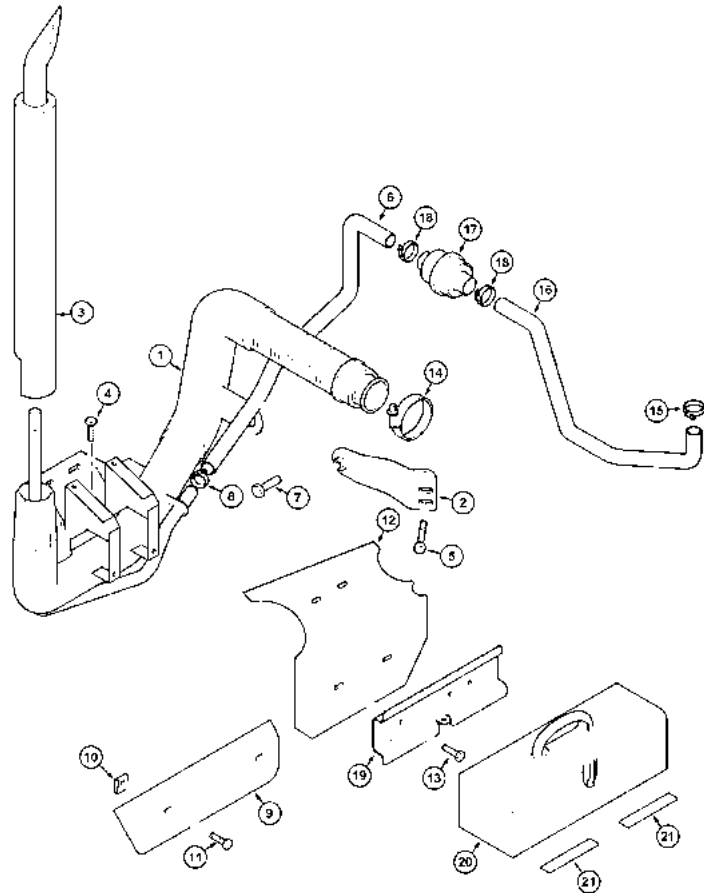
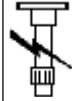
2 - Engine

2 -
037

VERTICAL EXHAUST - XTX185, XTX200

XTX Series XTX185, XTX200, XTX215 (2005-2007)

2037



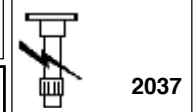
- | | | | | | |
|----|-----------|---|--------------|---|-----------|
| 1 | 711092A1 | ● | 711092A2 (1) | 1 | PIPE |
| 2 | 706131A1 | ● | 706131A2 (1) | 1 | STIRRUP |
| 3 | 701646A2 | | | 1 | Muffler |
| 4 | 844-12035 | | | 5 | BOLT |
| 5 | 844-12025 | | | 2 | BOLT |
| 6 | 702680A1 | | | 1 | Hose |
| 7 | 844-12025 | | | 1 | BOLT |
| 8 | 214-1420 | | | 1 | CLAMP |
| 9 | 702966A1 | | | 1 | Panel |
| 10 | 96900C1 | | | 2 | NUT FNS |
| 11 | 1975782C1 | | | 2 | BOLT |
| 12 | 702880A1 | | | 1 | Shield |
| 13 | 844-8016 | | | 4 | BOLT |
| 14 | A170467 | | | 1 | CLAMP |
| 15 | 214-1440 | | | 1 | CLAMP |
| 16 | 702597A1 | | | 1 | Hose |
| 17 | 307123A1 | | | 1 | VALVE |
| 18 | 214-1432 | | | 2 | CLAMP |
| 19 | 709543A1 | | | 1 | SUPPORT |
| 20 | 700082A2 | | | 1 | Box, Tool |
| 21 | 326577A1 | | | 2 | GASKET |

2 - Engine

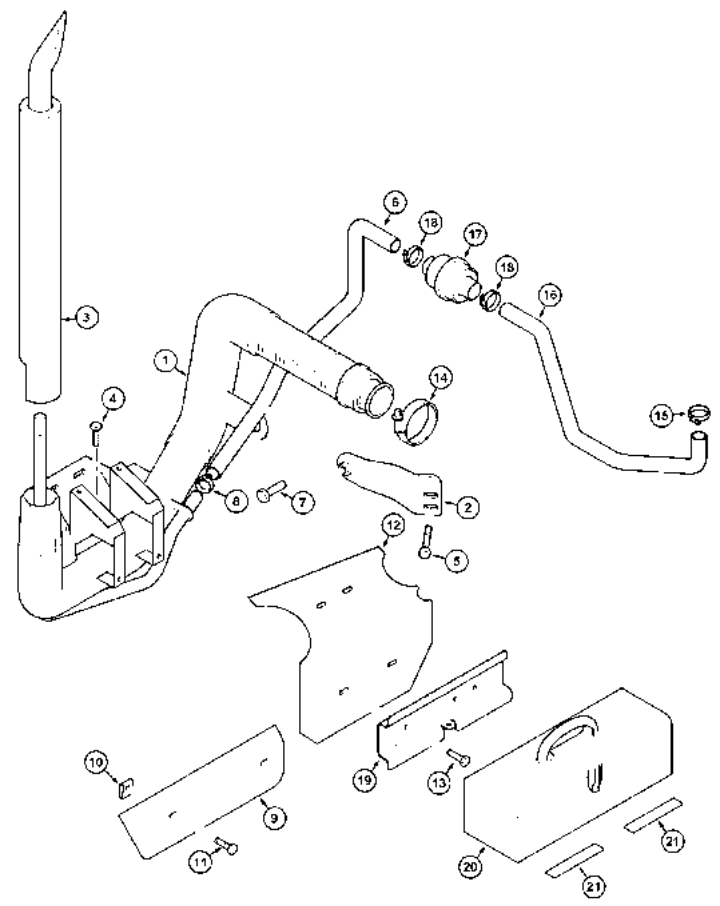
2 -
037

VERTICAL EXHAUST - XTX185, XTX200

XTX Series XTX185, XTX200, XTX215 (2005-2007)



2037



- 1-9/16 x 2-1/2
- 2-1/16 - 3
- M8 x 16; 8,8
- No. 10
- M12 x 35; 8,8
- Lower Right
- 150 mm
- No.10 st x 5/8
- 13/16 - 1-3/4
- 561 mm
- M12 x 25

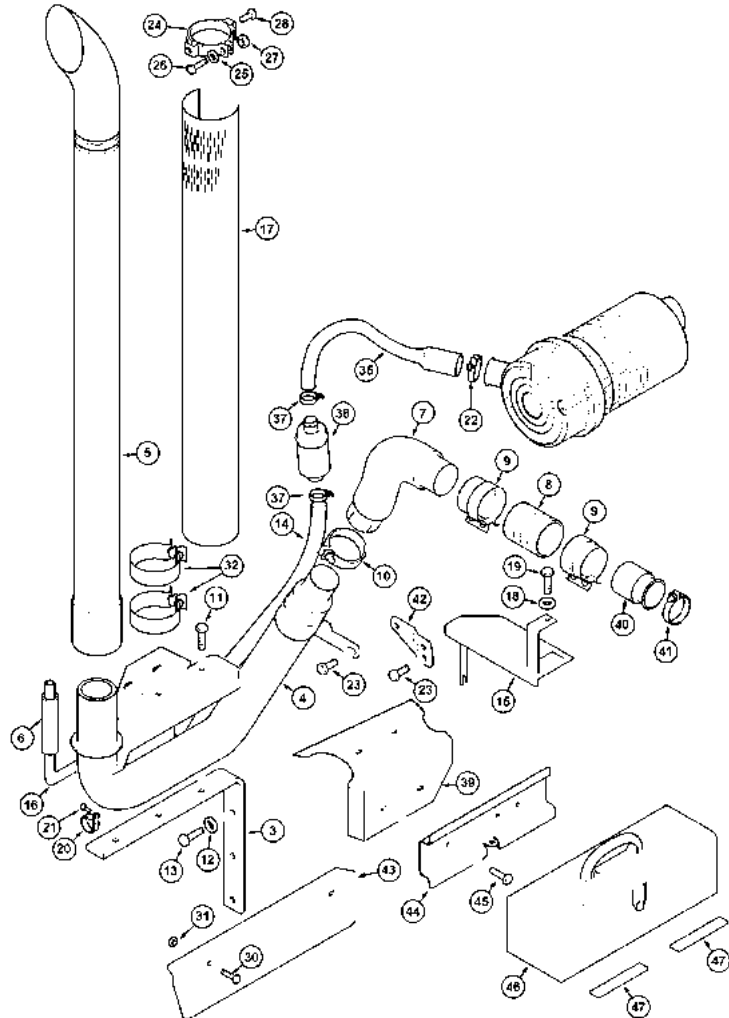
2 - Engine

2 -
039

VERTICAL EXHAUST - XTX215

XTX Series XTX185, XTX200, XTX215 (2005-2007)

2039



- | | | | | |
|----|-----------|--------------------|---|--------------|
| 3 | 199326A1 | | 1 | SUPPORT |
| 4 | 701647A1 | ● 701647A2 (1) | 1 | PIPE |
| 5 | 701646A2 | | 1 | Muffler |
| 6 | 701645A2 | | 1 | EXHAUST PIPE |
| 7 | 247580A2 | | 1 | SLEEVE |
| 8 | 195773A2 | | 1 | EXHAUST PIPE |
| 9 | 197008A1 | | 2 | CLAMP |
| 10 | 180300A1 | | 1 | CLAMP |
| 11 | 844-12035 | | 5 | BOLT |
| 12 | 896-11016 | ● 3019575X1 (1) | 1 | WASHER |
| 13 | 627-16040 | ● 3010577X1 (1) | 1 | BOLT |
| 14 | 701644A2 | | 1 | EXHAUST PIPE |
| 15 | 701575A1 | ● 701575A1N (1) | 1 | Bracket Assy |
| 16 | 310520A1 | | 1 | PIPE |
| 17 | 222763A2 | | 1 | COWL |
| 18 | 895-18010 | ● 003555011250 (1) | 1 | WASHER |
| 19 | 614-10020 | | 1 | BOLT |
| 20 | 515-27317 | | 2 | CLAMP |
| 21 | 905-8016 | | 2 | BOLT |
| 22 | 214-1440 | | 1 | CLAMP |
| 23 | 844-12025 | | 3 | BOLT |

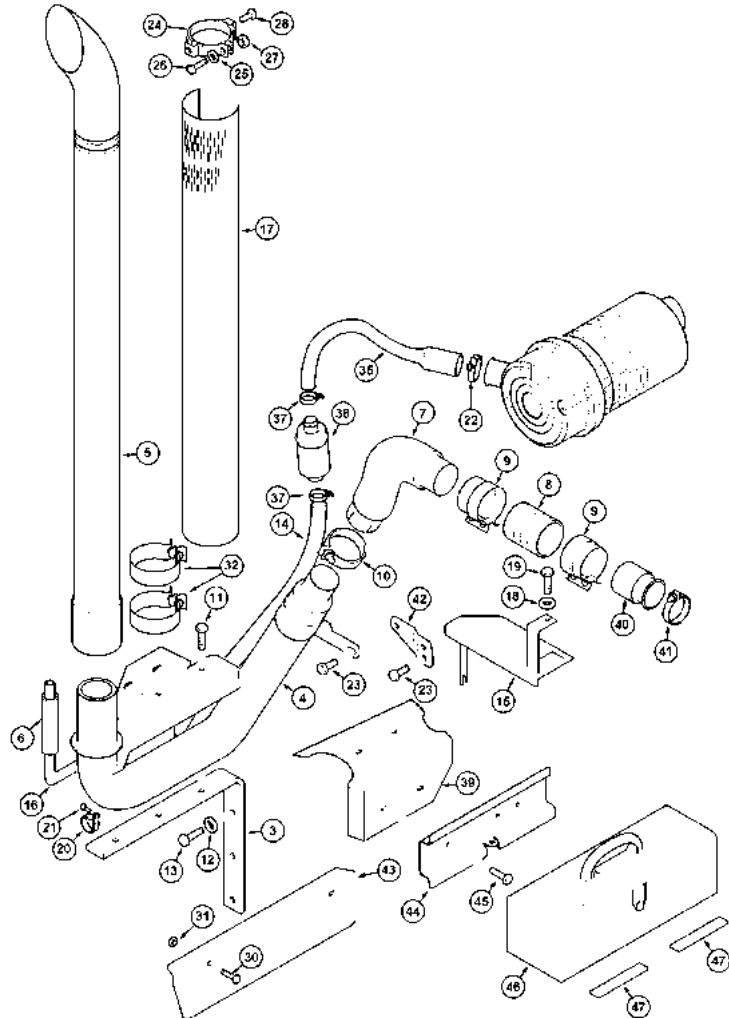
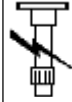
2 - Engine

2 -
039

VERTICAL EXHAUST - XTX215

XTX Series XTX185, XTX200, XTX215 (2005-2007)

2039



24 124420A1
25 895-11008
26 614-8030
26 614-8045
27 825-2408
28 243675A1
30 1975782C1
31 96900C1
32 A173381
35 451590A1
36 307123A1
37 214-1432
39 701648A1
40 196342A1
41 A170467
42 701897A1
43 702966A1
44 709543A1
45 844-8016
46 700082A2
47 326577A1

2 CLAMP
2 WASHER
2 BOLT
2 BOLT
2 NUT
4 BOLT
0 BOLT
0 NUT FNS
0 Clamp
1 EXHAUST PIPE
1 VALVE
2 CLAMP
1 Shield
1 ACTUATOR
1 CLAMP
1 Bracket Assy
1 Panel
1 SUPPORT
2 BOLT
1 Box, Tool
2 GASKET

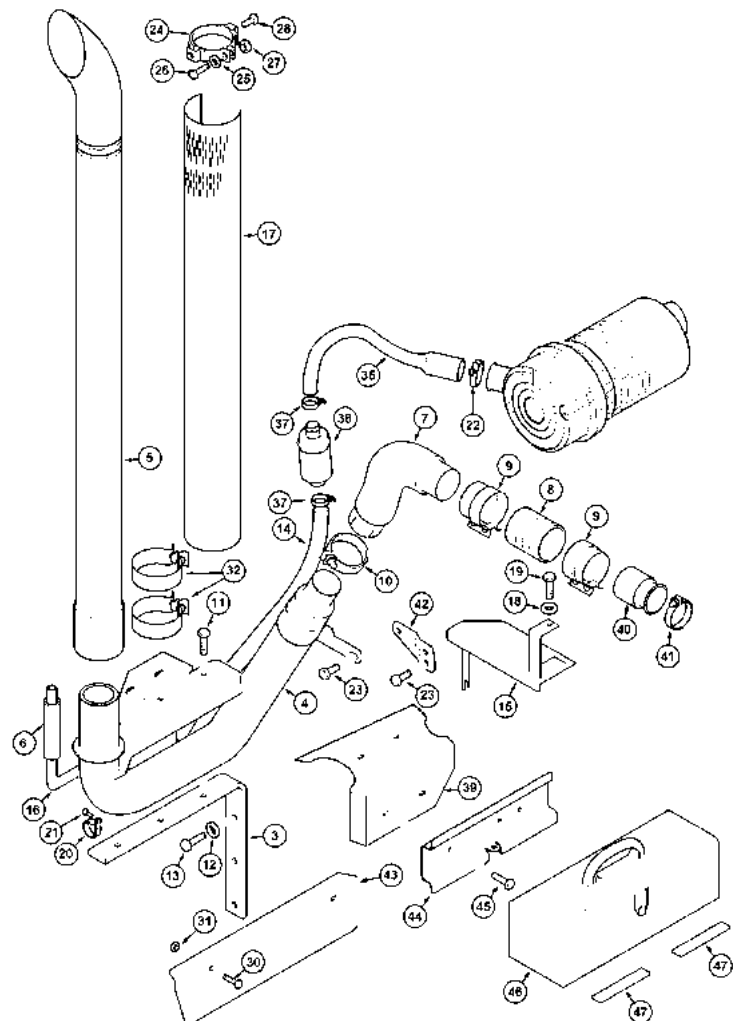
2 - Engine

2 -
039

VERTICAL EXHAUST - XTX215

XTX Series XTX185, XTX200, XTX215 (2005-2007)

2039



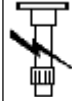
- 1-9/16 x 2-1/2
- 2-1/16 - 3
- M8 x 16; 8,8
- M8; 8
- 9 x 17 x 1,6 mm
- M10 x 20; 8,8
- Europe Only
- No. 10
- 11 x 18 x 1,6 mm
- 17,5 x 30 x 4 mm
- 2 x 12 mm
- M8 x 30; 8,8
- M12 x 35; 8,8
- M8 x 45; 8,8
- M8 x 16
- 150 mm
- No.10 st x 5/8
- M16 x 40; 10,9
- M12 x 25

2 - Engine

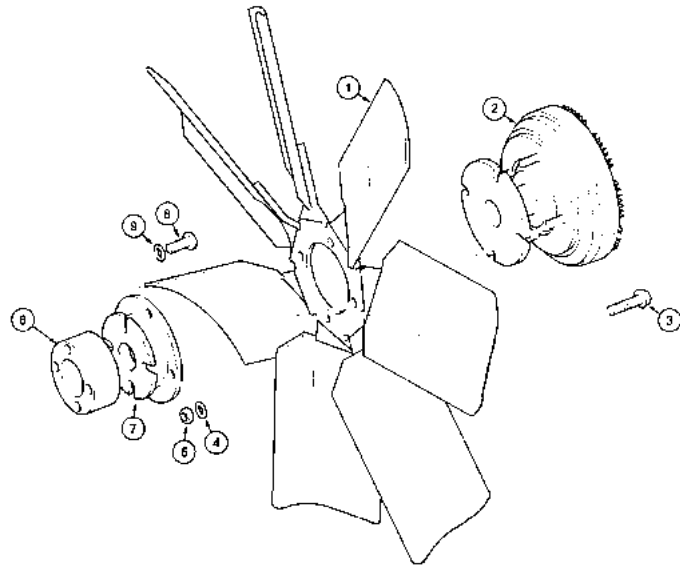
2 -
041

FAN DRIVE

XTX Series XTX185, XTX200, XTX215 (2005-2007)



2041



1	428741A1	● N.L.A. (1) N.L.S. (1)	1 FAN
1	710170A1		1 FAN
2	451503A1		1 CLUTCH
3	844-8025	● 2314H004 (4)	4 BOLT
4	895-15008		4 WASHER
5	829-1408		4 NUT
6	701817A2		1 Spacer
6	711997A1		1 Spacer
7	711109A1	● 3009206X1 (4) 6511886M1 (1)	1 ADAPTOR
8	814-10065		4 BOLT
8	844-10075		4 Bolt

2 - Engine

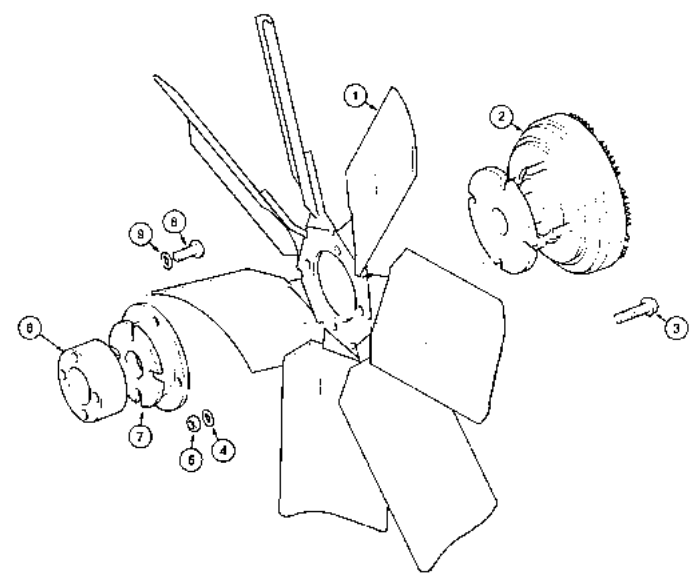
2 -
041

FAN DRIVE

XTX Series XTX185, XTX200, XTX215 (2005-2007)



2041



- 9 895-11010 M8 x 25; 8,8
 - M8; 10
 - 11 x 21 x 2 mm
 - 9 x 20 x 1,6 mm
 - M10 x 65; 8.8
 - M10 x 75; 8.8
 - 85 x 15mm
 - 575 mm
 - #XTX215
 - #XTX185, XTX200
 - 85 x 10mm
- 4 WASHER

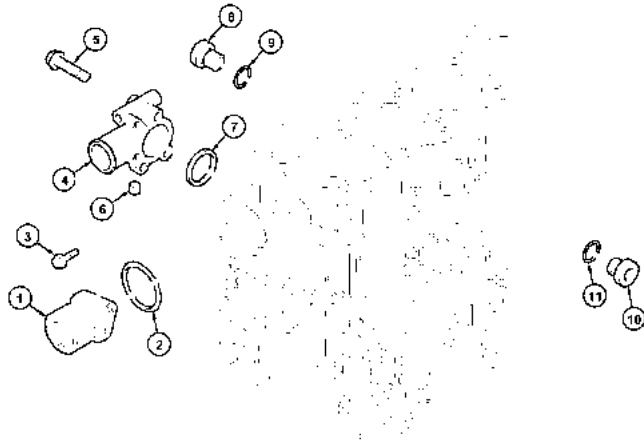
2 - Engine

2 -
043

WATER PUMP - XTX185, XTX200

XTX Series XTX185, XTX200, XTX215 (2005-2007)

2043



1	710239A1		1	PUMP
2	707445A1	● 3689033M1 (1)	1	SEAL
3	704984A1		2	BOLT
4	705259A1		1	SUPPORT
5	704801A1	● 3688774M2 (3)	3	ELBOW
6	704784A1		1	PLUG
7	707367A1	● 3689032M1 (2)	2	Seal
8	704850A1	● 3688780M1 (1)	1	Plug
9	707405A1		1	O RING
10	704578A1		1	PLUG
11	704555A1		1	SEAL

Includes: 9
Includes: 11
M18
M8 x 25 mm
M18 x 1,5
18 x 22 mm

2 - Engine

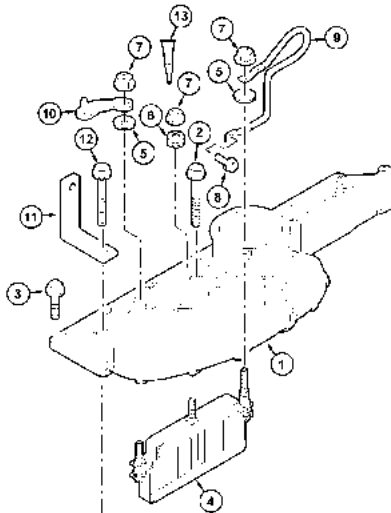
2 -
045

MANIFOLDS - INTAKE - XTX185, XTX200

XTX Series XTX185, XTX200, XTX215 (2005-2007)



2045



- | | | | | |
|----|----------|-----------------|---|-----------|
| 1 | 704900A1 | | 1 | COLLET |
| 1 | 713797A1 | | 1 | MANIFOLD |
| 2 | 704858A1 | | 1 | ELBOW |
| 3 | 704990A1 | ● 3688850M1 (7) | 7 | ELBOW |
| 4 | 704612A1 | | 1 | Heater |
| 5 | 704745A1 | | 2 | WASHER |
| 6 | 704948A1 | | 2 | SPACER |
| 7 | 707348A1 | | 3 | Nut |
| 8 | 704997A1 | | 1 | ELBOW |
| 9 | 705219A1 | | 1 | CABLE |
| 10 | 704898A1 | | 1 | Connector |
| 11 | 705153A1 | | 1 | STIRRUP |
| 12 | 704991A1 | | 2 | ELBOW |
| 13 | TBA | | 1 | LOCTITE |

M6

6 mm

M8 x 25 mm

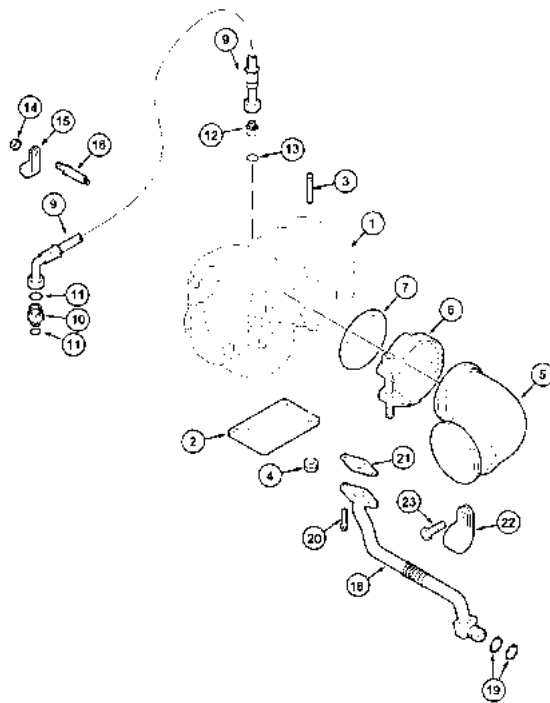
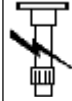
M8 x 17 mm

Engine No.: - 158927

Engine No.: 158928 -

XTX Series XTX185, XTX200, XTX215 (2005-2007)

2049



- | | | | | |
|----|----------|------------------|---|------------------|
| 1 | 705286A1 | | 1 | TURBOCHARGE
R |
| 2 | 704792A1 | | 1 | GASKET |
| 3 | 705008A1 | | 4 | STUD |
| 4 | 705009A1 | | 4 | NUT |
| 5 | 711443A1 | | 1 | ELBOW |
| 6 | 705127A1 | ● 3684506M91 (1) | 1 | SCREW |
| 7 | 705010A1 | | 1 | RING |
| 9 | 711759A1 | ● 3689065M1 (1) | 1 | PIPE |
| 10 | 704793A1 | ● 3688771M1 (1) | 1 | INSERT |
| 11 | 707420A1 | ● 3688864M1 (1) | 1 | O RING |
| 11 | 707421A1 | ● 3688865M2 (1) | 1 | O RING |
| 12 | TBA | | 1 | Connector |
| 13 | TBA | | 1 | O-Ring |
| 14 | 706306A1 | | 1 | Nut |
| 15 | 706304A1 | | 1 | Clip |
| 16 | 706318A1 | ● 3689104M1 (1) | 1 | Screw Assy |
| 18 | 707397A1 | | 1 | PIPE |
| 19 | 706307A1 | ● 3688995M1 (2) | 2 | O RING |
| 20 | 704984A1 | | 2 | BOLT |
| 21 | 707389A1 | | 1 | GASKET |
| 22 | 704905A1 | | 1 | STIRRUP |
| 23 | 707366A1 | ● 3688944M1 (1) | 1 | Bolt |

Includes: 11

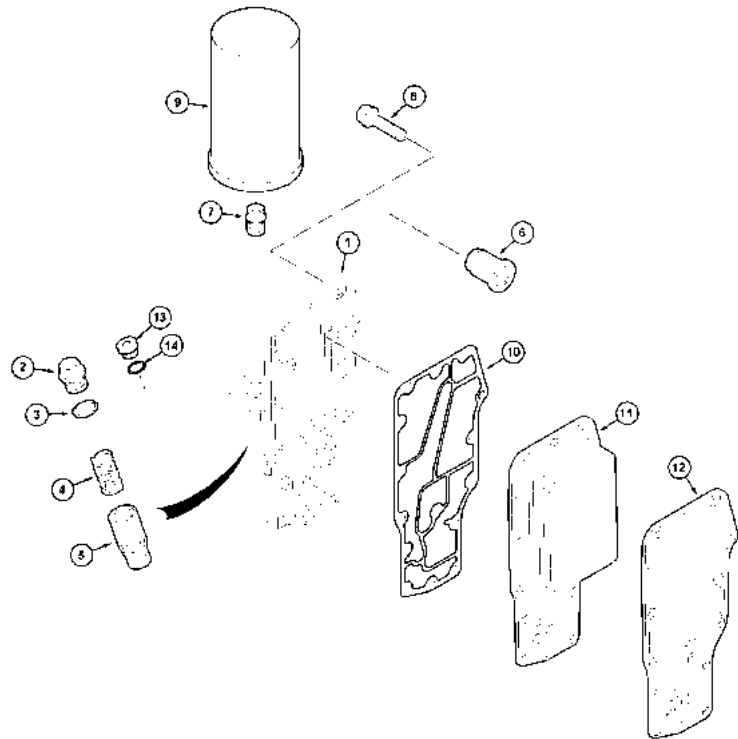
Includes: 19

M12 x 25

M8 x 25 mm

XTX Series XTX185, XTX200, XTX215 (2005-2007)

2051



- | | | | | | |
|----|----------|---|---------------|----|---------|
| 1 | 705234A1 | ● | 704769A1 (1) | 1 | Housing |
| | | | 704888A1 (1) | | |
| | | | 704986A1 (1) | | |
| | | | 708989A1 (1) | | |
| | | | 704890A1 (1) | | |
| | | | 705236A1 (1) | | |
| 1 | 705236A1 | | | 1 | HOUSING |
| 2 | 704768A1 | ● | 708989A1 (1) | 1 | PLUG |
| 3 | 704986A1 | | | 1 | O RING |
| 4 | 704769A1 | | | 1 | SPRING |
| 5 | 704888A1 | | | 1 | VALVE |
| 6 | 704890A1 | | | 1 | VALVE |
| 7 | 704732A1 | | | 1 | BUSH |
| 8 | 704981A1 | | | 10 | ELBOW |
| 9 | 707209A1 | | | 1 | FILTER |
| 10 | 707377A1 | ● | 711234A1 (1) | 1 | SEAL |
| 11 | 704889A1 | ● | 3689027M2 (1) | 1 | RELAY |
| 12 | 707373A1 | ● | 3688612M1 (1) | 1 | SEAL |
| 13 | 708989A1 | | | 1 | PLUG |
| 14 | TBA | | | 1 | O-Ring |
| 15 | 704569A1 | ● | 3688938M2 (2) | 2 | ELBOW |

2 - Engine

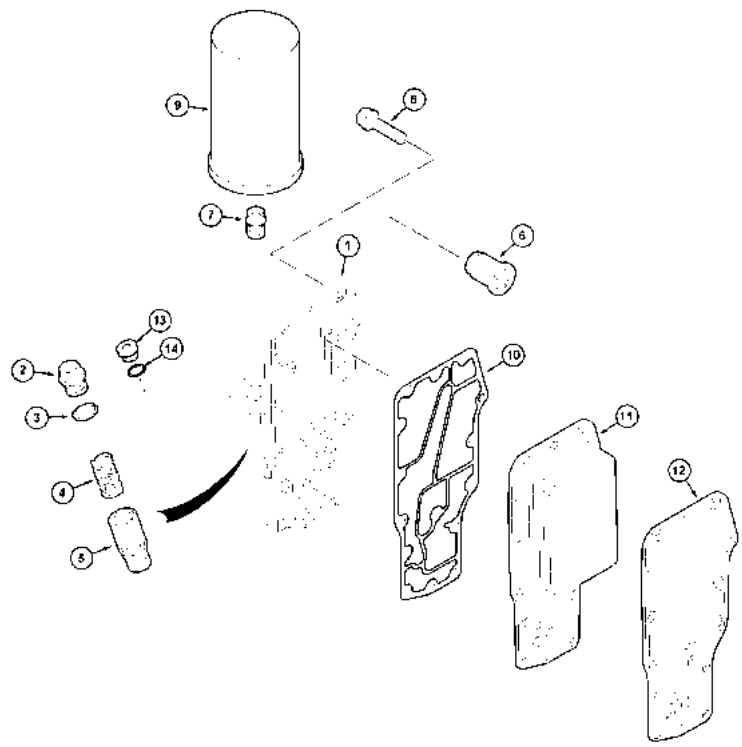
2 -
051

OIL FILTER AND COOLER - XTX185, XTX200

XTX Series XTX185, XTX200, XTX215 (2005-2007)



2051

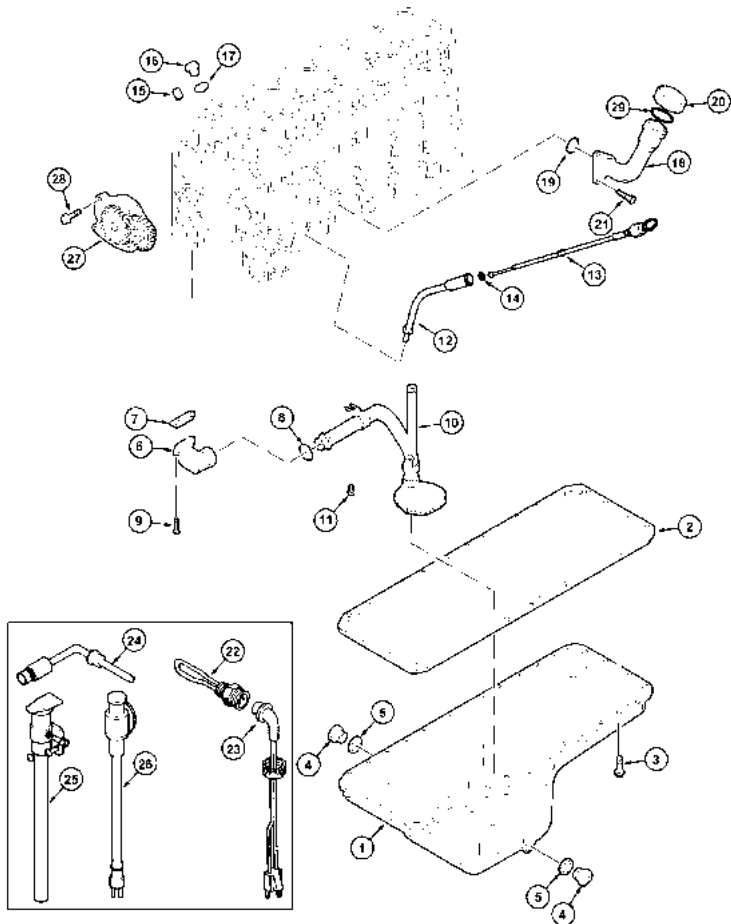
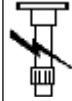


- 16 704991A1 3 ELBOW
 - Includes: 2 - 8
 - M8 x 100 mm
 - M8 x 35 mm
 - Engine No.: - 155899
 - Engine No.: 155900 -
 - NOT ILLUSTRATED

A

XTX Series XTX185, XTX200, XTX215 (2005-2007)

2053



- | | | | | |
|----|----------|-----------------|----|-----------|
| 1 | 705252A1 | | 1 | CRANKCASE |
| 2 | 705082A1 | | 1 | SEAL |
| 3 | 706309A1 | | 32 | Bolt |
| 4 | 707395A1 | ● 3688691M1 (2) | 2 | Plug |
| 5 | 707407A1 | ● 3688997M1 (2) | 2 | O-Ring |
| 6 | 705185A1 | | 1 | INSERT |
| 7 | 704957A1 | | 1 | SEAL |
| 8 | 704589A1 | | 1 | SEAL |
| 9 | 710626A1 | | 2 | SCREW |
| 10 | 705298A1 | | 1 | PIPE |
| 11 | 704827A1 | | 1 | ELBOW |
| 12 | 709603A1 | | 1 | PIPE |
| 13 | 712176A1 | ● 709602A1 (1) | 1 | DEEPSTICK |
| 14 | 704965A1 | | 1 | RING |
| 15 | 704987A1 | ● 3688782M1 (1) | 1 | PLUG |
| 16 | 704930A1 | | 1 | PLUG |
| 17 | 704869A1 | | 1 | O RING |
| 18 | 712175A1 | | 1 | PIPE |
| 19 | 707431A1 | | 1 | SEAL |
| 20 | 705344A1 | | 1 | PLUG |
| 21 | 707366A1 | ● 3688944M1 (2) | 2 | Bolt |

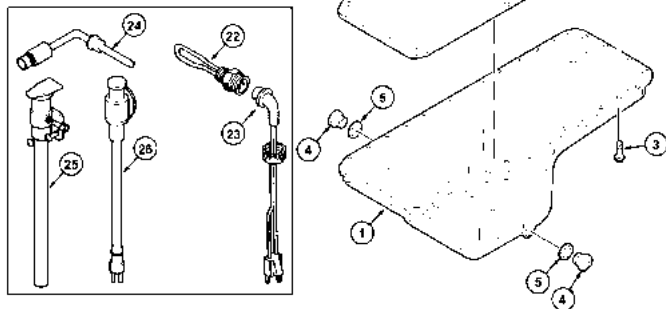
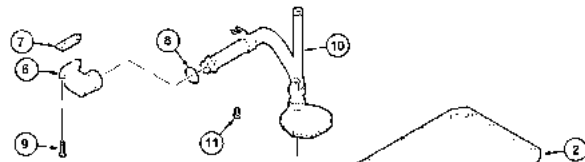
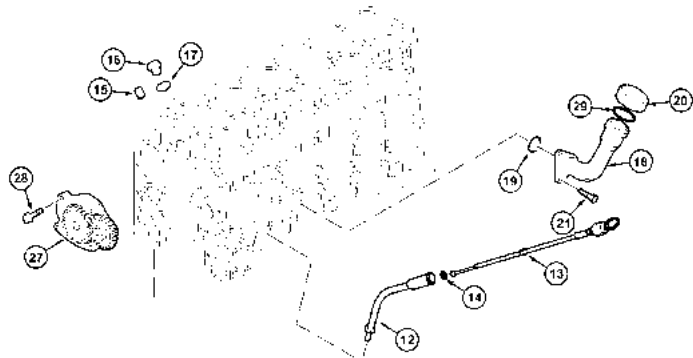
2 - Engine

2 -
053

OIL PUMP AND OIL PAN - XTX185, XTX200

XTX Series XTX185, XTX200, XTX215 (2005-2007)

2053



- | | | | |
|----|----------|---|---------|
| 22 | J904380 | 1 | RELAY |
| 23 | J905113 | 1 | CABLE |
| 24 | 706391A1 | 1 | Heater |
| 25 | 314722A1 | 1 | HARNESS |
| 26 | 314723A1 | 1 | Cable |
| 27 | 704933A1 | 1 | PUMP |
| 28 | 705012A1 | 4 | ELBOW |
| 29 | 713806A1 | 1 | O-Ring |

Includes: 12,14

Includes: 17

Includes: 29

M22 x 1,5

1829 mm (72 in)

M8 x 25

M12 x 25

M8 x 30 mm

26,64 mm ID

M10 x 20 x 1,5 mm

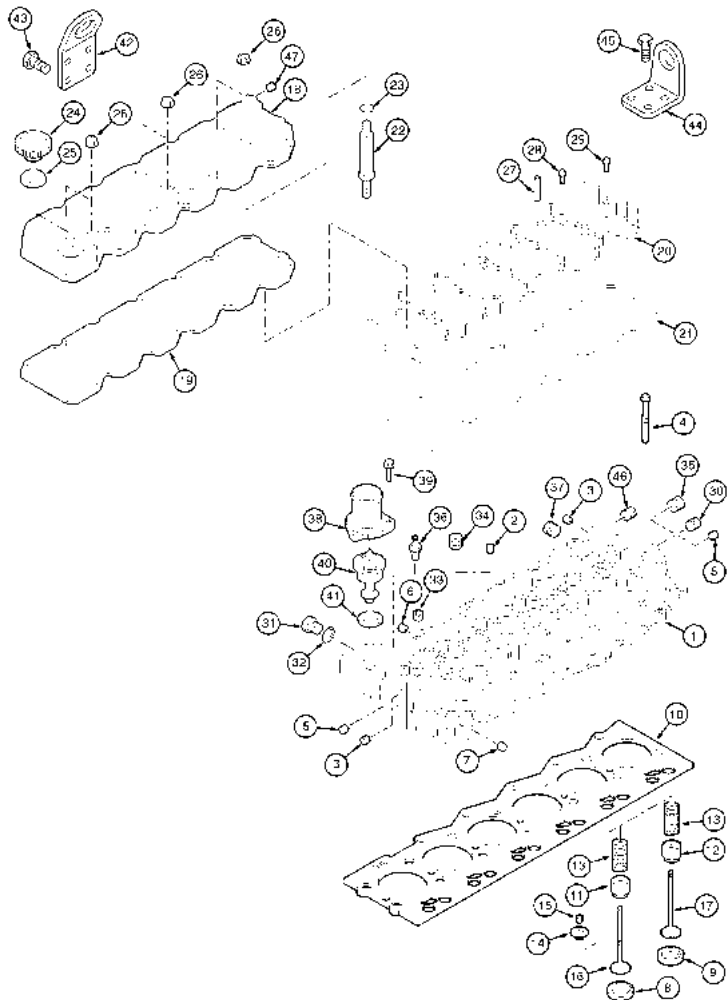
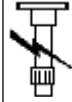
37,77 mm ID

120V/150w

230V/175W

XTX Series XTX185, XTX200, XTX215 (2005-2007)

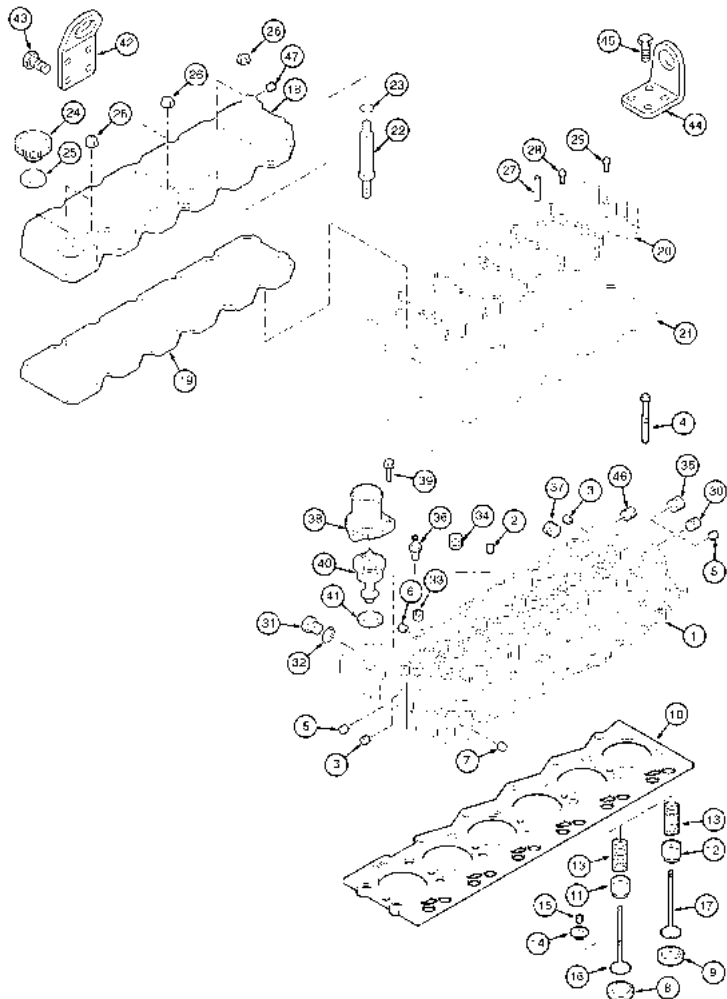
2055



1	709608A1	● 3688621M1 (1)	1 HEAD
2	704790A1		11 PLUG
3	704853A1	● 3688782M1 (7)	7 PLUG
4	704691A1	● 3688651M1 (12)	12 Bolt
4	704692A1	● 3688652M1 (14)	14 Bolt
5	704789A1		13 PLUG
6	704855A1		2 PLUG
7	704854A1	● 3688794M1 (2)	2 PLUG
8	704729A1	● N.L.S. (12)	12 INSERT
8	704914A1		12 SEAT
9	704729A1	● N.L.S. (12)	12 INSERT
9	704941A1		12 SEAT
10	707376A1	● 3688616M1 (1)	1 GASKET
11	704665A1	● 3688622M1 (12)	12 SLING
11	707343A1		12 Cap
12	704665A1	● 3688622M1 (12)	12 SLING

XTX Series XTX185, XTX200, XTX215 (2005-2007)

2055



- | | | | | | |
|----|----------|---|---|----|---------------|
| 12 | 707344A1 | ● | 3688622M1 (12) | 12 | Cap |
| 13 | 704781A1 | ● | 3688765M1 (24) | 24 | SPRING |
| 14 | 704782A1 | ● | 3688766M1 (24) | 24 | SPRING |
| 15 | 705006A1 | ● | 3688858M1 (48) | 48 | RACE |
| 16 | 704771A1 | ● | 3688761M1 (12) | 12 | Valve, Exh |
| 17 | 704772A1 | ● | 3688762M1 (12) | 12 | Valve, Intake |
| 18 | 704881A1 | | | 1 | Cover Assy |
| 19 | 707422A1 | ● | 3689038M1 (1)
3689040M1 (6)
3689057M1 (6) | 1 | GASKET |
| 20 | 705040A1 | ● | 3688872M1 (1) | 1 | CRANKCASE |
| 21 | 707423A1 | ● | 3689039M1 (1) | 1 | Gasket, Cover |
| 22 | 706318A1 | ● | 3689104M1 (6) | 6 | Screw Assy |
| 23 | 707424A1 | ● | 3689040M1 (6)
3689057M1 (42) | 6 | Washer |

Includes: 27

Includes: 47

Includes: 2,3,5 - 9

M12 x 130 mm

M12 x 150 mm

Engine No.: - 63211

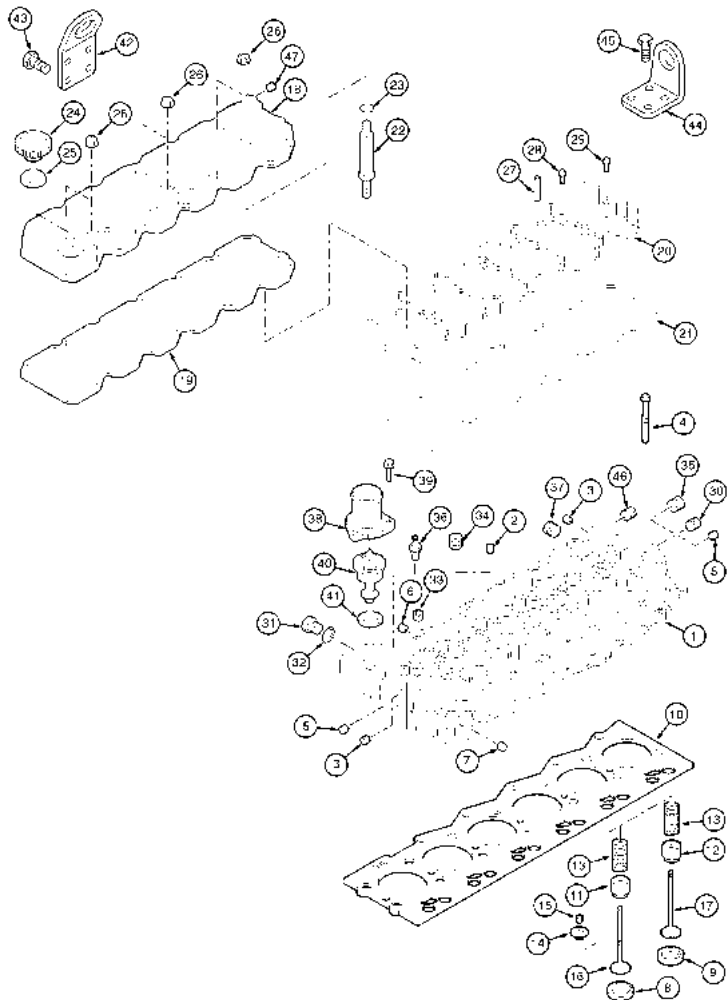
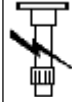
Engine No.: 63212 -

CONTINUED

B

XTX Series XTX185, XTX200, XTX215 (2005-2007)

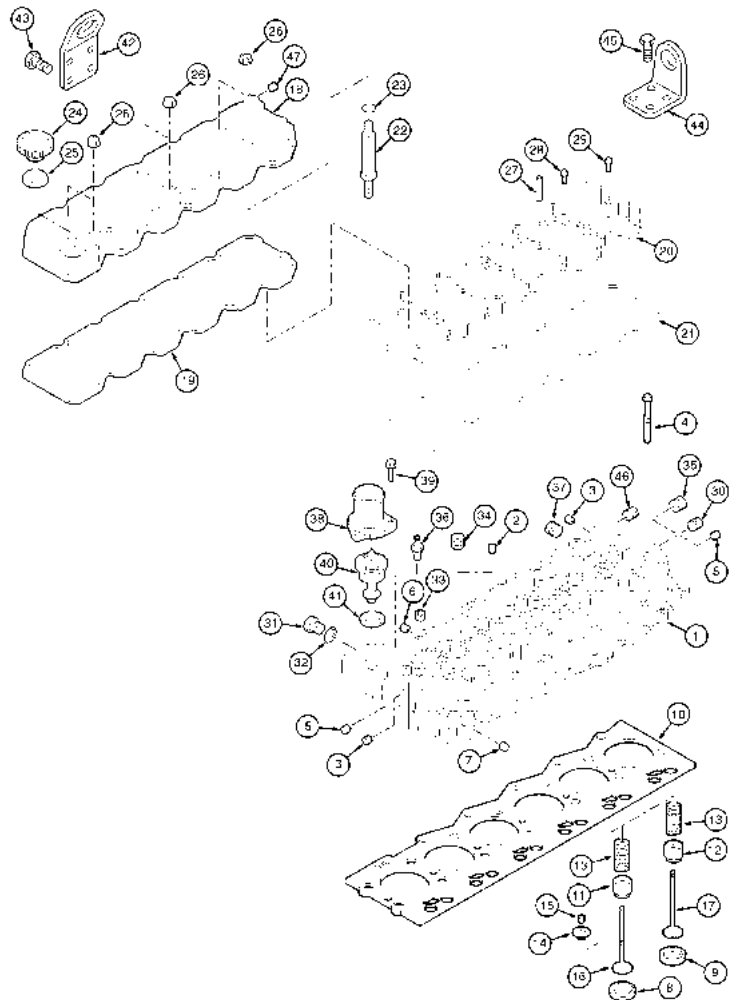
2057



24	705346A1	●	3689018M1 (1)	1	Cap
25	705341A1	●	3689016M1 (1)	1	PLUG
26	704738A1			6	NUT
27	705039A1			5	Bushing
28	704858A1			5	ELBOW
29	705011A1			2	ELBOW
30	704785A1			2	PLUG
31	704786A1			1	PLUG
32	707398A1			1	O RING
33	704870A1			1	PLUG
34	704784A1			4	PLUG
35	704785A1			1	PLUG
36	704795A1			1	INSERT
37	704714A1			1	PLUG
38	704797A1	●	3688772M1 (1)	1	Housing
39	705021A1			3	ELBOW
40	707439A1	●	4215605M2 (1)	1	VALVE
41	707438A1	●	3689023M1 (1)	1	SEAL
42	704747A1			1	HOOK
43	705004A1	●	3688856M1 (4)	4	ELBOW
44	705339A1			1	Hook
45	707366A1	●	3688944M1 (4)	4	Bolt

XTX Series XTX185, XTX200, XTX215 (2005-2007)

2057



- 46 704723A1
- 47 704956A1

- 3 PLUG
- 1 PLUG

M8

Includes: 25

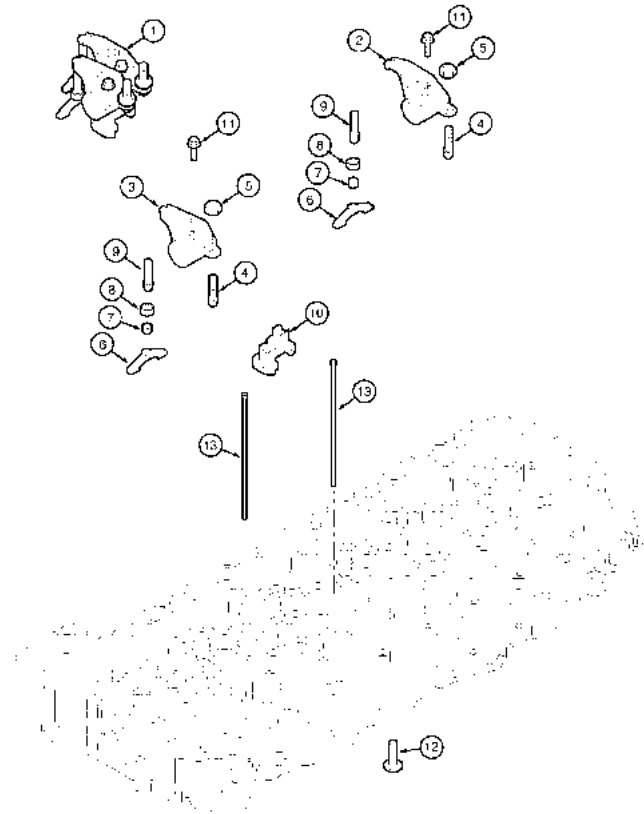
Includes: 32

Includes: 41

M12 x 25

XTX Series XTX185, XTX200, XTX215 (2005-2007)

2059



1	704972A1	● 6503095M2 (6)	6	SUPPORT
2	704780A1	● 6513402M91 (1)	1	Lever Assy
3	704779A1	● 6513405M91 (1)	1	Lever Assy
4	704610A1		1	SCREW
5	704812A1		1	NUT
6	713796A1	● 3689067M1 (12)	12	Lever
7	704925A1	● 6513401M1 (2)	2	Cap
8	704928A1		2	CLIP
9	704778A1		2	AXLE
10	704735A1		1	RAMP
11	704622A1		12	SCREW
11	707345A1		12	Bolt
12	705056A1		12	Tappet
13	704763A1		12	TIE ROD

Includes: 4,5

Intake

EXHAUST

Consists Of: 2 - 10

53 mm

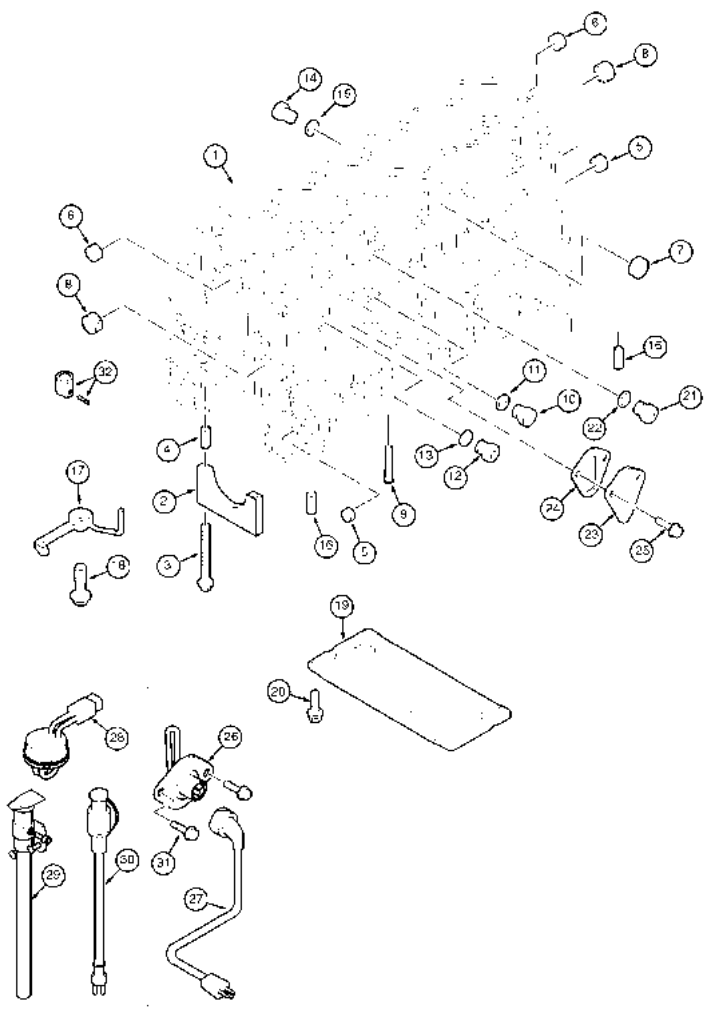
Engine No.: - 37130

55.5 mm

Engine No.: 37131 -

XTX Series XTX185, XTX200, XTX215 (2005-2007)

2061



1	704604A1		1	CRANKCASE
1	713176A1		1	Block Assy
2	NSS		1	Cap
3	704696A1		1	PLUG
4	704983A1		4	STUD
5	704765A1	● 3688758M1 (3)	3	PLUG
6	704764A1	● 3688757M1 (6)	6	PLUG
7	704823A1	● 3688775M1 (3)	3	PLUG
8	704766A1		2	BUSH
9	704885A1		6	PLUG
10	704866A1		2	PLUG
11	705022A1	● 3688868M1 (1)	1	O RING
12	704980A1		2	PLUG
13	707419A1	● 3688855M1 (1)	1	O RING
14	704850A1	● 3688780M1 (2)	2	Plug

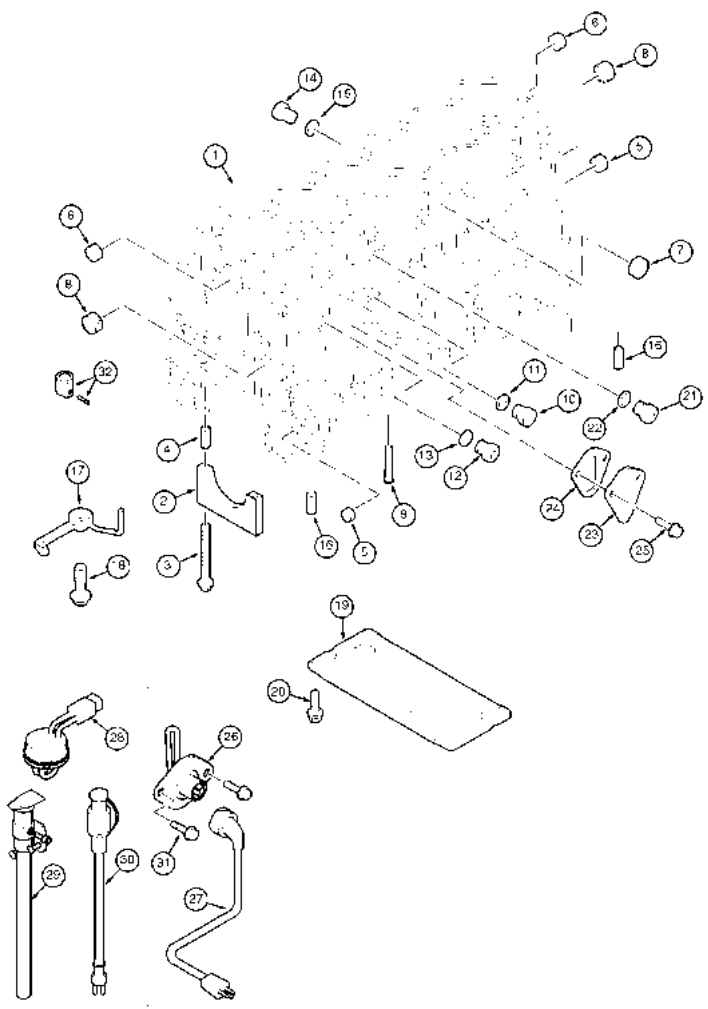
2 - Engine

2 -
061

CYLINDER BLOCK - XTX185, XTX200

XTX Series XTX185, XTX200, XTX215 (2005-2007)

2061



- | | | | | |
|----|----------|-----------------|---|---------|
| 15 | 707405A1 | | 1 | O RING |
| 16 | 704770A1 | ● 3688760M1 (2) | 2 | STUD |
| 17 | 705149A1 | | 6 | PISTON |
| 18 | 704749A1 | | 6 | UNION |
| 19 | 705218A1 | | 1 | PLATE |
| 20 | 704985A1 | | 4 | BOLT |
| 21 | 704578A1 | | 2 | PLUG |
| 22 | 704555A1 | | 2 | SEAL |
| 23 | 704911A1 | | 1 | COVER |
| 24 | 704684A1 | | 1 | SEAL |
| 25 | 710625A1 | | 2 | BOLT |
| 26 | 706388A1 | | 1 | Heater |
| 27 | J905113 | | 1 | CABLE |
| 28 | 706389A1 | | 1 | RELAY |
| 29 | 314722A1 | | 1 | HARNESS |
| 30 | 314723A1 | | 1 | Cable |
| 31 | 844-8020 | ● 2314H003 (2) | 2 | BOLT |
| 32 | 713174A1 | ● 3688809M1 (1) | 1 | NOZZLE |

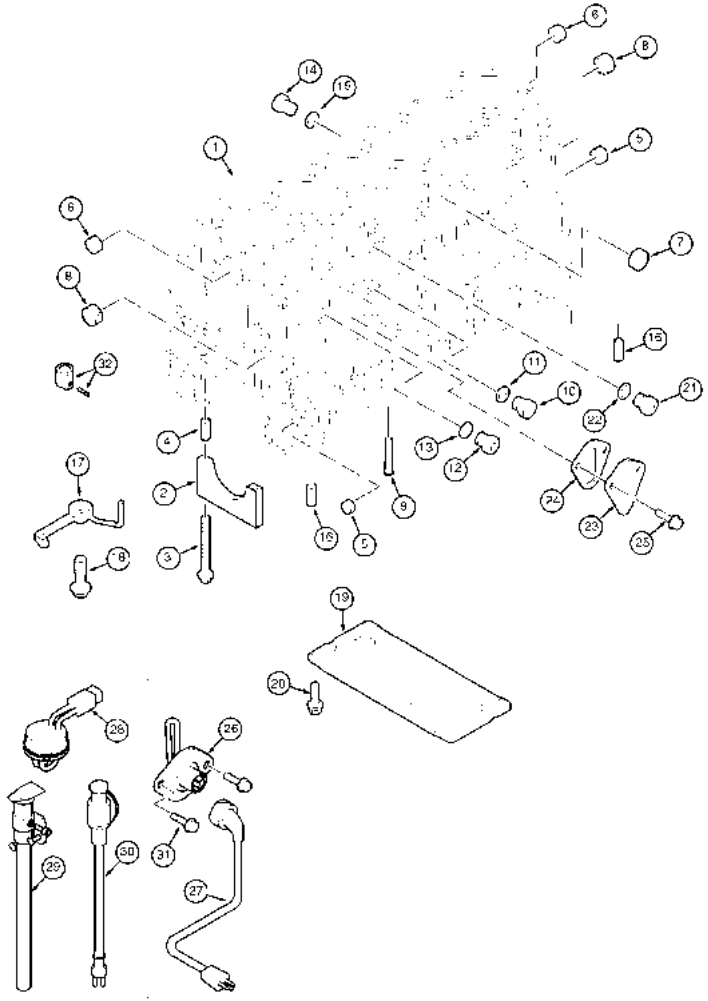
2 - Engine

2 -
061

CYLINDER BLOCK - XTX185, XTX200

XTX Series XTX185, XTX200, XTX215 (2005-2007)

2061



- M8 x 20; 8,8
- Includes: 15
- Includes: 11
- Includes: 13
- Includes: 22
- M18
- M14 x 1,5
- M8 x 20
- 120V/750W
- Includes: 2 - 8
- 1829 mm (72 in)
- M10 x 25 mm
- M18 x 1,5
- M10 x 1,5
- M12 x 120 mm
- 220V/750W
- 18 x 22 mm
- Engine No.: - 174993
- Engine No.: 174994 -

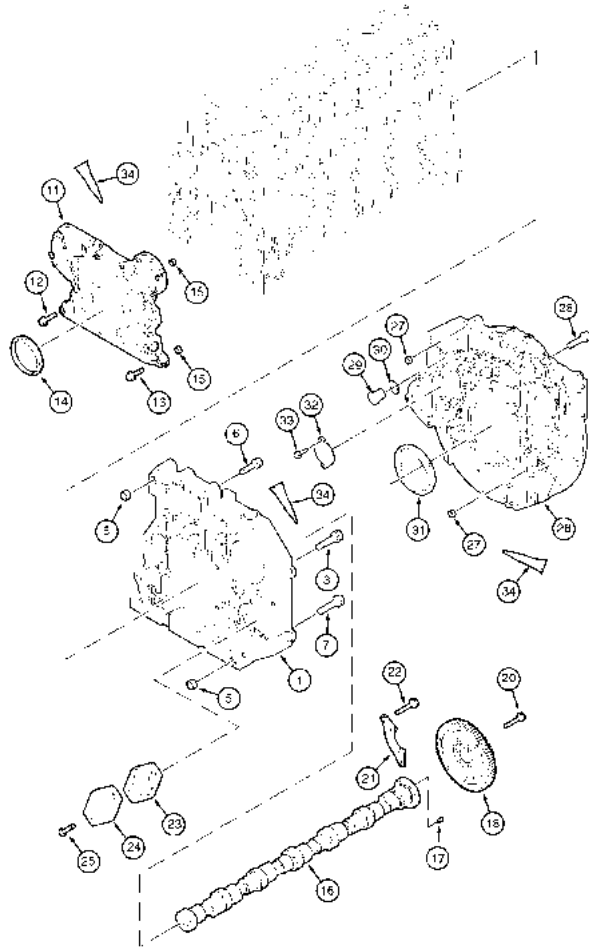
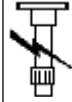
2 - Engine

2 -
063

CYLINDER BLOCK COVER - CAMSHAFT - XTX185, XTX200

XTX Series XTX185, XTX200, XTX215 (2005-2007)

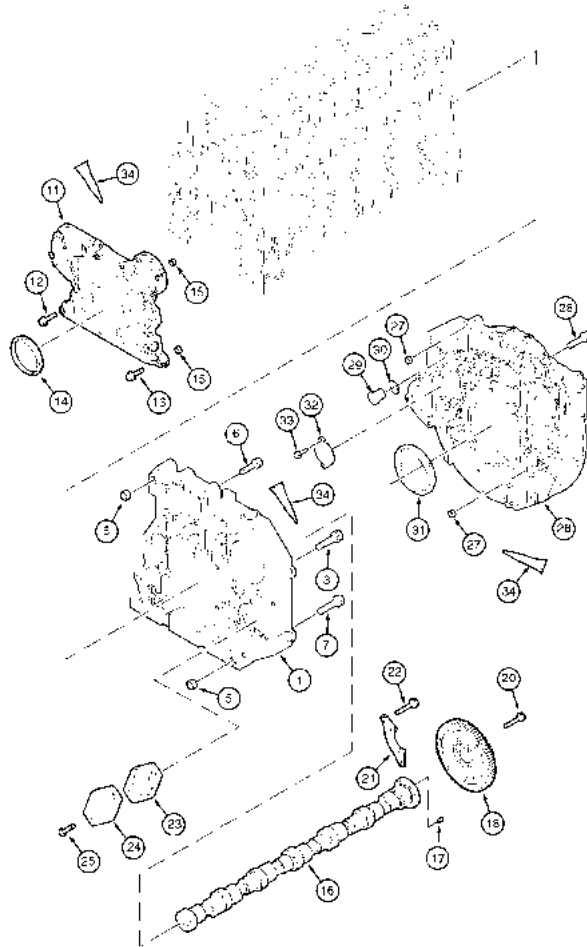
2063



1	705053A1		1	GEARBOX
3	704999A1		2	ELBOW
3	705015A1		5	ELBOW
5	704983A1		2	STUD
6	705003A1		4	ELBOW
7	704910A1		1	ELBOW
11	704913A1		1	Cover
12	705003A1		5	ELBOW
13	704995A1	● 3688853M1 (8)	8	ELBOW
14	704686A1	● 6513391M1 (1)	1	SEAL
15	704693A1		2	STUD
16	704893A1		1	SHAFT
17	705005A1		1	STUD
18	704887A1		1	PINION
20	705004A1	● 3688856M1 (6)	6	ELBOW
21	704931A1		1	ELBOW
22	704997A1		2	ELBOW
23	704906A1		1	SEAL
24	705139A1		1	COVER
25	707366A1	● 3688944M1 (2)	2	Bolt
26	705098A1		1	CRANKCASE

XTX Series XTX185, XTX200, XTX215 (2005-2007)

2063



- | | | | | |
|----|----------|-----------------|---|---------|
| 27 | 704983A1 | | 2 | STUD |
| 28 | 705002A1 | | 5 | ELBOW |
| 28 | 705020A1 | | 3 | ELBOW |
| 28 | 712165A1 | | 8 | BOLT |
| 28 | 712166A1 | ● 4219091M1 (2) | 2 | BOLT |
| 29 | 704847A1 | | 2 | PLUG |
| 30 | 707404A1 | ● 714949A1 (2) | 2 | O RING |
| 31 | 704687A1 | ● 6514306M1 (1) | 1 | SEAL |
| 32 | 704799A1 | | 1 | Cover |
| 33 | 704997A1 | | 2 | ELBOW |
| 34 | TBA | | 3 | LOCTITE |

Includes: 17

Flywheel

M10 x 80 mm

M12 x 25

M8 x 30 mm

M8 x 17 mm

Without Compressor

M10 x 40 mm

M12 x 80 mm

M29

M8 x 17

D

FRONT

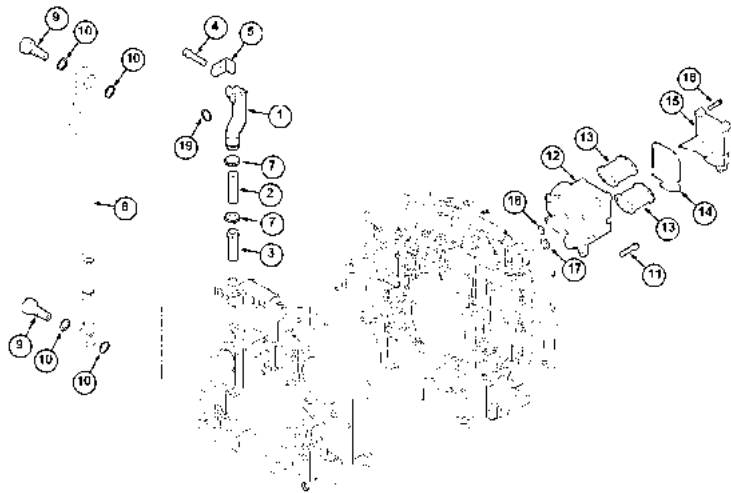
2 - Engine

2 -
065

BREATHER ASSY - XTX185, XTX200

XTX Series XTX185, XTX200, XTX215 (2005-2007)

2065



- | | | | | |
|----|----------|------------------|---|-------------|
| 1 | 704935A1 | | 1 | PIPE |
| 2 | 704939A1 | | 1 | LINER |
| 3 | 704940A1 | | 1 | UNION |
| 4 | 704937A1 | | 1 | ELBOW |
| 5 | 704936A1 | | 1 | CLAMP |
| 7 | 704728A1 | | 2 | SPRING |
| 8 | 705029A1 | | 1 | PIPE |
| 9 | 707341A1 | | 2 | Bolt, Banjo |
| 10 | 705062A1 | | 4 | Seal |
| 11 | 705014A1 | | 3 | ELBOW |
| 12 | 704719A1 | ● 3685425M91 (1) | 1 | BREATHER |
| 13 | 707340A1 | | 1 | KIT |
| 14 | NSS | | 1 | Seal |
| 15 | NSS | | 1 | Cover |
| 16 | NSS | | 6 | Screw |
| 17 | 704960A1 | | 1 | O RING |
| 18 | 704619A1 | | 1 | O RING |
| 19 | 704962A1 | ● 3688996M1 (1) | 1 | Seal |

M12

10 x 80 mm

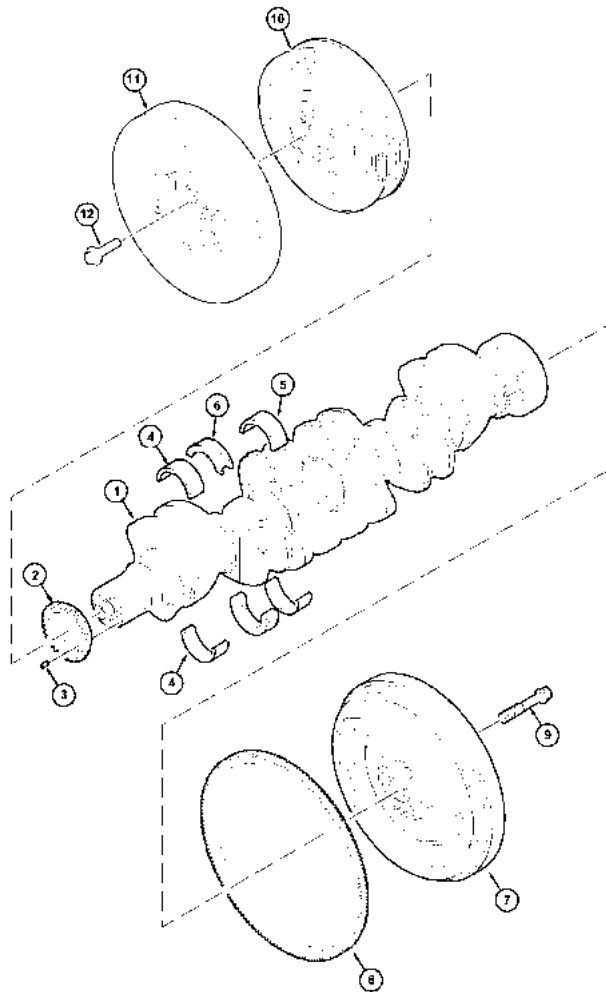
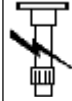
Includes: 9,10

Includes: 14 - 16

Includes: 13 - 18

XTX Series XTX185, XTX200, XTX215 (2005-2007)

2067



1	705157A1		1	SHAFT
2	704730A1		1	WHEEL
3	704992A1		1	INSERT
4	706288A1	● 3688880M1 (6)	6	Bearing, C
5	706282A1	● 3688637M1 (6)	6	Bearing, C
5	706283A1	● 3688638M1 (6)	6	Bearing, C
5	706284A1		6	Bearing, C
6	706285A1	● 3688634M1 (1)	1	Bearing, T
6	706286A1		1	Bearing, T
6	706287A1		1	Bearing, T
7	705228A1		1	FLYWHEEL
8	705069A1	● N.L.S. (1)	1	GEAR
9	704752A1		8	SCREW
10	704899A1		1	PULLEY
11	704720A1		1	DAMPER
12	704718A1	● 3688681M1 (6)	6	SCREW

Includes: 2,3

Includes: 8

Undersize: 0,25 mm

Undersize: 0,5 mm

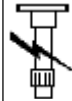
D STANDARD

2 - Engine

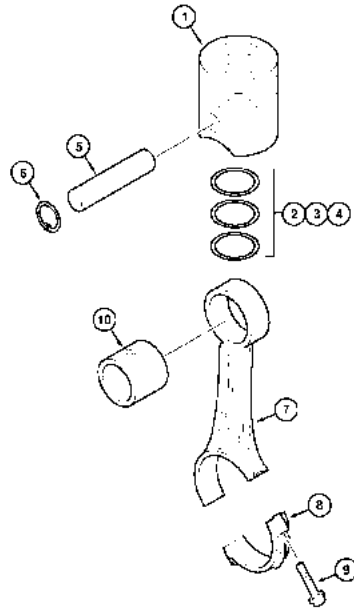
2 -
069

PISTONS AND CONNECTING RODS - XTX185, XTX200

XTX Series XTX185, XTX200, XTX215 (2005-2007)



2069



1	707353A1	●	3688927M1 (6)	6	Piston Assy
1	707355A1	●	3688928M1 (6)	6	Piston Assy
1	707357A1	●	N.L.A. (6)	6	Piston Assy
2	706290A1	●	3688921M1 (1)	1	Package, R
3	707354A1	●	713981A1 (1)	1	KIT
4	707356A1			1	Package, R
5	704709A1	●	3688676M1 (1)	1	AXLE
6	704710A1			2	RING
7	710624A1	●	3688624M1 (6)	6	CONROD
8	NSS			1	Cap
9	710623A1	●	3688623M1 (2)	2	SCREW
10	704708A1	●	3688675M1 (1)	1	BUSH
			Includes: 8 - 10		
			Includes: 4 - 6		
			Includes: 2,5,6		
			Oversize: 0,4 mm		
			Includes: 3,5,6		
			Oversize: 0,8 mm		
D			STANDARD		

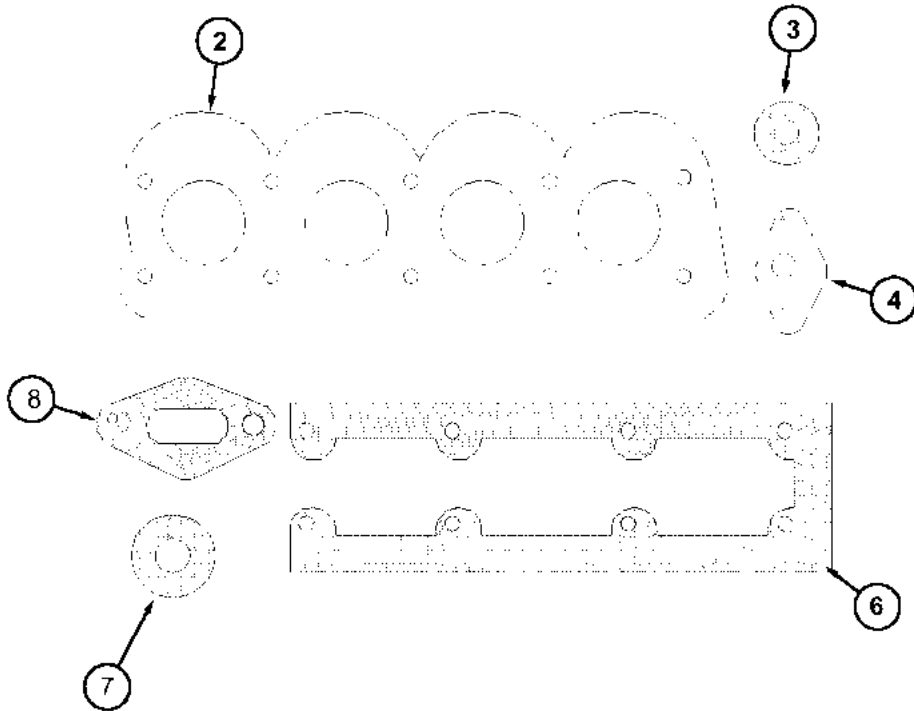
2 - Engine

2 -
071

GASKET KITS - XTX185, XTX200

XTX Series XTX185, XTX200, XTX215 (2005-2007)

2071



- | | | | | | |
|---|----------|---|--|---|---------------|
| 1 | 707339A1 | ● | 3689040M1 (6)
3689057M1 (6)
4214880M91 (1) | 1 | Package, G |
| 2 | NSS | | | 1 | Gasket, Cy |
| 3 | NSS | | | 1 | Seal |
| 4 | NSS | | | 1 | Seal |
| 5 | 707338A1 | ● | 3689040M1 (6)
3689057M1 (6)
4217964M91 (1) | 1 | Package, S |
| 6 | NSS | | | 1 | Gasket, Plate |
| 7 | NSS | | | 1 | Seal |
| 8 | NSS | | | 1 | Seal |

Consists Of: 2 - 4

Consists Of: 6 - 8

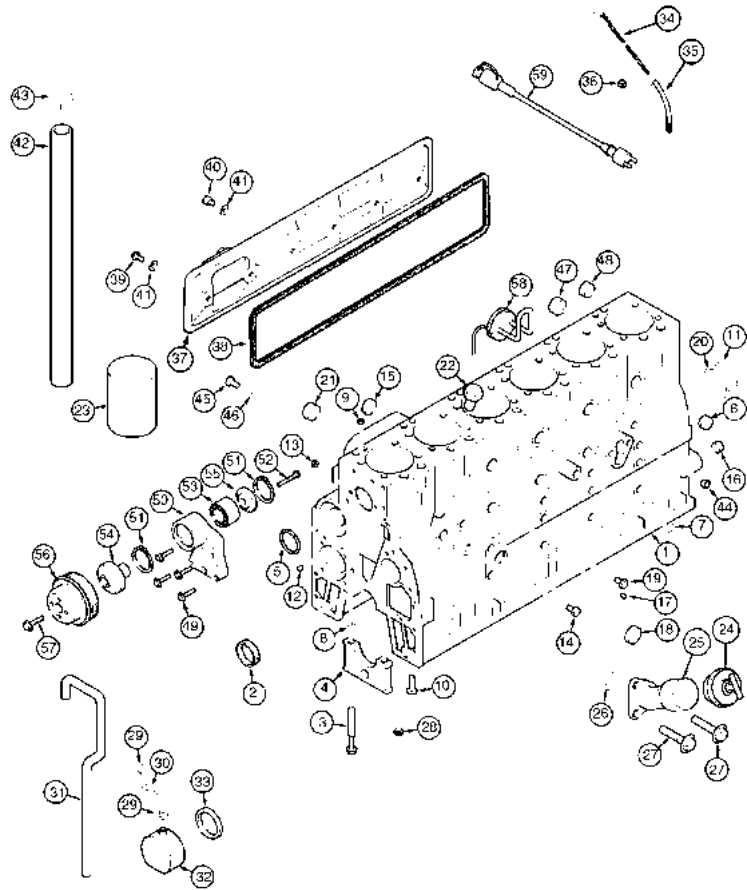
2 - Engine

2 -
073

CYLINDER BLOCK - XTX215

XTX Series XTX185, XTX200, XTX215 (2005-2007)

2073



- | | |
|-------------|--------------|
| 1 TBA | 1 Block Assy |
| 1 TBA | 1 Block |
| 2 TBA | 1 Bushing |
| 3 TBA | 14 Screw |
| 4 TBA | 7 Cap |
| 5 TBA | 5 Plug |
| 6 TBA | 4 Plug |
| 7 TBA | 3 Plug |
| 8 TBA | 14 Dowel |
| 9 TBA | 2 Dowel |
| 9 TBA | 1 Kit |
| 10 TBA | 6 Nozzle |
| 11 TBA | 1 Plug |
| 12 TBA | 2 Dowel |
| 13 TBA | 1 Plug |
| 14 TBA | 3 Plug |
| 15 TBA | 2 Plug |
| 16 TBA | 2 Dowel |
| 17 TBA | 3 Plug |
| 18 TBA | 1 Plug |
| 19 TBA | 1 Plug |
| 20 TBA | 1 Seal |
| 21 TBA | 1 Plug |
| 22 TBA | 1 Plug |
| 23 TBA | 1 Sleeve |
| 24 702621A1 | 1 PLUG |
| 25 TBA | 1 Tube |
| 26 TBA | 1 Seal |
| 27 TBA | 2 Screw |
| 28 TBA | 1 Nut |
| 29 TBA | 1 Clamp |

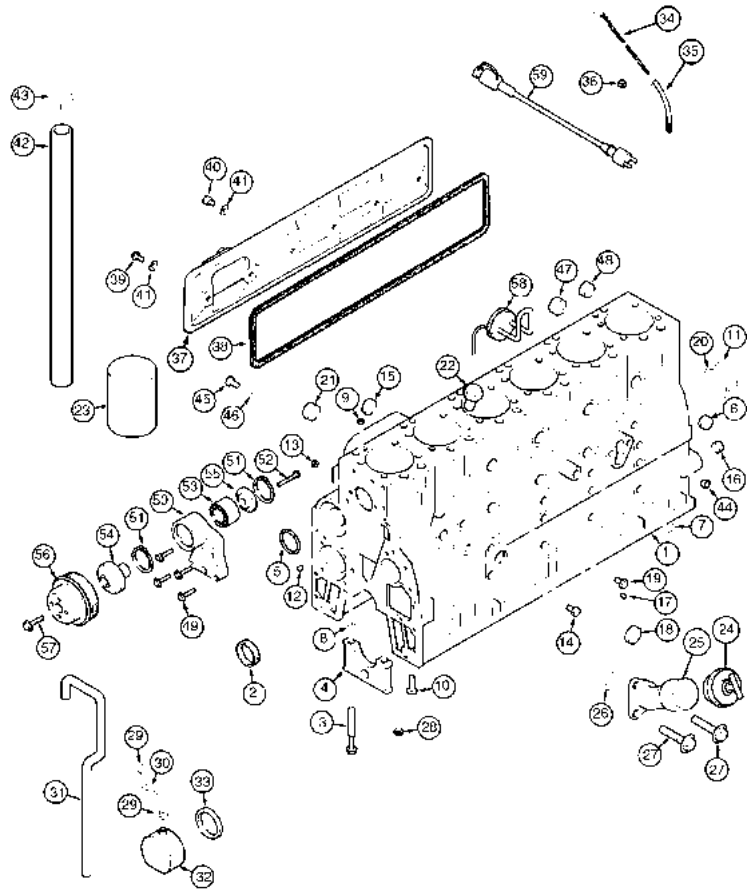
2 - Engine

2 -
073

CYLINDER BLOCK - XTX215

XTX Series XTX185, XTX200, XTX215 (2005-2007)

2073



- | | | | |
|----|----------|---|----------|
| 30 | TBA | 1 | Clip |
| 31 | TBA | 1 | Hose |
| 32 | TBA | 1 | Breather |
| 33 | TBA | 1 | Seal |
| 34 | 702620A1 | 1 | ROD |
| 35 | TBA | 1 | Tube |
| 36 | TBA | 1 | Plug |

Includes: 33

Consists Of: Block,2 - 22

Consists Of: Dowel,10 - 22

B CONTINUED

D STANDARD

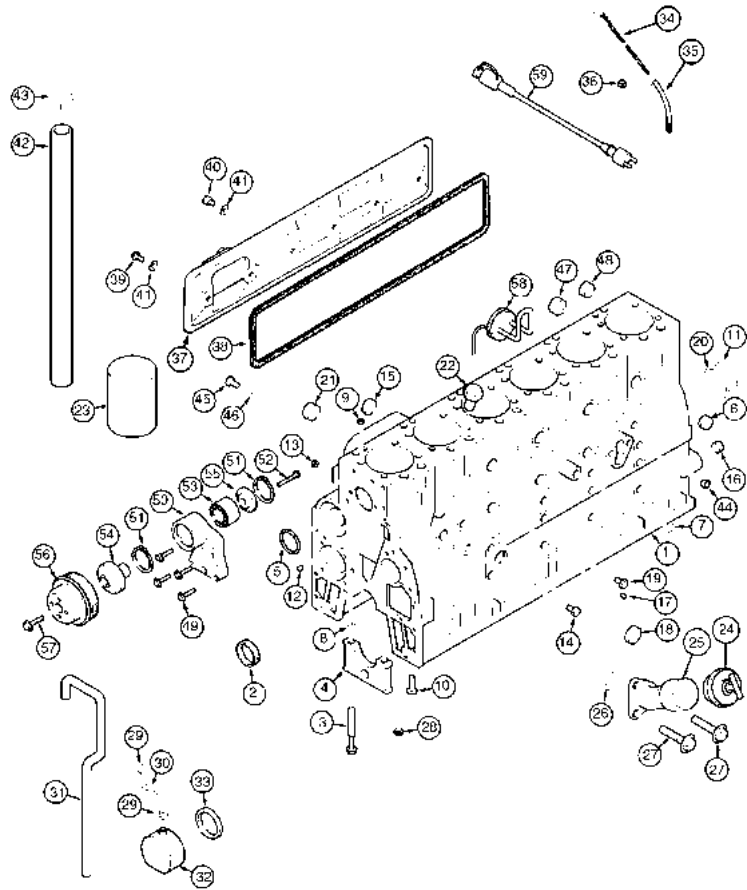
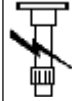
2 - Engine

2 -
075

CYLINDER BLOCK - XTX215

XTX Series XTX185, XTX200, XTX215 (2005-2007)

2075



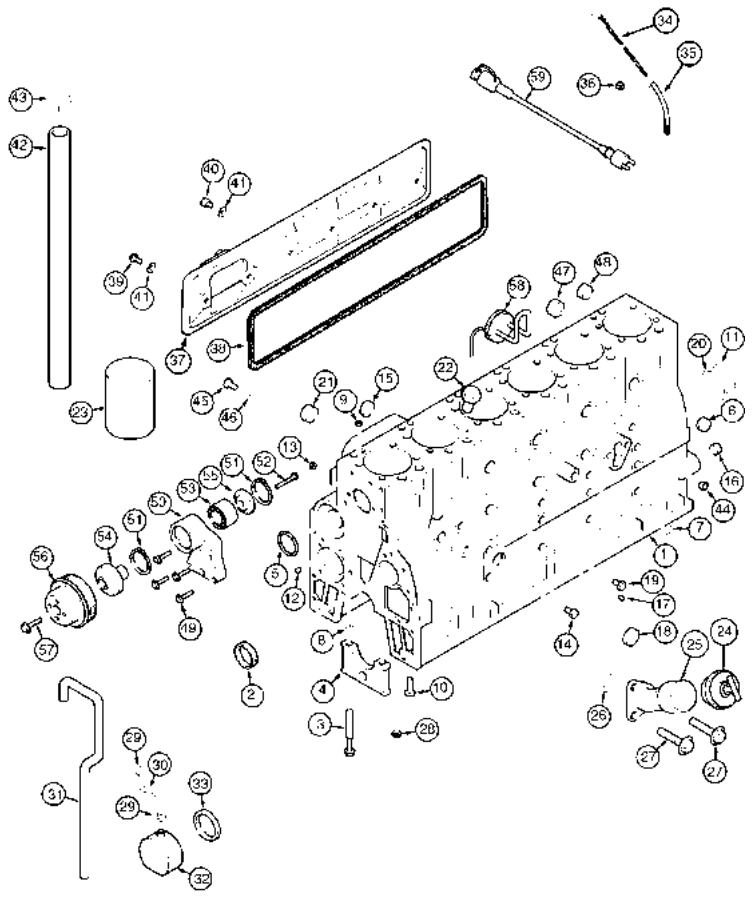
- | | | | |
|----|----------------|---|---------------|
| 37 | TBA | 1 | Cover |
| 38 | 702043A1 | 1 | GASKET |
| 39 | TBA | 3 | Screw |
| 40 | TBA | 3 | Spacer |
| 41 | TBA | 6 | Seal |
| 42 | TBA | 1 | Hose |
| 43 | TBA | 1 | Clamp |
| 44 | TBA | 1 | Plug |
| 45 | TBA | 3 | Plug |
| 46 | TBA | 1 | O-Ring |
| 47 | TBA | 1 | Plug |
| 48 | TBA | 1 | Plug |
| 49 | TBA | 4 | Screw |
| 50 | TBA | 1 | Support Assy |
| 51 | TBA | 2 | Ring, Reta |
| 52 | TBA | 1 | Screw |
| 53 | TBA | 1 | Bearing, Ball |
| 54 | TBA | 1 | Hub |
| 55 | TBA | 1 | Retainer |
| 56 | TBA | 1 | Pulley |
| 57 | TBA | 4 | Screw |
| 58 | 310630A1 | 1 | Heater |
| 58 | J916127 | 1 | Heater |
| 59 | 313126A2 | 1 | CABLE |
| | ● 314723A1 (1) | | |
| | 314722A1 (1) | | |

2 - Engine

2 -
075

CYLINDER BLOCK - XTX215

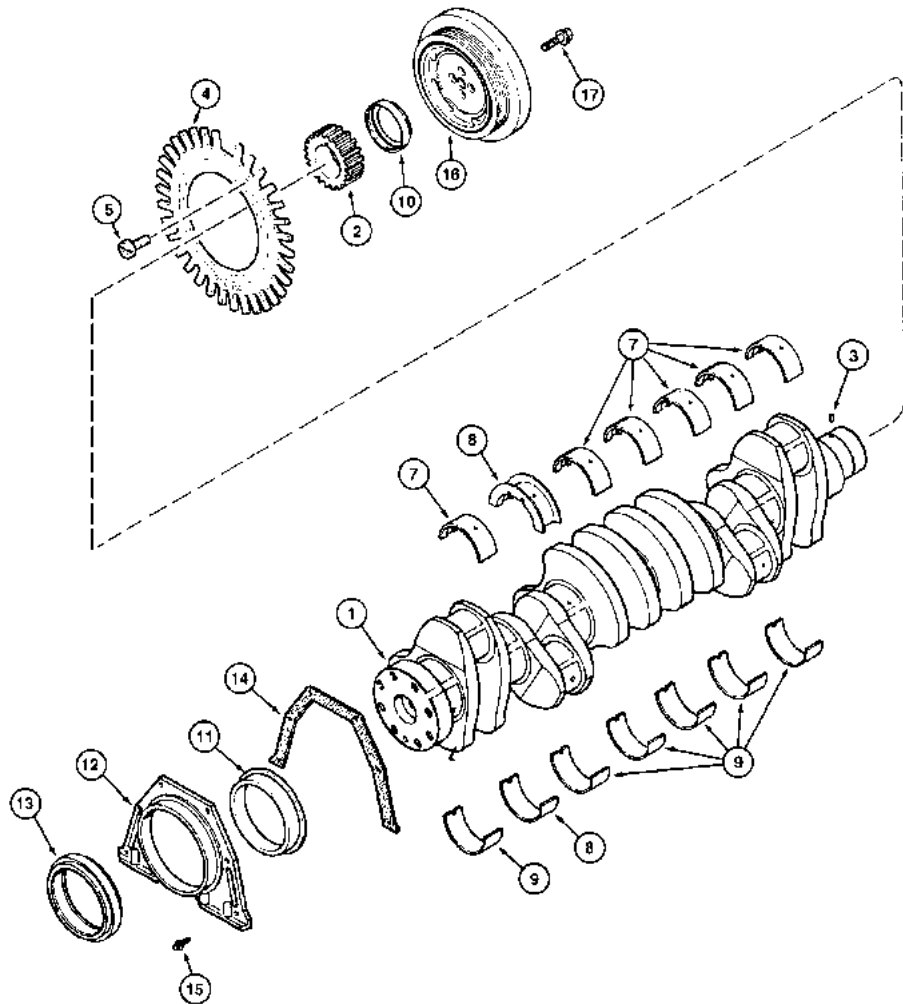
XTX Series XTX185, XTX200, XTX215 (2005-2007)



59	J905113	1	CABLE
	230V		
	Illustrated		
	1829 mm (72 in)		
	Includes: 46		
	Includes: 51 - 55		
	120V		

XTX Series XTX185, XTX200, XTX215 (2005-2007)

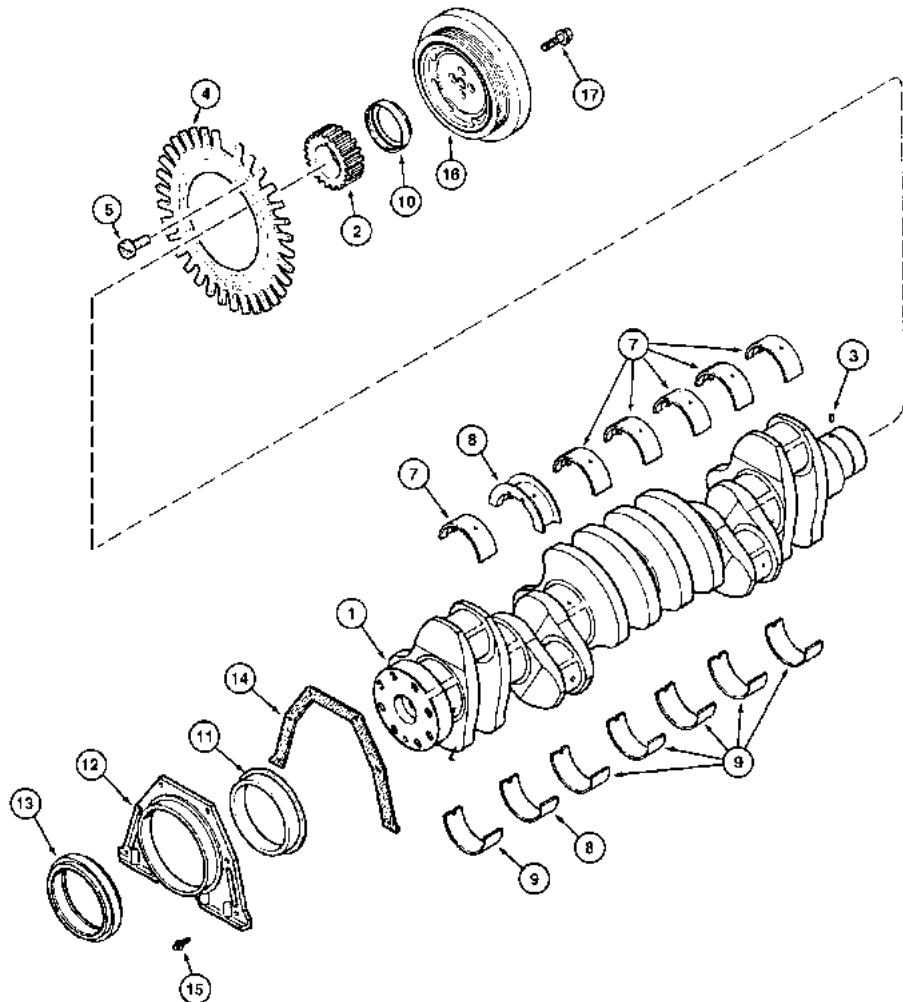
2077



- | | | | |
|---|-----|---|------------|
| 1 | TBA | 1 | Crankshaft |
| 2 | TBA | 1 | Gear |
| 3 | TBA | 1 | Dowel |
| 4 | TBA | 1 | Ring |
| 5 | TBA | 5 | Screw |
| 6 | TBA | 1 | Kit |
| 6 | TBA | 1 | Kit |
| 6 | TBA | 1 | Kit |
| 6 | TBA | 1 | Kit |
| 6 | TBA | 1 | Kit |
| 6 | TBA | 1 | Kit |
| 6 | TBA | 1 | Kit |

XTX Series XTX185, XTX200, XTX215 (2005-2007)

2077



- | | | | |
|----|----------|---|------------|
| 7 | NSS | 6 | Bearing, C |
| 8 | NSS | 1 | Bearing, T |
| 9 | NSS | 7 | Bearing, C |
| 10 | TBA | 1 | Sleeve |
| 11 | TBA | 1 | Seal |
| 12 | TBA | 1 | Cover Assy |
| 13 | 702053A1 | 1 | SEAL |
| 14 | 702052A1 | 1 | SEAL |
| 15 | TBA | 6 | Screw |
| 16 | TBA | 1 | Pulley |
| 17 | TBA | 4 | Screw |

Includes: 13

Consists Of: 2 - 5

Consists Of: 7,8

Consists Of: 7,8,9

Oversize: 0.10 mm

Oversize: 0.50 mm

Oversize: 0.75 mm

Oversize: 1.00 mm

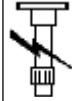
- | | |
|---|----------|
| D | FRONT |
| D | STANDARD |
| Y | REAR |

2 - Engine

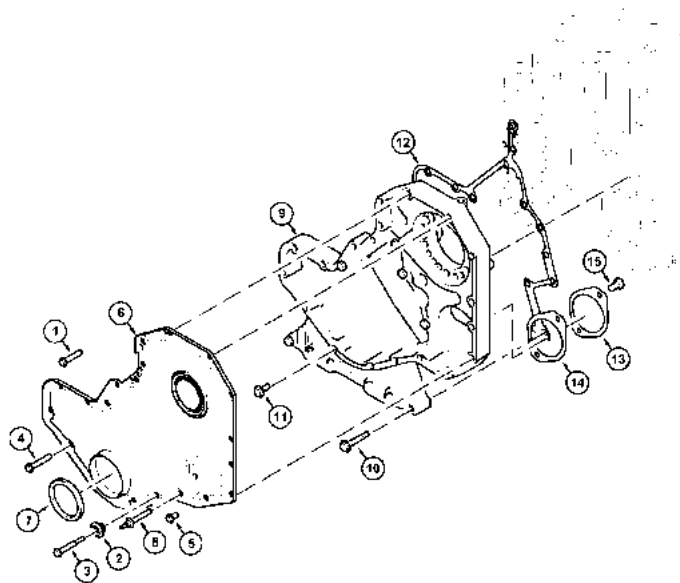
2 -
079

CAMSHAFT - CYLINDER BLOCK FRONT COVER - XTX215

XTX Series XTX185, XTX200, XTX215 (2005-2007)



2079



- | | | | |
|----|----------|---|------------|
| 1 | TBA | 7 | Screw |
| 2 | TBA | 1 | Retainer |
| 3 | TBA | 1 | Screw |
| 4 | TBA | 4 | Screw |
| 5 | TBA | 7 | Screw |
| 6 | TBA | 1 | Cover Assy |
| 7 | 702056A1 | 1 | SEAL |
| 8 | TBA | 1 | Screw |
| 9 | TBA | 1 | Housing |
| 10 | TBA | 2 | Screw |
| 11 | TBA | 5 | Screw |
| 12 | TBA | 1 | Gasket, Ho |
| 13 | TBA | 1 | Plate |
| 14 | 702044A1 | 1 | GASKET |
| 15 | TBA | 2 | Screw |

Includes: 7

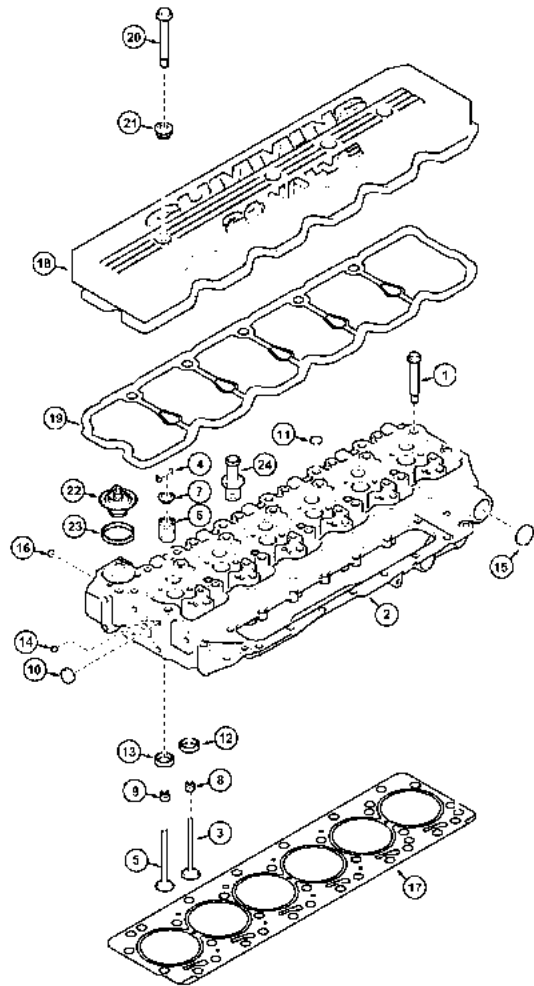
2 - Engine

2 -
081

VALVE MECHANISM - XTX215

XTX Series XTX185, XTX200, XTX215 (2005-2007)

2081



- | | | | |
|----|----------|----|---------------|
| 1 | TBA | 26 | Screw |
| 2 | TBA | 1 | Head Assy |
| 3 | TBA | 12 | Valve, Exh |
| 4 | TBA | 2 | Key |
| 5 | TBA | 12 | Valve, Intake |
| 6 | TBA | 24 | Spring |
| 7 | TBA | 24 | Retainer |
| 8 | TBA | 12 | Seal |
| 9 | TBA | 12 | Seal |
| 10 | TBA | 14 | Plug |
| 11 | TBA | 11 | Plug |
| 12 | TBA | 12 | Insert |
| 13 | TBA | 12 | Insert |
| 14 | TBA | 7 | Plug |
| 15 | TBA | 2 | Plug |
| 16 | TBA | 2 | Plug |
| 17 | 702072A1 | 1 | Gasket, Cy |
| 18 | TBA | 1 | Cover |
| 19 | 702617A1 | 1 | GASKET |
| 20 | 702616A1 | 5 | VALVE |
| 21 | 702615A1 | 5 | ISOLATOR |
| 22 | 702046A1 | 1 | THERMOSTAT |
| 23 | 702047A1 | 1 | SEAL |
| 24 | TBA | 1 | Connector |

Includes: 23

Includes: 4

Consists Of: 3 - 17

2 - Engine

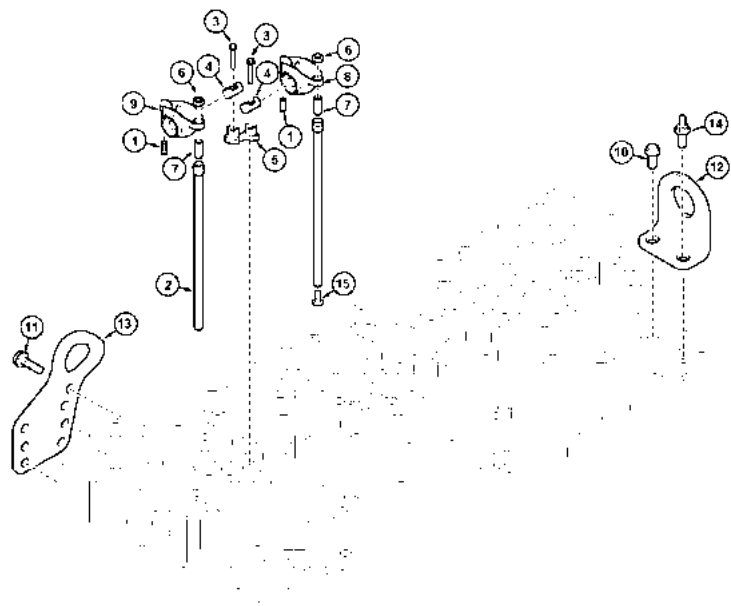
2 -
083

VALVE MECHANISM - XTX215

XTX Series XTX185, XTX200, XTX215 (2005-2007)



2083



- | | | | |
|----|-----|----|-----------|
| 1 | TBA | 12 | Insert |
| 2 | TBA | 12 | Rod, Push |
| 3 | TBA | 12 | Screw |
| 4 | TBA | 2 | Shaft |
| 5 | TBA | 1 | Support |
| 6 | TBA | 1 | Nut |
| 7 | TBA | 1 | Screw |
| 8 | TBA | 1 | Lever |
| 9 | TBA | 1 | Lever |
| 10 | TBA | 1 | Screw |
| 11 | TBA | 3 | Screw |
| 12 | TBA | 1 | Bracket |
| 13 | TBA | 1 | Bracket |
| 14 | TBA | 1 | Screw |
| 15 | TBA | 12 | Tappet |

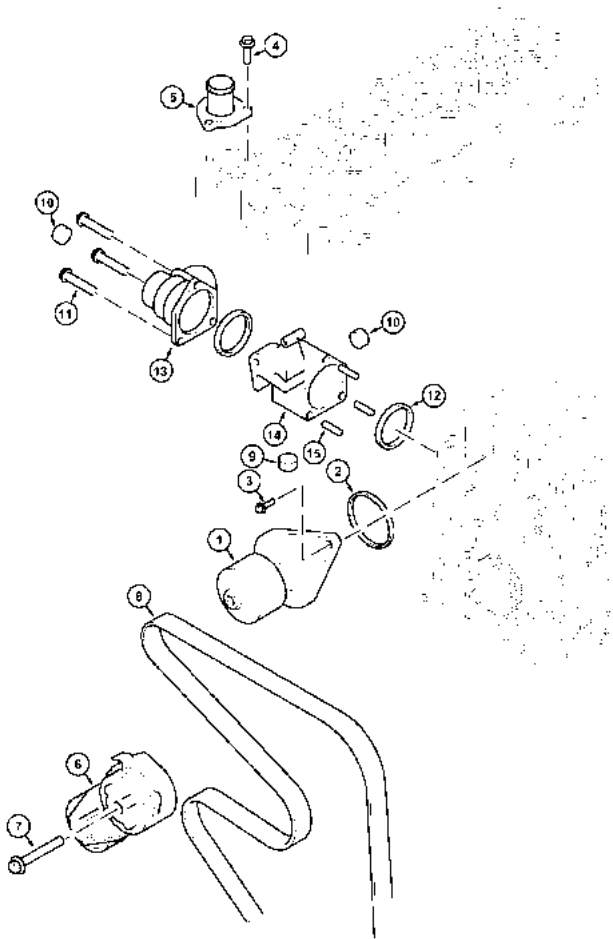
2 - Engine

2 -
085

WATER PUMP - XTX215

XTX Series XTX185, XTX200, XTX215 (2005-2007)

2085



- | | | | | |
|----|----------|----------------|---|-----------|
| 1 | TBA | | 1 | Pump Assy |
| 2 | J906698 | | 1 | GASKET |
| 3 | TBA | | 2 | Screw |
| 4 | TBA | | 3 | Screw |
| 5 | TBA | | 1 | Connector |
| 6 | 702049A1 | ● 707127A1 (1) | 1 | TENSIONER |
| 7 | TBA | | 1 | Screw |
| 8 | 702078A1 | | 1 | BELT |
| 9 | TBA | | 1 | Plug |
| 10 | TBA | | 2 | Plug |
| 11 | TBA | | 3 | Screw |
| 12 | J906697 | | 2 | RING |
| 13 | TBA | | 1 | Connector |
| 14 | TBA | | 1 | Connector |
| 15 | TBA | | 2 | Pin |

Includes: 15

Includes: 2

50 mm ID

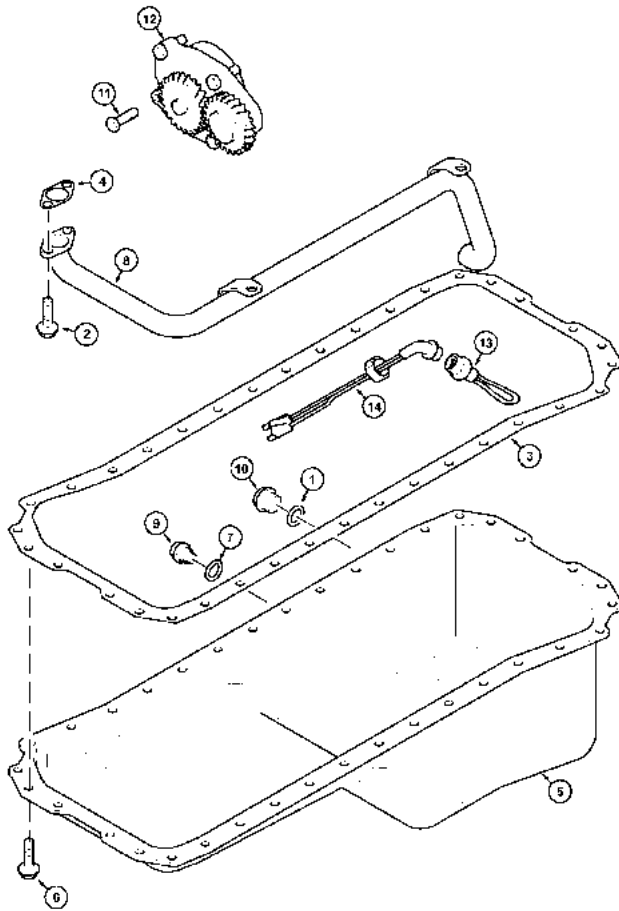
2 - Engine

2 -
087

OIL PUMP AND OIL PAN - XTX215

XTX Series XTX185, XTX200, XTX215 (2005-2007)

2087



- | | | | |
|----|----------|----|-----------|
| 1 | 702624A1 | 1 | WASHER |
| 2 | TBA | 4 | Screw |
| 3 | 702064A1 | 1 | GASKET |
| 4 | 702063A1 | 1 | GASKET |
| 5 | TBA | 1 | Pan, Oil |
| 6 | TBA | 36 | Screw |
| 7 | 702625A1 | 1 | WASHER |
| 8 | TBA | 1 | Tube Assy |
| 9 | 702622A1 | 1 | PLUG |
| 10 | 702623A1 | 1 | PLUG |
| 11 | TBA | 4 | Screw |
| 12 | TBA | 1 | Pump |
| 13 | J904380 | 1 | RELAY |
| 14 | 196466A1 | 1 | Cable |

1829 mm (72 in)

120V/150w

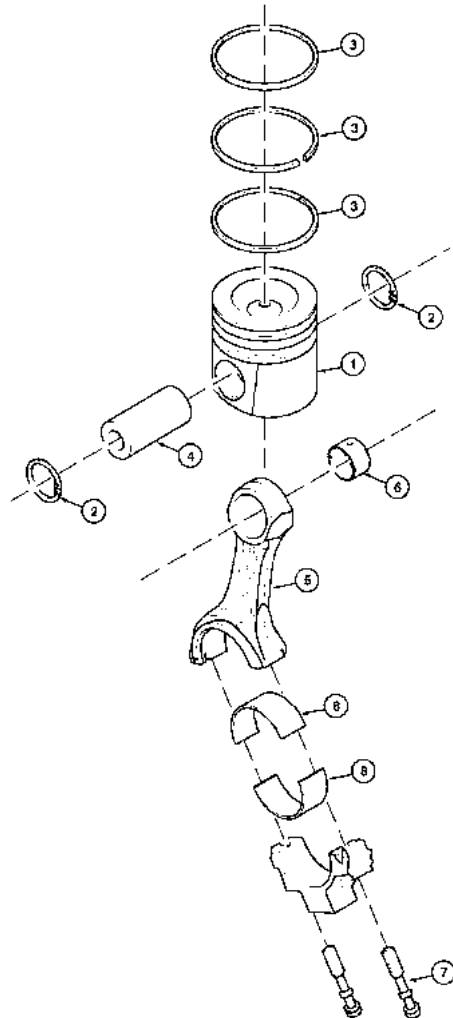
2 - Engine

2 -
089

PISTONS AND CONNECTING RODS - XTX215

XTX Series XTX185, XTX200, XTX215 (2005-2007)

2089



- | | | | |
|---|-----|---|-------------|
| 1 | TBA | 6 | Piston Assy |
| 2 | TBA | 2 | Ring, Reta |
| 3 | TBA | 1 | Ring Set, |
| 4 | TBA | 6 | Pin |
| 5 | TBA | 6 | Rod Assy |
| 6 | TBA | 1 | Bushing |
| 7 | TBA | 2 | Screw |
| 8 | TBA | 2 | Bearing, C |

Includes: 6,7,8

Includes: 2,3

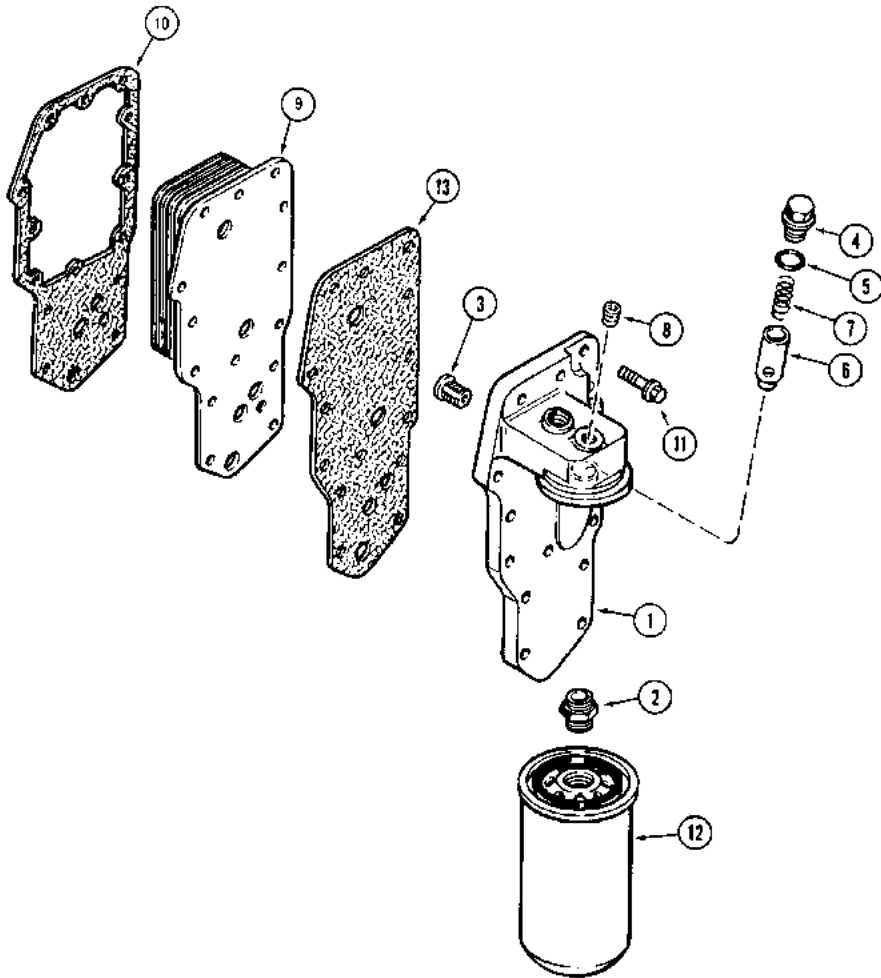
2 - Engine

2 -
091

OIL FILTER AND COOLER - XTX215

XTX Series XTX185, XTX200, XTX215 (2005-2007)

2091



- 1 TBA
- 2 TBA
- 3 TBA
- 4 TBA
- 5 TBA
- 6 TBA
- 7 TBA
- 8 TBA
- 9 TBA
- 10 702060A1
- 11 TBA
- 12 702619A1
- 13 702061A1

- 1 Head Assy
- 1 Adapter
- 1 Valve, By-
- 1 Plug
- 1 O-Ring
- 1 Plunger
- 1 Spring
- 1 Plug
- 1 Cooler, Oil
- 1 GASKET
- 14 Bolt
- 1 FILTER
- 1 SEAL

A

1/8 PT

M8 x 35; 8,8

Includes: 2

23/32 ID x 7/64

A

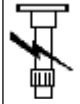
FOR CUMMINS MOTOR

2 - Engine

2 -
093

CAMSHAFT - XTX215

XTX Series XTX185, XTX200, XTX215 (2005-2007)



2093

- | | | | |
|---|-----|---|---------------|
| 1 | TBA | 1 | Camshaft |
| 2 | TBA | 1 | Bushing |
| 3 | TBA | 6 | Bushing |
| 4 | TBA | 1 | Support |
| 5 | TBA | 2 | Bolt |
| 6 | TBA | 1 | Key, Woodruff |
| 7 | TBA | 1 | Gear |

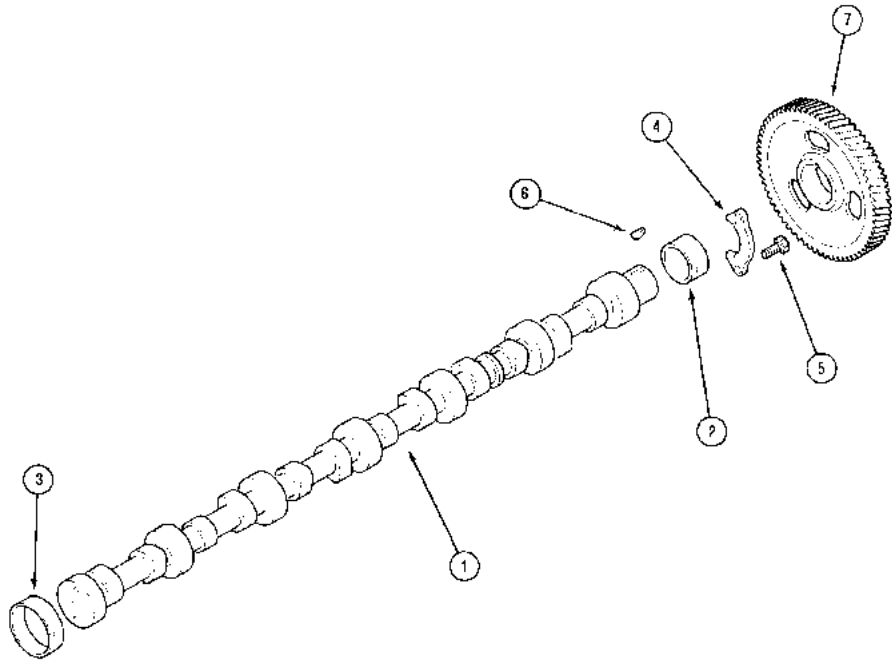
4 x 6,5 mm

M8 x 22

59 mm OD

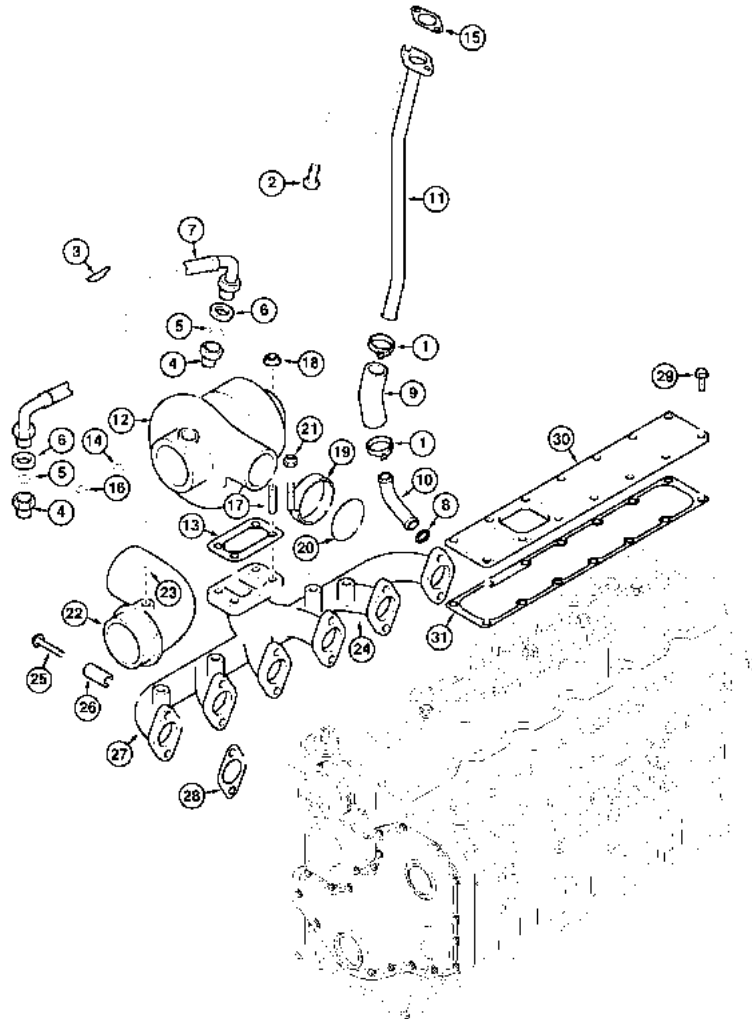
D

FRONT



XTX Series XTX185, XTX200, XTX215 (2005-2007)

2095



- | | | | |
|----|-------------------------|----|--------------|
| 1 | TBA | 2 | Clamp |
| 2 | TBA | 2 | Screw |
| 3 | TBA | 1 | Plug |
| 4 | TBA | 2 | Connector |
| 5 | TBA | 1 | O-Ring |
| 6 | TBA | 1 | O-Ring |
| 7 | TBA | 1 | Hose Assy |
| 8 | TBA | 1 | O-Ring |
| 9 | TBA | 1 | Hose |
| 10 | TBA | 1 | Tube |
| 11 | TBA | 1 | Tube Assy |
| 12 | TBA | 1 | Turbocharg |
| 13 | 702070A1 | 1 | GASKET |
| 14 | TBA | 2 | Seal |
| 15 | 702076A1 ● 702076A2 (1) | 1 | Gasket, Pipe |
| 16 | TBA | 1 | O-Ring |
| 17 | TBA | 4 | Stud |
| 18 | TBA | 4 | Nut |
| 19 | TBA | 1 | Clamp |
| 20 | J883284 | 1 | RING |
| 21 | TBA | 1 | Nut |
| 22 | TBA | 1 | Pipe |
| 23 | TBA | 1 | Plug |
| 24 | TBA | 1 | Manifold |
| 25 | TBA | 12 | Screw |
| 26 | TBA | 12 | Spacer |
| 27 | TBA | 1 | Manifold |
| 28 | TBA | 6 | Gasket, Ma |
| 29 | TBA | 3 | Screw |

2 - Engine

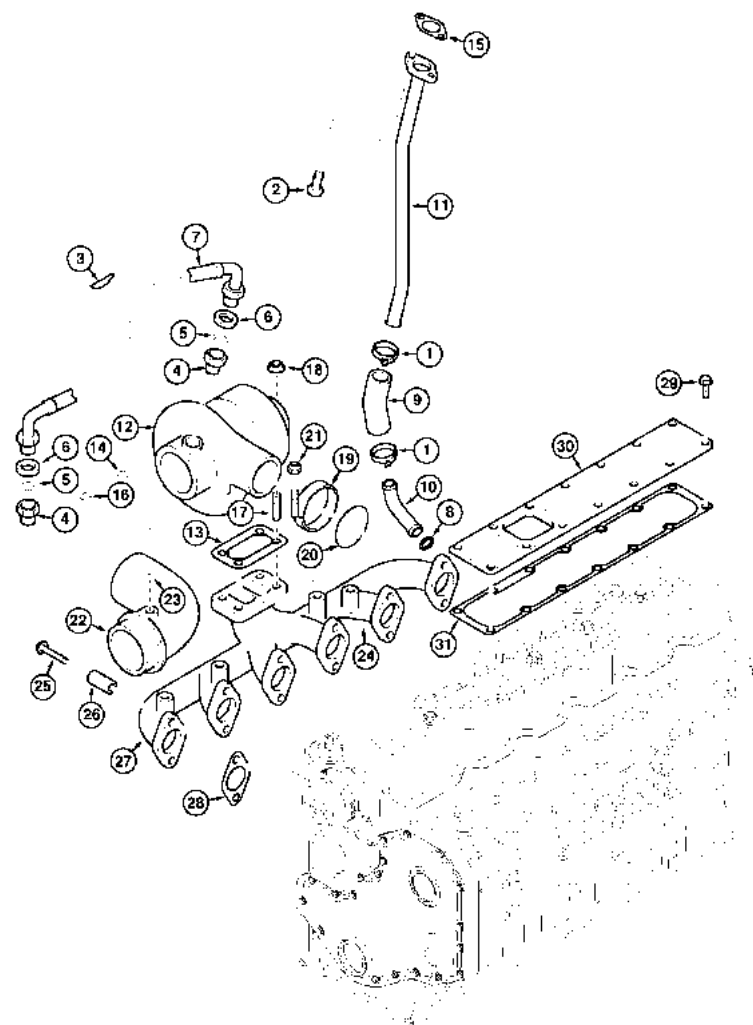
2 -
095

TURBOCHARGER AND CONNECTIONS - XTX215

XTX Series XTX185, XTX200, XTX215 (2005-2007)



2095



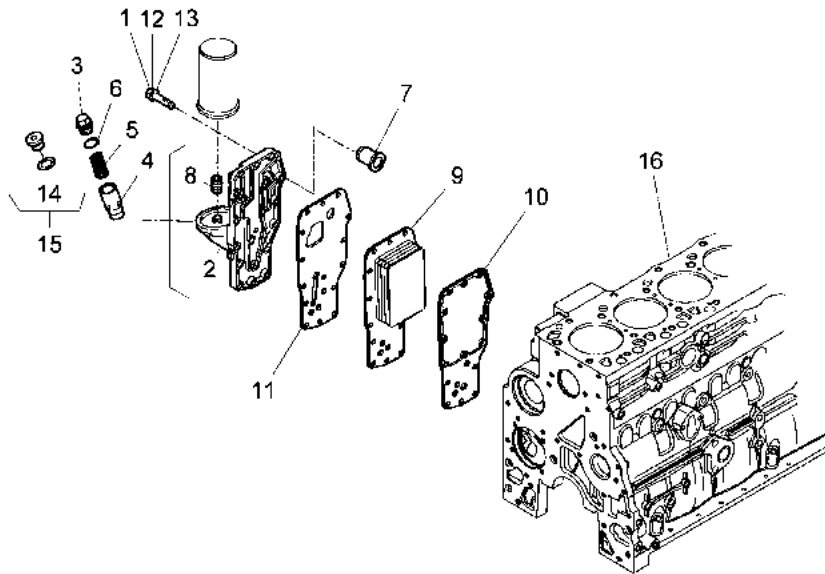
- 30 TBA
- 31 TBA

- 1 Cover
- 1 Gasket, Cover

Includes: 5
Intake
EXHAUST
Includes: 13 - 16

XTX Series XTX185, XTX200, XTX215 (2005-2007)

2097



1	3688823M1	●	704981A1 (10)	10	SCREW
		◄	M8x35		
2	705236A1			1	BODY
3	704768A1	●	708989A1 (1)	1	PLUG
		➔	155899		
4	704888A1			1	VALVE
5	704769A1			1	SPRING
6	704986A1	➔	155899	1	RING
7	3688807M1			1	VALVE
8	3688686M1	●	704732A1 (1)	1	UNION
9	704889A1	●	3689027M2 (1)	1	COOLER
10	3688612M1			1	GASKET
11	3688627M1			1	GASKET
12	3688938M1	●	3688938M2 (2)	2	SCREW
		◄	M8x100		
13	704991A1			3	SCREW
14	4218635M1	➔	155900	1	RING
15	708989A1	➔	155900	1	PLUG
		➔	FROM SERIAL OR ENGINE NUMBER		
		➔	UP TO SERIAL OR ENGINE NUMBER		
		B	FOR IVECO MOTOR		
		◄	LENGTH		

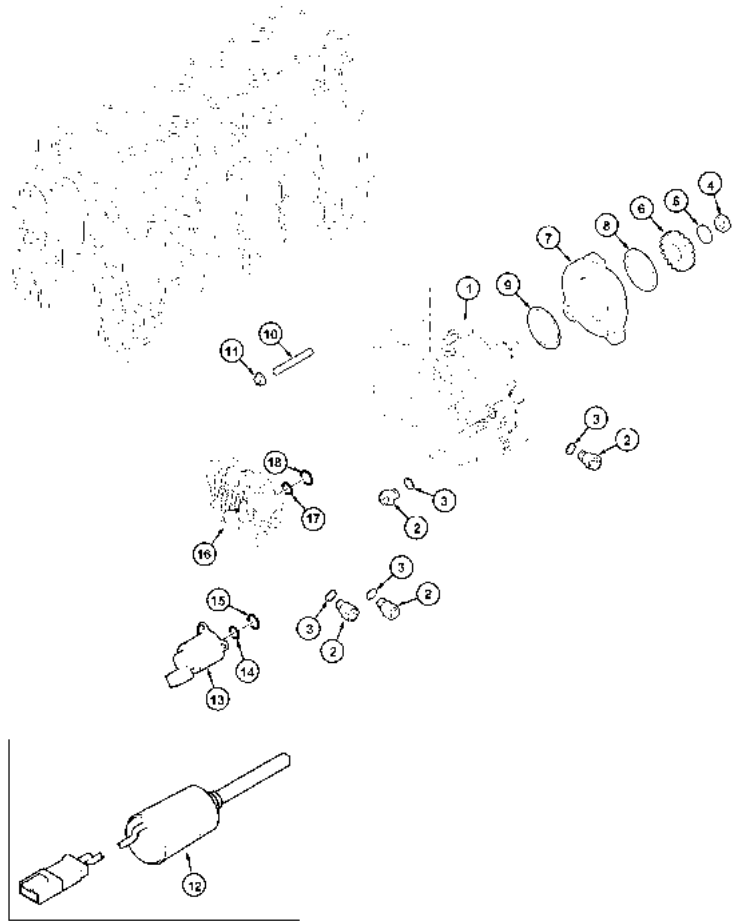
3 - Fuel System

3 -
003

FUEL INJECTION PUMP - XTX185, XTX200

XTX Series XTX185, XTX200, XTX215 (2005-2007)

3003



- | | | | | | |
|----|----------|---|---------------|---|-----------|
| 1 | 704975A1 | ● | 704975A2 (1) | 1 | PUMP |
| 2 | 704740A1 | ● | 6501374M1 (4) | 4 | COUPLER |
| 3 | 707358A1 | | | 4 | SEAL |
| 4 | 704682A1 | | | 1 | Nut |
| 5 | 707359A1 | | | 1 | Washer |
| 6 | 704731A1 | | | 1 | PINION |
| 7 | 705116A1 | | | 1 | SPACER |
| 8 | 704591A1 | | | 1 | RING |
| 9 | 712168A1 | ● | 3689012M1 (1) | 1 | O-Ring |
| 10 | 704575A1 | | | 3 | STUD |
| 11 | 708557A1 | | | 3 | NUT |
| 12 | 705964A1 | | | 1 | Heater |
| 13 | 712169A1 | ● | 3689009M1 (1) | 1 | REGULATOR |
| 14 | 712170A1 | | | 1 | O-Ring |
| 15 | 712171A1 | | | 1 | O-Ring |
| 16 | 713800A1 | ● | 3689010M2 (1) | 1 | Pump |
| 17 | 713801A1 | | | 1 | O-Ring |
| 18 | 713802A1 | | | 1 | O-Ring |

M8

Optional

12V

Includes: 8

M18

Includes: 14,15

Includes: 2 - 5

Fuel

M8 x 50 mm

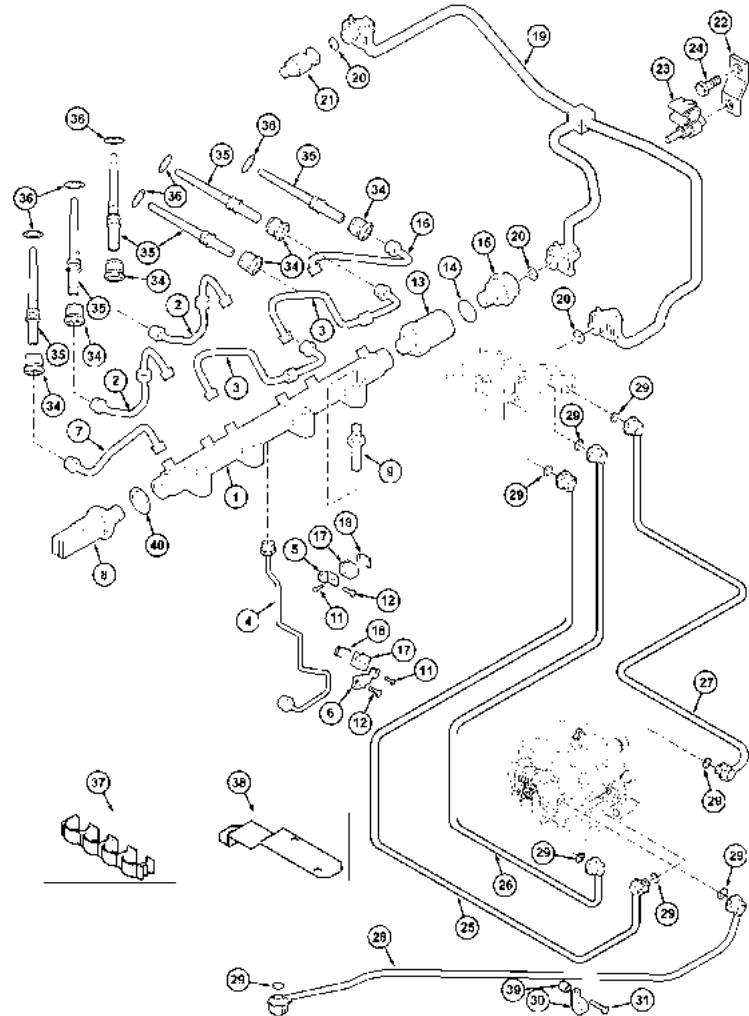
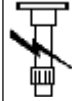
3 - Fuel System

3 -
005

FUEL LINES - XTX185, XTX200

XTX Series XTX185, XTX200, XTX215 (2005-2007)

3005



- | | | | | |
|----|----------|-----------------|---|--------------|
| 1 | 705047A1 | ● 705048A1 (1) | 1 | COUPLING |
| 2 | 707374A1 | | 2 | PIPE |
| 3 | 707375A1 | | 2 | PIPE |
| 4 | 707451A1 | | 1 | PIPE |
| 5 | 705340A1 | | 1 | PIPE |
| 6 | 704958A1 | | 1 | Retainer |
| 7 | 707425A1 | | 1 | PIPE |
| 8 | 704934A1 | ● 6515829M1 (1) | 1 | SENSOR |
| 8 | 713798A1 | ● 6500748M1 (1) | 1 | Sensor Assy |
| 9 | 705148A1 | | 4 | SCREW |
| 10 | 707360A1 | | 1 | WASHER |
| 11 | 704831A1 | | 2 | SCREW |
| 12 | 704997A1 | | 2 | ELBOW |
| 13 | 705057A1 | | 1 | Valve, Check |
| 14 | 704555A1 | | 1 | SEAL |
| 15 | 705059A1 | | 1 | COUPLER |
| 16 | 707426A1 | | 1 | PIPE |
| 17 | 704753A1 | | 4 | Clamp |
| 18 | 704954A1 | | 2 | Plate |
| 19 | 707450A1 | | 1 | PIPE |
| 20 | 707394A1 | | 3 | O RING |

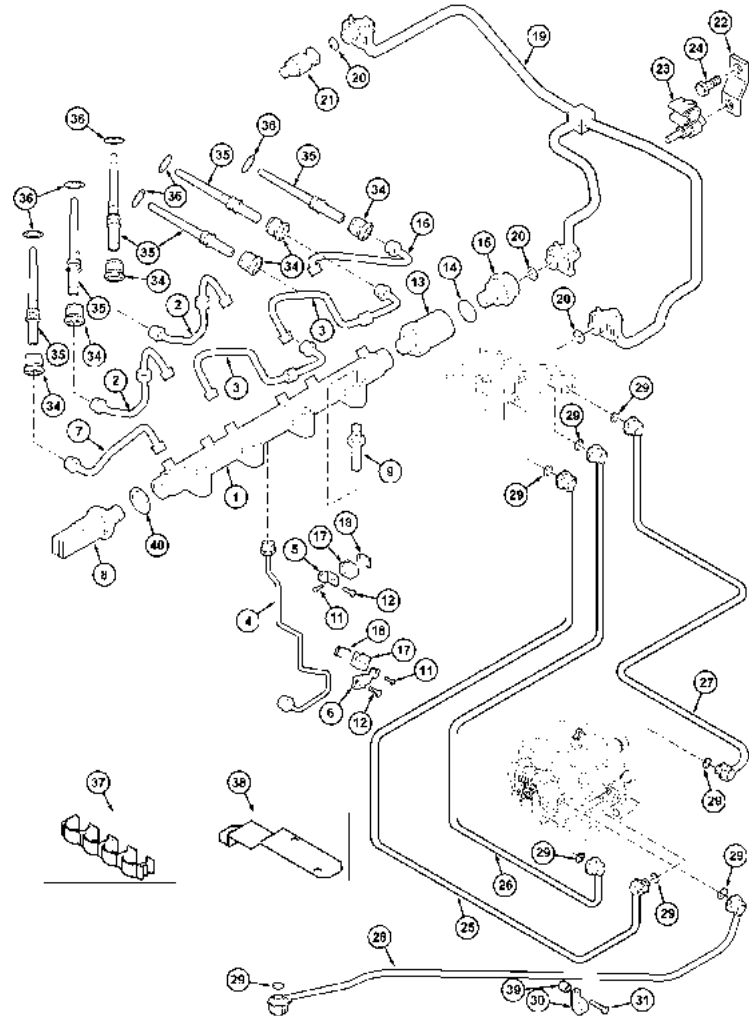
3 - Fuel System

3 -
005

FUEL LINES - XTX185, XTX200

XTX Series XTX185, XTX200, XTX215 (2005-2007)

3005



- | | | | | | |
|----|----------|---|---------------|---|--------------|
| 21 | 707409A1 | ● | 3688806M1 (1) | 1 | Valve, Check |
| 22 | 705352A1 | | | 1 | STIRRUP |
| 23 | 712173A1 | ● | 705191A1 (1) | 1 | CLAMP |
| 24 | 712174A1 | ● | 3688932M1 (1) | 1 | BOLT |
| 25 | 707440A1 | | | 1 | PIPE |
| 26 | 707441A1 | | | 1 | PIPE |
| 27 | 707442A1 | | | 1 | PIPE |
| 28 | 707417A1 | | | 1 | PIPE |
| 29 | 707394A1 | | | 1 | O RING |
| 30 | 704596A1 | | | 1 | STIRRUP |

Includes: 20

Pressure

Includes: 29

M8 x 17 mm

18 x 22 mm

M8 x 16 mm

Engine No.: - 189668

Engine No.: 189668 -

A

NOT ILLUSTRATED

B

CONTINUED

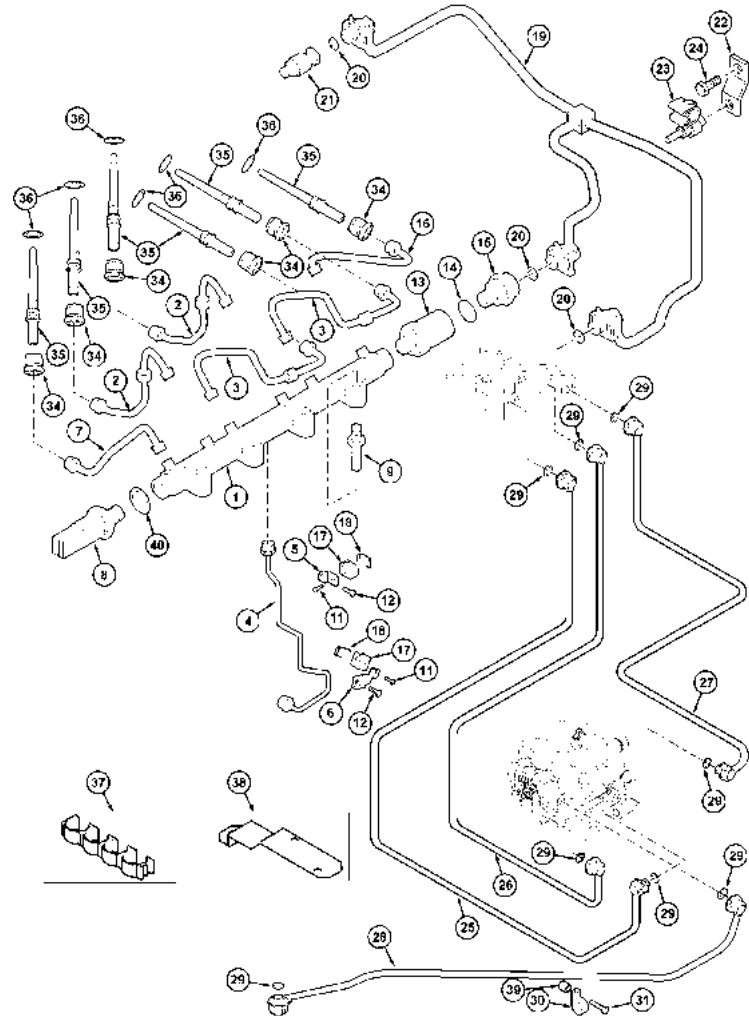
3 - Fuel System

3 -
007

FUEL LINES - XTX185, XTX200

XTX Series XTX185, XTX200, XTX215 (2005-2007)

3007



- | | | |
|----|----------|-------------|
| 31 | 707364A1 | 1 Bolt |
| 32 | 705349A1 | 1 CLIP |
| 33 | 704929A1 | 1 ELBOW |
| 34 | 704736A1 | 6 NUT |
| 35 | 713799A1 | 6 TUBE ASSY |
| 36 | 704689A1 | 1 O RING |
| 37 | 713804A1 | 1 CLAMP |
| 38 | 705125A1 | 1 STIRRUP |
| 39 | 713805A1 | 1 Spacer |
| 40 | 707360A1 | 1 WASHER |

Includes: 36

Engine No.: - 189668

A

NOT ILLUSTRATED

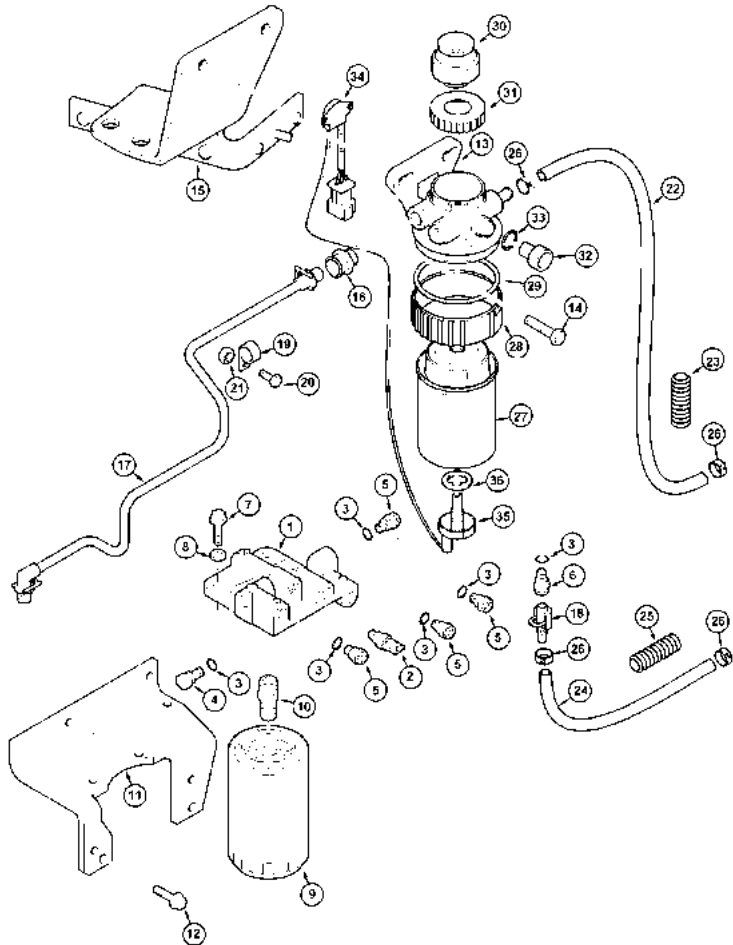
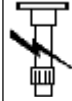
3 - Fuel System

3 -
009

FUEL FILTER - XTX185, XTX200

XTX Series XTX185, XTX200, XTX215 (2005-2007)

3009



- | | | | | |
|----|----------|-----------------|---|--------------|
| 1 | 705297A1 | | 1 | CRANKCASE |
| 2 | 704923A1 | ● 3688813M1 (1) | 1 | SENSOR |
| 3 | 707396A1 | | 6 | WASHER |
| 4 | 704734A1 | | 1 | PLUG |
| 5 | 704690A1 | ● 3688650M1 (4) | 4 | UNION |
| 6 | 704895A1 | | 1 | COUPLER |
| 7 | 704647A1 | | 2 | SCREW |
| 8 | 704645A1 | | 2 | WASHER |
| 9 | 711853A1 | | 1 | FILTER |
| 10 | NSS | | 1 | UNION |
| 11 | 711852A1 | | 1 | SUPPORT |
| 12 | 706313A1 | | 2 | Bolt |
| 13 | 702582A2 | | 1 | FILTER |
| 14 | 844-8025 | ● 2314H004 (2) | 2 | BOLT |
| 15 | 705971A1 | ● 705971A2 (1) | 1 | Bracket Assy |
| 16 | 704000A1 | | 1 | Connector |
| 17 | 702719A1 | | 1 | Pipe |
| 18 | 703999A1 | | 1 | Connector |
| 19 | 515-2195 | | 1 | CLAMP |
| 20 | 844-6020 | | 1 | BOLT |

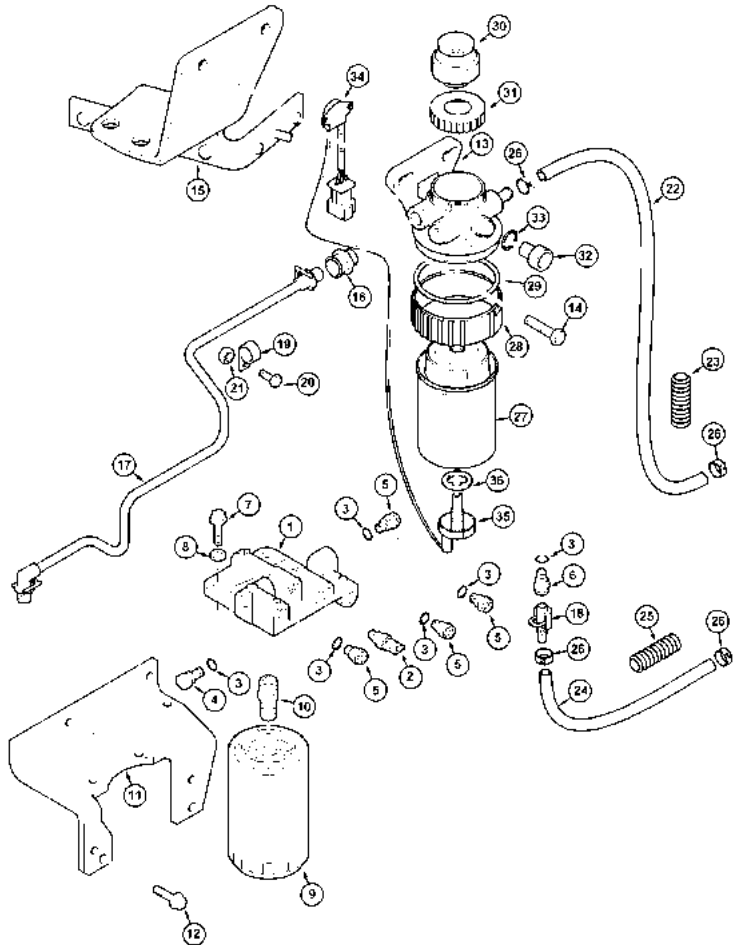
3 - Fuel System

3 -
009

FUEL FILTER - XTX185, XTX200

XTX Series XTX185, XTX200, XTX215 (2005-2007)

3009



- | | | | |
|----|----------|---|------------|
| 21 | 825-2406 | 1 | NUT |
| 22 | 437239A1 | 1 | Hose |
| 23 | 437243A1 | 1 | Conduit |
| 24 | 437240A1 | 1 | HOSE |
| 25 | 437242A1 | 1 | Conduit |
| 26 | A171099 | 4 | CLAMP |
| 27 | 702704A1 | 1 | FILTER |
| 28 | 708859A1 | 1 | FERRULE |
| 29 | 708857A1 | 1 | RING |
| 30 | 708871A1 | 1 | Valve, Ble |
| 31 | 708862A1 | 1 | Collar |
| 32 | 708860A1 | 1 | Screw |
| 33 | 708861A1 | 1 | O-Ring |
| 34 | 708858A1 | 1 | SENSOR |
| 35 | NSS | 1 | Valve, Ble |
| 36 | NSS | 1 | Washer |

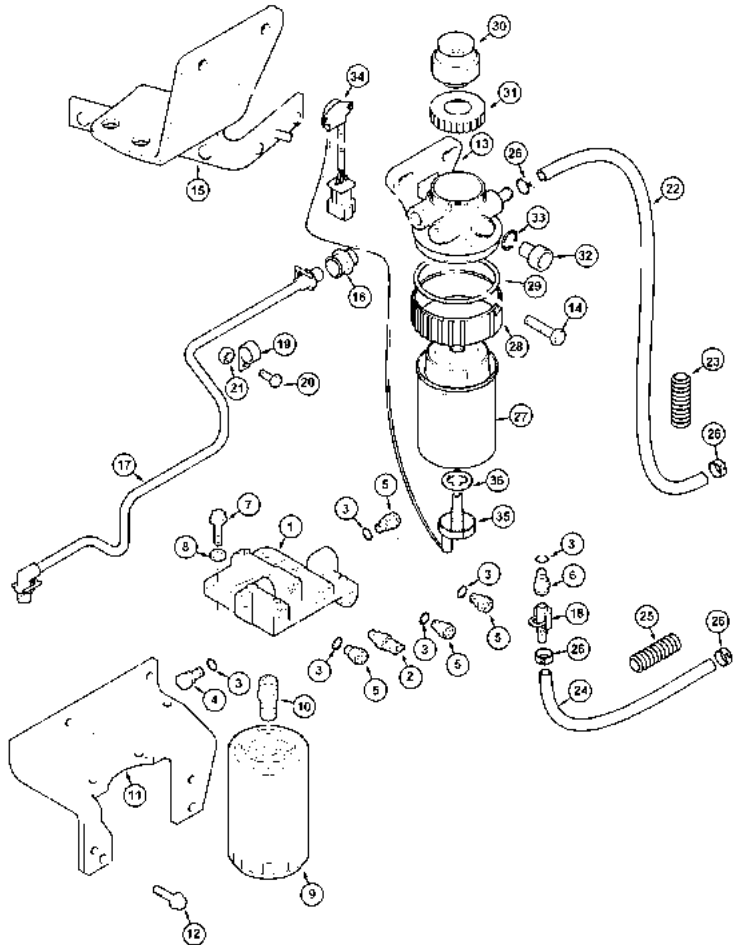
3 - Fuel System

3 -
009

FUEL FILTER - XTX185, XTX200

XTX Series XTX185, XTX200, XTX215 (2005-2007)

3009



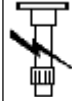
- Cut From: 194881A1
- M8 x 25; 8,8
- Water
- M6; 8
- 1/2 x 3/8
- Pump
- Cut From: 194882A1
- M6 x 20; 8,8
- TEMPERATURE
- Includes: 35,36
- Cut From: 291262A2
- VOSS
- 1600 mm
- 1550 mm
- 1350 mm
- 1260 mm
- M10 x 35
- Includes: 27 - 36
- Includes: 2 - 6,10

3 - Fuel System

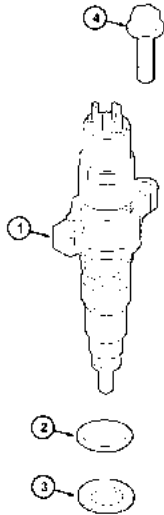
3 -
011

FUEL INJECTION NOZZLE - XTX185, XTX200

XTX Series XTX185, XTX200, XTX215 (2005-2007)



3011



- | | | | | | |
|---|----------|---|---------------|----|--------|
| 1 | 704654A1 | ● | 707380A1 (6) | 6 | NOZZLE |
| 2 | 704688A1 | ● | 3688648M1 (1) | 1 | O RING |
| 3 | 705054A1 | | | 1 | WASHER |
| 4 | 705014A1 | | | 12 | ELBOW |

Includes: 2,3
ELECTRICAL

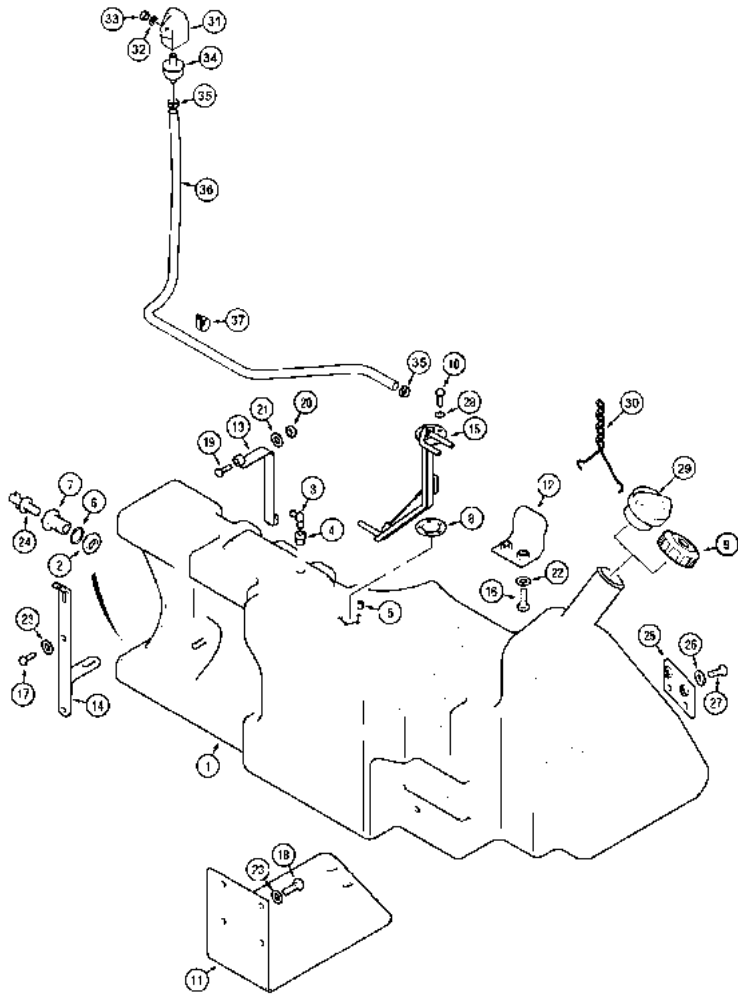
3 - Fuel System

3 -
013

FUEL TANK MOUNTINGS

XTX Series XTX185, XTX200, XTX215 (2005-2007)

3013



- | | | | | |
|----|-----------|------------------|---|------------|
| 1 | 292149A1 | | 1 | TANK |
| 1 | 392502A2 | ● 6500972M92 (1) | 1 | Tank Assy |
| 2 | 1251791C1 | ● N.L.A. (1) | 1 | Nut |
| 3 | 185331A1 | | 1 | UNION |
| 4 | 185332A1 | | 1 | GROMMET |
| 5 | NSS | | 5 | Insert |
| 6 | 238-5210 | | 1 | INSTANT GA |
| 7 | 251361A1 | | 1 | Fitting |
| 8 | 528359R4 | | 1 | GASKET |
| 9 | 277106A1 | | 1 | CAP |
| 10 | 840-1520 | | 5 | SCREW |
| 11 | 239389A5 | ● 239389A6 (1) | 1 | SUPPORT |
| 12 | 239394A4 | ● N.L.A. (1) | 1 | PLATE |
| 13 | 239381A2 | | 1 | STRAP |
| 14 | 239384A2 | | 1 | SUPPORT |
| 15 | 240717A5 | ● 6500970M91 (1) | 1 | SENDER |
| 16 | 627-10030 | ● 3001429X1 (2) | 2 | BOLT |
| 17 | 627-16030 | | 2 | BOLT |

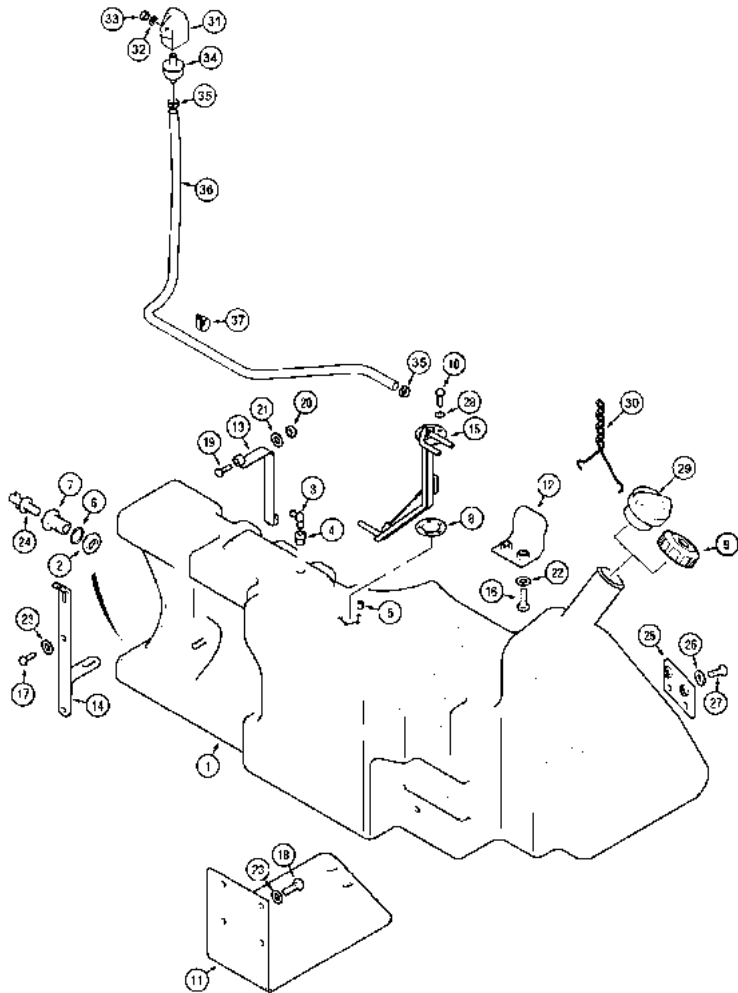
3 - Fuel System

3 -
013

FUEL TANK MOUNTINGS

XTX Series XTX185, XTX200, XTX215 (2005-2007)

3013



- | | | | | |
|----|-----------|------------------|---|---------|
| 18 | 627-16050 | | 4 | BOLT |
| 19 | 811-8060 | | 2 | BOLT |
| 20 | 832-10408 | | 2 | NUT FNS |
| 21 | 895-11008 | | 2 | WASHER |
| 22 | 895-11010 | | 2 | WASHER |
| 23 | 895-15010 | | 6 | WASHER |
| 24 | 217-103 | | 1 | COCK |
| 24 | 217-92 | | 1 | COCK |
| 25 | 239602A3 | ● 3687739M91 (1) | 1 | PLATE |
| 26 | 895-15010 | | 2 | WASHER |
| 27 | 627-10035 | | 2 | BOLT |
| 28 | 895-11005 | | 5 | WASHER |
| 29 | 226384A1 | ● 277106A1 (1) | 1 | Cap |
| 30 | 278374A1 | | 1 | CHAIN |
| 31 | 186814A1 | | 1 | MUFF |
| 32 | 895-11008 | | 1 | WASHER |
| 33 | 829-1408 | | 1 | NUT |
| 34 | T103750 | | 1 | COCK |
| 35 | 1348264C1 | | 2 | CLAMP |

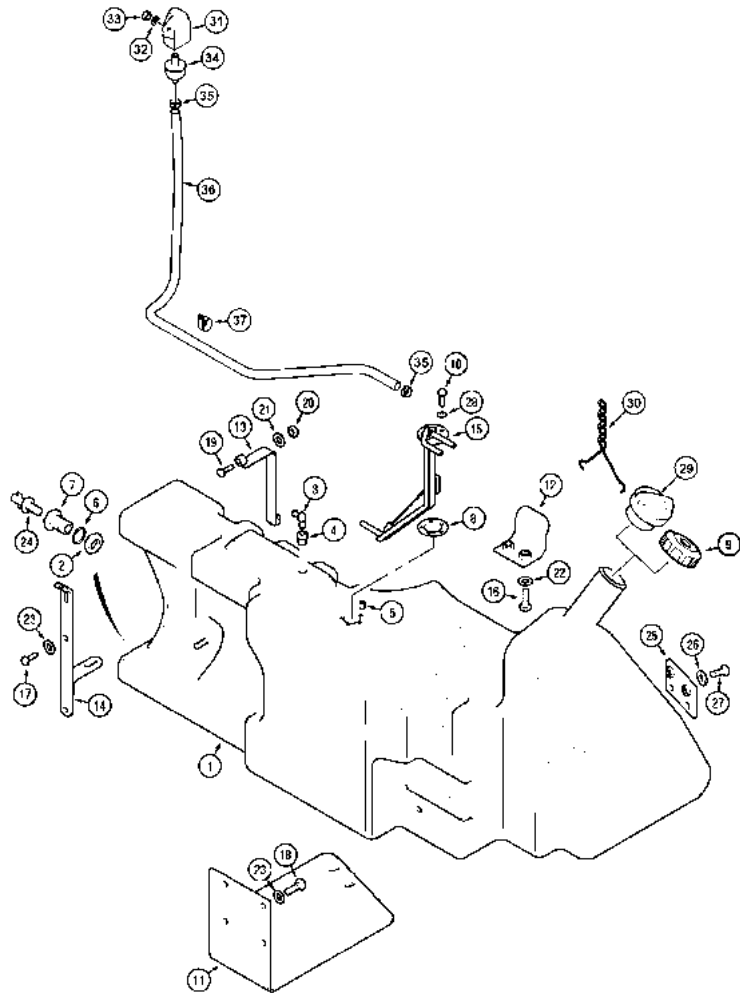
3 - Fuel System

3 -
013

FUEL TANK MOUNTINGS

XTX Series XTX185, XTX200, XTX215 (2005-2007)

3013



- | | | | |
|----|-------------------|---|-------|
| 36 | TBA | 1 | Hose |
| 37 | 515-23159 | 1 | CLAMP |
| | 1/4 PT | | |
| | M8 x 60; 8,8 | | |
| | M8; 8 | | |
| | 9 x 17 x 1,6 mm | | |
| | M8; 10 | | |
| | 11 x 21 x 2 mm | | |
| | 1/4 | | |
| | 5/8 ID | | |
| | 3/8 ID | | |
| | 5,5 x 10 x 1 mm | | |
| | M5 x 20 | | |
| | With Key | | |
| | 11 x 24 x 2 mm | | |
| | Includes: 2 - 7,9 | | |
| | M10 x 30; 10,9 | | |
| | 3/4 ID x 1/8 | | |
| | M16 x 30; 10,9 | | |
| | M10 x 35; 10,9 | | |
| | M16 x 50; 10,9 | | |
| | JAPAN ONLY | | |
| | Order Also: 8 | | |

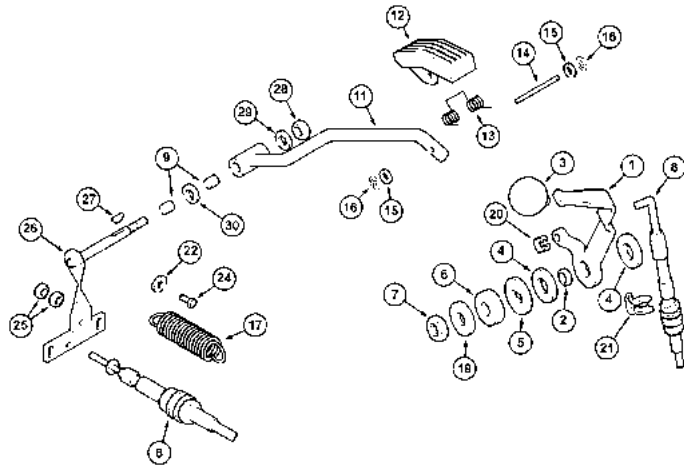
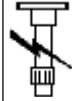
3 - Fuel System

3 -
015

THROTTLE CONTROL - XTX185, XTX200

XTX Series XTX185, XTX200, XTX215 (2005-2007)

3015



- | | | | | | |
|----|-----------|---|--------------|---|------------|
| 1 | 238114A5 | ● | 238114A6 (1) | 1 | LEVER |
| 2 | T101396 | | | 1 | BUSH |
| 3 | 1958759C1 | | | 1 | GRIP |
| 4 | 1531493C1 | | | 2 | WASHER |
| 5 | T101397 | | | 1 | WASHER |
| 6 | T101407 | | | 1 | WASHER |
| 7 | 934286R1 | | | 1 | NUT |
| 8 | 239750A3 | ● | 239750A4 (1) | 1 | CABLE |
| 9 | 1533534C1 | | | 2 | BUSH |
| 10 | 301878A2 | | | 1 | Pedal Assy |
| 11 | 298634A2 | ● | 301878A2 (1) | 1 | ARM |
| 12 | 298842A2 | | | 1 | PAD |
| 13 | 256776A1 | | | 1 | SPRING |
| 14 | 255291A1 | | | 1 | PIN |
| 15 | 895-11005 | | | 2 | WASHER |
| 16 | 800-435 | | | 2 | GASKET |
| 17 | 248913A2 | | | 1 | SPRING |
| 19 | T101398 | | | 1 | WASHER |
| 20 | 229667A1 | | | 1 | CLIP |
| 21 | 3223258R2 | | | 1 | RING |
| 22 | 895-11006 | ● | 390971X1 (4) | 4 | WASHER |
| 24 | 614-6020 | ● | 339666X1 (2) | 2 | BOLT |
| 25 | 825-2406 | | | 2 | NUT |

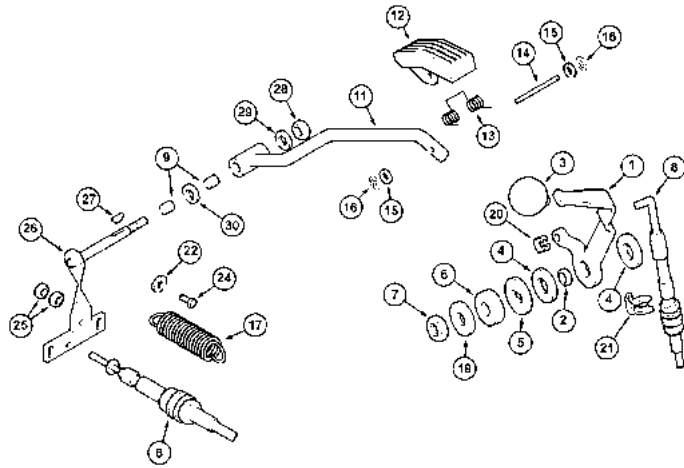
3 - Fuel System

3 -
015

THROTTLE CONTROL - XTX185, XTX200

XTX Series XTX185, XTX200, XTX215 (2005-2007)

3015



- | | | | | |
|----|-----------|----------------|---|---------|
| 26 | 378496A1 | ● 378496A2 (1) | 1 | ROD |
| 27 | 836-4065 | | 1 | KEY |
| 28 | 832-10410 | | 1 | NUT FNS |
| 29 | 896-15010 | | 1 | WASHER |
| 30 | 230347A1 | | 1 | WASHER |

6,6 x 12 x 1,6 mm

M10; 8

M6; 8

5,5 x 10 x 1 mm

M6 x 20; 8,8

8 mm

11 x 24 x 3 mm

4 x 6,5 mm

5 mm

Consists Of: 11 - 16

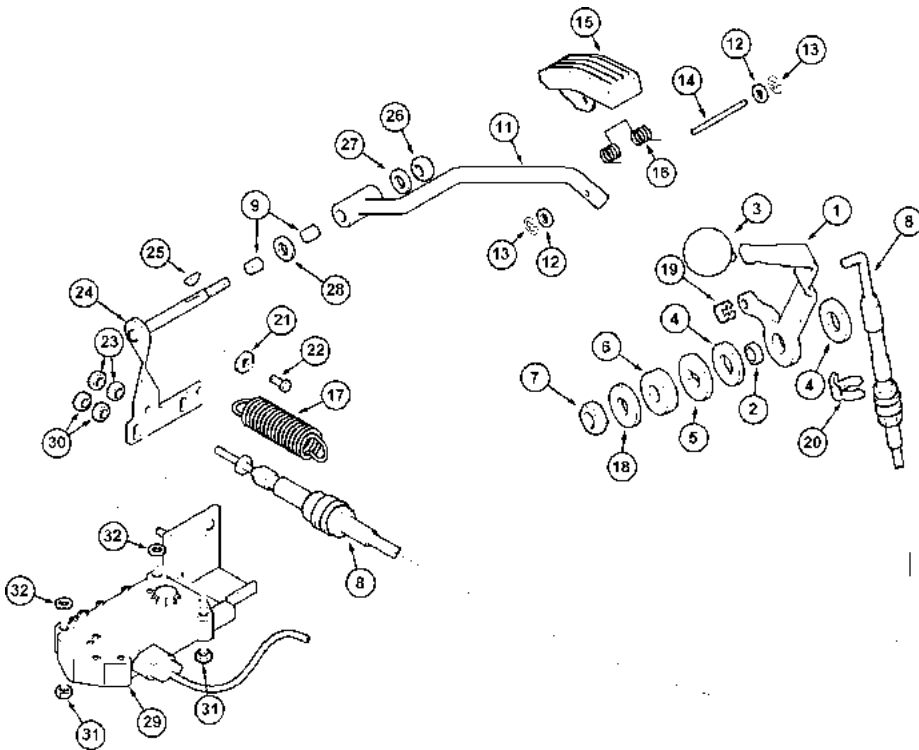
3 - Fuel System

3 -
017

THROTTLE CONTROL - XTX215

XTX Series XTX185, XTX200, XTX215 (2005-2007)

3017



- | | | | | | |
|----|-----------|---|--------------|---|------------|
| 1 | 238114A5 | ● | 238114A6 (1) | 1 | LEVER |
| 2 | T101396 | | | 1 | BUSH |
| 3 | 1958759C1 | | | 1 | GRIP |
| 4 | 1531493C1 | | | 2 | WASHER |
| 5 | T101397 | | | 1 | WASHER |
| 6 | T101407 | | | 1 | WASHER |
| 7 | 934286R1 | | | 1 | NUT |
| 8 | 239750A3 | ● | 239750A4 (1) | 1 | CABLE |
| 9 | 1533534C1 | | | 2 | BUSH |
| 10 | 301878A2 | | | 1 | Pedal Assy |
| 11 | 298634A2 | ● | 301878A2 (1) | 1 | ARM |
| 12 | 895-11005 | | | 2 | WASHER |
| 13 | 800-435 | | | 2 | GASKET |
| 14 | 255291A1 | | | 1 | PIN |
| 15 | 298842A2 | | | 1 | PAD |
| 16 | 256776A1 | | | 1 | SPRING |
| 17 | 248913A2 | | | 1 | SPRING |
| 18 | T101398 | | | 1 | WASHER |
| 19 | 229667A1 | | | 1 | CLIP |
| 20 | 800-4313 | | | 1 | RING |
| 21 | 895-11006 | ● | 390971X1 (2) | 2 | WASHER |
| 22 | 614-6020 | ● | 339666X1 (2) | 2 | BOLT |

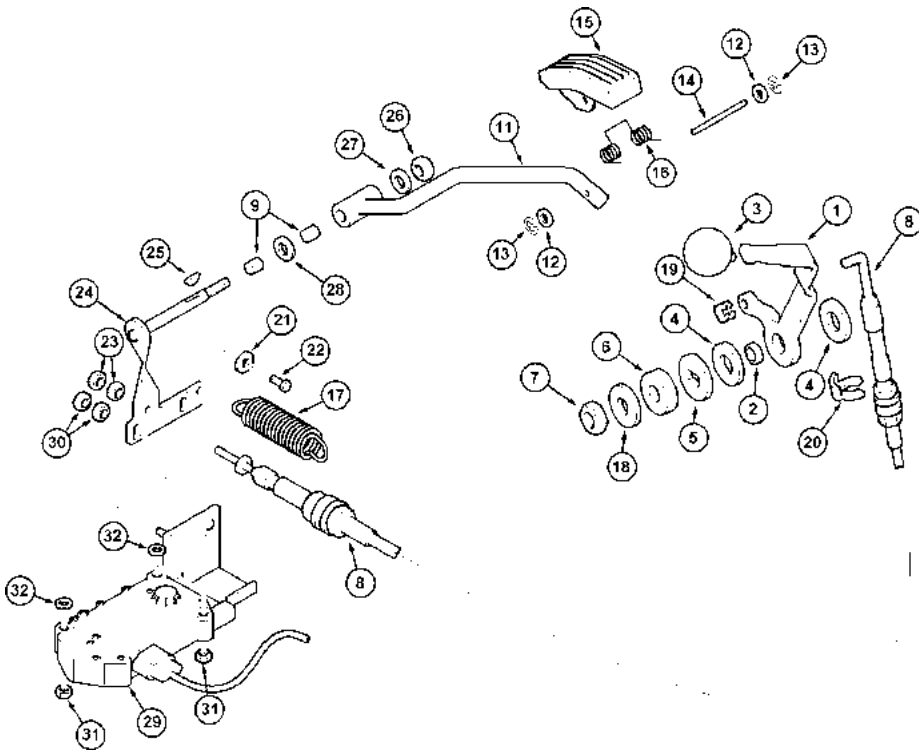
3 - Fuel System

3 -
017

THROTTLE CONTROL - XTX215

XTX Series XTX185, XTX200, XTX215 (2005-2007)

3017



- | | | | | | |
|----|-----------|---|--------------|---|---------|
| 23 | 825-2406 | | | 2 | NUT |
| 24 | 378496A1 | ● | 378496A2 (1) | 1 | ROD |
| 25 | 836-4065 | | | 1 | KEY |
| 26 | 832-10410 | | | 1 | NUT FNS |
| 27 | 896-15010 | | | 1 | WASHER |
| 28 | 230347A1 | | | 1 | WASHER |
| 29 | 452567A1 | ● | N.L.S. (1) | 1 | VALVE |
| 30 | TBA | | | 2 | Nut |
| 31 | TBA | | | 3 | Nut |
| 32 | TBA | | | 3 | Washer |

6,6 x 12 x 1,6 mm

M10; 8

M6; 8

5,5 x 10 x 1 mm

13 mm

M6 x 20; 8,8

8 mm

11 x 24 x 3 mm

4 x 6,5 mm

5 mm

Consists Of: 11 - 16

Includes: 30 - 32

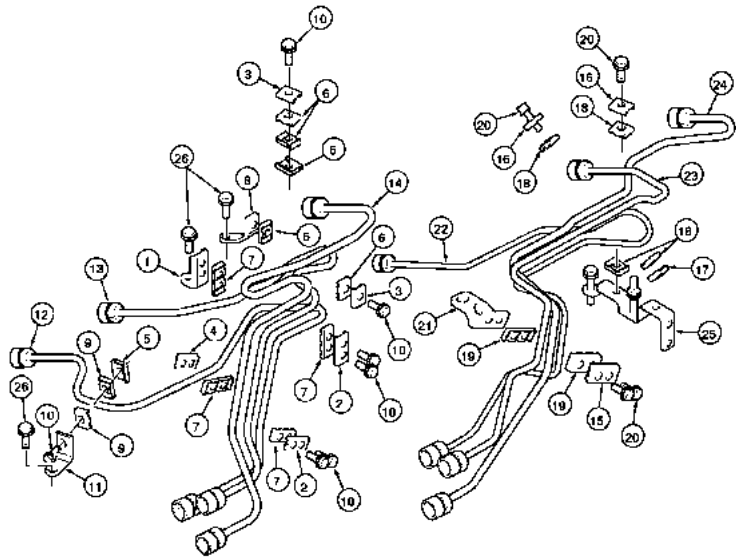
3 - Fuel System

3 -
019

FUEL LINES - XTX215

XTX Series XTX185, XTX200, XTX215 (2005-2007)

3019



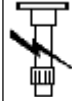
- | | |
|--------|------------|
| 1 TBA | 1 Brace |
| 1 TBA | 1 Kit |
| 2 TBA | 2 Brace |
| 3 TBA | 2 Brace |
| 4 TBA | 1 Brace |
| 5 TBA | 2 Brace |
| 6 TBA | 4 Isolator |
| 7 TBA | 4 Isolator |
| 8 TBA | 1 Brace |
| 9 TBA | 2 Isolator |
| 10 TBA | 7 Screw |
| 11 TBA | 1 Brace |
| 12 TBA | 1 Pipe |
| 13 TBA | 1 Pipe |
| 14 TBA | 1 Pipe |
| 15 TBA | 1 Kit |
| 15 TBA | 1 Brace |
| 16 TBA | 2 Brace |
| 17 TBA | 1 Brace |
| 18 TBA | 4 Isolator |
| 19 TBA | 2 Isolator |
| 20 TBA | 4 Screw |
| 21 TBA | 1 Brace |
| 22 TBA | 1 Pipe |
| 23 TBA | 1 Pipe |
| 24 TBA | 1 Pipe |

3 - Fuel System

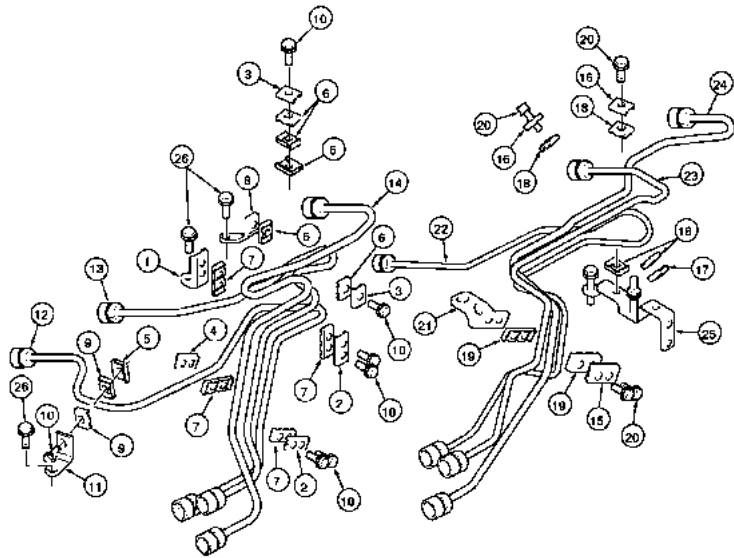
3 -
019

FUEL LINES - XTX215

XTX Series XTX185, XTX200, XTX215 (2005-2007)



3019



25 TBA
26 TBA

1 Brace
0 Bolt

Cylinder: 1

Cylinder: 2

Cylinder: 3

Cylinder: 4

Cylinder: 5

Cylinder: 6

Consists Of: Brace, 2 - 14

Consists Of: Brace, 16 - 25

3 - Fuel System

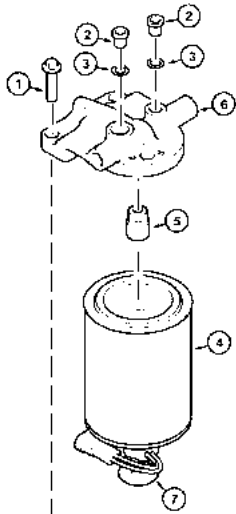
3 -
021

FUEL FILTER - XTX215

XTX Series XTX185, XTX200, XTX215 (2005-2007)



3021



- 1 TBA
- 2 TBA
- 3 TBA
- 4 702618A1
- 5 TBA
- 6 TBA
- 7 TBA

- 1 Screw
- 2 Plug
- 1 O-Ring
- 1 FILTER
- 2 Adapter
- 1 Head
- 1 Sensor

Includes: 3

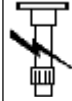
3 - Fuel System

3 -
023

LIFT PUMP - XTX215

XTX Series XTX185, XTX200, XTX215 (2005-2007)

3023

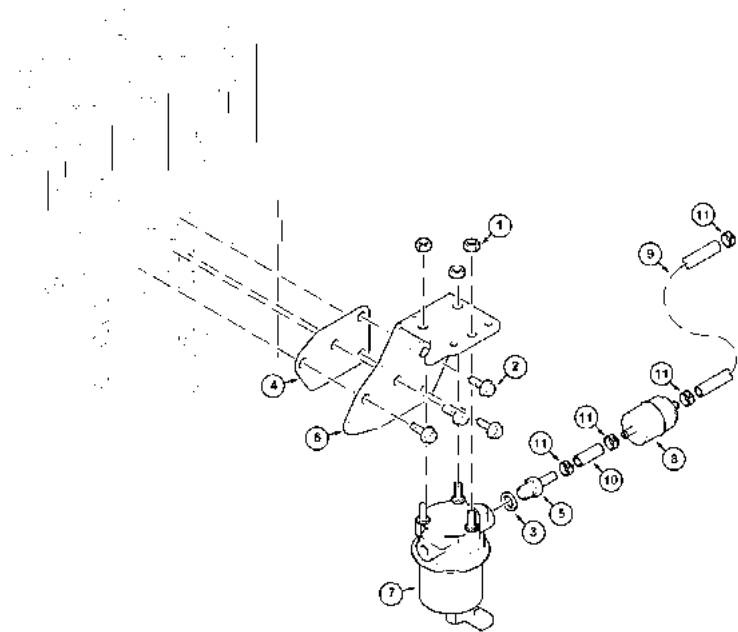


- | | | | |
|----|-----------|---|---------------|
| 1 | TBA | 3 | Nut |
| 2 | TBA | 4 | Screw |
| 3 | TBA | 1 | Washer |
| 4 | TBA | 1 | Gasket, Plate |
| 5 | TBA | 1 | Coupling |
| 6 | TBA | 1 | Bracket |
| 7 | 702055A1 | 1 | PUMP |
| 8 | D139225 | 1 | FILTER |
| 9 | TBA | 1 | Hose |
| 10 | 1348239C1 | 1 | HYDR HOSE |
| 11 | 1348264C1 | 1 | CLAMP |

If So Equipped

3/8 ID

78 mm (3-1/8 in)



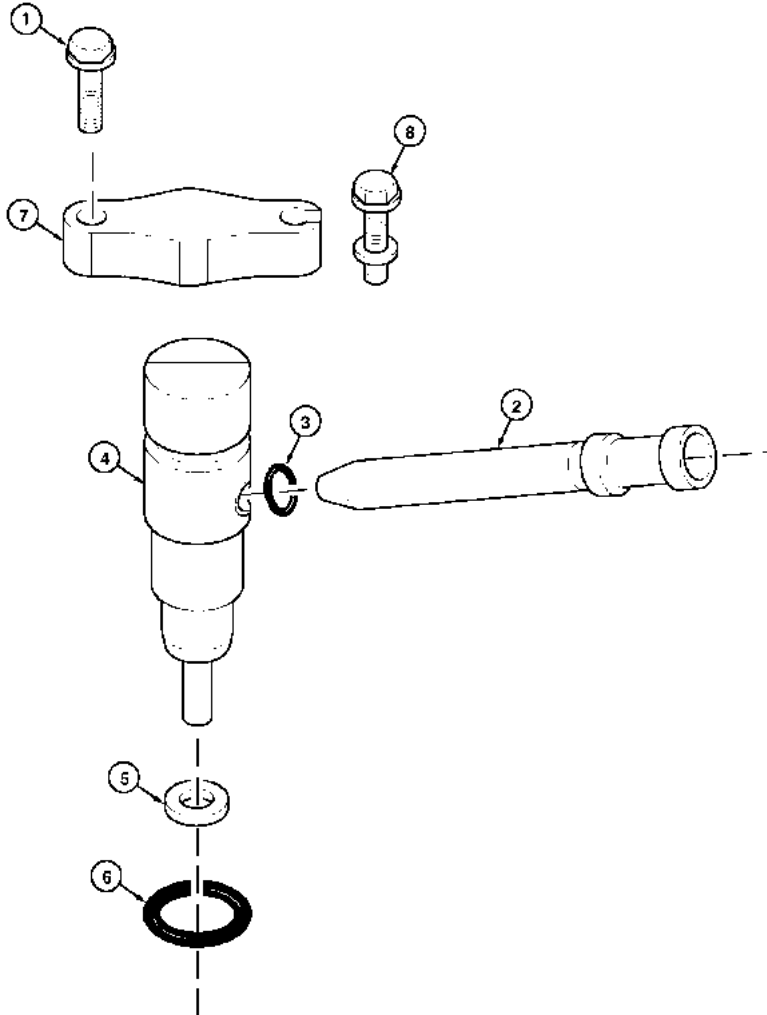
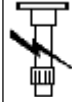
3 - Fuel System

3 -
025

FUEL INJECTION NOZZLE - XTX215

XTX Series XTX185, XTX200, XTX215 (2005-2007)

3025



- | | | | | |
|---|----------|----------------|---|-----------|
| 1 | TBA | | 6 | Screw |
| 2 | TBA | | 6 | Connector |
| 3 | 702065A1 | ● 702065A2 (1) | 1 | O-Ring |
| 4 | 702066A1 | | 6 | NOZZLE |
| 5 | 702068A1 | | 1 | GASKET |
| 6 | 702067A1 | | 1 | O-Ring |
| 7 | 702069A1 | | 6 | Clamp |
| 8 | TBA | | 6 | Screw |

Includes: 3

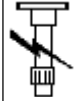
Includes: 5,6

3 - Fuel System

3 -
027

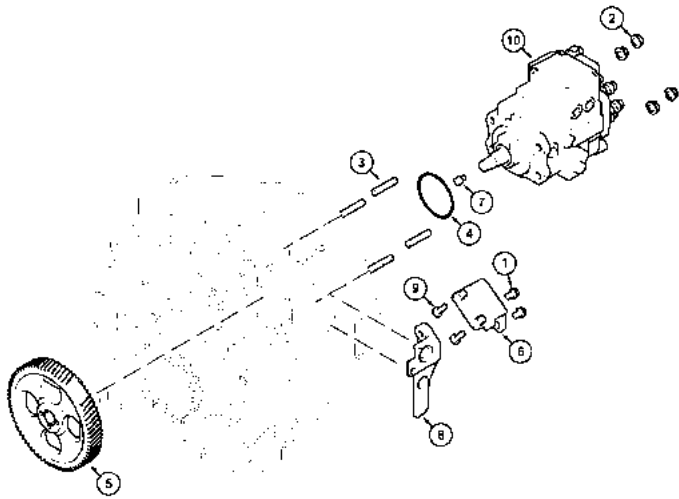
FUEL INJECTION PUMP - XTX215

XTX Series XTX185, XTX200, XTX215 (2005-2007)



3027

- | | | | |
|----|-----|---|------------|
| 1 | TBA | 2 | Screw |
| 2 | TBA | 4 | Nut |
| 3 | TBA | 4 | Stud |
| 4 | TBA | 1 | Seal |
| 5 | TBA | 1 | Gear |
| 6 | TBA | 1 | Brace |
| 7 | TBA | 1 | Dowel |
| 8 | TBA | 1 | Support |
| 9 | TBA | 1 | Screw |
| 10 | TBA | 1 | Pump, Inje |

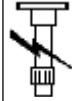


3 - Fuel System

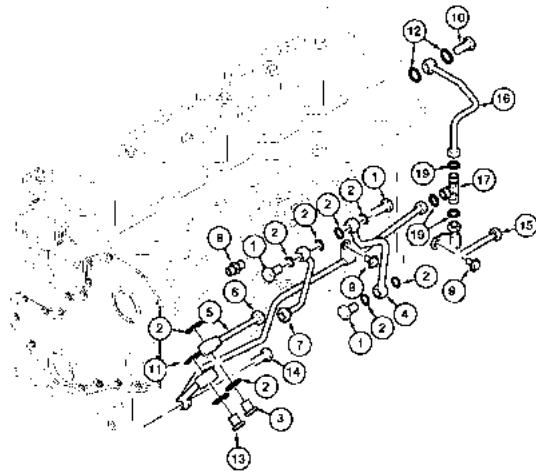
3 -
029

FUEL LINES AND FILTER SYSTEM - XTX215

XTX Series XTX185, XTX200, XTX215 (2005-2007)



3029



- | | | | |
|----|-----|---|--------------|
| 1 | TBA | 3 | Bolt, Banjo |
| 2 | TBA | 8 | Washer |
| 3 | TBA | 1 | Bolt, Banjo |
| 4 | TBA | 1 | Tube |
| 5 | TBA | 1 | Tube |
| 5 | TBA | 1 | Tube Assy |
| 6 | TBA | 2 | Clamp |
| 7 | TBA | 1 | Tube |
| 8 | TBA | 1 | Hose |
| 9 | TBA | 2 | Screw |
| 10 | TBA | 1 | Bolt, Banjo |
| 11 | TBA | 3 | Washer |
| 12 | TBA | 2 | Washer |
| 13 | TBA | 1 | Valve, Check |
| 14 | TBA | 2 | Bolt, Banjo |
| 15 | TBA | 1 | Tube |
| 16 | TBA | 1 | Tube |
| 17 | TBA | 1 | Connector |
| 18 | TBA | 1 | Tube |
| 19 | TBA | 2 | Seal |

Consists Of: Tube,6 - 8

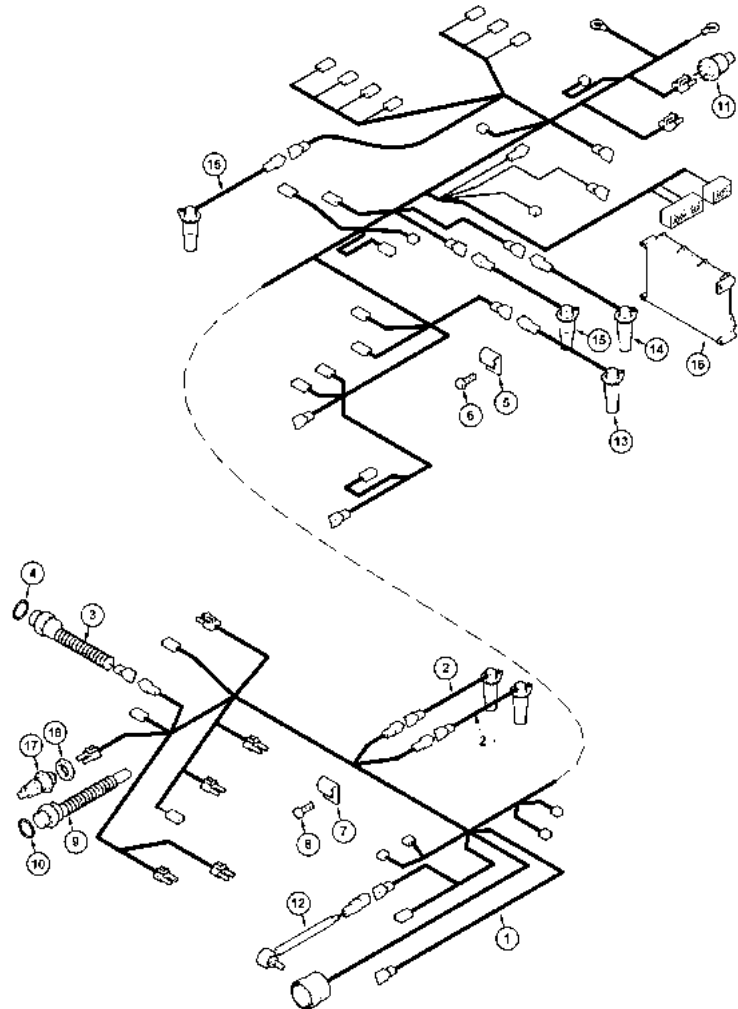
4 - Electrical System

4 -
003

HARNESS - TRANSMISSION

XTX Series XTX185, XTX200, XTX215 (2005-2007)

4003



- | | | | | |
|---|-----------|------------------|---|--------------|
| 1 | 712390A3 | | 1 | Harness Assy |
| 1 | 712391A3 | | 1 | Harness Assy |
| 2 | 709254A3 | ● N.L.S. (2) | 2 | SENSOR |
| | | | | |
| 3 | 392216A1 | ● 6507300M91 (1) | 1 | SENSOR |
| | | | | |
| 4 | 637-63173 | | 1 | GASKET |
| 5 | 516-23158 | | 4 | CLAMP |
| 6 | 614-10016 | | 1 | BOLT |
| 7 | 515-2179 | | 1 | CLAMP |
| 7 | 516-23190 | | 2 | CLAMP |
| 8 | 614-10016 | | 1 | BOLT |
| 9 | 238077A1 | | 1 | SENDER |

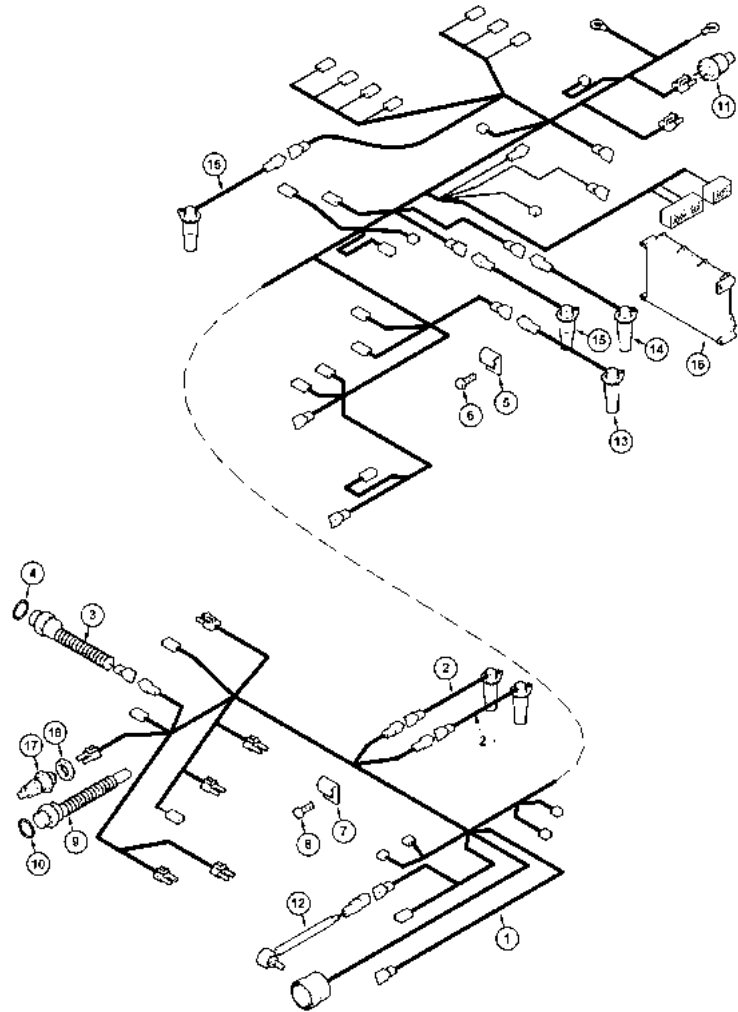
4 - Electrical System

4 -
003

HARNESS - TRANSMISSION

XTX Series XTX185, XTX200, XTX215 (2005-2007)

4003



10	238-5115		
11	243803A2		
12	393795A1	● 192231A1 (1) 122756A3 (1)	1 INSTANT GA 1 INDICATOR 1 POTENTIOME
13	709255A3		2 SENSOR
14	705457A3	● N.L.S. (1)	1 SENSOR
15	705456A3	● N.L.S. (2)	2 SENSOR
16	710158A7	● 716200A5 (1)	1 Module
16	710160A5		1 SOFTWARE

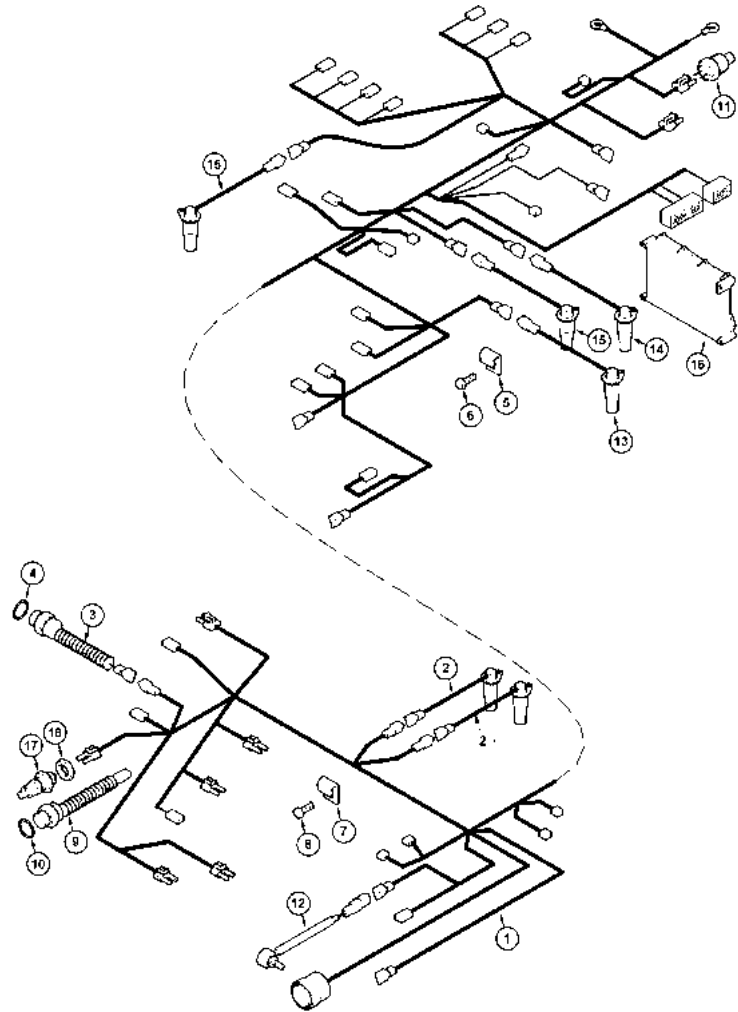
4 - Electrical System

4 -
003

HARNESS - TRANSMISSION

XTX Series XTX185, XTX200, XTX215 (2005-2007)

4003



17 177499A2

1 SWITCH

18 188603A1

1 NUT

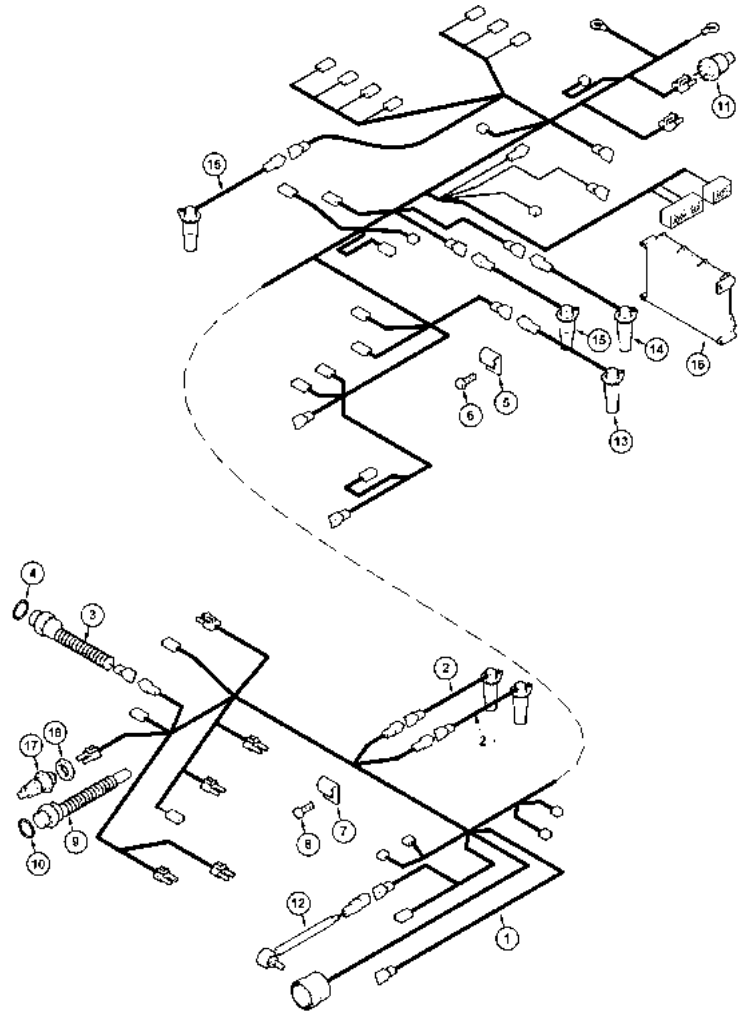
4 - Electrical System

4 -
003

HARNESS - TRANSMISSION

XTX Series XTX185, XTX200, XTX215 (2005-2007)

4003



- Includes: 18
- M10 x 16; 8,8
- Europe Only
- N.A. Only
- M16
- Position
- SPEED
- 11/16 ID x 7/8
- 1/2 x 5/8
- Hitch
- MAGNETIC
- Spectrol UK
- Transmission
- High - Low
- Axle
- 17,3 ID x 2,2 mm
- 7,9 mm
- Oil Temperature
- #XTX-M
- #XTX-E / Eplus
- 20V/58mm
- P.T.O.: 540/1000
- 5V/35mm
- Range: 1&2,3&4
- 20V/88mm
- 20V/35mm
- Includes: 710160A5

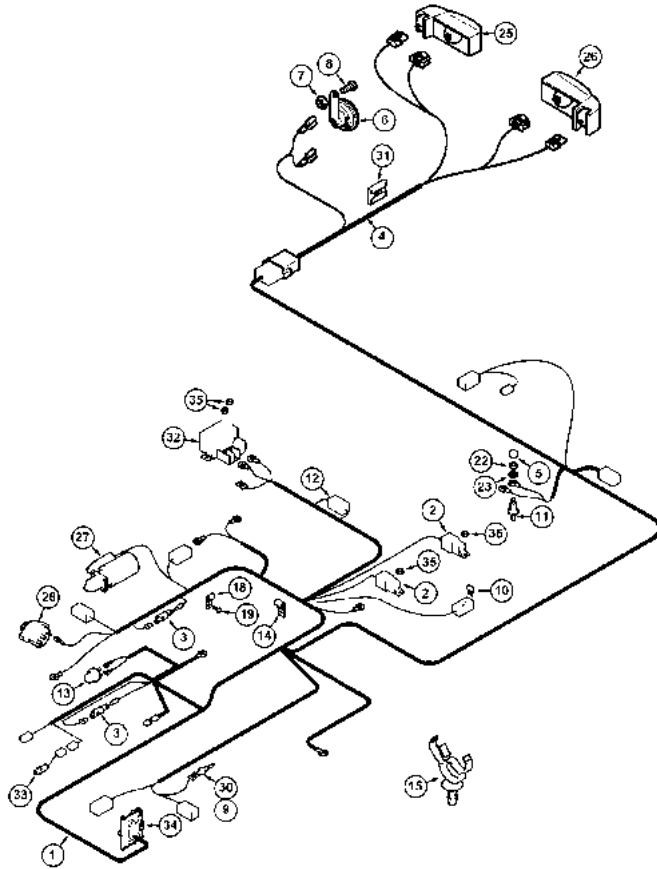
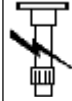
4 - Electrical System

4 -
005

HARNESS - ENGINE - XTX185, XTX200

XTX Series XTX185, XTX200, XTX215 (2005-2007)

4005



- | | | | |
|----|-----------|---|--------------|
| 1 | 709871A2 | 1 | Harness Assy |
| 2 | 700788A1 | 2 | RELAY |
| 3 | 113699A1 | 2 | RELAY |
| 4 | 701888A1 | 1 | HARNESS |
| 5 | 399470R1 | 1 | Insulator |
| 6 | 452205A1 | 1 | HORN |
| 7 | 825-2406 | 1 | NUT |
| 8 | 844-6025 | 1 | BOLT |
| 9 | 143417A3 | 1 | SENSOR |
| 10 | 706612A1 | 1 | Fuse |
| 11 | REF | 1 | Block, Con |
| 12 | 706565A1 | 1 | FUSE |
| 13 | 279492A1 | 1 | SWITCH |
| 14 | 516-23158 | 1 | CLAMP |
| 15 | 1990594C1 | 1 | CLIP |
| 18 | 229357A1 | 1 | CLAMP |
| 19 | 614-12020 | 2 | BOLT |

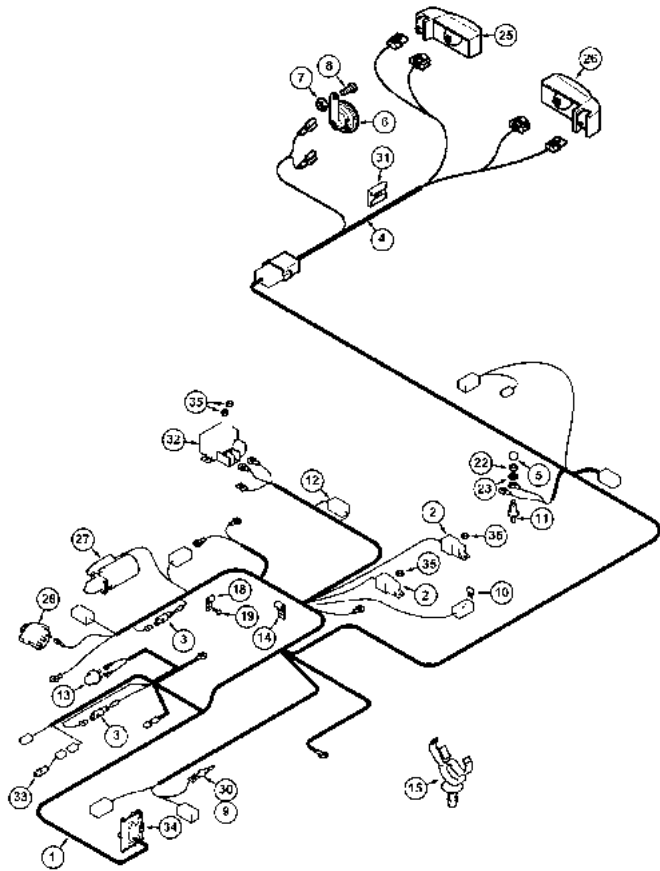
4 - Electrical System

4 -
005

HARNESS - ENGINE - XTX185, XTX200

XTX Series XTX185, XTX200, XTX215 (2005-2007)

4005



- | | | | | |
|-----|-----------|-------------------------------|---|--------------|
| 22 | 425-146 | | 1 | NUT |
| 23 | 492-11038 | | 1 | Washer, Lock |
| 25 | REF | | 1 | Lamp, Head |
| 26 | REF | | 1 | Lamp, Head |
| 27 | REF | | 1 | Starter |
| 28 | REF | | 1 | Alternator |
| 30 | 3221520R1 | ● 3543102M1 (1) | 1 | CAP |
| 31 | 3223490R2 | ● 3548091M1 (0)
N.L.A. (0) | 0 | RETAINER |
| 32 | 701637A1 | | 1 | RELAY |
| 33 | REF | | 1 | Switch Assy |
| 34 | TBA | | 1 | Module |
| 35 | 825-2406 | | 4 | NUT |
| 200 | B17503 | | 1 | Loctite |

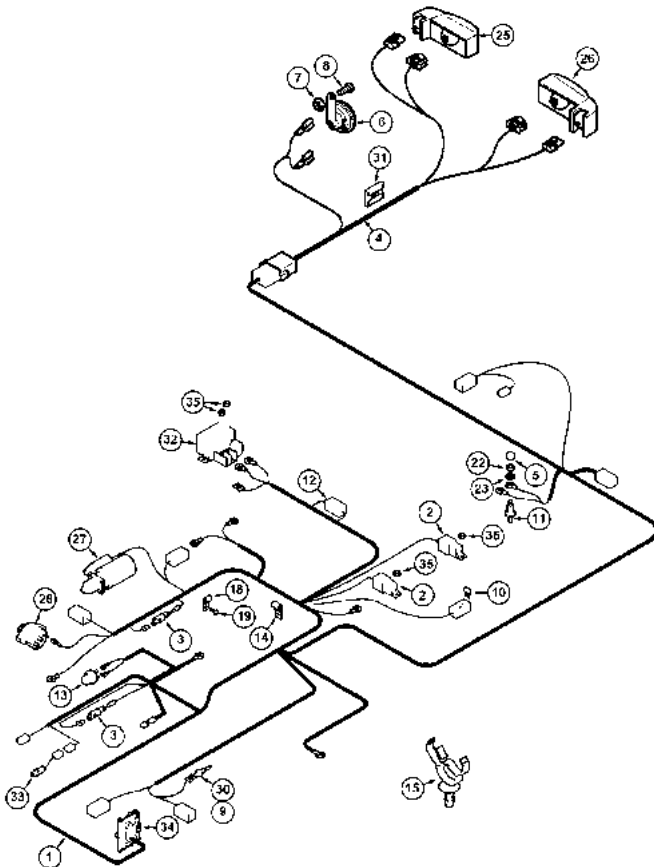
4 - Electrical System

4 -
005

HARNESS - ENGINE - XTX185, XTX200

XTX Series XTX185, XTX200, XTX215 (2005-2007)

4005



- M6; 8
- 3/8
- 12V
- 20 AMP
- Air Filter
- Starter
- 25 x 32 mm
- 200 amp
- HEATER
- 35 amp
- See Page(s): 2-23
- 1/2 x 5/8
- Air Conditioning
- HIGH PRESSURE
- See Page(s): 4-35
- See Page(s): 4-67
- M12 x 20; 8,8
- M6 x 25; 8,8
- 25,4 mm
- See Page(s): 4-61,63
- 125 Amp.
- Coolant Level
- Sender
- See Page(s): 4-73,75
- See Page(s): 4-7
- D
- FRONT

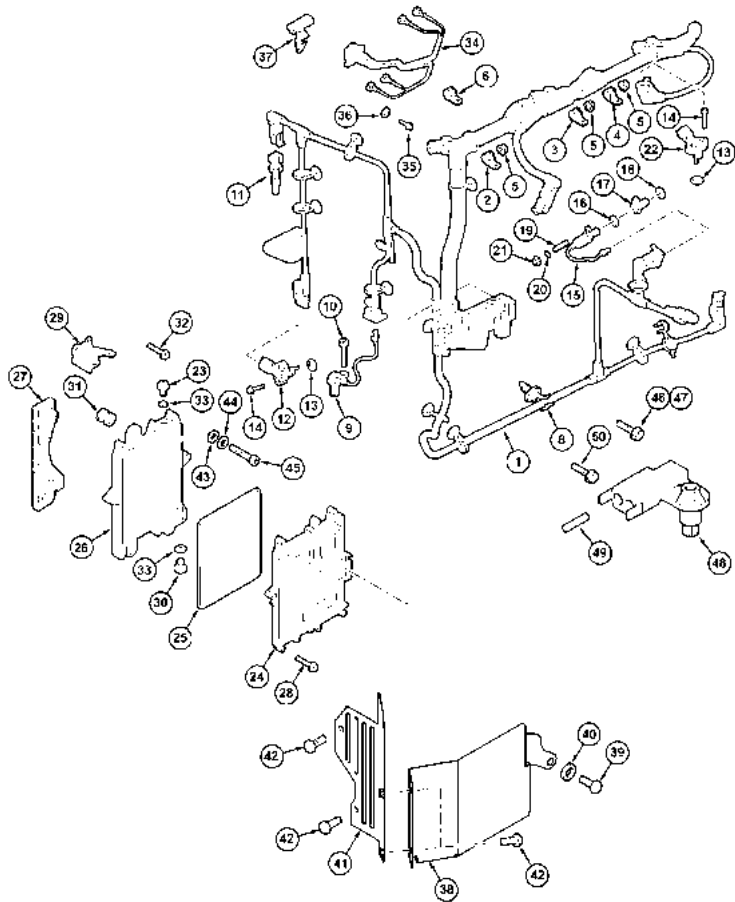
4 - Electrical System

4 -
007

HARNESS - ENGINE - XTX185, XTX200

XTX Series XTX185, XTX200, XTX215 (2005-2007)

4007



- | | | | | |
|----|----------|-----------------|---|-------------|
| 1 | 705245A1 | | 1 | CABLE |
| 2 | 704594A1 | | 1 | STIRRUP |
| 3 | 704593A1 | | 1 | STIRRUP |
| 4 | 704592A1 | | 1 | STIRRUP |
| 5 | 704581A1 | ● 3688947M1 (3) | 3 | NUT |
| 6 | 707369A1 | | 1 | Clip |
| 7 | 705013A1 | | 3 | ELBOW |
| 8 | 705180A1 | | 1 | CLIP |
| 9 | 704677A1 | | 1 | SENSOR |
| 10 | 705007A1 | | 3 | INSERT |
| 11 | 704923A1 | ● 3688813M1 (1) | 1 | SENSOR |
| 12 | 704679A1 | ● 3688640M2 (1) | 1 | SENSOR |
| 13 | 704862A1 | ● 3688797M1 (1) | 1 | O RING |
| 14 | 705021A1 | | 4 | ELBOW |
| 15 | 704678A1 | ● 707382A1 (1) | 1 | Sensor Assy |

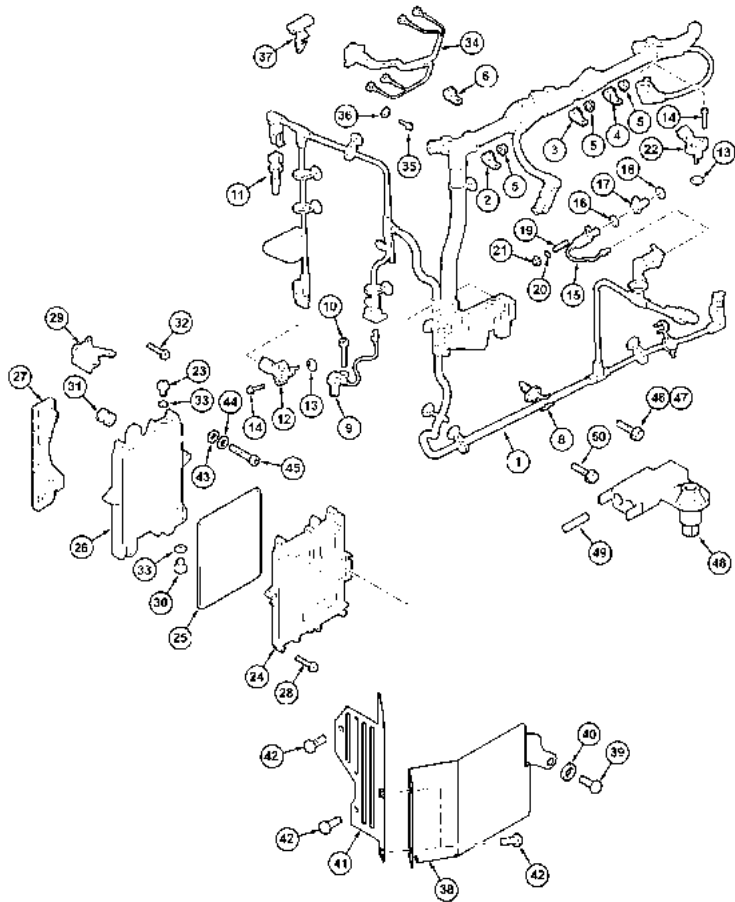
4 - Electrical System

4 -
007

HARNESS - ENGINE - XTX185, XTX200

XTX Series XTX185, XTX200, XTX215 (2005-2007)

4007



- | | | | | | |
|----|----------|---|--|---|---------|
| 16 | 707430A1 | ● | 3688993M1 (1) | 1 | SEAL |
| 17 | 704702A1 | | | 1 | SUPPORT |
| 18 | 704588A1 | | | 1 | O RING |
| 19 | 704800A1 | | | 1 | STUD |
| 20 | 705023A1 | | | 2 | WASHER |
| 21 | 704580A1 | | | 1 | Nut |
| 22 | 704737A1 | | | 1 | SENSOR |
| 23 | 704894A1 | | | 1 | COUPLER |
| 24 | TBA | | | 1 | Module |
| 25 | 704902A1 | ● | 3689053M1 (1) | 1 | GASKET |
| 26 | 704944A1 | ● | 705003A1 (1)
3689019M1 (1)
6501712M1 (1) | 1 | SUPPORT |
| 27 | 704945A1 | | | 1 | STIRRUP |
| 28 | 707361A1 | ● | 3688931M1 (6) | 6 | Screw |
| 29 | 705158A1 | | | 1 | STIRRUP |
| 30 | 704690A1 | ● | 3688650M1 (1) | 1 | UNION |

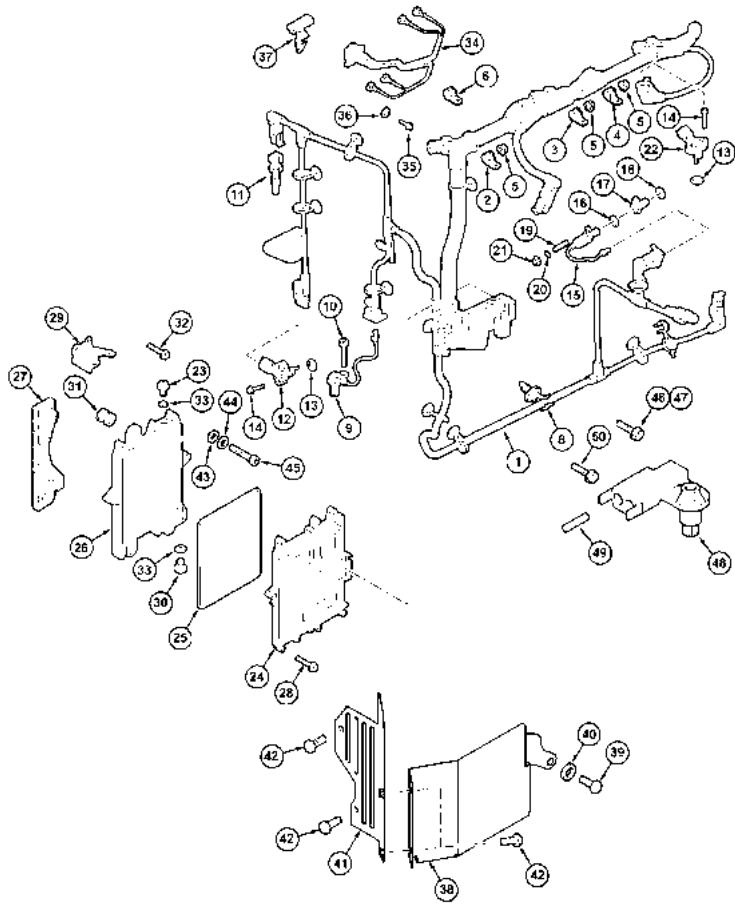
4 - Electrical System

4 -
007

HARNESS - ENGINE - XTX185, XTX200

XTX Series XTX185, XTX200, XTX215 (2005-2007)

4007



M6

Includes: 13

Includes: 16

20 mm

SPEED

16 mm

Water Temp

26 mm

Oil Temperature

M6 x 20 mm

17,7 mm

23,5 mm

M6 x 30 mm

Engine No.: - 158297

TIMING

A NOT ILLUSTRATED

B CONTINUED

D OIL PRESSURE

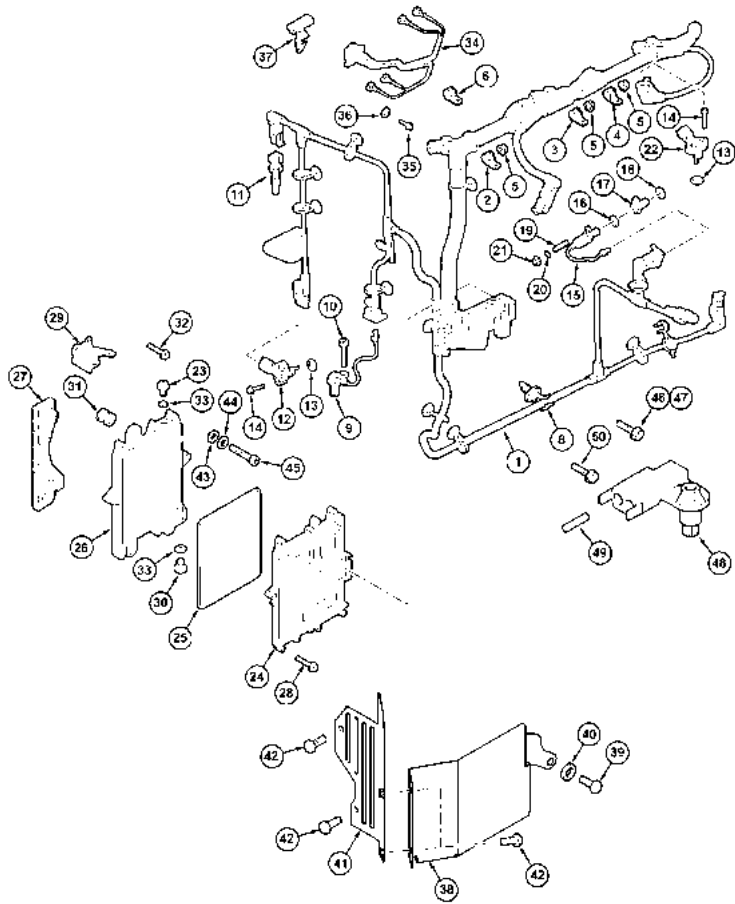
4 - Electrical System

4 -
009

HARNESS - ENGINE - XTX185, XTX200

XTX Series XTX185, XTX200, XTX215 (2005-2007)

4009



- | | | | | |
|----|-----------|-----------------|---|------------|
| 31 | 705055A1 | | 3 | SPRING |
| 32 | 705003A1 | | 3 | ELBOW |
| 33 | 707358A1 | | 2 | SEAL |
| 34 | 705115A1 | | 3 | CABLE |
| 35 | 707346A1 | | 3 | Screw |
| 36 | 707347A1 | | 3 | Washer |
| 37 | 705197A1 | | 6 | CLIP |
| 38 | 705524A2 | ● 705524A2N (1) | 1 | Guard Assy |
| 39 | 614-10040 | | 1 | BOLT |
| 40 | 895-11010 | | 1 | WASHER |
| 41 | 705530A2 | | 1 | Guard Assy |
| 42 | 844-8020 | ● 2314H003 (4) | 4 | BOLT |
| 43 | 704598A1 | | 3 | WASHER |
| 44 | 708558A1 | | 3 | Washer |
| 45 | 704573A1 | | 3 | INSERT |
| 46 | 713803A1 | | 1 | BOLT |
| 47 | 717172A1 | | 1 | BOLT |
| 48 | 709610A1 | ● 3689055M1 (1) | 1 | SENSOR |

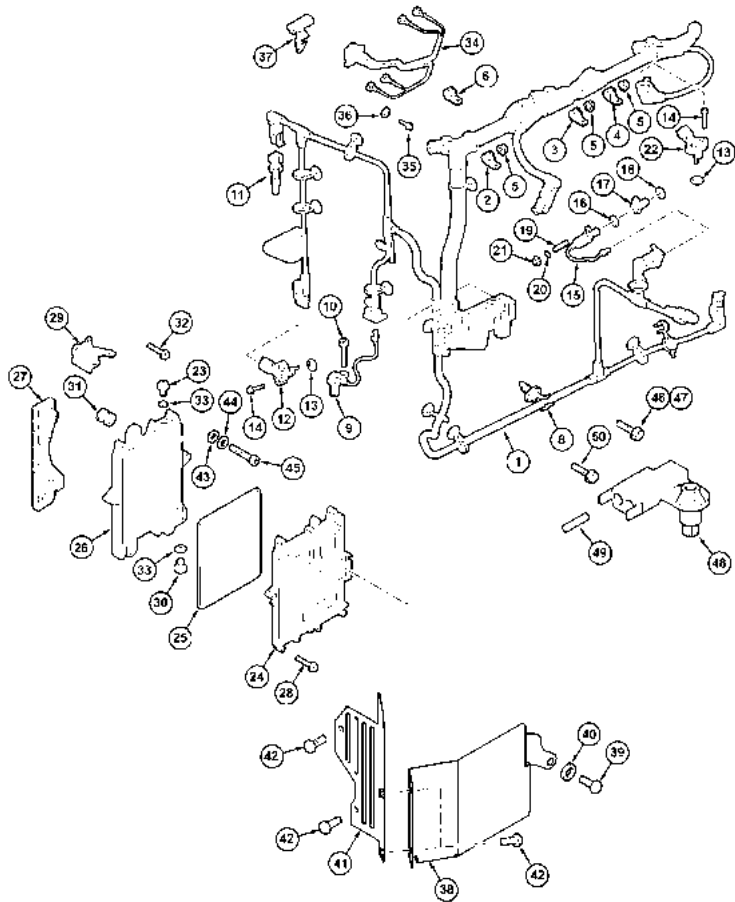
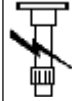
4 - Electrical System

4 -
009

HARNESS - ENGINE - XTX185, XTX200

XTX Series XTX185, XTX200, XTX215 (2005-2007)

4009



- 49 705160A1
- 50 705003A1

- 3 STUD
- 1 ELBOW

M8 x 20; 8,8
11 x 21 x 2 mm
AIR PRESSURE
TEMPERATURE
M10 x 40
6 x 11 mm
M8 x 17
M6 x 16 mm
Engine No.: 158298 -

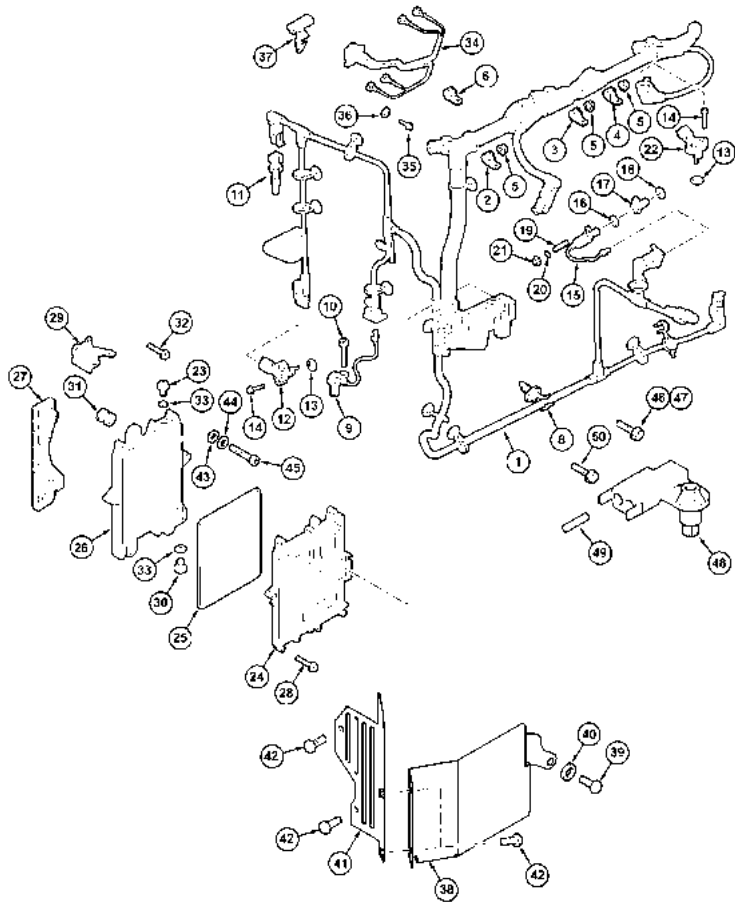
4 - Electrical System

4 -
009

HARNESS - ENGINE - XTX185, XTX200

XTX Series XTX185, XTX200, XTX215 (2005-2007)

4009



- | | | | | |
|----|-----------|-----------------|---|------------|
| 31 | 705055A1 | | 3 | SPRING |
| 32 | 705003A1 | | 3 | ELBOW |
| 33 | 707358A1 | | 2 | SEAL |
| 34 | 705115A1 | | 3 | CABLE |
| 35 | 707346A1 | | 3 | Screw |
| 36 | 707347A1 | | 3 | Washer |
| 37 | 705197A1 | | 6 | CLIP |
| 38 | 705524A2 | ● 705524A2N (1) | 1 | Guard Assy |
| 39 | 614-10040 | | 1 | BOLT |
| 40 | 895-11010 | | 1 | WASHER |
| 41 | 705530A2 | | 1 | Guard Assy |
| 42 | 844-8020 | ● 2314H003 (4) | 4 | BOLT |
| 43 | 704598A1 | | 3 | WASHER |
| 44 | 708558A1 | | 3 | Washer |
| 45 | 704573A1 | | 3 | INSERT |
| 46 | 713803A1 | | 1 | BOLT |
| 47 | 717172A1 | | 1 | BOLT |
| 48 | 709610A1 | ● 3689055M1 (1) | 1 | SENSOR |

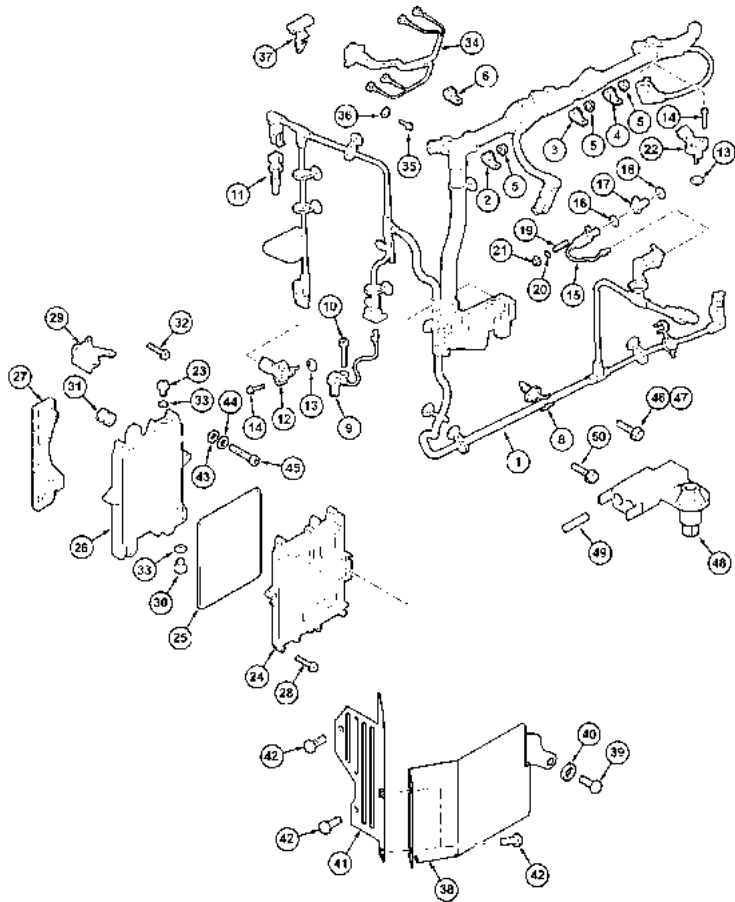
4 - Electrical System

4 -
009

HARNESS - ENGINE - XTX185, XTX200

XTX Series XTX185, XTX200, XTX215 (2005-2007)

4009



- 49 705160A1
- 50 705003A1

- 3 STUD
- 1 ELBOW

M8 x 20; 8,8
11 x 21 x 2 mm
AIR PRESSURE
TEMPERATURE
M10 x 40
6 x 11 mm
M8 x 17
M6 x 16 mm
Engine No.: 158298 -

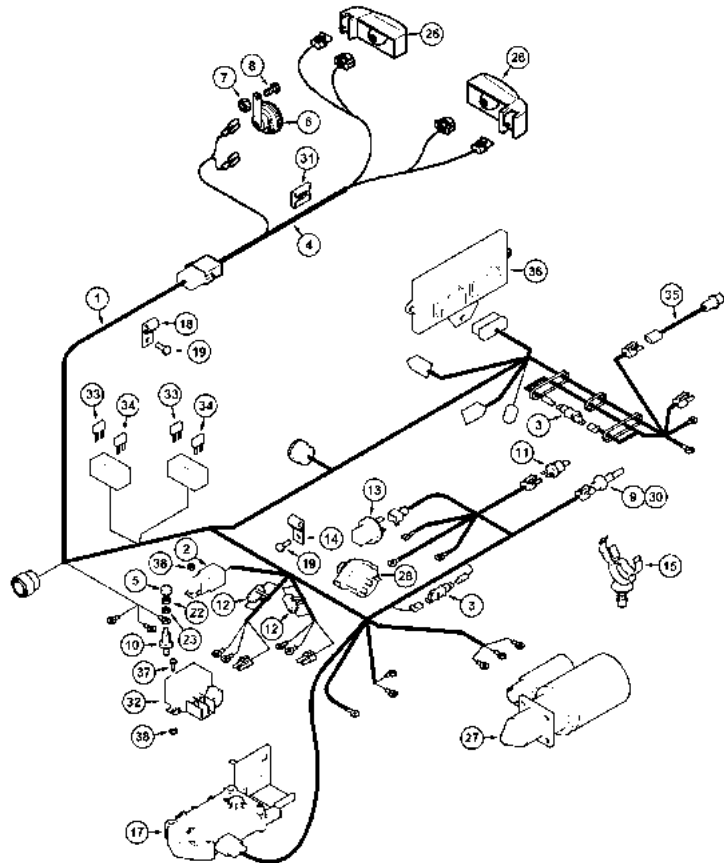
4 - Electrical System

4 -
011

HARNESS - ENGINE - XTX215

XTX Series XTX185, XTX200, XTX215 (2005-2007)

4011



- | | | | |
|----|-----------|---|------------|
| 1 | 709778A2 | 1 | HARNESS |
| 2 | 700788A1 | 2 | RELAY |
| 3 | 113699A1 | 2 | RELAY |
| 4 | 701888A1 | 1 | HARNESS |
| 5 | 399470R1 | 1 | Insulator |
| 6 | 452205A1 | 1 | HORN |
| 7 | 825-2406 | 1 | NUT |
| 8 | 844-6025 | 1 | BOLT |
| 9 | 143417A3 | 1 | SENSOR |
| 10 | REF | 1 | Block, Con |
| 11 | 243803A2 | 1 | INDICATOR |
| 12 | 706565A1 | 2 | FUSE |
| 13 | 279492A1 | 1 | SWITCH |
| 14 | 516-23158 | 1 | CLAMP |
| 15 | 1990594C1 | 1 | CLIP |
| 17 | 452567A1 | 2 | VALVE |
| 18 | 229357A1 | 1 | CLAMP |
- N.L.S. (2)

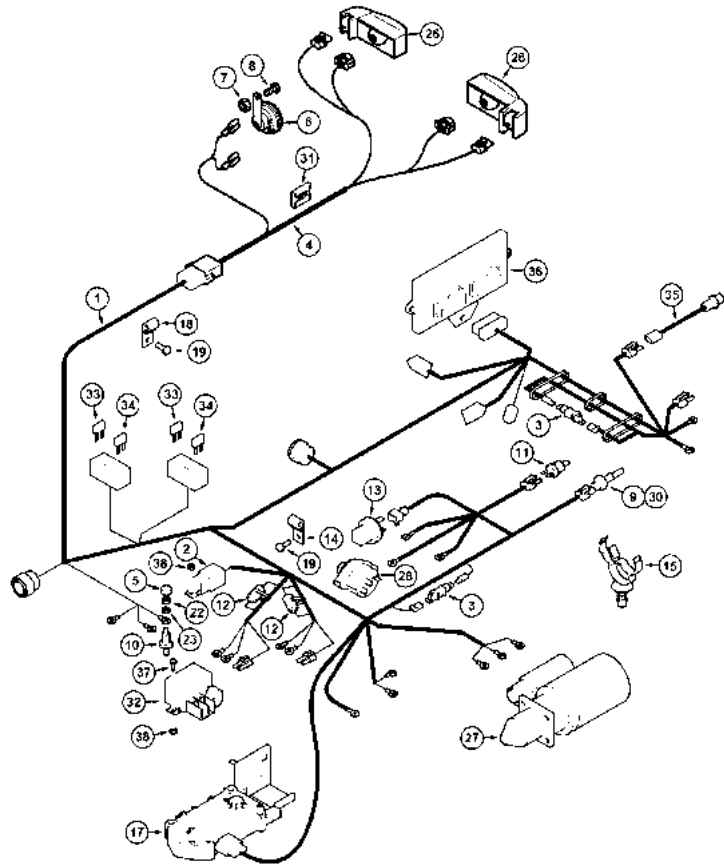
4 - Electrical System

4 -
011

HARNESS - ENGINE - XTX215

XTX Series XTX185, XTX200, XTX215 (2005-2007)

4011



- 19 614-12020
- 22 425-146
- 23 492-11038
- 26 REF
- 27 REF
- 28 REF

- 2 BOLT
- 1 NUT
- 1 Washer, Lock
- 2 Lamp, Head
- 1 Starter
- 1 Alternator

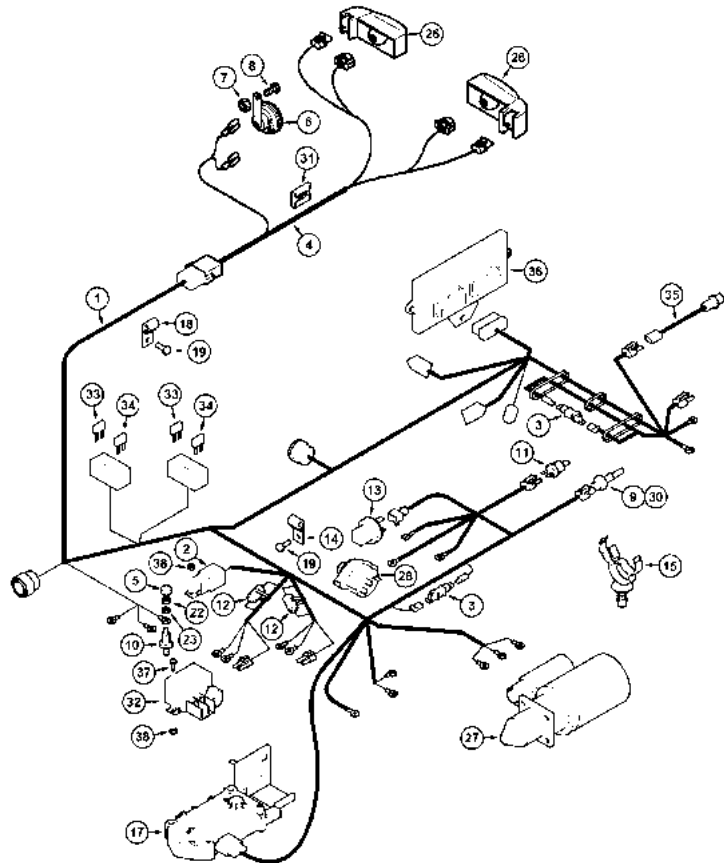
4 - Electrical System

4 -
011

HARNESS - ENGINE - XTX215

XTX Series XTX185, XTX200, XTX215 (2005-2007)

4011



- M6; 8
- 3/8
- 12V
- Air Filter
- Starter
- Water Temp
- HEATER
- 35 amp
- 1/2 x 5/8
- See Page(s): 4-71
- See Page(s): 4-35
- M12 x 20; 8,8
- M6 x 25; 8,8
- 25,4 mm
- See Page(s): 4-61,63
- 125 Amp.
- Coolant Level
- See Page(s): 4-73,75
- See Page(s): 3-17
- CONTINUED
- FRONT

B
D

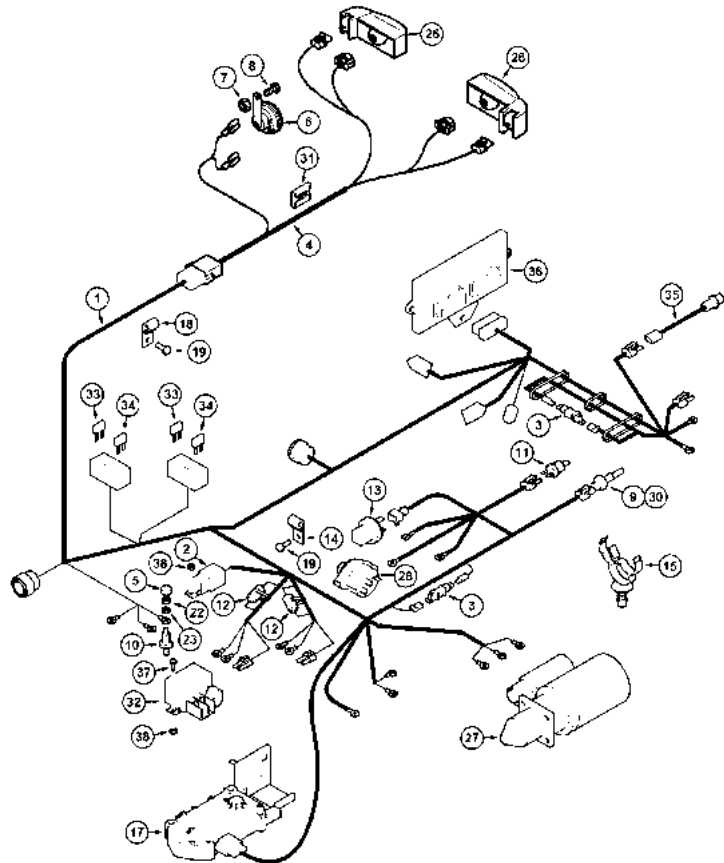
4 - Electrical System

4 -
013

HARNESS - ENGINE - XTX215

XTX Series XTX185, XTX200, XTX215 (2005-2007)

4013



- | | | | | | | |
|-----|-----------|---|-----------|-----|---|-------------|
| 30 | 3221520R1 | ● | 3543102M1 | (1) | 1 | CAP |
| 31 | 3223490R2 | ● | 3548091M1 | (0) | 0 | RETAINER |
| | | | N.L.A. | (0) | | |
| 32 | 701637A1 | | | | 2 | RELAY |
| 33 | 706613A1 | | | | 2 | Fuse |
| 34 | 706614A1 | | | | 2 | Fuse |
| 35 | REF | | | | 1 | Switch Assy |
| 36 | TBA | | | | 1 | Module |
| 37 | 844-6020 | | | | 2 | BOLT |
| 38 | 825-2406 | | | | 4 | NUT |
| 200 | B17503 | | | | 1 | Loctite |
| 201 | 345-87 | | | | 1 | PADDING |

M6; 8
7,5 AMP
10 AMP
M6 x 20; 8,8
Water Temp
25 x 32 mm
200 amp
See Page(s): 2-23
Air Conditioning
HIGH PRESSURE
See Page(s): 4-15
Sender

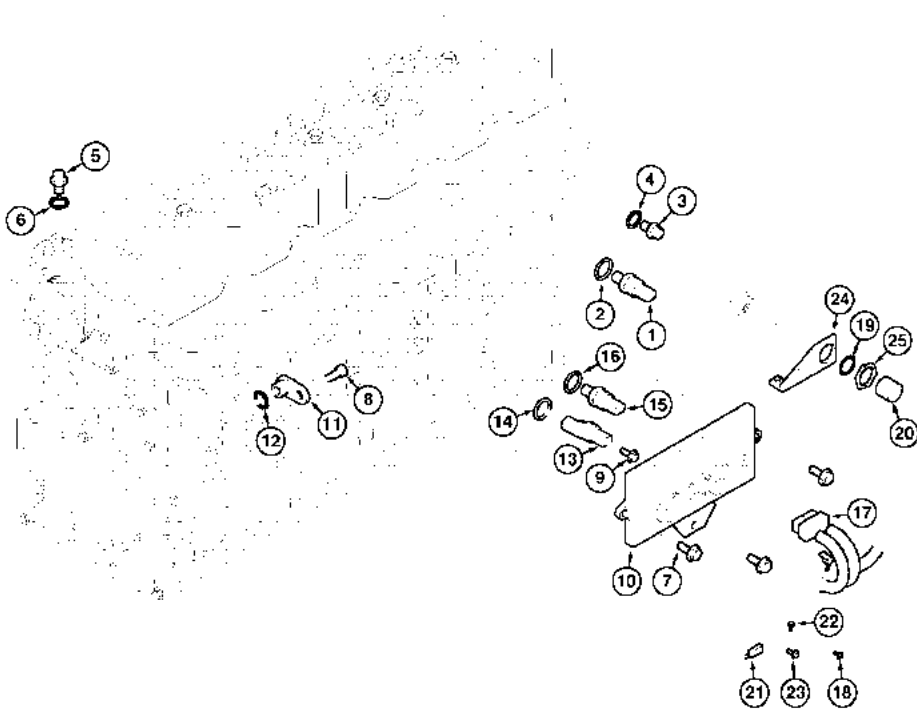
4 - Electrical System

4 -
015

HARNESS - ENGINE - XTX215

XTX Series XTX185, XTX200, XTX215 (2005-2007)

4015



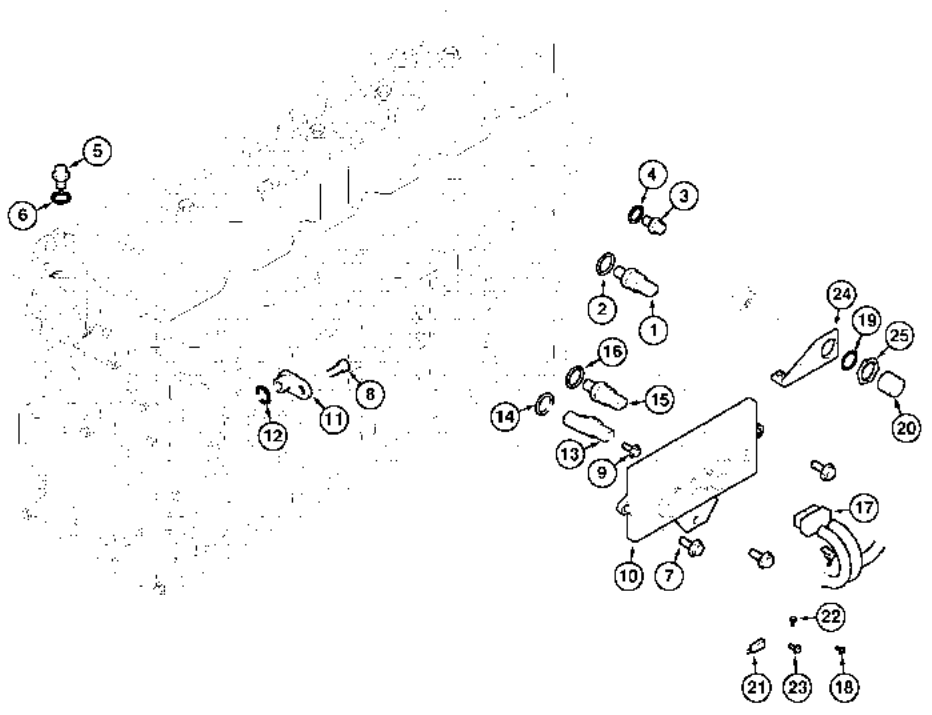
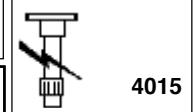
- | | | | |
|----|----------|---|------------|
| 1 | TBA | 1 | Sensor |
| 2 | TBA | 1 | O-Ring |
| 3 | TBA | 1 | Sensor |
| 4 | TBA | 1 | O-Ring |
| 5 | 702118A1 | 1 | WARN INDIC |
| 6 | TBA | 1 | O-Ring |
| 7 | TBA | 3 | Screw |
| 8 | TBA | 1 | Screw |
| 9 | TBA | 1 | Screw |
| 10 | TBA | 1 | Module |
| 11 | TBA | 1 | Sensor |
| 12 | TBA | 1 | O-Ring |
| 13 | TBA | 1 | Sensor |
| 14 | TBA | 1 | O-Ring |
| 15 | TBA | 1 | Switch |
| 16 | TBA | 1 | O-Ring |
| 17 | TBA | 1 | Harness |
| 18 | TBA | 5 | Screw |
| 19 | TBA | 1 | Washer |
| 20 | TBA | 1 | Cover |
| 21 | TBA | 1 | Cover |
| 22 | TBA | 3 | Screw |
| 23 | TBA | 2 | Screw |
| 24 | TBA | 1 | Bracket |
| 25 | TBA | 1 | Nut |

4 - Electrical System

4 -
015

HARNESS - ENGINE - XTX215

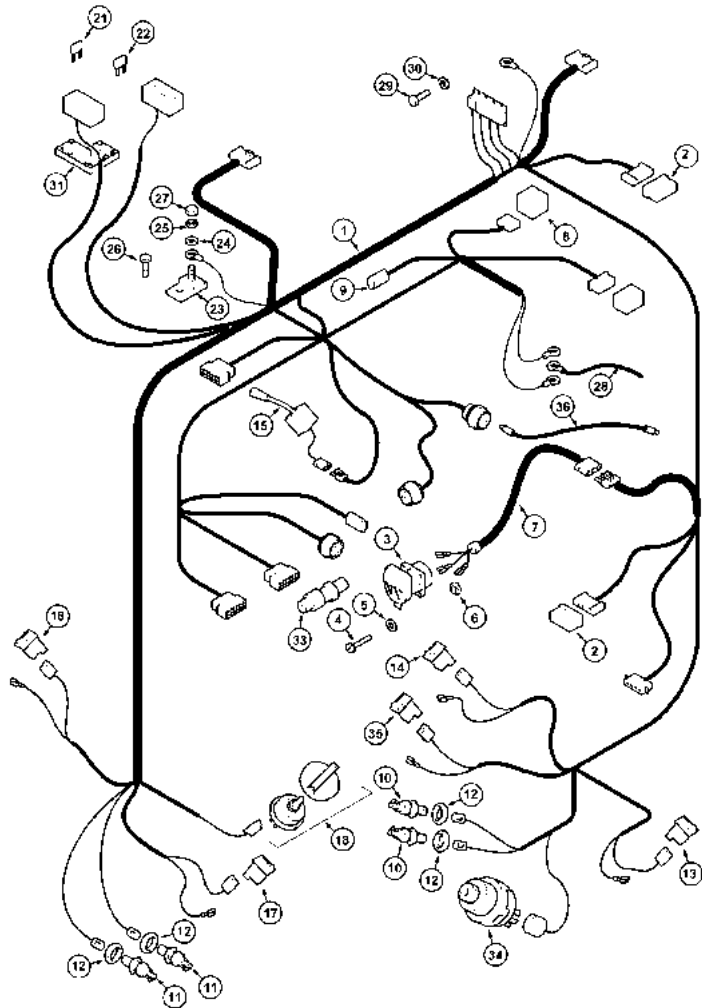
XTX Series XTX185, XTX200, XTX215 (2005-2007)



- Includes: 12
- Includes: 6
- Includes: 2
- Includes: 4
- Includes: 16
- Includes: 14
- Water Temp

XTX Series XTX185, XTX200, XTX215 (2005-2007)

4017



- | | | | | |
|---|-----------|------------------|--------------|---------|
| 1 | 709867A6 | 1 | Harness Assy | |
| 1 | 711251A5 | 1 | Harness Assy | |
| 2 | 187308A1 | 2 | CAP | |
| 3 | 1533880C1 | 1 | INTAKE | |
| 4 | 378770A1 | 4 | RIVET | |
| | | | | |
| 4 | 840-1312 | 1 | Screw | |
| 5 | 895-11003 | 1 | WASHER | |
| 6 | 824-1403 | 1 | NUT | |
| 7 | 227739A2 | 1 | HARNESS | |
| | | | | |
| 7 | 227740A2 | 1 | HARNESS | |
| | | | | |
| 8 | 1502351C1 | 1 | RELAY | |
| | | | | |
| 9 | 451809A1 | ● 3676177M91 (1) | 1 | FLASHER |

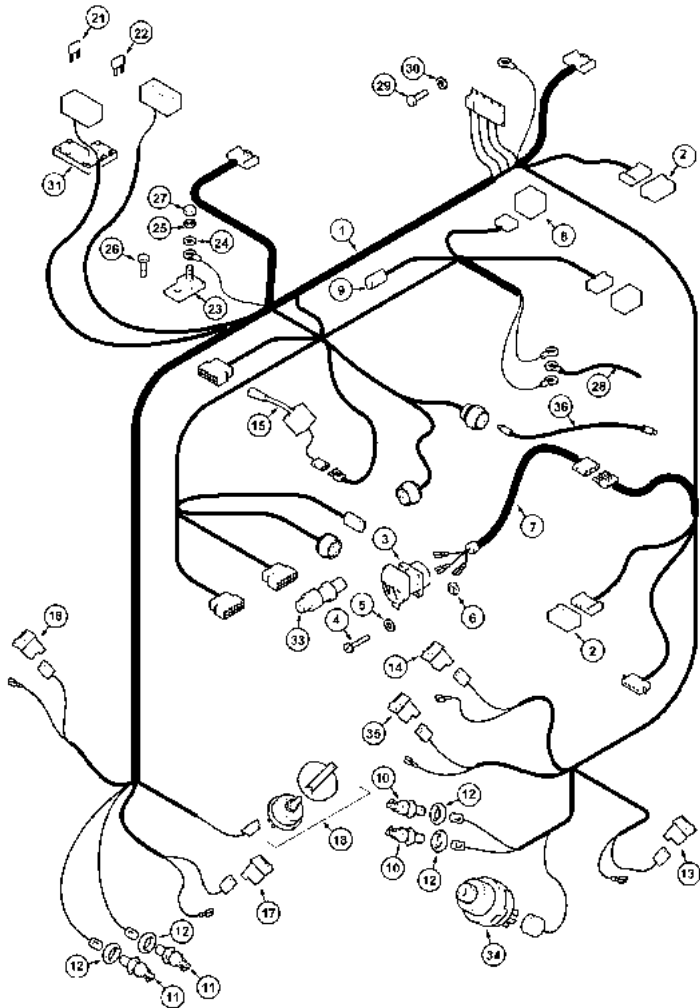
4 - Electrical System

4 -
017

HARNESS - INSTRUMENT PANEL

XTX Series XTX185, XTX200, XTX215 (2005-2007)

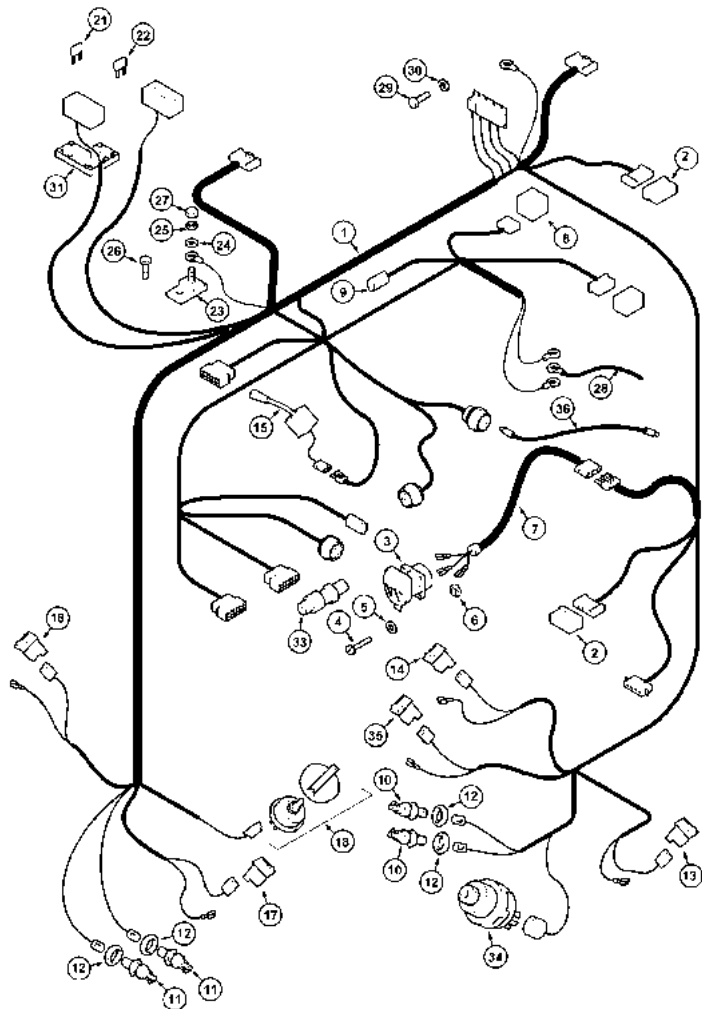
4017



- | | | | |
|----|----------|--------------------------------|----------|
| 9 | 92389C2 | ● 6518150M91 (1) | 1 LIGHT |
| 10 | 177499A2 | | 2 SWITCH |
| 11 | 177499A2 | | 2 SWITCH |
| 12 | 188603A1 | | 1 NUT |
| 13 | 194115A3 | ● 190525A3 (1)
225024A2 (1) | 1 SWITCH |

XTX Series XTX185, XTX200, XTX215 (2005-2007)

4017



- Includes: 12
- Optional
- Europe Only
- N.A. Only
- 12V
- M16
- Headlight
- With Socket
- Brake
- Clutch
- See Page(s): 6-61
- Auxiliary Power
- M3 x 12; 4,8
- 3,2 x 7 x 0,5 mm
- M3; 5
- Roof Lights
- See Page(s): 4-47
- Consists Of: 840-1312,5,6
- CONTINUED

B

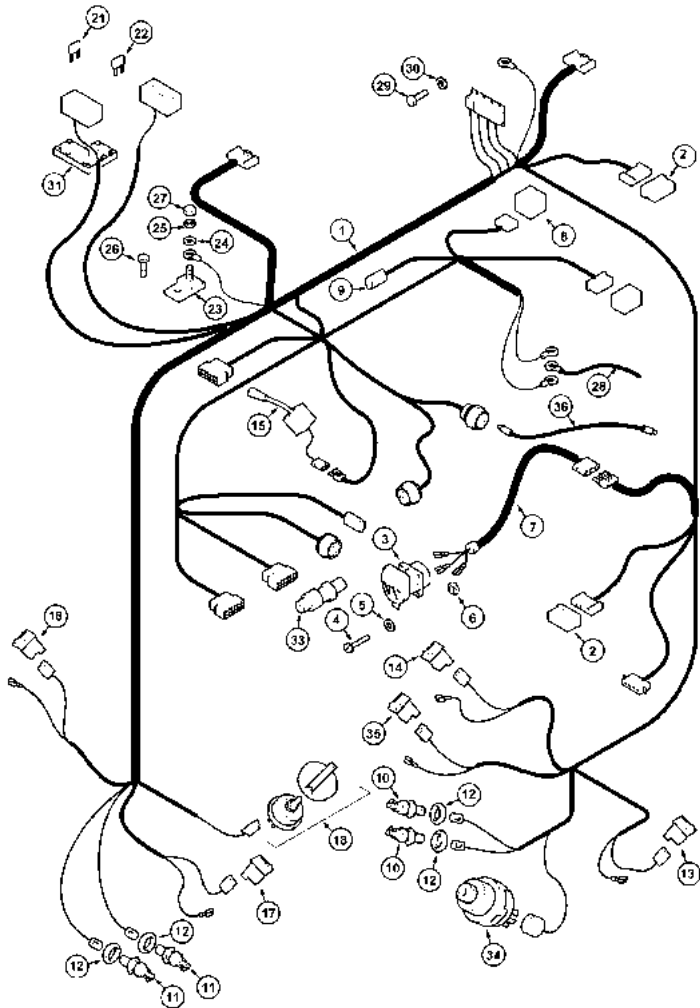
4 - Electrical System

4 -
019

HARNESS - INSTRUMENT PANEL

XTX Series XTX185, XTX200, XTX215 (2005-2007)

4019



14	194114A1	● 1983283C1 (1) 245908C1 (1)	1 SWITCH
15	REF		1 Switch
16	194113A1	● 233265A1 (1) 245909C1 (1)	1 SWITCH
17	194109A1		1 FINAL DRIVE
18	177249A1		1 FINAL DRIVE
18	197168A1		1 FINAL DRIVE

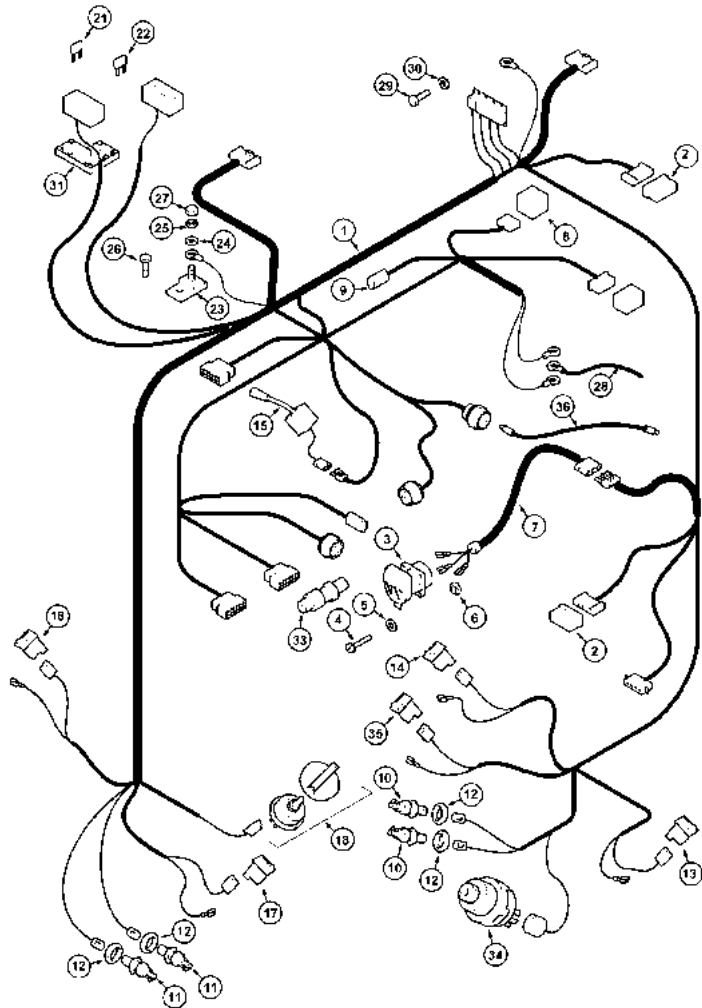
4 - Electrical System

4 -
019

HARNESS - INSTRUMENT PANEL

XTX Series XTX185, XTX200, XTX215 (2005-2007)

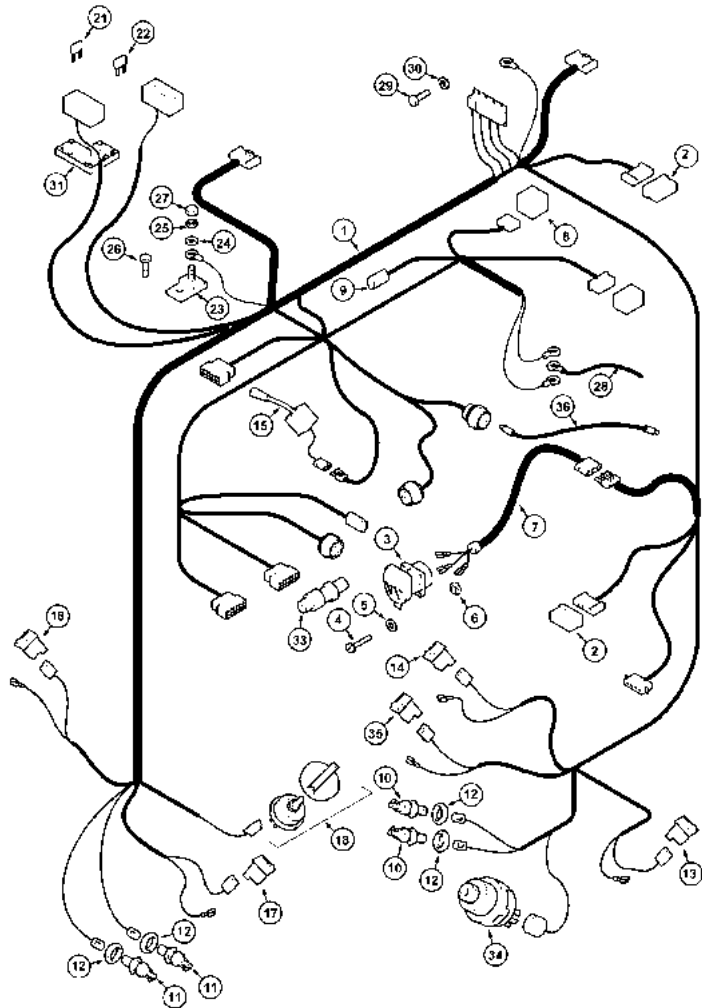
4019



- | | | | | |
|----|-----------|------------------|---|--------------|
| 21 | 139718A1 | | 2 | BREAKER |
| 21 | 139719A1 | ● 6506953M91 (1) | 1 | FUSE |
| 22 | 121410A1 | | 0 | FUSE |
| 22 | 121411A1 | | 0 | FUSE |
| 22 | 121412A1 | | 0 | FUSE |
| 22 | 121413A1 | | 0 | FUSE |
| 22 | 121414A1 | | 0 | FUSE |
| 22 | 121415A1 | | 0 | FUSE |
| 22 | 121416A1 | | 0 | FUSE |
| 23 | 245539C1 | | 1 | BLOCK |
| 24 | 492-11025 | | 1 | Washer, Lock |
| 25 | 425-104 | | 1 | NUT |

XTX Series XTX185, XTX200, XTX215 (2005-2007)

4019



- 1/4
- Europe Only
- N.A. Only
- Headlight
- 20 AMP
- 5 AMP
- 7,5 AMP
- 10 AMP
- 15 AMP
- Hazard Warning
- 25 AMP
- 30 AMP
- Indicator
- Position
- See Page(s): 6-55
- See Page(s): 4-45
- FOGLIGHT
- Worklights
- CONTINUED

B

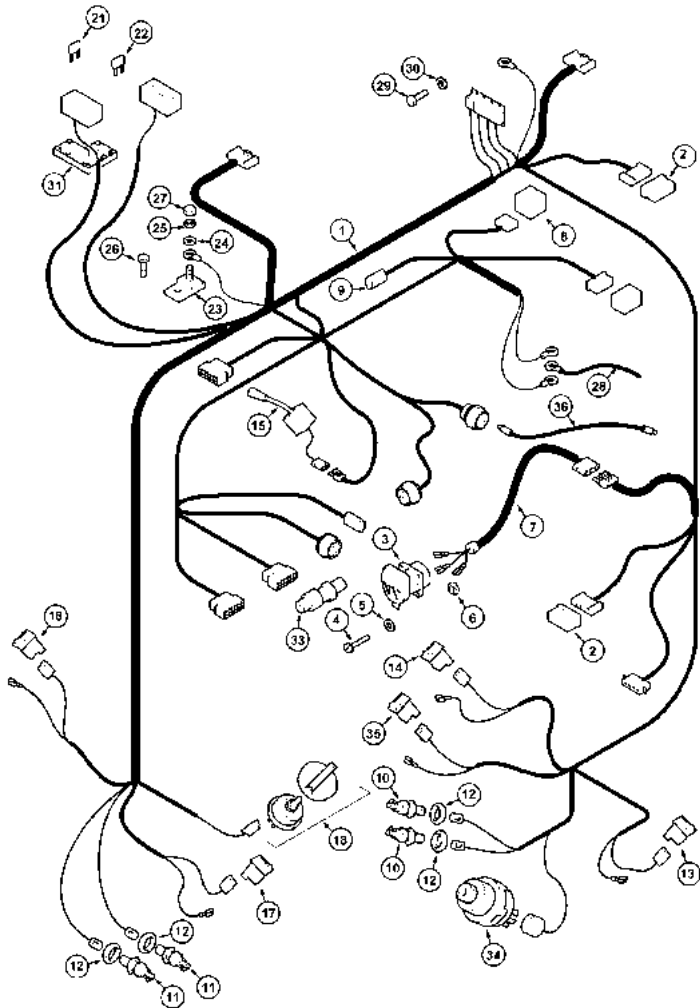
4 - Electrical System

4 -
021

HARNESS - INSTRUMENT PANEL

XTX Series XTX185, XTX200, XTX215 (2005-2007)

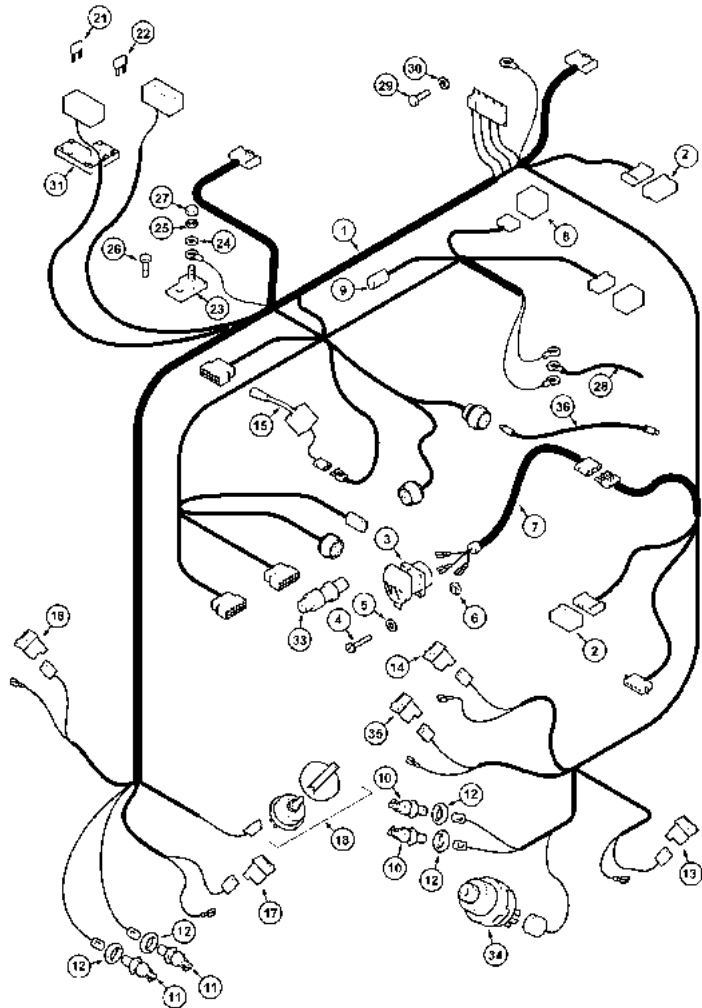
4021



- | | | | | |
|-----|-----------|---------------------------------|---|------------|
| 26 | 764-34438 | | 1 | SCREW |
| 27 | 353-187 | | 1 | CAP |
| 28 | 224552A1 | | 1 | CABLE |
| 29 | 440014A1 | | 8 | SCREW |
| 30 | 934599R1 | | 4 | Washer |
| 31 | 191138A1 | | 1 | PLATFORM |
| 33 | 1533899C1 | | 0 | INTAKE |
| 34 | REF | | 1 | Switch, Ig |
| 35 | 194112A1 | ● 245909C1 (1)
1983276C1 (1) | 1 | OUTLET |
| 36 | 712998A1 | | 1 | Cable |
| 200 | 229355A1 | | 1 | CLAMP |
| 201 | 384114A1 | | 1 | RELAY |

XTX Series XTX185, XTX200, XTX215 (2005-2007)

4021



202 384114A1

1 RELAY

Europe Only
20 AMP
AUXILIARY
1000 mm
Supply
5 mm
Auxiliary Power
Ground
Ignition
No 10 x 3/8
See Page(s): 4-45
4,8 x 38 mm
Rotating Beacon
See Page(s): 4-93
Water in Fuel
NOT ILLUSTRATED

A

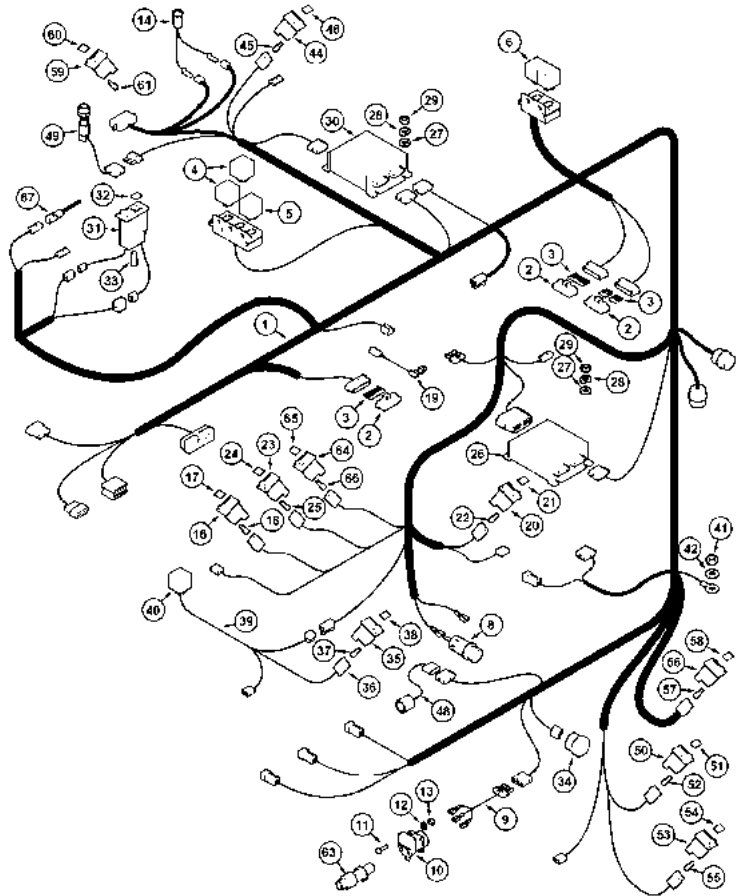
4 - Electrical System

4 -
023

HARNESS - CONTROL CONSOLE

XTX Series XTX185, XTX200, XTX215 (2005-2007)

4023



- | | | | | |
|----|-----------|------------------|---|-----------|
| 1 | 712070A1 | | 1 | HARNESS |
| 1 | 712071A1 | | 1 | HARNESS |
| 2 | 187308A1 | | 3 | CAP |
| 3 | 187309A1 | | 1 | BAR |
| 3 | 194976A1 | | 2 | BAR |
| 4 | 384114A1 | | 2 | RELAY |
| 5 | 384114A1 | | 1 | RELAY |
| 6 | 384114A1 | | 2 | RELAY |
| 8 | 1964773C1 | ● 4218407M91 (1) | 1 | ALLEN KEY |
| 9 | 227739A2 | | 1 | HARNESS |
| 9 | 227740A2 | | 1 | HARNESS |
| 10 | 1533880C1 | | 1 | INTAKE |
| 11 | 840-1312 | | 4 | Screw |
| 12 | 895-11003 | | 4 | WASHER |

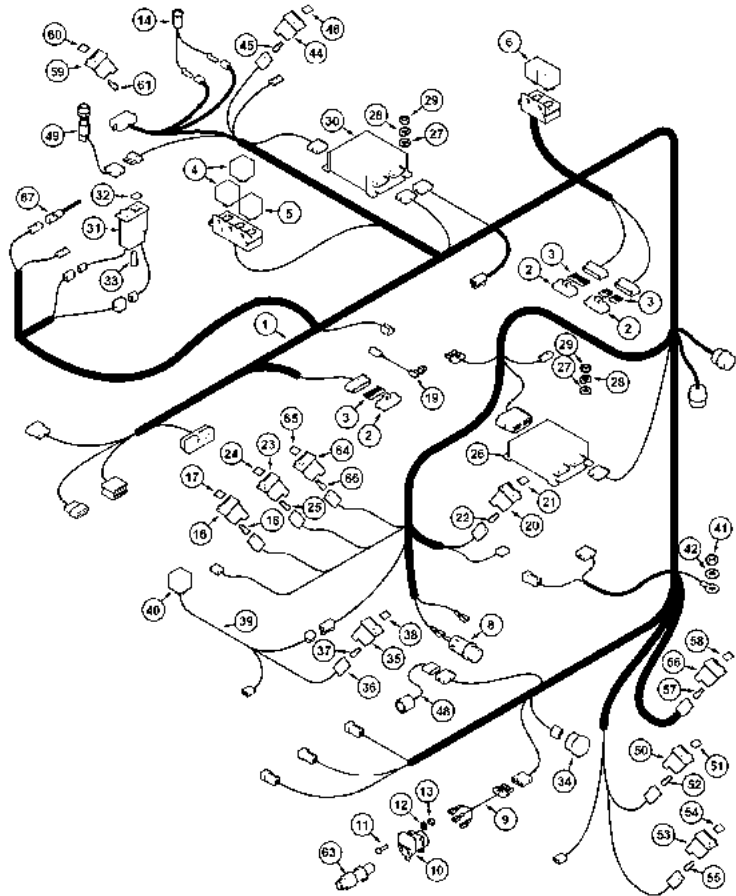
4 - Electrical System

4 -
023

HARNESS - CONTROL CONSOLE

XTX Series XTX185, XTX200, XTX215 (2005-2007)

4023

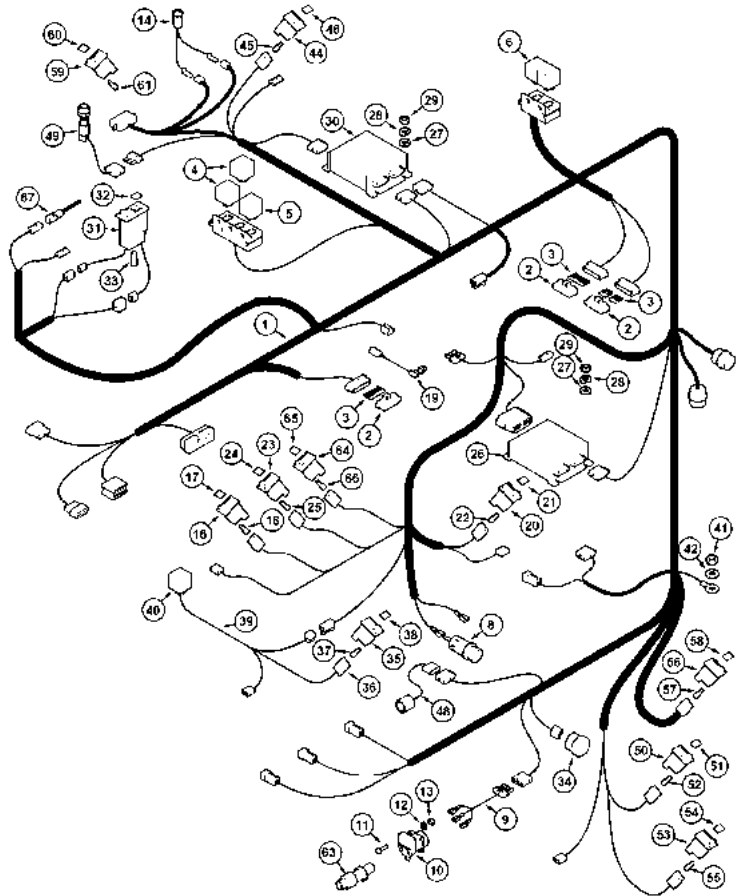


- | | | | | |
|----|-----------|---------------------------------|---|-------------|
| 13 | 824-1403 | | 4 | NUT |
| 14 | 183696A1 | | 1 | LIGHT |
| 16 | 276724A1 | ● 276725A1 (1)
1964650C1 (1) | 1 | FINAL DRIVE |
| 17 | 1983274C1 | | 1 | SILENCER |
| 18 | 3141107R1 | | 1 | LAMP |
| 19 | 188603A1 | | 1 | NUT |
| 19 | 360813A1 | | 1 | SWITCH |
| 20 | 709948A1 | ● 194235A1 (1)
245909C1 (1) | 1 | SWITCH,IND |
| 21 | 194235A1 | | 1 | SILENCER |
| 22 | 3141107R1 | | 1 | LAMP |

XTX Series XTX185, XTX200, XTX215 (2005-2007)



4023



- 4WD
- 12 V
- Includes: 21,22
- Europe Only
- N.A. Only
- M16
- 20 AMP
- 12V, 1,2 w
- Includes: 17,18
- Brake
- Diff Lock
- M3 x 12; 4,8
- 3,2 x 7 x 0,5 mm
- M3; 5
- Solenoid
- 4th Speed, Lockout
- Wheel Slip
- 6 PIN
- 3 PIN
- #XTX-M
- #XTX-E / Eplus
- See Page(s): 4-43,51
- CONTINUED

B

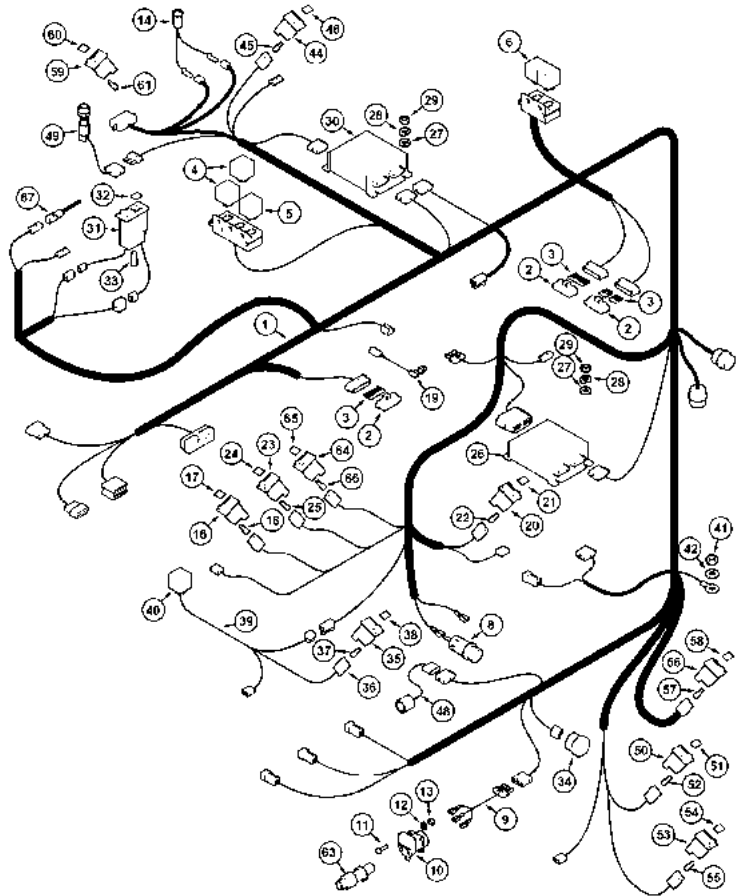
4 - Electrical System

4 -
025

HARNESS - CONTROL CONSOLE

XTX Series XTX185, XTX200, XTX215 (2005-2007)

4025



- | | | | | |
|----|-----------|-----------------|---|-------------|
| 23 | 1983638C1 | | 1 | SWITCH |
| 23 | 276723A1 | | 1 | FINAL DRIVE |
| 24 | 1964651C1 | | 1 | SILENCER |
| 25 | 3141107R1 | | 1 | LAMP |
| 26 | 710152A2 | ● 710152A7 (1) | 1 | CONTROL |
| 26 | 710154A2 | | 1 | SOFTWARE |
| 27 | 895-11006 | ● 390971X1 (3) | 3 | WASHER |
| 28 | 892-11006 | | 3 | WASHER |
| 29 | 825-1406 | | 3 | NUT |
| 29 | 825-5146 | ● 1441500X1 (3) | 3 | NUT |
| 30 | 296539A6 | | 1 | UNION |

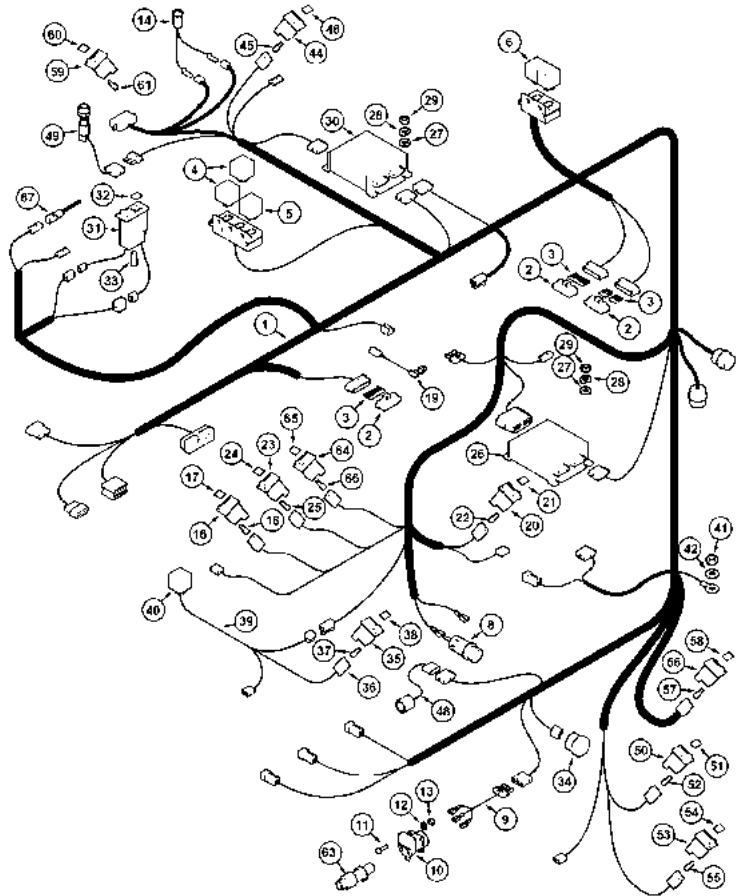
4 - Electrical System

4 -
025

HARNES - CONTROL CONSOLE

XTX Series XTX185, XTX200, XTX215 (2005-2007)

4025



- | | | | |
|----|-----------|----------------|-------------|
| 31 | 194214A3 | 1 | FINAL DRIVE |
| 32 | NSS | 1 | Symbol |
| 33 | 3141107R1 | 1 | LAMP |
| 34 | 712995A1 | 1 | BUZZER |
| 35 | 1964649C1 | 1 | SWITCH |
| 36 | 134608A1 | 1 | INSERT |
| 37 | 3141107R1 | 1 | LAMP |
| 38 | 1983273C1 | 1 | JACKET/TRO |
| 39 | 185209A1 | ● 185209A2 (1) | 1 HARNESS |
| 39 | 712984A1 | 1 | HARNESS |
| 40 | 384114A1 | 1 | RELAY |

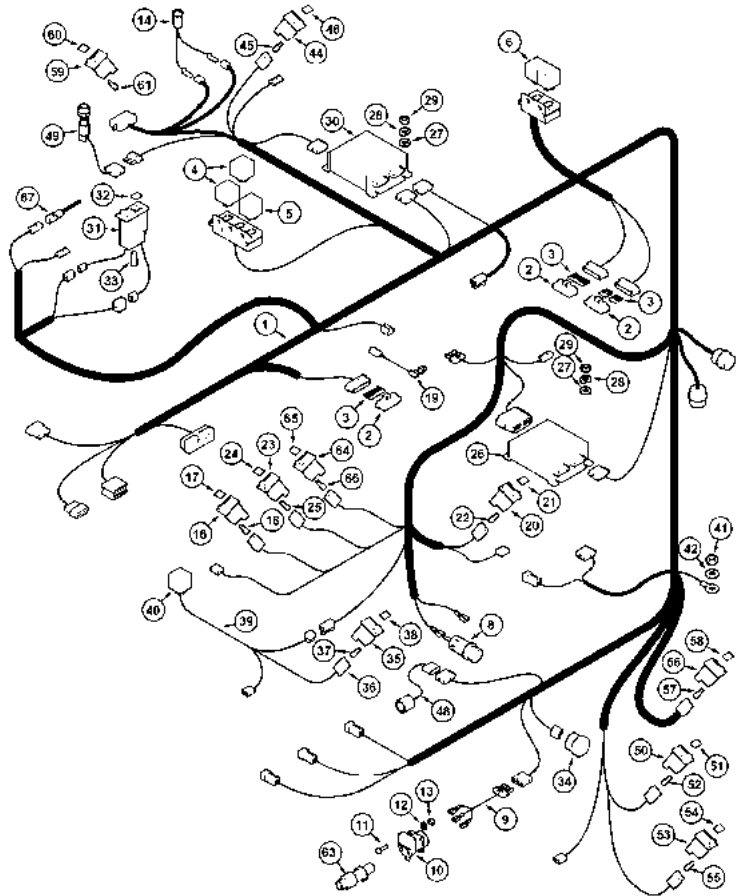
4 - Electrical System

4 -
025

HARNESS - CONTROL CONSOLE

XTX Series XTX185, XTX200, XTX215 (2005-2007)

4025



- 4WD
- 6,6 x 12 x 1,6 mm
- M6
- Europe Only
- 20 AMP
- 12V, 1,2 w
- Diff Lock
- Front P.T.O.
- P.T.O.
- Forward - Neutral - Reverse
- Includes: 32,33
- Includes: 36,37
- Wheel Slip
- Flash
- HITCH CONTROL
- PARK BRAKE
- With Latch
- Consists Of: 1983638C1,24,25
- Consists Of: 31,32,33
- Includes: 710154A2
- #XTX-Eplus
- CONTINUED
- DRAFT CONTROL

B
C

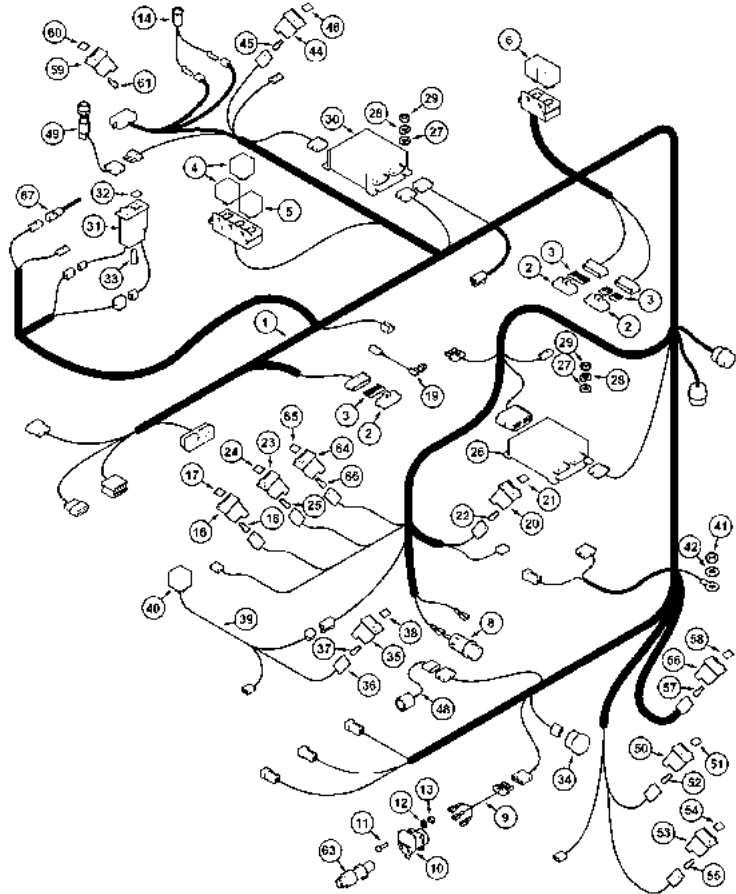
4 - Electrical System

4 -
027

HARNESS - CONTROL CONSOLE

XTX Series XTX185, XTX200, XTX215 (2005-2007)

4027



- | | | | |
|----|-----------|---|-------------|
| 41 | 829-1406 | 1 | NUT |
| 42 | 892-11006 | 1 | WASHER |
| 44 | 297427A1 | 1 | FINAL DRIVE |
| 45 | 3141107R1 | 1 | LAMP |
| 46 | NSS | 1 | Lens |
| 48 | 296647A1 | 1 | HARNESS |
| 49 | 707016A1 | 1 | SWITCH |
| 50 | 377642A1 | 1 | SWITCH |
| 51 | 333942A1 | 1 | JACKET/TRO |
| 52 | NSS | 1 | Bulb |
| 53 | 112078A1 | 1 | SWITCH |
| 54 | 333941A1 | 1 | JACKET/TRO |
| 55 | NSS | 1 | Bulb |
| 56 | 367654A1 | 1 | CUTOUT |
- 91956C1 (1)
337532A1 (1)

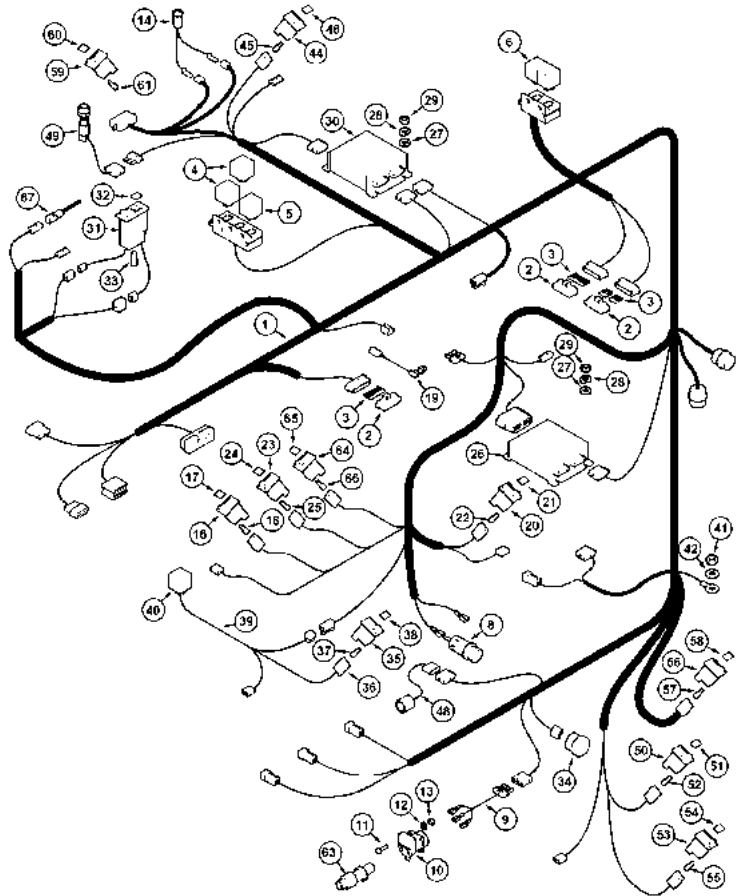
4 - Electrical System

4 -
027

HARNES - CONTROL CONSOLE

XTX Series XTX185, XTX200, XTX215 (2005-2007)

4027



- | | | | | |
|-----|-----------|--------------------------------|---|------------|
| 57 | NSS | | 1 | Bulb |
| 58 | NSS | | 1 | Lens |
| 59 | 337515A1 | ● 91956C1 (1)
337531A1 (1) | 1 | OUTLET |
| 59 | 91956C1 | | 1 | SWITCH |
| 60 | 337531A1 | | 1 | SILENCER |
| 61 | 3141107R1 | | 1 | LAMP |
| 63 | 1533899C1 | | 0 | INTAKE |
| 64 | 709947A1 | ● 245909C1 (1)
194236A1 (1) | 1 | SWITCH,IND |
| 65 | 194236A1 | | 1 | SYMBOL |
| 66 | 3141107R1 | | 1 | LAMP |
| 67 | 711372A1 | | 1 | HARNES |
| 200 | 22-824 | | 5 | CLAMP |

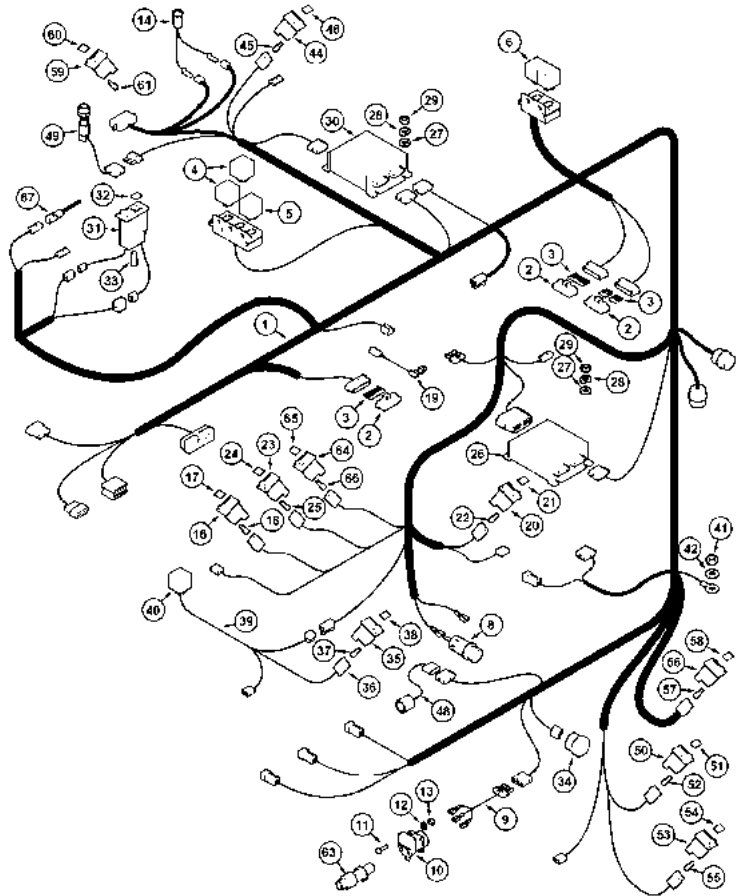
4 - Electrical System

4 -
027

HARNESS - CONTROL CONSOLE

XTX Series XTX185, XTX200, XTX215 (2005-2007)

4027



- 7 in
- M6
- Europe Only
- 12V, 1,2 w
- M6; 10
- Creep Speed
- Ride Control
- Ground
- P.T.O.
- Includes: 65,66
- Fourth Remote
- AUTO P.T.O.
- Includes: 45,46
- Implement, Monitor
- Includes: 57,58
- Consists Of: 91956C1,60,61
- RADAR
- #XTX-M

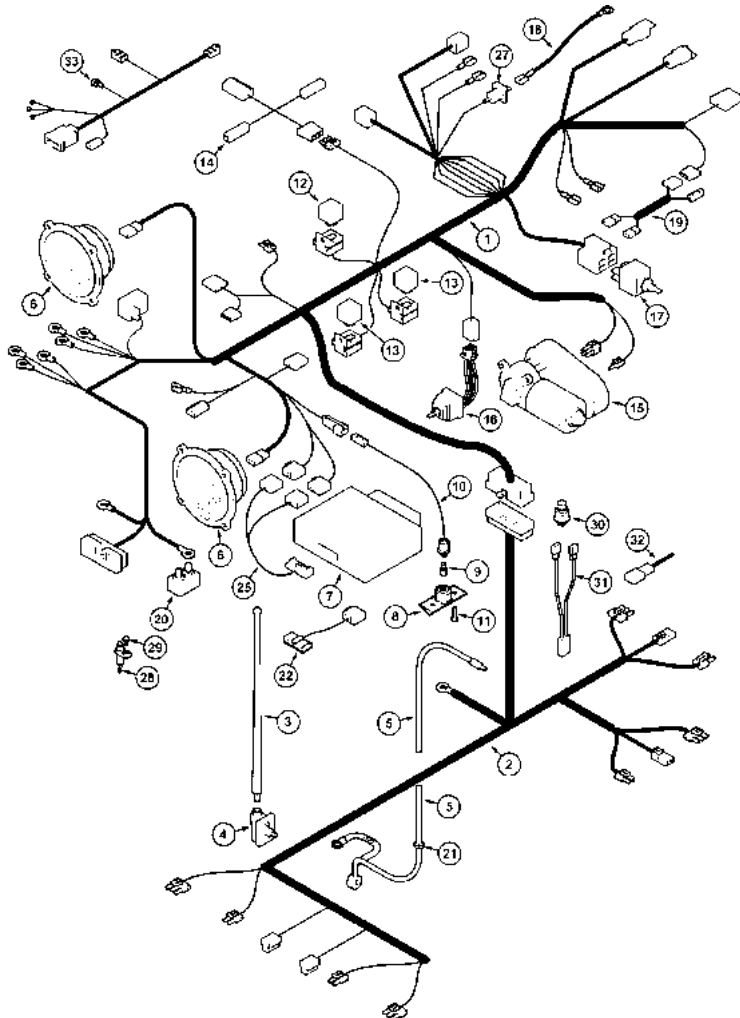
4 - Electrical System

4 -
029

HARNESS - CAB ROOF

XTX Series XTX185, XTX200, XTX215 (2005-2007)

4029



- | | | | | |
|---|----------|------------------|---|--------------|
| 1 | 710320A1 | | 1 | Harness Assy |
| 1 | 710321A1 | | 1 | Harness Assy |
| 2 | 711772A2 | | 1 | Harness Assy |
| 3 | 197745A1 | ● 4219722M91 (1) | 1 | CORE |
| 3 | 198960A1 | ● 4219722M91 (1) | 1 | AERIAL SHORT |
| 3 | 279259A1 | | 1 | AERIAL SHORT |
| 4 | NSS | | 1 | Body |
| 5 | 198962A1 | | 1 | CABLE |
| 5 | 253059A1 | | 1 | CABLE |
| 6 | 712505A1 | ● 4215436M91 (2) | 2 | Loudspeaker |
| 7 | 284761A1 | | 1 | OIL COOLER |
| 7 | 284762A1 | | 1 | OIL COOLER |

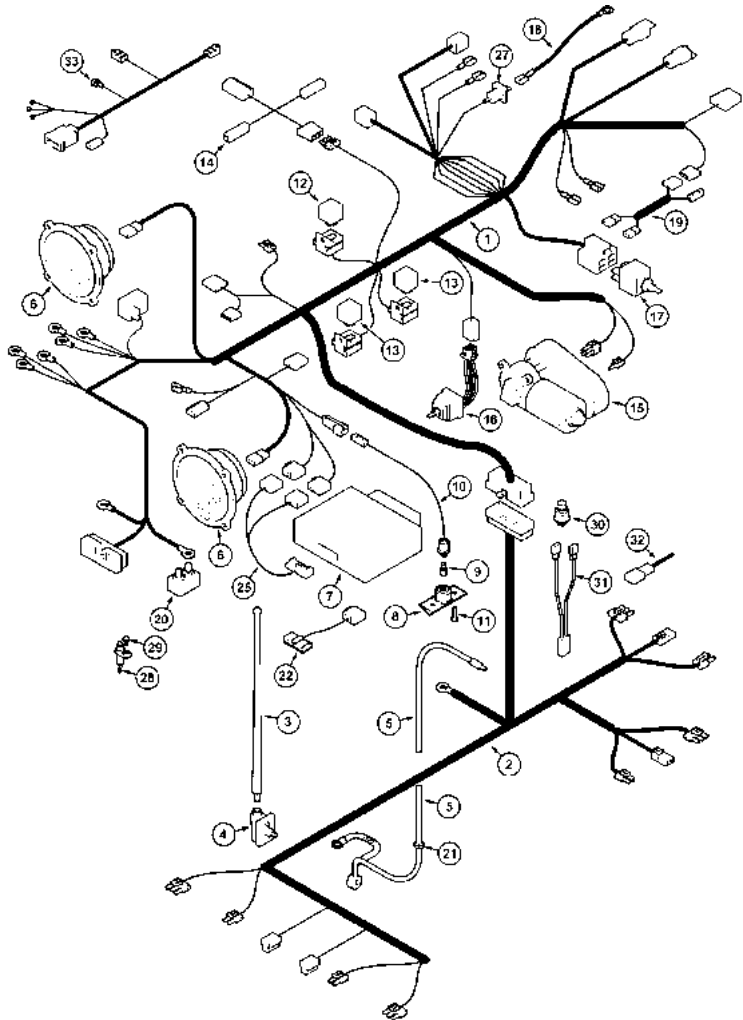
4 - Electrical System

4 -
029

HARNESS - CAB ROOF

XTX Series XTX185, XTX200, XTX215 (2005-2007)

4029



7	355623A2		1	OIL COOLER
7	366631A2		1	OIL COOLER
7	432799A1	● N.L.A. (1)	1	OIL COOLER
7	432800A1		1	OIL COOLER
8	83882C91		1	LIGHT
9	D71346		1	BULB
10	107329C1		1	SOCKET
11	761-17325		2	SCREW

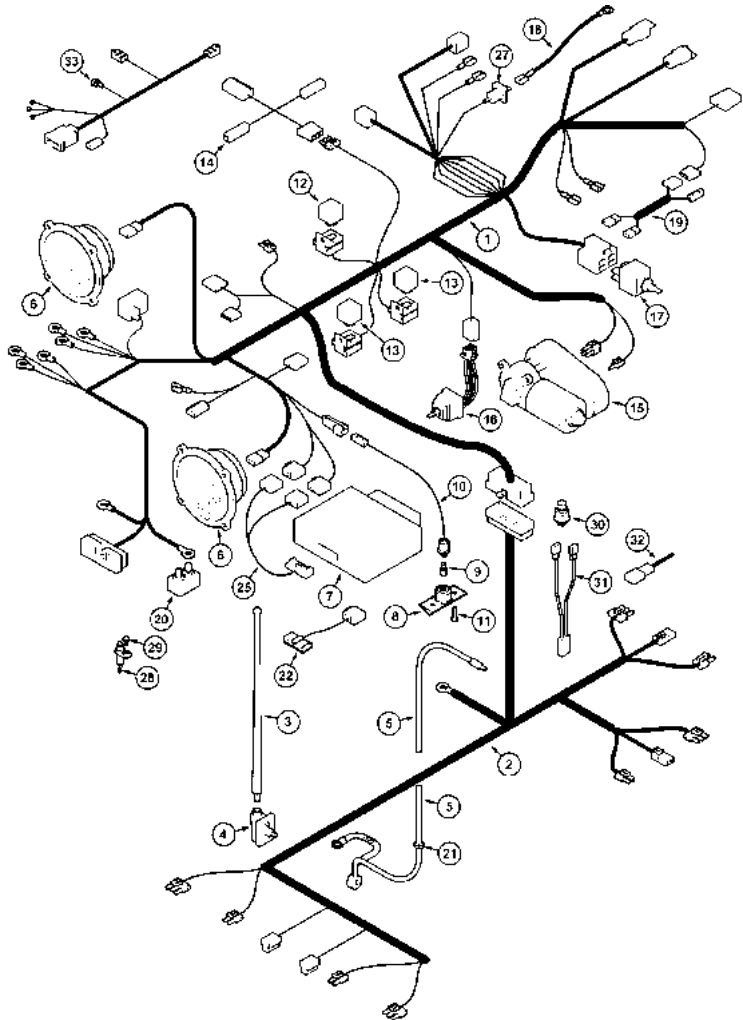
4 - Electrical System

4 -
029

HARNES - CAB ROOF

XTX Series XTX185, XTX200, XTX215 (2005-2007)

4029



800 mm
Europe Only
N.A. Only
No. 168
INNER
OUTER
750 mm
410 mm
360 mm
1500 mm
Delco
Philips
Includes: 9,10
4,2 x 25 mm
Consists Of: 198960A1,4
Automatic Temperature Control
With Cassette Player
CD
CONTINUED

B

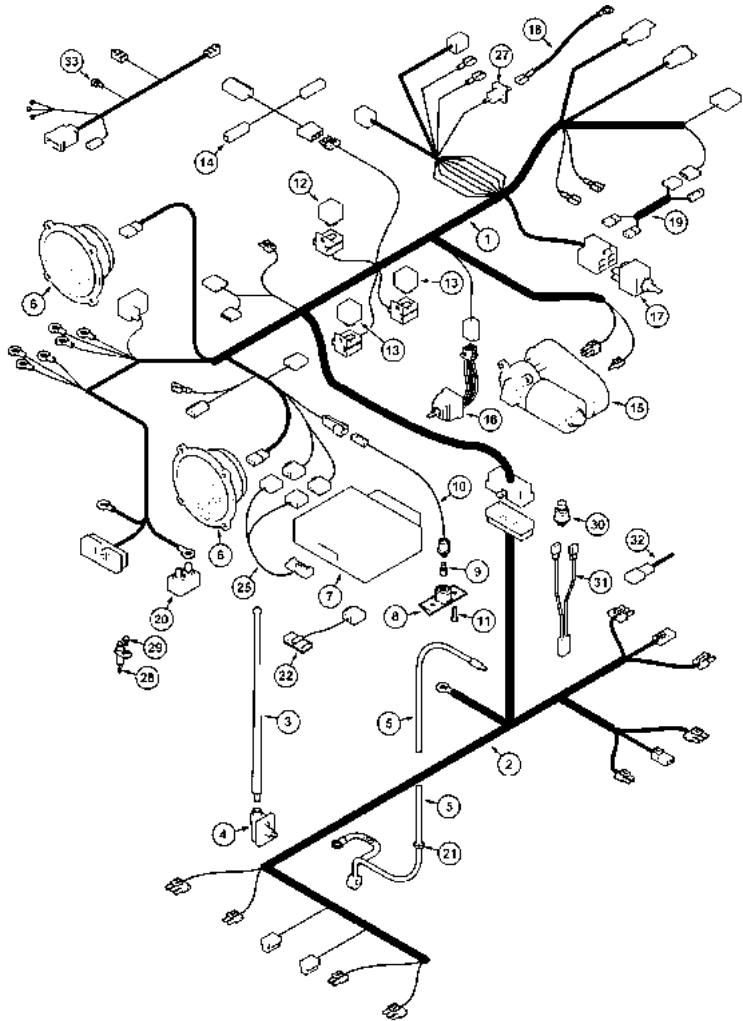
4 - Electrical System

4 -
031

HARNESS - CAB ROOF

XTX Series XTX185, XTX200, XTX215 (2005-2007)

4031



- | | | | |
|----|----------|---|---------|
| 12 | 384114A1 | 1 | RELAY |
| 13 | 384114A1 | 2 | RELAY |
| 14 | 254919A1 | 1 | HARNESS |
| 15 | REF | 1 | Motor |
| 16 | REF | 1 | Switch |
| 17 | 403129A1 | 1 | SWITCH |
| 18 | 236864A2 | 1 | HARNESS |
| 19 | 254920A2 | 1 | HARNESS |
| 19 | 296484A1 | 2 | Harness |

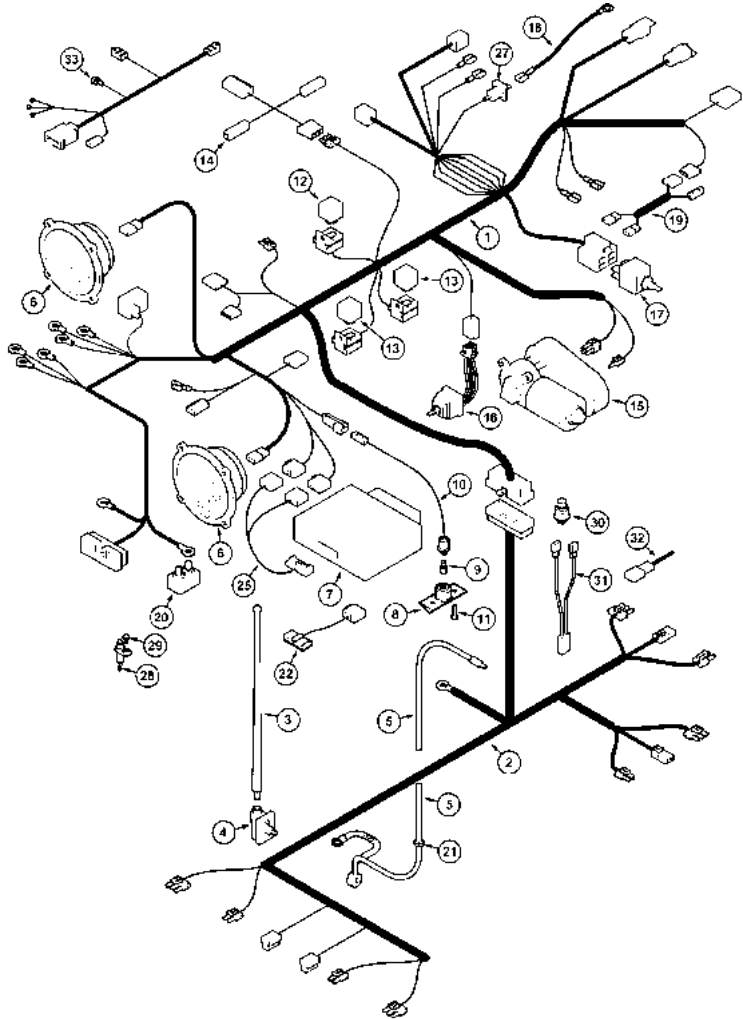
4 - Electrical System

4 -
031

HARNES - CAB ROOF

XTX Series XTX185, XTX200, XTX215 (2005-2007)

4031



20 92056C1
21 248-21110
22 296470A1

1 BREAKER
1 CHOCK
1 Harness Assy

23 296456A2

1 CABLE

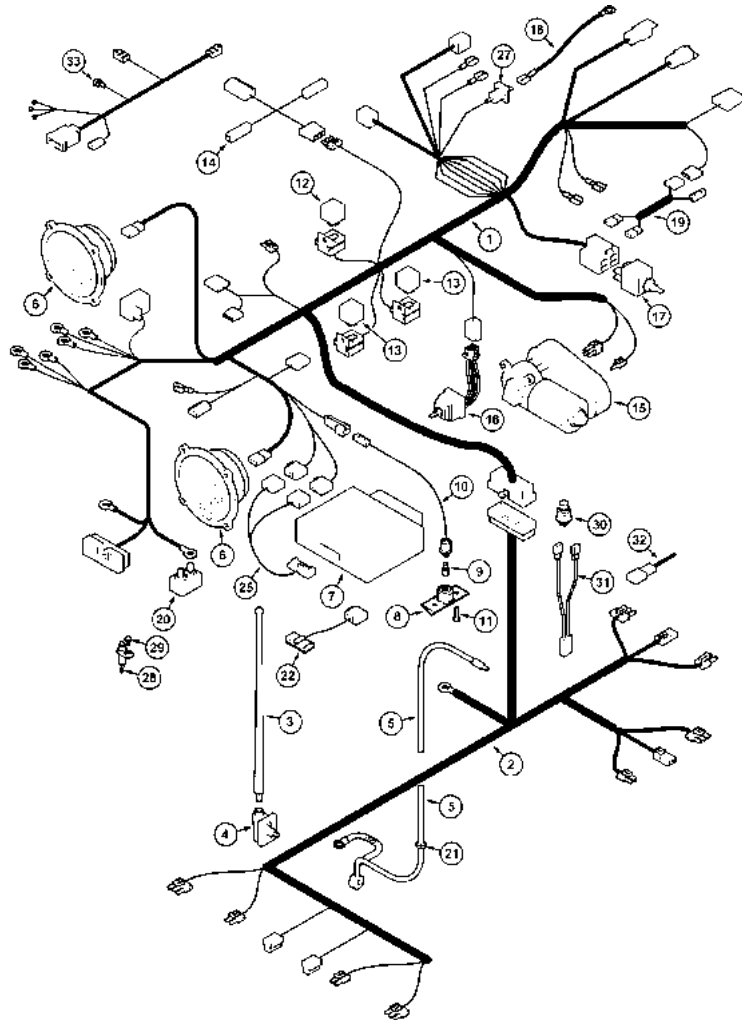
4 - Electrical System

4 -
031

HARNES - CAB ROOF

XTX Series XTX185, XTX200, XTX215 (2005-2007)

4031



- Europe Only
- N.A. Only
- 20 AMP
- Adaptor
- Diode
- CONTROL
- Blower
- Dome
- Light
- Windshield Wiper Front
- A Post
- Front Work Light
- 40 AMP
- 1 in
- Door Right
- Use With: Audiovox Radio
- See Page(s): 4-87,89,91
- See Page(s): 9-69,71
- NOT ILLUSTRATED
- CONTINUED

A
B

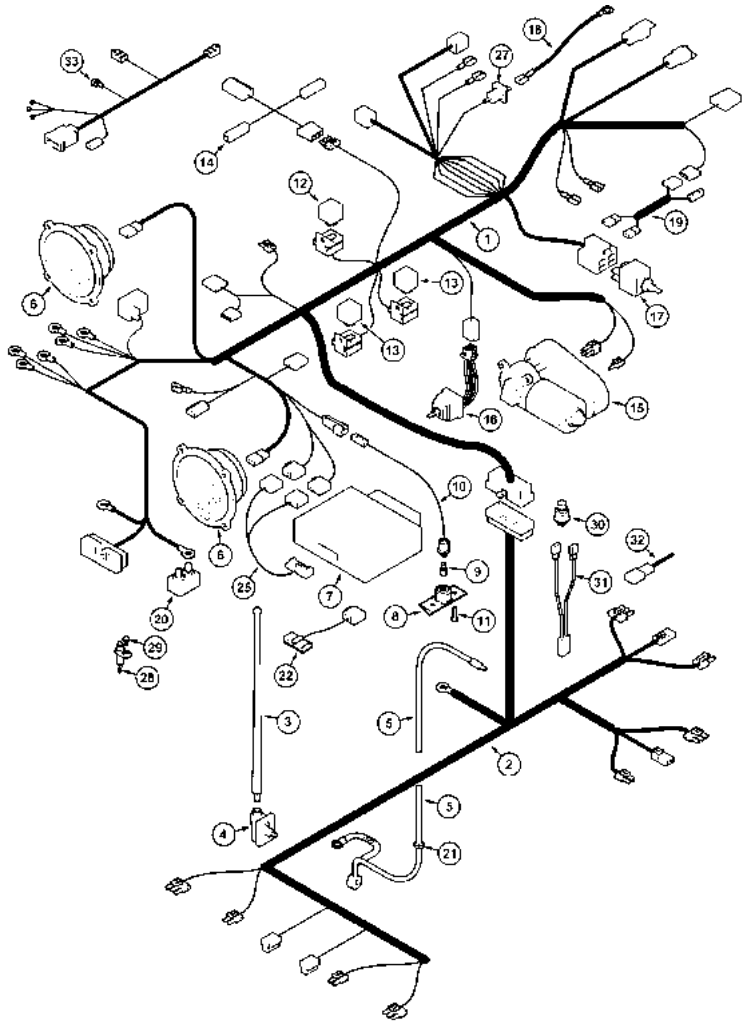
4 - Electrical System

4 -
033

HARNES - CAB ROOF

XTX Series XTX185, XTX200, XTX215 (2005-2007)

4033



24	895-15008	3	WASHER
25	296455A1	1	HARNES
25	322337A1	1	Harness Assy
25	366526A1	1	Harness Assy
25	379465A1	1	HARNES
26	829-1408	1	NUT

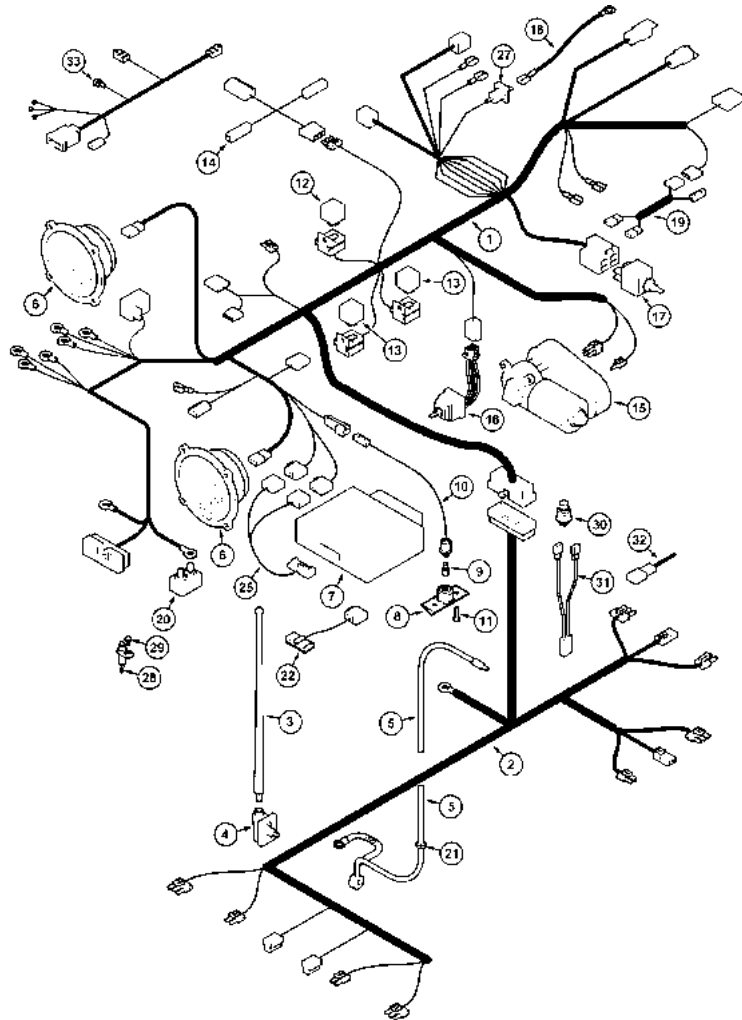
4 - Electrical System

4 -
033

HARNESS - CAB ROOF

XTX Series XTX185, XTX200, XTX215 (2005-2007)

4033



- | | | | |
|----|-----------|---|---------|
| 27 | 355956A1 | 1 | DIODE |
| 28 | 1534229C1 | 1 | SWITCH |
| 29 | 765-34313 | 1 | Screw |
| 30 | 446313A3 | 1 | Switch |
| 31 | 452222A1 | 1 | HARNESS |
| 32 | 711445A1 | 1 | WIRE |
| 33 | 710319A1 | 1 | HARNESS |

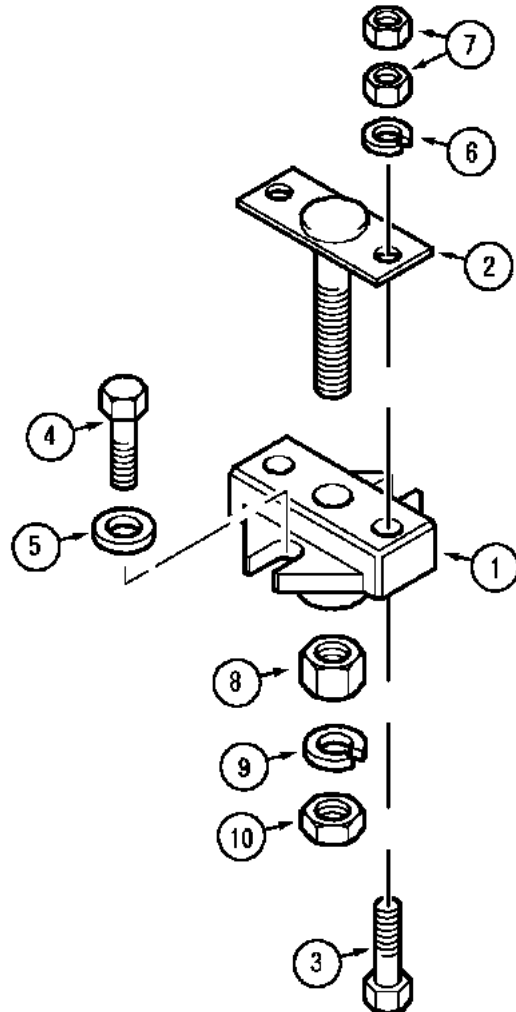
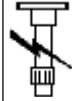
M8; 10
 9 x 20 x 1,6 mm
 N.A. Only
 1000 mm
 Adaptor
 Delco
 4,2 x 13 mm
 Door Right
 Door Left
 Heated Mirrors
 Use With: ISO-YAZAKI
 Use With: YAZAKI-ISO
 Use With: YAZAKI-ISO, DELCO
 Use With: ISO, EUR.-ISO, N.A.

Use With: 23,24
 #XTX-M
 #XTX-E / Eplus

A NOT ILLUSTRATED

XTX Series XTX185, XTX200, XTX215 (2005-2007)

4035



- | | | | |
|----|-----------|---|--------------|
| 1 | 239428A1 | 1 | BLOCK |
| 2 | 305945A1 | 1 | BAR PLATE |
| 3 | 614-8025 | 2 | SCREW |
| 4 | 614-8016 | 2 | SCREW |
| 5 | 896-11008 | 2 | WASHER |
| 6 | 892-11008 | 2 | WASHER |
| 7 | 829-1408 | 4 | NUT |
| 8 | 425-106 | 2 | NUT |
| 9 | 492-11038 | 2 | Washer, Lock |
| 10 | 425-146 | 2 | NUT |

M8 x 16; 8,8

M8 x 25; 8,8

9 x 17 x 2 mm

M8; 10

M8

3/8

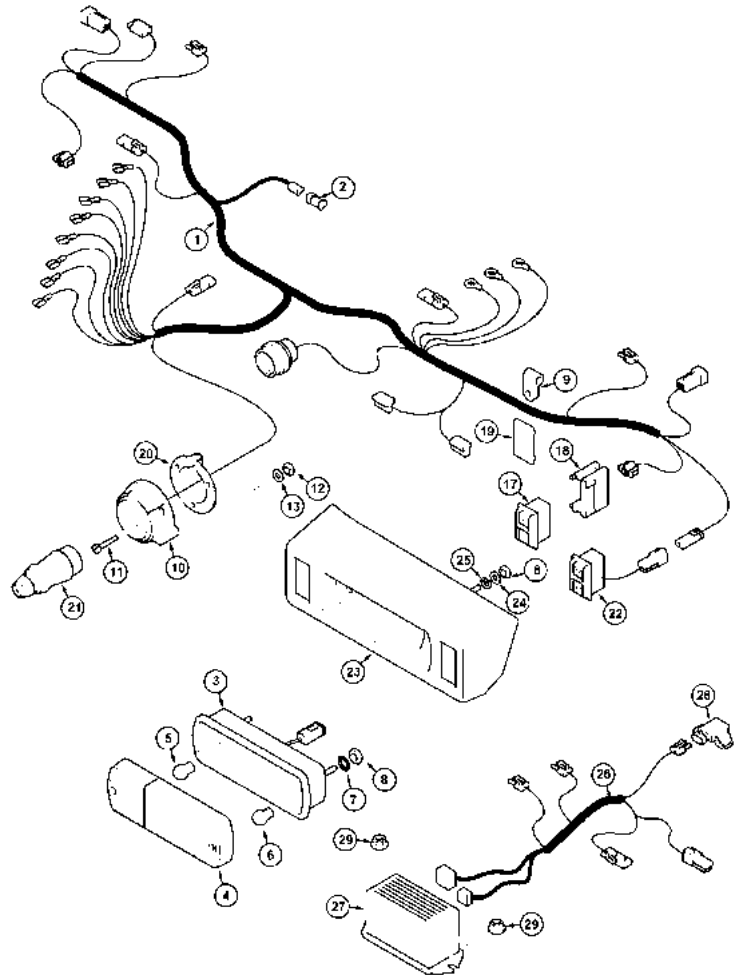
4 - Electrical System

4 -
039

HARNESS - REAR FENDER

XTX Series XTX185, XTX200, XTX215 (2005-2007)

4039



- | | | | |
|----|-----------|---|------------|
| 23 | 325843A1 | 1 | CRANKCASE |
| 23 | 335963A1 | 1 | CRANKCASE |
| 24 | 895-15006 | 4 | WASHER |
| 25 | 892-11006 | 4 | WASHER |
| 26 | 710945A2 | 1 | HARNESS |
| 27 | 704074A2 | 1 | Controller |
| 27 | 712978A1 | 1 | SOFTWARE |
| 28 | 704143A1 | 1 | SENSOR |
| 29 | 825-2406 | 2 | NUT |

Left
Right
M6; 8
M6
Position
Clutch
Suspension
6,6 x 25 x 1,6 mm
CAB
Cab Suspension
Includes: 712978A1

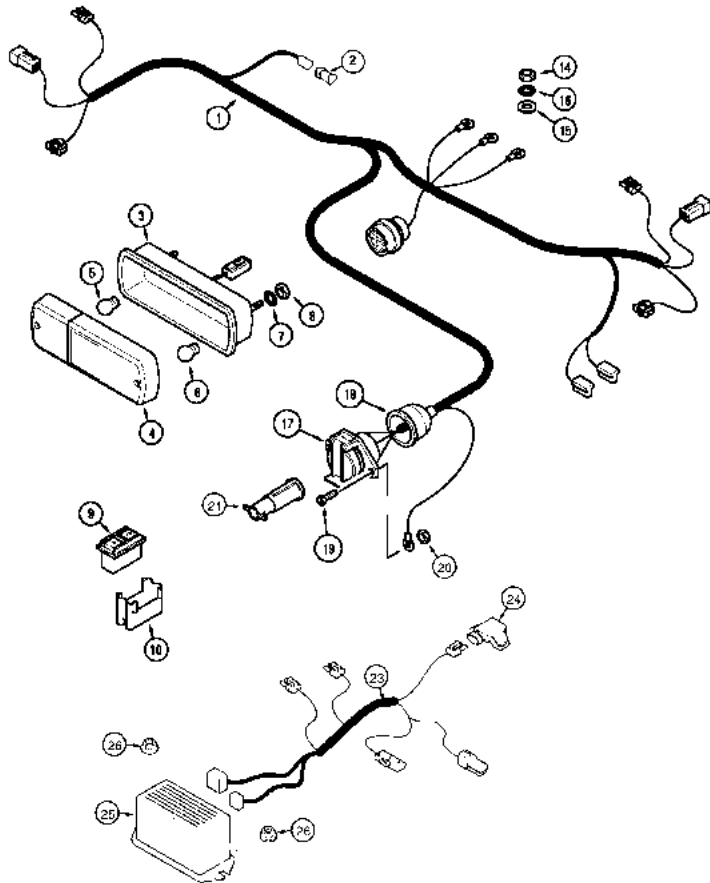
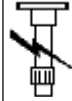
4 - Electrical System

4 -
041

HARNESS - REAR FENDER - N.A. Only

XTX Series XTX185, XTX200, XTX215 (2005-2007)

4041



- | | | | |
|----|-----------|---|--------------|
| 1 | 702713A3 | 1 | Harness |
| 1 | 702787A3 | 1 | Harness |
| 2 | 712954A1 | 1 | RESISTOR |
| 3 | 418699A1 | 1 | LAMP |
| 3 | 418700A1 | 1 | LAMP |
| 4 | 187140A1 | 1 | JACKET/TRO |
| 5 | 1094366R1 | 1 | LAMP |
| 6 | 3131234R1 | 1 | LIGHT |
| 7 | 893-11006 | 4 | Washer, Lock |
| 8 | 829-1406 | 4 | NUT |
| 9 | 220415A2 | 2 | SWITCH |
| 10 | 220416A2 | 2 | CLAMP |
| 14 | 829-1408 | 1 | NUT |
| 15 | 895-11008 | 1 | WASHER |
| 16 | 892-11008 | 1 | WASHER |

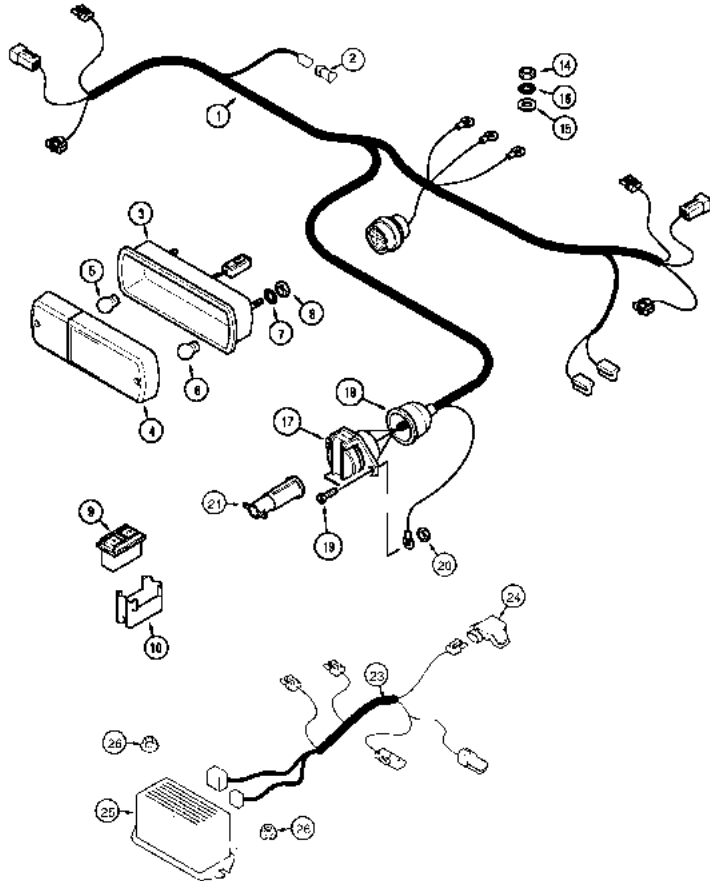
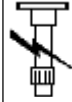
4 - Electrical System

4 -
041

HARNESS - REAR FENDER - N.A. Only

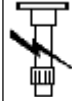
XTX Series XTX185, XTX200, XTX215 (2005-2007)

4041

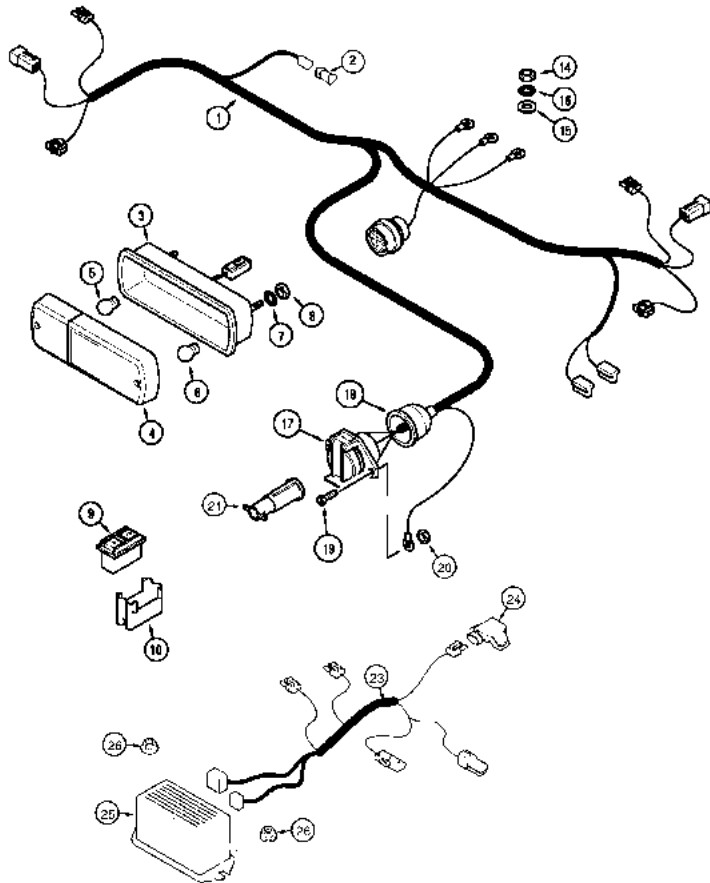


- | | | | | |
|----|----------|----------------|---|-------------|
| 17 | 121645C1 | | 1 | COMPLIANCE |
| 18 | 481849C1 | | 1 | BOOT |
| 19 | 844-8020 | ● 2314H003 (2) | 2 | BOLT |
| 20 | 825-2408 | | 2 | NUT |
| 21 | 121646C1 | | 1 | CONNECTION |
| 22 | 194109A1 | | 1 | FINAL DRIVE |
| 23 | 710945A2 | | 1 | HARNESS |
| 24 | 704143A1 | | 1 | SENSOR |
| 25 | 704074A2 | | 1 | Controller |
| 25 | 712978A1 | | 1 | SOFTWARE |
| 26 | 825-2406 | | 2 | NUT |

XTX Series XTX185, XTX200, XTX215 (2005-2007)



4041



- M8; 8
- 9 x 17 x 1,6 mm
- Left
- Right
- M8 x 20; 8,8
- M8; 10
- M8
- M6; 8
- M6
- Worklight
- Turn Signal
- 7 Pin
- 12V, 21w
- Position
- M6; 10
- 12V, 5w
- Stop - Tail Lights
- Clutch
- Includes: 4 - 6
- Pin: 7
- Remote Control
- See Page(s): 4-45
- Wide Fender
- Cab Suspension
- Includes: 712978A1
- NOT ILLUSTRATED

A

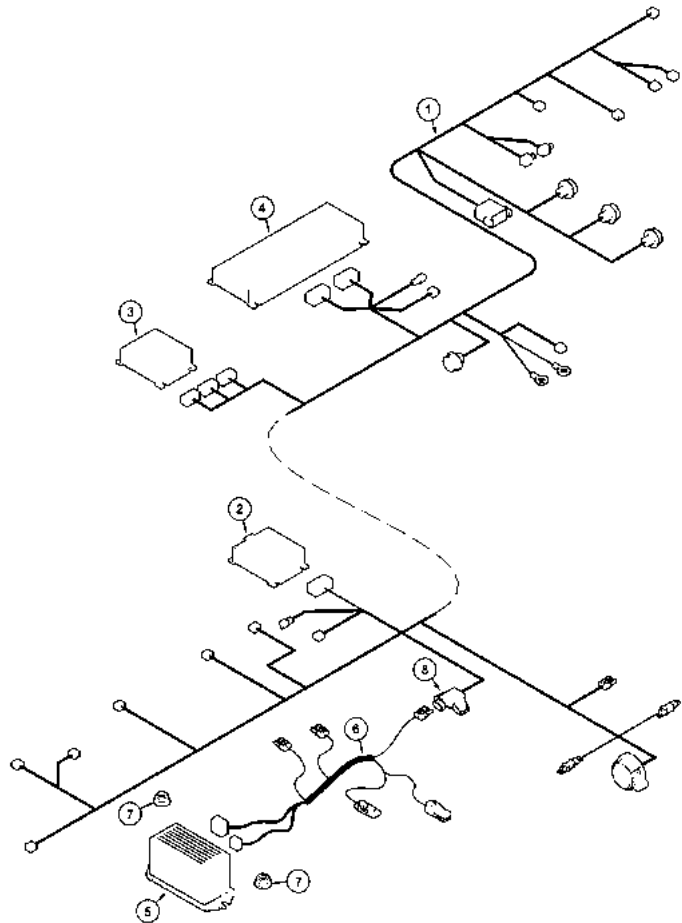
4 - Electrical System

4 -
043

HARNESS - REAR FENDER - XTX-Eplus

XTX Series XTX185, XTX200, XTX215 (2005-2007)

4043



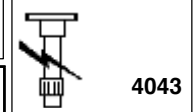
- | | | | | |
|---|----------|----------------|---|------------|
| 1 | 712069A2 | | 1 | HARNESS |
| 1 | 712072A2 | | 1 | HARNESS |
| 2 | 706229A3 | ● 706229A4 (1) | 1 | Module |
| 2 | 708788A2 | | 1 | SOFTWARE |
| 3 | 710147A2 | ● 710147A5 (1) | 1 | CONTROL |
| 3 | 710151A1 | | 1 | SOFTWARE |
| 4 | 710152A2 | ● 710152A7 (1) | 1 | CONTROL |
| 5 | 704074A2 | | 1 | Controller |
| 5 | 712978A1 | | 1 | SOFTWARE |
| 6 | 710945A2 | | 1 | HARNESS |
| 7 | 825-2406 | | 2 | NUT |
| 8 | 704143A1 | | 1 | SENSOR |

4 - Electrical System

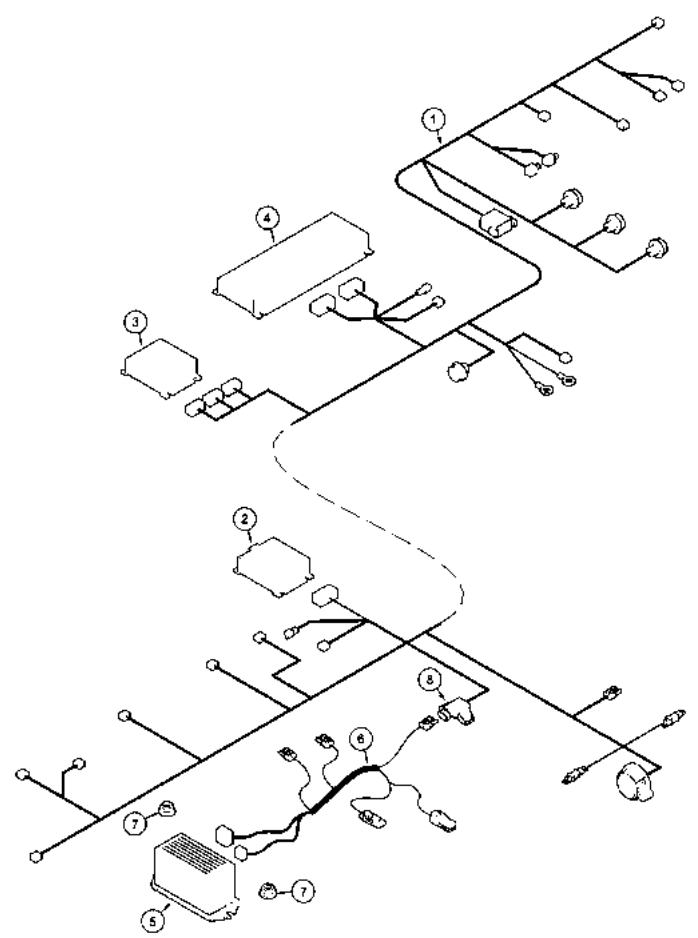
4 -
043

HARNESS - REAR FENDER - XTX-Eplus

XTX Series XTX185, XTX200, XTX215 (2005-2007)



4043



- M6; 8
- Europe Only
- N.A. Only
- AUXILIARY
- Clutch
- Suspension
- Hitch
- CAB
- Cab Suspension
- Includes: 712978A1
- Includes: 708788A2
- Includes: 710151A1

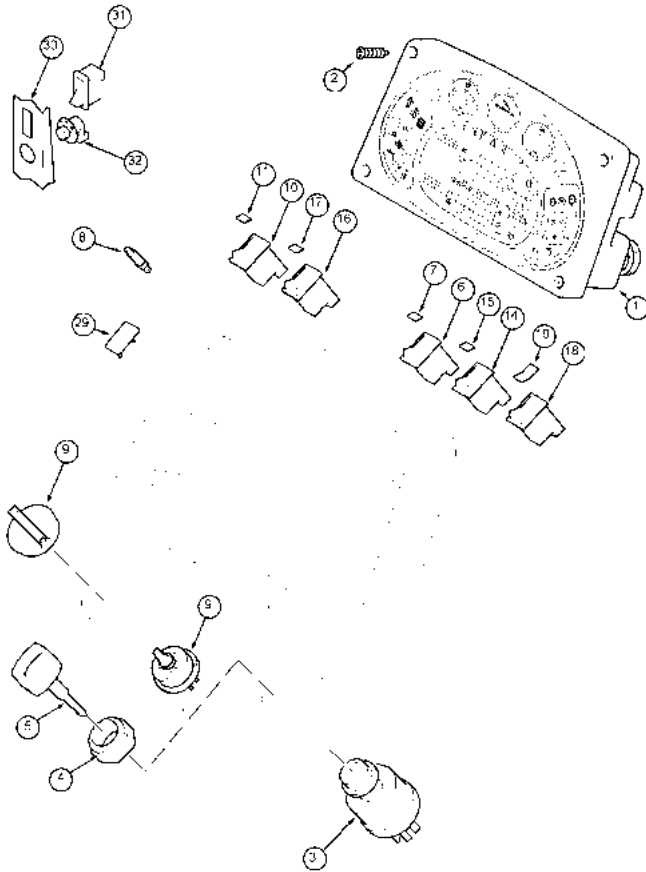
4 - Electrical System

4 -
045

INSTRUMENT PANEL

XTX Series XTX185, XTX200, XTX215 (2005-2007)

4045



- | | | | | | |
|---|-----------|---|-------------------------------|---|-------------|
| 1 | 711213A3 | ● | 711213A9 (1) | 1 | Cluster As |
| 1 | 711214A3 | ● | 711214A8 (1) | 1 | SUPPORT |
| 2 | 260-56516 | | | 4 | SCREW |
| 3 | 705360A2 | ● | 3688342M92 (1) | 1 | KEY |
| 4 | 705363A1 | | | 1 | Nut |
| 5 | 705361A1 | | | 1 | KEY |
| 6 | 194114A1 | ● | 1983283C1 (1)
245908C1 (1) | 1 | SWITCH |
| 7 | NSS | | | 1 | Lens |
| 8 | 134608A1 | | | 1 | INSERT |
| 8 | 3141107R1 | | | 1 | LAMP |
| 9 | 177249A1 | | | 1 | FINAL DRIVE |
| 9 | 197168A1 | | | 1 | FINAL DRIVE |

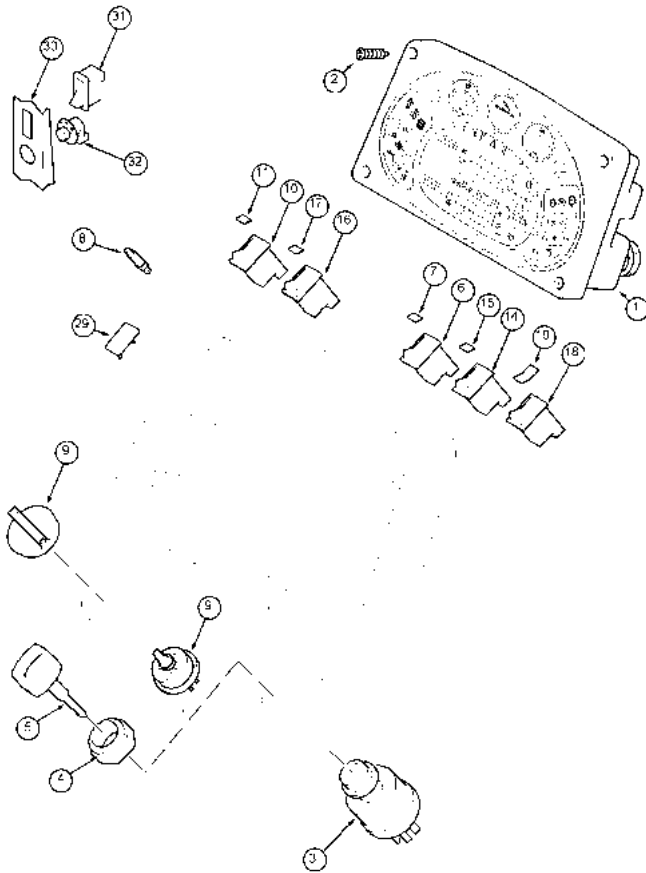
4 - Electrical System

4 -
045

INSTRUMENT PANEL

XTX Series XTX185, XTX200, XTX215 (2005-2007)

4045



- | | | | | |
|----|-----------|---------------------------------|---|-------------|
| 10 | 194109A1 | | 1 | FINAL DRIVE |
| 11 | NSS | | 1 | Lens |
| 14 | 194112A1 | ● 245909C1 (1)
1983276C1 (1) | 1 | OUTLET |
| 14 | 245909C1 | | 1 | SWITCH |
| 15 | 1983276C1 | | 1 | JACKET/TRO |
| 16 | 194113A1 | ● 233265A1 (1)
245909C1 (1) | 1 | SWITCH |
| 16 | 245909C1 | | 1 | SWITCH |
| 17 | 233265A1 | | 1 | JACKET/TRO |

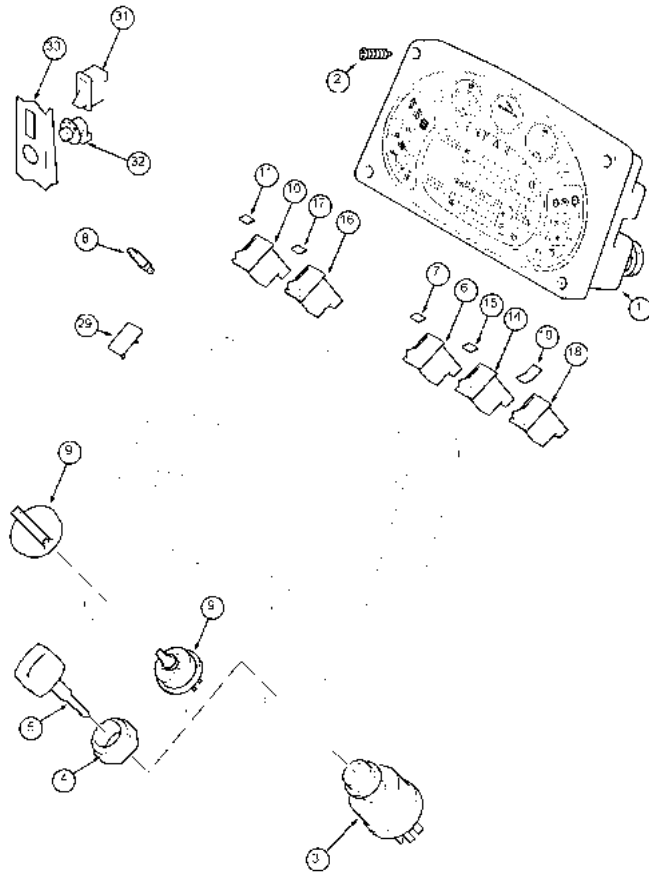
4 - Electrical System

4 -
045

INSTRUMENT PANEL

XTX Series XTX185, XTX200, XTX215 (2005-2007)

4045



- Includes: 4,5
- Includes: 11
- Europe Only
- N.A. Only
- Headlight
- Worklight
- 12V, 1,2 w
- Hazard Warning
- No. 10 x 1
- Set Of: 2
- Includes: 7,8
- Position: x 3
- Position: x 4
- With Air Brake
- Includes: 3141107R1
- Rotating Beacon
- FOGLIGHT
- Consists Of: 245909C1,15
- Consists Of: 245909C1,17
- CONTINUED
- B RED
- C GREEN
- D YELLOW
- Y REAR

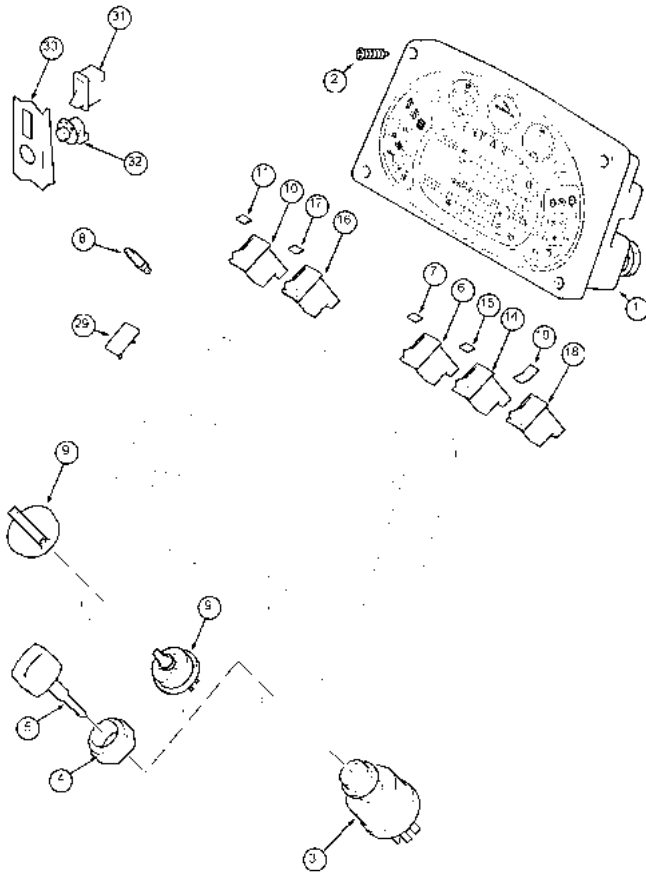
4 - Electrical System

4 -
047

INSTRUMENT PANEL

XTX Series XTX185, XTX200, XTX215 (2005-2007)

4047



- | | | | | | |
|----|----------|---|------------------------------|---|----------|
| 18 | 194115A3 | ● | 190525A3 (1)
225024A2 (1) | 1 | SWITCH |
| 18 | 225024A2 | | | 1 | SWITCH |
| 19 | 190525A3 | | | 1 | SILENCER |
| 29 | 245918C1 | | | 0 | PLUG |
| 29 | 417600A1 | ● | 245918C1 (0) | 0 | PLUG |
| 30 | 437453A3 | | | 1 | Cover |
| 31 | 447274A1 | | | 1 | SWITCH |
| 32 | 280627A1 | | | 1 | SWITCH |

Optional
 Europe Only
 Remote Control
 Roof Lights
 With Front Hitch
 B Post
 Heated Mirrors
 Consists Of: 225024A2,19
 C GREEN

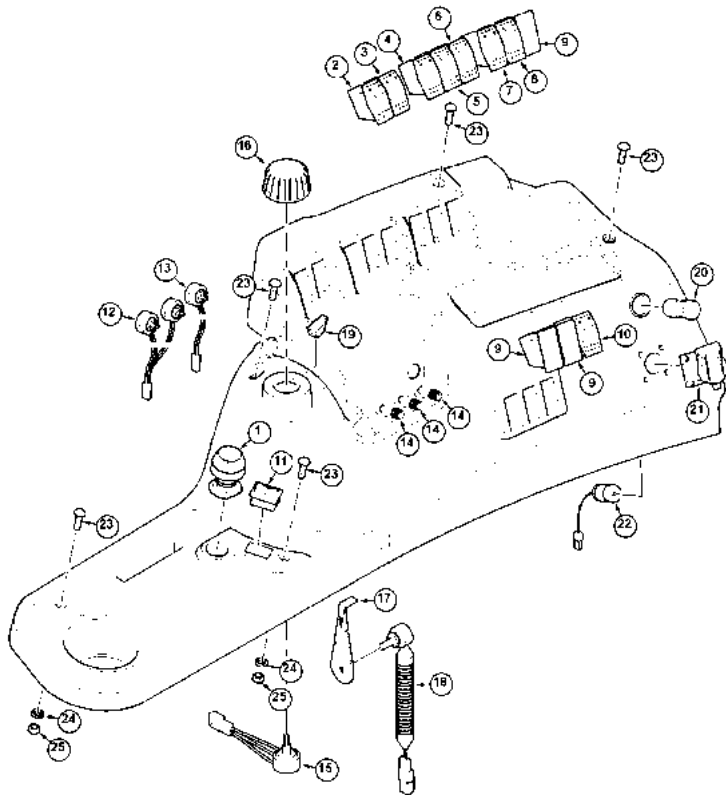
4 - Electrical System

4 -
049

CONTROL CONSOLE, RIGHT - XTX-Eplus

XTX Series XTX185, XTX200, XTX215 (2005-2007)

4049



- | | | | |
|----|----------|---|-------------|
| 1 | 707016A1 | 1 | SWITCH |
| 2 | 708383A1 | 1 | SWITCH,IND |
| 3 | 708384A1 | 1 | SWITCH,IND |
| 4 | 708385A1 | 1 | SWITCH |
| 5 | 710843A1 | 1 | SWITCH,IND |
| 6 | 710846A1 | 1 | SWITCH,IND |
| 7 | 710844A1 | 1 | SWITCH,IND |
| 8 | 710845A1 | 1 | SWITCH,IND |
| 9 | 708388A1 | 0 | SWITCH |
| 10 | 712985A1 | 1 | Switch Assy |
| 11 | 708382A1 | 1 | SWITCH,IND |
| 12 | 142087A1 | 1 | HANGER |
| 13 | 193132A1 | 1 | HANGER |
| 14 | 223433A1 | 3 | GRIP |
| 15 | A186061 | 1 | HANGER |

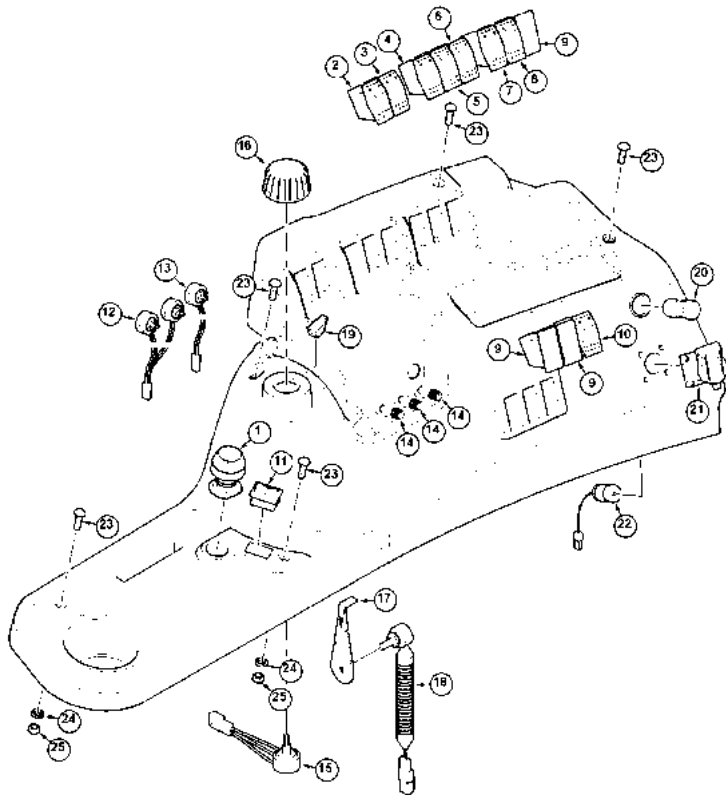
4 - Electrical System

4 -
049

CONTROL CONSOLE, RIGHT - XTX-Eplus

XTX Series XTX185, XTX200, XTX215 (2005-2007)

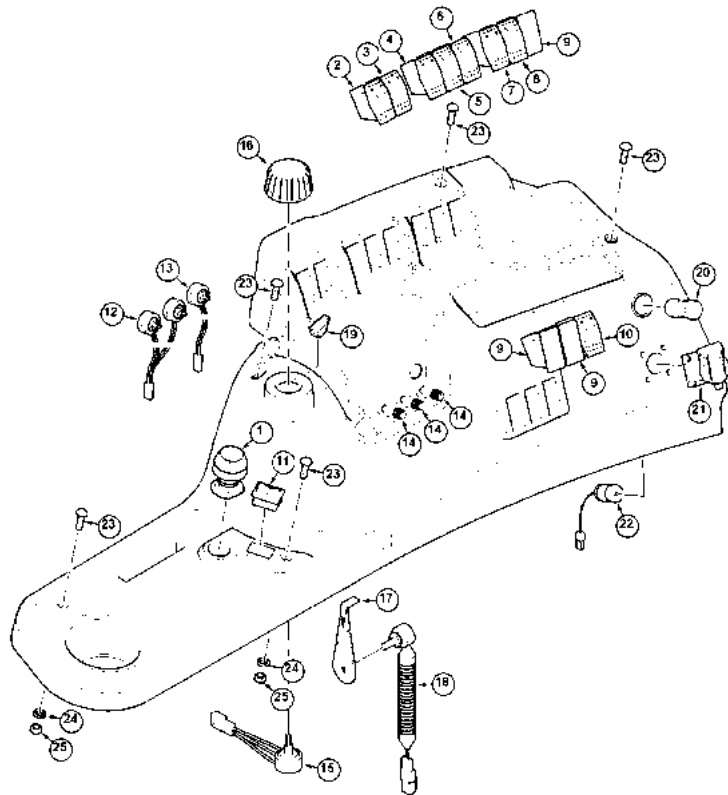
4049



- | | | | | |
|----|-----------|------------------|---|-------------------|
| 16 | 187820A1 | | 1 | GRIP |
| 17 | 710637A2 | ● 4218875M1 (1) | 1 | Lever |
| 18 | 711259A2 | | 0 | POTENTIOMETE
R |
| 19 | 704435A1 | | 1 | Knob |
| 20 | 1964773C1 | ● 4218407M91 (1) | 1 | ALLEN KEY |
| 21 | 1533880C1 | | 2 | INTAKE |
| 22 | 227739A2 | | 2 | HARNESS |
| 23 | 260-16516 | | 5 | SCREW |
| 24 | 2775307R1 | | 5 | WASHER |
| 25 | 222858A1 | | 5 | TIE |

XTX Series XTX185, XTX200, XTX215 (2005-2007)

4049



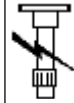
- 4WD
- 12 V
- Europe Only
- N.A. Only
- Position
- No. 10 x 1
- Creep Speed
- Diff Lock
- SPEED
- Hitch
- Front P.T.O.
- Ride Control
- Travel
- Adjustment
- Rear PTO
- Wheel Slip
- AUTO P.T.O.
- HITCH CONTROL
- SUSPENSION AXLE
- Limiter

4 - Electrical System

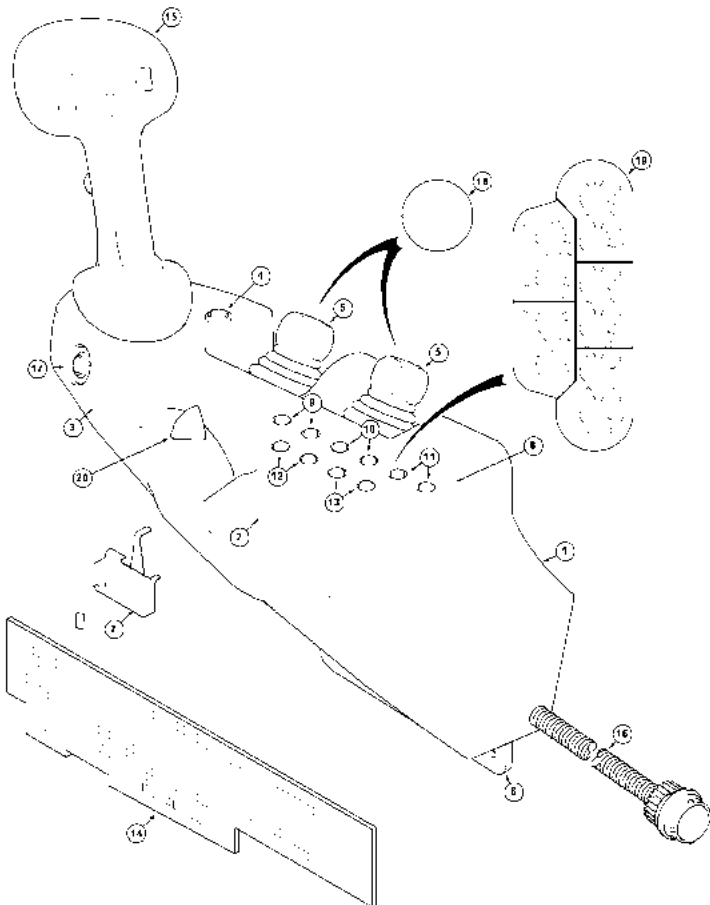
4 -
051

CONTROL CONSOLE, RIGHT - ARMREST

XTX Series XTX185, XTX200, XTX215 (2005-2007)

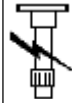


4051

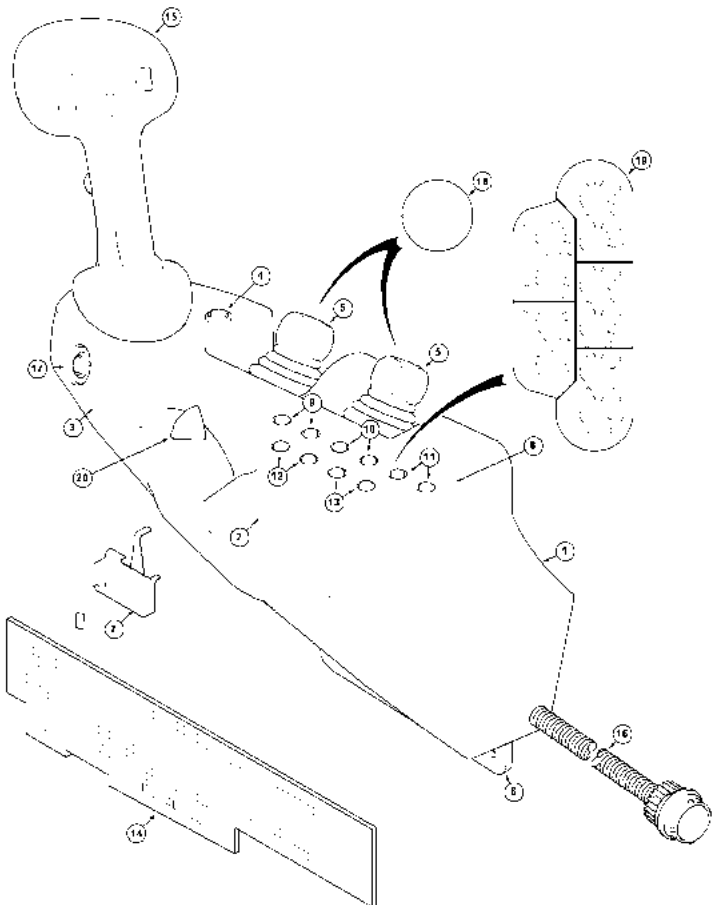


- | | | | |
|---|----------|----|---------------|
| 1 | 710716A1 | 1 | Control Assy |
| 2 | 707478A1 | 1 | Cover |
| 3 | 706365A1 | 1 | Cover |
| 3 | 707479A1 | 1 | Screw |
| 3 | 707480A1 | 3 | Screw |
| 4 | 707485A1 | 1 | Button |
| 5 | 707479A1 | 8 | Screw |
| 5 | 707486A1 | 2 | Control Lever |
| 5 | 707487A1 | 2 | Adapter |
| 5 | 707488A1 | 8 | Screw |
| 5 | 711223A1 | 2 | JOYSTICK |
| 6 | 707479A1 | 6 | Screw |
| 6 | 707489A1 | 1 | Plate |
| 7 | 704437A1 | 1 | Control Assy |
| 7 | 707491A1 | 4 | Screw |
| 8 | 707491A1 | 4 | Screw |
| 8 | 707492A1 | 1 | Potentiometer |
| 8 | 707493A1 | 10 | Button |

XTX Series XTX185, XTX200, XTX215 (2005-2007)



4051



- | | | | |
|----|----------|----|--------------|
| 8 | 707494A1 | 10 | Indicator |
| 9 | 707495A1 | 2 | Button |
| 10 | 707496A1 | 2 | Button |
| 11 | 707495A1 | 2 | Button |
| 12 | 707496A1 | 2 | Button |
| 13 | 707497A1 | 2 | Button |
| 14 | 707498A1 | 1 | Circuit, E |
| 14 | 707499A1 | 8 | Screw |
| 15 | TBA | 1 | Lever Assy |
| 16 | 707501A1 | 1 | Harness Assy |
| 16 | 707502A1 | 1 | Tape |
| 17 | 707481A1 | 1 | Button |
| 17 | 707482A1 | 1 | Adapter |
| 18 | 711144A1 | 1 | DECAL |
| 19 | 711145A1 | 1 | DECAL |
| 20 | 707490A1 | 1 | HANDLE |

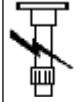
C

4 - Electrical System

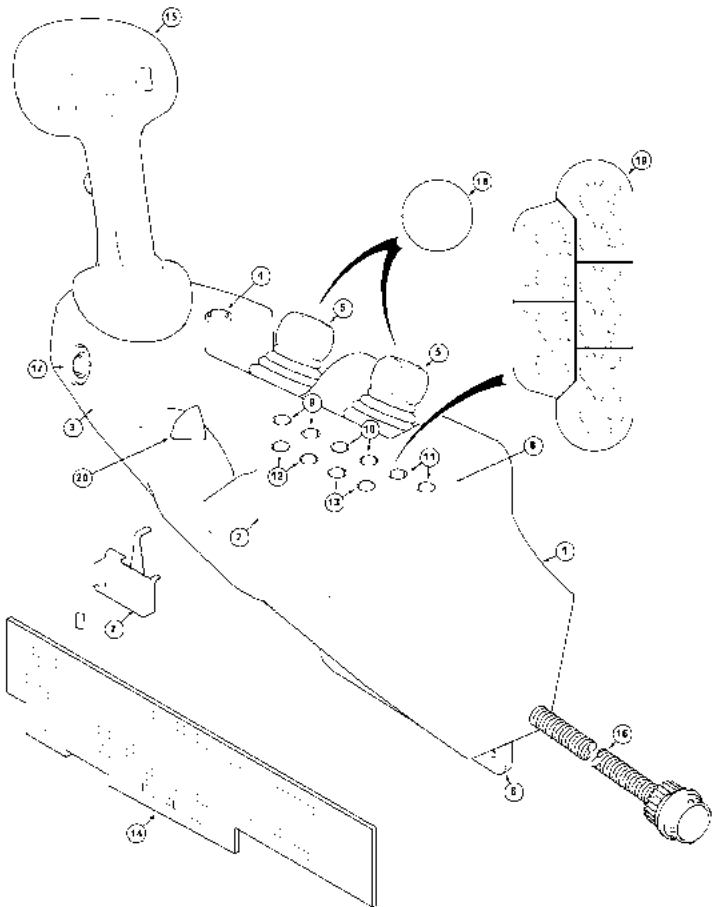
4 -
051

CONTROL CONSOLE, RIGHT - ARMREST

XTX Series XTX185, XTX200, XTX215 (2005-2007)



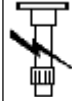
4051



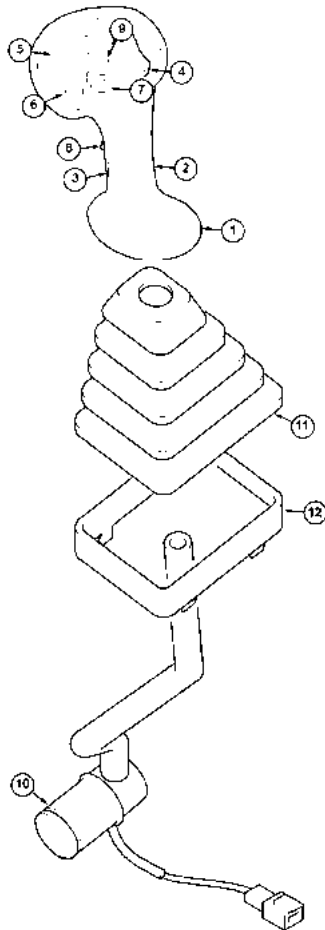
Upper
LOWER
Optional
4 POSITIONS
BLACK
M4 x 12
M4 x 16
Grey
Consists Of: 2 - 19
M4 x 6
See Page(s): 9-37
M4 x 10
M4 x 4
RED
GREEN

C
C

XTX Series XTX185, XTX200, XTX215 (2005-2007)



4053



- | | | | |
|----|-----------|---|-------------|
| 1 | 713199A1 | 1 | Lever Assy |
| 2 | 713263A1 | 1 | Cover |
| 3 | 713262A1 | 1 | Cover |
| 4 | 713264A1 | 1 | Switch Assy |
| 5 | 713265A1 | 2 | Plug, Blan |
| 6 | 713201A1 | 1 | BUTTON |
| 7 | 713202A1 | 1 | BUTTON |
| 8 | 713266A1 | 1 | BUTTON |
| 9 | 713261A1 | 1 | INDICATOR |
| 10 | 452628A1 | 1 | Lever |
| 11 | 1533271C1 | 1 | BELLOWS |
| 12 | 241536A1 | 1 | FRAME |

Upper

LOWER

Consists Of: 2 - 12

See Page(s): 9-33

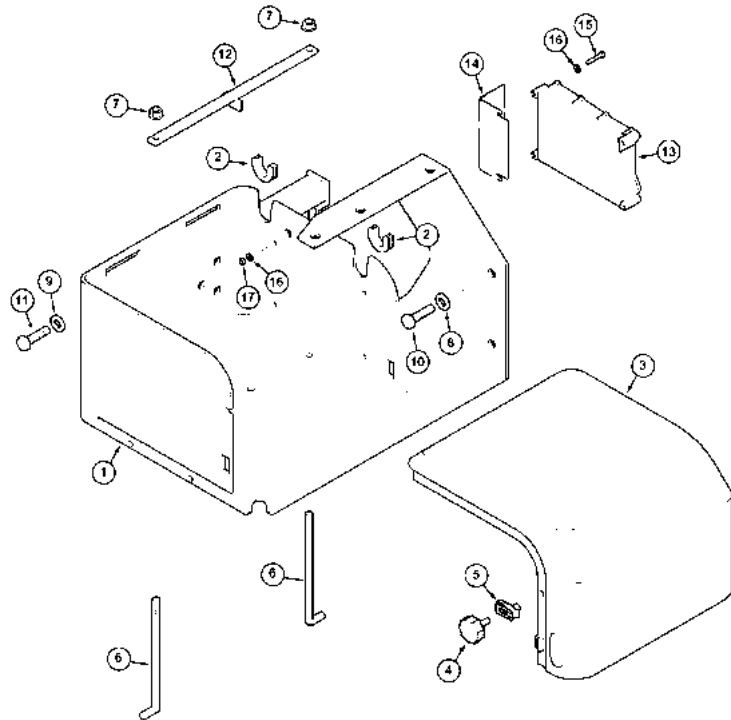
4 - Electrical System

4 -
055

BATTERY COVERS

XTX Series XTX185, XTX200, XTX215 (2005-2007)

4055



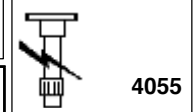
- | | | | | |
|----|-----------|---|---|--------------|
| 1 | 709178A2 | | 1 | Box, Battery |
| 2 | 307753A2 | | 2 | EDGE |
| 3 | 305435A3 | ● | 1 | MUFF |
| 4 | 232116A1 | | 1 | GRIP |
| 5 | 833-40306 | | 1 | NUT |
| 6 | 284881A1 | ● | 2 | BOLT |
| 7 | 825-5148 | | 2 | NUT |
| 8 | 896-11016 | ● | 2 | WASHER |
| 9 | 896-11012 | ● | 2 | WASHER |
| 10 | 627-16045 | | 2 | BOLT |
| 11 | 627-12030 | | 2 | SCREW |
| 12 | 307753A2 | | 1 | EDGE |
| 13 | 710158A7 | ● | 1 | Module |
| 13 | 710160A5 | | 1 | SOFTWARE |
| 14 | 710528A2 | ● | 1 | SHIELD |
| 15 | 814-6050 | | 4 | BOLT |
| 16 | 895-11006 | ● | 8 | WASHER |

4 - Electrical System

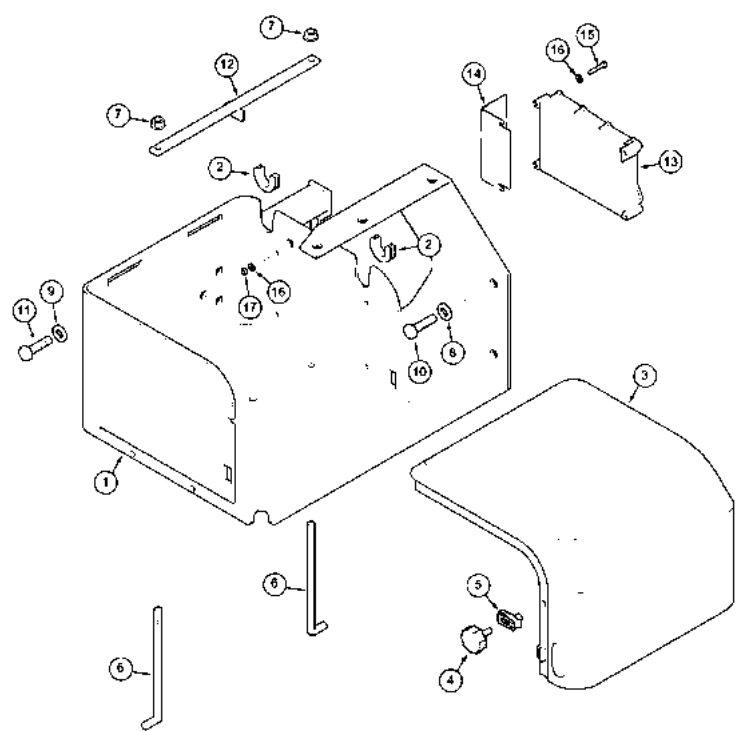
4 -
055

BATTERY COVERS

XTX Series XTX185, XTX200, XTX215 (2005-2007)



4055



- 17 825-2406 4 NUT
- 6,6 x 12 x 1,6 mm
- M8; 8
- Includes: 4,5
- M6; 8
- M6
- M12 x 30; 10,9
- 17,5 x 30 x 4 mm
- 13.5 mm
- M16 x 45; 10,9
- M6 x 50; 8,8
- Includes: 710160A5

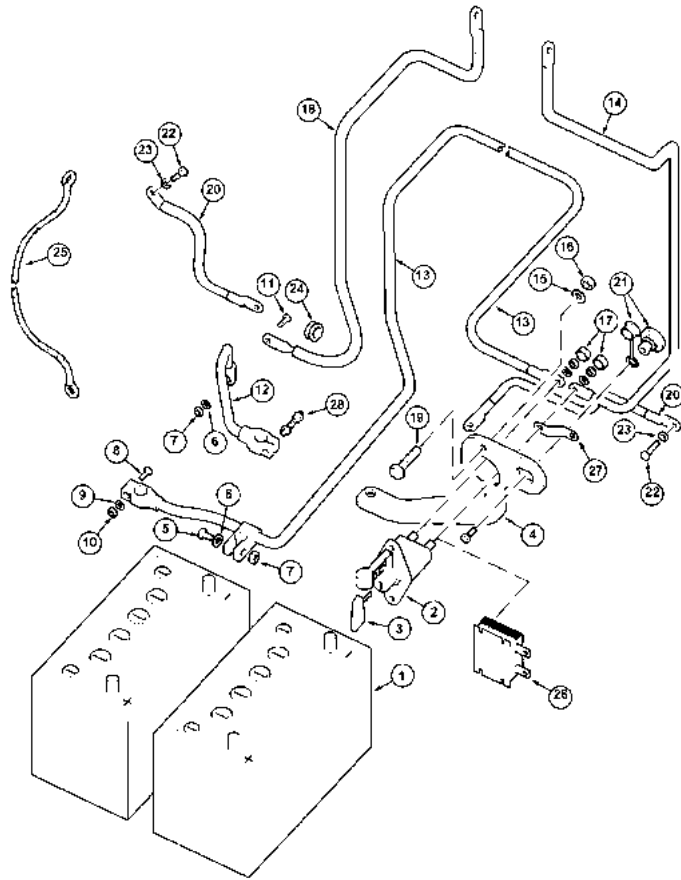
4 - Electrical System

4 -
057

BATTERY AND CABLES

XTX Series XTX185, XTX200, XTX215 (2005-2007)

4057



- | | | | | |
|---|-----------|--------|---|---------|
| 1 | 1471255M1 | A
C | 1 | BATTERY |
| 1 | BMF31G | | 1 | Battery |
| 2 | 1983240C1 | | 1 | SWITCH |
| 3 | 1539005C1 | | 1 | KEY |
| 4 | 220446A1 | | 1 | STRAP |
| 4 | 708753A1 | | 1 | Bracket |
| 4 | 709869A1 | | 1 | Bracket |
| 5 | 814-10040 | | 2 | BOLT |

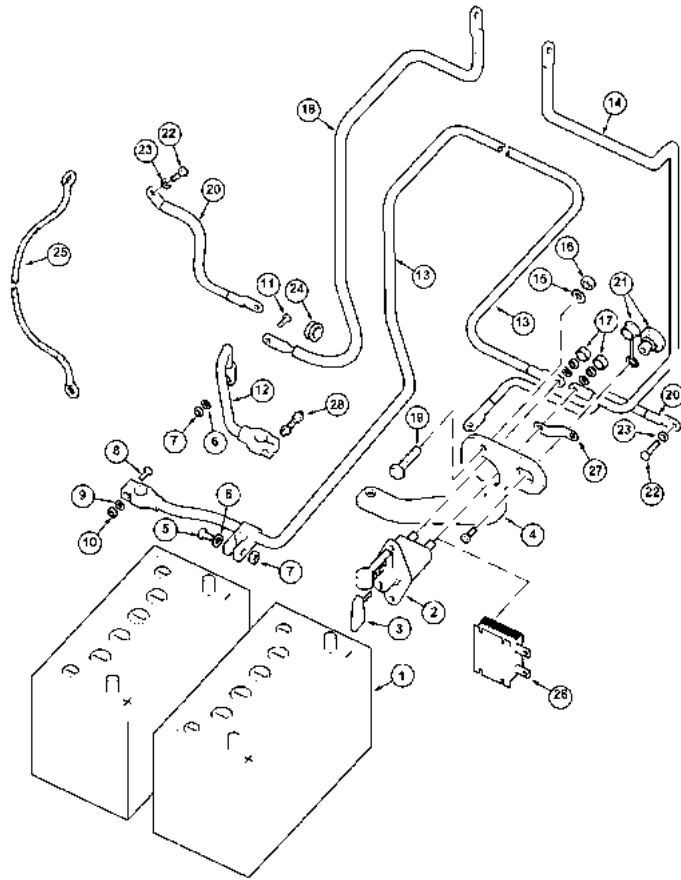
4 - Electrical System

4 -
057

BATTERY AND CABLES

XTX Series XTX185, XTX200, XTX215 (2005-2007)

4057



- | | | | | |
|----|-----------|----------------|---|--------------|
| 6 | 892-11010 | | 3 | Washer, Lock |
| 7 | 829-1310 | | 3 | NUT |
| 8 | 814-8035 | ● 339009X1 (2) | 2 | BOLT |
| 9 | 895-11008 | | 2 | WASHER |
| 10 | 829-1308 | | 2 | NUT FNS |
| 11 | 614-10025 | | 1 | BOLT |
| 12 | 183452A2 | | 0 | CABLE |
| 13 | 706933A1 | | 1 | Cable |
| 13 | 706933A1 | | 1 | Cable |
| 13 | 709993A1 | ● 709993A2 (1) | 1 | CABLE |

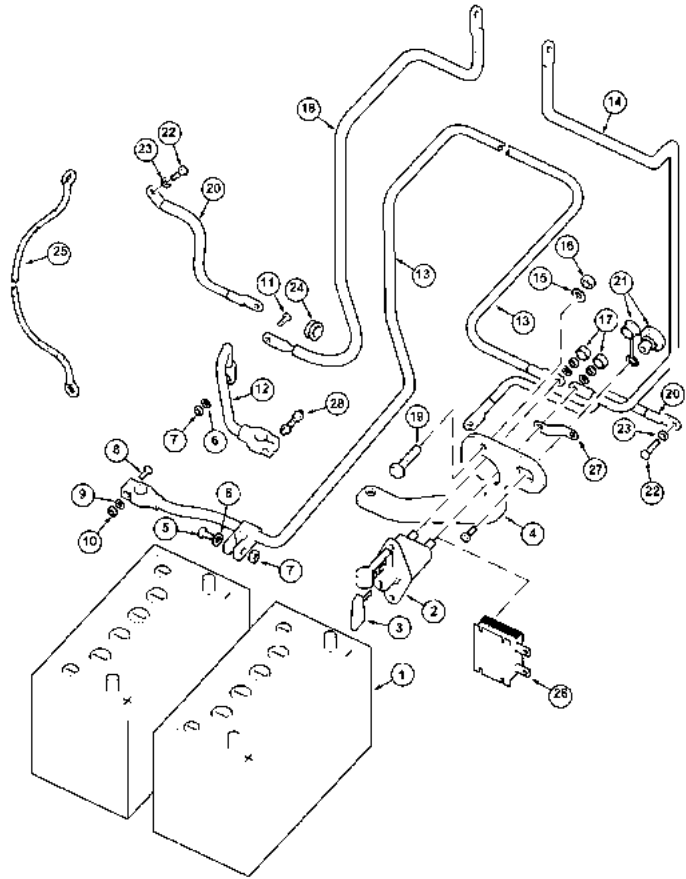
4 - Electrical System

4 -
057

BATTERY AND CABLES

XTX Series XTX185, XTX200, XTX215 (2005-2007)

4057



13 710520A1

1 CABLE

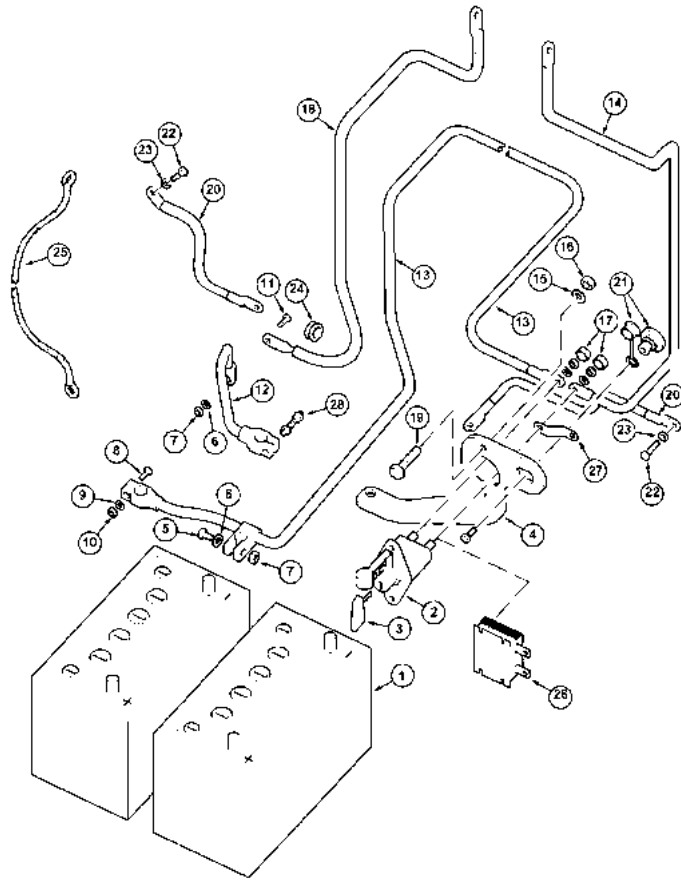
4 - Electrical System

4 -
057

BATTERY AND CABLES

XTX Series XTX185, XTX200, XTX215 (2005-2007)

4057



- M10 x 40; 8,8
- 9 x 17 x 1,6 mm
- Includes: 3
- M10
- M8 x 35; 8,8
- M8; 10
- Europe Only
- N.A. Only
- 12V
- DRY CHARGED
- M10 x 25; 8,8
- Illustrated
- M10; 10
- With Jump Stud
- Battery - Chassis
- Battery: 2
- Battery - Switch
- Battery: 1
- BATTERY - STARTER
- Use With: 1983240C1
- Without Master Disconnect
-
- Master Disconnect
- #XTX215
- #XTX185, XTX200
- A DRY CHARGED
- B CONTINUED

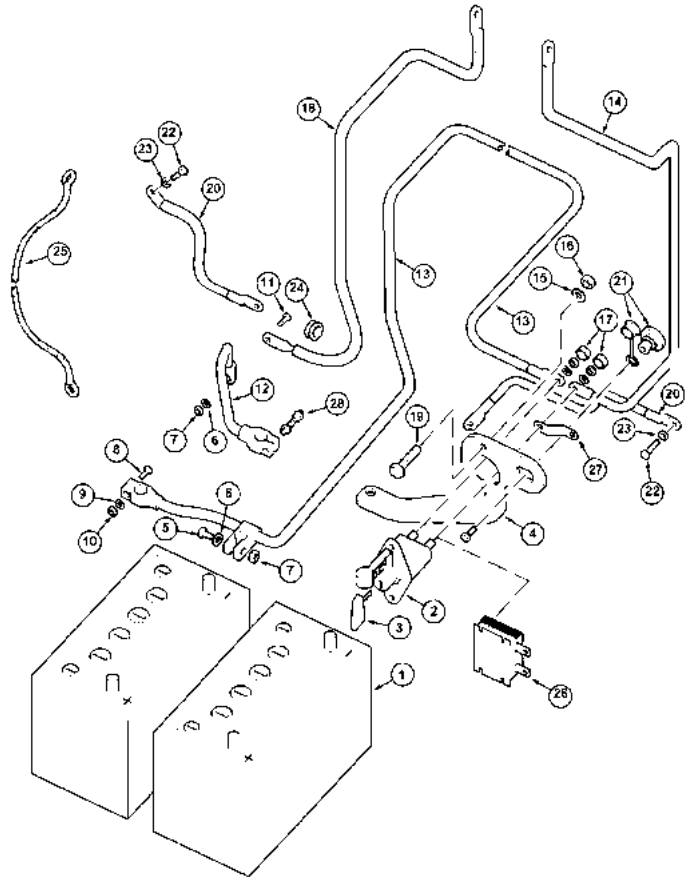
4 - Electrical System

4 -
057

BATTERY AND CABLES

XTX Series XTX185, XTX200, XTX215 (2005-2007)

4057



C

EXCLUDED "N.A.O." MARKET

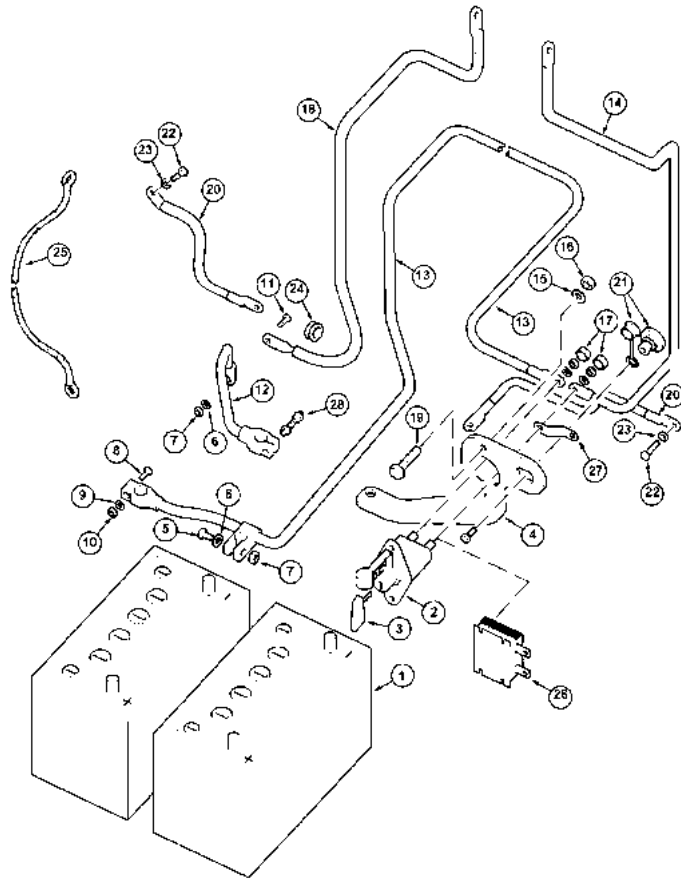
4 - Electrical System

4 -
059

BATTERY AND CABLES

XTX Series XTX185, XTX200, XTX215 (2005-2007)

4059



14	220462A2		1	CABLE
14	333584A3		1	Cable
15	895-11006	● 390971X1 (2)	2	WASHER
15	895-15006		2	WASHER
16	832-10406	● 1441500X1 (2)	2	NUT FNS
17	3221520R1	● 3543102M1 (0)	0	CAP
17	357874A1		0	Cap
18	183453A2		1	CABLE

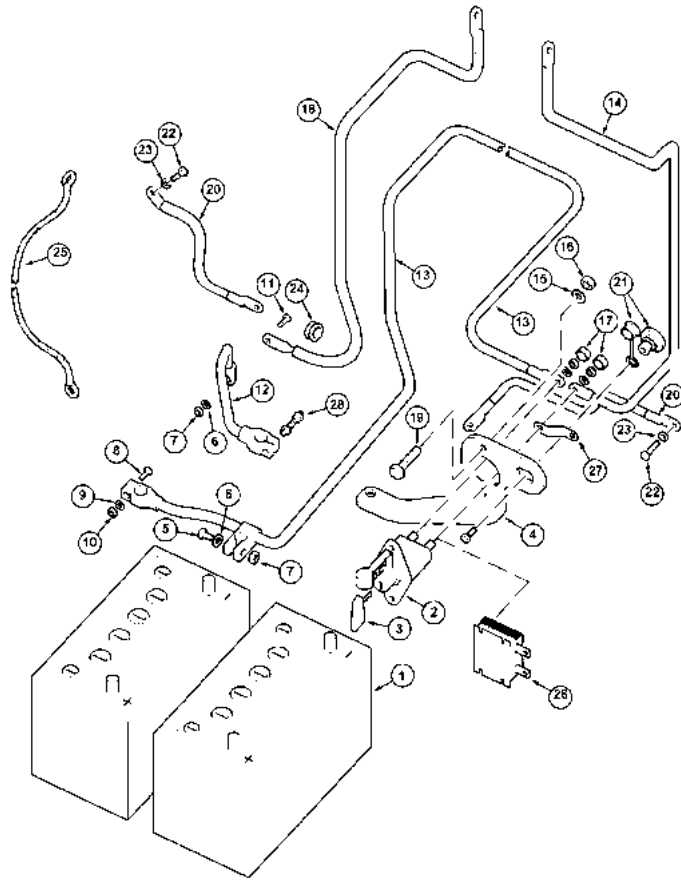
4 - Electrical System

4 -
059

BATTERY AND CABLES

XTX Series XTX185, XTX200, XTX215 (2005-2007)

4059



- | | | | | | |
|----|-----------|---|---------------|---|-----------|
| 19 | 614-6020 | ● | 339666X1 (2) | 2 | BOLT |
| 20 | 280053A2 | | | 2 | CABLE |
| 21 | 1964554C1 | | | 1 | STUD |
| 22 | 614-12020 | | | 2 | BOLT |
| 23 | 896-11012 | ● | 3667437M1 (2) | 2 | WASHER |
| 24 | 1533307C2 | | | 1 | Grommet |
| 25 | 224552A1 | | | 1 | CABLE |
| 26 | 701773A1 | | | 1 | Switch |
| 27 | 374619A1 | | | 1 | BAR PLATE |
| 28 | 196182A1 | ● | N.L.A. (0) | 0 | Bolt Assy |

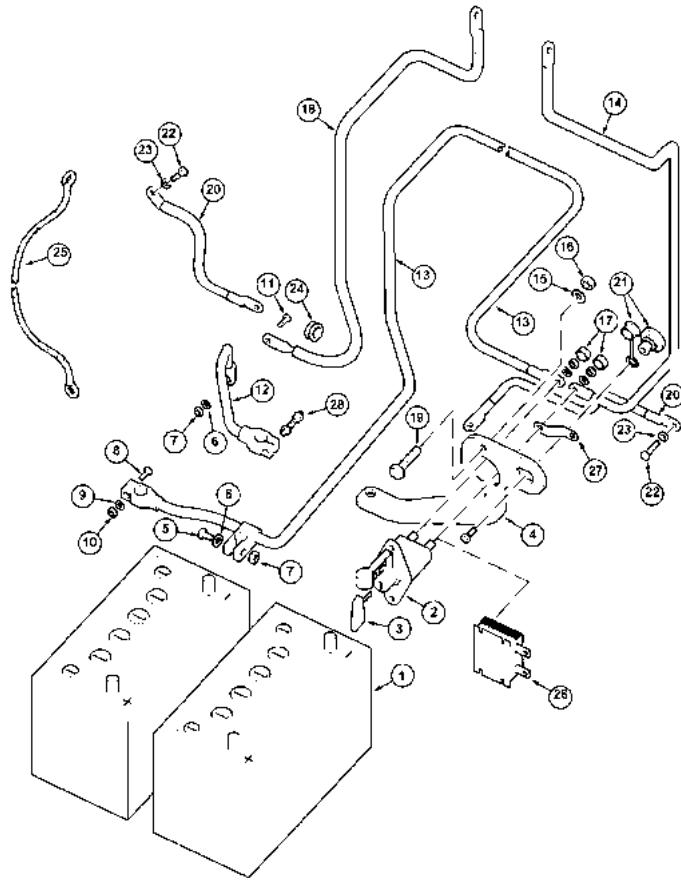
4 - Electrical System

4 -
059

BATTERY AND CABLES

XTX Series XTX185, XTX200, XTX215 (2005-2007)

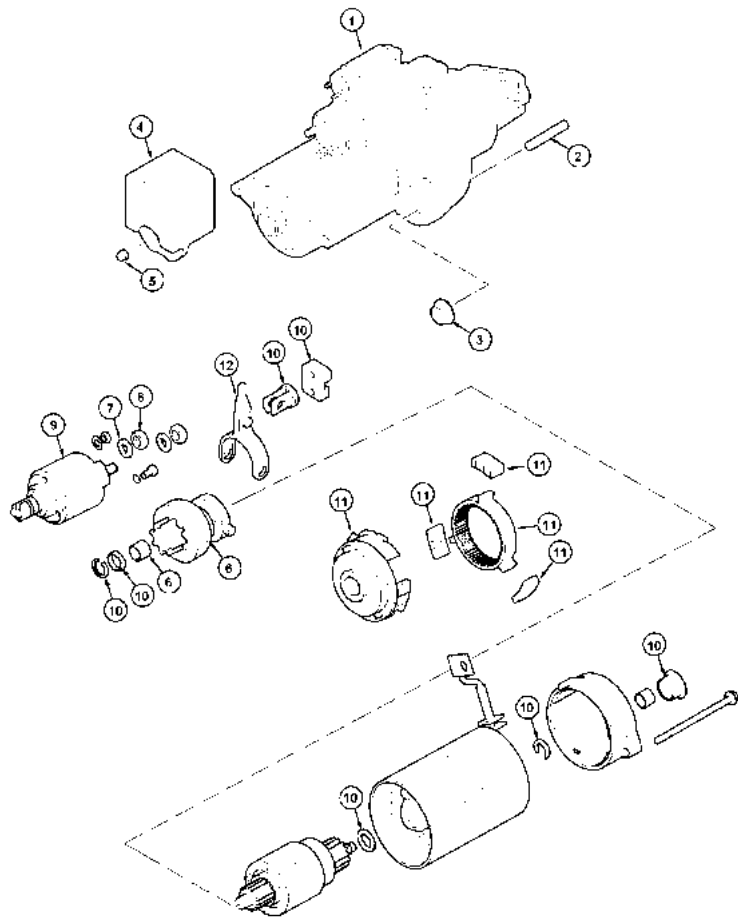
4059



- 6,6 x 12 x 1,6 mm
- If So Equipped
- M6; 8
- Europe Only
- N.A. Only
- M6 x 20; 8,8
- 13.5 mm
- 6,6 x 25 x 1,6 mm
- Ground
- BOSCH
- Disconnect
- +
- Switch - Starter
- Nippondenso
- M12 x 20; 8,8
- ELECTRICAL
- Chassis - Starter
- M10, ISO
- #XTX215
- #XTX185, XTX200

XTX Series XTX185, XTX200, XTX215 (2005-2007)

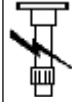
4061



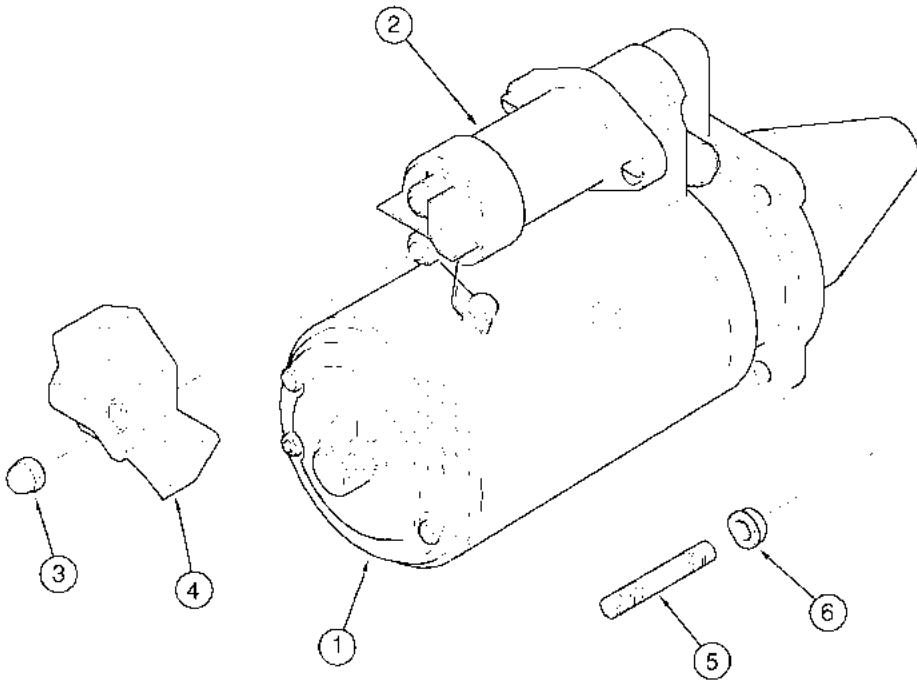
- | | | | | | |
|----|----------|---|----------------|---|------------------|
| 1 | 705107A1 | ● | 6504655M91 (1) | 1 | STARTERMOTO
R |
| 2 | 712177A1 | | | 3 | STUD |
| 3 | 704582A1 | | | 3 | NUT |
| 4 | 709090A1 | | | 1 | Cover |
| 5 | 395378A1 | | | 1 | NUT |
| 6 | 713807A1 | ● | 6503091M1 (1) | 1 | Gear Assy |
| 7 | 713808A1 | | | 1 | Washer, Lock |
| 8 | 713809A1 | | | 1 | NUT |
| 9 | 713810A1 | ● | 4218639M2 (1) | 1 | SOLENOID |
| 10 | 713811A1 | ● | 4218640M1 (1) | 1 | KIT |
| 11 | 713812A1 | ● | 4218641M1 (1) | 1 | KIT |
| 12 | 713813A1 | | | 1 | CLEVIS |

Consists Of: 6 - 12
120 amp

XTX Series XTX185, XTX200, XTX215 (2005-2007)



4063



- | | | | | | |
|---|----------|---|---------------|---|----------|
| 1 | 259720A1 | ● | 116928A2 (1) | 1 | DIFFUSER |
| 2 | TBA | | | 1 | Coil |
| 3 | 395378A1 | | | 1 | NUT |
| 4 | 395377A1 | | | 1 | COVER |
| 5 | 701074A1 | | | 3 | Stud |
| 6 | 825-2410 | ● | 1441932X1 (3) | 3 | NUT |

M10
M10 x 45
4.8 kw

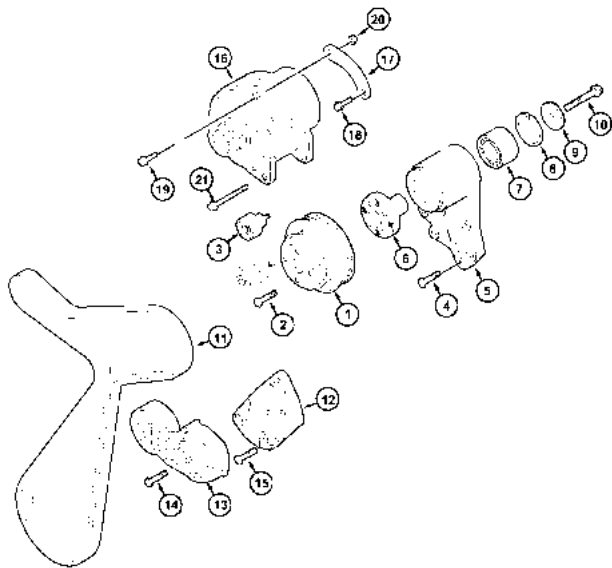
4 - Electrical System

4 -
065

ALTERNATOR AND MOUNTING - XTX185, XTX200

XTX Series XTX185, XTX200, XTX215 (2005-2007)

4065



- | | | | |
|----|-----------|-----------------------------------|--------------|
| 1 | 710241A1 | ● 4218943M1 (1) | 1 PULLEY |
| 2 | 704985A1 | | 4 BOLT |
| 3 | 707446A1 | | 1 PULLEY |
| 4 | 704993A1 | | 4 BOLT |
| 5 | 705211A1 | | 1 SUPPORT |
| 6 | 704703A1 | | 1 HUB |
| 7 | 704713A1 | | 1 BALL |
| 8 | 705070A1 | | 1 CLIP |
| 9 | 704685A1 | | 1 ELBOW |
| 10 | 704571A1 | | 1 BOLT |
| 11 | 710240A1 | ● 714568A1 (1) | 1 BELT |
| 12 | 705217A1 | | 1 SUPPORT |
| 13 | 4220678M1 | | 1 SUPPORT |
| 14 | 704828A1 | | 1 BOLT |
| 15 | 706309A1 | | 1 Bolt |
| 16 | 710627A1 | ● 4216299M1 (1)
4216307M91 (1) | 1 ALTERNATOR |
| 17 | 705162A1 | | 1 STIRRUP |
| 18 | 710625A1 | | 1 BOLT |
| 19 | 706313A1 | | 1 Bolt |
| 20 | 706322A1 | | 1 Nut |
| 21 | 704570A2 | | 1 BOLT |

4 - Electrical System

4 -
065

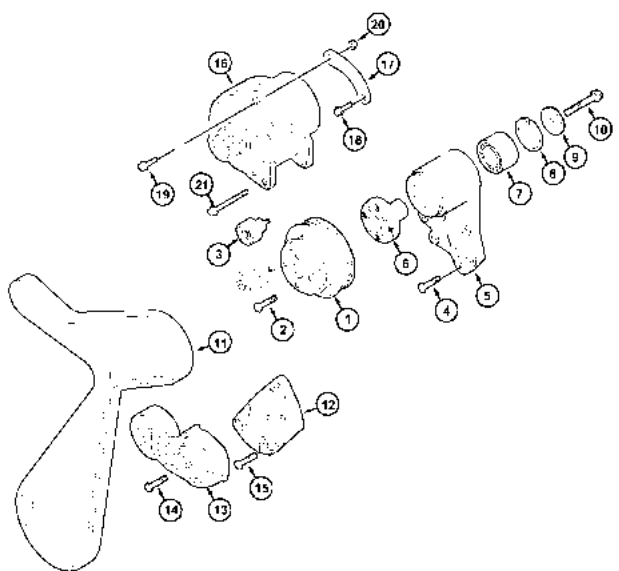
ALTERNATOR AND MOUNTING - XTX185, XTX200

XTX Series XTX185, XTX200, XTX215 (2005-2007)



4065

- M8 x 20
- Includes: 6 - 10
- M10 x 25 mm
- M8 x 30 mm
- 120 amp
- M10 x 70 mm
- WATER PUMP
- M10 x 70 x 1,5 mm
- M10 x 130 mm
- M10 x 35



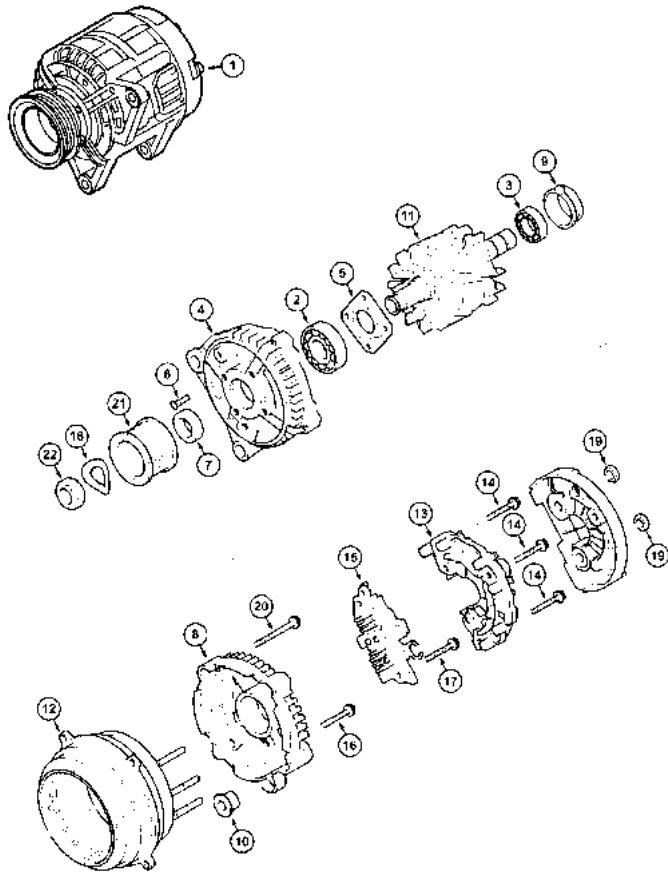
4 - Electrical System

4 -
067

ALTERNATOR - XTX185, XTX200

XTX Series XTX185, XTX200, XTX215 (2005-2007)

4067



1	710627A1	●	4216299M1 (1) 4216307M91 (1)	1	ALTERNATOR
2	712331A1			1	Bearing Assy
3	712332A1			1	Bearing Assy
4	712333A1			1	Support
5	712334A1			1	Plate
6	712335A1	●	712335A2 (4)	4	BOLT
7	712336A1	●	4218690M1 (1)	1	Spacer
8	712337A1			1	Support
9	712338A1	●	4218692M1 (1)	1	RING
10	712339A1			2	Bushing
11	711340A1	●	712340A1 (1)	1	ROTOR
12	712341A1			1	STATOR
13	712342A1			1	RECTIFIER
14	712343A1	●	4218697M1 (3)	3	BOLT
15	712344A1	●	4218698M2 (1)	1	REGULATOR
16	712345A1			1	BOLT
17	712346A1			2	BOLT
18	712347A1	●	4218701M1 (1)	1	Washer
19	712348A1			2	NUT
20	712349A1	●	4218703M1 (4)	4	BOLT

4 - Electrical System

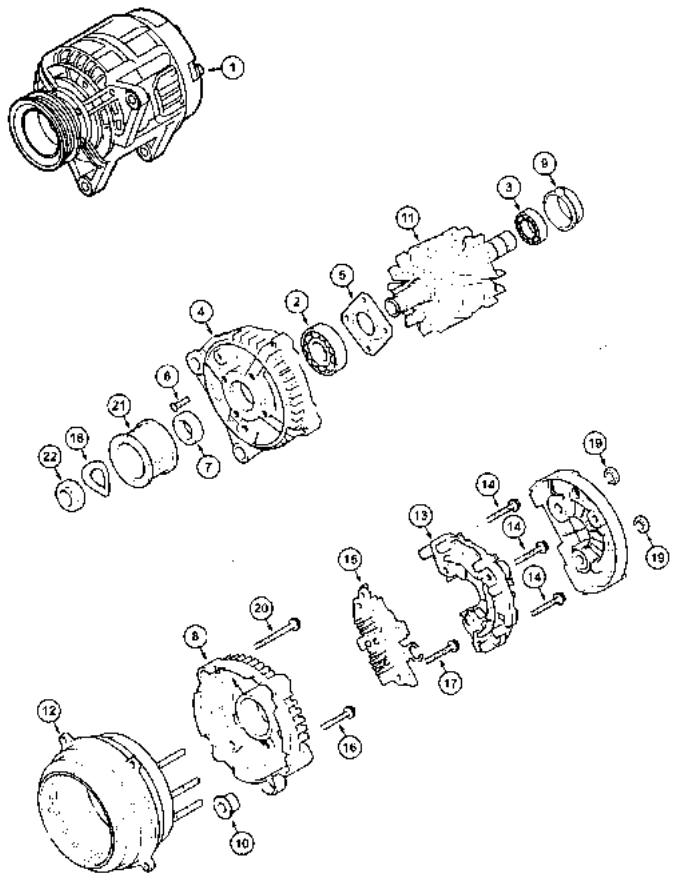
4 -
067

ALTERNATOR - XTX185, XTX200

XTX Series XTX185, XTX200, XTX215 (2005-2007)



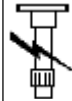
4067



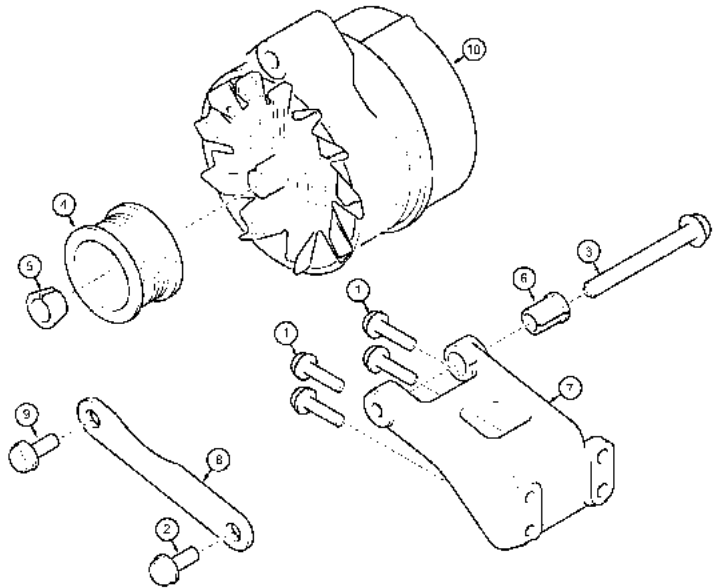
- 21 712350A1 ● 6516605M1 (1) 1 PULLEY
- 22 712330A1 ● 4218645M1 (1) 1 NUT

Includes: 3
 120 amp
 Consists Of: 2 - 22

XTX Series XTX185, XTX200, XTX215 (2005-2007)



4069



- | | | | |
|----|---------|---|------------|
| 1 | TBA | 4 | Screw |
| 2 | TBA | 1 | Screw |
| 3 | TBA | 1 | Screw |
| 4 | TBA | 1 | Pulley |
| 5 | J908563 | 1 | RETAINER |
| 6 | TBA | 1 | Spacer |
| 7 | TBA | 1 | Support |
| 8 | TBA | 1 | Brace |
| 9 | TBA | 1 | Screw |
| 10 | REF | 1 | Alternator |

See Page(s): 4-71

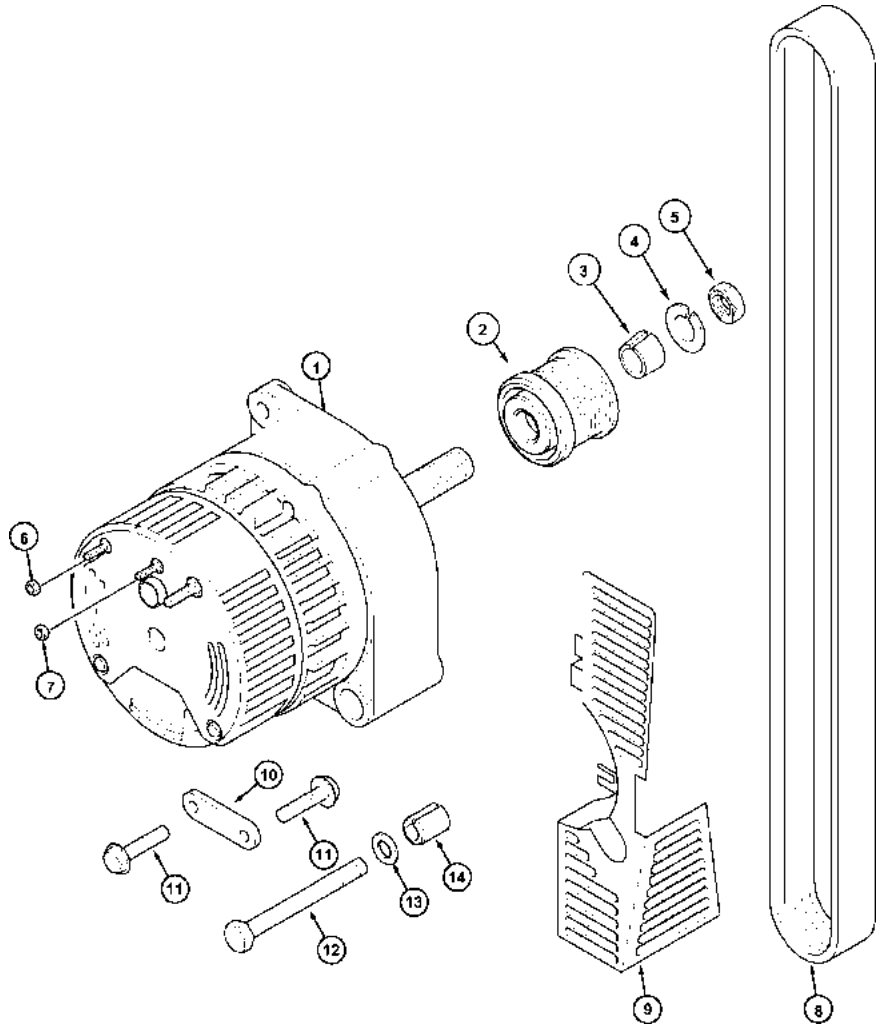
4 - Electrical System

4 -
071

ALTERNATOR - XTX215

XTX Series XTX185, XTX200, XTX215 (2005-2007)

4071



- | | | | |
|----|-----------|----------------------------------|----------------|
| 1 | 701820A1 | ● 338996X1 (2)
6518619M91 (1) | 1 ALTERNATOR |
| 1 | 701821A1 | | 1 ALTERNATOR |
| 2 | J908560 | ● 6513630M1 (1) | 1 PULLEY |
| 3 | J908563 | | 1 RETAINER |
| 4 | TBA | | 1 Washer |
| 5 | 829-11316 | ● 934021R1 (1) | 1 Nut |
| 6 | 829-1405 | | 1 Nut |
| 7 | 829-1408 | | 1 NUT |
| 8 | 702078A1 | | 1 BELT |
| 9 | 702538A1 | | 1 Guard |
| 10 | 701749A1 | | 1 Brace |
| 11 | 844-8025 | ● 2314H004 (2) | 2 BOLT |
| 12 | 814-10110 | | 1 BOLT |
| 13 | 892-11010 | | 1 Washer, Lock |
| 14 | J902469 | | 1 DRIVING |

M8 x 25; 8,8

M10

M8; 10

M10 x 110; 8,8

M16;10

M5; 10

95A

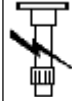
120A

4 - Electrical System

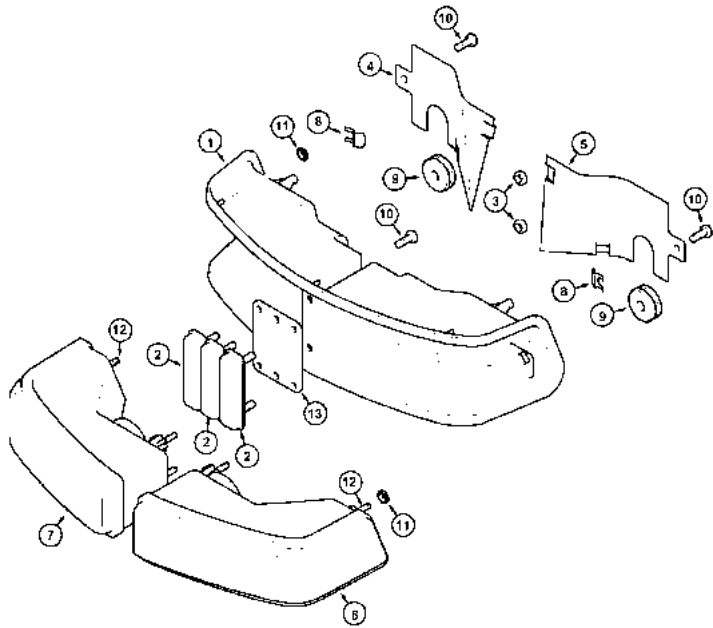
4 -
073

HEADLIGHTS - Europe Only

XTX Series XTX185, XTX200, XTX215 (2005-2007)

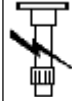


4073

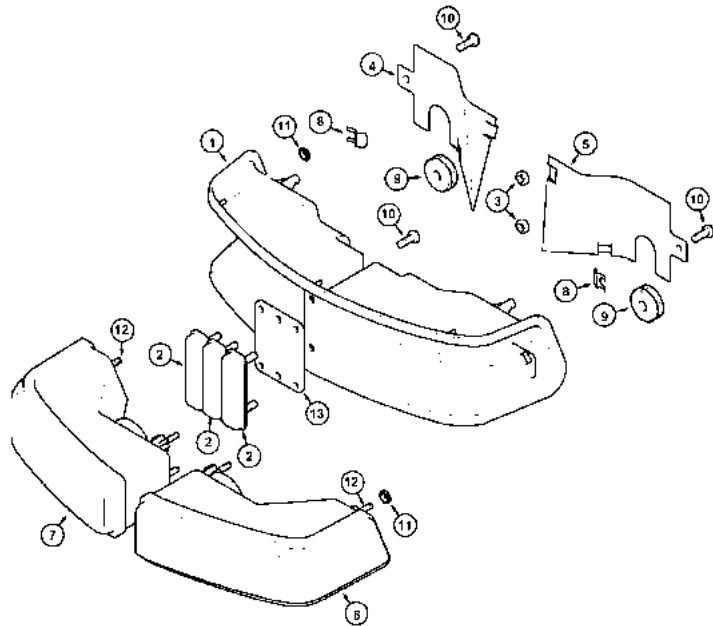


- | | | | | |
|---|----------|----------------|---|-----------|
| 1 | 700132A3 | | 1 | CRANKCASE |
| 2 | 310962A1 | | 3 | BAND |
| 3 | 131-431 | ● 86625060 (6) | 6 | NUT |
| 4 | 303583A1 | | 1 | MUFF |
| 5 | 303585A1 | | 1 | MUFF |
| 6 | 232449A2 | | 1 | LAMP |
| 6 | 232451A2 | | 1 | LAMP |
| 7 | 232448A2 | | 1 | LAMP |
| 7 | 232450A2 | | 1 | LAMP |

XTX Series XTX185, XTX200, XTX215 (2005-2007)



4073



- 8 408088A1
- 9 284238A1
- 10 779-14619
- 11 1536080C1 ● 86625060 (6)
- 12 780-34619
- 13 701906A2

- 6 CLAMP
- 2 WALKWAY
- 2 SCREW
- 6 CLIP
- 6 SCREW
- 1 Spacer

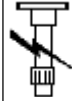
Left
Right
If So Equipped
1/4
Left Traffic
Right Traffic
For UK
With Worklight
6.3 x 19 mm

4 - Electrical System

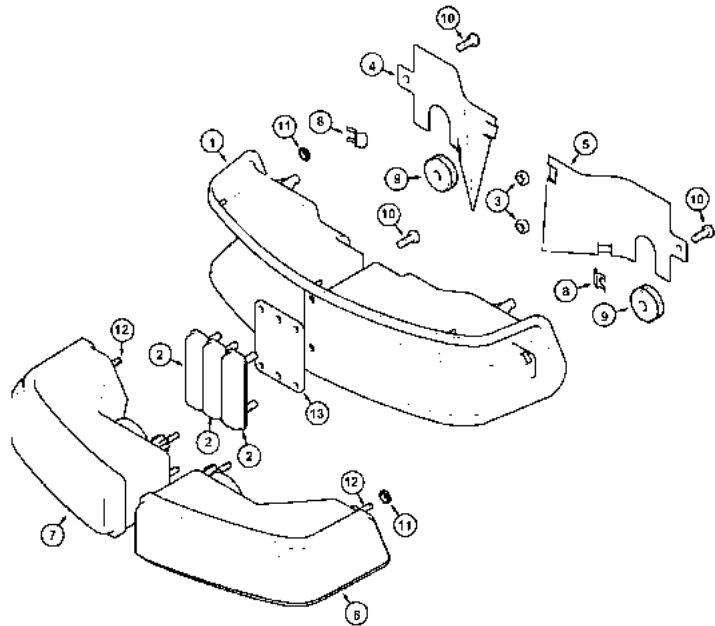
4 -
075

HEADLIGHTS - N.A. Only

XTX Series XTX185, XTX200, XTX215 (2005-2007)



4075



- | | | | | |
|----|-----------|----------------|---|-----------|
| 1 | 700131A3 | | 1 | CRANKCASE |
| 2 | 310962A1 | | 3 | BAND |
| 3 | 131-431 | ● 86625060 (6) | 6 | NUT |
| 4 | 303583A1 | | 1 | MUFF |
| 5 | 303585A1 | | 1 | MUFF |
| 6 | 232453A2 | | 1 | LAMP |
| | | | | |
| 7 | 232452A2 | | 1 | LAMP |
| | | | | |
| 8 | 408088A1 | | 6 | CLAMP |
| 9 | 284238A1 | | 2 | WALKWAY |
| 10 | 779-14619 | | 2 | SCREW |
| 11 | 1536080C1 | ● 86625060 (6) | 6 | CLIP |
| 12 | 780-34619 | | 6 | SCREW |
| 13 | 701906A2 | | 1 | Spacer |

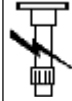
Left
Right
If So Equipped
1/4
Right Traffic
With Worklight
6.3 x 19 mm

4 - Electrical System

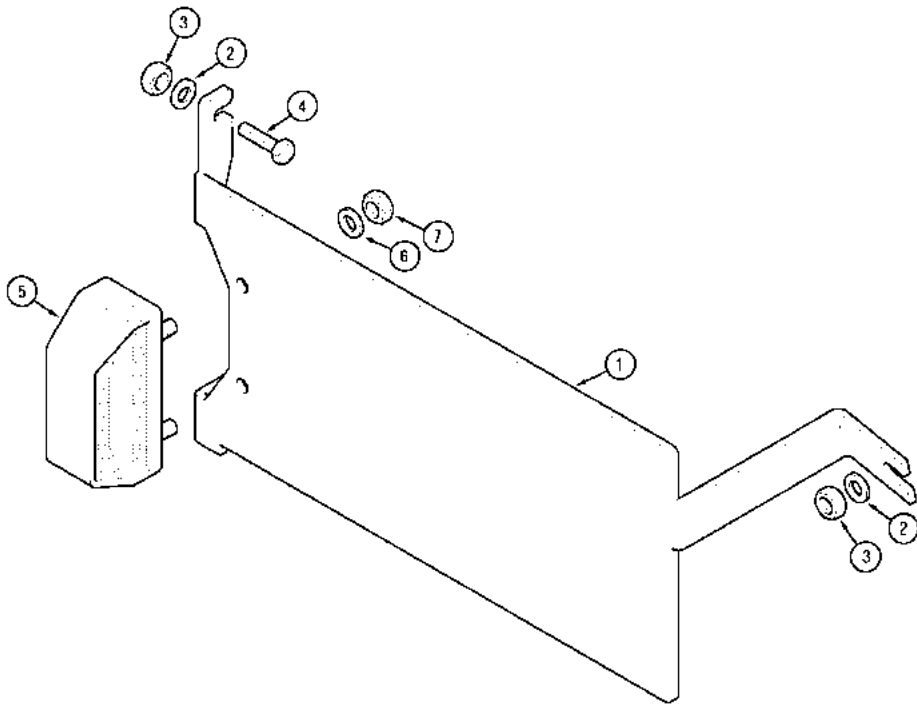
4 -
077

REGISTRATION NUMBER PLATE AND LIGHT - Europe Only

XTX Series XTX185, XTX200, XTX215 (2005-2007)



4077



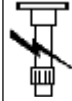
- | | | | |
|---|-----------|---|--------------|
| 1 | 705900A1 | 1 | Bracket Assy |
| 1 | 708302A1 | 1 | Bracket Assy |
| 2 | 895-15008 | 3 | WASHER |
| 2 | 895-15008 | 2 | WASHER |
| 3 | 832-10408 | 3 | NUT FNS |
| 3 | 832-10408 | 2 | NUT FNS |
| 4 | 614-8025 | 2 | SCREW |
| 5 | 92190C1 | 1 | LIGHT |
| 6 | 892-11005 | 2 | WASHER |
| 7 | 824-1405 | 2 | NUT |
| 8 | 205-112 | 2 | PLUG |

4 - Electrical System

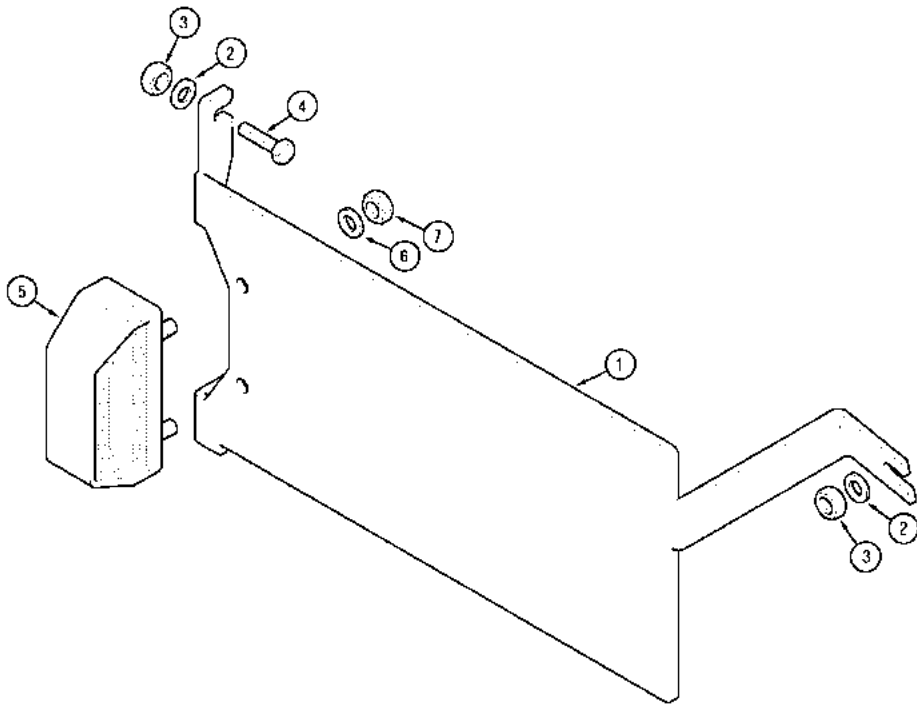
4 -
077

REGISTRATION NUMBER PLATE AND LIGHT - Europe Only

XTX Series XTX185, XTX200, XTX215 (2005-2007)



4077



M8; 8

M8 x 25; 8,8

M5

If So Equipped

9 x 20 x 1,6 mm

Illustrated

M5; 5

With Cab Suspension

Use With: 705900A1

A

NOT ILLUSTRATED

D

STANDARD

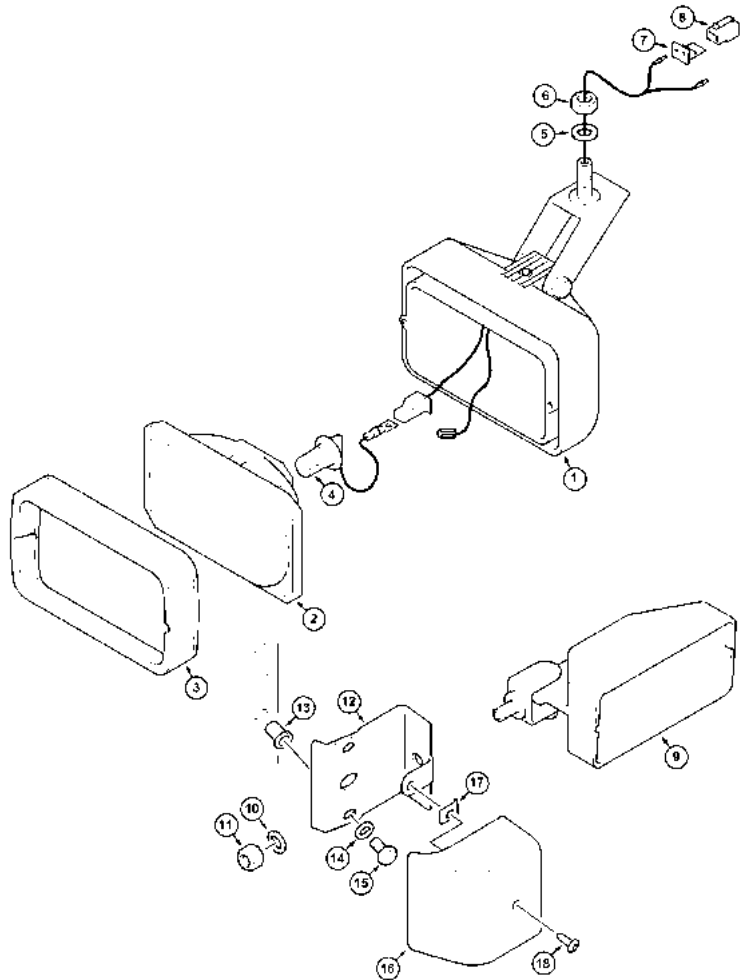
4 - Electrical System

4 -
079

WORK LIGHTS

XTX Series XTX185, XTX200, XTX215 (2005-2007)

4079



- | | | | | |
|----|-----------|-----------------|---|------------|
| 1 | 396756A1 | | 2 | PROFILE |
| 2 | 276498A1 | ● 396756A1 (1) | 1 | LENS |
| 3 | 1964806C1 | | 1 | BEZEL |
| 4 | 1312210C2 | | 1 | LIGHT |
| 5 | 896-11012 | ● 3667437M1 (1) | 1 | WASHER |
| 6 | 832-10412 | | 1 | NUT FNS |
| 7 | 222848A1 | | 1 | SPRAG |
| 8 | 222136A1 | | 1 | COMPLIANCE |
| 9 | 275333A1 | | 1 | LIGHT |
| 9 | 275334A1 | | 1 | LIGHT |
| 10 | 895-11010 | | 2 | WASHER |
| 11 | 832-10410 | | 2 | NUT FNS |
| 12 | 222247A1 | | 2 | PLATE |
| 13 | P35448 | ● F35448 (4) | 4 | INSERT |

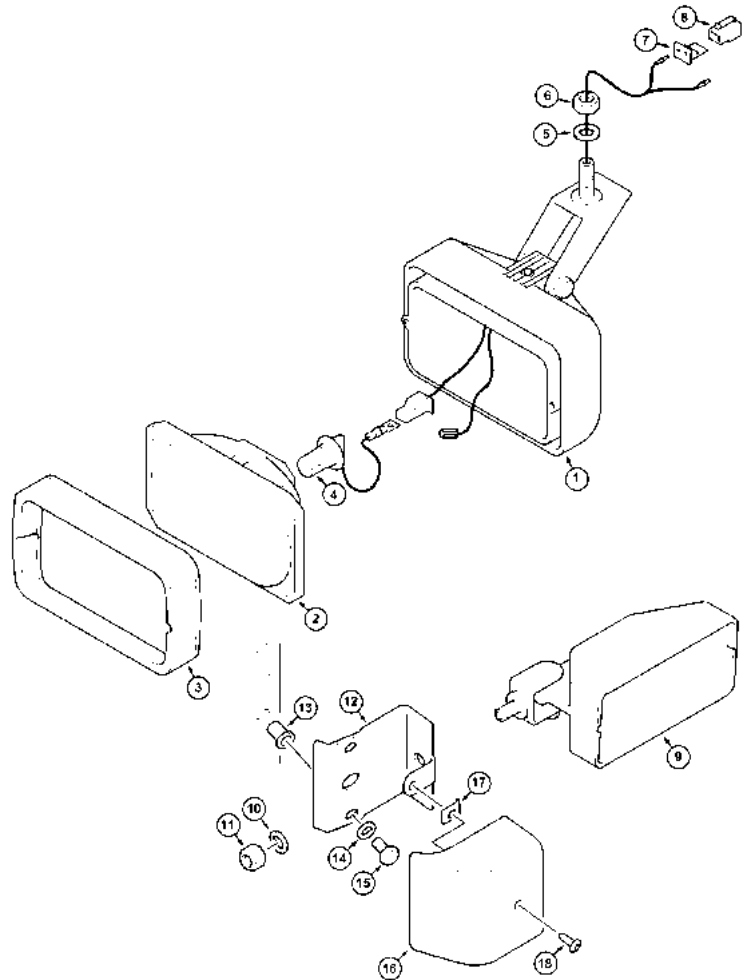
4 - Electrical System

4 -
079

WORK LIGHTS

XTX Series XTX185, XTX200, XTX215 (2005-2007)

4079



- 14 256402A1
- 15 614-8020
- 16 222248A2
- 17 131-892
- 18 260-16512

- 4 LOCK WASHER
- 4 SCREW
- 2 MUFF
- 2 NUT
- 2 SCREW

9 x 17 x 1,6 mm

Left

Right

M8 x 20; 8,8

M12; 8

M10; 8

M8

11 x 21 x 2 mm

N.A. Only

12V, 55W

13.5 mm

Includes: 2 - 4

Fender

No. 10 x 3/4

NOT ILLUSTRATED

A

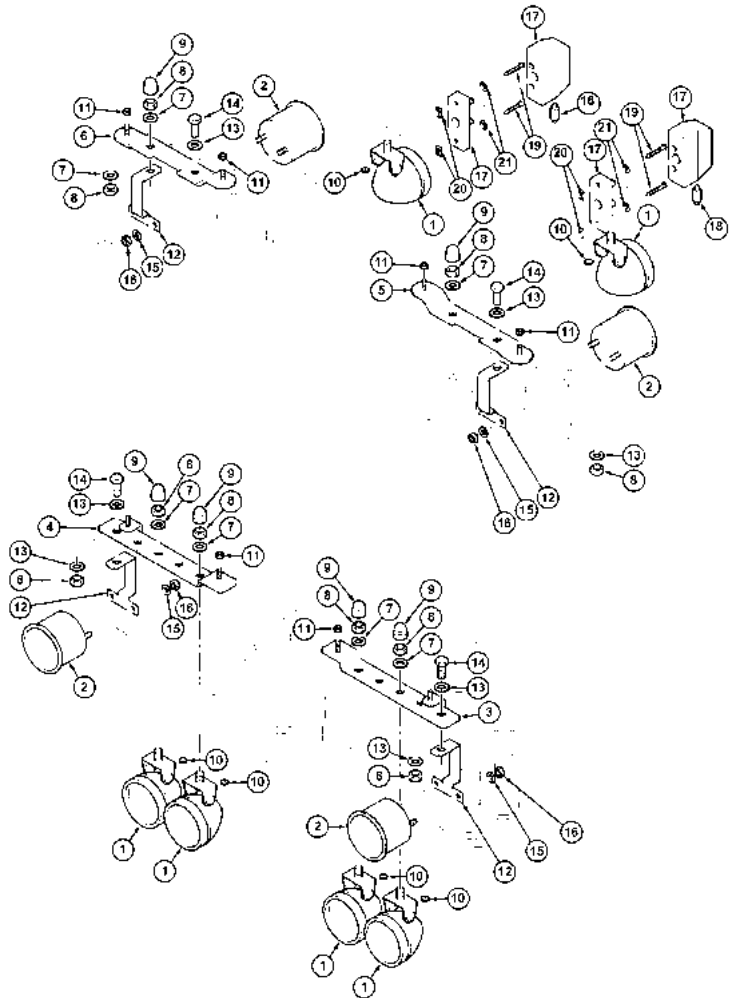
4 - Electrical System

4 -
081

WORK LIGHTS - CAB ROOF

XTX Series XTX185, XTX200, XTX215 (2005-2007)

4081



- | | | | | |
|----|-----------|-----------------|---|--------------|
| 1 | 708995A1 | | 6 | LIGHT |
| 2 | 706198A1 | | 4 | Lamp Assy |
| 3 | 710380A3 | | 1 | Bracket Assy |
| 4 | 710379A3 | | 1 | Bracket Assy |
| 5 | 710381A2 | | 1 | SUPPORT |
| 6 | 710382A2 | | 1 | Bracket Assy |
| 7 | 892-11010 | | 6 | Washer, Lock |
| 8 | 829-1410 | | 6 | NUT |
| 9 | 3221520R1 | ● 3543102M1 (6) | 6 | CAP |
| 10 | 96901C1 | | 6 | WALKWAY |
| 11 | 832-10408 | | 8 | NUT FNS |
| 12 | 702725A1 | | 4 | Bracket |
| 13 | 895-11010 | | 8 | WASHER |
| 14 | 614-10020 | | 4 | BOLT |
| 15 | 895-11006 | ● 390971X1 (8) | 8 | WASHER |
| 16 | 829-1406 | | 8 | NUT |
| 17 | 248700A1 | | 2 | LIGHT |

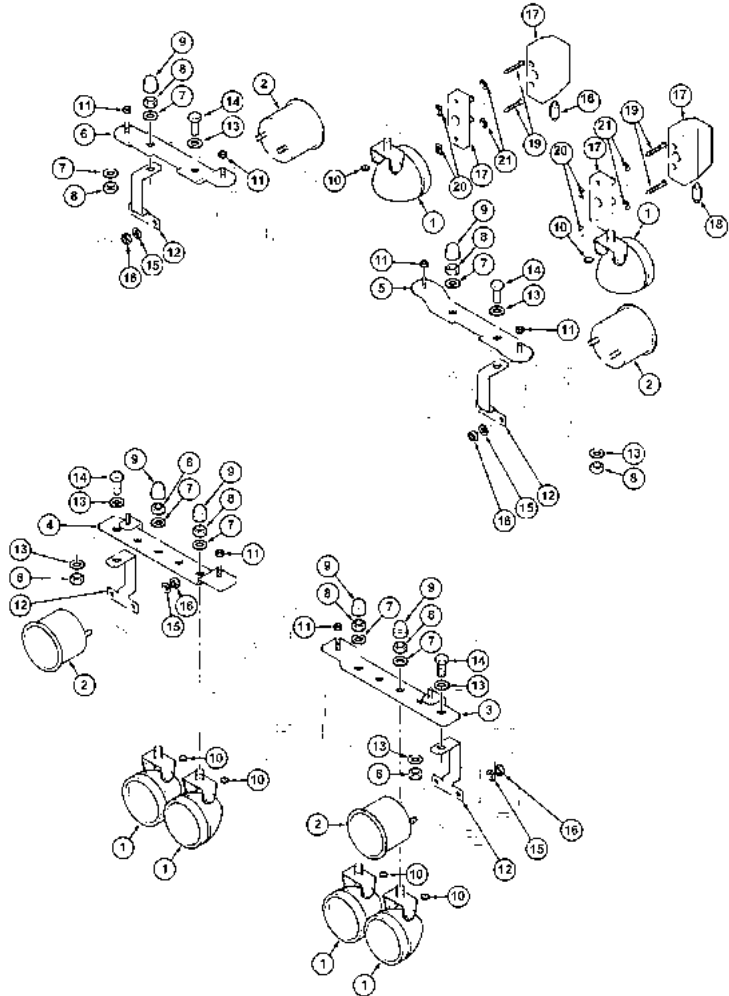
4 - Electrical System

4 -
081

WORK LIGHTS - CAB ROOF

XTX Series XTX185, XTX200, XTX215 (2005-2007)

4081



- 18 E35556
- 19 260-14524
- 20 228004A1
- 21 895-11005

- 1 LIGHT
- 4 Screw
- 4 NUT
- 4 WASHER

6,6 x 12 x 1,6 mm

M8; 8

M10 x 20; 8,8

M10

Includes: 18

11 x 21 x 2 mm

5,5 x 10 x 1 mm

N.A. Only

Indicator

M6; 10

M10; 10

Left Front

Right Rear

12V, 10w

No. 10 x 1,5

Left - Rear

Right Front

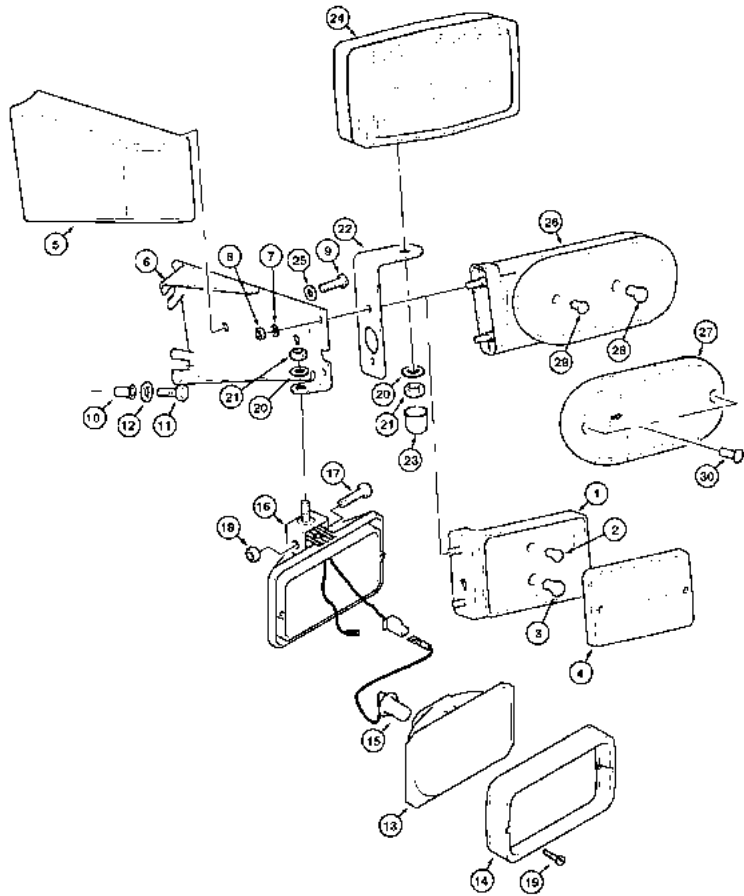
4 - Electrical System

4 -
083

LAMPS - FLASH AND POSITION - Not For N.A.

XTX Series XTX185, XTX200, XTX215 (2005-2007)

4083



1	224621A2		1	LIGHT
1	224622A2		1	LIGHT
2	1094368R1	● 71421 (1)	1	Bulb
3	3131227R1	● 1094366R1 (1)	1	Bulb
4	224728A1	● A187631 (1)	1	GLASS
5	238908A2		1	MUFF
5	238910A1		1	MUFF
6	238907A3		1	STRAP
6	238909A4	● 3687946M92 (1)	1	Bracket
7	892-11005		4	WASHER
8	824-1405		4	NUT
9	294-1658		4	SCREW

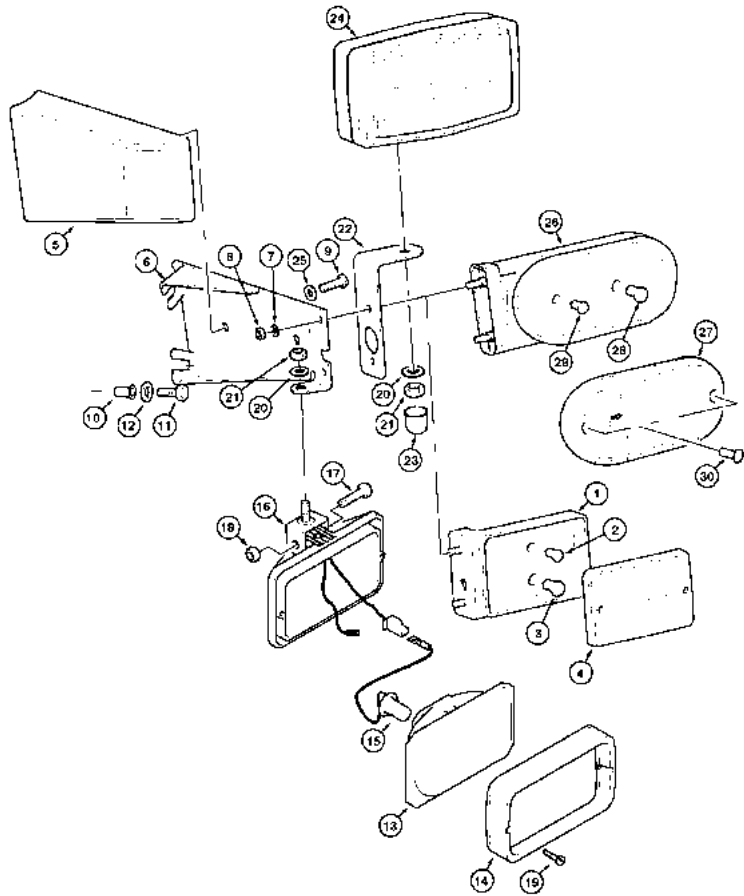
4 - Electrical System

4 -
083

LAMPS - FLASH AND POSITION - Not For N.A.

XTX Series XTX185, XTX200, XTX215 (2005-2007)

4083



- | | | |
|--------------|----------------|-----------|
| 10 P35448 | ● F35448 (4) | 4 INSERT |
| 11 614-8020 | | 4 SCREW |
| 12 895-11008 | | 4 WASHER |
| 13 221936A2 | | 2 LIGHT |
| 13 276498A1 | ● 396756A1 (1) | 1 LENS |
| 14 1964806C1 | | 1 BEZEL |
| 15 1312210C2 | | 1 LIGHT |
| 16 A187915 | | 1 STIRRUP |
| 17 814-8045 | | 1 BOLT |
| 18 832-41308 | | 1 NUT |
| 19 260-54312 | | 2 SCREW |

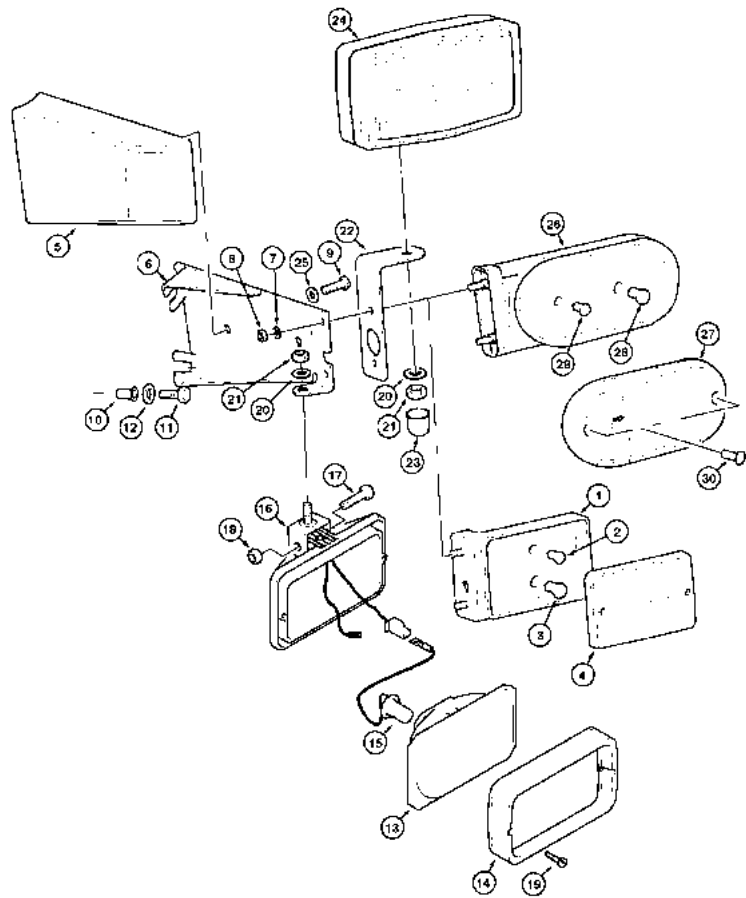
4 - Electrical System

4 -
083

LAMPS - FLASH AND POSITION - Not For N.A.

XTX Series XTX185, XTX200, XTX215 (2005-2007)

4083



9 x 17 x 1,6 mm

Left

Right

M8 x 20; 8,8

M5

M8

No. 6 x 3/4

12V, 55W

12V, 21w

Includes: 2 - 4

M5; 5

M8 x 45; 8,8

12V/5W

10-16 x 1/2 in

Consists Of: 276498A1,14 - 19

JAPAN ONLY

CONTINUED

B

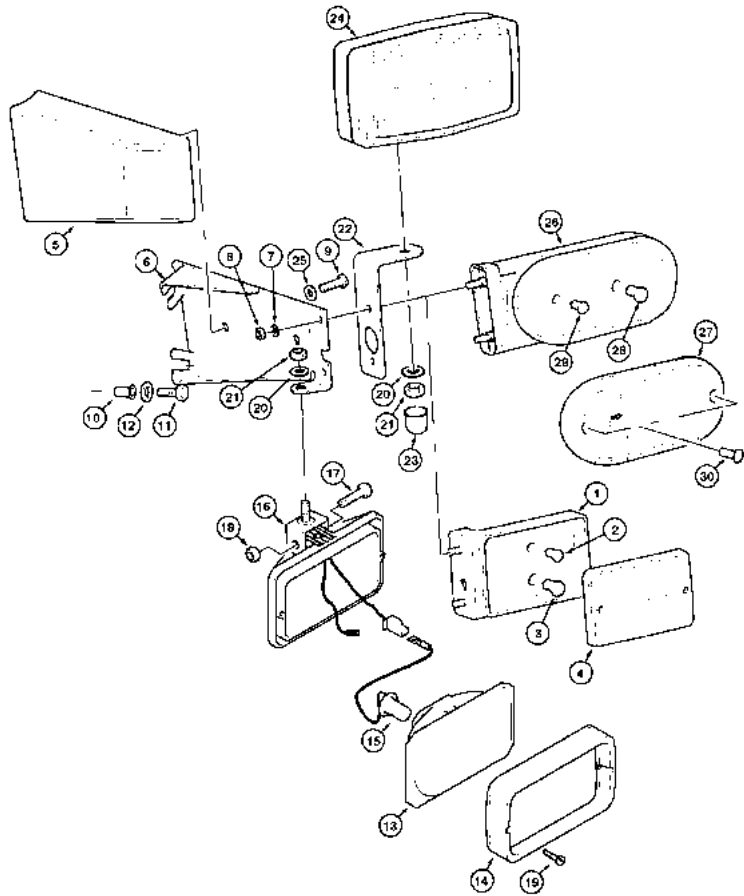
4 - Electrical System

4 -
085

LAMPS - FLASH AND POSITION - Not For N.A.

XTX Series XTX185, XTX200, XTX215 (2005-2007)

4085



20	895-11010	2	WASHER
21	832-10410	2	NUT FNS
22	224645A1	2	STRAP
23	3221520R1	2	CAP
24	248914A1	1	LIGHT
	● 3543102M1 (2)		
24	248915A1	1	LIGHT
25	495-31020	4	LOCK WASHER
26	445854A1	1	Lamp Assy
26	445855A1	1	Lamp Assy
27	701513A1	1	Lens
28	701510A1	1	BULB
29	701511A1	1	BULB

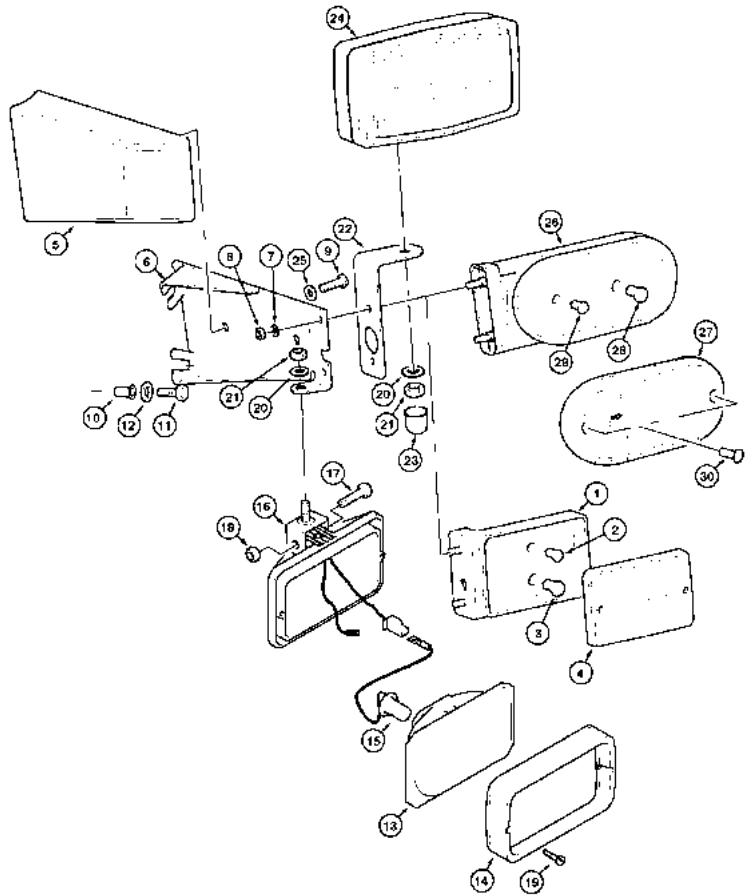
4 - Electrical System

4 -
085

LAMPS - FLASH AND POSITION - Not For N.A.

XTX Series XTX185, XTX200, XTX215 (2005-2007)

4085



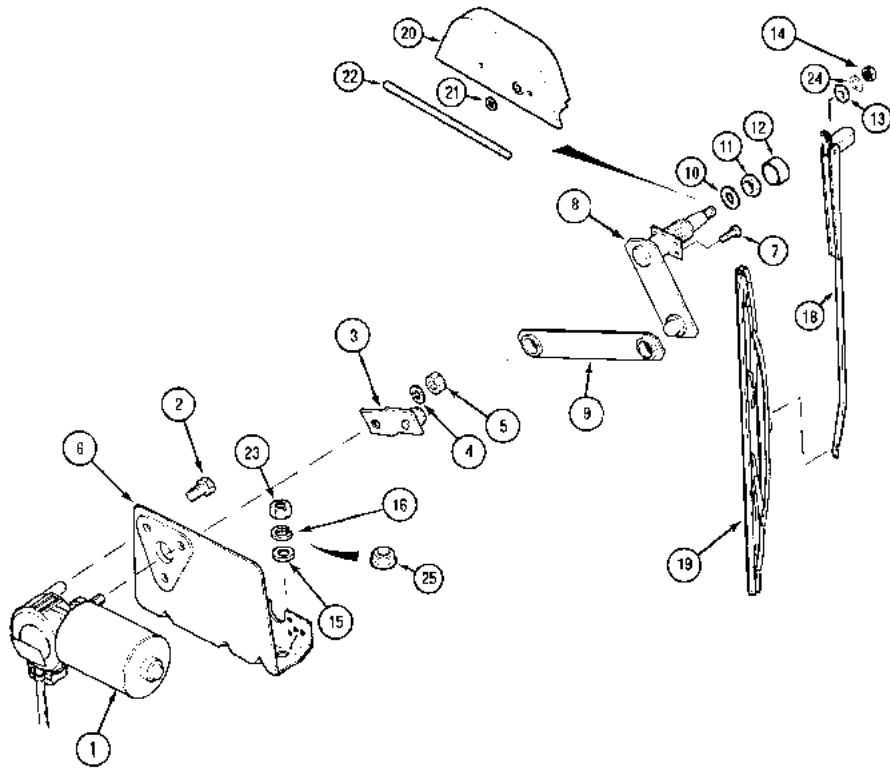
30 TBA

2 Screw

Left
Right
M10; 8
11 x 21 x 2 mm
12V
Headlight
With Front Hitch
13/64 x 15/32 x 3/64
Left Traffic
Right Traffic
Includes: 27 - 30

XTX Series XTX185, XTX200, XTX215 (2005-2007)

4087



- | | | | | |
|----|-----------|--------------------|---|------------------|
| 1 | 367428A1 | | 1 | STARTERMOTO
R |
| 1 | A186256 | | 1 | ENGINE |
| 2 | N8362 | | 3 | SCREW |
| 3 | N8360 | ● N.L.A. (1) | 1 | PLATE |
| 4 | N14111 | | 1 | Washer |
| 5 | 825-1408 | | 1 | NUT |
| 6 | N8359 | ● 367428A1 (1) | 1 | STIRRUP |
| 7 | N8356 | | 4 | Screw |
| 8 | N14112 | ● 84399154 (1) | 1 | SHAFT |
| 9 | N8358 | | 1 | PLATE |
| 10 | L112088 | | 1 | Washer |
| 11 | L112087 | ● 87408553 (1) | 1 | NUT |
| 12 | 111109A1 | | 1 | Cap |
| 12 | L112081 | ● 87408553 (1) | 1 | CAP |
| 13 | L112089 | ● N.L.A. (1) | 1 | LOCK WASHER |
| 14 | 825-1408 | | 1 | NUT |
| 15 | 895-18010 | ● 003555011250 (2) | 2 | WASHER |
| 16 | 892-11010 | | 2 | Washer, Lock |
| 18 | 236195A1 | | 1 | ARM |

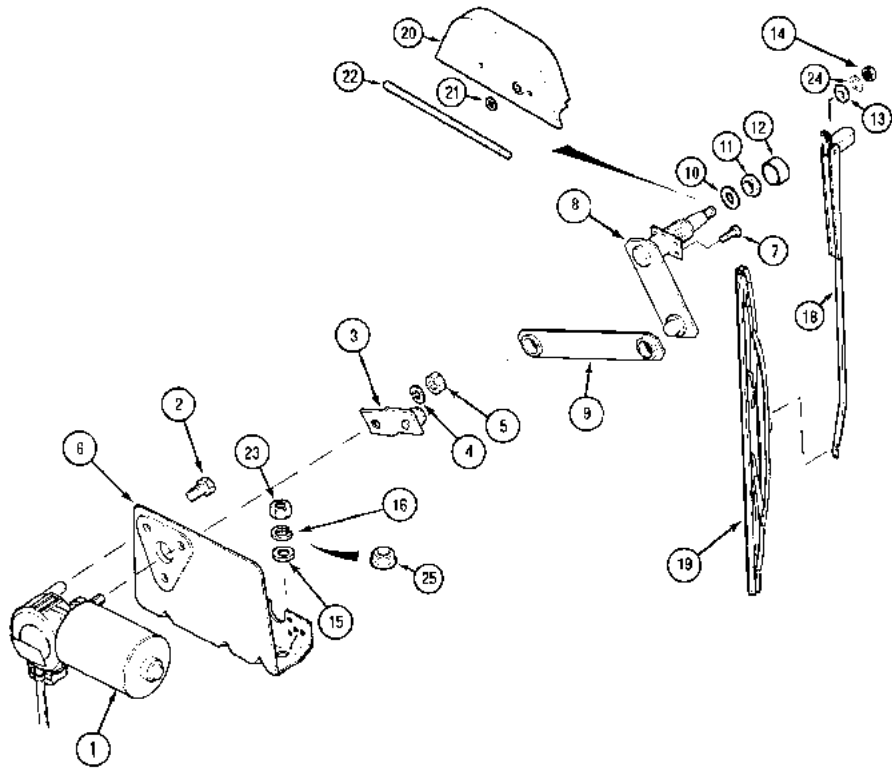
4 - Electrical System

4 -
087

WINDSCREEN WIPER - FRONT

XTX Series XTX185, XTX200, XTX215 (2005-2007)

4087



- | | | | | |
|----|-----------|-----------------|---|--------|
| 18 | 367429A1 | | 1 | ARM |
| 19 | 367430A1 | ● 414426A1 (1) | 1 | WIPER |
| 19 | 414426A1 | | 1 | BRUSH |
| 20 | 229603A2 | | 1 | PANEL |
| 21 | 229601A1 | | 1 | RING |
| 22 | 229600A1 | | 1 | RING |
| 23 | 829-1410 | | 2 | NUT |
| 24 | 893-11008 | | 1 | WASHER |
| 25 | 825-2410 | ● 1441932X1 (2) | 2 | NUT |

M8; 8

M10

M8

Includes: 21,22

11 x 18 x 1,6 mm

M10; 10

BOSCH

Doga

280 mm

Replaces: 15,16,23

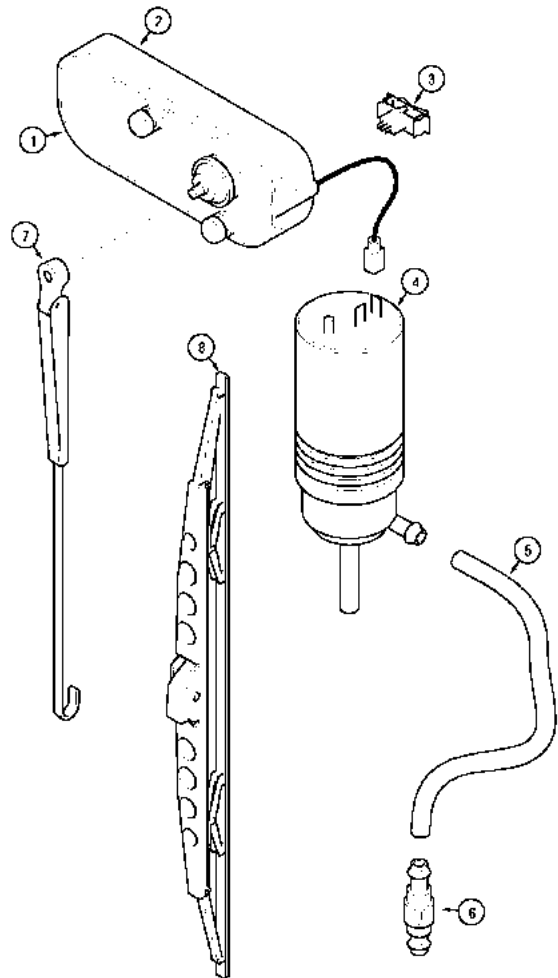
4 - Electrical System

4 -
089

WINDSCREEN WIPER - REAR - Europe Only

XTX Series XTX185, XTX200, XTX215 (2005-2007)

4089



- | | | | | |
|-----|-----------|-----------------|---|------------|
| 1 | 701083A1 | | 1 | ENGINE |
| 2 | 193914A1 | | 1 | Cover |
| 3 | 193865A1 | | 1 | SWITCH |
| 4 | 1964696C2 | ● E47238 (1) | 1 | WINDSCREEN |
| 5 | 233105A1 | ● 6502326M1 (1) | 1 | PIPE |
| 6 | K307050 | | 1 | NON RETURN |
| 7 | 186222A1 | | 1 | ARM |
| 8 | 108436A2 | | 1 | WIPER |
| 200 | 1968141C1 | | 1 | Tube |

Includes: 2,3

305 mm

Doga

Doga, 320 mm

250 mm

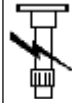
Cut From: 1968141CX

4 - Electrical System

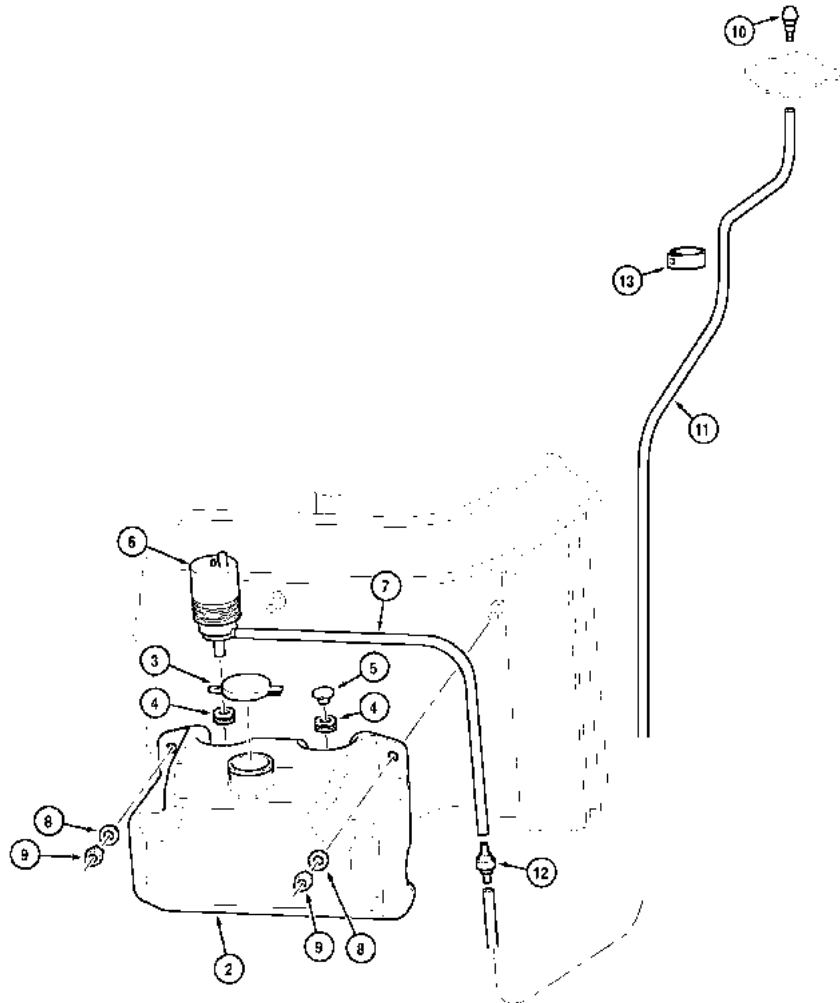
4 -
091

WINDSCREEN WASHER

XTX Series XTX185, XTX200, XTX215 (2005-2007)



4091

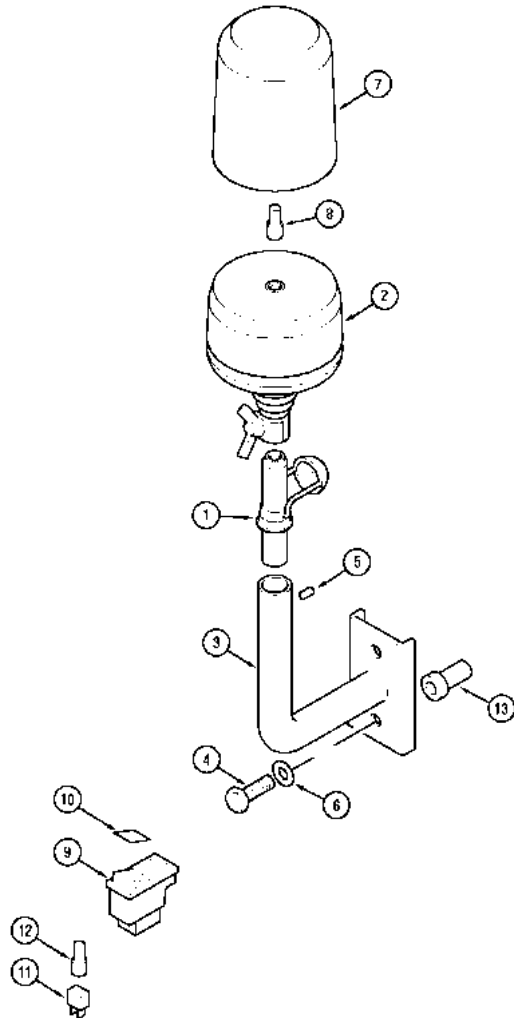


- | | | | | |
|----|------------|-----------------|---|------------|
| 2 | 414811A1 | | 1 | HEAD REST |
| 3 | 196829A1 | | 1 | MUFF |
| 4 | 196830A1 | | 2 | WALKWAY |
| 5 | 196831A1 | | 1 | PLUG |
| 6 | 1964696C2 | ● E47238 (1) | 1 | WINDSCREEN |
| 7 | 233105A1 | ● 6502326M1 (1) | 1 | PIPE |
| 8 | 895-15008 | | 2 | WASHER |
| 9 | 832-10408 | | 2 | NUT FNS |
| 10 | 3129899R93 | | 1 | JET |
| 11 | 197162A1 | | 1 | HOSE |
| 12 | K307050 | | 1 | NON RETURN |
| 13 | 1990594C1 | | 1 | CLIP |

M8; 8
9 x 20 x 1,6 mm
250 mm
Cut From: 1 x 1968141CX
4200 mm
Cut From: 14 x 1968141CX

XTX Series XTX185, XTX200, XTX215 (2005-2007)

4093



- | | | | | |
|----|-----------|---------------------------------|---|------------|
| 1 | 244106A1 | | 1 | SUPPORT |
| 2 | 712061A1 | | 1 | Lamp Assy |
| 3 | 189867A1 | ● 189867A2 (1) | 1 | STRAP |
| 4 | 614-8025 | | 2 | SCREW |
| 5 | 877-1066 | | 1 | SCREW |
| 6 | 895-11008 | | 2 | WASHER |
| 7 | 712062A1 | ● 712061A1 (1) | 1 | LENS |
| 8 | 3125705R1 | ● 86616248 (1) | 1 | LIGHT |
| 9 | 194112A1 | ● 245909C1 (1)
1983276C1 (1) | 1 | OUTLET |
| 10 | 1983276C1 | | 1 | JACKET/TRO |
| 11 | 134608A1 | | 1 | INSERT |
| 12 | 3141107R1 | | 1 | LAMP |
| 13 | P35448 | ● F35448 (2) | 2 | INSERT |

9 x 17 x 1,6 mm

M8 x 25; 8,8

Includes: 12

M8

12V, 1,2 w

Includes: 7,8

Includes: 10 - 12

6 x 6 mm

12V/55W

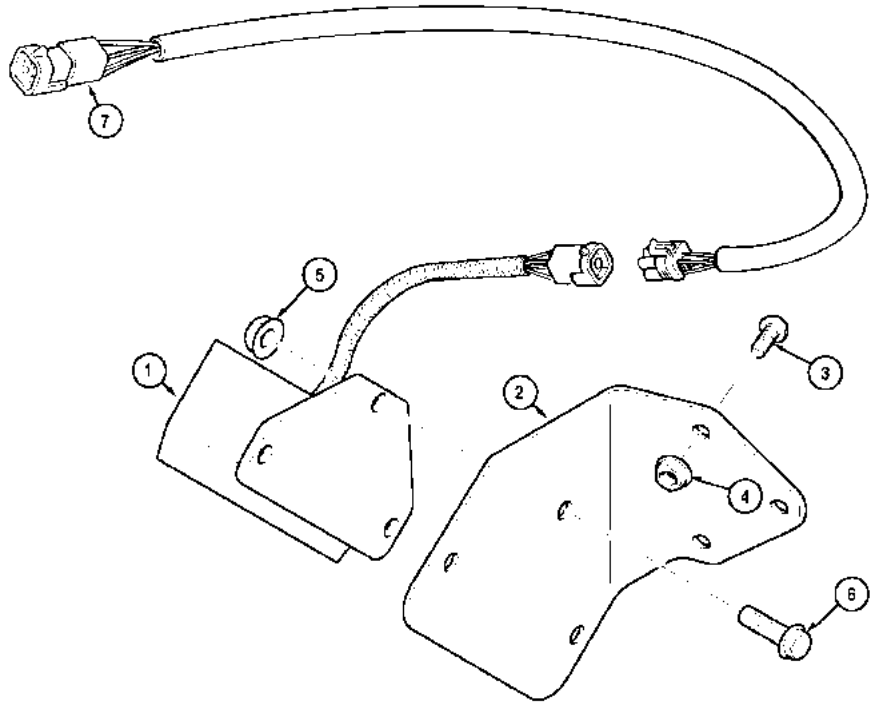
4 - Electrical System

4 -
095

GROUND SPEED SENSOR

XTX Series XTX185, XTX200, XTX215 (2005-2007)

4095



- | | | | | |
|---|-----------|-------------------------------|---|-------------|
| 1 | 318268A1 | | 1 | KIT |
| 1 | 318269A1 | | 1 | KIT |
| 2 | NSS | | 1 | Bracket |
| 3 | 811-8020 | | 3 | BOLT |
| 4 | 825-5148 | | 3 | NUT |
| 5 | 829-2410 | | 4 | NUT |
| 6 | 844-10025 | | 4 | BOLT |
| 7 | 122497A1 | | 1 | HARNESS |
| 8 | 194216A1 | ● 194235A1 (1)
91956C1 (1) | 1 | FINAL DRIVE |
| 9 | 249807A1 | | 1 | DECAL |

M8; 8
M10 x 25; 8,8
M10; 10
Includes: 2 - 8
Not For UK
For UK
8 x 20 mm; 8,8
Ground Speed
See Page(s): 9-195
NOT ILLUSTRATED

A

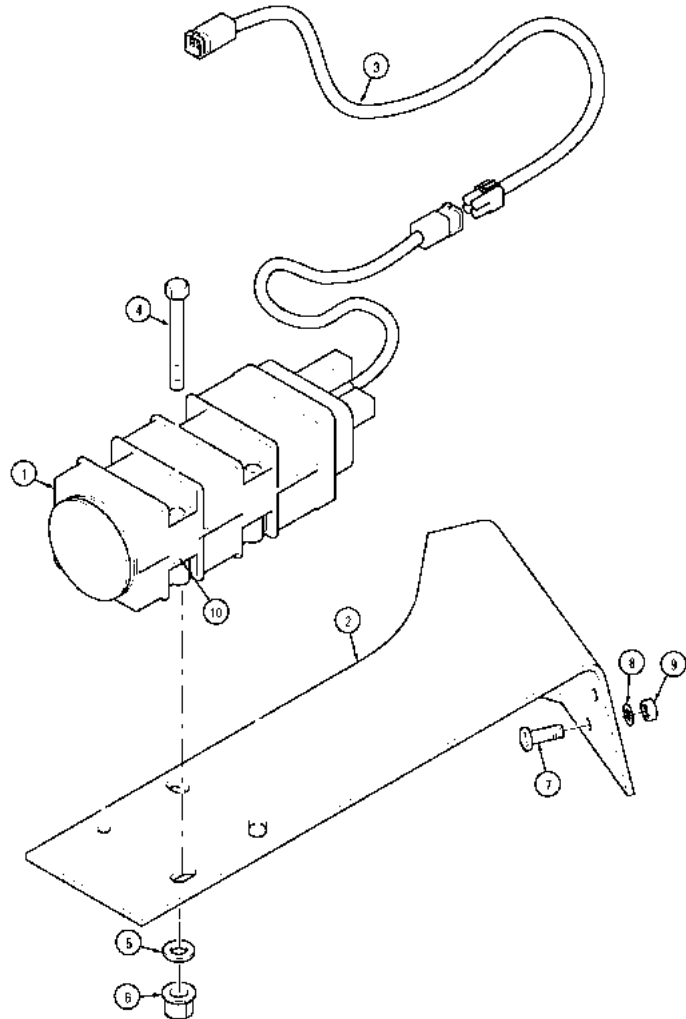
4 - Electrical System

4 -
097

GROUND SPEED SENSOR - Dickey-John

XTX Series XTX185, XTX200, XTX215 (2005-2007)

4097



- | | | | | | |
|----|-----------|---|--|---|--------------|
| 1 | 228759A2 | ● | 4216074M91 (1)
4220381M91 (1)
6502035M92 (1) | 1 | RESTRICTOR |
| 1 | 228760A2 | ● | 4216074M91 (1)
4220382M91 (1)
6502035M92 (1) | 1 | RESTRICTOR |
| 2 | 450487A1 | | | 1 | SUPPORT |
| 2 | 450488A1 | | | 1 | CHAIN STRAND |
| 3 | 122497A1 | | | 1 | HARNESS |
| 4 | 814-6100 | ● | 3019894X1 (4) | 4 | BOLT |
| 5 | 895-11006 | ● | 390971X1 (4) | 4 | WASHER |
| 6 | 825-5146 | ● | 1441500X1 (4) | 4 | NUT |
| 7 | 614-8022 | | | 3 | BOLT |
| 8 | 895-11008 | | | 3 | WASHER |
| 9 | 825-1408 | | | 3 | NUT |
| 10 | 249807A1 | | | 1 | DECAL |

4 - Electrical System

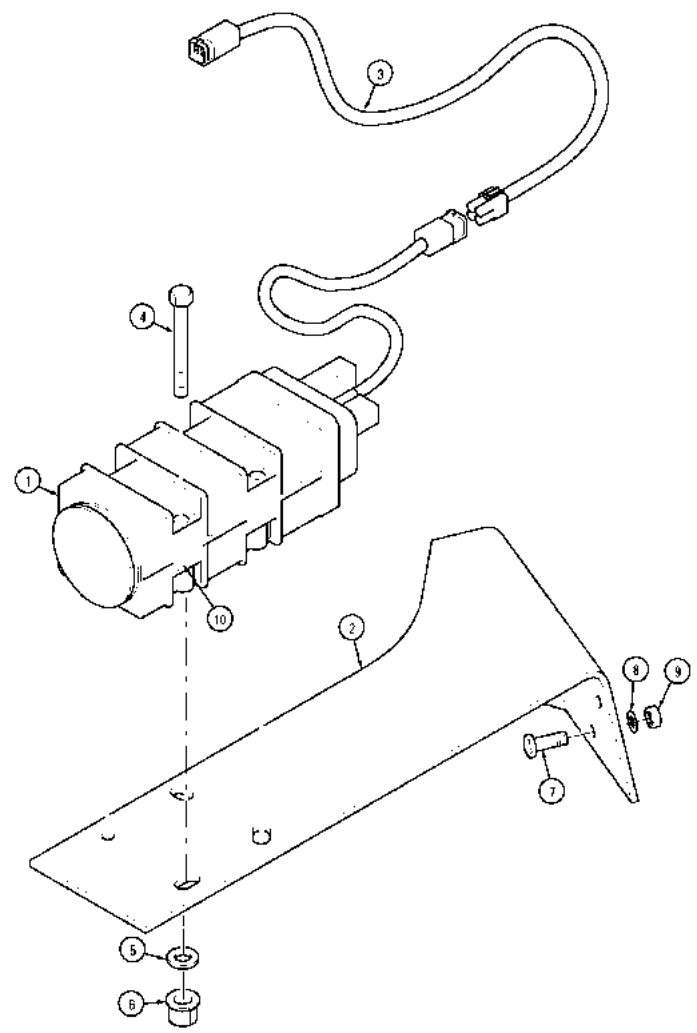
4 -
097

GROUND SPEED SENSOR - Dickey-John

XTX Series XTX185, XTX200, XTX215 (2005-2007)



4097



- 6,6 x 12 x 1,6 mm
- M8; 8
- 9 x 17 x 1,6 mm
- M6
- M8 x 22; 8,8
- Illustrated
- Not For UK
- For UK
- M6 x 100; 8,8
- With Air Brake
- Without Air Brake
- See Page(s): 9-195

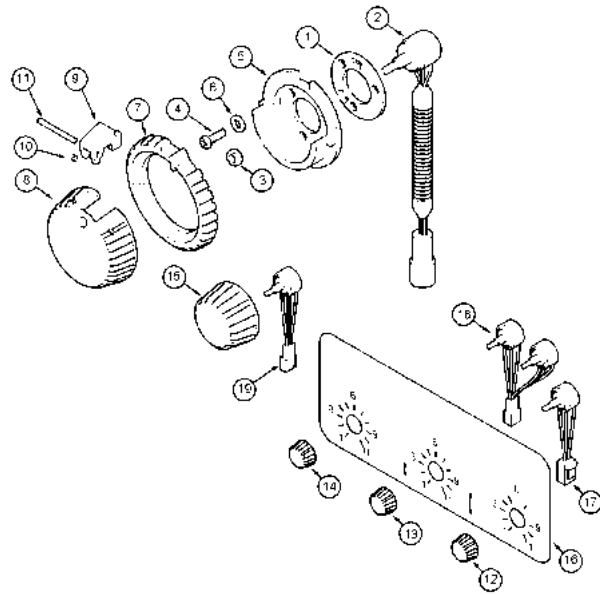
4 - Electrical System

4 -
099

HITCH - CONTROL

XTX Series XTX185, XTX200, XTX215 (2005-2007)

4099



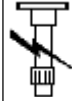
- | | | | |
|----|----------------|---|----------|
| 1 | 236000A1 | 1 | DRIVING |
| 2 | 236481A2 | 1 | HANGER |
| 3 | 192231A1 | 1 | INSERT |
| 4 | 758-2 | 3 | SCREW |
| 5 | 235988A1 | 1 | STRAP |
| 6 | 895-11004 | 3 | Washer |
| 7 | 187506A2 | 1 | QUADRANT |
| 8 | 187822A3 | 1 | GRIP |
| 9 | 187823A2 | 1 | BUTTON |
| 10 | 180563A1 | 1 | SPRING |
| 11 | 538-817 | 1 | Pin |
| | ● 187822A3 (1) | | |
| 12 | 223433A1 | 1 | GRIP |
| 13 | 223433A1 | 1 | GRIP |
| 14 | 223433A1 | 1 | GRIP |
| 15 | 187820A1 | 1 | GRIP |
| 16 | 712116A1 | 1 | DECAL |
| 17 | 193132A1 | 1 | HANGER |

4 - Electrical System

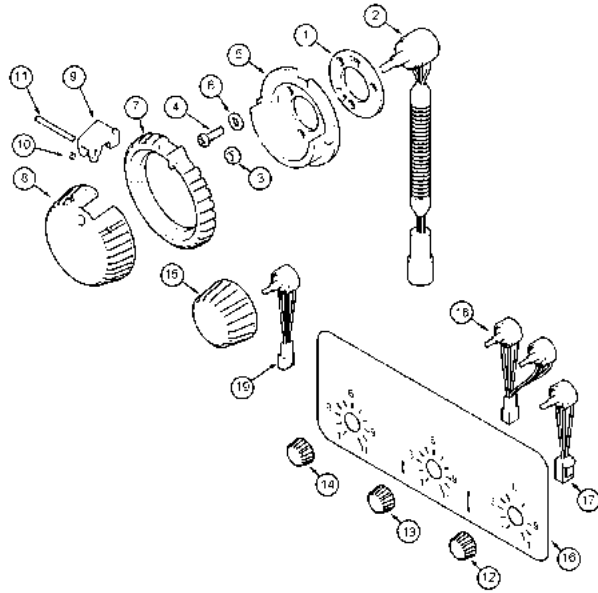
4 -
099

HITCH - CONTROL

XTX Series XTX185, XTX200, XTX215 (2005-2007)



4099



- 18 142087A1 2 HANGER
- 19 A186061 1 HANGER

LOWER
 1/4 in
 Position
 SPEED
 Hitch
 1K
 4,2 x 16 mm
 4,3 x 9 x 0,8 mm
 2,5 x 40 mm
 Height Adjustment
 Travel
 Drop
 Includes: 9 - 11
 C DRAFT CONTROL

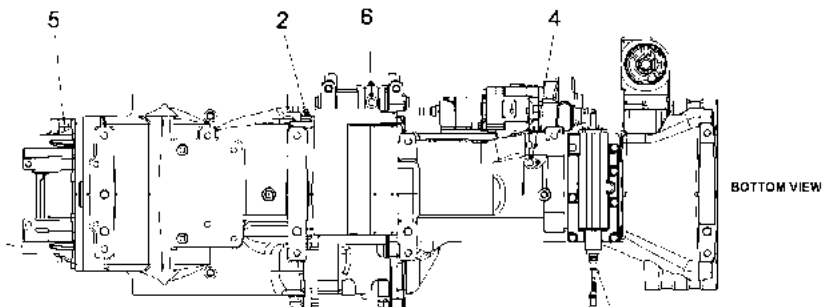
4 - Electrical System

4 -
101

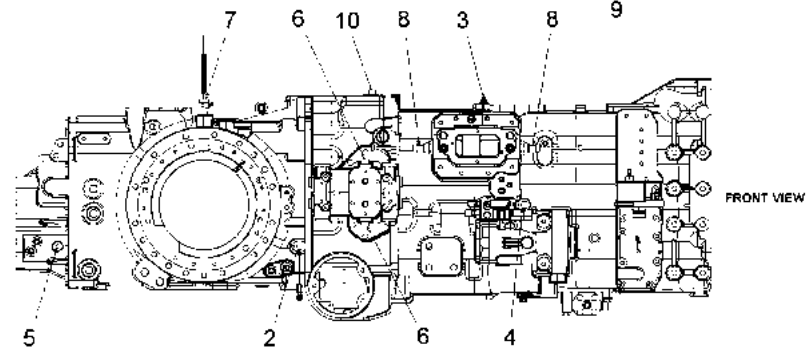
SENSORS

XTX Series XTX185, XTX200, XTX215 (2005-2007)

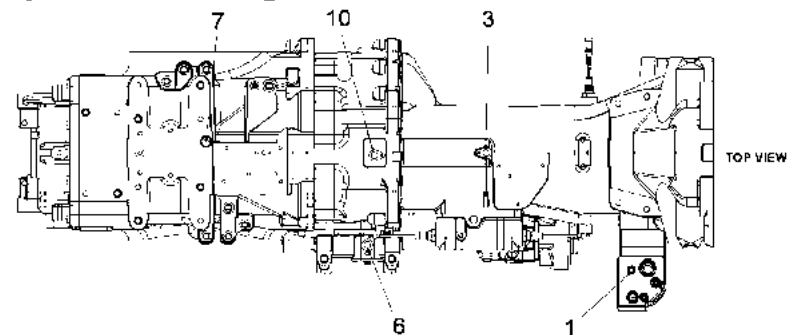
4101



BOTTOM VIEW



FRONT VIEW



TOP VIEW

1	243803A2	➔	TRANSMISSION 450132 A	1	INDICATOR
1	4207860M91	➔	450133 A	1	SENSOR
2	705457A5		B G	1	SENSOR
3	705456A5		B	1	SENSOR
4	709254A5		B H	2	SENSOR
5	238077A1		L	1	SENSOR
6	709255A3		E	2	SENSOR
7	716086A1	●	6507300M91 (1) F M	1	SENSOR
8	711980A1		E F	2	SENSOR
9	716195A1		H	1	CUTOUT
10	709254A3	●	N.L.S. (1) N O	1	SENSOR

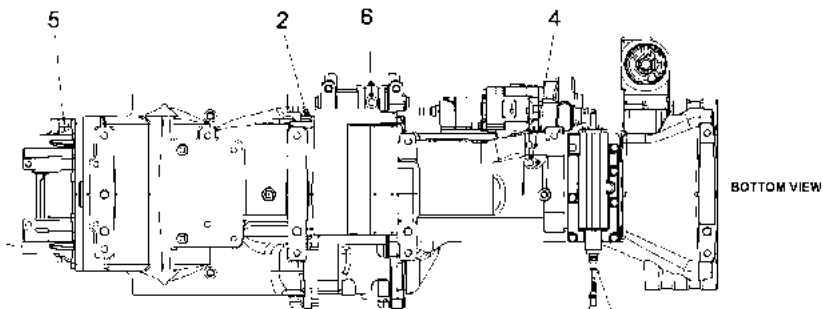
4 - Electrical System

4 -
101

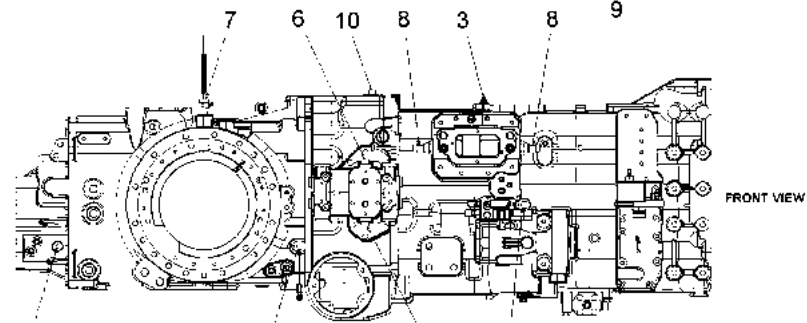
SENSORS

XTX Series XTX185, XTX200, XTX215 (2005-2007)

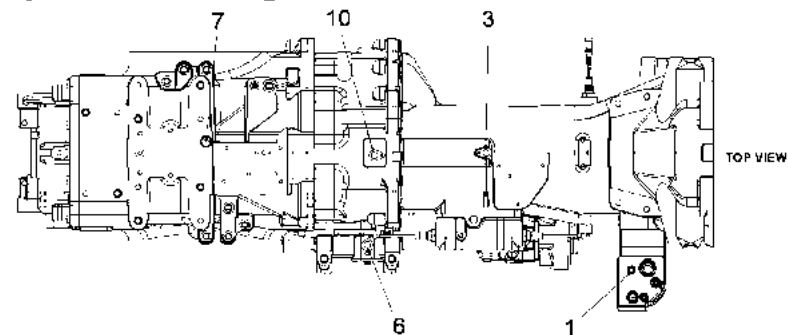
4101



BOTTOM VIEW



FRONT VIEW



TOP VIEW

- ➔ FROM SERIAL OR ENGINE NUMBER
- ➔ UP TO SERIAL OR ENGINE NUMBER
- A OIL TEMPERATURE
- B TRANSMISSION SPEED
- E FOR CREEPER GEARBOX
- F SPEED
- G A P.T.O. SPEED
- H B P.T.O. SPEED
- H PARK BRAKE
- L P.T.O. SPEED
- M BEVEL GEAR
- N GEARBOX SPEED
- O SHUTTLE

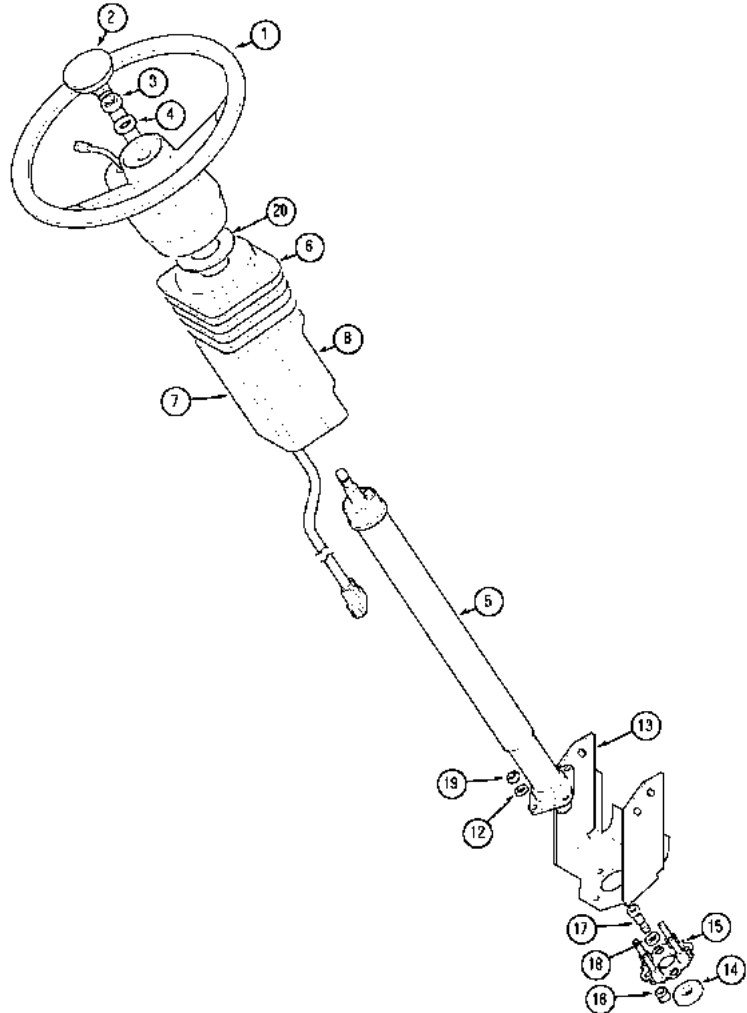
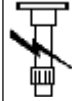
5 - Steering System

5 -
003

STEERING WHEEL AND COLUMN - Fixed

XTX Series XTX185, XTX200, XTX215 (2005-2007)

5003



- | | | | | |
|----|-----------|------------------|---|----------|
| 1 | 224818A3 | | 1 | FLYWHEEL |
| 2 | 413229A1 | | 1 | CAP |
| 3 | 825-11414 | | 1 | NUT |
| 4 | 895-11014 | | 1 | WASHER |
| 5 | 188832A5 | ● 6504062M92 (1) | 1 | COLUMN |
| 6 | NSS | | 1 | Boot |
| 7 | NSS | | 1 | Cover |
| 8 | NSS | | 1 | Cover |
| 12 | 895-11010 | | 8 | WASHER |
| 13 | 193345A3 | | 1 | STRAP |
| 14 | 257132A1 | | 1 | GASKET |
| 15 | 256390A2 | ● 3687948M91 (1) | 1 | STRAP |
| 16 | 319919A1 | | 4 | WALKWAY |
| 17 | 561-702 | | 4 | SCREW |
| 18 | 896-11012 | ● 3667437M1 (4) | 4 | WASHER |
| 19 | 832-10410 | | 4 | NUT FNS |
| 20 | 1977448C2 | | 1 | WASHER |

TOP

BOTTOM

M10; 8

11 x 21 x 2 mm

15,5 x 28 x 2,5 mm

M14

13.5 mm

Includes: 6 - 8

M10 x 13; 12,9

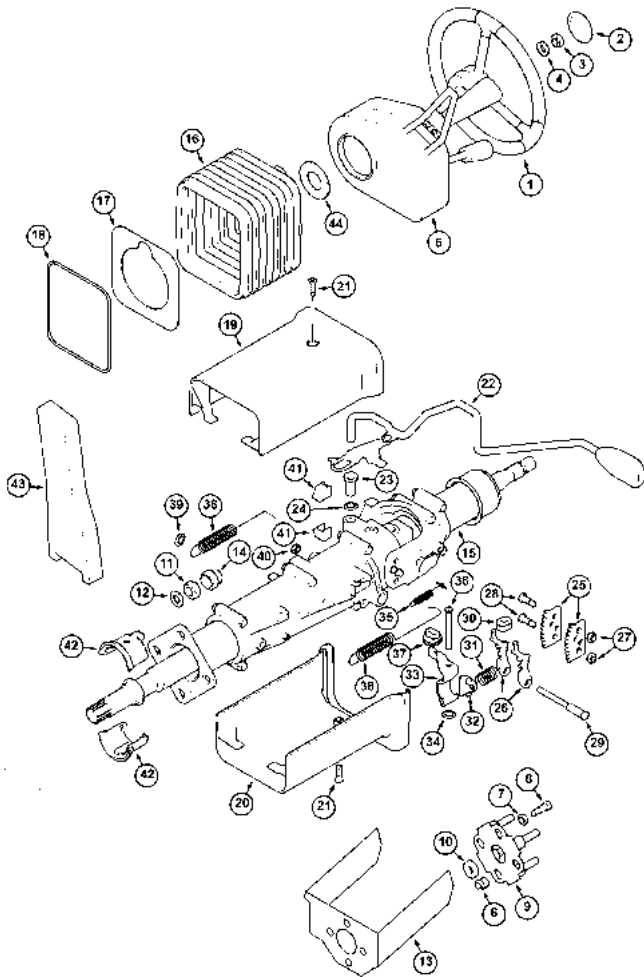
5 - Steering System

5 -
005

STEERING WHEEL AND COLUMN - Independent Tilt and Telescopic Adjustment

XTX Series XTX185, XTX200, XTX215 (2005-2007)

5005



- | | | | | |
|----|-----------|------------------|---|---------------|
| 1 | 709656A4 | | 1 | Wheel, Ste |
| 2 | 709657A2 | | 1 | MEDALLION |
| 3 | 825-11414 | | 1 | NUT |
| 4 | 895-11014 | | 1 | WASHER |
| 5 | REF | | 1 | Control Block |
| 6 | 187282A2 | | 4 | WALKWAY |
| 7 | 896-11012 | ● 3667437M1 (4) | 4 | WASHER |
| 8 | 561-702 | | 4 | SCREW |
| 9 | 256390A2 | ● 3687948M91 (1) | 1 | STRAP |
| 10 | 257132A1 | | 1 | GASKET |
| 11 | 832-10410 | | 4 | NUT FNS |
| 12 | 895-11010 | | 8 | WASHER |
| 13 | 193345A3 | | 1 | STRAP |
| 14 | 3221520R1 | ● 3543102M1 (4) | 4 | CAP |
| 15 | 707575A1 | ● 6504062M92 (1) | 1 | Column, St |
| 16 | 709914A1 | | 1 | Kit |

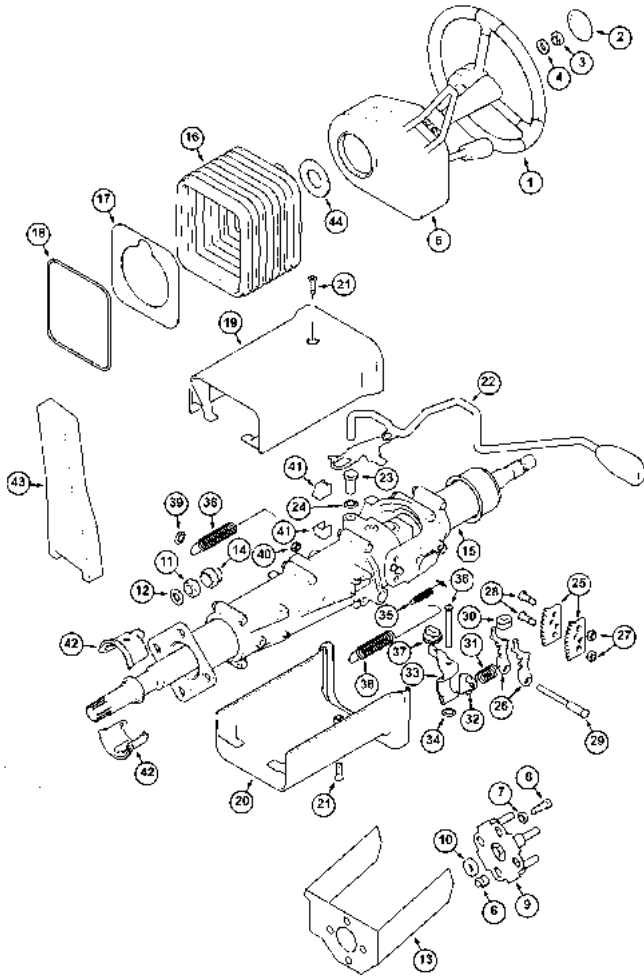
5 - Steering System

5 -
005

STEERING WHEEL AND COLUMN - Independent Tilt and Telescopic Adjustment

XTX Series XTX185, XTX200, XTX215 (2005-2007)

5005



- | | | | |
|----|----------|---|---------|
| 17 | NSS | 1 | Plate |
| 18 | NSS | 1 | Wire |
| 19 | 709910A1 | 1 | Kit |
| 20 | NSS | 1 | Cover |
| 21 | NSS | 2 | Screw |
| 22 | 709906A1 | 1 | Kit |
| 23 | NSS | 1 | Bushing |
| 24 | NSS | 1 | Washer |

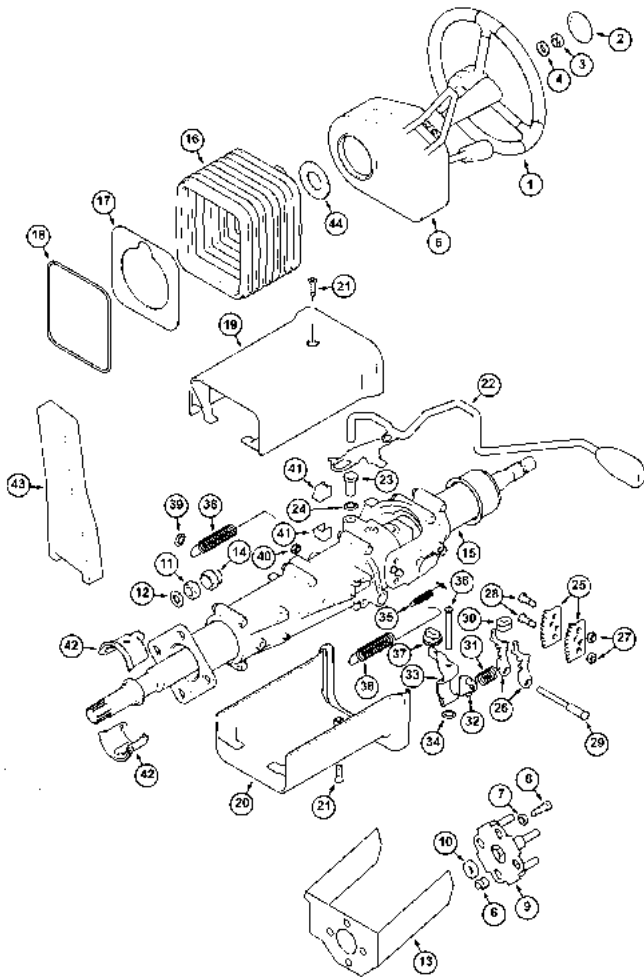
5 - Steering System

5 -
005

STEERING WHEEL AND COLUMN - Independent Tilt and Telescopic Adjustment

XTX Series XTX185, XTX200, XTX215 (2005-2007)

5005



LOWER

M10; 8

11 x 21 x 2 mm

Cover

15,5 x 28 x 2,5 mm

M14

Includes: 17,18

13.5 mm

Includes: 23,24

Aluminium

Includes: 20,21

Forward - Neutral - Reverse

M10 x 13; 12,9

Bellows

Lever

Includes: 16 - 42

See Page(s): 6-53,55

CONTINUED

B

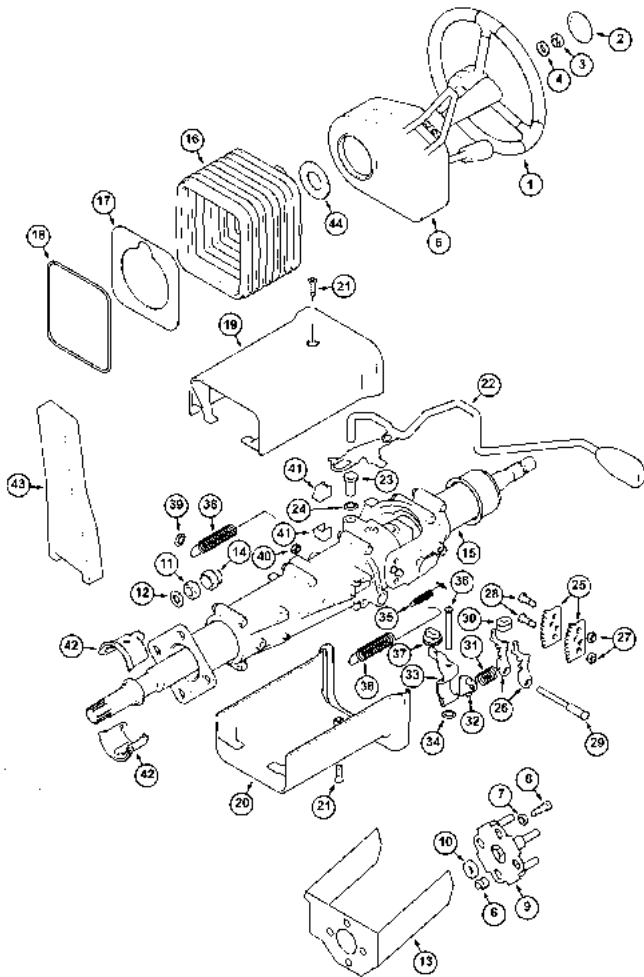
5 - Steering System

5 -
007

STEERING WHEEL AND COLUMN

XTX Series XTX185, XTX200, XTX215 (2005-2007)

5007



- | | | | |
|----|-----------|---|------------|
| 25 | 709886A1 | 1 | Package, S |
| 26 | NSS | 2 | Pawl |
| 27 | NSS | 2 | Nut |
| 28 | NSS | 2 | Bolt |
| 29 | NSS | 1 | Pin |
| 30 | NSS | 1 | Stop |
| 31 | NSS | 1 | Spring |
| 32 | NSS | 1 | Catch |
| 33 | NSS | 1 | Lever |
| 34 | NSS | 1 | Washer |
| 35 | NSS | 1 | Spring |
| 36 | NSS | 1 | Pin |
| 37 | NSS | 1 | Stop |
| 38 | NSS | 2 | Spring |
| 39 | NSS | 1 | Washer |
| 40 | NSS | 1 | Nut |
| 41 | NSS | 2 | Stop |
| 42 | NSS | 2 | Bushing |
| 43 | 311395A2 | 1 | INSTRUMENT |
| 44 | 1977448C2 | 1 | WASHER |

If So Equipped
Includes: 26 - 42

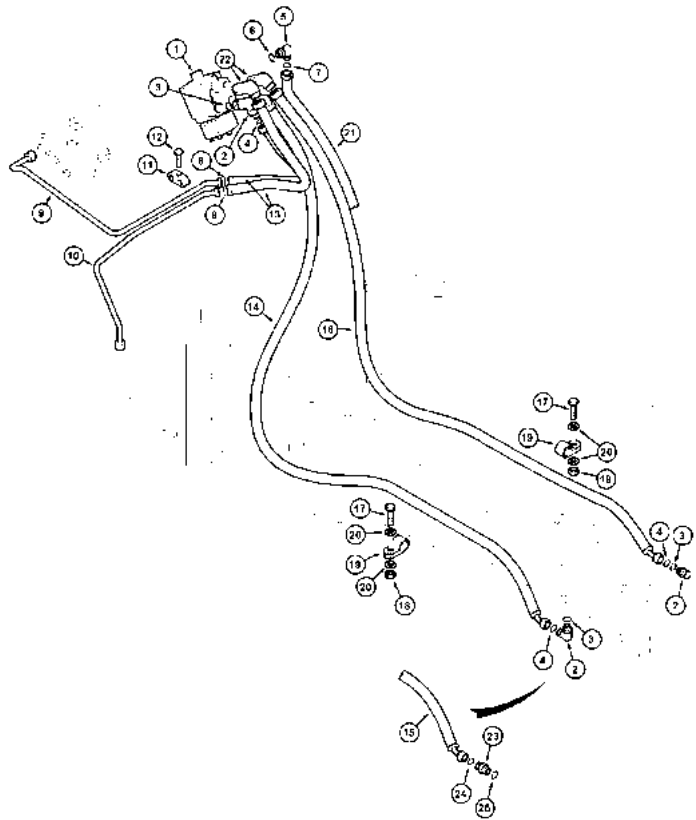
5 - Steering System

5 -
009

STEERING PIPES

XTX Series XTX185, XTX200, XTX215 (2005-2007)

5009



- | | | | | | |
|----|-----------|---|------------------------|---|------------|
| 1 | 1343658C3 | ➔ | JJE 3380067
BOSCH | 1 | KIT |
| 1 | 220438A1 | ➔ | JJE 3380067
DANFOSS | 1 | Package, S |
| 1 | 366442A1 | | | 1 | PUMP |
| 2 | 700-305 | | | 4 | COMPLIANCE |
| 2 | 700-305 | | | 3 | COMPLIANCE |
| 3 | 637-63153 | | | 1 | RING |
| 4 | 238-6014 | | | 1 | INSTANT GA |
| 5 | 700-303 | | | 1 | ELBOW |
| 6 | 637-63093 | | | 1 | GASKET |
| 7 | 238-6011 | | | 1 | INSTANT GA |
| 8 | 238-6014 | | | 2 | INSTANT GA |
| 9 | 711661A2 | | | 1 | PIPE |
| 10 | 711662A3 | | | 1 | TUBE ASSY |
| 11 | 256553A1 | | | 1 | CLAMP |
| 12 | 814-6035 | | | 1 | BOLT |
| 13 | 301282A1 | | | 2 | HOSE CLIP |

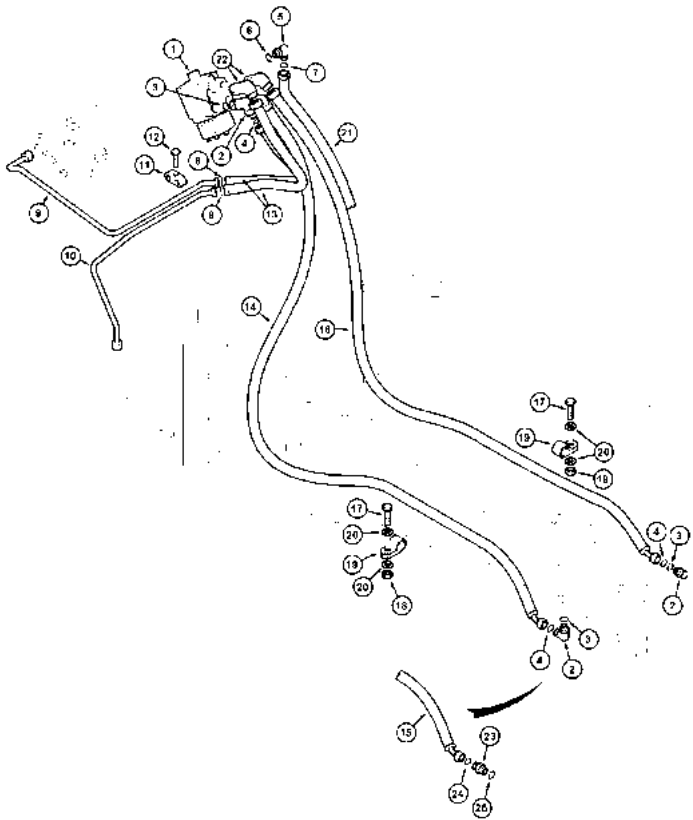
5 - Steering System

5 -
009

STEERING PIPES

XTX Series XTX185, XTX200, XTX215 (2005-2007)

5009



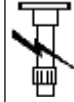
14	300569A2	1	HOSE
15	708760A2	1	PIPE
16	300569A2	1	HOSE
16	708759A1	1	Hose Assy
17	614-10055	2	BOLT
18	829-1410	2	NUT
19	515-24444	2	CLAMP
20	895-11010	4	WASHER
21	702004A1	1	Hose Assy
22	700-381	2	ANGLE

5 - Steering System

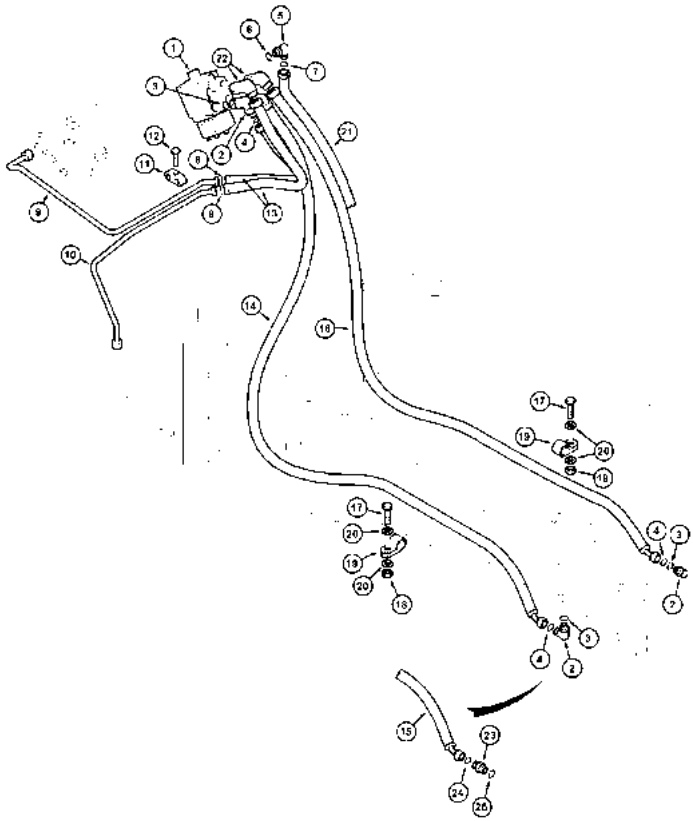
5 -
009

STEERING PIPES

XTX Series XTX185, XTX200, XTX215 (2005-2007)



5009



23 700-102

1 COMPLIANCE

24 238-6014

1 INSTANT GA

25 637-63153

1 RING

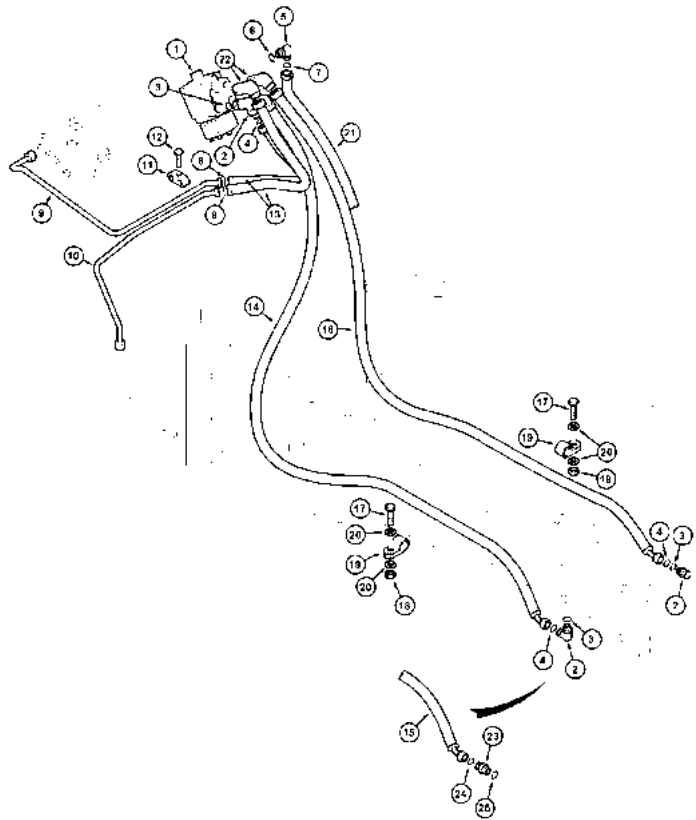
5 - Steering System

5 -
009

STEERING PIPES

XTX Series XTX185, XTX200, XTX215 (2005-2007)

5009



Left

Right

11 x 21 x 2 mm

2000 mm

9,3 ID x 2,2

Includes: 6,7

Includes: 3,4

1/2 ID x 1/16

5/16 ID x 1/16

M10; 10

Return

Includes: 24,25

Supply

650 mm

1650 mm

15,3 ID x 2,2 mm

1850 mm

M6 x 35; 8,8

SUSPENSION AXLE

M10 x 55; 8,8

Supply And Return

Fixed Axle

1825 mm

UP TO SERIAL OR ENGINE NUMBER



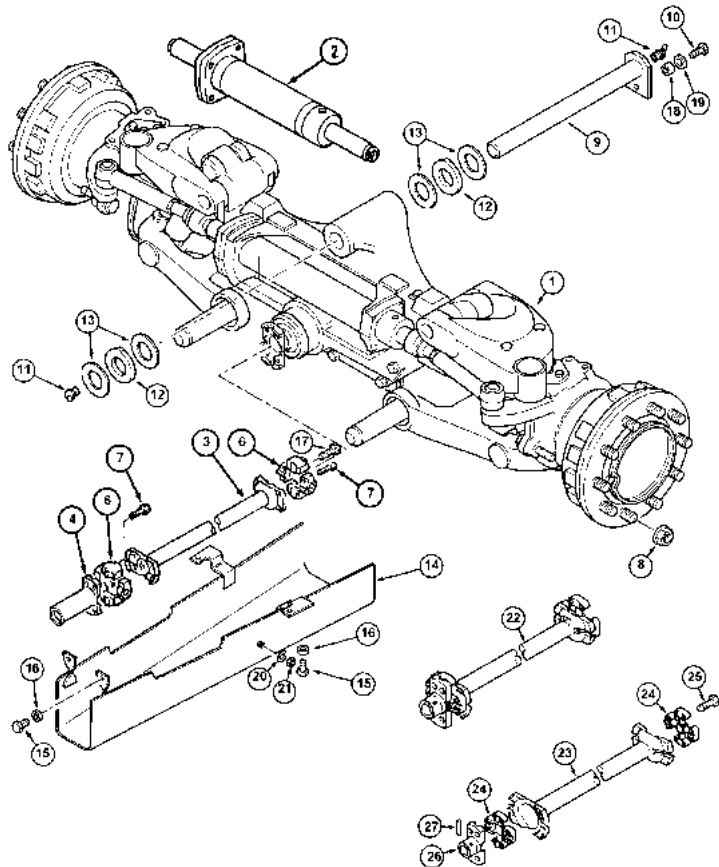
5 - Steering System

5 -
011

FRONT AXLE - SUSPENSION

XTX Series XTX185, XTX200, XTX215 (2005-2007)

5011



- | | | | | |
|----|-----------|------------------|----|--------------|
| 1 | 327127A1 | | 1 | AXLE |
| 1 | 711241A1 | | 1 | AXLE |
| 2 | 406602A1 | ● 3665324M91 (1) | 1 | STEM |
| 3 | 704483A1 | | 1 | Shaft, Drive |
| 3 | 704484A1 | ● 6510112M91 (1) | 1 | Shaft Assy |
| 3 | 711189A1 | ● 6510113M91 (1) | 1 | SHAFT |
| 3 | 711190A1 | | 1 | Shaft, Drive |
| 4 | 254594A1 | | 1 | YOKE |
| 6 | 229108A1 | | 2 | SPIDER |
| 7 | 827-10040 | | 12 | SCREW |
| 8 | 98783C1 | ● 3684473X1 (10) | 10 | NUT |
| 9 | 181466A4 | | 1 | TRACK |
| 10 | 806-12040 | | 1 | BOLT |

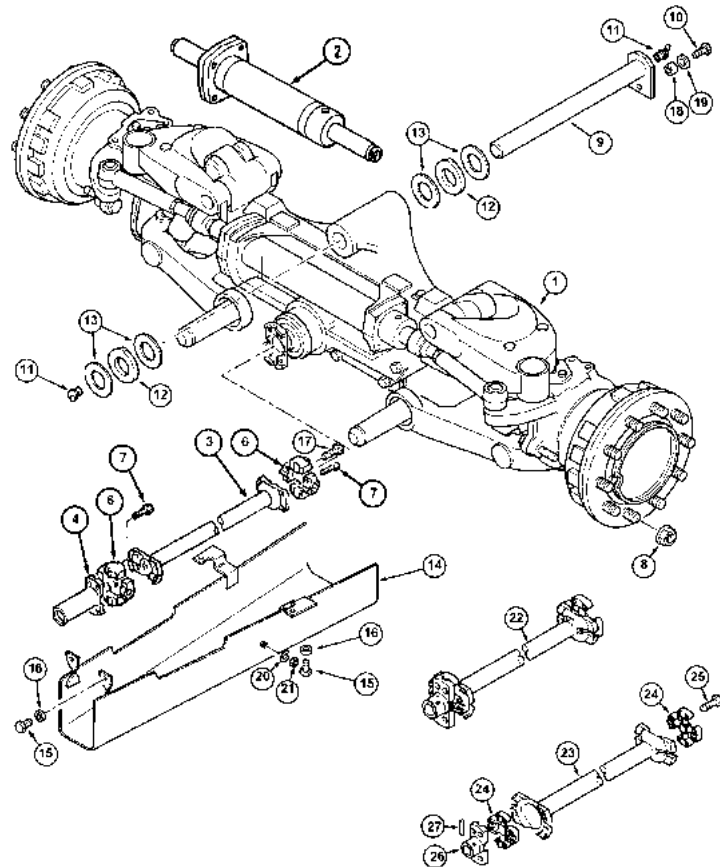
5 - Steering System

5 -
011

FRONT AXLE - SUSPENSION

XTX Series XTX185, XTX200, XTX215 (2005-2007)

5011



- | | | | |
|----|-----------|----|-------------|
| 11 | 219-41 | 2 | GREASE |
| 12 | A177855 | 2 | WASHER |
| 13 | A177854 | 4 | WASHER |
| 14 | 337559A4 | 1 | Shield Assy |
| 14 | 702113A2 | 1 | Shield Assy |
| 15 | 614-10020 | 4 | BOLT |
| 16 | 895-11010 | 4 | WASHER |
| 17 | 514-733 | 4 | BOLT |
| 18 | 280011A1 | 1 | DRIVING |
| 19 | 101936C2 | 1 | WASHER |
| 20 | 895-15010 | 2 | WASHER |
| 21 | 829-1410 | 2 | NUT |
| 22 | 711675A1 | 1 | SHAFT |
| 23 | 713374A1 | 1 | Shaft |
| 24 | 229108A1 | 1 | SPIDER |
| 25 | 827-10040 | 12 | SCREW |

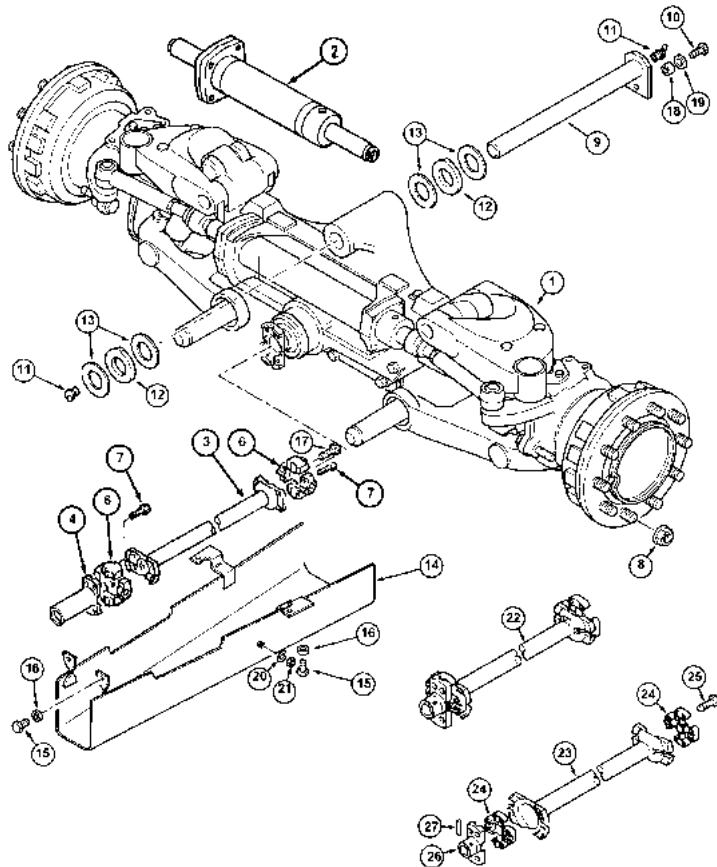
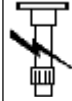
5 - Steering System

5 -
011

FRONT AXLE - SUSPENSION

XTX Series XTX185, XTX200, XTX215 (2005-2007)

5011



26 711691A1
27 838-3850

1 YOKE
2 Pin

M10 x 20; 8,8
11 x 21 x 2 mm
Illustrated
M12 x 40; 10,9
M10; 10
M20
See Page(s): 5-21
11 x 24 x 2 mm
8x50 mm
10 x 40 mm
20.25
1/8 PT x 1-3/16
Consists Of: 704483A1,4 - 7
M10 x 40;10,9
20.43
#XTX185
#XTX215
#XTX185, XTX200
#XTX200, XTX215
Consists Of: 711190A1,4 - 7
50 km/h
Consists Of: 23 - 26

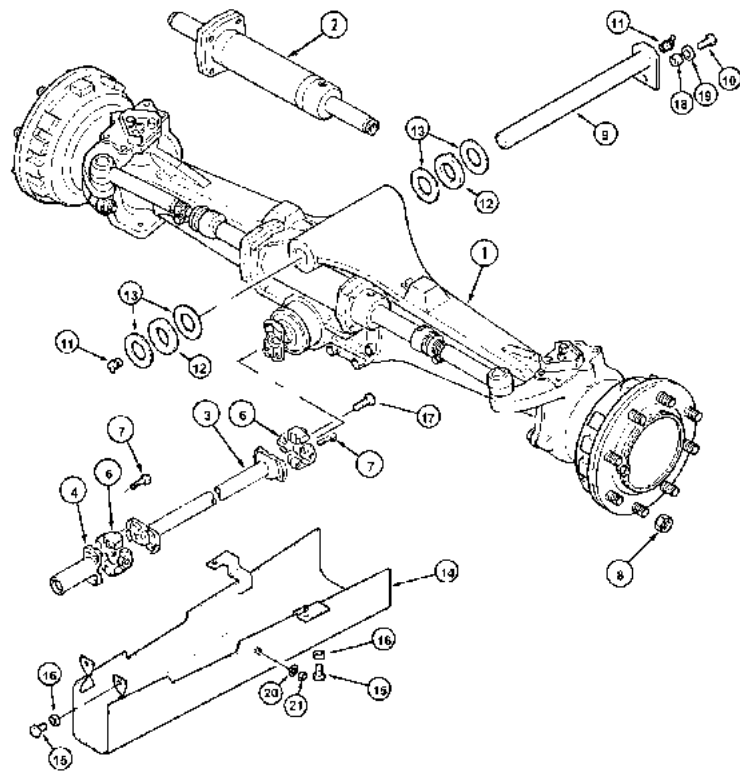
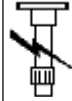
5 - Steering System

5 -
013

FRONT AXLE - Fixed Axle

XTX Series XTX185, XTX200, XTX215 (2005-2007)

5013



- | | | | | | |
|---|-----------|---|----------------|----|--------------|
| 1 | 452124A1 | ● | 452124A2 (1) | 1 | Axle, Front |
| 1 | 701700A1 | ● | 701700A2 (1) | 1 | Axle, Front |
| 2 | 300173A1 | ● | 3688390M91 (1) | 1 | CYLINDER |
| 3 | 704483A1 | | | 1 | Shaft, Drive |
| 3 | 704484A1 | ● | 6510112M91 (1) | 1 | Shaft Assy |
| 3 | 711189A1 | ● | 6510113M91 (1) | 1 | SHAFT |
| 3 | 711190A1 | | | 1 | Shaft, Drive |
| 4 | 254594A1 | | | 1 | YOKE |
| 6 | 229108A1 | | | 2 | SPIDER |
| 7 | 827-10040 | | | 12 | SCREW |
| 8 | 98783C1 | ● | 3684473X1 (20) | 20 | NUT |

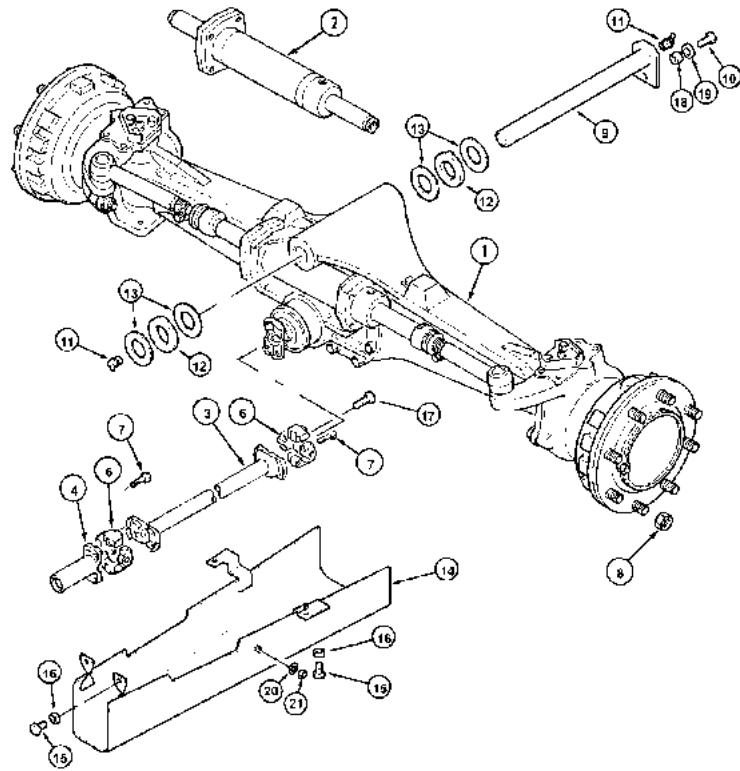
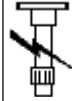
5 - Steering System

5 -
013

FRONT AXLE - Fixed Axle

XTX Series XTX185, XTX200, XTX215 (2005-2007)

5013



- | | | | |
|----|-----------|---|-------------|
| 9 | 181466A4 | 1 | TRACK |
| 10 | 806-12040 | 1 | BOLT |
| 11 | 219-41 | 2 | GREASE |
| 12 | A177855 | 2 | WASHER |
| 13 | A177854 | 4 | WASHER |
| 14 | 337559A4 | 1 | Shield Assy |
| 14 | 702113A2 | 1 | Shield Assy |
| 15 | 254328A1 | 4 | Screw |
| 15 | 614-10020 | 4 | BOLT |
| 16 | 895-11010 | 4 | WASHER |
| 17 | 514-733 | 4 | BOLT |
| 18 | 280011A1 | 1 | DRIVING |
| 19 | 101936C2 | 1 | WASHER |
| 20 | 895-15010 | 2 | WASHER |
| 21 | 829-1410 | 2 | NUT |

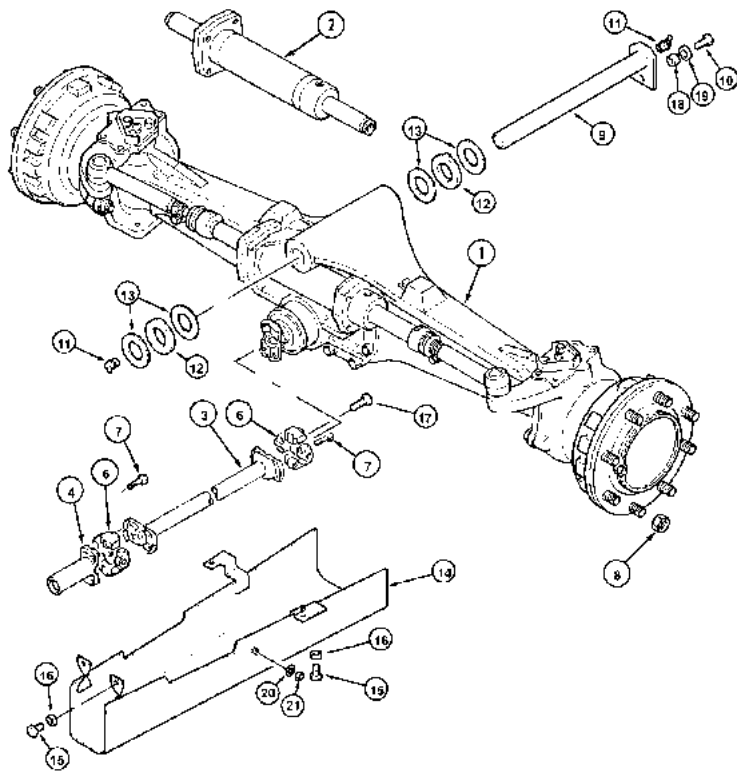
5 - Steering System

5 -
013

FRONT AXLE - Fixed Axle

XTX Series XTX185, XTX200, XTX215 (2005-2007)

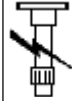
5013



- M10 x 20; 8,8
- 11 x 21 x 2 mm
- M12 x 40; 10,9
- M10; 10
- M20
- M10 x 25
- 11 x 24 x 2 mm
- 10 x 40 mm
- See Page(s): 5-19
- 1/8 PT x 1-3/16
- Consists Of: 704483A1,4 - 7
- M10 x 40;10,9
- 20.29
- 20.43
- #XTX185
- #XTX215
- #XTX185, XTX200
- #XTX200, XTX215
- Consists Of: 711190A1,4 - 7

5 - Steering System

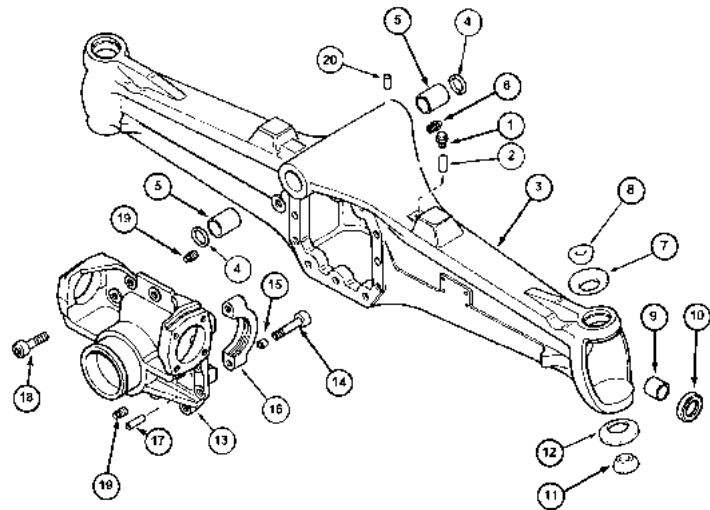
5 -
015



5015

XTX Series XTX185, XTX200, XTX215 (2005-2007)

FRONT AXLE HOUSING - Fixed Axle - 20.29, 20.43



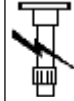
- | | | | | | |
|----|-----------|---|----------------|---|-----------|
| 1 | 1966149C2 | ● | 3541485M1 (1) | 1 | BACKBONE |
| 2 | S302037 | | | 1 | EXTENSION |
| 3 | 300168A1 | ● | 3688379M91 (1) | 1 | CRANKCASE |
| 4 | N14367 | ● | 3688381M1 (2) | 2 | GASKET |
| 5 | D149725 | ● | 3688380M1 (2) | 2 | BUSH |
| 6 | 712998R91 | | | 1 | SCREW |
| 7 | 122262A1 | ● | 3541398M1 (2) | 2 | SPRING |
| 8 | 247503A1 | ● | 3688384M1 (2) | 2 | BUSH |
| 8 | 702563A1 | ● | 3688384M1 (2) | 2 | BUSH |
| 9 | D142950 | ● | 3541401M1 (2) | 2 | BEARING |
| 10 | 247514A1 | ● | 3688385M1 (2) | 2 | GASKET |
| 11 | N14373 | ● | 6506149M1 (2) | 2 | TOGGLE |
| 12 | 122261A1 | ● | 3541403M1 (2) | 2 | SPRING |
| 13 | 247558A1 | ● | 3694343M91 (1) | 1 | SUPPORT |

5 - Steering System

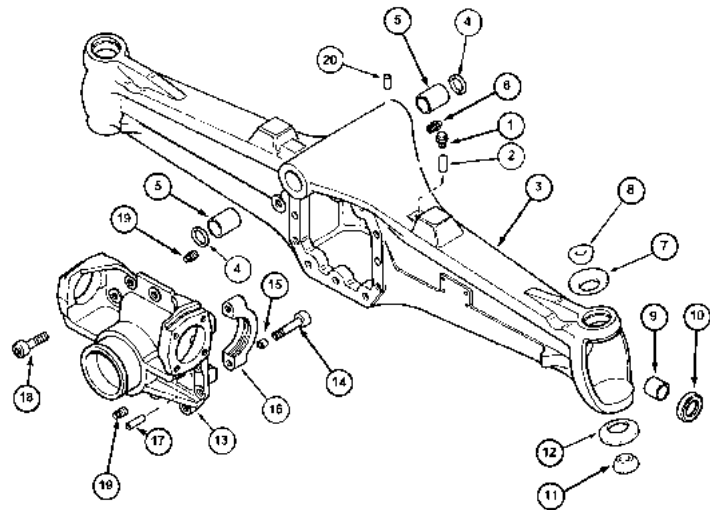
5 -
015

FRONT AXLE HOUSING - Fixed Axle - 20.29, 20.43

XTX Series XTX185, XTX200, XTX215 (2005-2007)



5015



- | | | | | |
|----|-----------|------------------|----|---------|
| 14 | S301065 | | 4 | BOLT |
| 15 | 1966136C1 | | 4 | Bushing |
| 16 | NSS | | 2 | Cap |
| 17 | 1966138C1 | ● 3541490M1 (2) | 2 | INSERT |
| 18 | S301064 | ● 3541491M1 (10) | 10 | BOLT |
| 19 | 110782A1 | ● 3664950M1 (2) | 2 | PLUG |
| 20 | D142898 | | 1 | PLUG |

Upper

LOWER

Optional

M14 x 75

M12 x 33

Center

DIFFERENTIAL

Includes: 14 - 16

Axle: 20.29

Axle: 20.43

REAR

Y

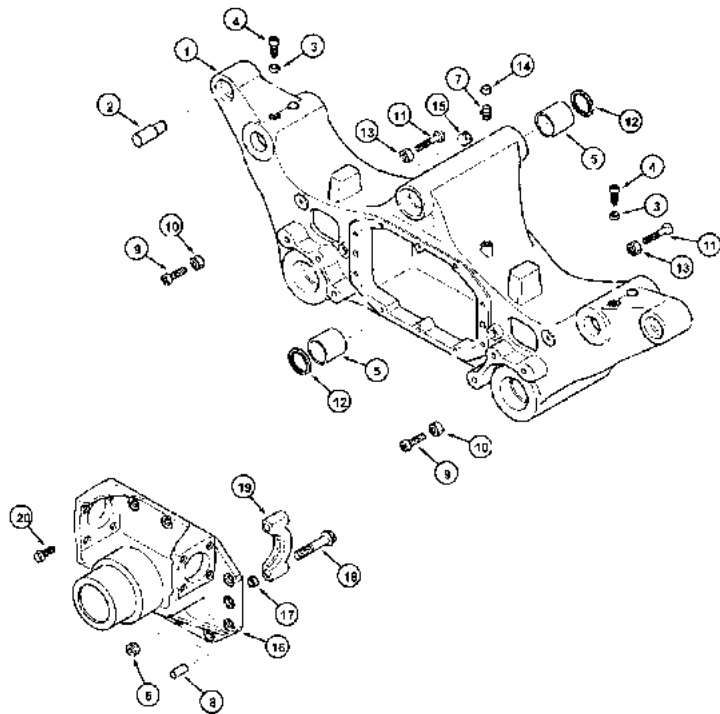
5 - Steering System

5 -
017

FRONT AXLE HOUSING - Suspension Axle - 20.43

XTX Series XTX185, XTX200, XTX215 (2005-2007)

5017



- | | | | | |
|----|-----------|------------------|----|------------|
| 1 | 406599A1 | | 1 | CRANKCASE |
| 2 | NSS | | 2 | Pin, Pivot |
| 3 | 340415A1 | | 2 | NUT |
| 4 | 340412A1 | | 2 | SCREW |
| 5 | D149725 | ● 3688380M1 (2) | 2 | BUSH |
| 6 | 110782A1 | ● 3664950M1 (1) | 1 | PLUG |
| 7 | 1966149C2 | ● 3541485M1 (1) | 1 | BACKBONE |
| 8 | 1966138C1 | ● 3541490M1 (2) | 2 | INSERT |
| 9 | 406734A1 | | 2 | SCREW |
| 10 | K965369 | | 2 | NUT |
| 11 | 406733A1 | | 2 | BOLT |
| 12 | N14367 | ● 3688381M1 (2) | 2 | GASKET |
| 13 | K965369 | | 2 | NUT |
| 14 | 175955A1 | | 1 | CAP |
| 15 | A156873 | | 1 | PLUG |
| 16 | 247558A1 | ● 3694343M91 (1) | 1 | SUPPORT |
| 17 | 1966136C1 | | 4 | Bushing |
| 18 | S301065 | | 4 | BOLT |
| 19 | NSS | | 2 | Support |
| 20 | S301064 | ● 3541491M1 (10) | 10 | BOLT |

M12

M14 x 75

M12 x 33

M12 x 70

22 mm

M12 x 40

Includes: 2,15

Includes: 17,19,20

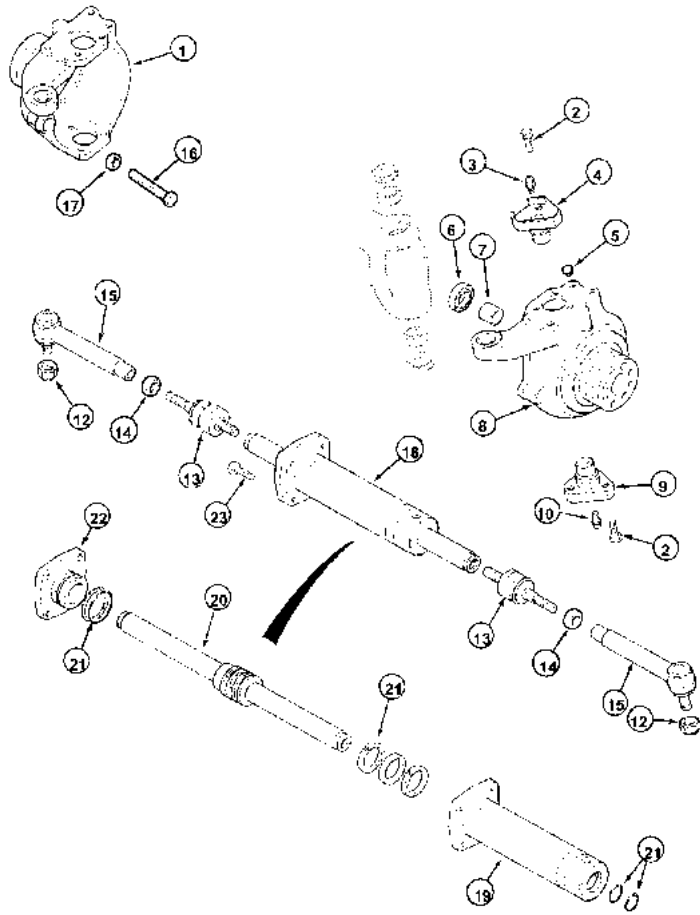
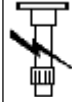
5 - Steering System

5 -
019

STEERING CYLINDER AND SWIVEL HOUSINGS - Fixed Axle - 20.29, 20.43

XTX Series XTX185, XTX200, XTX215 (2005-2007)

5019



- | | | | | | |
|----|-----------|---|----------------|----|--------------|
| 1 | 452361A1 | ● | 3688387M91 (1) | 1 | Housing Assy |
| 2 | D150214 | ● | 3541496M1 (12) | 12 | BOLT |
| 3 | 712998R91 | | | 2 | SCREW |
| 4 | 247517A1 | ● | 3688386M1 (2) | 2 | PLATE |
| 5 | 247518A1 | | | 8 | PLUG |
| 6 | 300167A1 | ● | 4213269M1 (2) | 2 | SEAL |
| 7 | 300166A1 | ● | 3541416M1 (2) | 2 | BUSH |
| 8 | 452362A1 | ● | 3688485M91 (1) | 1 | Housing Assy |
| 9 | 122259A1 | ● | 3541419M1 (2) | 2 | PIN |
| 10 | N13505 | ● | 3656920M1 (2) | 2 | GREASE |
| 11 | 311445A1 | ● | 3688388M91 (2) | 2 | Arm Assy |
| 12 | 107070A1 | | | 1 | NUT FNS |
| 13 | 311446A1 | ● | 3665323M91 (1) | 1 | UNIVERSAL |
| 14 | 126143A1 | ● | 3541500M1 (1) | 1 | NUT |

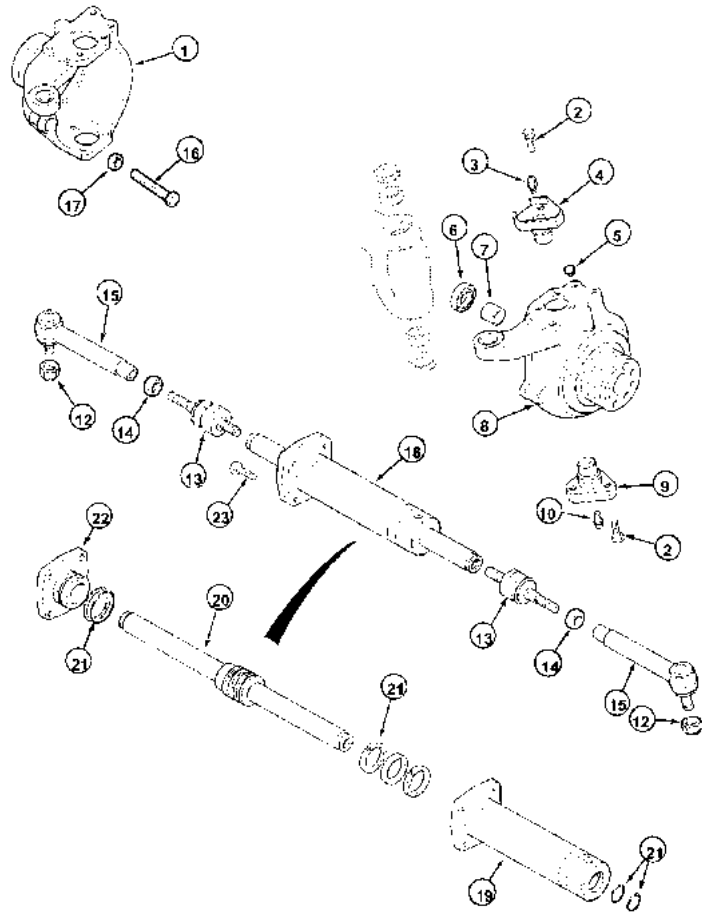
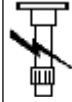
5 - Steering System

5 -
019

STEERING CYLINDER AND SWIVEL HOUSINGS - Fixed Axle - 20.29, 20.43

XTX Series XTX185, XTX200, XTX215 (2005-2007)

5019



- | | | | | | |
|----|-----------|---|----------------|---|------------|
| 15 | 247523A1 | | | 1 | BALL JOINT |
| 16 | 1537664C1 | ● | 3541493M1 (2) | 2 | BOLT |
| 17 | 1537663C1 | | | 2 | NUT |
| 18 | 300173A1 | ● | 3688390M91 (2) | 2 | CYLINDER |
| 19 | NSS | | | 1 | Housing |
| 20 | 311448A1 | ● | 3664957M91 (1) | 1 | Rod Assy |
| 21 | 300161A1 | ● | 3664958M91 (1) | 1 | KIT |
| 22 | 300162A1 | ● | 3688486M1 (1) | 1 | HEAD |
| 23 | 114296A1 | | | 4 | BOLT |

Upper

LOWER

Left

Right

M6

M16

M12 x 45

M16 x 100

14.5 mm

M20

Consists Of: 19 - 23

M14 x 35

Consists Of: 12 - 15

M24

48 x 75 x 17 mm

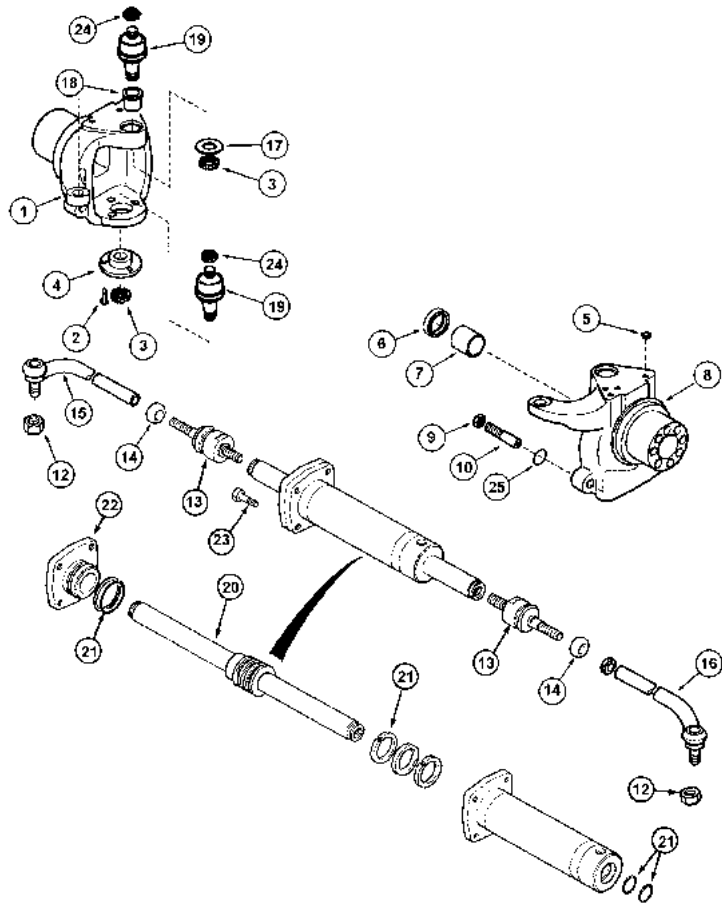
5 - Steering System

5 -
021

STEERING CYLINDER AND SWIVEL HOUSINGS - Suspension Axle - 20.43

XTX Series XTX185, XTX200, XTX215 (2005-2007)

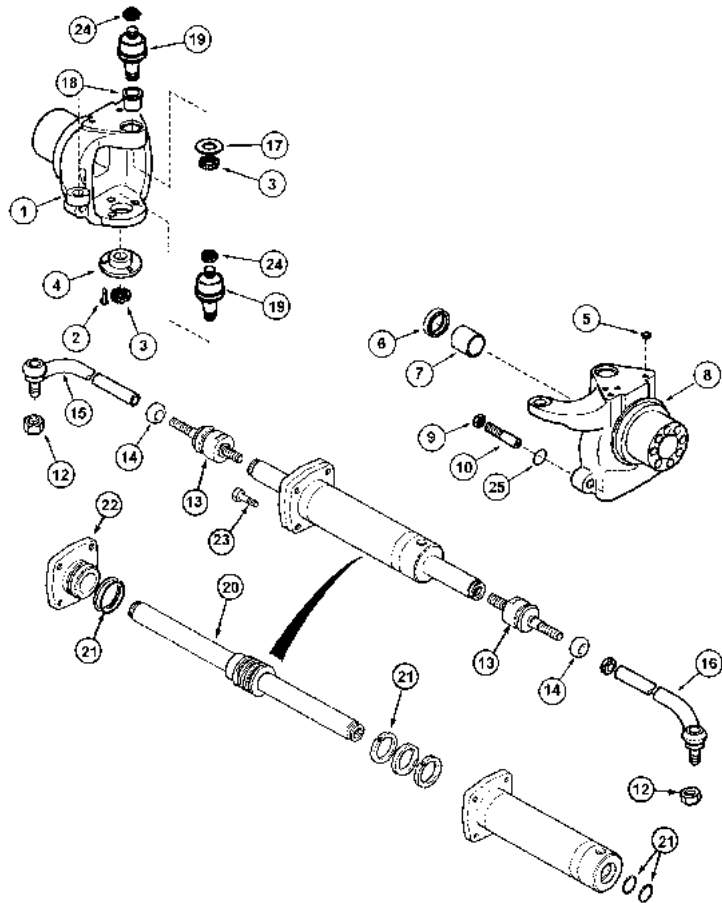
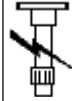
5021



- | | | | | | |
|----|----------|---|----------------|---|--------------|
| 1 | 702303A1 | ● | 4215843M1 (1) | 1 | Housing Assy |
| 2 | S301064 | ● | 3541491M1 (6) | 6 | BOLT |
| 3 | 711299A1 | | | 4 | NUT |
| 4 | 406725A1 | ● | 3665336M1 (2) | 2 | FLANGE |
| 5 | 247518A1 | | | 8 | PLUG |
| 6 | 406605A1 | ● | 3665328M1 (2) | 2 | SEAL |
| 7 | 300166A1 | ● | 3541416M1 (2) | 2 | BUSH |
| 8 | 702302A1 | | | 1 | Housing Assy |
| 9 | 406729A1 | | | 2 | NUT |
| 10 | 711298A1 | | | 2 | SCREW |
| 12 | 107070A1 | | | 2 | NUT FNS |
| 13 | 311446A1 | ● | 3665323M91 (2) | 2 | UNIVERSAL |
| 14 | 126143A1 | ● | 3541500M1 (2) | 2 | NUT |
| 15 | 406601A1 | ● | 3664959M91 (1) | 1 | ARM |

XTX Series XTX185, XTX200, XTX215 (2005-2007)

5021



- | | | | | | |
|----|----------|---|----------------|---|-----------|
| 16 | 406604A1 | ● | 3665325M91 (1) | 1 | ARM |
| 17 | 406730A1 | | | 2 | WASHER |
| 18 | 406722A1 | ● | 3665329M1 (2) | 2 | FLANGE |
| 19 | 406724A1 | ● | 3665333M91 (4) | 4 | UNIVERSAL |
| 20 | 311448A1 | ● | 3664957M91 (1) | 1 | Rod Assy |
| 20 | 406602A1 | ● | 3665324M91 (1) | 1 | STEM |
| 21 | 300161A1 | ● | 3664958M91 (1) | 1 | KIT |
| 22 | 406600A1 | | | 1 | Head, Cyl |
| 23 | 114296A1 | | | 4 | BOLT |
| 24 | 711300A1 | | | 4 | NUT |
| 25 | 702304A1 | | | 2 | Shim |

Left

Right

M12 x 33

M12 x 45

14.5 mm

M20

Includes: 13,14

M24

M22 x 1.5

48 x 65 x 16,5 mm

M27 x 1.5

M27 x 2

M27 x 122

Consists Of: 311448A1,21 - 23

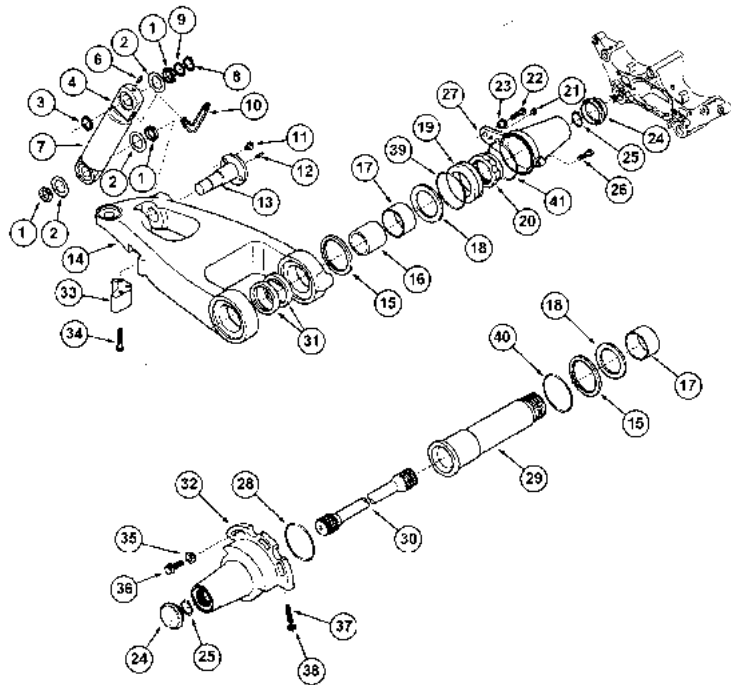
5 - Steering System

5 -
023

FRONT AXLE - LOWER ARM - Suspension Axle - 20.43

XTX Series XTX185, XTX200, XTX215 (2005-2007)

5023



- | | | | | | |
|----|-----------|---|----------------|---|------------|
| 1 | 406735A1 | ● | 3665338M1 (6) | 6 | Spacer |
| 2 | 406736A1 | ● | 3665339M1 (6) | 6 | Washer |
| 3 | 406737A1 | | | 2 | Spacer |
| 4 | 406738A1 | ● | 3665341M91 (2) | 2 | Rod Assy |
| 5 | 406739A1 | ● | 3665342M91 (2) | 2 | KIT |
| 6 | 406740A1 | | | 2 | FILTER |
| 7 | 406741A1 | ● | 3665344M92 (2) | 2 | CYLINDER |
| 8 | 800-1130 | | | 2 | Ring, Reta |
| 9 | 326749A1 | | | 2 | RING |
| 10 | 406742A1 | | | 2 | ELBOW |
| 11 | 614-10020 | | | 4 | BOLT |
| 12 | 712998R91 | | | 6 | SCREW |
| 13 | 406743A1 | ● | 3665348M91 (2) | 2 | Pin |
| 14 | 711301A1 | | | 1 | ARM |
| 14 | 711302A1 | | | 1 | ARM |
| 15 | 711303A1 | | | 4 | WASHER |
| 16 | 406748A1 | ● | 3665363M1 (2) | 2 | BUSH |

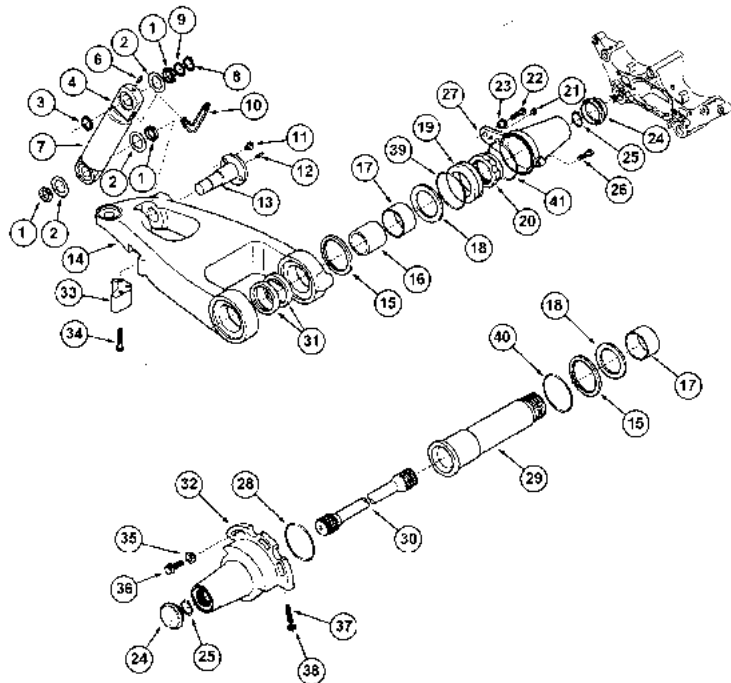
5 - Steering System

5 -
023

FRONT AXLE - LOWER ARM - Suspension Axle - 20.43

XTX Series XTX185, XTX200, XTX215 (2005-2007)

5023



- | | | | | | |
|----|----------|---|---------------|---|------------|
| 17 | 711304A1 | ● | 4215922M1 (2) | 2 | Bushing |
| 18 | 711305A1 | | | 4 | Washer, Th |
| 19 | 711306A1 | | | 2 | Washer, Th |
| 20 | 406752A1 | | | 2 | NUT |
| 21 | 340452A1 | | | 2 | PLUG |
| 22 | 116425A1 | | | 4 | BOLT |
| 23 | 116426A1 | | | 4 | BUSH |
| 24 | 406754A1 | ● | 3656941M1 (4) | 4 | PLUG |
| 25 | A48041 | | | 4 | RING |
| 26 | 406755A1 | | | 2 | Bolt |

Left

Right

M10 x 20; 8,8

M10 x 45

Illustrated

Includes: 4 - 6

M10 x 35

Includes: 17,33,34

M65 x 1.5

A NOT ILLUSTRATED

B CONTINUED

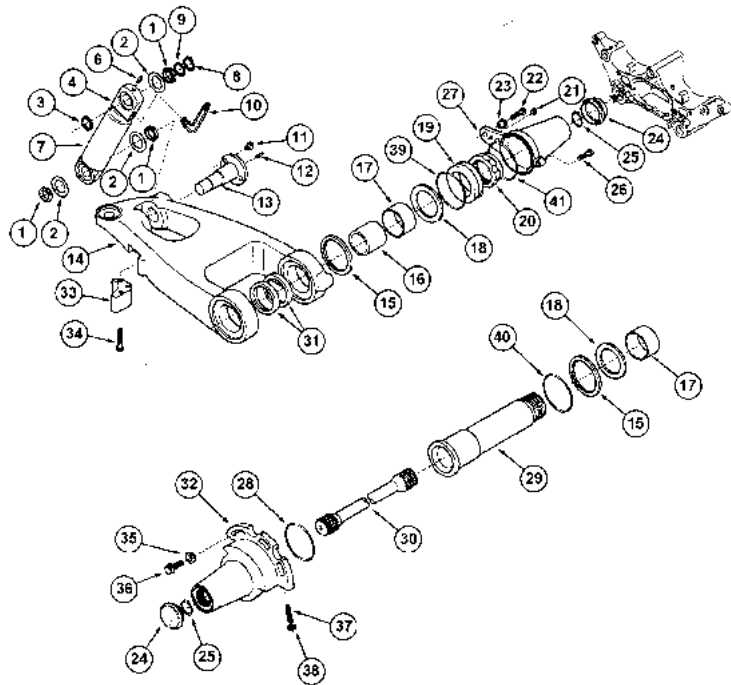
5 - Steering System

5 -
025

FRONT AXLE - LOWER ARM - Suspension Axle - 20.43

XTX Series XTX185, XTX200, XTX215 (2005-2007)

5025



27	711307A1		2	HUB
28	340411A1		2	INSTANT GA
29	711308A1	●	2	BAR
30	340462A1	●	1	BAR PLATE
30	340463A1	●	1	BAR
31	711309A1		4	THIMBLE
32	406759A1	●	1	FLANGE
32	406760A1	●	1	FLANGE
33	711310A1		1	PLATE
34	814-10070		3	SCREW
35	340464A1		6	GUIDE
36	S301064	●	6	BOLT
37	406763A1		2	SCREW
38	825-1410		2	NUT
39	406864A1	●	2	RING

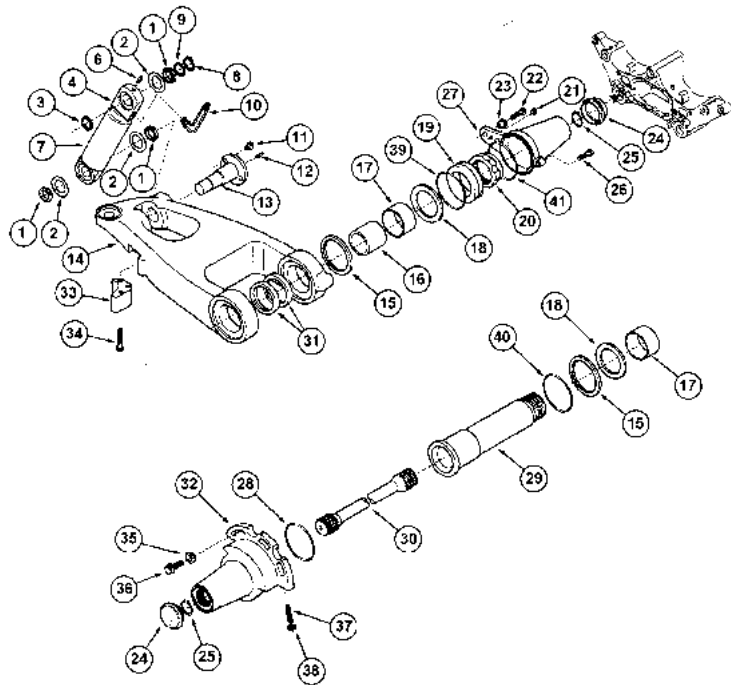
5 - Steering System

5 -
025

FRONT AXLE - LOWER ARM - Suspension Axle - 20.43

XTX Series XTX185, XTX200, XTX215 (2005-2007)

5025



- | | | | | |
|----|----------|-----------------|---|------|
| 40 | 711311A1 | | 2 | RING |
| 41 | 711312A1 | ● 4215934M1 (2) | 2 | RING |
| | | Left | | |
| | | Right | | |
| | | M10; 8 | | |
| | | M12 x 33 | | |
| | | Illustrated | | |
| | | M10 x 70 | | |
| | | M10 x 60 | | |

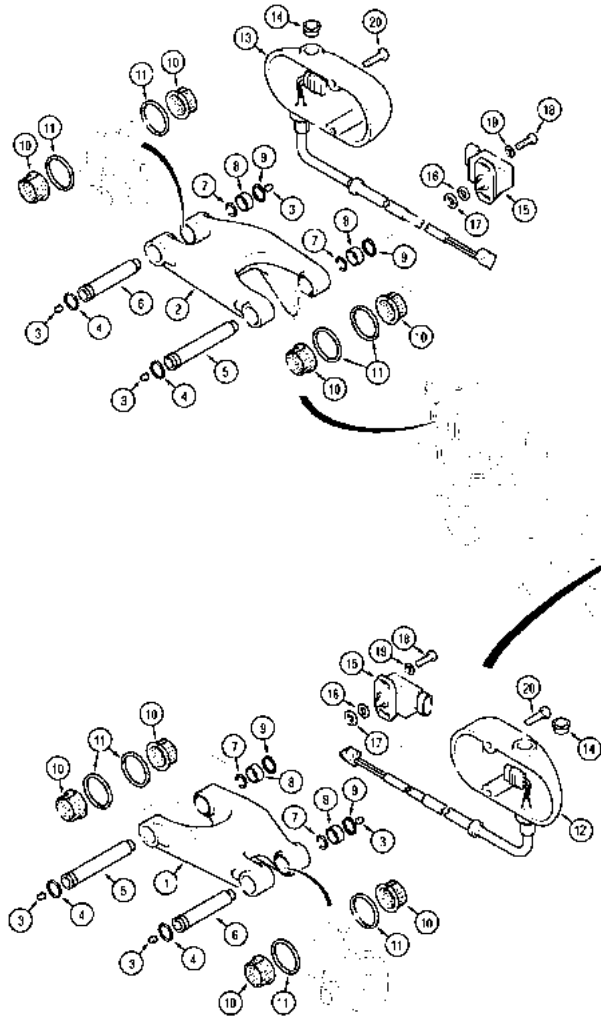
5 - Steering System

5 -
027

FRONT AXLE - UPPER ARM - XTX185 - Suspension Axle

XTX Series XTX185, XTX200, XTX215 (2005-2007)

5027



- | | | | | |
|----|----------|------------------|---|------------|
| 1 | 340470A1 | | 1 | ARM |
| 2 | 340469A1 | | 1 | ARM |
| 3 | 933781R1 | ● 3656934M1 (6) | 6 | GREASE |
| 4 | 340405A1 | ● 3656933M1 (4) | 4 | RING |
| 5 | 340461A1 | | 2 | PIN |
| 6 | 340460A1 | | 2 | CLEVIS PIN |
| 7 | 340406A1 | ● 3656937M1 (4) | 4 | INSTANT GA |
| 8 | 340455A1 | | 4 | BUSH |
| 9 | 340471A1 | ● 3656935M1 (4) | 4 | RING |
| 10 | 340453A1 | ● 3656930M1 (8) | 8 | BUSH |
| 11 | 340404A1 | | 8 | BUSH |
| 12 | 340477A1 | ● 3656968M91 (1) | 1 | KIT |
| | | | | |
| 13 | 340476A1 | ● 3656961M91 (1) | 1 | KIT |
| | | | | |
| 14 | 294246A1 | | 1 | PLUG |

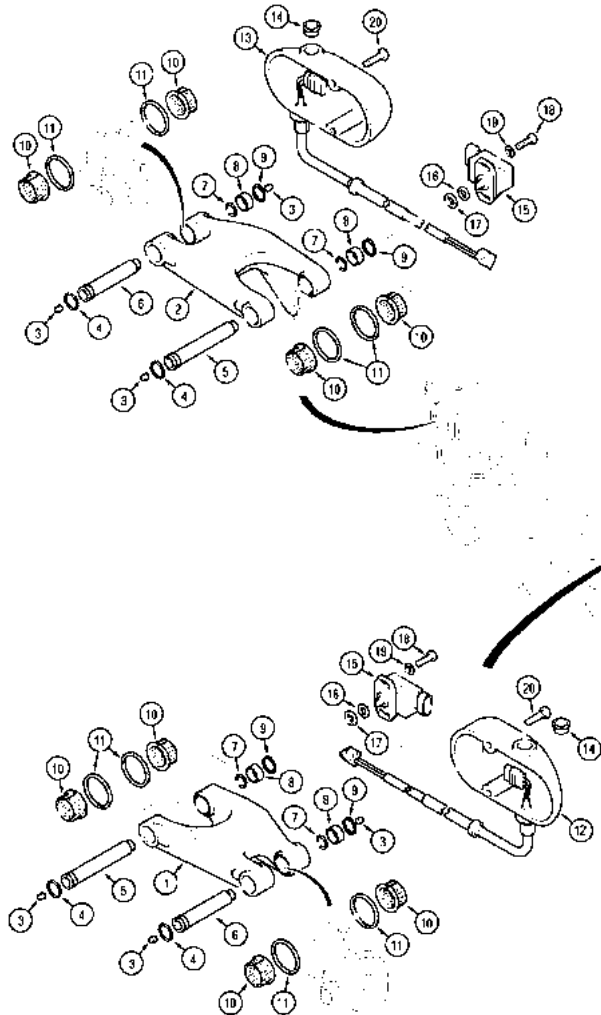
5 - Steering System

5 -
027

FRONT AXLE - UPPER ARM - XTX185 - Suspension Axle

XTX Series XTX185, XTX200, XTX215 (2005-2007)

5027



- | | | | | | |
|----|-----------|---|---------------|---|---------|
| 15 | 452155A1 | ● | 3665385M1 (2) | 2 | SENSOR |
| 16 | 452156A1 | | | 2 | WASHER |
| 17 | 340474A1 | | | 2 | WALKWAY |
| 18 | 340414A1 | | | 4 | BOLT |
| 19 | 895-11006 | ● | 390971X1 (4) | 4 | WASHER |
| 20 | 324632A1 | | | 4 | BOLT |

6,6 x 12 x 1,6 mm

Left

Right

Includes: 14

M6 x 30

M4 x 12

M10 x 1

Use With: 15

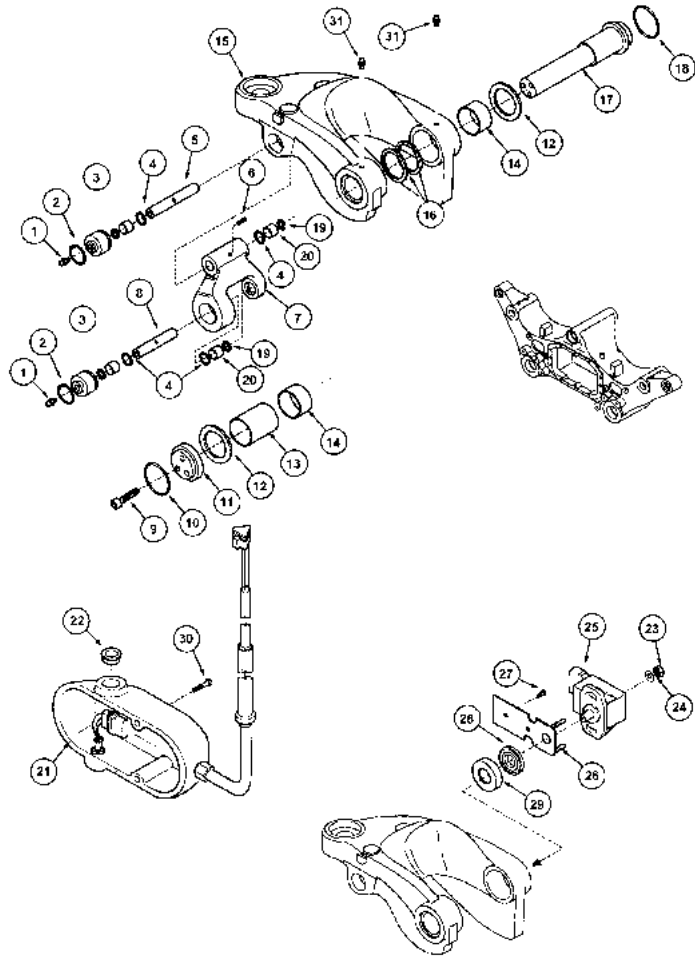
5 - Steering System

5 -
029

FRONT AXLE - UPPER ARM - Suspension Axle - 20.43

XTX Series XTX185, XTX200, XTX215 (2005-2007)

5029



- | | | | | |
|----|-----------|------------------|---|---------|
| 1 | A52236 | | 8 | GREASE |
| 2 | 406767A1 | ● 3665367M1 (4) | 4 | RING |
| 3 | 406768A1 | ● 3665368M91 (4) | 4 | KIT |
| 4 | 406834A1 | ● 3665369M1 (8) | 8 | GASKET |
| 5 | 406835A1 | ● 3665370M1 (2) | 2 | PIN |
| 6 | 905794R1 | ● 3665371M1 (2) | 2 | PIN |
| 7 | 406836A1 | ● 3665372M91 (2) | 2 | SUPPORT |
| 8 | 406837A1 | ● 3665373M1 (2) | 2 | PIN |
| 9 | 864-10030 | | 6 | SCREW |
| 10 | 711313A1 | | 2 | RING |
| 11 | 711314A1 | | 2 | Cover |
| 12 | 711315A1 | | 4 | WASHER |
| 13 | 406871A1 | ● 3665377M1 (2) | 2 | BUSH |
| 14 | 711316A1 | | 4 | Bushing |
| 15 | 711317A1 | | 1 | KIT |
| 15 | 711318A1 | | 1 | KIT |
| 16 | 711319A1 | | 4 | THIMBLE |
| 17 | 711320A1 | | 2 | PIN |

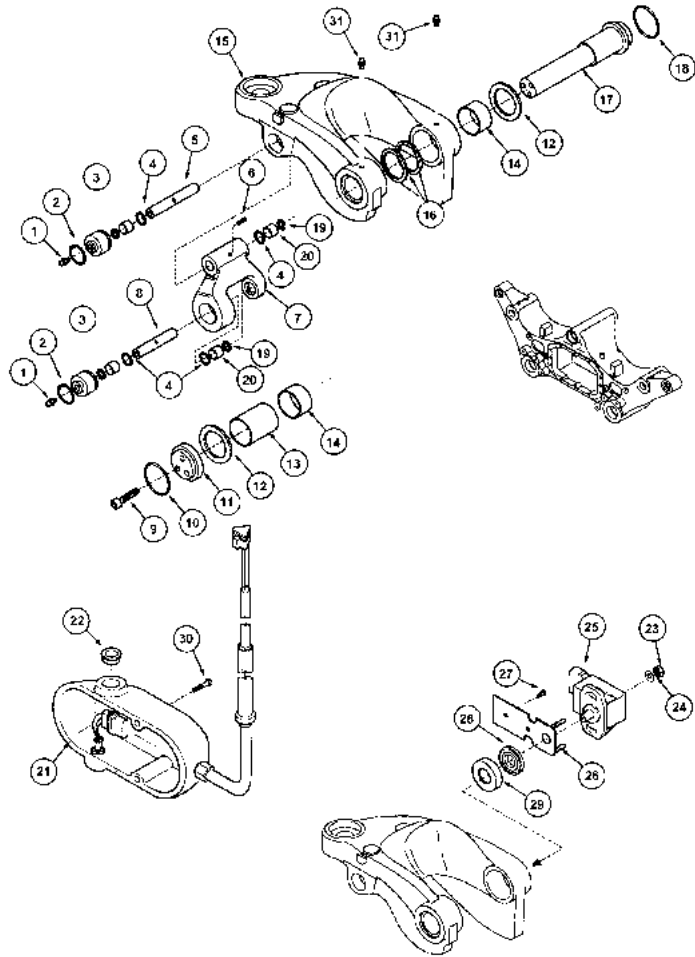
5 - Steering System

5 -
029

FRONT AXLE - UPPER ARM - Suspension Axle - 20.43

XTX Series XTX185, XTX200, XTX215 (2005-2007)

5029



- | | | | | |
|----|-----------|------------------|---|------------|
| 18 | 711321A1 | | 2 | RING |
| 19 | NSS | | 0 | Washer |
| 20 | NSS | | 0 | Plug |
| 21 | 406922A1 | | 1 | KIT |
| 21 | 406923A1 | ● 3665384M91 (1) | 1 | KIT |
| 22 | NSS | | 1 | Grommet |
| 23 | 402052A1 | ● | 4 | Nut |
| 24 | 895-11006 | ● 390971X1 (4) | 4 | WASHER |
| 25 | 710055A1 | ● 3665385M1 (2) | 2 | SWITCH,IND |
| 26 | 406924A1 | | 2 | KIT |
| 27 | 112486A1 | ● 3541449M1 (4) | 4 | BOLT |
| 28 | 340474A1 | | 1 | WALKWAY |
| 29 | 406925A1 | | 2 | SEAL |
| 30 | 324632A1 | | 4 | BOLT |
| 31 | 712998R91 | | 4 | SCREW |

6,6 x 12 x 1,6 mm

Left

Right

M10 x 30; 8.8

Includes: 19,20

Includes: 22

M6 x 10

Includes: 18,19

M6 x 30

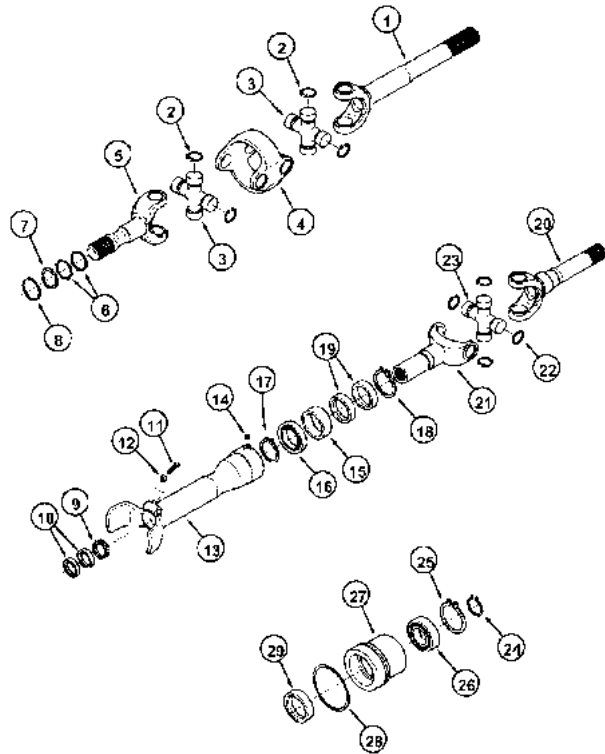
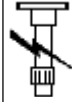
5 - Steering System

5 -
031

FRONT AXLE - DOUBLE COUPLINGS - Suspension Axle - 20.43

XTX Series XTX185, XTX200, XTX215 (2005-2007)

5031



1	406842A1	●	3665682M1 (2)	2	YOKE
1	702309A1			2	COUPLING
2	406843A1			16	GEAR
3	406844A1	●	3665684M1 (4)	4	SPIDER
4	702310A1	●	4216237M1 (2)	2	BODY
5	702311A1			2	Fork
6	700611A1	●	3673368M1 (2)	2	WASHER
7	702097A1	●	3674061M1 (2)	2	Washer
8	702099A1	●	3674062M1 (2)	2	Ring
9	406850A1	●	3665689M1 (2)	2	BEARING
10	406851A1	●	3665690M1 (4)	4	GASKET
11	340412A1			2	SCREW
12	340415A1			2	NUT
13	406853A1	●	3665691M1 (2)	2	GUARD
14	905837R1			2	SCREW
15	406854A1	●	3665693M1 (2)	2	BUSH
16	406855A1	●	4216239M1 (2)	2	BEARING
17	800-1150	●	3665696M1 (2)	2	RING

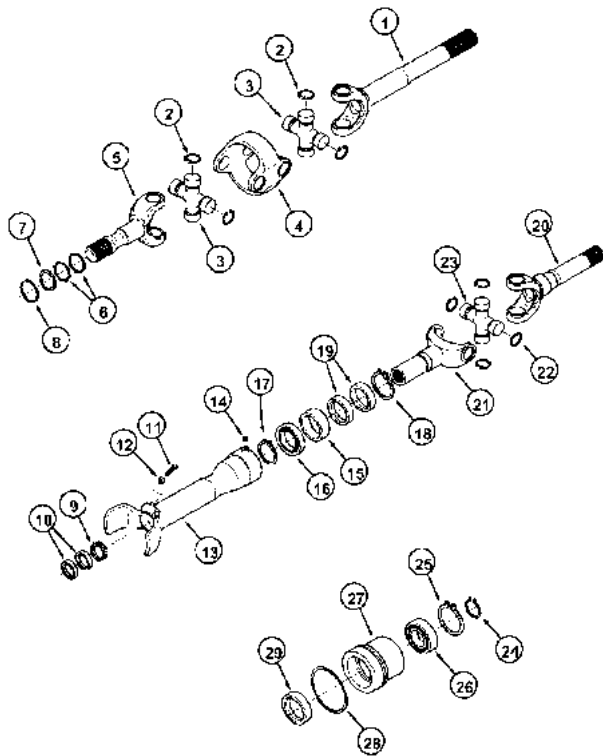
5 - Steering System

5 -
031

FRONT AXLE - DOUBLE COUPLINGS - Suspension Axle - 20.43

XTX Series XTX185, XTX200, XTX215 (2005-2007)

5031



18	406856A1	●	3665697M1 (2)	2	SNAPRING
19	406857A1	●	3665698M1 (4)	4	RING
20	406858A1			2	Joint, Cou
20	406859A1	●	3665700M1 (2)	2	YOKE
21	406862A1			2	BOX
22	406843A1			8	GEAR
23	406844A1	●	3665684M1 (2)	2	SPIDER
24	800-1140			2	RING
25	933154R1	●	800-2180 (2)	2	Ring, Reta
26	700524R91	●	ST215 (2)	2	BEARING
27	406863A1	●	3665704M1 (2)	2	BOX
28	406864A1	●	3665706M1 (2)	2	RING
29	300167A1	●	4213269M1 (2)	2	SEAL

M12

Includes: 2

Includes: 22

M12 x 40

Consists Of: 406842A1,2 - 5

Consists Of: 406862A1,21 - 23

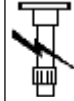
48 x 75 x 17 mm

5 - Steering System

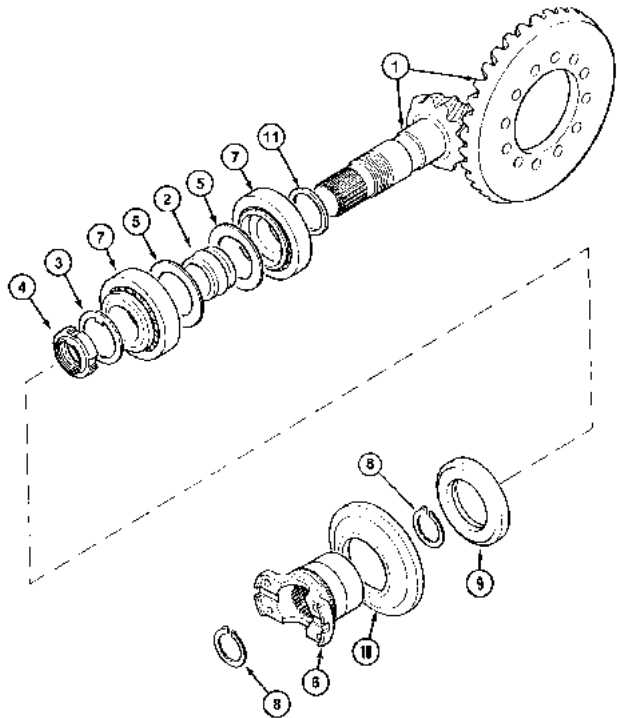
5 -
033

DRIVE BEVEL GEAR - Suspension Axle - 20.43 - Fixed Axle - 20.29, 20.43

XTX Series XTX185, XTX200, XTX215 (2005-2007)



5033



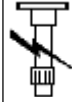
1	247559A1	●	3688487M91 (1)	1	KIT
2	175957A1			1	SPACER
3	N7536	●	3541426M1 (1)	1	NUT
4	K261014	●	3541427M1 (1)	1	NUT
5	1349059C1	●	3541428M1 (2)	2	WASHER
6	257247A1	●	3688489M1 (1)	1	FLANGE
7	K395090	●	3765690M1 (0)	0	Bearing, Ball
7	X1139855			1	BEARING
8	800-1134	●	3688488M1 (2)	2	RING
9	247534A1	●	3665412M1 (1)	1	GASKET
10	81874C1	●	3688490M1 (1)	1	MUFF
11	190506A1			0	SPRAG
11	190508A1			0	SPRAG
11	190509A1			0	SPRAG
11	190510A1			0	SPRAG

5 - Steering System

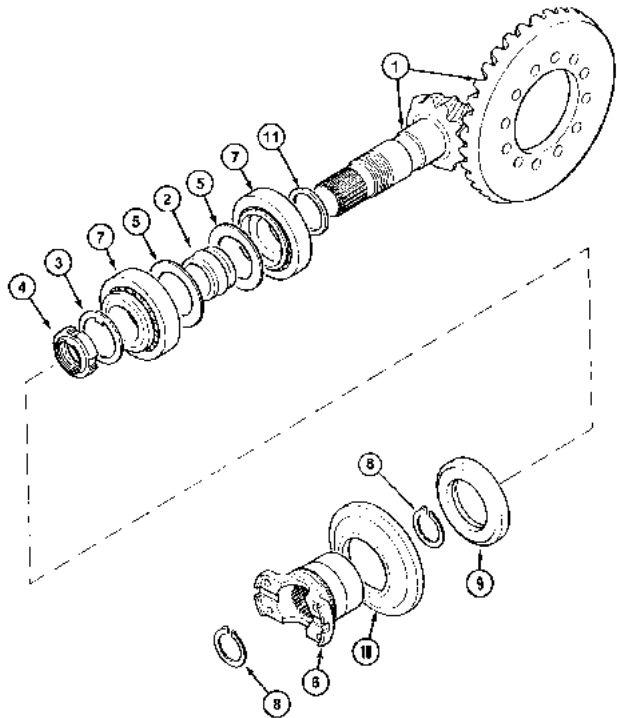
5 -
033

DRIVE BEVEL GEAR - Suspension Axle - 20.43 - Fixed Axle - 20.29, 20.43

XTX Series XTX185, XTX200, XTX215 (2005-2007)



5033



- | | | | |
|----|----------|---|-------|
| 11 | 190511A1 | 0 | SPRAG |
| 11 | 190512A1 | 0 | SPRAG |
| 11 | 190513A1 | 0 | SPRAG |
| 11 | 190514A1 | 0 | SPRAG |
| 11 | 190515A1 | 0 | SPRAG |
| 11 | 190516A1 | 0 | SPRAG |

34 mm

Includes: 2 - 5

Large

Small

2,50 mm

2,60 mm

2,70 mm

2,80 mm

2,90 mm

3,00 mm

3,10 mm

3,20 mm

3,30 mm

3,40 mm

10T/31T

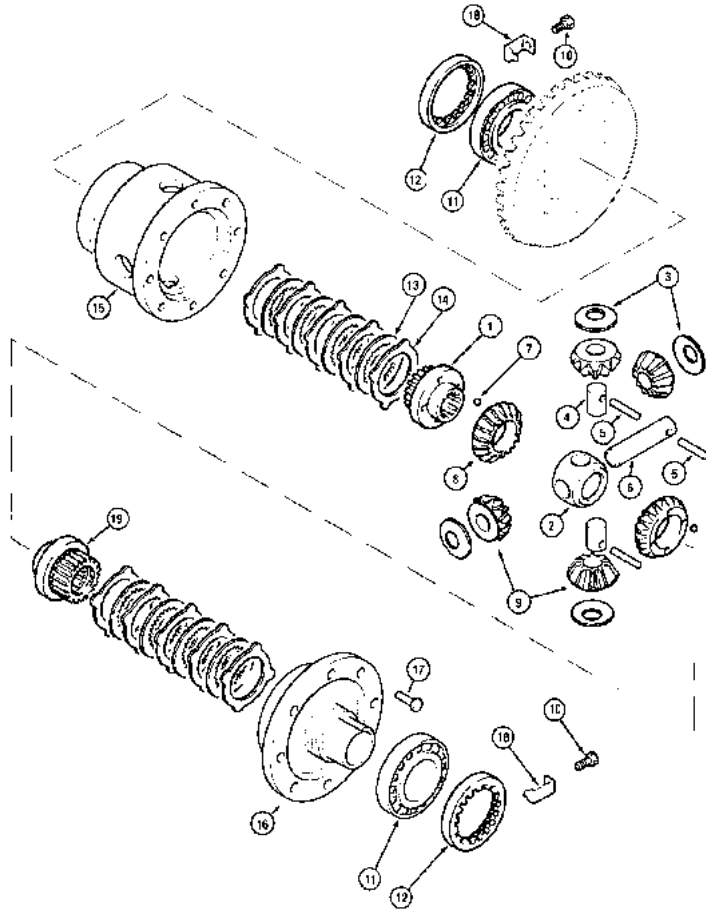
5 - Steering System

5 -
035

DIFFERENTIAL - Suspension Axle - 20.43 - Fixed Axle - 20.29, 20.43

XTX Series XTX185, XTX200, XTX215 (2005-2007)

5035



- | | | | | | |
|----|-----------|---|----------------|----|------------|
| 1 | 247567A1 | ● | 3694344M91 (1) | 1 | KIT |
| 1 | 406839A1 | | | 2 | GEAR |
| 2 | 247568A1 | ● | 3694346M1 (1) | 1 | SPIDER |
| 3 | K395075 | ● | 3541478M1 (4) | 4 | WASHER |
| 4 | 247562A1 | ● | 3665418M1 (2) | 2 | PIN |
| 5 | K965349 | | | 3 | CLEVIS PIN |
| 6 | K395087 | ● | 3665416M1 (1) | 1 | SHAFT |
| 7 | 181139A1 | ● | 3694347M1 (8) | 8 | BALL |
| 8 | NSS | | | 2 | Gear |
| 9 | NSS | | | 4 | Gear |
| 10 | 112486A1 | ● | 3541449M1 (2) | 2 | BOLT |
| 11 | 1966894C1 | ● | 3665422M1 (2) | 2 | BEARING |
| 12 | 1966559C1 | ● | 3541451M1 (2) | 2 | FERRULE |
| 13 | K261647 | ● | 3694420M1 (8) | 8 | PLATE |
| 14 | K261648 | | | 10 | PLATE |
| 15 | 247566A1 | ● | 3694421M1 (1) | 1 | BODY |
| 16 | 247565A1 | ● | 3694422M1 (1) | 1 | MUFF |

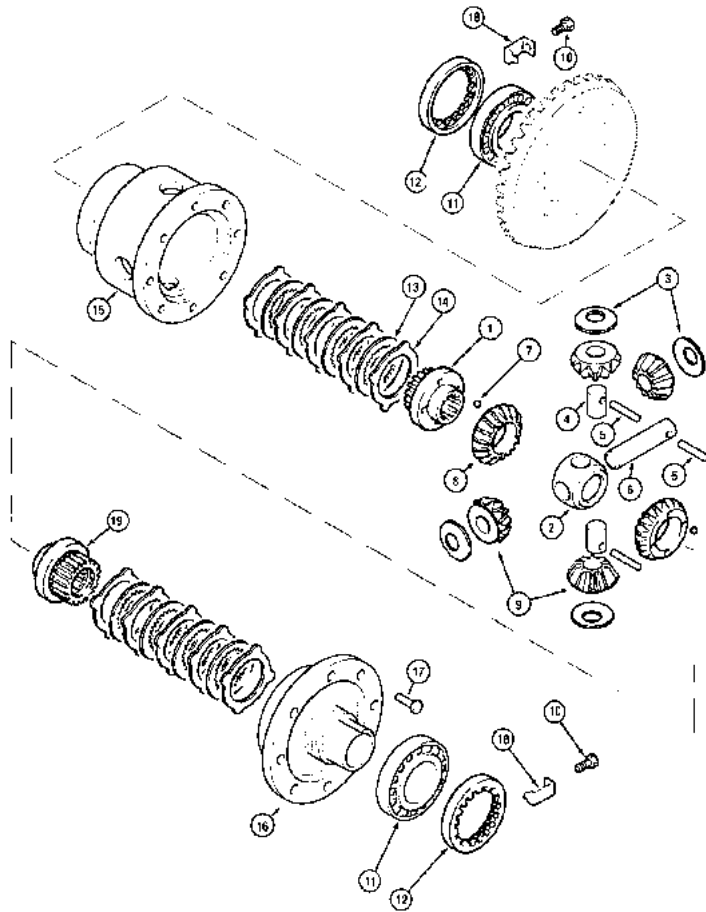
5 - Steering System

5 -
035

DIFFERENTIAL - Suspension Axle - 20.43 - Fixed Axle - 20.29, 20.43

XTX Series XTX185, XTX200, XTX215 (2005-2007)

5035



- 17 251373A1
- 18 247564A1
- 19 406838A1

- 12 BOLT
- 2 LID
- 2 GEAR

Left

Right

M6 x 10

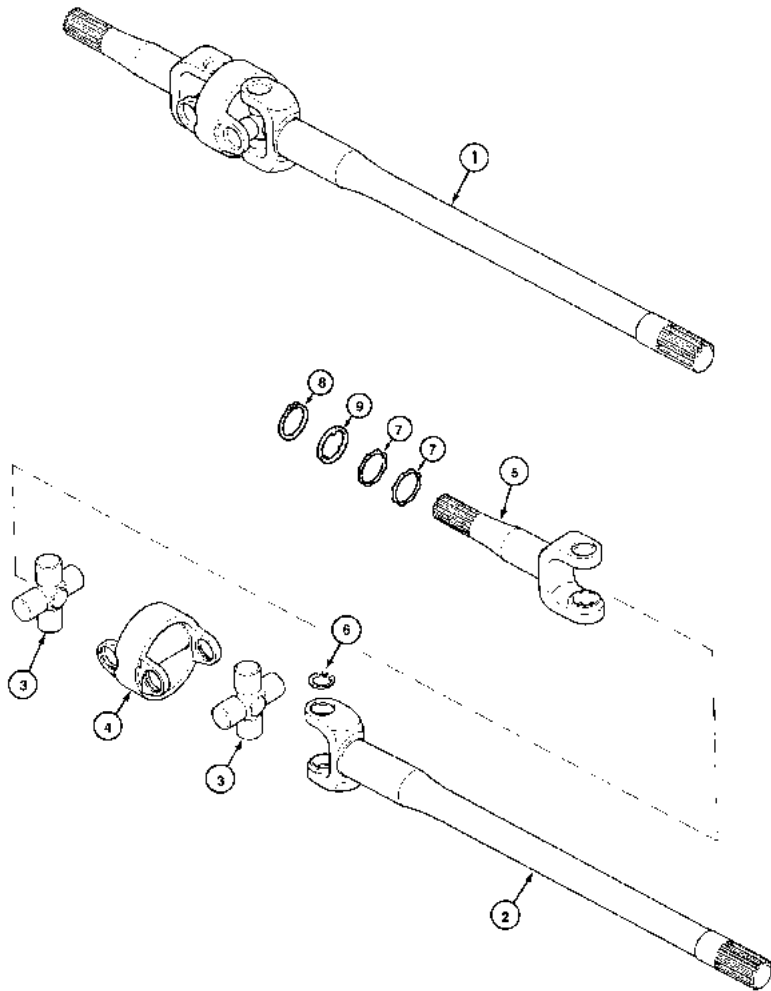
M10 x 30

DIFFERENTIAL

Consists Of: 406839A1,2 - 9,19

XTX Series XTX185, XTX200, XTX215 (2005-2007)

5037



- | | | | | | |
|---|----------|---|----------------|---|------------|
| 1 | 452363A1 | ● | 3694423M91 (2) | 2 | Shaft Assy |
| 2 | 253072A1 | ● | 3694424M1 (1) | 1 | SHAFT |
| 3 | D143004 | ● | 3656982M1 (2) | 2 | SPIDER |
| 4 | 224036A1 | ● | 3656983M1 (1) | 1 | Body |
| 5 | 319766A1 | | | 1 | Shaft |
| 6 | 311447A1 | | | 8 | RING |
| 7 | 300175A2 | | | 2 | DRIVING |
| 8 | 800-5145 | ● | 3694427M1 (1) | 1 | Ring, Reta |
| 9 | 300174A1 | | | 2 | WASHER |

Consists Of: 2 - 6
45 mm
DIFFERENTIAL

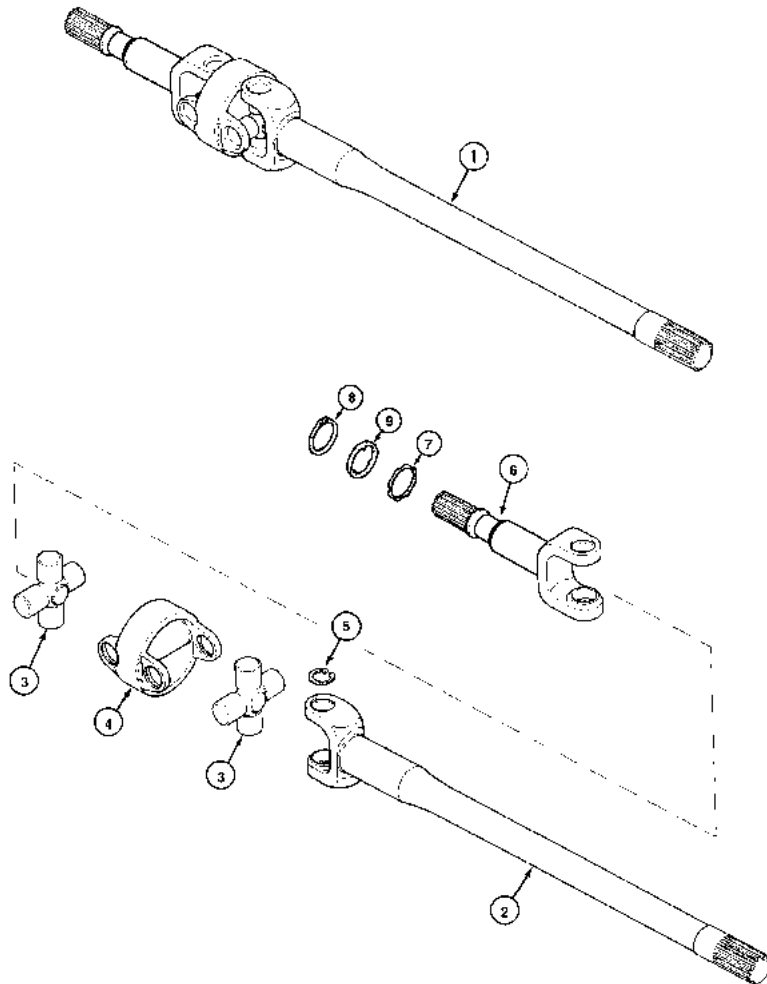
5 - Steering System

5 -
039

DRIVE SHAFT - XTX200, XTX215 - Fixed Axle - 20.43

XTX Series XTX185, XTX200, XTX215 (2005-2007)

5039



- | | | | | | |
|---|----------|---|----------------|---|------------|
| 1 | 702561A1 | ● | 3688493M91 (2) | 2 | Shaft Assy |
| 2 | 702562A1 | ● | 3688494M91 (1) | 1 | FORK |
| 3 | 406844A1 | ● | 3665684M1 (2) | 2 | SPIDER |
| 4 | 702310A1 | ● | 4216237M1 (1) | 1 | BODY |
| 5 | 406843A1 | | | 8 | GEAR |
| 6 | 702564A1 | ● | 3688495M91 (1) | 1 | FORK |
| 7 | 700611A1 | ● | 3673368M1 (2) | 2 | WASHER |
| 8 | 406849A1 | ● | 3665688M1 (1) | 1 | RING |
| 9 | 406848A1 | ● | 3665687M1 (2) | 2 | WASHER |

Consists Of: 2 - 6

DIFFERENTIAL

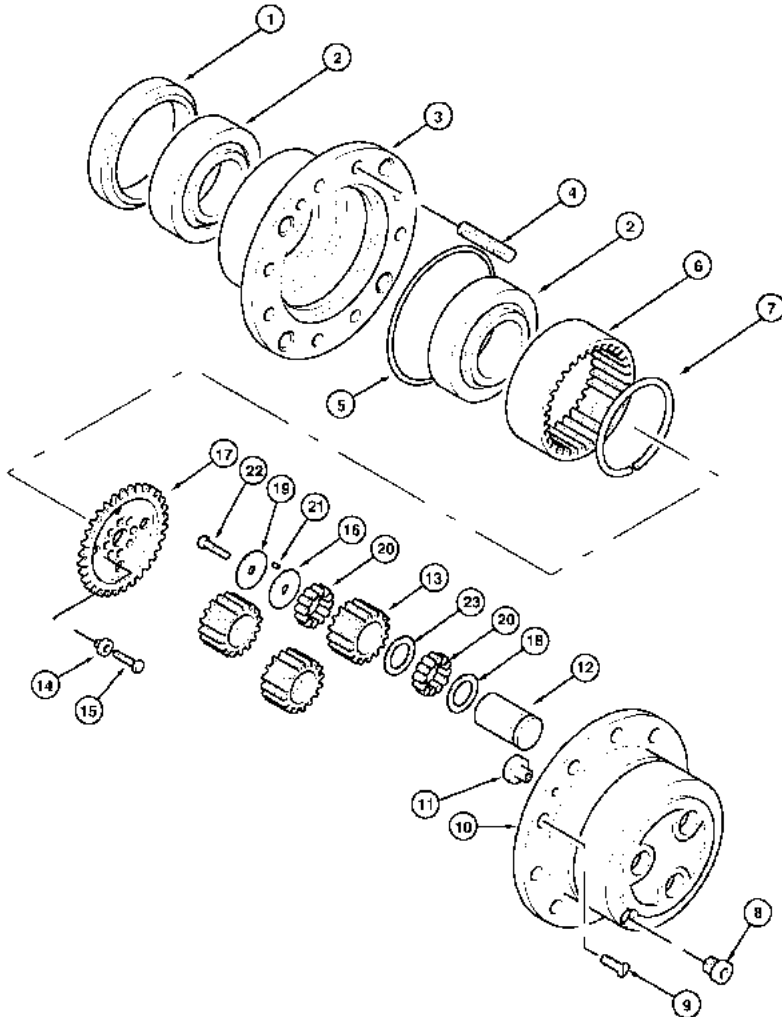
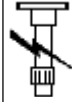
5 - Steering System

5 -
041

HUB PLANETARY DRIVE - Suspension Axle - 20.43 - Fixed Axle - 20.29, 20.43

XTX Series XTX185, XTX200, XTX215 (2005-2007)

5041



1	130182A1	●	6520649M1 (2)	2	RING
1	452140A1	●	4213267M1 (2)	2	SEAL
2	K395101	●	6500147M1 (4)	4	Bearing, Ball
3	406865A1			2	Hub Assy
3	702312A1	●	3688497M91 (2)	2	Hub Assy
4	300165A1	●	3688496M1 (10)	10	STUD
5	Q2930467	●	4216269M1 (2)	2	RING
6	175976A1	●	3688500M1 (2)	2	GEAR
7	175984A1	●	3541504M1 (2)	2	BUSH
8	100557A1	●	3541517M1 (2)	2	PLUG
9	905876R1	●	3010180X1 (4)	4	SCREW
10	292891A1	●	3688533M91 (2)	2	SUPPORT

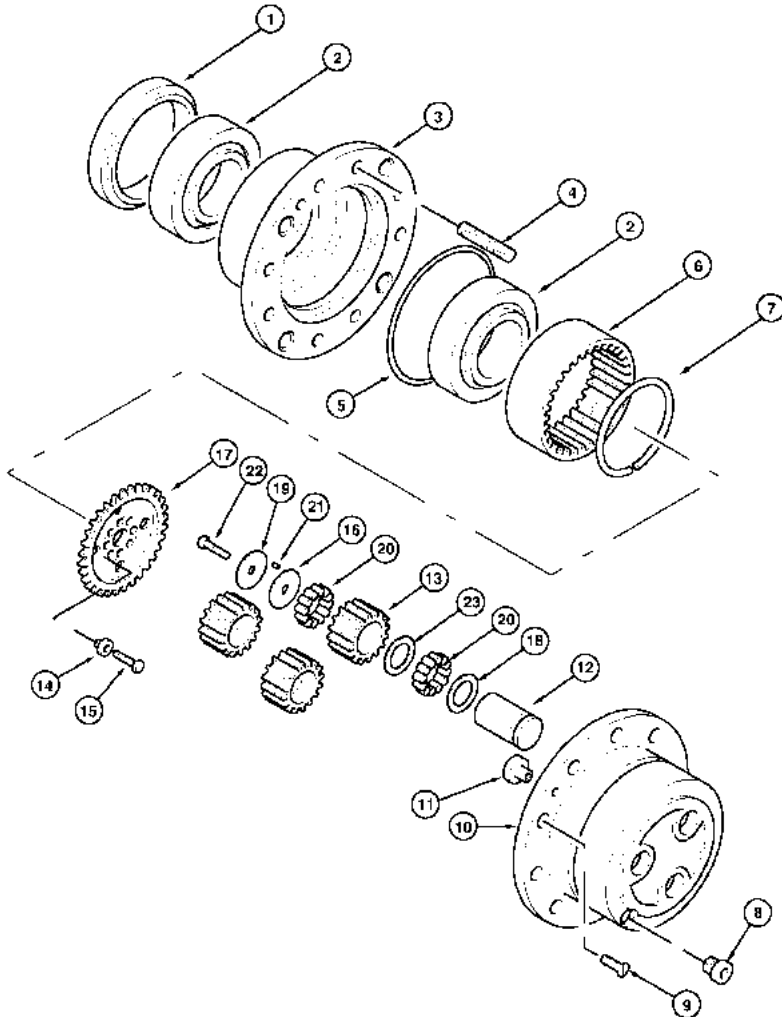
5 - Steering System

5 -
041

HUB PLANETARY DRIVE - Suspension Axle - 20.43 - Fixed Axle - 20.29, 20.43

XTX Series XTX185, XTX200, XTX215 (2005-2007)

5041



- | | | | | |
|----|----------|------------------|----|-------------|
| 10 | 300163A1 | | 2 | Hub Assy |
| 11 | K395093 | ● 3541472M1 (1) | 1 | CLEVIS PIN |
| 12 | NSS | | 3 | Pin |
| 13 | 175979A1 | ● 3665711M1 (6) | 6 | PINION |
| 13 | 292894A1 | ● 3688540M1 (6) | 6 | GEAR |
| 14 | 107071A1 | ● 3541512M1 (16) | 16 | BUSH |
| 15 | K395131 | ● 3541514M1 (16) | 16 | BOLT |
| 16 | 175980A1 | ● 3541522M1 (6) | 6 | WASHER |
| 16 | 292898A1 | ● 3688539M1 (6) | 6 | LOCK WASHER |

Includes: 4
M8 x 20; 10,9
31T
Includes: 11,12
180mm O.D.
77T
176mm O.D.
20 mm OD
Axle: 20.29
Axle: 20.43
CONTINUED

B

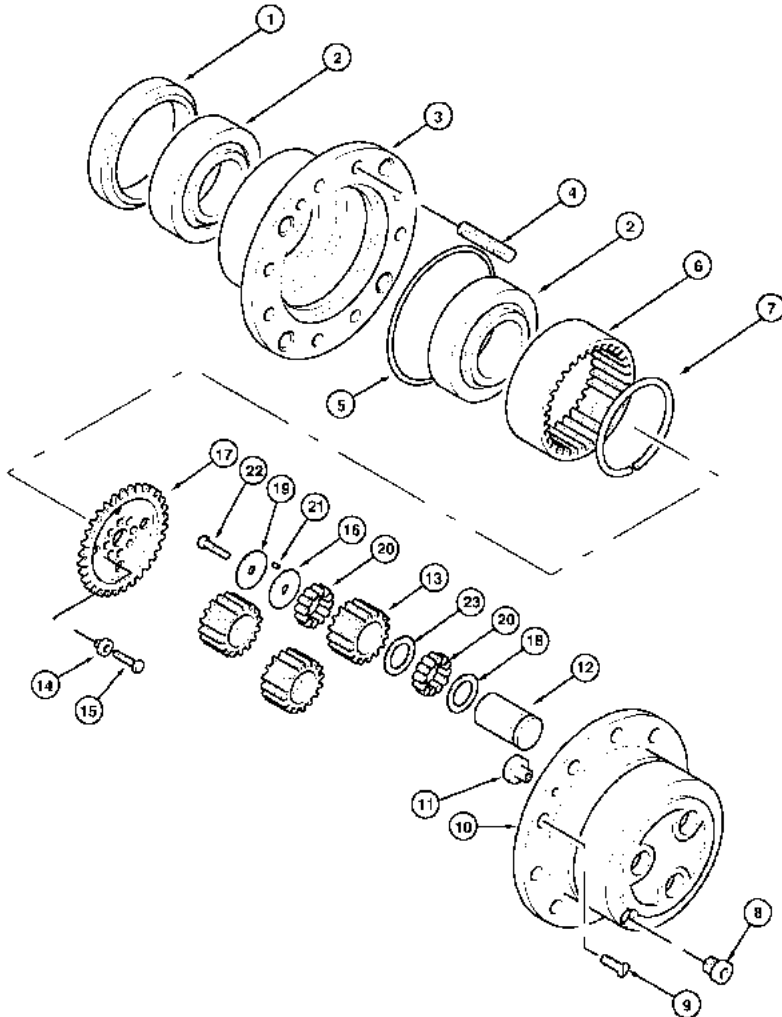
5 - Steering System

5 -
043

HUB PLANETARY DRIVE - Suspension Axle - 20.43 - Fixed Axle - 20.29, 20.43

XTX Series XTX185, XTX200, XTX215 (2005-2007)

5043



17	310492A1	●	3688499M1 (2)	2	GEAR
18	175989A1	●	3541519M1 (6)	6	WASHER
18	292899A1	●	3688536M1 (6)	6	LOCK WASHER
19	175990A1	●	3541523M1 (6)	6	WASHER
19	292900A1	●	3688537M1 (6)	6	LOCK WASHER
20	175978A1	●	3541518M1 (34)	34	KIT
20	292893A1	●	3688535M1 (38)	38	NEEDLE
21	247550A1	●	3541540M91 (6)	6	BEARING
22	175982A1	●	3541520M1 (6)	6	BOLT
23	292901A1	●	3688534M1 (6)	6	LOCK WASHER

Set Of: 10

M10 x 50

Axle: 20.29

Axle: 20.43

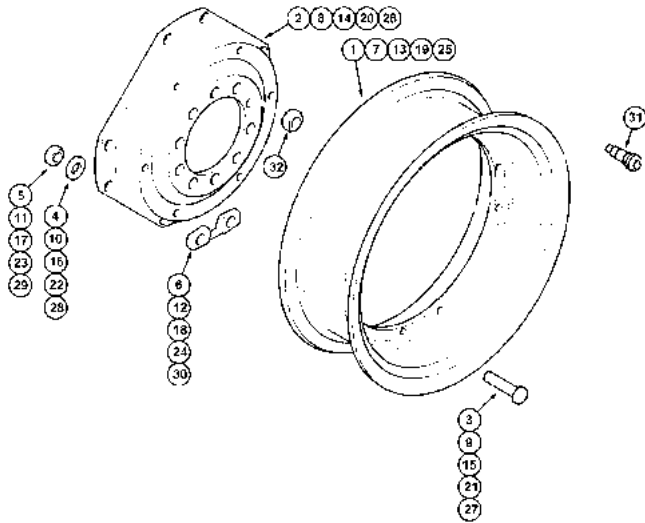
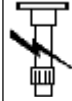
5 - Steering System

5 -
045

FRONT WHEELS - 4WD - Silver

XTX Series XTX185, XTX200, XTX215 (2005-2007)

5045



- | | | | | |
|----|-----------|-----------------|---|--------|
| 1 | 300264A1 | | 1 | RIM |
| 2 | 300260A1 | | 1 | DISC |
| 3 | 228125A1 | | 8 | BOLT |
| 4 | 1335135C1 | ● 89746C2 (8) | 8 | Washer |
| 5 | 228127A1 | ● 3404233R2 (8) | 8 | NUT |
| 6 | 304502A2 | | 4 | SPACER |
| 7 | 300263A1 | | 1 | RIM |
| 8 | 300259A1 | | 1 | DISC |
| 9 | 228125A1 | | 8 | BOLT |
| 10 | 1335135C1 | ● 89746C2 (8) | 8 | Washer |
| 11 | 228127A1 | ● 3404233R2 (8) | 8 | NUT |
| 12 | 304502A2 | | 4 | SPACER |
| 13 | 300262A1 | | 1 | RIM |
| 14 | 300259A1 | | 1 | DISC |
| 15 | 228125A1 | | 8 | BOLT |
| 16 | 1335135C1 | ● 89746C2 (8) | 8 | Washer |
| 17 | 228127A1 | ● 3404233R2 (8) | 8 | NUT |

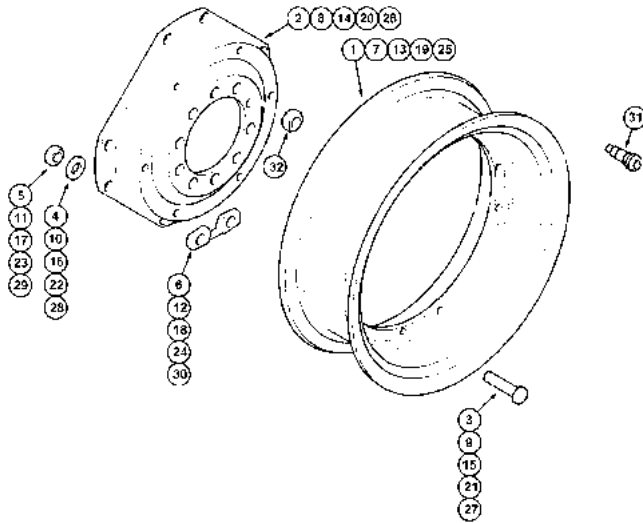
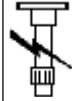
5 - Steering System

5 -
045

FRONT WHEELS - 4WD - Silver

XTX Series XTX185, XTX200, XTX215 (2005-2007)

5045



- | | | | | |
|----|-----------|------------------|----|-------------|
| 18 | 304502A2 | | 4 | SPACER |
| 19 | 245738A1 | | 1 | Rim Assy |
| 20 | 328070A1 | | 1 | Disc, Wheel |
| 21 | 228125A1 | | 8 | BOLT |
| 22 | 1335135C1 | ● 89746C2 (8) | 8 | Washer |
| 23 | 228127A1 | ● 3404233R2 (8) | 8 | NUT |
| 24 | 250952A1 | ● 6514298M1 (8) | 4 | DRIVING |
| 25 | 300261A1 | | 1 | HOOP |
| 26 | 300260A1 | | 1 | DISC |
| 27 | 228125A1 | | 8 | BOLT |
| 28 | 1335135C1 | ● 89746C2 (8) | 8 | Washer |
| 29 | 228127A1 | ● 3404233R2 (8) | 8 | NUT |
| 30 | 304502A2 | | 4 | SPACER |
| 31 | A20058 | ● 86507333 (2) | 2 | VALVE |
| 32 | 98783C1 | ● 3684473X1 (20) | 20 | NUT |

M16

W12X28

DW12x30

DW15Lx30

M20

Tubeless Tyres

DW15Lx28

17 x 33 x 5 mm

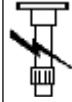
DW10x34

5 - Steering System

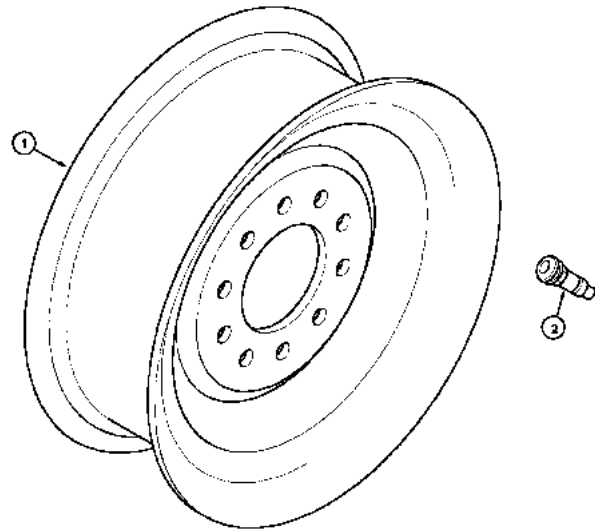
5 -
047

FRONT WHEELS

XTX Series XTX185, XTX200, XTX215 (2005-2007)



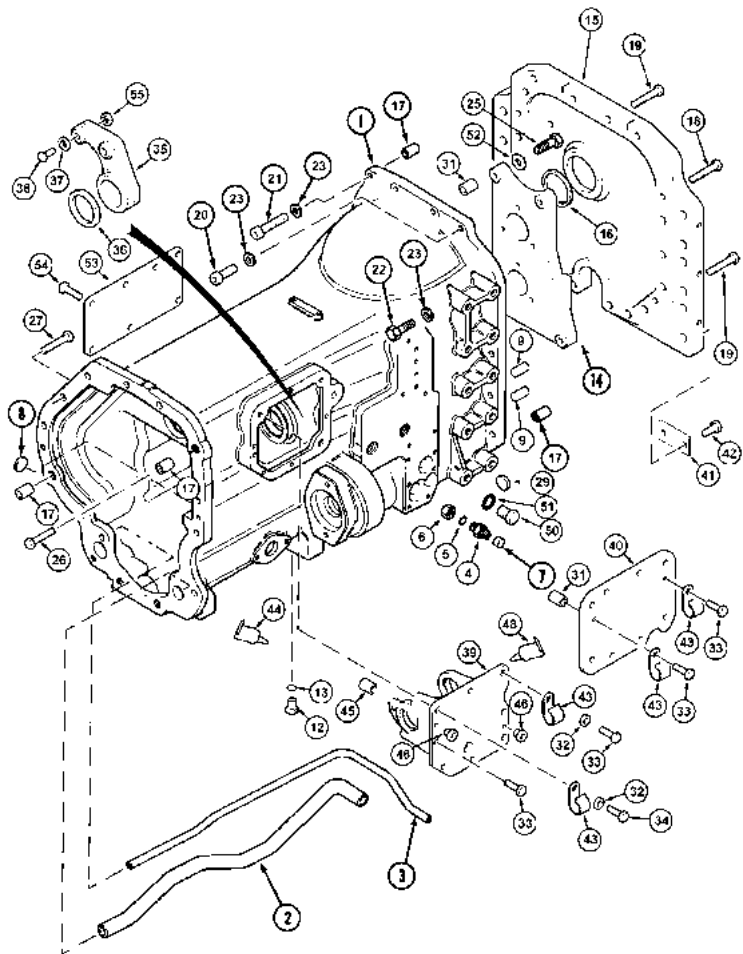
5047



- | | | | | |
|---|----------|----------------|---|------------|
| 1 | 713055A1 | | 2 | Wheel Assy |
| 1 | 713057A1 | | 2 | Wheel Assy |
| 1 | 713060A1 | | 2 | Wheel Assy |
| 2 | A20058 | ● 86507333 (2) | 2 | VALVE |
| | | DW15L x 28 | | |
| | | DW20A x 28 | | |
| | | DW15L x 30 | | |

XTX Series XTX185, XTX200, XTX215 (2005-2007)

6003



- | | | | | | |
|----|-----------|---|---------------|---|------------|
| 1 | 702959A1 | ● | 715055A2 (1) | 1 | HOUSING |
| 2 | 710103A1 | ● | 710103A2 (1) | 1 | PIPE |
| 3 | A188230 | ● | 711750A1 (1) | 1 | PIPE |
| 4 | 1995465C1 | | | 1 | UNION |
| 5 | 237-6008 | | | 1 | INSTANT GA |
| 6 | 218-1255 | | | 1 | NUT |
| 7 | 353-364 | | | 1 | CAP |
| 8 | 41-1036 | | | 1 | PADDING |
| 9 | 1345888C1 | ● | 1345888C2 (2) | 2 | PLUG |
| 12 | 218-5210 | | | 1 | PLUG |
| 13 | 237-6008 | | | 1 | INSTANT GA |
| 14 | 600072A3 | | | 1 | Carrier, B |
| 15 | 704425A1 | | | 1 | PLATE |
| 16 | L126169 | | | 1 | GASKET |
| 17 | A175944 | | | 4 | LINER |
| 18 | 828-12070 | | | 2 | BOLT |
| 19 | 828-16090 | | | 8 | BOLT |
| 20 | 863-16070 | ● | N.L.A. (4) | 4 | BOLT |

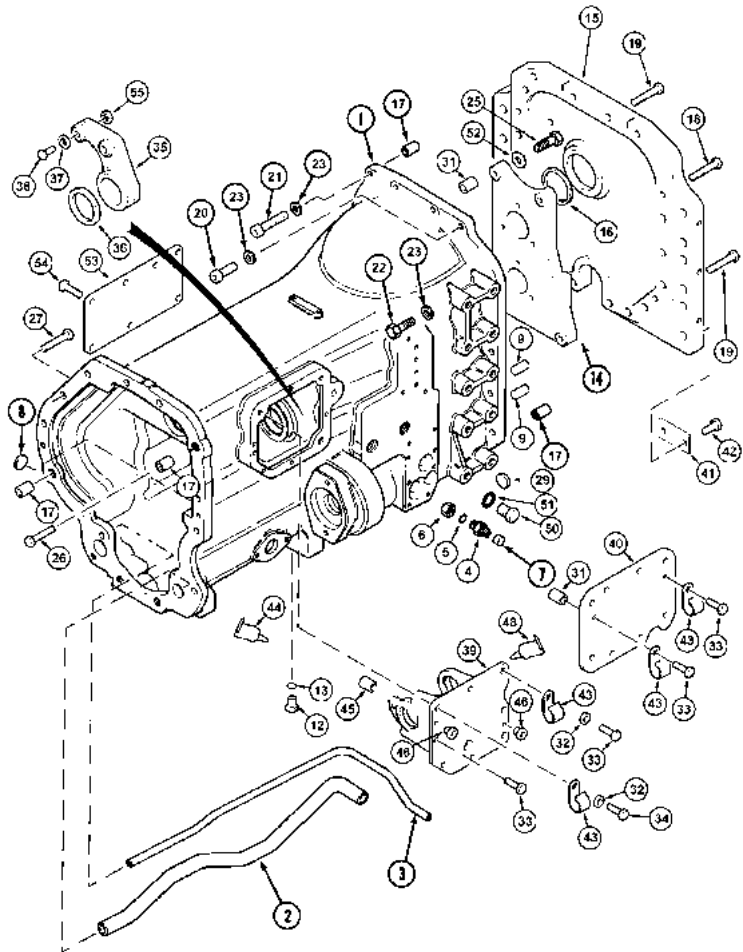
6 - Power Train

6 -
003

TRANSMISSION HOUSING AND BEARING CARRIER

XTX Series XTX185, XTX200, XTX215 (2005-2007)

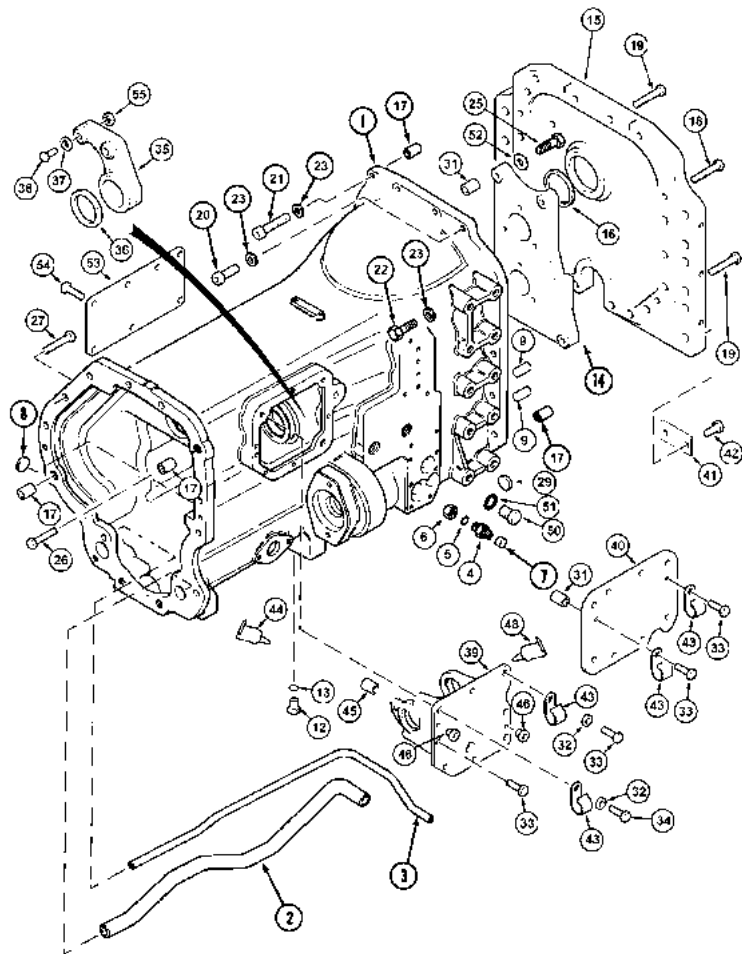
6003



- | | | | |
|----|------------|---|----------|
| 21 | 863-16070 | ● N.L.A. (4) | 4 BOLT |
| 22 | 828-16070 | | 6 BOLT |
| 23 | 896-12016 | | 8 WASHER |
| 25 | 828-12080 | | 4 SCREW |
| 26 | 828-16060 | | 5 BOLT |
| 27 | 628-16050 | | 0 BOLT |
| 29 | A175414 | | 1 PLUG |
| 31 | A50011 | | 4 LINER |
| 32 | 896-12010 | | 4 WASHER |
| 33 | 628-10030 | | 8 BOLT |
| 34 | 828-10045 | | 2 SCREW |
| 35 | 411359A1 | ● 3015178X1 (2)
715785A1 (2)
715786A2 (1) | 1 PADDLE |
| 36 | 3232189R91 | | 1 ROLL |
| 37 | 896-16012 | | 2 WASHER |
| 38 | 828-12060 | | 2 BOLT |

XTX Series XTX185, XTX200, XTX215 (2005-2007)

6003



- 11 x 21 x 2,5 mm
- Includes: 13
- 41/64 ID x 3/32
- 3/4
- 17,5 x 30 x 4 mm
- With Creep Speed
- 3/4 Or
- 2-1/4 in dia
- 8 mm
- M12 x 60; 10,9
- Includes: 2 - 9
- M12 x 70; 10,9
- 13,5 x 28 x 4 mm
- M10 x 30; 10,9
- 1/2 x 3/4 in
- M10 x 45; 10,9
- M16 x 70; 10,9
- M16 x 60; 10,9
- M16 x 50; 10,9
- M16 x 90; 10,9
- M12 x 80; 10,9
- M16 x 70; 12,9
- CONTINUED

B

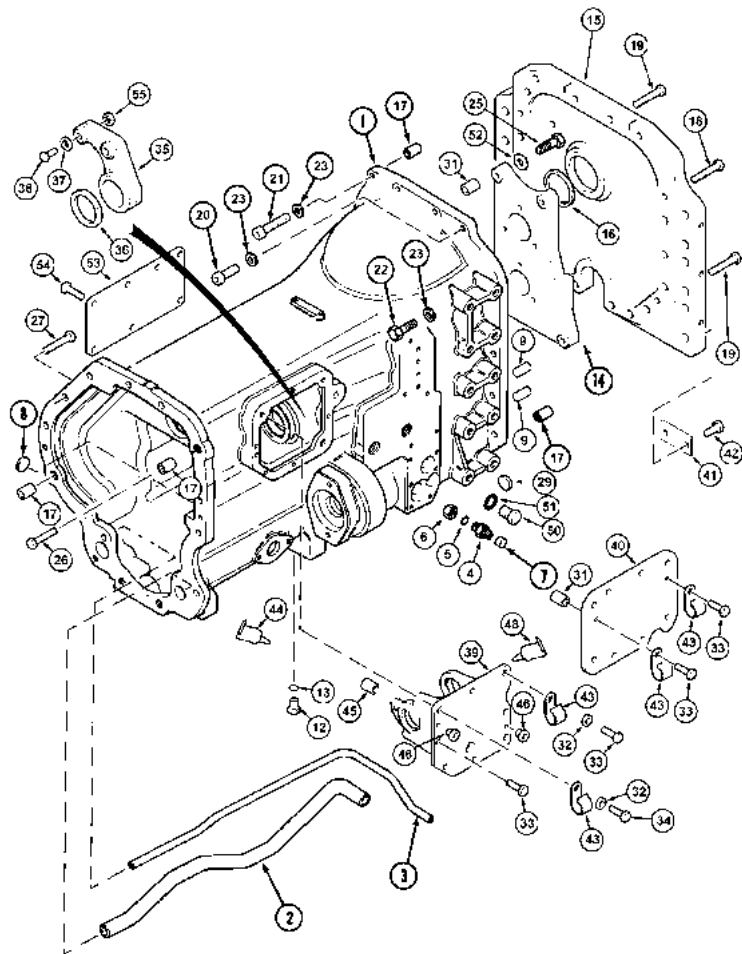
6 - Power Train

6 -
005

TRANSMISSION HOUSING AND BEARING CARRIER

XTX Series XTX185, XTX200, XTX215 (2005-2007)

6005



- | | | | |
|----|--------------|---|---------|
| 39 | TBA | 1 | Cover |
| 40 | 705706A1 | 1 | PLATE |
| 41 | NSS | 1 | Plate |
| 42 | 301-1434 | 2 | SCREW |
| 43 | 516-23158 | 2 | CLAMP |
| 44 | B17501 | 0 | LOCTITE |
| | ● B17555 (0) | | |
| 45 | A50011 | 2 | LINER |
| 46 | 716493R2 | 2 | PLUG |
| 48 | 345-173 | 0 | LOCTITE |
| 50 | 218-5158 | 2 | Plug |
| 51 | 237-6012 | 1 | O-Ring |
| 52 | 896-12012 | 4 | WASHER |
| 53 | 706906A1 | 1 | PLATE |
| 54 | 628-12025 | 7 | BOLT |
| 55 | 832-10412 | 2 | NUT FNS |

M12; 8
 With Creep Speed
 6 ml
 13,5 x 24 x 3 mm
 59/64 ID x 7/64
 Without Creep Speed
 1/2 x 5/8
 Includes: 51
 8.6 mm dia
 M12 x 25; 10.9
 1-1/16 Or
 6x1/4

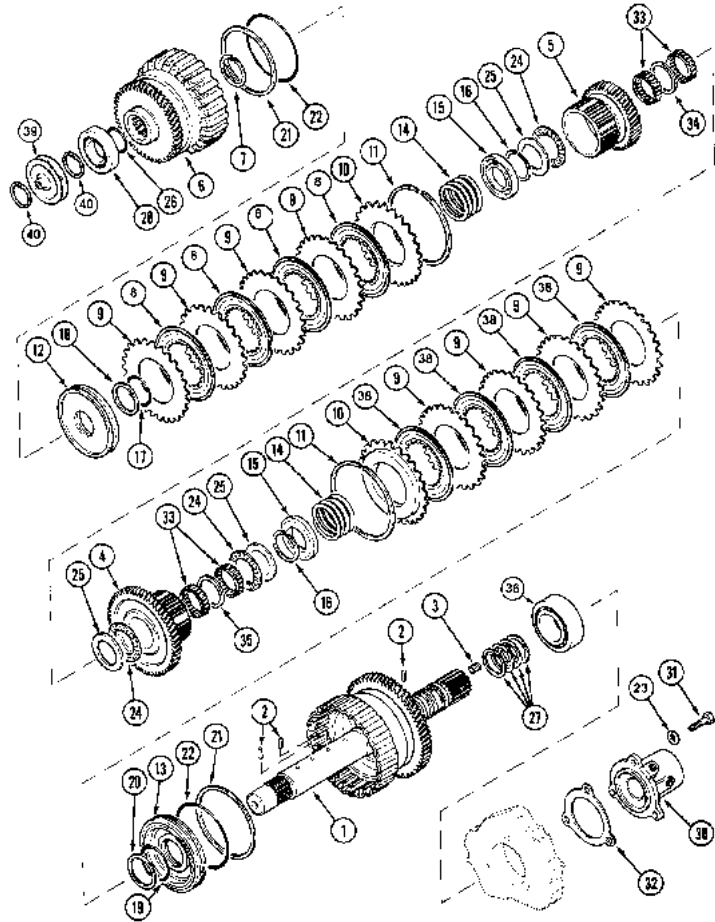
6 - Power Train

6 -
007

SPEED TRANSMISSION - INPUT SHAFT

XTX Series XTX185, XTX200, XTX215 (2005-2007)

6007



- | | | | | | |
|----|-----------|---|---------------|----|--------|
| 1 | 702908A1 | ● | 702908A2R (1) | 1 | SHAFT |
| 2 | 38-1804 | | | 3 | PIN |
| 3 | 1345887C1 | ● | 1345887C2 (3) | 3 | PLUG |
| 4 | 702889A1 | | | 1 | PINION |
| 5 | 702891A1 | | | 1 | PINION |
| 6 | 702892A2 | | | 1 | GEAR |
| 7 | 100-11175 | | | 1 | RING |
| 8 | 1997129C1 | | | 5 | LID |
| 9 | A175806 | | | 10 | PLATE |
| 10 | 1997122C1 | | | 2 | PLATE |
| 11 | A158227 | | | 2 | O RING |
| 12 | A159239 | | | 1 | PISTON |
| 13 | A159292 | | | 1 | PISTON |

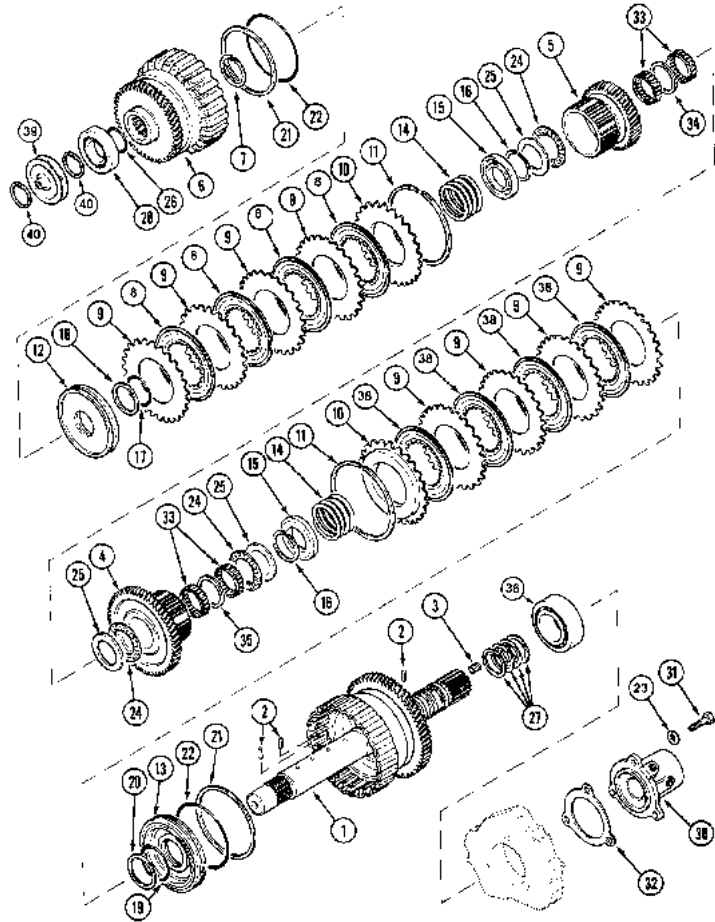
6 - Power Train

6 -
007

SPEED TRANSMISSION - INPUT SHAFT

XTX Series XTX185, XTX200, XTX215 (2005-2007)

6007



- | | | | |
|----|-----------|---|--------------|
| 14 | A188080 | 2 | SPRING |
| 15 | A188044 | 2 | RETAINER |
| 16 | 100-16175 | 2 | RING |
| 17 | 238-7135 | 1 | INSTANT GA |
| 18 | A159295 | 1 | GASKET |
| 19 | 238-7137 | 1 | INSTANT GA |
| 20 | A159297 | 1 | GASKET |
| 21 | A158051 | 2 | GASKET |
| 22 | 238-7156 | 2 | INSTANT GA |
| 23 | 892-10010 | 3 | Washer, Lock |
| 24 | A183452 | 3 | PLATE |
| 25 | A188192 | 3 | WASHER |
| 26 | 238-5324 | 1 | INSTANT GA |
| 27 | 1995100C1 | 4 | BUSH |
| 28 | 708458A1 | 1 | BEARING |

segue

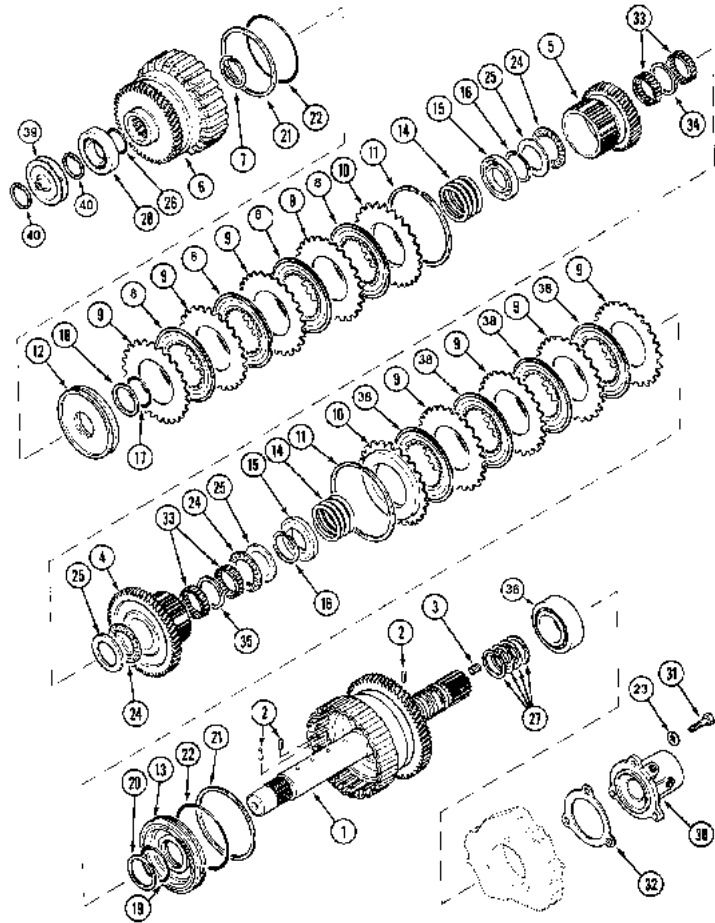
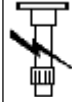
6 - Power Train

6 -
007

SPEED TRANSMISSION - INPUT SHAFT

XTX Series XTX185, XTX200, XTX215 (2005-2007)

6007



- M10
- Includes: 2,3
- INNER
- OUTER
- 1st Speed
- 2nd Speed
- Drive
- 3rd Speed
- 45T
- 2-1/16 ID x 3/32
- 1/8 x 1/4 in
- 4-1/4 ID x 3/32
- 40T
- 1-15/16 x 2-1/8
- No. 75
- 1-3/8 ID x 3/16
- 121.8 x 20.65 mm
- 2nd Gear
- 9 mm
- 49T
- Use With: C1

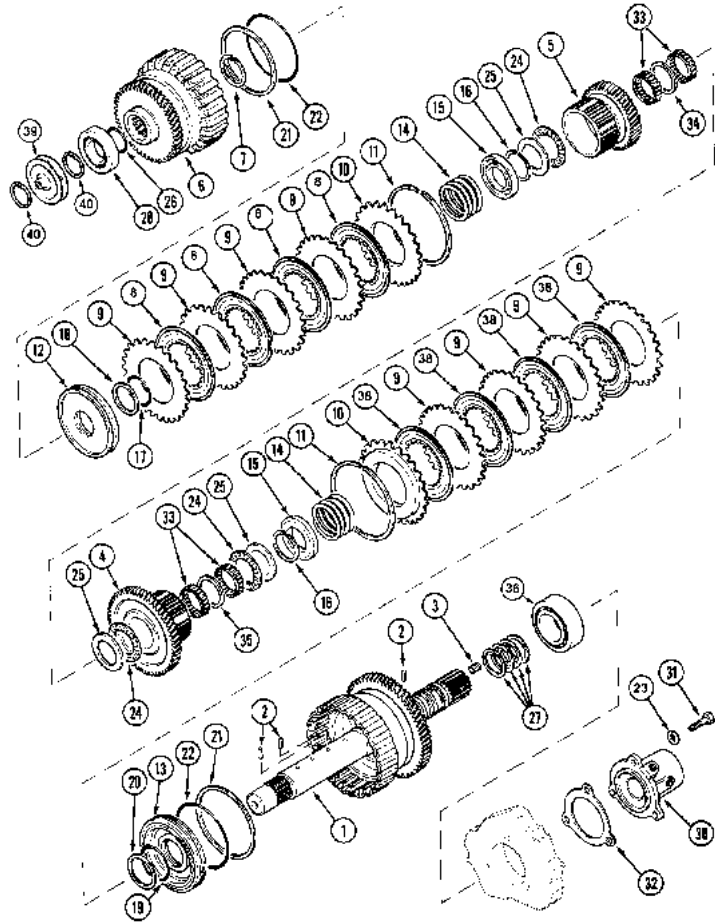
6 - Power Train

6 -
009

SPEED TRANSMISSION - INPUT SHAFT

XTX Series XTX185, XTX200, XTX215 (2005-2007)

6009



- | | | | |
|-----|-----------|---|--------------|
| 30 | 600073A3 | 1 | Hub |
| 31 | 866-10035 | 3 | BOLT |
| 32 | 600358A1 | 0 | SHIM |
| 32 | 600359A1 | 0 | SHIM |
| 32 | 600360A1 | 0 | SHIM |
| 32 | 600361A1 | 0 | SHIM |
| 33 | A178460 | 4 | ROLL |
| 34 | 228800A1 | 1 | RING |
| 35 | 228801A1 | 1 | RING |
| 36 | 708459A1 | 1 | Bearing Assy |
| 38 | 245297A1 | 5 | LID |
| 39 | 702873A1 | 1 | CHOKE |
| 40 | 800-2180 | 2 | RING |
| 200 | 100-21300 | 2 | RING |

PLASTIC

No. 80

M10 x 35; 12,9

0,076 mm

0,127 mm

0,254 mm

0,635 mm

Hardened

Use With: C3

NOT ILLUSTRATED

A

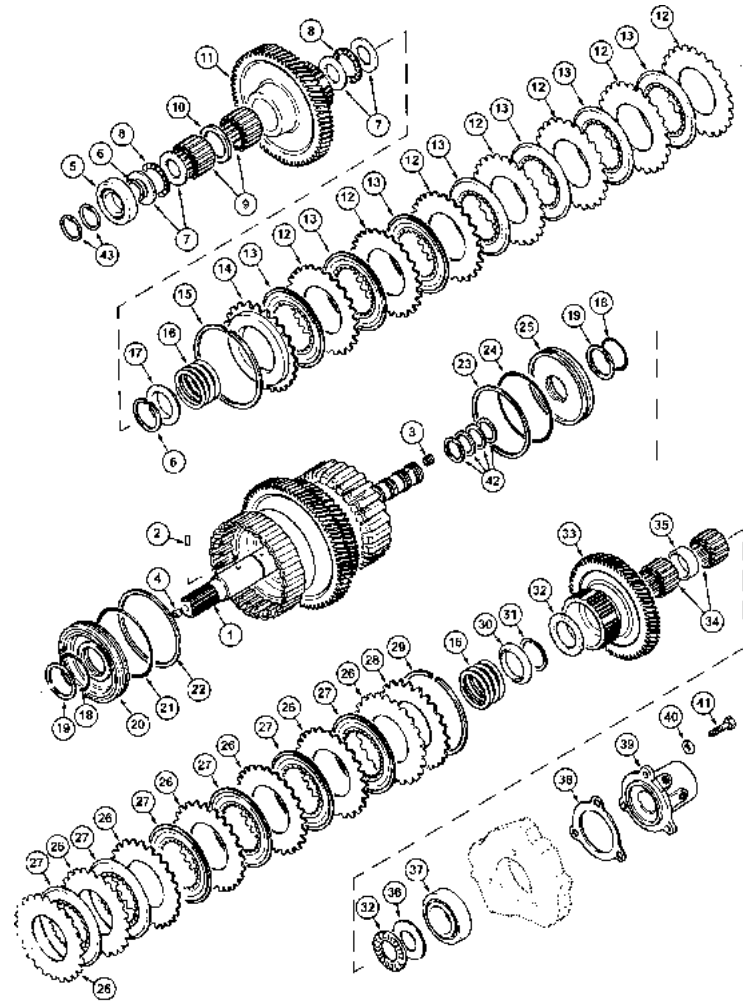
6 - Power Train

6 -
011

SPEED TRANSMISSION - DROP SHAFT

XTX Series XTX185, XTX200, XTX215 (2005-2007)

6011



- | | | | | | |
|----|-----------|---|---------------|---|------------|
| 1 | 702910A1 | ● | 702910A2R (1) | 1 | SHAFT |
| 2 | 38-1804 | | | 3 | PIN |
| 3 | 1345887C1 | ● | 1345887C2 (3) | 3 | PLUG |
| 4 | 877-31616 | | | 1 | SETSCREW |
| 5 | 708460A1 | | | 1 | CONE |
| 6 | 800-5150 | | | 2 | RING |
| 7 | A42844 | | | 4 | WASHER |
| 8 | 584268R91 | | | 2 | ROLL |
| 9 | 610828C91 | | | 2 | ROLL |
| 10 | 228802A1 | | | 1 | DRIVING |
| 11 | 702893A2 | | | 1 | GEAR |
| 12 | 345335A2 | | | 7 | PLATE |
| 13 | 345334A1 | ● | 716556A1 (7) | 7 | PLATE |
| 14 | 345336A1 | | | 1 | PLATE |
| 15 | 345337A1 | | | 1 | RING |
| 16 | 228833A1 | | | 2 | SPRING |
| 17 | 232867A1 | | | 1 | RETAINER |
| 18 | 238-7141 | | | 2 | INSTANT GA |
| 19 | 235660A1 | | | 2 | GASKET |

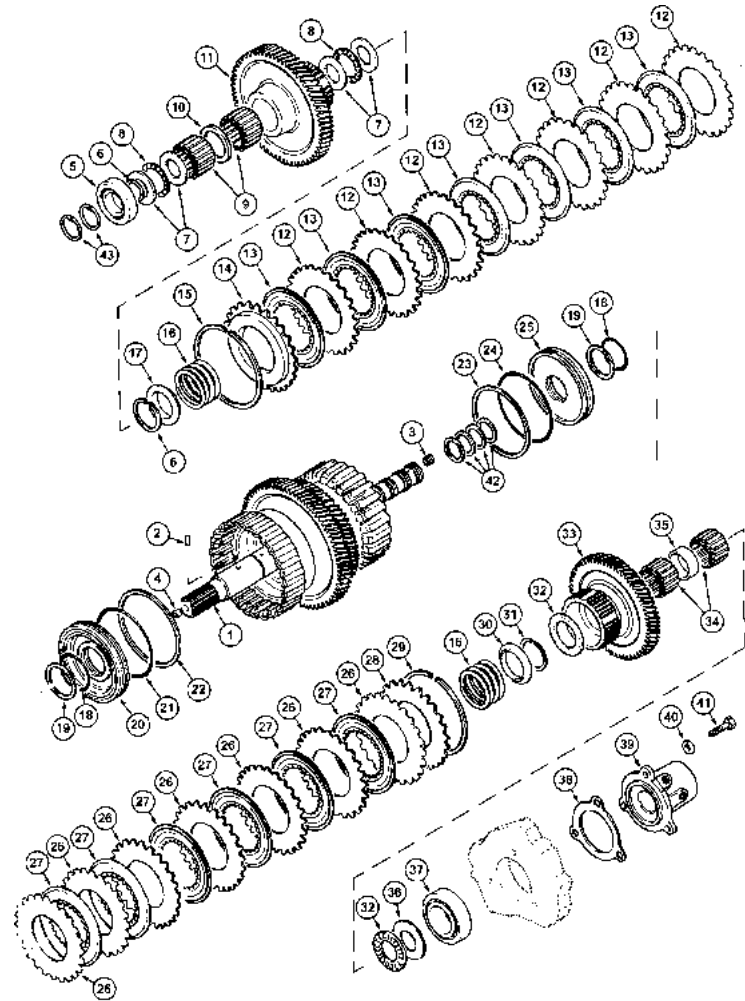
6 - Power Train

6 -
011

SPEED TRANSMISSION - DROP SHAFT

XTX Series XTX185, XTX200, XTX215 (2005-2007)

6011



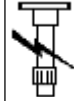
- | | | | |
|----|-----------|---|--------------|
| 20 | 345005A1 | 1 | PISTON |
| 21 | 238-7158 | 1 | O RING |
| 22 | 329896A1 | 1 | GASKET |
| 23 | A158051 | 1 | GASKET |
| 24 | 238-7156 | 1 | INSTANT GA |
| 25 | 228799A1 | 1 | PISTON |
| 26 | A175806 | 7 | PLATE |
| 27 | 1997129C1 | 6 | LID |
| 28 | 1997122C1 | 1 | PLATE |
| 29 | A158227 | 1 | O RING |
| 30 | 228805A1 | 1 | RETAINER |
| 31 | 800-5148 | 1 | RING |
| 32 | 191431A1 | 2 | PLATE |
| 33 | 702888A1 | 1 | PINION |
| 34 | 228804A1 | 2 | ROLL |
| 35 | 708901A1 | 1 | SPACER |
| 36 | 600346A1 | 1 | WASHER |
| 37 | 708461A1 | 1 | Bearing Assy |

6 - Power Train

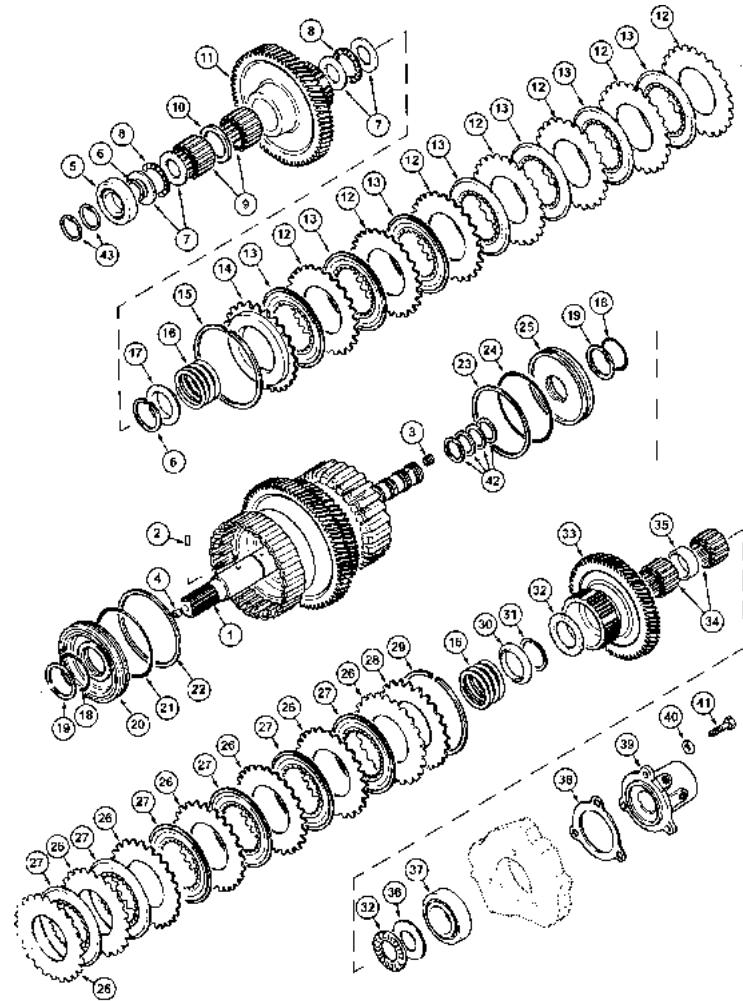
6 -
011

SPEED TRANSMISSION - DROP SHAFT

XTX Series XTX185, XTX200, XTX215 (2005-2007)



6011



Includes: 2,3,4
2nd Speed
4th Speed
Drive
1/8 x 1/4 in
4-1/4 ID x 3/32
2-5/16 x 2-1/2
Drop
9 mm
70T
60T
3 x 1/4 in
M16 x 16
CONTINUED

B

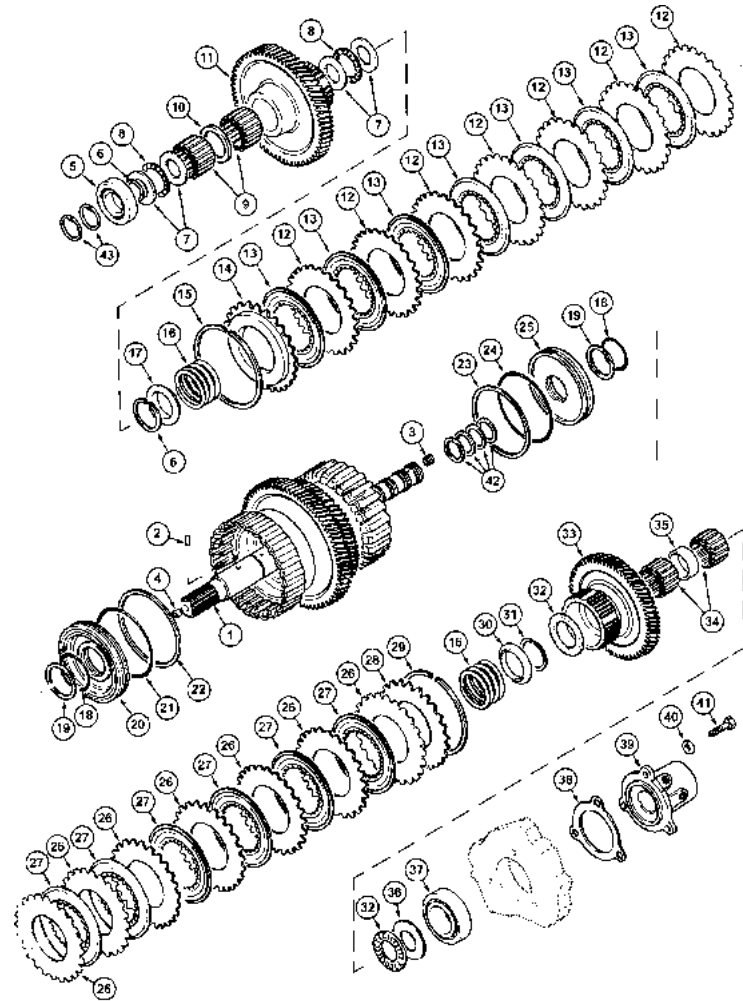
6 - Power Train

6 -
013

SPEED TRANSMISSION - DROP SHAFT

XTX Series XTX185, XTX200, XTX215 (2005-2007)

6013



- | | | | |
|----|-----------|---|--------------|
| 38 | 600362A1 | 0 | SHIM |
| 38 | 600363A1 | 0 | SHIM |
| 38 | 600364A1 | 0 | SHIM |
| 38 | 600365A1 | 0 | SHIM |
| 39 | 600075A3 | 1 | Hub |
| 40 | 892-10010 | 3 | Washer, Lock |
| 41 | 866-10035 | 3 | BOLT |
| 42 | 716576A1 | 4 | GASKET |
| 43 | 800-2190 | 2 | RING |

M10
90 mm
M10 x 35; 12,9
0,127 mm
0,254 mm
0,635 mm
0,0762 mm

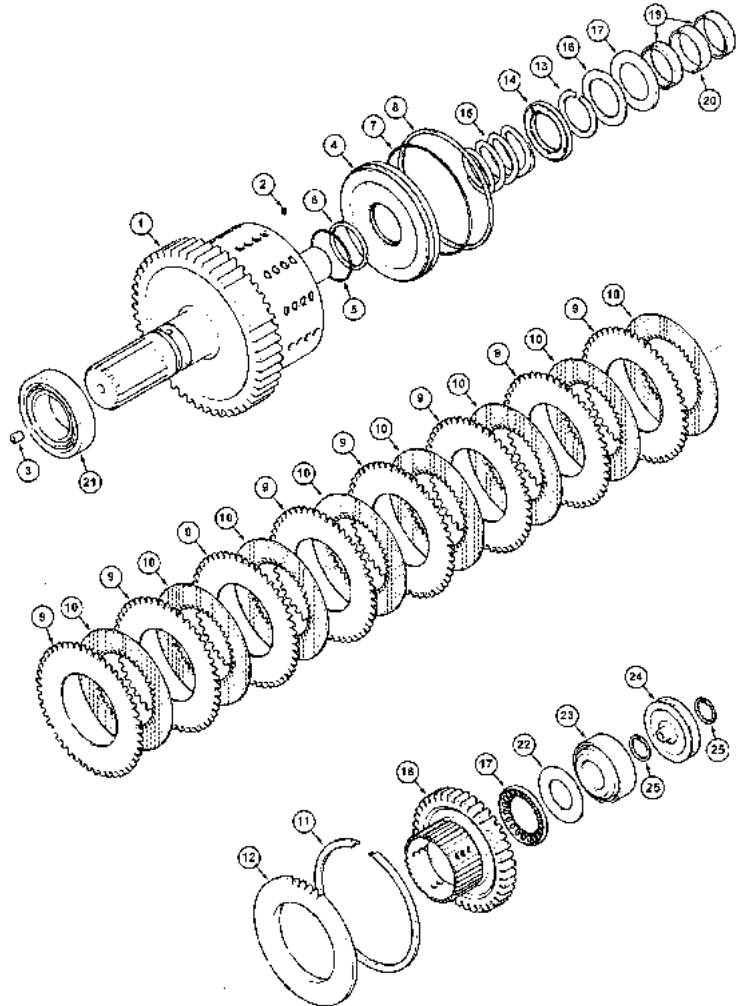
6 - Power Train

6 -
015

TRANSMISSION - MAIN SHAFT

XTX Series XTX185, XTX200, XTX215 (2005-2007)

6015



1	702915A2	●	702915A4R (1)	1	Shaft Assy
1	708919A2	●	708919A4R (1)	1	Shaft Assy
2	38-1804			1	PIN
3	1345887C1	●	1345887C2 (1)	1	PLUG
4	329889A1			1	PISTON HEAD
5	238-7137			1	INSTANT GA
6	A159297			1	GASKET
7	238-7158			1	O RING
8	329896A1			1	GASKET
9	345335A2			8	PLATE
10	345334A1	●	716556A1 (8)	8	PLATE
11	345337A1			1	RING
12	345336A1			1	PLATE
13	100-16175			1	RING
14	A188044			1	RETAINER
15	A188080			1	SPRING

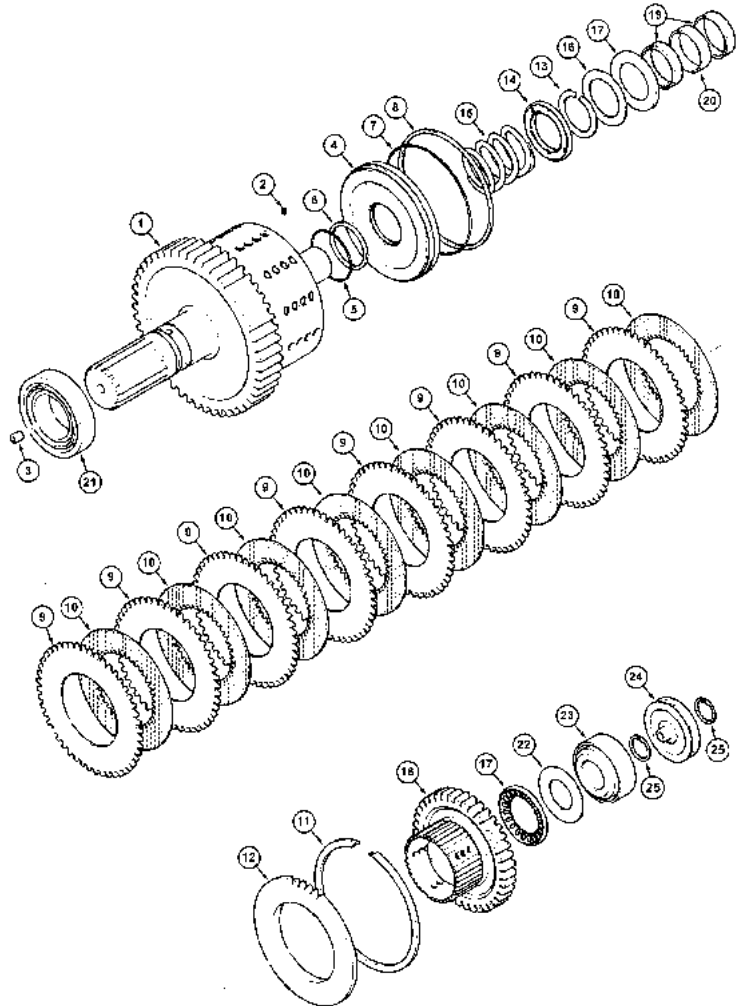
6 - Power Train

6 -
015

TRANSMISSION - MAIN SHAFT

XTX Series XTX185, XTX200, XTX215 (2005-2007)

6015



- 16 A188192
- 17 A183452
- 18 702896A2
- 19 A178460
- 20 704260A1
- 21 708463A1
- 22 704259A1
- 23 708464A1
- 24 702873A1
- 25 800-2180

- 1 WASHER
- 2 PLATE
- 1 GEAR
- 2 ROLL
- 1 SPACER
- 1 BEARING
- 1 WASHER
- 1 BEARING
- 1 CHOKE
- 2 RING

Includes: 2,3

PLASTIC

With Creep Speed

Illustrated

2-1/16 ID x 3/32

1/8 x 1/4 in

Without Creep Speed

No. 80

No. 75

9 mm

121.8 x 19.65 mm

3 x 1/4 in

T48

16.25 mm

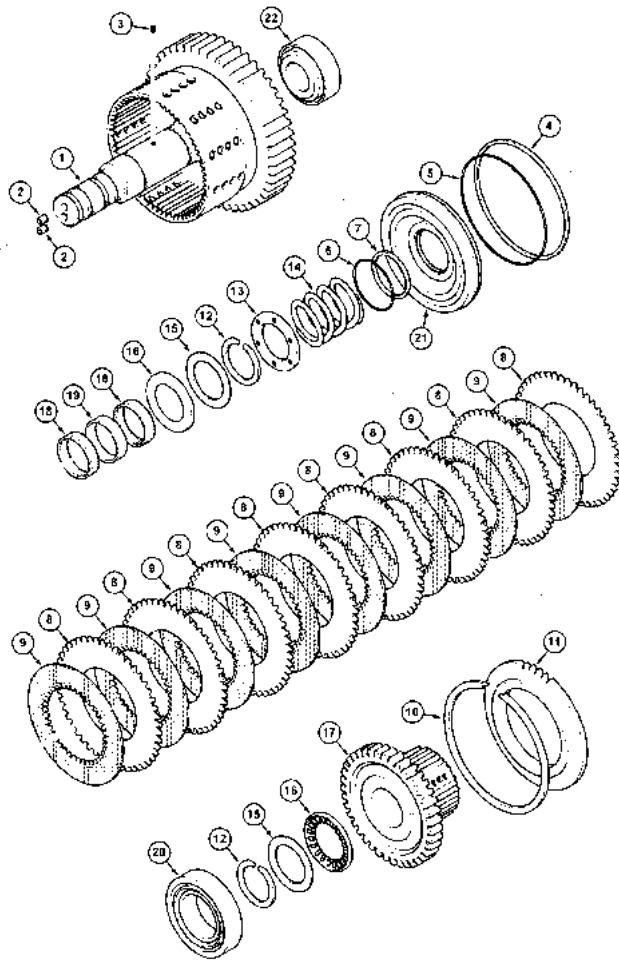
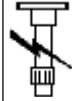
6 - Power Train

6 -
017

TRANSMISSION - COUNTERSHAFT

XTX Series XTX185, XTX200, XTX215 (2005-2007)

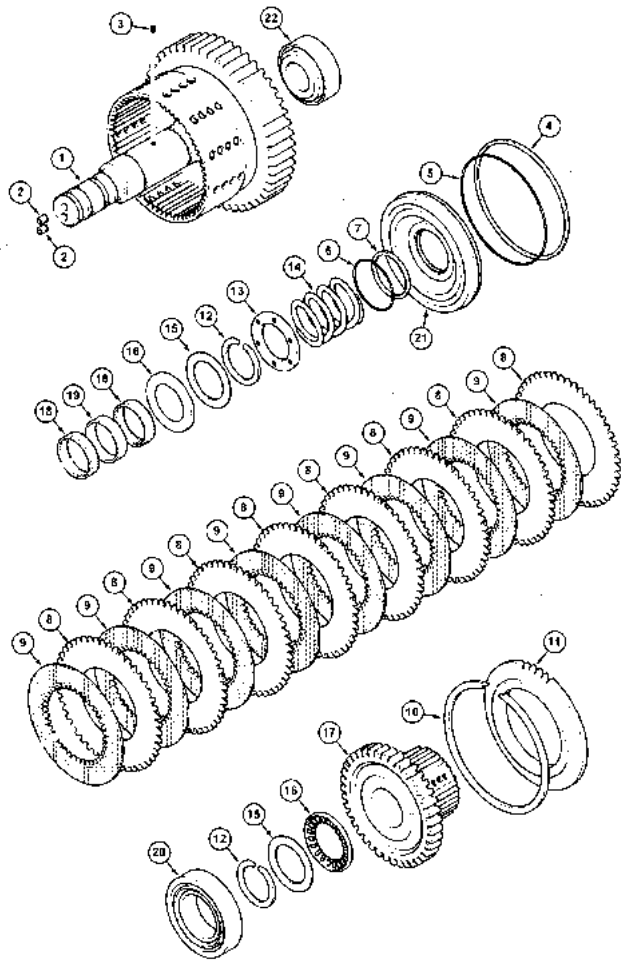
6017



- | | | | | | |
|----|-----------|---|----------------|---|--------------|
| 1 | 702913A2 | ● | 702913A4R (1) | 1 | Shaft Assy |
| 2 | 1342851C1 | ● | 1342851C2 (2) | 2 | PADDING |
| 3 | 38-1804 | | | 1 | PIN |
| 4 | 329896A1 | | | 1 | GASKET |
| 5 | 238-7158 | | | 1 | O RING |
| 6 | 238-7137 | | | 1 | INSTANT GA |
| 7 | A159297 | | | 1 | GASKET |
| 8 | 345335A2 | | | 8 | PLATE |
| 9 | 345334A1 | ● | 716556A1 (8) | 8 | PLATE |
| 10 | 345337A1 | | | 1 | RING |
| 11 | 345336A1 | | | 1 | PLATE |
| 12 | 100-16175 | | | 2 | RING |
| 13 | A188044 | | | 1 | RETAINER |
| 14 | A188080 | | | 1 | SPRING |
| 15 | A188192 | | | 2 | WASHER |
| 16 | A183452 | | | 2 | PLATE |
| 17 | 702895A2 | | | 1 | Gear Assy |
| 18 | A178460 | | | 2 | ROLL |
| 19 | 704261A1 | | | 1 | SPACER |
| 20 | 708461A1 | | | 1 | Bearing Assy |
| 21 | 329889A1 | | | 1 | PISTON HEAD |
| 22 | 708462A1 | ● | 3140666R91 (1) | 1 | BEARING |

XTX Series XTX185, XTX200, XTX215 (2005-2007)

6017



- Includes: 2,3
- 10 mm
- 2-1/16 ID x 3/32
- 1/8 x 1/4 in
- No. 75
- 121.8 x 19.65 mm
- 3 x 1/4 in
- T33
- 17.25 mm

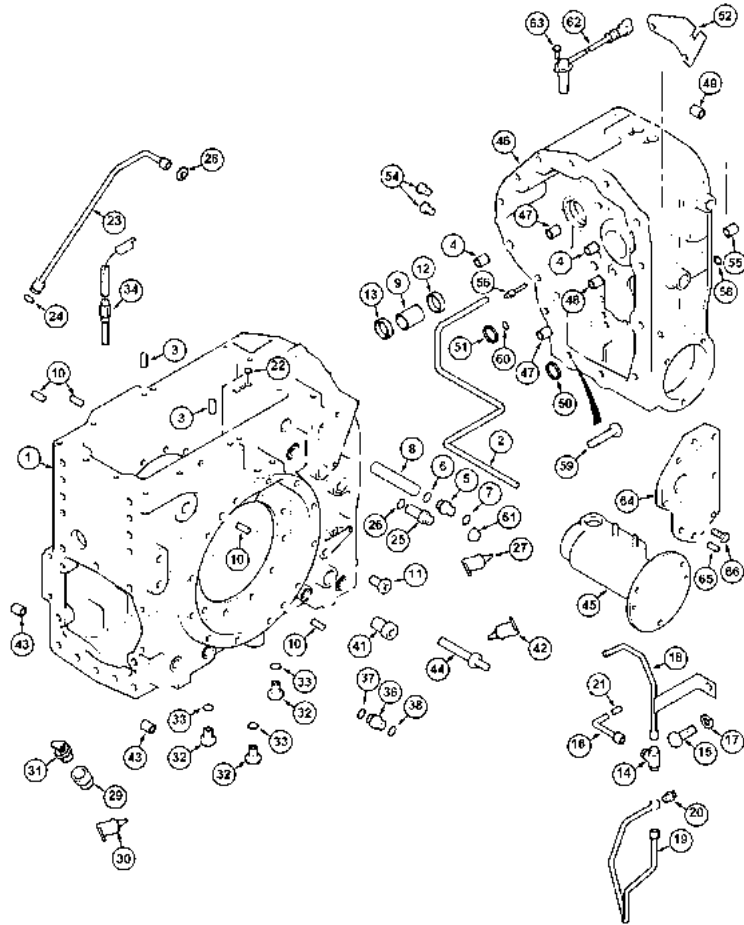
6 - Power Train

6 -
019

TRANSAXLE HOUSING

XTX Series XTX185, XTX200, XTX215 (2005-2007)

6019



- | | | | |
|----|-----------|--------------------------------|----------------|
| 1 | 709061A1 | ● 716528A1 (2)
709061A5 (1) | 1 HOUSING |
| 2 | 302819A1 | | 1 TUBE ASSY |
| 3 | 837-20040 | | 2 PIN |
| 4 | A175944 | | 2 LINER |
| 5 | 700-103 | | 1 COMPLIANCE |
| 6 | 637-63193 | | 1 INSTANT GA |
| 7 | 238-6016 | | 1 INSTANT GA |
| 8 | 258564A1 | | 1 TUBE ASSY |
| 9 | A183013 | | 1 LINER |
| 10 | 837-16040 | | 4 CENTRALISER |
| 11 | 1960881C1 | | 1 PLUG |
| 12 | 708359A1 | ● 1440642X1 (1) | 1 BEARING |
| 13 | 709801A1 | ● 3010697X91 (1) | 1 BEARING |
| 14 | 218-592 | | 1 TEEPIECE |
| 15 | 628-12025 | | 1 BOLT |
| 16 | 298218A1 | ● 298218A2 (1) | 1 EXHAUST PIPE |
| 17 | 892-11012 | | 1 WASHER |
| 18 | 298219A1 | | 1 TUBE ASSY |
| 19 | 298220A1 | | 1 TUBE ASSY |

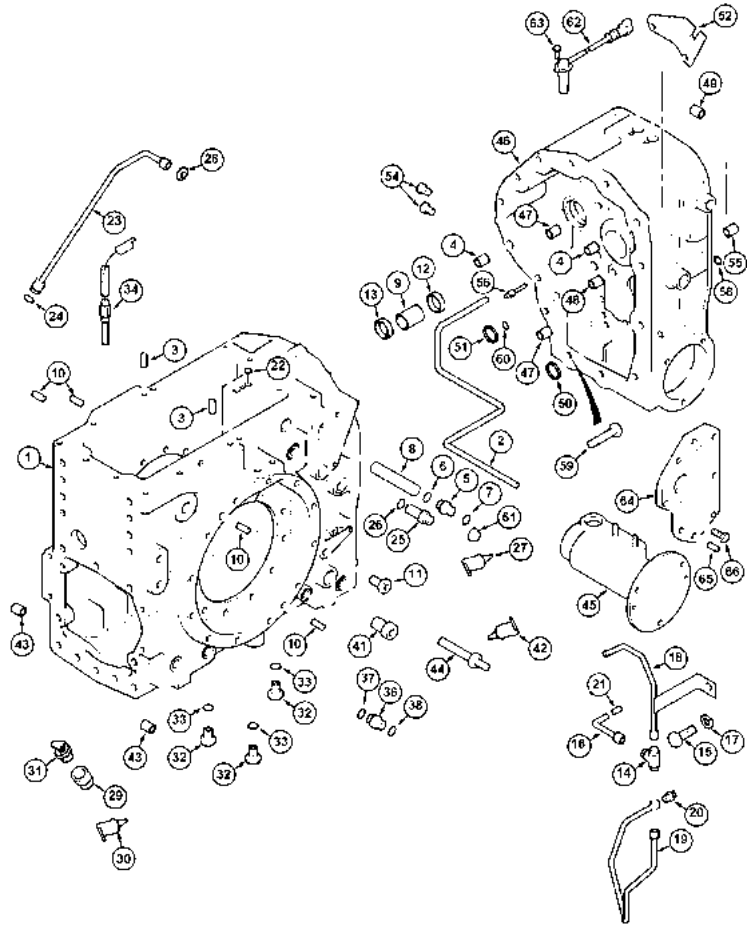
6 - Power Train

6 -
019

TRANSAXLE HOUSING

XTX Series XTX185, XTX200, XTX215 (2005-2007)

6019



20	218-1089		1	CONNECTION
21	347355A1		1	BUSH
22	238-5111		2	INSTANT GA
23	247307A3		1	TUBE ASSY
24	238-5115		1	INSTANT GA
25	701-120		1	UNION
26	238-6012		1	INSTANT GA
27	345-75	● 3303219M1 (0)	0	LOCTITE
27	B17197	● 3930274M91 (0)	0	ADHESIVE
28	701-909		1	NUT
29	711543A1		1	PIPE
30	345-65		0	LOCTITE

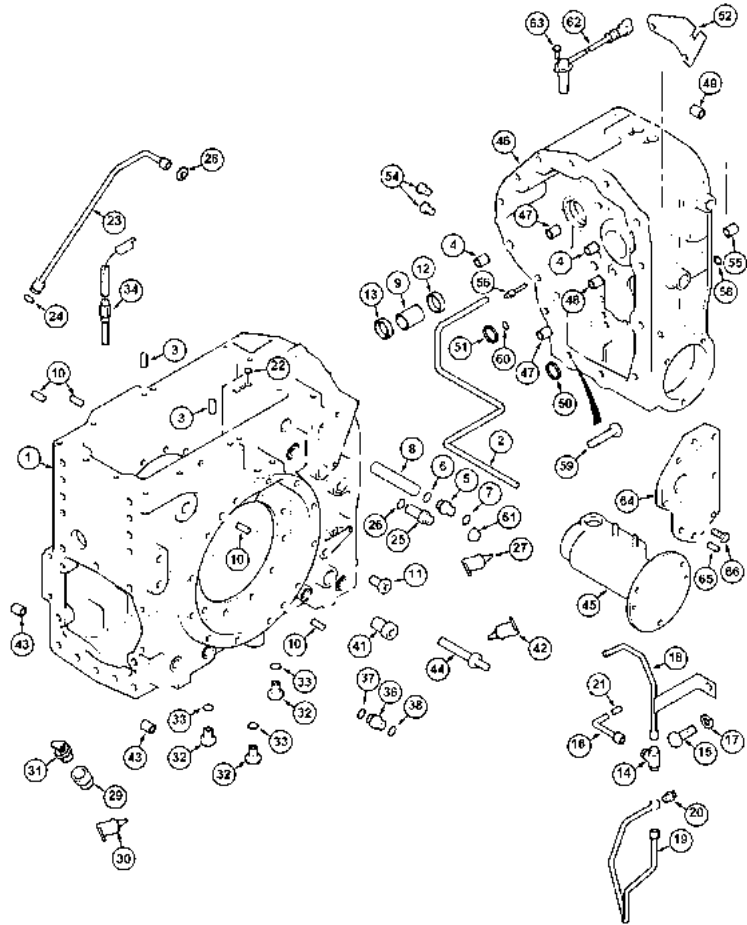
6 - Power Train

6 -
019

TRANSAXLE HOUSING

XTX Series XTX185, XTX200, XTX215 (2005-2007)

6019



- Includes: 26
- 12 mm
- Includes: 6,7
- 5/8 ID x 1/16
- Drive
- Pressure
- Diff Lock
- 3/8 ID x 1/16
- 50 ml
- 11/16 ID x 7/8
- 7/16 ID x 3/32
- Supply
- 19,3 ID x 2,2 mm
- M12 x 25; 10.9
- 16 x 40 mm
- Version Without Hitch
- 20 x 40 mm
- 312 (1 ml)
- LUBRICATION
- CONTINUED

A
B

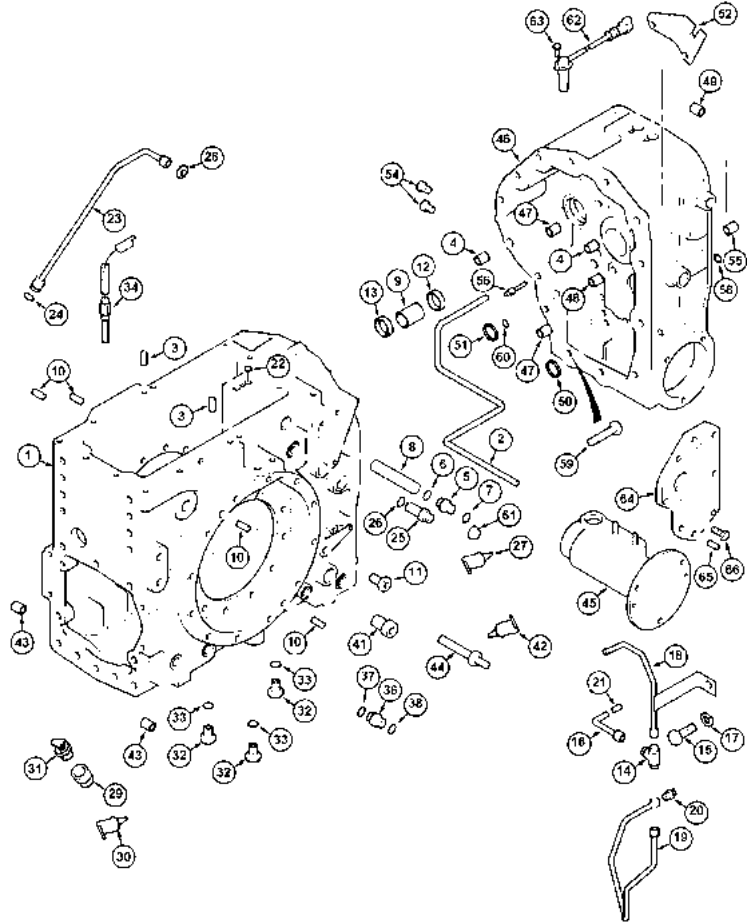
6 - Power Train

6 -
021

TRANSAXLE HOUSING

XTX Series XTX185, XTX200, XTX215 (2005-2007)

6021



- | | | | | |
|----|-----------|---|---|--------------|
| 31 | A180978 | | 1 | CAP |
| 32 | 220067A1 | | 3 | PLUG |
| 33 | 637-63193 | | 1 | INSTANT GA |
| 34 | 392216A1 | ● 6507300M91 (1) | 1 | SENSOR |
| 36 | 700-101 | | 1 | COMPLIANCE |
| 37 | 637-63113 | | 1 | RING |
| 38 | 238-6012 | | 1 | INSTANT GA |
| 41 | 217-478 | | 1 | PLUG |
| 42 | 345-166 | | 0 | LOCTITE |
| 43 | 179309A1 | | 2 | BUSH |
| 44 | 275531A1 | | 1 | HEATER |
| 44 | 536850R1 | | 1 | RECEIVER |
| 45 | REF | | 1 | Screen Assy |
| 46 | 702960A2 | ● 1440635X1 (1)
253480A1 (2)
253481A1 (2)
253482A1 (2)
253483A1 (1)
800-2190 (1)
716580A1 (1) | 1 | Housing Assy |

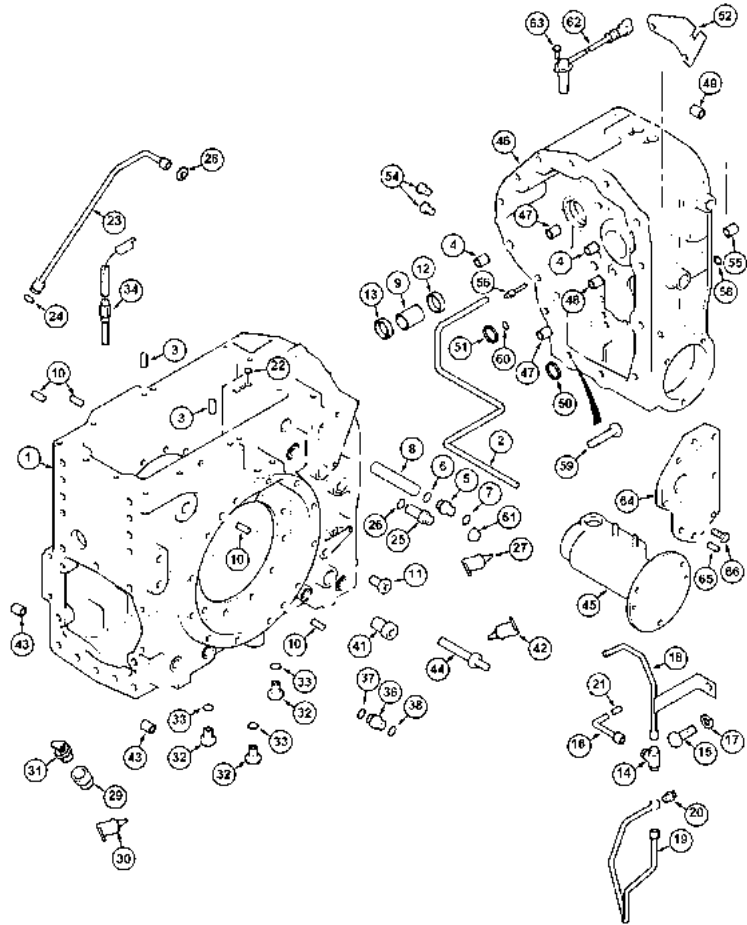
6 - Power Train

6 -
021

TRANSAXLE HOUSING

XTX Series XTX185, XTX200, XTX215 (2005-2007)

6021



47	A175944		2	LINER
48	A188710		2	LINER
49	A188099		1	LINER
50	239-5129		1	GASKET
51	239-5117		1	GASKET
52	251420A1	● 251420A3 (1)	1	BRACE
53	828-16060		2	BOLT
54	139312A1	● 139312A2 (2)	2	PLUG
55	1345887C1	● 1345887C2 (1)	1	PLUG
56	139312A1	● 139312A2 (2)	2	PLUG
58	41-1620		1	PLUG
59	628-16050		1	BOLT
60	238-5015		1	INSTANT GA
61	641-1330		1	PLUG
62	709254A3	● N.L.S. (0)	0	SENSOR

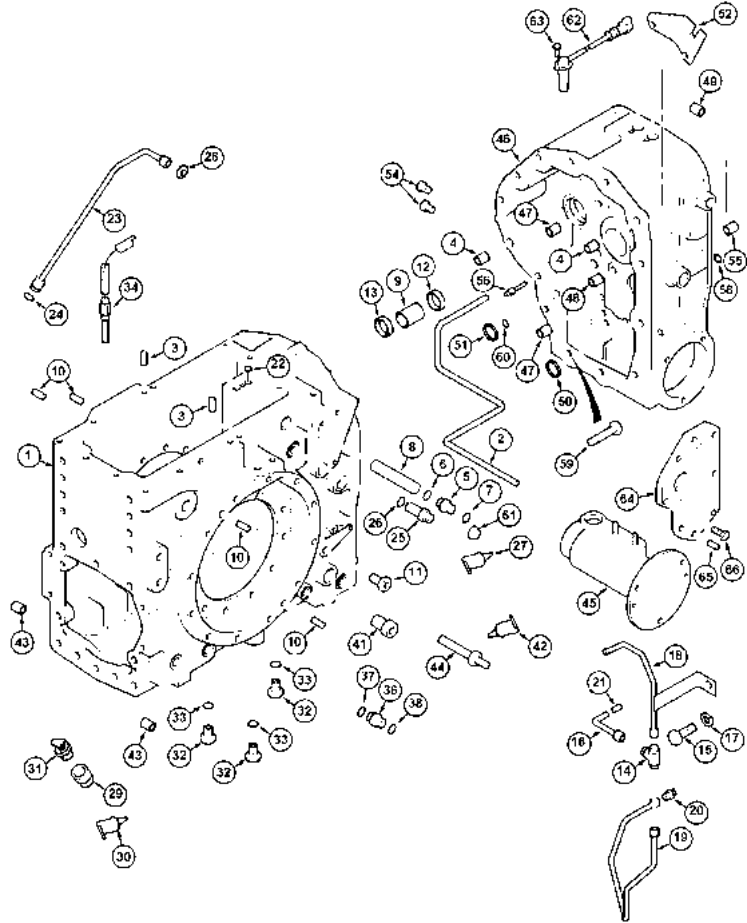
6 - Power Train

6 -
021

TRANSAXLE HOUSING

XTX Series XTX185, XTX200, XTX215 (2005-2007)

6021



- 63 628-8016
- 64 702962A1
- 65 A50011
- 66 614-10035

- 2 BOLT
- 1 Cover
- 2 LINER
- 6 BOLT

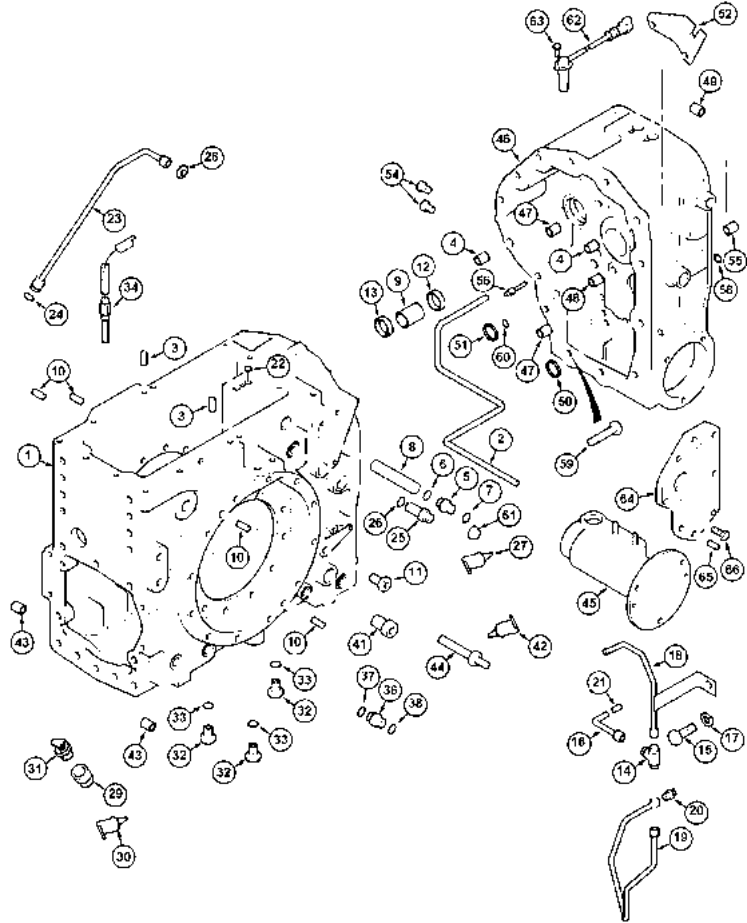
6 - Power Train

6 -
021

TRANSAXLE HOUSING

XTX Series XTX185, XTX200, XTX215 (2005-2007)

6021



- 9/16 ID x 1/16
- 6 mm
- 1-1/4
- 3/8 ID x 1/16
- 1-1/4 in
- SPEED
- 11,3 ID x 2,2 mm
- Includes: 33
- M8 x 16; 10,9
- M10 x 35; 8,8
- See Page(s): 6-61
- 19,3 ID x 2,2 mm
- Includes: 37,38
- Cable
- Axle
- 9 mm
- 13/16x1 in
- 120V/500W
- TRANSMISSION OIL
- 545 (1 ml)
- 1-9/16 in
- M16 x 60; 10,9
- M16 x 50; 10,9
- 240V/500W
- Version Without Hitch
- #XTX-M
- 20V/58mm

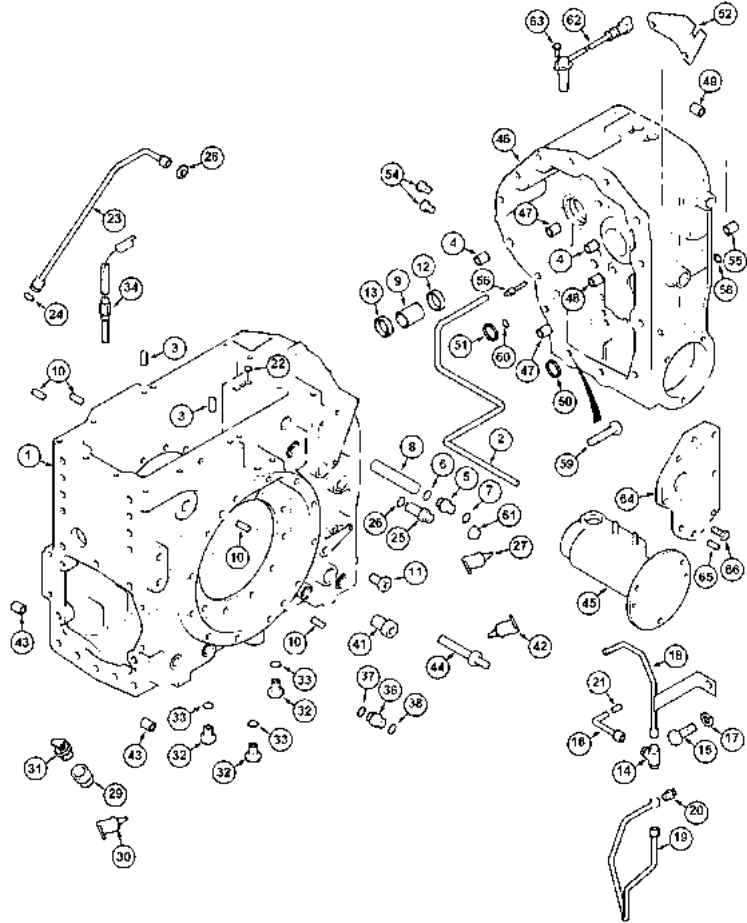
6 - Power Train

6 -
021

TRANSAXLE HOUSING

XTX Series XTX185, XTX200, XTX215 (2005-2007)

6021



A

NOT ILLUSTRATED

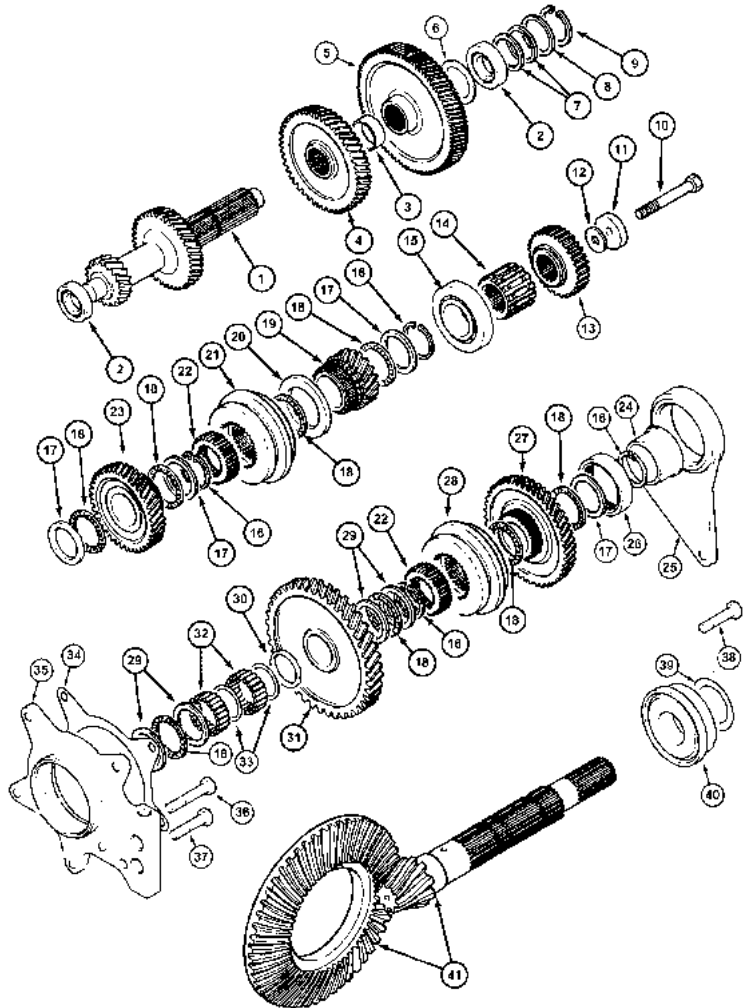
6 - Power Train






6 -
023

TRANSMISSION - RANGE - Shaft And Gears

XTX Series XTX185, XTX200, XTX215 (2005-2007)

6023



1	702868A1	 N.L.S. (1)  TRANSMISSION 00411488	1	SHAFT
1	715646A1	 715646A2 (1)  TRANSMISSION 00411489	1	SHAFT
2	708915A1	 339481X1 (2)	2	BEARING
3	234833A2		1	SPACER
4	228603A1		1	GEAR
5	702865A1		1	PINION
6	600345A1		1	WASHER
7	710921A1		0	SHIM
7	710922A1		0	SHIM
7	710923A1		0	SHIM
7	710924A1		0	SHIM
8	710920A1		1	SHIM
9	100-21300		1	RING
10	828-16110		1	BOLT
11	A188584		1	WASHER
12	A186916		0	SPRAG

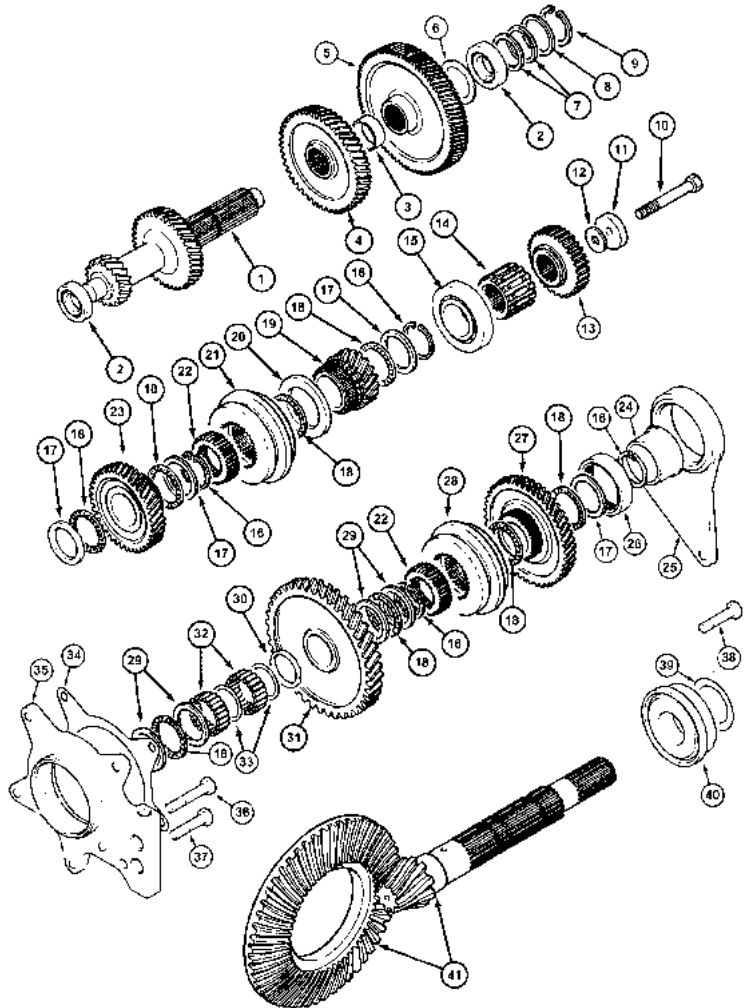
6 - Power Train

6 -
023

TRANSMISSION - RANGE - Shaft And Gears

XTX Series XTX185, XTX200, XTX215 (2005-2007)

6023



- | | | | |
|----|-----------------|---|-----------------|
| 12 | A186917 | 0 | SPRAG |
| 12 | A186918 | 0 | SPRAG |
| 12 | A188344 | 0 | SPRAG |
| 12 | A188345 | 0 | SPRAG |
| 13 | 400005A1 | 1 | PINION |
| 14 | 232832A1 | 1 | HUB |
| 15 | 708914A1 | 1 | BEARING |
| 16 | 101-11225 | 4 | RING |
| 17 | A150067 | 4 | WASHER |
| 18 | K620185 | 8 | ROLL |
| 19 | 702866A1 | 1 | PINION |
| 20 | A183747 | 1 | WASHER |
| 21 | 1345825C2 | 1 | SYNCHRO
GEAR |
| | ● 1345825C3 (1) | | |
| 22 | 1341047C1 | 2 | HUB |

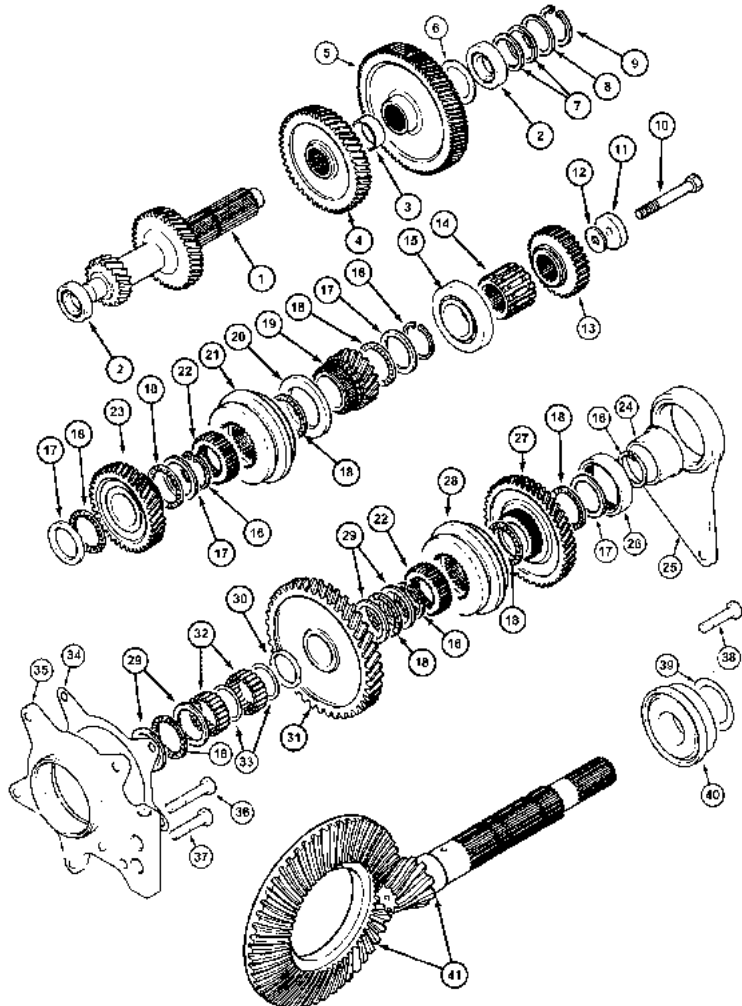
6 - Power Train

6 -
023

TRANSMISSION - RANGE - Shaft And Gears

XTX Series XTX185, XTX200, XTX215 (2005-2007)

6023



- 23T
- Driven
- 26T
- Drive
- M16 x 110; 10,9
- 0,127 mm
- 0,305 mm
- 0,077 mm
- Intermediate
- With 1st and 2nd Gear
- 49T
- 4th Gear
- 3,12/3,2 mm
- 0,05 mm
- 1,017 mm
- 18/30T
- 59T
- 0.08 mm
- 0.13 mm
- 0.18 mm
- 0.51 mm
- ➔ FROM SERIAL OR ENGINE NUMBER
- ➔ UP TO SERIAL OR ENGINE NUMBER
- B CONTINUED

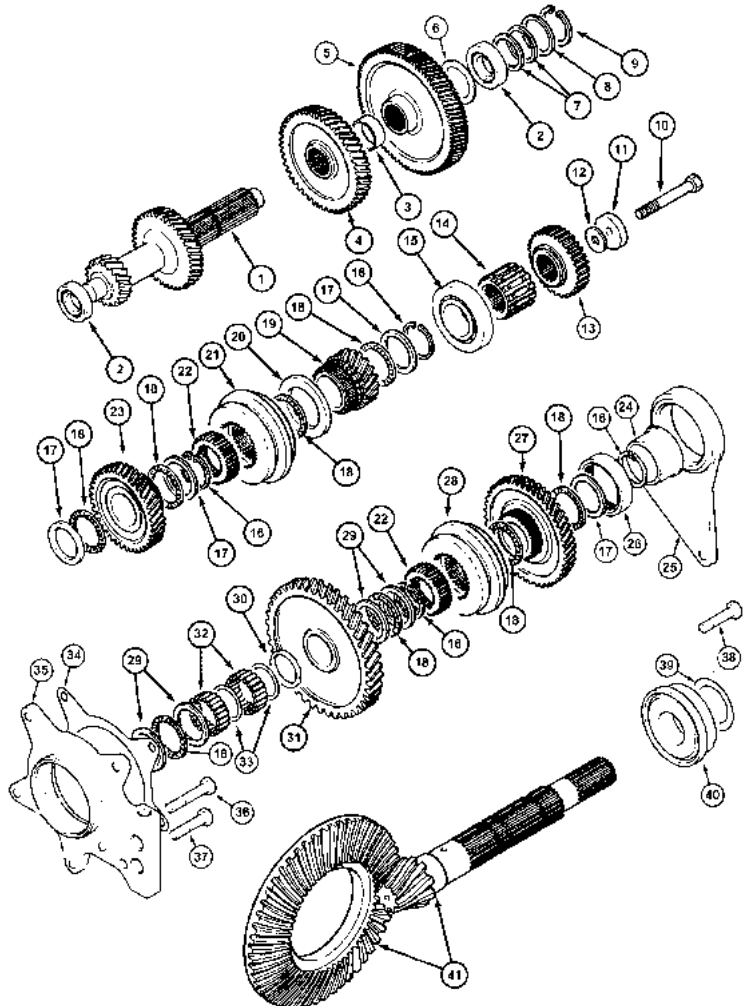
6 - Power Train

6 -
025

TRANSMISSION - RANGE - Shaft And Gears

XTX Series XTX185, XTX200, XTX215 (2005-2007)

6025



- | | | | | |
|----|-----------|--|----|-----------------|
| 23 | 228606A2 | | 1 | PINION |
| 24 | 228586A1 | | 1 | HUB |
| 25 | 228585A2 | | 1 | SUPPORT |
| 26 | 228587A1 | | 1 | BEARING |
| 27 | 387055A1 | ● 387055A2 (1) | 1 | GEAR |
| 28 | 228592A2 | ● 228592A3 (1) | 1 | SYNCHRO
GEAR |
| 29 | 921272C1 | | 4 | WASHER |
| 30 | 1345645C1 | | 1 | DRIVING |
| 31 | 702869A1 | ● N.L.S. (1)
➔ 715646A2 (1)
716333A1 (1)
TRANSMISSION
00411488 | 1 | PINION |
| 31 | 715647A1 | ➔ 00411489 | 1 | GEAR |
| 32 | 1341221C1 | ● 144176A1 (76) | 76 | KIT |

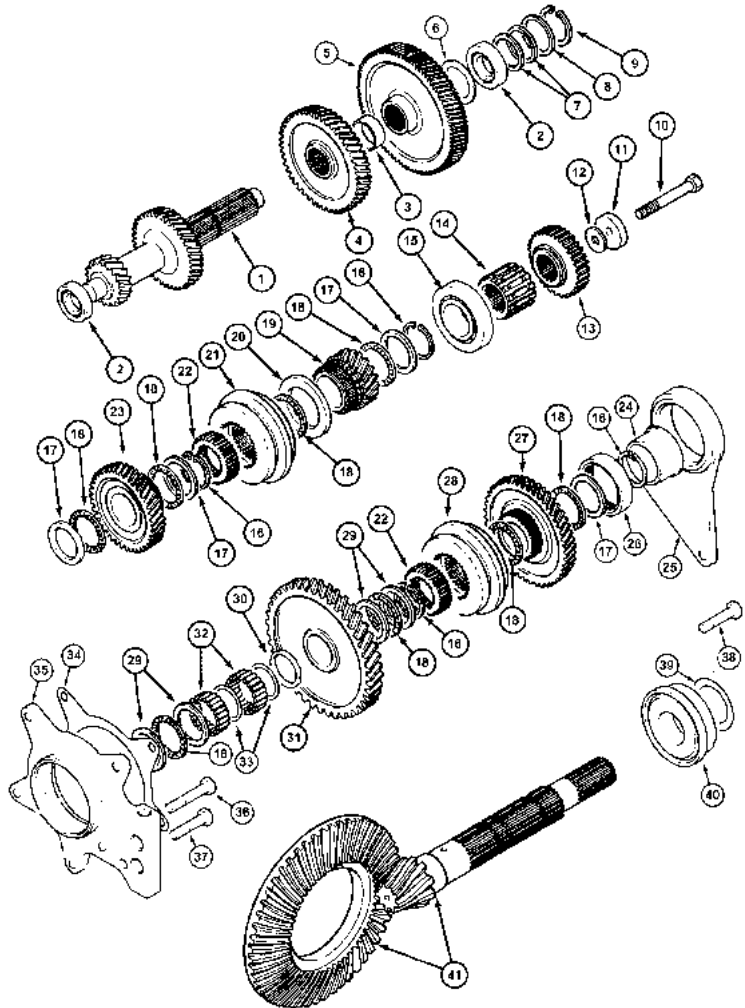
6 - Power Train

6 -
025

TRANSMISSION - RANGE - Shaft And Gears

XTX Series XTX185, XTX200, XTX215 (2005-2007)

6025



- | | | | | |
|----|-----------|---|---|---------|
| 33 | 1345646C1 | | 2 | Spacer |
| 34 | 232750A1 | | 0 | SPRAG |
| 34 | 232751A1 | | 0 | SPRAG |
| 34 | 232752A1 | | 0 | SPRAG |
| 34 | 232753A1 | | 0 | SPRAG |
| 35 | 249139A2 | | 1 | Support |
| 36 | 628-12040 | | 4 | BOLT |
| 37 | 828-12050 | | 1 | BOLT |
| 38 | 828-16050 | | 2 | Bolt |
| 39 | 356417A1 | | 0 | SHIM |
| 40 | 708913A1 | ● | 1 | BEARING |
| 41 | 228623A1 | ● | 1 | CHOPPER |

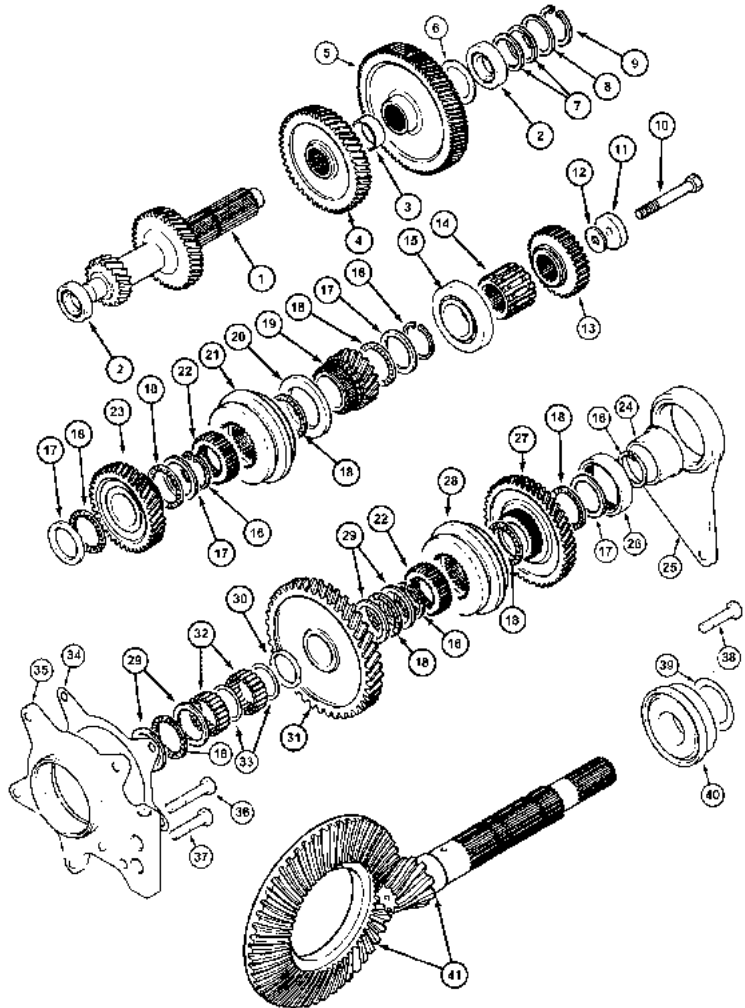
6 - Power Train

6 -
025

TRANSMISSION - RANGE - Shaft And Gears

XTX Series XTX185, XTX200, XTX215 (2005-2007)

6025



Driven

M12 x 40; 10,9

40T

M12 x 50; 10,9

2nd Gear

1,562 mm

49T

3rd Gear

0,08 mm

0,18 mm

0,51 mm

10,24 mm

1st Gear

0,25 mm

0,30 mm

M16 x 50; 10.9

63T

FROM SERIAL OR ENGINE NUMBER

UP TO SERIAL OR ENGINE NUMBER



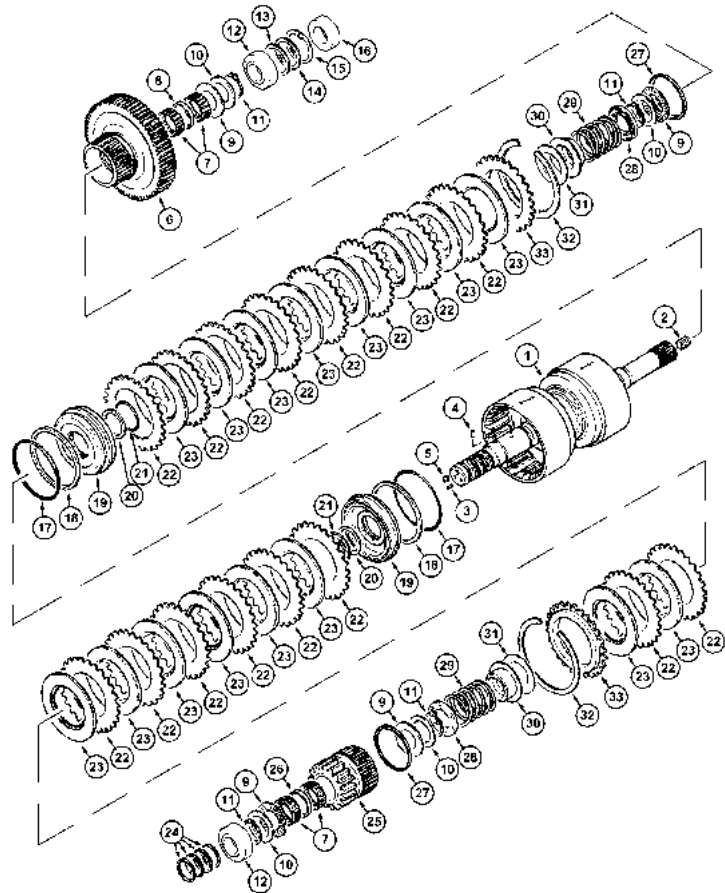
6 - Power Train

6 -
027

TRANSMISSION - FORWARD AND REVERSE

XTX Series XTX185, XTX200, XTX215 (2005-2007)

6027



- | | | | | | |
|----|-----------|---|---------------|---|-----------|
| 1 | 705496A1 | ● | 705496A3R (1) | 1 | SHAFT |
| 2 | A183506 | | | 1 | SCREW |
| 3 | 1345889C1 | ● | 1345889C2 (2) | 2 | PADDING |
| 4 | 38-1804 | | | 2 | PIN |
| 5 | 1342851C1 | ● | 1342851C2 (1) | 1 | PADDING |
| 6 | 702898A2 | | | 1 | Gear Assy |
| 7 | A175487 | | | 4 | ROLL |
| 8 | 600369A1 | | | 1 | SPACER |
| 9 | A175486 | | | 4 | PLATE |
| 10 | A159463 | | | 4 | WASHER |
| 11 | 100-16156 | | | 4 | RING |
| 12 | 708359A1 | ● | 1440642X1 (2) | 2 | BEARING |
| 13 | 600395A1 | | | 0 | SPACER |
| 13 | 600396A1 | | | 0 | SPACER |
| 13 | 600397A1 | | | 0 | SPACER |
| 13 | 600398A1 | | | 0 | SPACER |
| 14 | 232655A1 | | | 1 | DRIVING |
| 15 | 800-2185 | | | 1 | CLIP |
| 16 | 706035A1 | ● | 706035A2 (1) | 1 | SPACER |

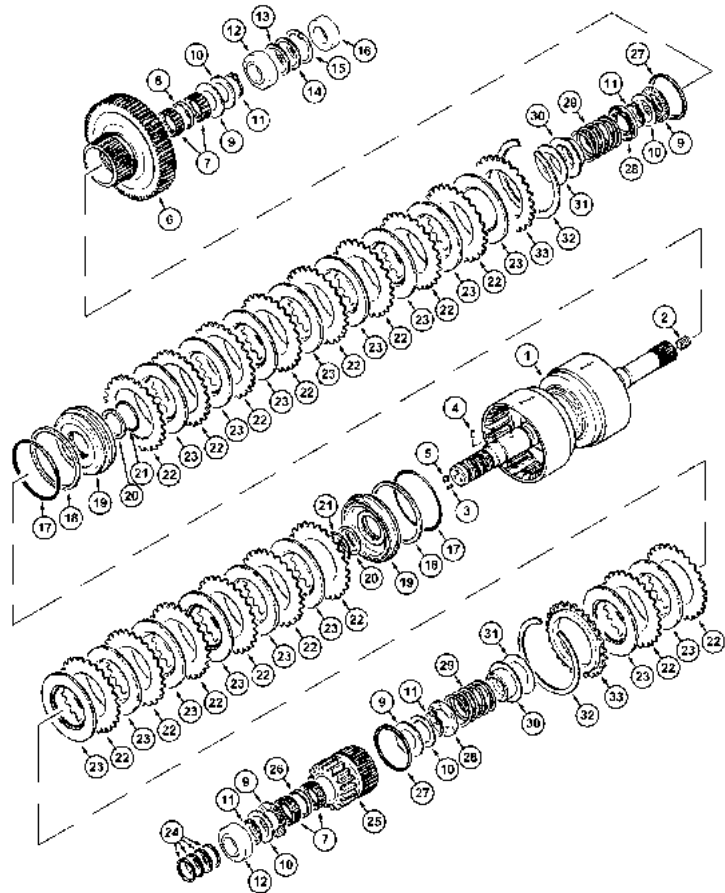
6 - Power Train

6 -
027

TRANSMISSION - FORWARD AND REVERSE

XTX Series XTX185, XTX200, XTX215 (2005-2007)

6027



17	238-7137		2	INSTANT GA
18	329896A1		2	GASKET
19	329889A1		2	PISTON HEAD
20	A159297		2	GASKET
21	238-7137		2	INSTANT GA
22	345335A2		18	PLATE
23	345334A1	● 716556A1 (18)	18	PLATE
24	716576A1	● N.L.S. (1)	4	GASKET
25	702899A1	→ TRANSMISSION 00411488	1	PINION
25	715645A1	● 716333A1 (1)	1	PINION
		→ TRANSMISSIO 00411489		
26	A175489		1	DRIVING
27	257277A1		2	GASKET
28	710343A1		2	STOP
29	710333A1		2	SPRING
30	710969A1		2	THIMBLE
31	A188134		0	DRIVING
31	A188135		0	DRIVING
31	A188136		0	DRIVING
31	A188137		0	DRIVING
32	345337A1		2	RING
33	345336A1		2	PLATE

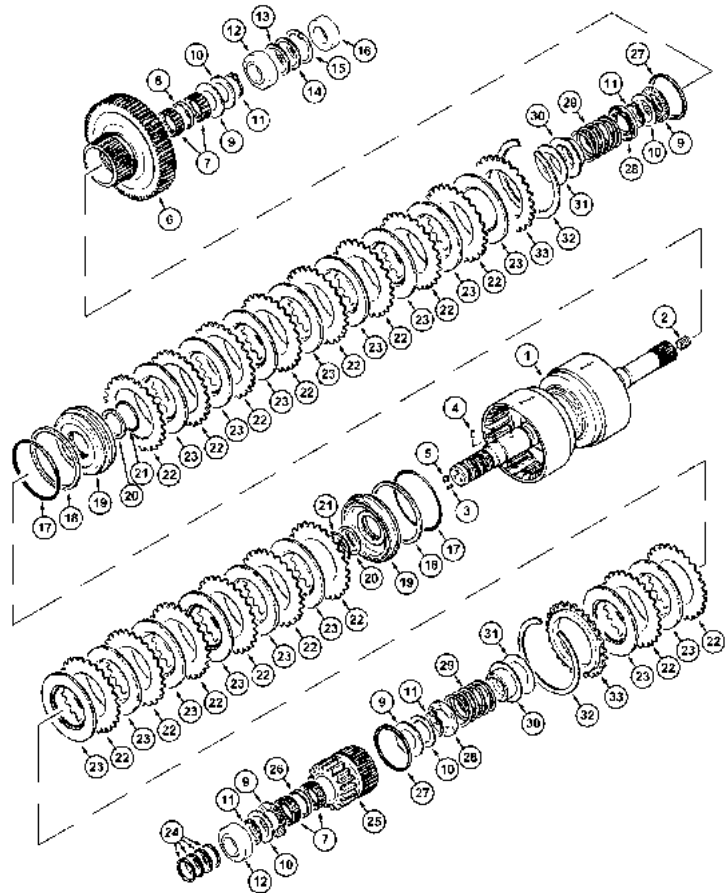
6 - Power Train

6 -
027

TRANSMISSION - FORWARD AND REVERSE

XTX Series XTX185, XTX200, XTX215 (2005-2007)

6027



- Creep Speed
- 10 mm
- 6,5 mm OD
- 2-1/16 ID x 3/32
- Includes: 2 - 5
- 1/8 x 1/4 in
- Forward
- 0,75 mm
- 1,00 mm
- 1,25 mm
- 2,25 mm
- 121.8 x 19.65 mm
- 0.08
- 0.13
- 0.18
- 0.51
- 50T



FROM SERIAL OR ENGINE NUMBER
UP TO SERIAL OR ENGINE NUMBER

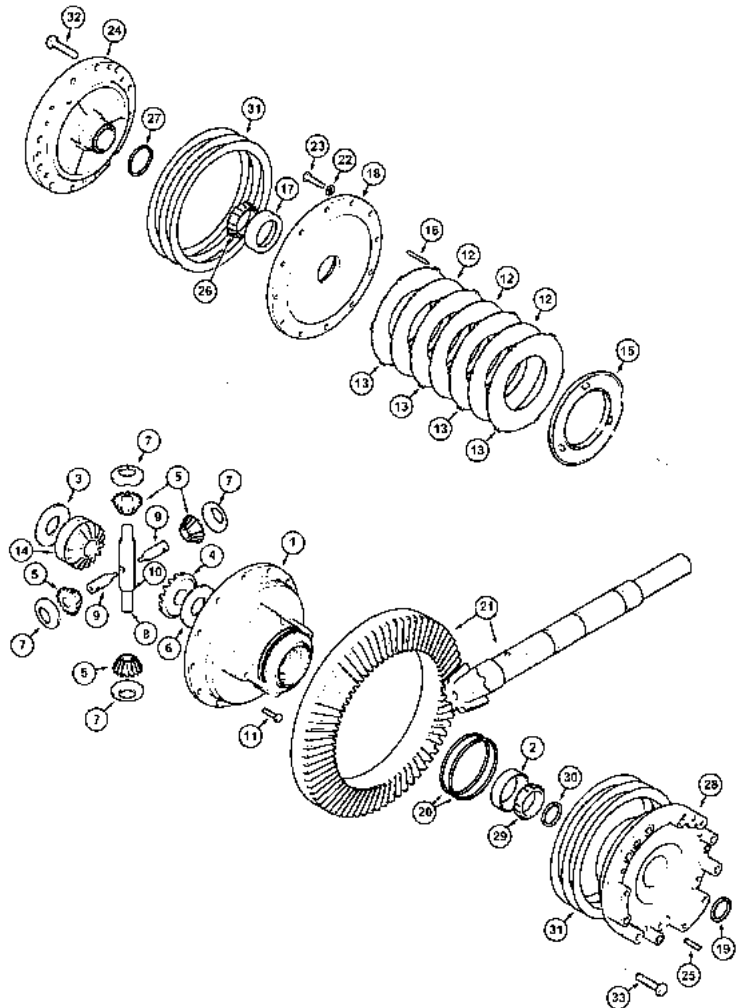
6 - Power Train

6 -
029

TRANSMISSION - DIFFERENTIAL

XTX Series XTX185, XTX200, XTX215 (2005-2007)

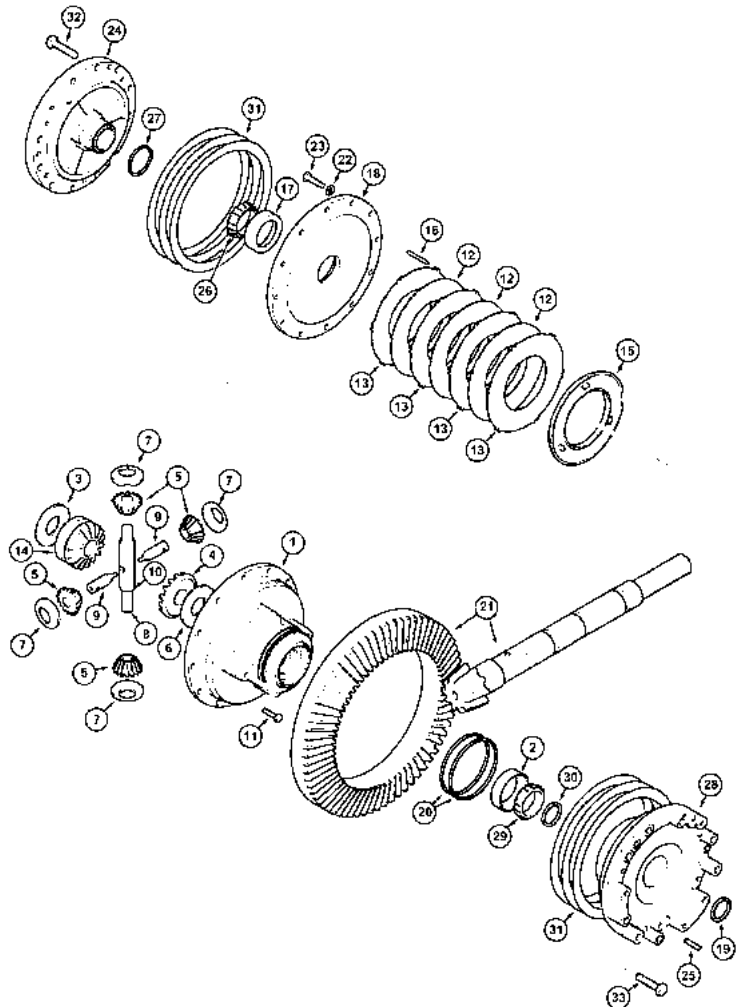
6029



- | | | | | |
|----|-----------|--------------|---|------------|
| 1 | 1997751C1 | ● N.L.S. (1) | 1 | CAGE |
| 2 | 529453R1 | ● RLT011 (1) | 1 | RACE |
| 3 | 94646C2 | | 1 | WASHER |
| 4 | 1264681C2 | | 1 | GEAR |
| 5 | 1264923C3 | ● N.L.S. (4) | 4 | PINION |
| 6 | 94647C2 | | 1 | WASHER |
| 7 | 94645C2 | | 4 | WASHER |
| 8 | 1276902C4 | ● N.L.S. (1) | 1 | SHAFT |
| 9 | 1285777C4 | ● N.L.S. (2) | 2 | SHAFT |
| 10 | 1963820C1 | | 1 | SPACER |
| 11 | 1997421C1 | | 2 | SCREW |
| 12 | 137802C1 | | 3 | PLATE |
| 13 | 92915C1 | | 4 | PLATE |
| 14 | 1264682C2 | | 1 | GEAR |
| 15 | 1997422C1 | | 1 | PISTON |
| 16 | 137023A1 | | 6 | DOWEL |
| 17 | 622337C1 | ● RLT012 (1) | 1 | RACE |
| 18 | 94644C1 | | 1 | SCOTCH SKI |
| 19 | 139059C1 | | 2 | GASKET |
| 20 | 148940C1 | | 2 | BUSH |

XTX Series XTX185, XTX200, XTX215 (2005-2007)

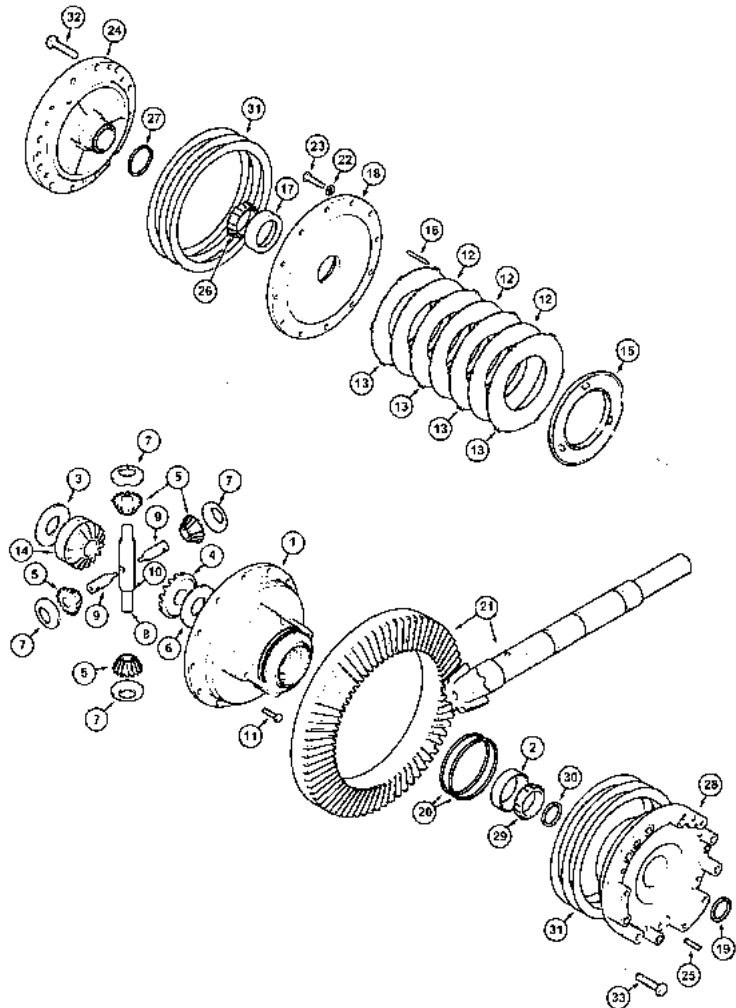
6029



21	228623A1	●	228623A3 (1)	1	CHOPPER
22	896-11016	●	3019575X1 (12)	12	WASHER
23	828-16055			12	SCREW
24	137756C2	●	137756C3 (1)	1	THRUSTER
25	136433A1			10	CENTRALISER
26	622336C1	●	RLT012 (1)	1	CONE CUP
27	139060C2			1	GASKET
28	248495A1	●	248495A2 (1)	1	RETAINER
29	529452R1	●	RLT011 (1)	1	CONE CUP
30	148942C2			1	BUSH
31	120509C2			0	SPRAG
31	120510C2			0	SPRAG
31	120511C2			0	SPRAG
31	120512C2			0	SPRAG
31	120513C2			0	SPRAG
32	613-16040			3	SCREW
33	613-16045			3	BOLT

XTX Series XTX185, XTX200, XTX215 (2005-2007)

6029



- Left
- Right
- 17,5 x 30 x 4 mm
- Diff Lock
- 22T
- 0,18 mm
- 0,10 mm
- M16 x 45
- M16 x 40
- 12T
- 10 x 60 mm
- M16 x 55; 10.9
- 12 x 65 mm
- 0,31 mm
- 0,74 mm
- 0,09 mm
- SHORT
- LONG

D
E

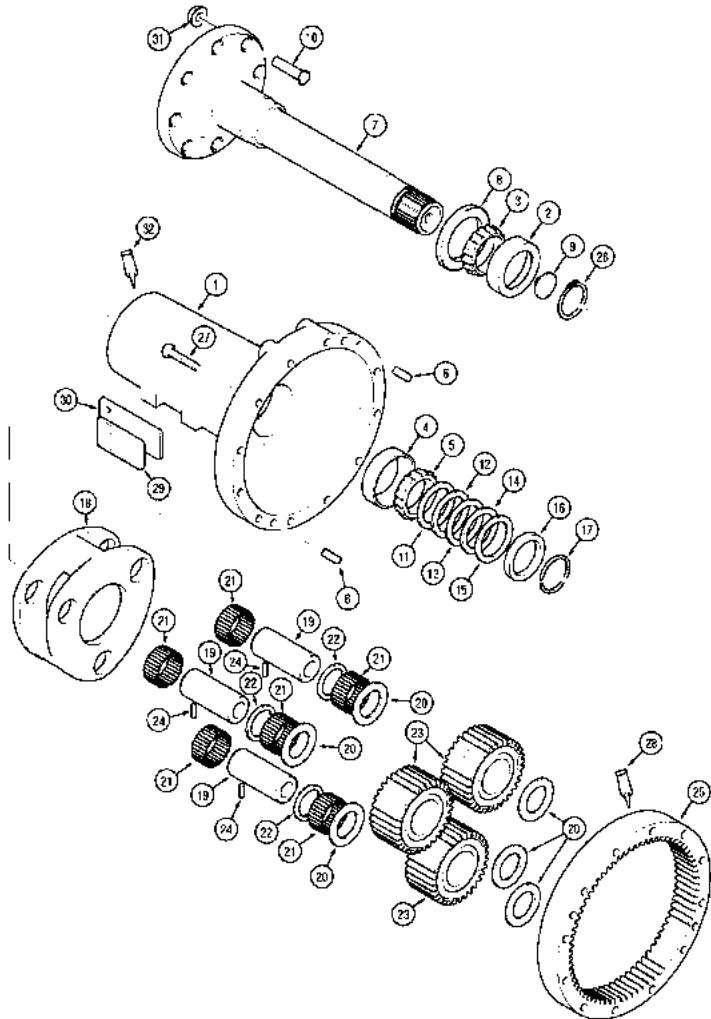
6 - Power Train

6 -
031

REAR AXLE - Flange Axle

XTX Series XTX185, XTX200, XTX215 (2005-2007)

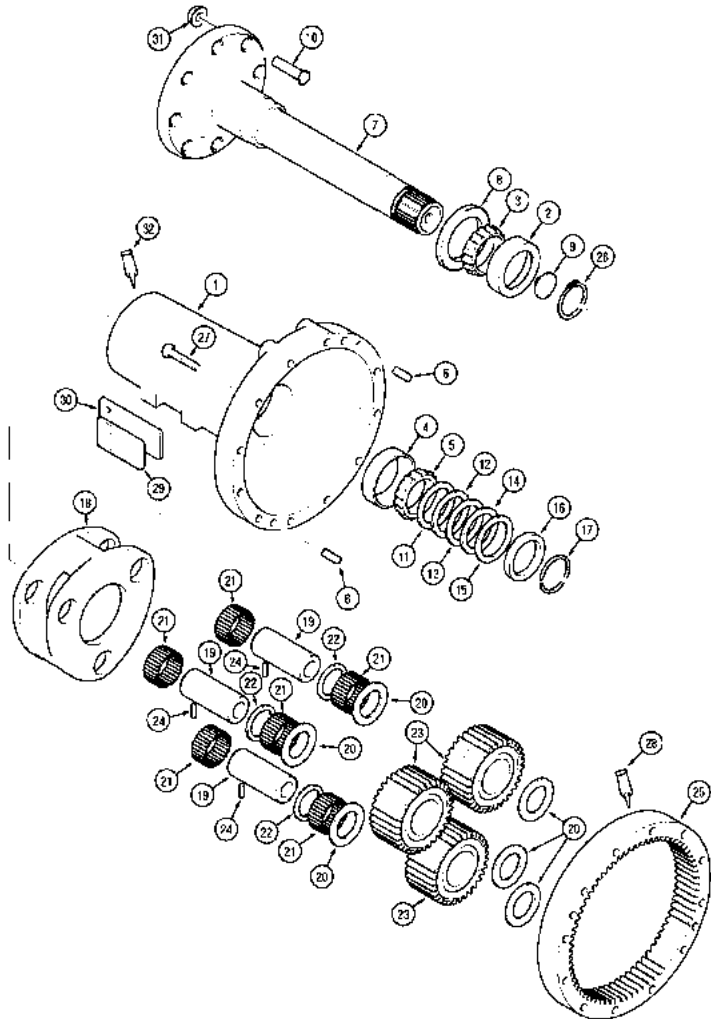
6031



- | | | | | |
|----|-----------|--------------|-----|-------------|
| 1 | 235396A1 | | 1 | CARRIER |
| 2 | 619697C1 | | 1 | RACE |
| 3 | 38703D | | 1 | CONE CUP |
| 4 | 622337C1 | ● RLT012 (1) | 1 | RACE |
| 5 | 622336C1 | ● RLT012 (1) | 1 | CONE CUP |
| 6 | 837-16040 | | 2 | CENTRALISER |
| 7 | 131811A1 | | 1 | SHAFT |
| | | | | |
| 8 | 85244C1 | | 1 | GASKET |
| 9 | 1981270C1 | | 1 | INSERT |
| 10 | 600386A1 | | 8 | Stud |
| 11 | 143933C1 | | 0 | SPRAG |
| 12 | 143934C2 | | 0 | SPRAG |
| 13 | 143935C1 | | 0 | SPRAG |
| 14 | 143936C1 | | 0 | SPRAG |
| 15 | 143937C1 | | 0 | SPRAG |
| 16 | 137777C1 | | 1 | RING |
| 17 | 1277025C1 | | 1 | RING |
| 18 | 131842A1 | | 1 | CARRIER |
| 19 | 131844A1 | | 3 | SHAFT |
| 20 | 1997886C1 | | 6 | WASHER |
| 21 | 131845A1 | | 174 | NEEDLE |
| 22 | 1349348C1 | | 3 | BUSH |

XTX Series XTX185, XTX200, XTX215 (2005-2007)

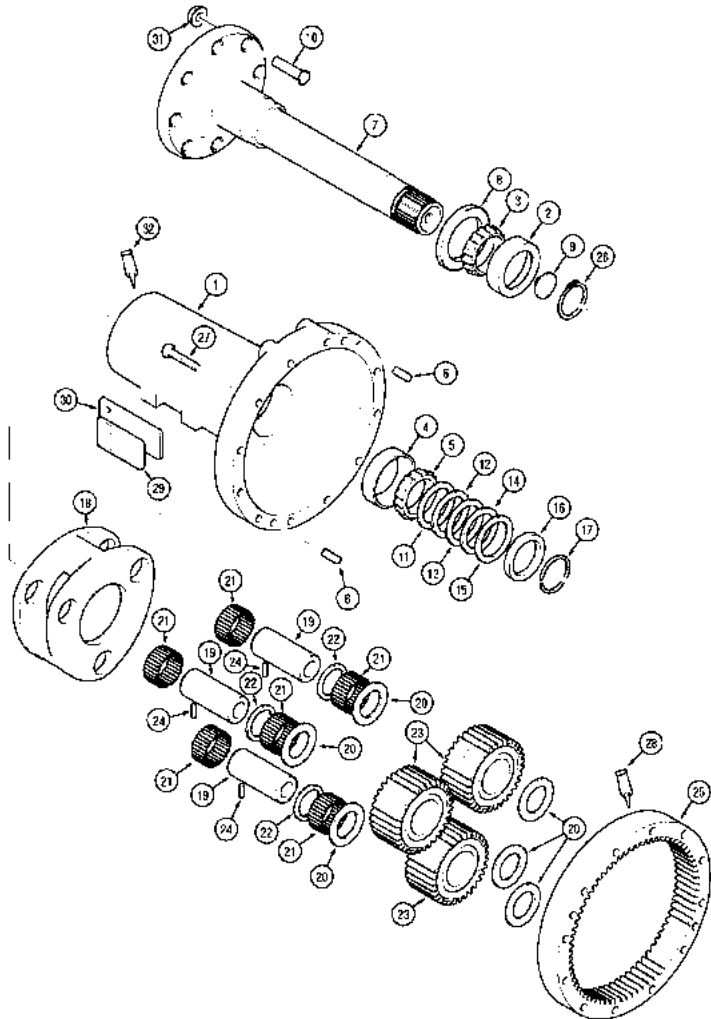
6031



- | | | | |
|----|-----------|----|--------------|
| 23 | 131847A1 | 3 | PINION |
| 24 | 838-3826 | 3 | PIN |
| 25 | 131841A1 | 1 | CROWNWHEEL |
| 26 | 101-11315 | 1 | BLEEPER |
| 27 | 828-16140 | 10 | BOLT |
| 28 | 345-144 | 10 | LOCTITE |
| 29 | 133597A1 | 2 | CAT EYE |
| 30 | 276921A1 | 2 | PLATE |
| 31 | 355584A1 | 16 | NUT |
| 32 | 345-79 | 0 | SEAL SECTION |
| 32 | B17501 | 0 | LOCTITE |
- B17555 (0)

XTX Series XTX185, XTX200, XTX215 (2005-2007)

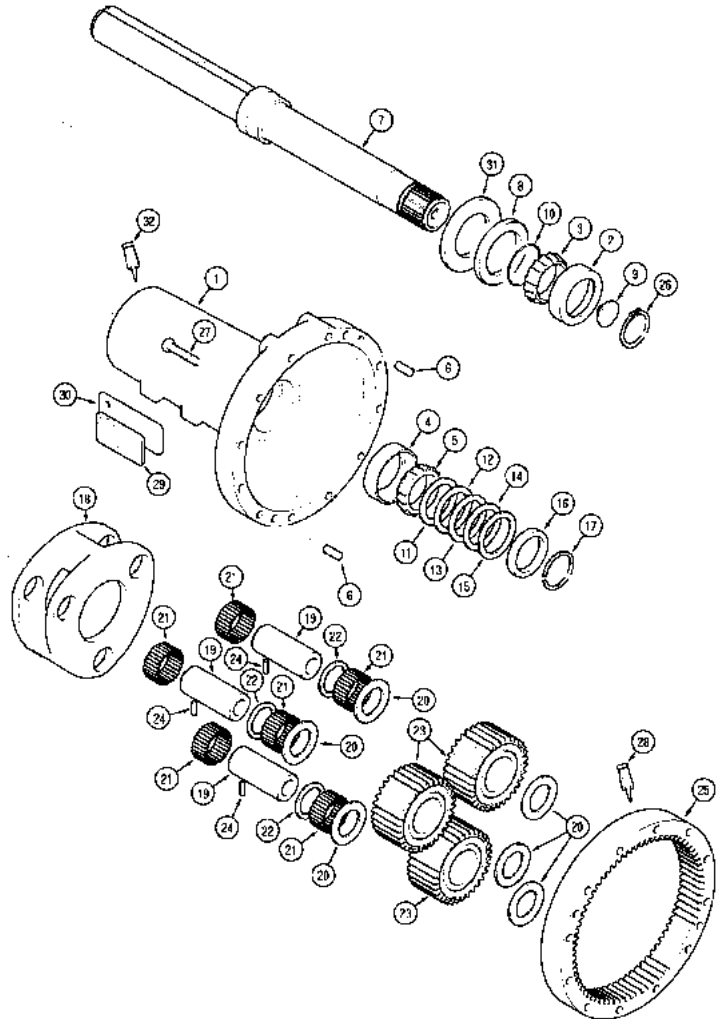
6031



- Includes: 10
- Europe Only
- 6 ml
- 31T
- M16 x 140; 10.9
- 8 x 26 mm
- M22
- Planetary
- 0,18 mm
- 0,30 mm
- 16 x 40 mm
- Flange Axle: 3.5 inch
- M22 x 80
- 0,76 mm
- 0,10 - 0,13 mm
- 0,06 - 0,09 mm
- 11597 (1 ml)

XTX Series XTX185, XTX200, XTX215 (2005-2007)

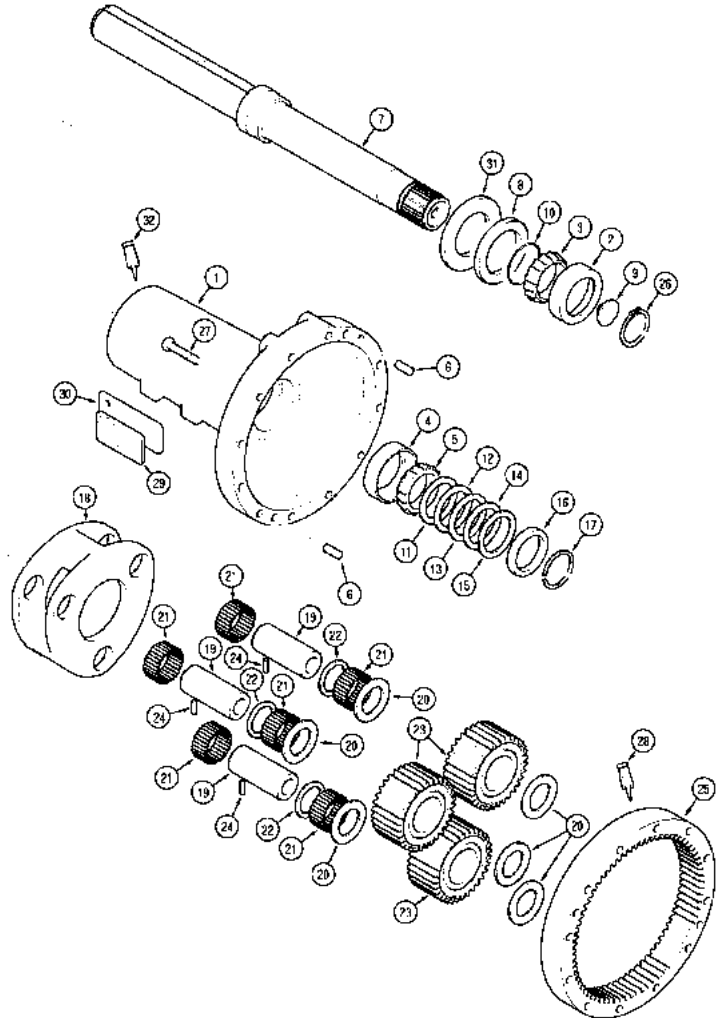
6033



- | | | | | |
|----|-----------|---|-----|-------------|
| 1 | 235396A1 | | 1 | CARRIER |
| 2 | 619697C1 | | 1 | RACE |
| 3 | 38703D | | 1 | CONE CUP |
| 4 | 622337C1 | ● | 1 | RACE |
| 5 | 622336C1 | ● | 1 | CONE CUP |
| 6 | 837-16040 | | 2 | CENTRALISER |
| 7 | 1968336C4 | | 1 | SHAFT |
| 8 | 1968333C1 | | 1 | INSERT |
| 9 | 1981270C1 | | 1 | INSERT |
| 10 | 238-5238 | | 1 | INSTANT GA |
| 11 | 143933C1 | | 0 | SPRAG |
| 12 | 143934C2 | | 0 | SPRAG |
| 13 | 143935C1 | | 0 | SPRAG |
| 14 | 143936C1 | | 0 | SPRAG |
| 15 | 143937C1 | | 0 | SPRAG |
| 16 | 137777C1 | | 1 | RING |
| 17 | 1277025C1 | | 1 | RING |
| 18 | 131842A1 | | 1 | CARRIER |
| 19 | 131844A1 | | 3 | SHAFT |
| 20 | 1997886C1 | | 6 | WASHER |
| 21 | 131845A1 | | 174 | NEEDLE |
| 22 | 1349348C1 | | 3 | BUSH |

XTX Series XTX185, XTX200, XTX215 (2005-2007)

6033



- | | | | |
|----|-----------|----|--------------|
| 23 | 131847A1 | 3 | PINION |
| 24 | 838-3826 | 3 | PIN |
| 25 | 131841A1 | 1 | CROWNWHEEL |
| 26 | 101-11315 | 1 | BLEEPER |
| 27 | 828-16140 | 10 | BOLT |
| 28 | 345-144 | 10 | LOCTITE |
| 29 | 133597A1 | 2 | CAT EYE |
| 30 | 276921A1 | 2 | PLATE |
| 31 | 85244C1 | 1 | GASKET |
| 32 | 345-79 | 0 | SEAL SECTION |
| 32 | B17501 | 0 | LOCTITE |

Europe Only

6 ml

31T

Includes: 8,9

M16 x 140; 10.9

8 x 26 mm

Planetary

0,18 mm

0,30 mm

16 x 40 mm

0,76 mm

0,10 - 0,13 mm

0,06 - 0,09 mm

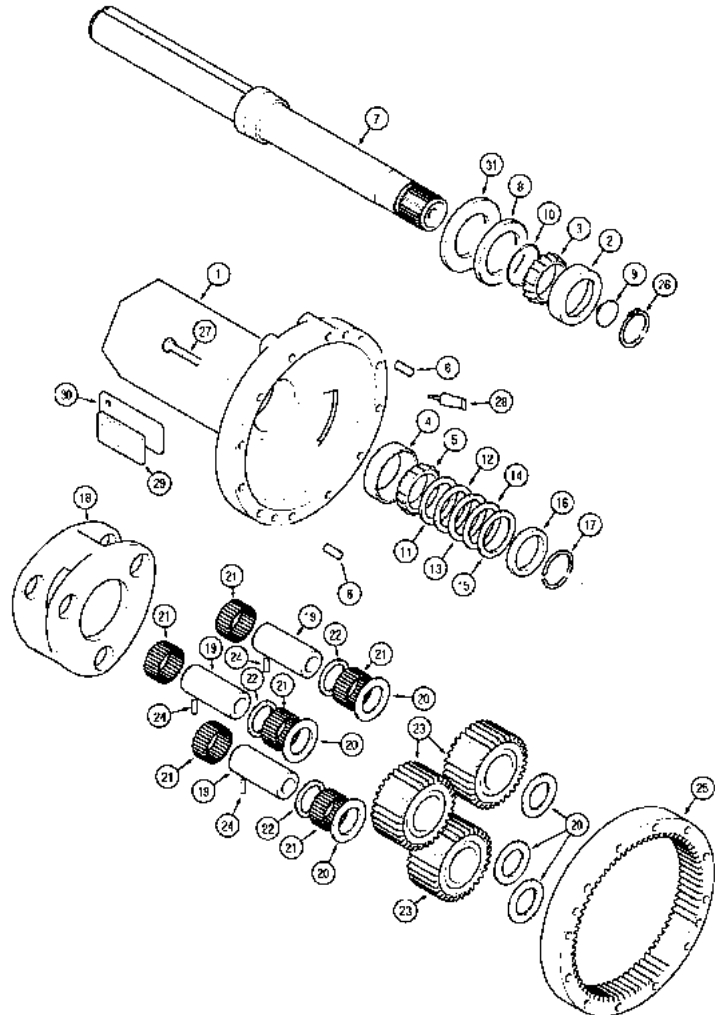
11597 (1 ml)

3-1/2 x 112

3-1/2 ID x 1/8

XTX Series XTX185, XTX200, XTX215 (2005-2007)

6035



- | | | | |
|----|-----------|---|-------------|
| 1 | 235397A1 | 1 | CARRIER |
| 2 | 619697C1 | 1 | RACE |
| 3 | 123869R1 | 1 | CONE CUP |
| 4 | 630899C1 | 1 | RACE |
| 5 | 630874C1 | 1 | CONE CUP |
| 6 | 837-16040 | 2 | CENTRALISER |
| 7 | 1968338C4 | 1 | SHAFT |
| | | | |
| 7 | 600415A1 | 1 | Axle Assy |
| | | | |
| 8 | 1968334C1 | 1 | BUSH |
| 9 | 1981270C1 | 1 | INSERT |
| 10 | 238-5241 | 1 | INSTANT GA |
| 11 | 143921C1 | 0 | SPRAG |
| 12 | 143922C1 | 0 | SPRAG |
| 13 | 143923C1 | 0 | SPRAG |
| 14 | 143924C1 | 0 | SPRAG |
| 15 | 143925C1 | 0 | SPRAG |
| 16 | 124744C1 | 1 | RING |
| 17 | 1277020C2 | 1 | BUSH |
| 18 | 131843A1 | 1 | CARRIER |
| 19 | 131844A1 | 3 | SHAFT |
| 20 | 1997886C1 | 6 | WASHER |

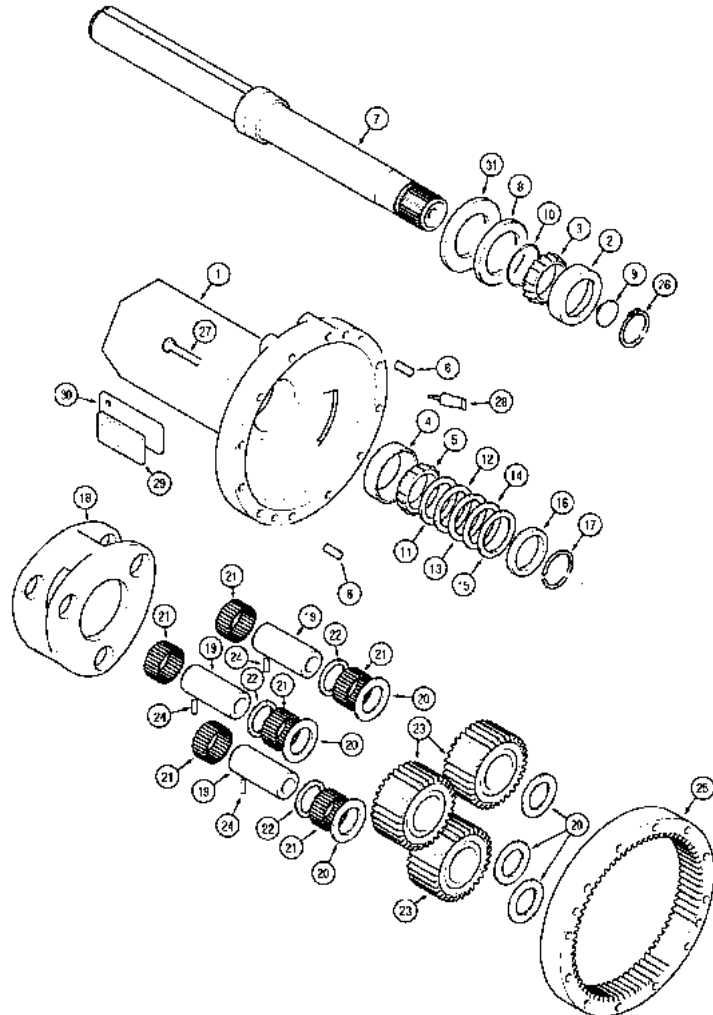
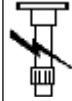
6 - Power Train

6 -
035

REAR AXLE - ROW CROP - 4 x 112 in., 4 x 98 in.

XTX Series XTX185, XTX200, XTX215 (2005-2007)

6035



- 21 131845A1
- 22 1349348C1
- 23 131847A1
- 24 838-3826
- 25 131841A1
- 26 101-11350
- 27 828-16140
- 28 345-144
- 29 133597A1
- 30 276921A1
- 31 84842C1

- 174 NEEDLE
- 3 BUSH
- 3 PINION
- 3 PIN
- 1 CROWNWHEEL
- 1 RING
- 10 BOLT
- 10 LOCTITE
- 2 CAT EYE
- 2 PLATE
- 1 GASKET

Europe Only

3-7/8 ID x 1/8

31T

Includes: 8,9

M16 x 140; 10.9

8 x 26 mm

0,18 mm

0,30 mm

16 x 40 mm

0,76 mm

0,10 - 0,13 mm

0,06 - 0,09 mm

11597 (1 ml)

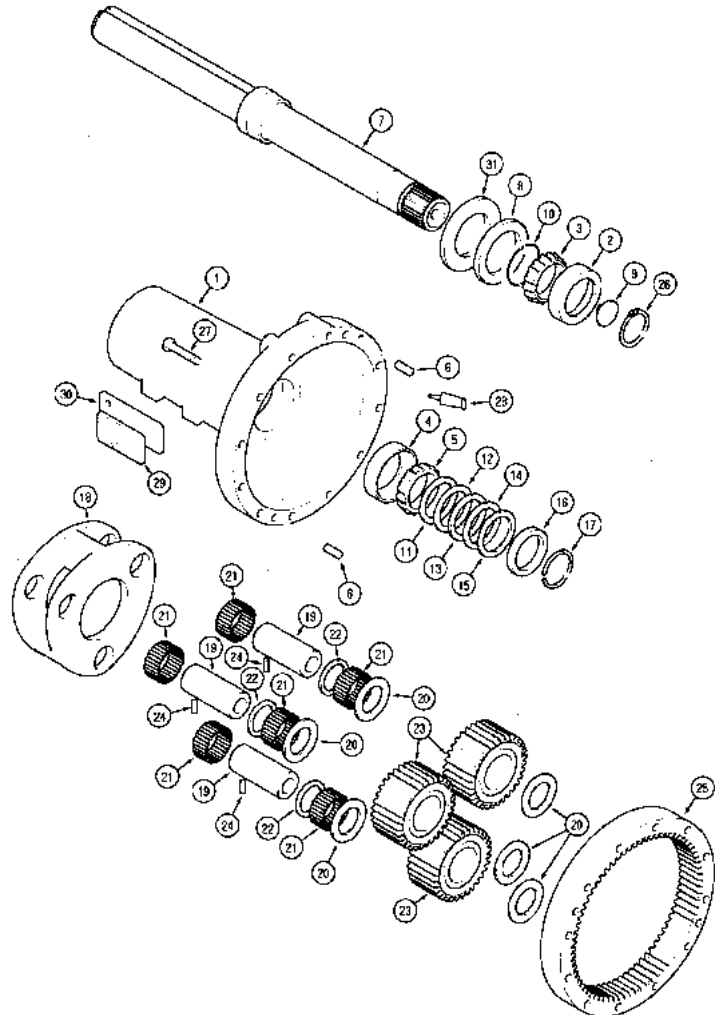
4 x 112 in

4 x 98 in

Planetary: 31T

XTX Series XTX185, XTX200, XTX215 (2005-2007)

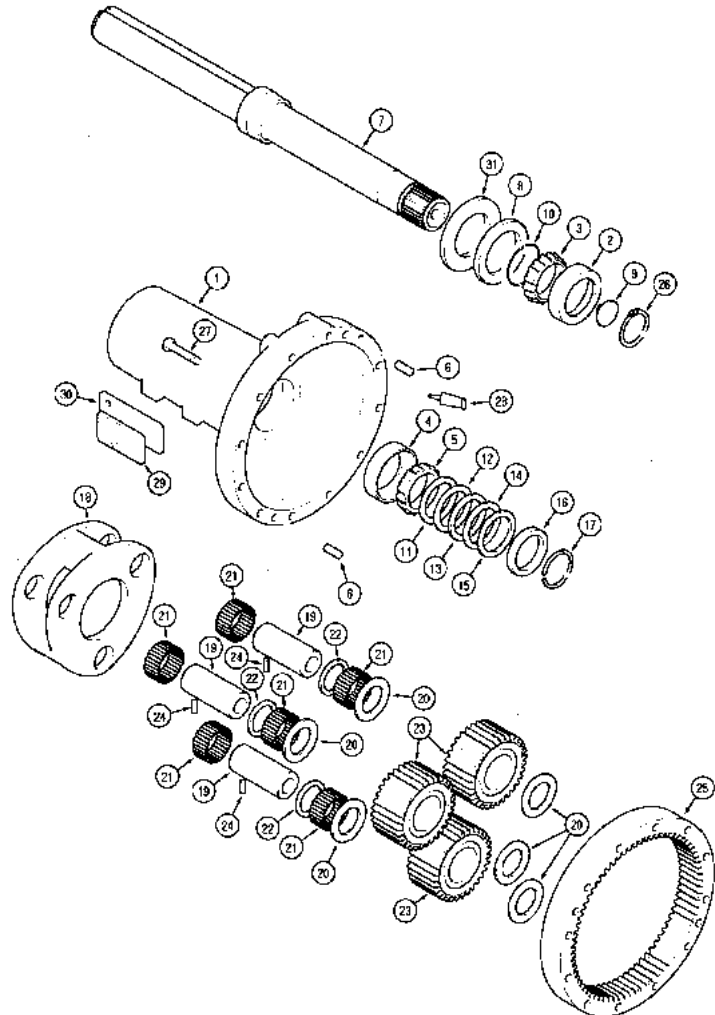
6037



- | | | | |
|----|-----------|-----|-------------|
| 1 | 187760A1 | 1 | CRANKCASE |
| 1 | 235398A1 | 1 | CARRIER |
| 2 | 1975500C1 | 1 | RACE |
| 3 | 1975499C1 | 1 | CONE CUP |
| 4 | 619697C1 | 1 | RACE |
| 5 | 123869R1 | 1 | CONE CUP |
| 6 | 837-16040 | 1 | CENTRALISER |
| 7 | 1342484C3 | 1 | AXLE |
| 8 | 1963837C1 | 1 | BUSH |
| 9 | 1981270C1 | 1 | INSERT |
| 10 | 238-5155 | 1 | INSTANT GA |
| 11 | 143921C1 | 0 | SPRAG |
| 12 | 143922C1 | 0 | SPRAG |
| 13 | 143923C1 | 0 | SPRAG |
| 14 | 143924C1 | 0 | SPRAG |
| 15 | 143925C1 | 0 | SPRAG |
| 16 | 124744C1 | 1 | RING |
| 17 | 1277020C2 | 1 | BUSH |
| 18 | 131843A1 | 1 | CARRIER |
| 19 | 131844A1 | 3 | SHAFT |
| 20 | 1997886C1 | 6 | WASHER |
| 21 | 131845A1 | 174 | NEEDLE |
| 22 | 1349348C1 | 3 | BUSH |

XTX Series XTX185, XTX200, XTX215 (2005-2007)

6037



- | | | | |
|----|-----------|----|------------|
| 23 | 131847A1 | 3 | PINION |
| 24 | 838-3826 | 3 | PIN |
| 25 | 131841A1 | 1 | CROWNWHEEL |
| 26 | 101-11350 | 1 | RING |
| 27 | 828-16140 | 10 | BOLT |
| 28 | 345-144 | 10 | LOCTITE |
| 29 | 133597A1 | 2 | CAT EYE |
| 30 | 276921A1 | 2 | PLATE |
| 31 | 1963839C1 | 1 | GASKET |

Europe Only

31T

Includes: 8,9

M16 x 140; 10.9

8 x 26 mm

0,18 mm

0,30 mm

16 x 40 mm

0,76 mm

0,10 - 0,13 mm

0,06 - 0,09 mm

11597 (1 ml)

Planetary: 31T

Consists Of: 235398A1,2 - 6

4 x 118/120

4 ID x 3/32

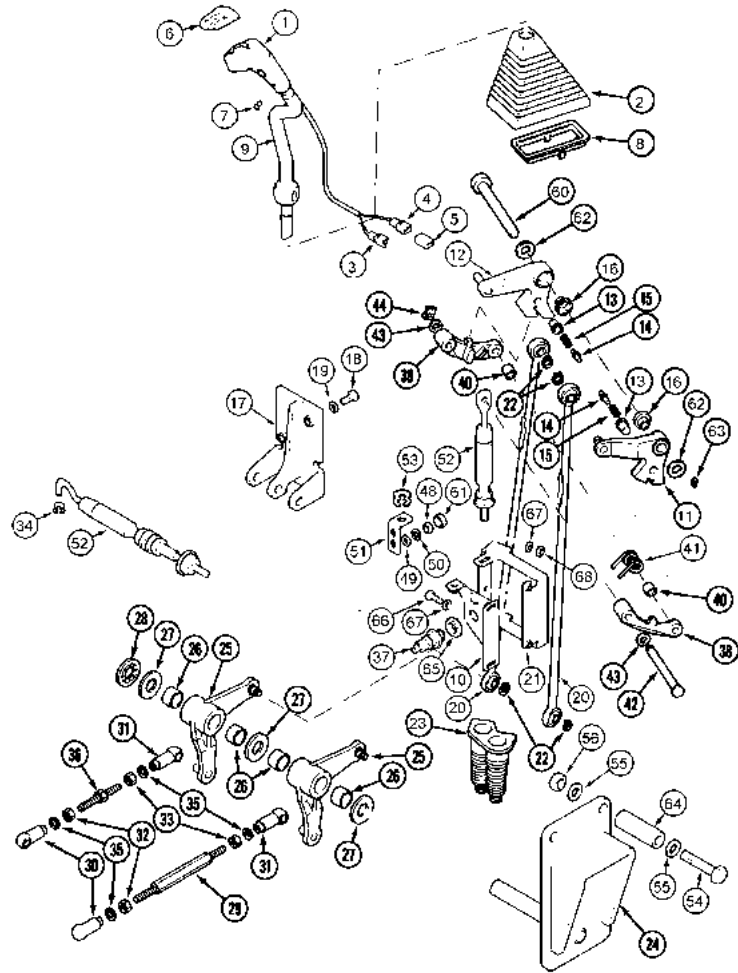
6 - Power Train

6 -
039

RANGE SHIFT CONTROLS

XTX Series XTX185, XTX200, XTX215 (2005-2007)

6039



- | | | | | |
|----|-----------|--|---|--------------|
| 1 | 710791A1 | | 1 | HANDLE |
| 2 | 1533271C1 | | 1 | BELLOWS |
| 3 | 225294C1 | | 1 | COMPLIANCE |
| 4 | 222136A1 | | 1 | COMPLIANCE |
| 5 | 222848A1 | | 1 | SPRAG |
| 6 | 393181A1 | | 1 | CAP |
| 7 | 864-4016 | | 1 | SCREW |
| 8 | 241536A1 | | 1 | FRAME |
| 9 | 700220A1 | ● 6511629M2 (1) | 1 | LEVER |
| 10 | 711143A1 | | 1 | SUPPORT |
| 11 | 311736A1 | ● 6507653M91 (1) | 1 | ARM |
| 12 | 311737A1 | ● 6507654M91 (1) | 1 | ARM |
| 13 | 1534604C1 | ● N.L.S. (1) | 1 | RING |
| 13 | 1534651C1 | ● N.L.S. (2)
T102057 (2)
T102181 (2) | 2 | Bushing Assy |
| 14 | T102057 | | 1 | Pin |

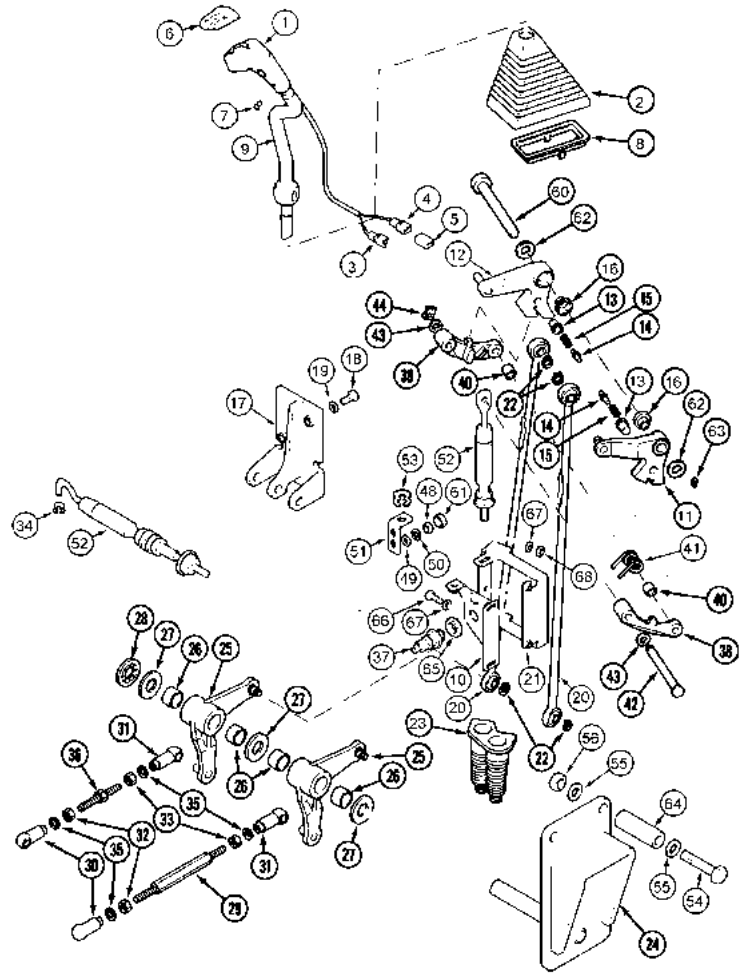
6 - Power Train

6 -
039

RANGE SHIFT CONTROLS

XTX Series XTX185, XTX200, XTX215 (2005-2007)

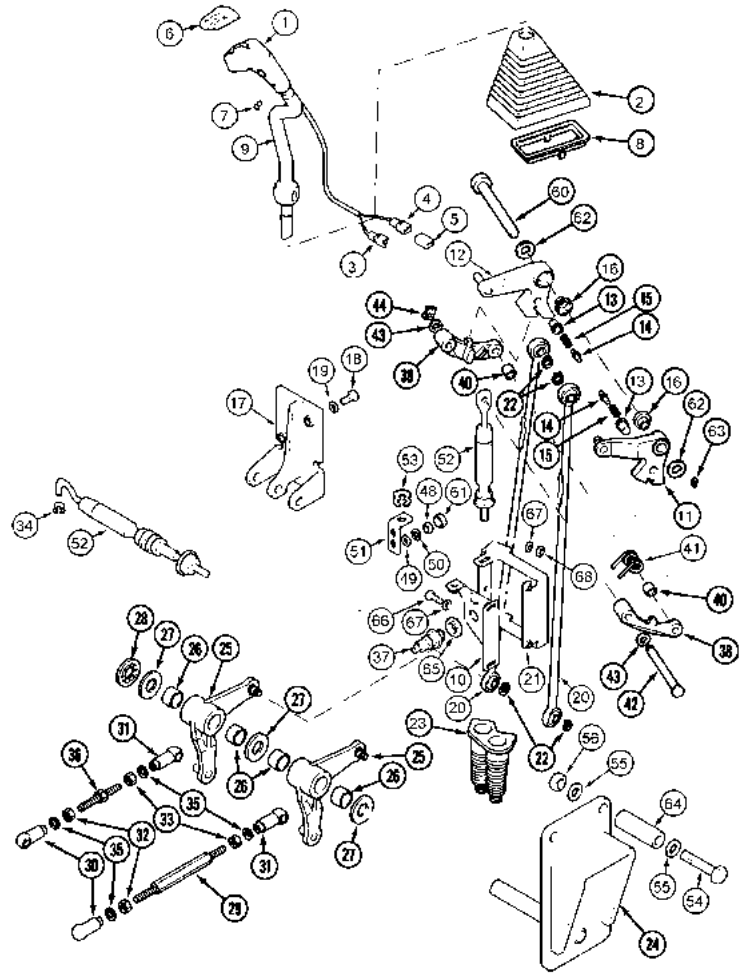
6039



- | | | | | |
|----|-----------|----------------|---|----------|
| 15 | T102181 | | 1 | SPRING |
| 16 | T101960 | | 2 | BUSH |
| 17 | 309397A1 | | 1 | RETAINER |
| 18 | 614-6016 | | 2 | BOLT |
| 18 | 614-6020 | ● 339666X1 (2) | 2 | BOLT |
| 19 | 895-11006 | ● 390971X1 (2) | 2 | WASHER |
| 20 | 709991A2 | | 1 | Rod Assy |
| 21 | 711140A1 | | 1 | SUPPORT |
| 22 | 800-437 | | 4 | RING |
| 23 | 276599A1 | | 1 | BELLOWS |
| 24 | 237238A1 | | 1 | STRAP |
| 25 | 318468A1 | | 2 | LEVER |
| 25 | 318469A1 | | 2 | LEVER |
| 26 | 1533538C1 | | 2 | BUSH |

XTX Series XTX185, XTX200, XTX215 (2005-2007)

6039



6,6 x 12 x 1,6 mm

Left

Right

M6 x 16; 8,8

Consists Of: 13,14,15

Includes: 2 - 7

Includes: 26

M6 x 20; 8,8

7 mm

M4 x 16;8.8

With Switch

Includes: 1534651C1

1st AND 2nd GEAR

3rd AND 4th GEAR

Use With: 222136A1

CONTINUED

B

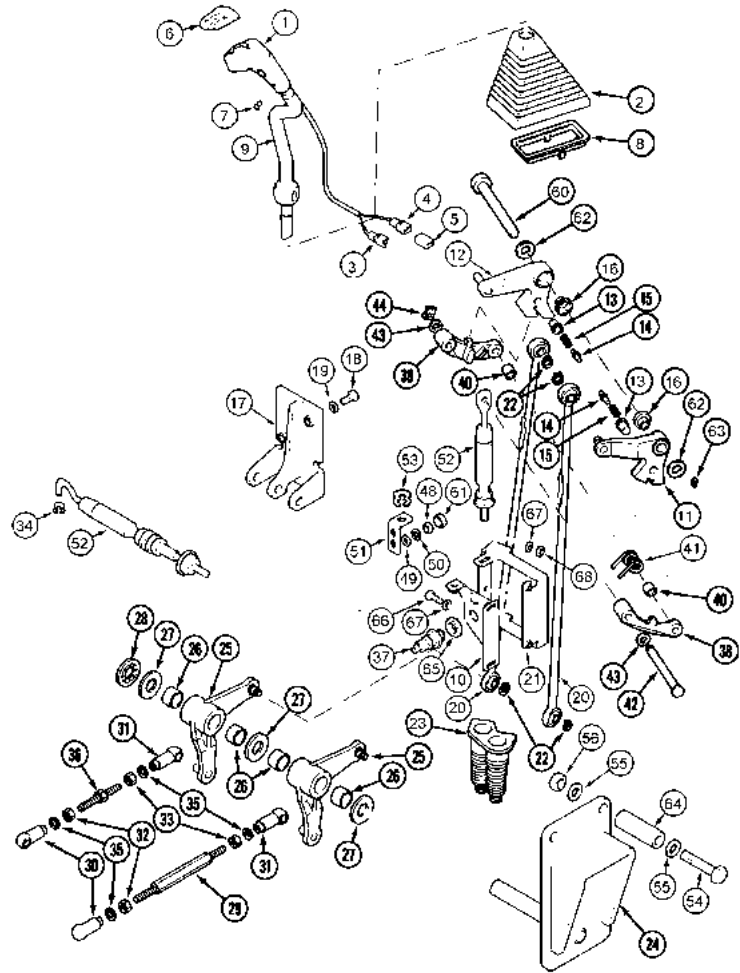
6 - Power Train

6 -
041

RANGE SHIFT CONTROLS

XTX Series XTX185, XTX200, XTX215 (2005-2007)

6041



- | | | | |
|----|-----------------|---|------------|
| 27 | T102217 | 3 | WASHER |
| 28 | 1533658C1 | 1 | CLIP |
| 29 | 318473A2 | 1 | Rod |
| 30 | T103566 | 2 | SOCKET |
| 31 | T103567 | 2 | SOCKET |
| 32 | 933618R1 | 2 | NUT |
| 33 | 905852R1 | 2 | NUT |
| 34 | 229667A1 | 1 | CLIP |
| 34 | 800-436 | 1 | RING |
| 35 | 3233348R1 | 4 | TIE |
| 36 | 318474A1 | 1 | ROD |
| | ● 2775104R2 (1) | | |
| 37 | 177499A2 | 4 | SWITCH |
| 38 | 120188A2 | 1 | LEVER |
| 39 | 120189A1 | 1 | LEVER |
| 40 | 120191A2 | 2 | DRIVING |
| 41 | 131688A3 | 1 | SPRING |
| 42 | 120190A1 | 2 | CLEVIS PIN |
| 42 | 309399A1 | 2 | CLEVIS PIN |
| 43 | 933907R1 | 2 | WASHER |
| 44 | T102674 | 2 | CLIP |
| 48 | 829-1406 | 2 | NUT |

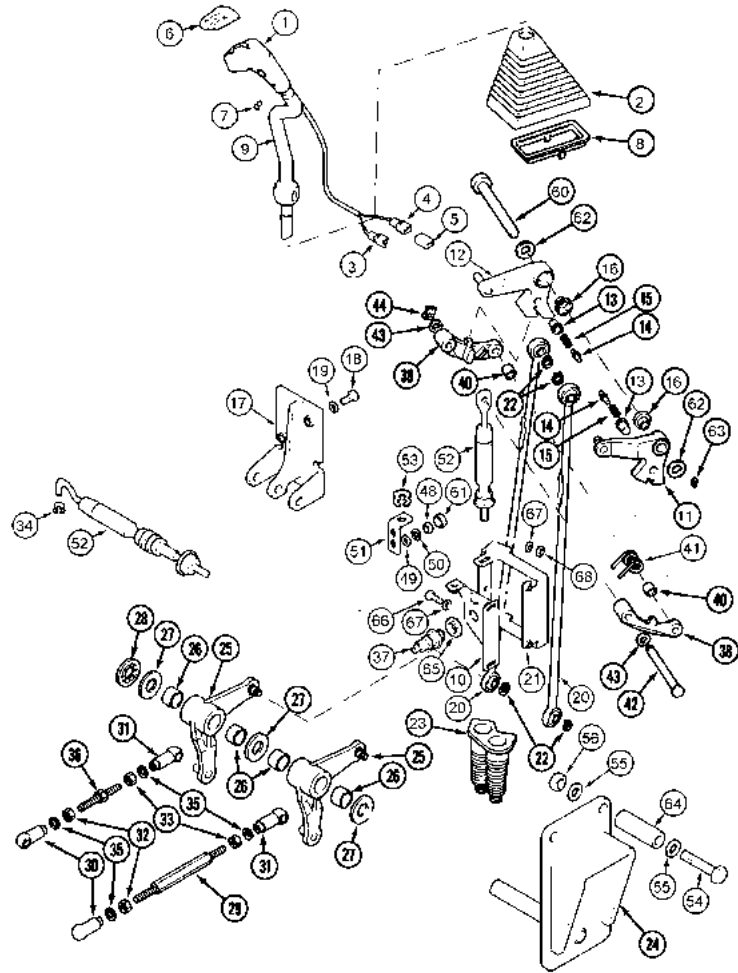
6 - Power Train

6 -
041

RANGE SHIFT CONTROLS

XTX Series XTX185, XTX200, XTX215 (2005-2007)

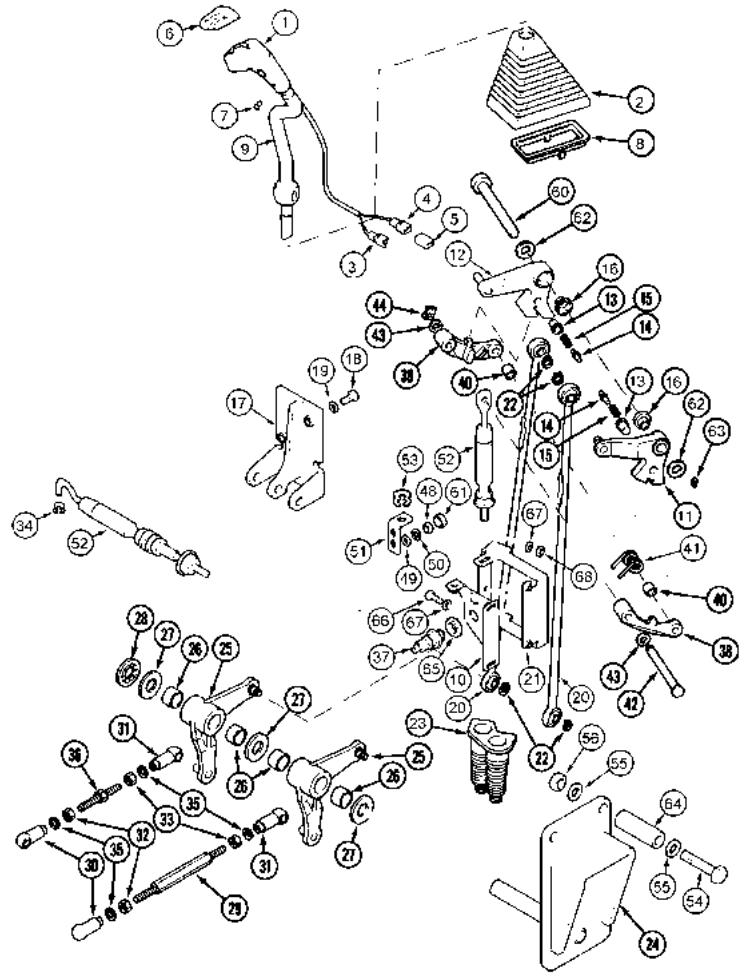
6041



- | | | | | | |
|----|-----------|---|----------------|---|------------|
| 49 | 895-11006 | ● | 390971X1 (2) | 2 | WASHER |
| 50 | 892-11006 | | | 2 | WASHER |
| 51 | 245753A1 | | | 1 | STRAP |
| 52 | 245843A2 | ● | 6509624M92 (1) | 1 | CABLE |
| 53 | 800-4313 | | | 1 | RING |
| 54 | 814-12080 | | | 2 | BOLT |
| 55 | 896-11012 | ● | 3667437M1 (4) | 4 | WASHER |
| 56 | 829-1412 | | | 2 | NUT |
| 60 | 234408A2 | | | 1 | CLEVIS PIN |
| 61 | 3221725R1 | | | 1 | CAP |
| 62 | T102056 | | | 2 | WASHER |
| 63 | 307233A1 | | | 1 | SCREW |
| 64 | 321772A1 | ● | 321772A2 (2) | 2 | DRIVING |
| 65 | 188603A1 | | | 6 | NUT |
| 66 | 614-6012 | | | 3 | BOLT |
| 67 | 895-11006 | ● | 390971X1 (5) | 5 | WASHER |
| 68 | 825-1406 | | | 2 | NUT |

XTX Series XTX185, XTX200, XTX215 (2005-2007)

6041



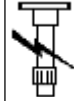
- 6,6 x 12 x 1,6 mm
- M6 x 12; 8,8
- Left
- Right
- M8
- M6
- 6 mm
- M16
- M6; 10
- M12; 10
- 13 mm
- 8 mm
- LH Thread
- 13.5 mm
- 6 x 45 mm
- M12 x 80
- 6 x 8 mm
- 1st AND 2nd GEAR
- 3rd AND 4th GEAR
- 6 x 54 mm

6 - Power Train

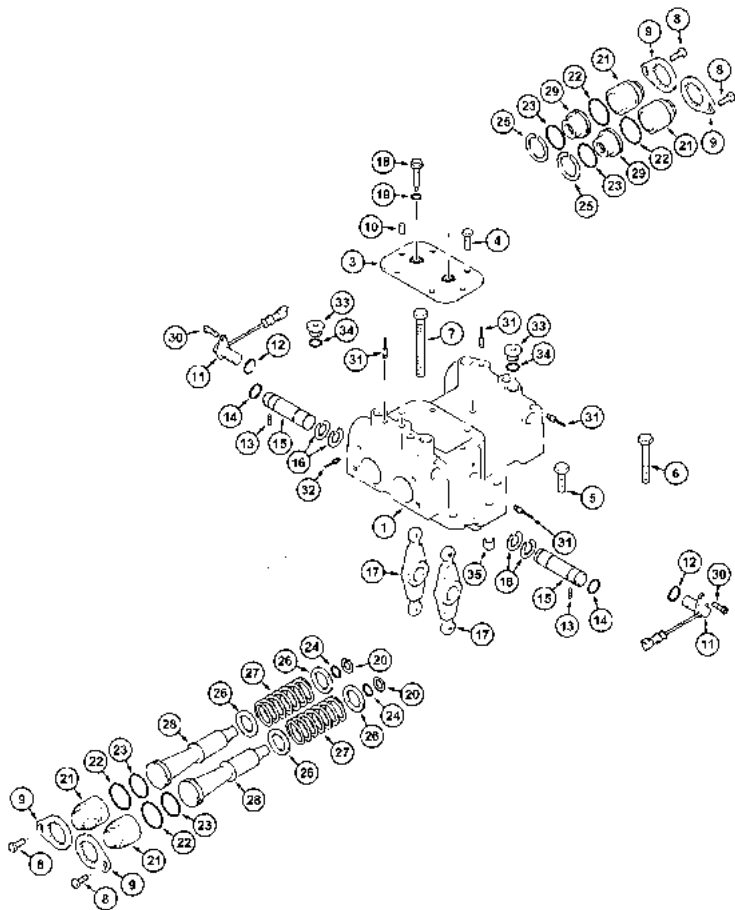
6 -
043

XTRASPEED-E / EPLUS

XTX Series XTX185, XTX200, XTX215 (2005-2007)



6043



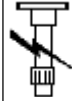
- | | | | |
|----|-----------|---|---------|
| 1 | 702961A1 | 1 | HOUSING |
| 3 | 705709A1 | 1 | Cover |
| 4 | 628-6016 | 4 | BOLT |
| 5 | 628-10035 | 6 | SCREW |
| 6 | 814-10100 | 1 | SCREW |
| 7 | 815-10140 | 1 | BOLT |
| 8 | 627-6012 | 4 | SCREW |
| 9 | TBA | 4 | Plate |
| 10 | 837-8016 | 2 | PIN |
| 11 | 709255A3 | 2 | SENSOR |
| 12 | NSS | 1 | O-Ring |
| 13 | 3009712X1 | 2 | SCREW |
| 14 | 3019914X1 | 2 | O RING |
| 15 | 705707A1 | 2 | PIN |
| 16 | 1442373X1 | 4 | RING |
| 17 | 705708A1 | 2 | LEVER |
| 18 | 708288A1 | 2 | SCREW |
| 19 | 1442621X1 | 2 | RING |
| 20 | 339356X1 | 2 | RING |
| 21 | 705711A1 | 4 | PLUG |
| 22 | 3015507X1 | 4 | RING |
| 23 | 359261X1 | 4 | RING |
| 24 | 3019914X1 | 2 | O RING |
| 25 | 390936X1 | 2 | RING |

6 - Power Train

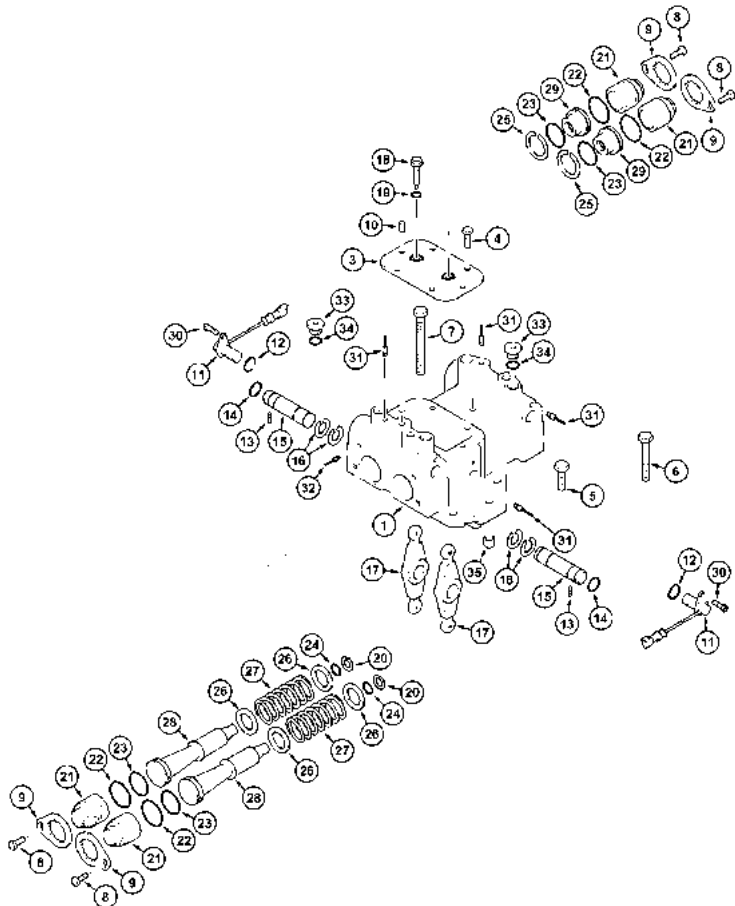
6 -
043

XTRASPEED-E / EPLUS

XTX Series XTX185, XTX200, XTX215 (2005-2007)

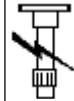


6043

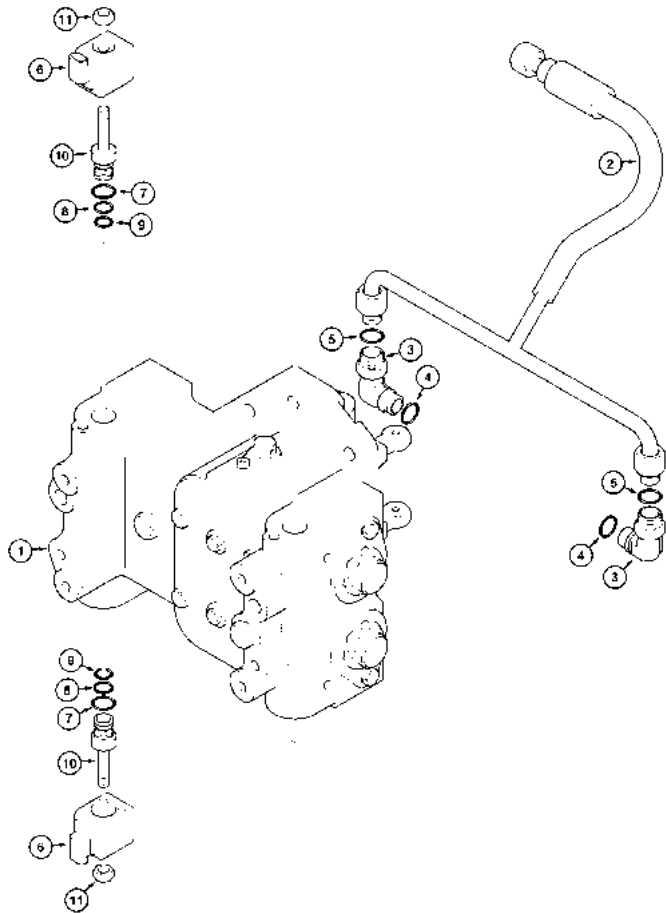


- | | | | |
|----|---------------------------|---|---------|
| 26 | 3558419M2 | 4 | WASHER |
| 27 | 358425M2 | 2 | Spring |
| 28 | 705710A1 | 2 | PISTON |
| 29 | 3657238M1 | 2 | THIMBLE |
| 30 | 614-6012 | 2 | BOLT |
| 31 | 1345888C1 ● 1345888C2 (6) | 6 | PLUG |
| 32 | 139312A1 ● 139312A2 (4) | 4 | PLUG |
| 33 | 221576A1 | 4 | Plug |
| 34 | 637-63113 | 1 | RING |
| 35 | A50011 | 2 | LINER |
- M6 x 12; 8,8
Includes: 12
6 mm
M14
M6 x 12; 10,9
11,3 ID x 2,2 mm
Includes: 34
8 mm
M10 x 35; 10,9
8 x 16 mm
M6 x 16; 10,9
5V/35mm
M10 x 100
M10 x 140; 8,8
M20 x 85

XTX Series XTX185, XTX200, XTX215 (2005-2007)



6045



- 1 702961A1
- 2 709582A2
- 3 700-304
- 4 637-64296
- 5 238-6012
- 6 710102A1
- 7 TBA
- 8 TBA
- 9 TBA
- 10 TBA
- 11 TBA

- 1 HOUSING
- 1 TUBE ASSY
- 2 ELBOW
- 1 RING
- 1 INSTANT GA
- 4 VALVE
- 1 O-Ring
- 1 O-Ring
- 1 O-Ring
- 1 Spool
- 1 Nut

Includes: 4,5

Includes: 7 - 11

3/8 ID x 1/16

29,6 ID x 2,9 mm

See Page(s): 6-43

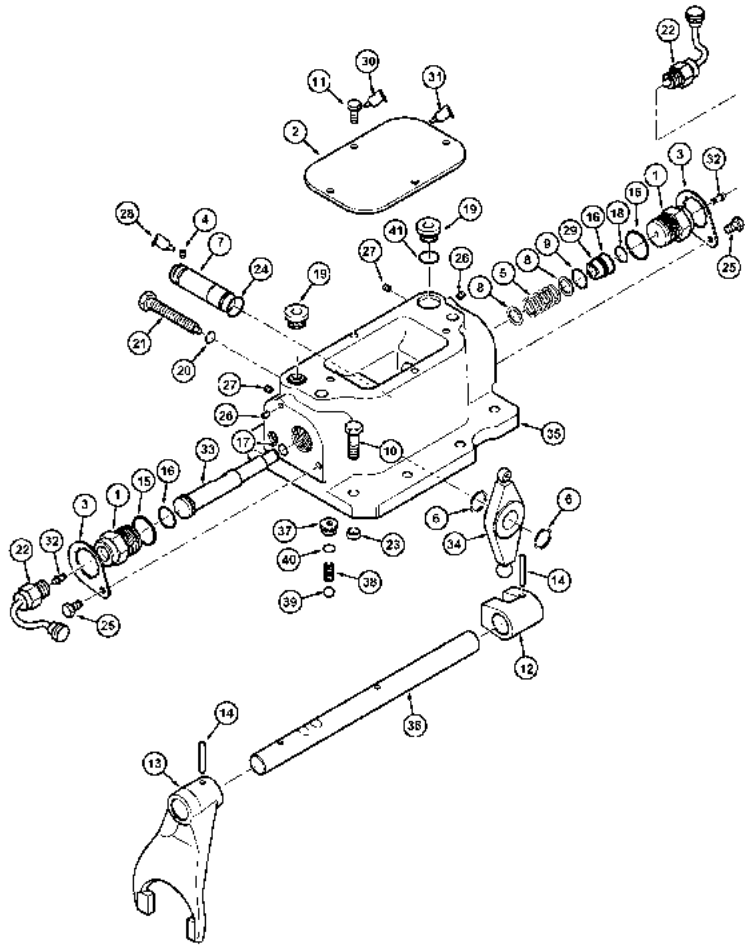
6 - Power Train

6 -
047

CREEP SPEED CONTROL

XTX Series XTX185, XTX200, XTX215 (2005-2007)

6047



- | | | | |
|----|-----------|---|-----------|
| 1 | 711880A1 | 2 | Plug |
| 2 | 705705A1 | 1 | Cover |
| 3 | 3656643M1 | 2 | PLATE |
| 4 | 3009712X1 | 1 | SCREW |
| 5 | 3649040M1 | 1 | SPRING |
| 6 | 1442373X1 | 2 | RING |
| 7 | 705699A1 | 1 | Pin |
| 8 | 3649041M1 | 2 | WASHER |
| 9 | 339657X1 | 1 | RING |
| 10 | 614-10030 | 8 | BOLT |
| 11 | 614-8020 | 4 | SCREW |
| 12 | 705701A1 | 1 | SLIDE |
| 13 | 705696A1 | 1 | Fork Assy |
| 14 | 837-6030 | 2 | Pin |
| 15 | 3015507X1 | 2 | RING |
| 16 | 712715A1 | 2 | RING |
| 17 | 3015300X1 | 1 | RING |
| 18 | 339069X1 | 1 | RING |
| 19 | 221576A1 | 2 | Plug |
| 20 | 1442621X1 | 1 | RING |
| 21 | 705695A1 | 1 | Screw |
| 22 | 711980A1 | 2 | SENSOR |
| 23 | A50011 | 2 | LINER |
| 24 | 3019914X1 | 1 | O RING |
| 25 | 627-6012 | 2 | SCREW |

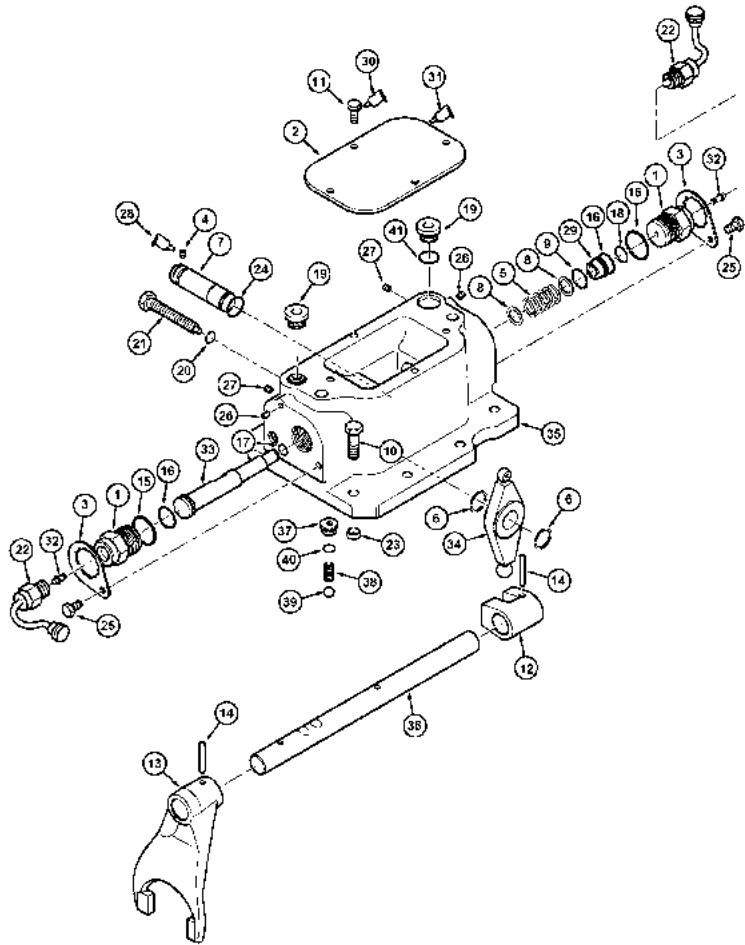
6 - Power Train

6 -
047

CREEP SPEED CONTROL

XTX Series XTX185, XTX200, XTX215 (2005-2007)

6047



26	139312A1	●	139312A2 (2)	2	PLUG
27	3388607M1			2	PLUG
28	345-49			1	ADHESIVE
29	706072A1			1	SLEEVE
30	345-75	●	3303219M1 (1)	1	LOCTITE
31	345-118	●	B17555 (1)	1	LOCTITE
32	3667761M1			2	PIN
33	705698A1	●	702963A2 (1) 705698A2 (1)	1	PISTON
34	705697A1			1	Lever
35	702963A2			1	HOUSING
36	705700A1			1	RAIL
37	221577A1			1	PLUG
38	249143A1			1	SPRING
39	511-10120			1	BALL
40	637-63133			1	GASKET
41	637-63113			1	RING

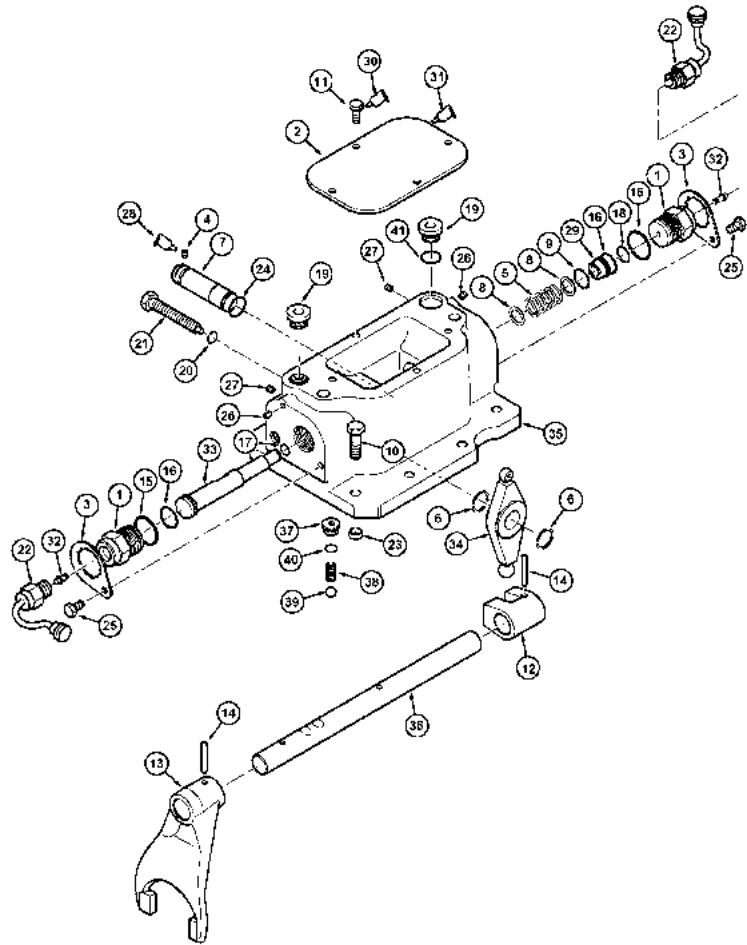
6 - Power Train

6 -
047

CREEP SPEED CONTROL

XTX Series XTX185, XTX200, XTX215 (2005-2007)

6047



- M10 x 30; 8,8
- M8 x 20; 8,8
- 6 mm
- M16
- M14
- 6 ml
- 13,3 ID x 2,2
- M6 x 12; 10.9
- 1 ml
- 11,3 ID x 2,2 mm
- 6 x 30 mm
- Includes: 41
- Includes: 40
- 29 x 3.5 mm
- 11 x 1.78 mm

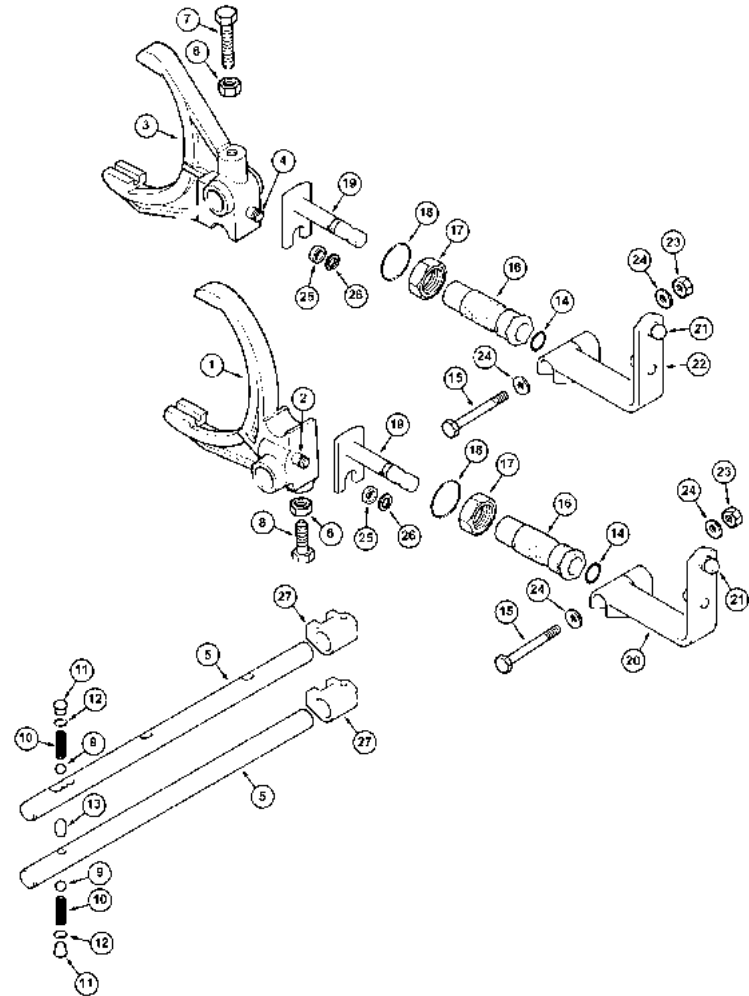
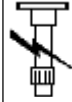
6 - Power Train

6 -
049

RANGE SHIFT LINKAGE

XTX Series XTX185, XTX200, XTX215 (2005-2007)

6049



- | | | | |
|----|-----------|---|-------------|
| 1 | 230802A1 | 1 | TREE FORK |
| 2 | A183146 | 1 | CLEVIS PIN |
| 3 | 705702A1 | 1 | FORK |
| 3 | A188237 | 1 | PRONGS |
| 4 | A183146 | 1 | CLEVIS PIN |
| 5 | 296793A1 | 2 | SLIDE |
| 5 | 705703A2 | 2 | Rail, Shift |
| 6 | 829-1310 | 2 | NUT |
| 7 | 1345713C1 | 1 | SCREW |
| 8 | 1345714C1 | 1 | SCREW |
| 9 | 511-10120 | 2 | BALL |
| 10 | 249143A1 | 2 | SPRING |
| 11 | 221577A1 | 2 | PLUG |
| 12 | 637-63133 | 1 | GASKET |
| 13 | 296794A1 | 1 | PIN |

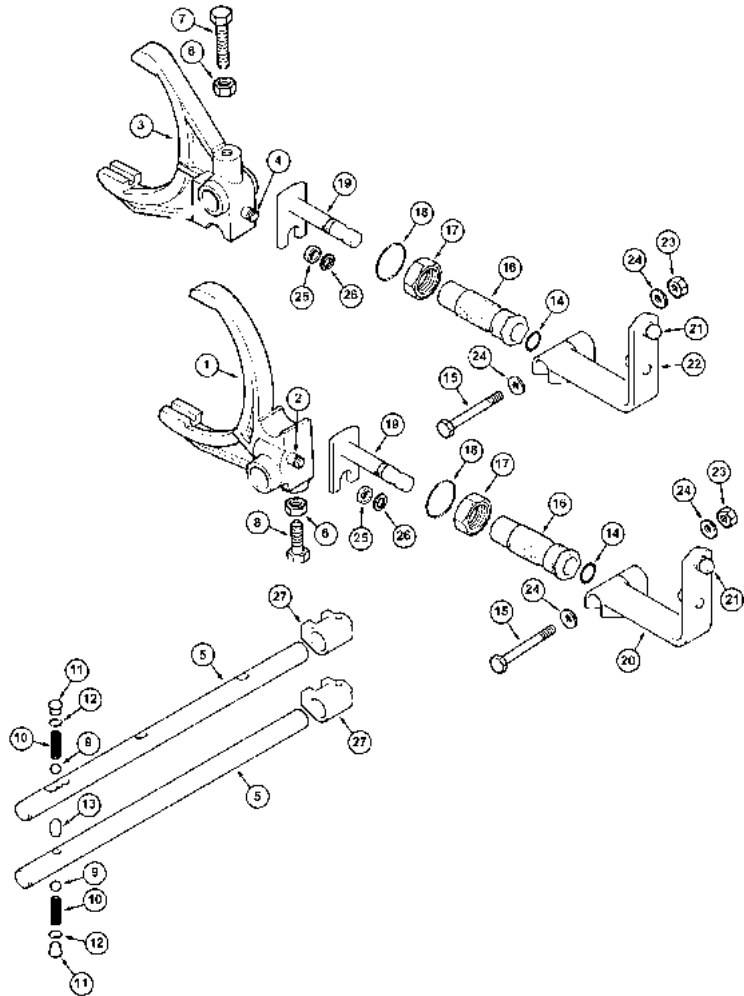
6 - Power Train

6 -
049

RANGE SHIFT LINKAGE

XTX Series XTX185, XTX200, XTX215 (2005-2007)

6049



- | | | | | |
|----|-----------|----------------|---|------------|
| 14 | 638-52150 | | 2 | INSTANT GA |
| 15 | 828-12070 | | 2 | BOLT |
| 16 | A188301 | | 2 | BUSH |
| 17 | 218-1280 | | 2 | NUT |
| 18 | 237-6012 | | 2 | O-Ring |
| 19 | 1341113C1 | | 2 | ARM |
| 20 | 393274A2 | | 1 | Lever Assy |
| 21 | 3234708R1 | | 2 | BALL |
| 22 | 315498A1 | ● 315499A1 (1) | 1 | Lever Assy |
| 22 | 399086A2 | | 1 | Lever Assy |
| 23 | 829-1312 | | 2 | NUT |
| 24 | 896-12012 | | 4 | WASHER |
| 25 | A178954 | | 2 | BUSH |
| 26 | 100-3344 | | 2 | RING |
| 27 | 705704A1 | | 2 | GUIDE |

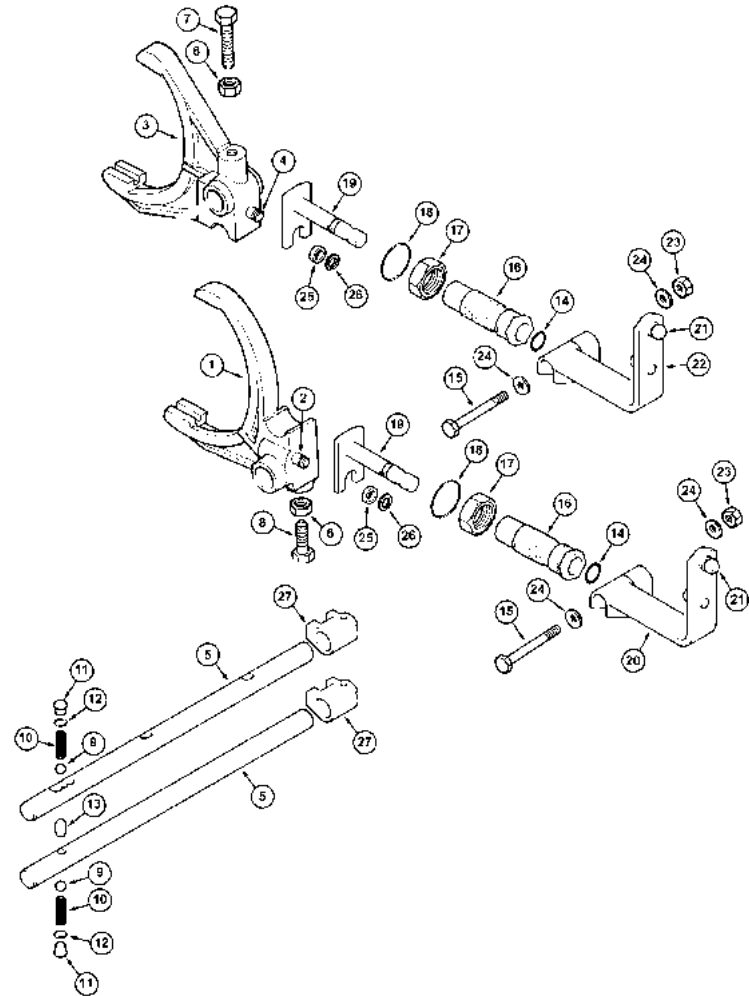
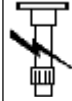
6 - Power Train

6 -
049

RANGE SHIFT LINKAGE

XTX Series XTX185, XTX200, XTX215 (2005-2007)

6049



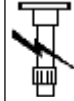
- Includes: 12
- Includes: 2
M16
- Includes: 4
M10 x 45
13,3 ID x 2,2
13,5 x 24 x 3 mm
M12; 10
M10; 10
59/64 ID x 7/64
M10 x 30
M12 x 70; 10,9
- Includes: 21
1st AND 2nd GEAR
3rd AND 4th GEAR
1,8 x 15 mm
1-1/16
XtraSpeed-E/Eplus

6 - Power Train

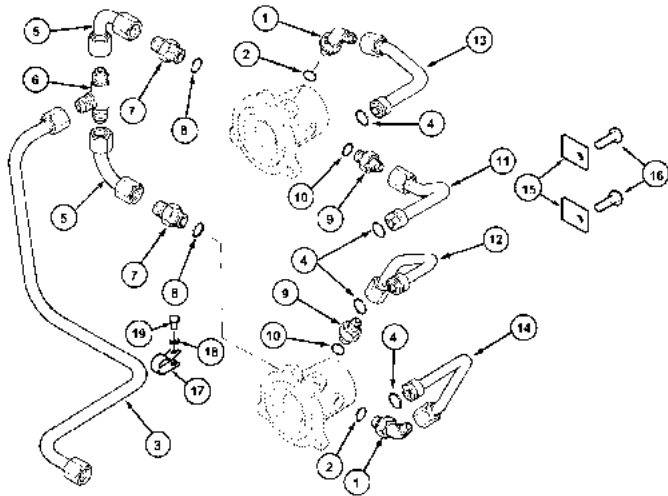
6 -
051

POWERSHIFT TUBES - Without Creep Speed

XTX Series XTX185, XTX200, XTX215 (2005-2007)



6051



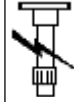
- | | | | |
|----|-----------|---|------------|
| 1 | 218-5135 | 2 | ELBOW |
| 2 | 237-6006 | 1 | INSTANT GA |
| 3 | 228822A1 | 1 | PIPE |
| 4 | 238-5013 | 4 | O RING |
| 5 | A175947 | 2 | FUEL PIPE |
| 6 | 218-594 | 1 | TEEPIECE |
| 7 | 218-5059 | 2 | ACTUATOR |
| 8 | 237-6008 | 1 | INSTANT GA |
| 9 | 218-5057 | 2 | ACTUATOR |
| 10 | 237-6006 | 1 | INSTANT GA |
| 11 | 228810A1 | 1 | FUEL PIPE |
| 12 | 228812A1 | 1 | FUEL PIPE |
| 13 | 228814A1 | 1 | FUEL PIPE |
| 14 | 228816A1 | 1 | FUEL PIPE |
| 15 | 1997126C1 | 2 | RETAINER |
| 16 | 628-8016 | 2 | BOLT |

6 - Power Train

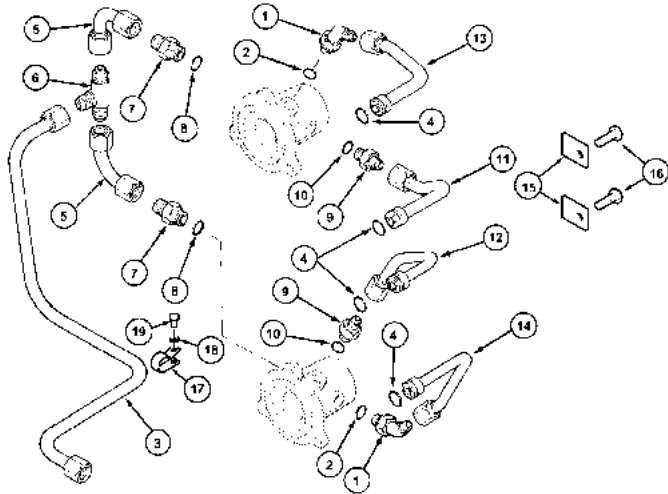
6 -
051

POWERSHIFT TUBES - Without Creep Speed

XTX Series XTX185, XTX200, XTX215 (2005-2007)



6051



- 17 515-22127
- 18 895-11008
- 19 614-8016

- 1 CLAMP
- 1 WASHER
- 1 SCREW

M8 x 16; 8,8
9 x 17 x 1,6 mm
1/2 ID
Includes: 10
Includes: 2
3/4 fl x Or
41/64 ID x 3/32
9/16 fl x Or
Includes: 8
15/32 ID x 5/64
7/16 ID x 1/16
M8 x 16; 10,9
Clutch: 1
Clutch: 2
Clutch: 3
Clutch: 4

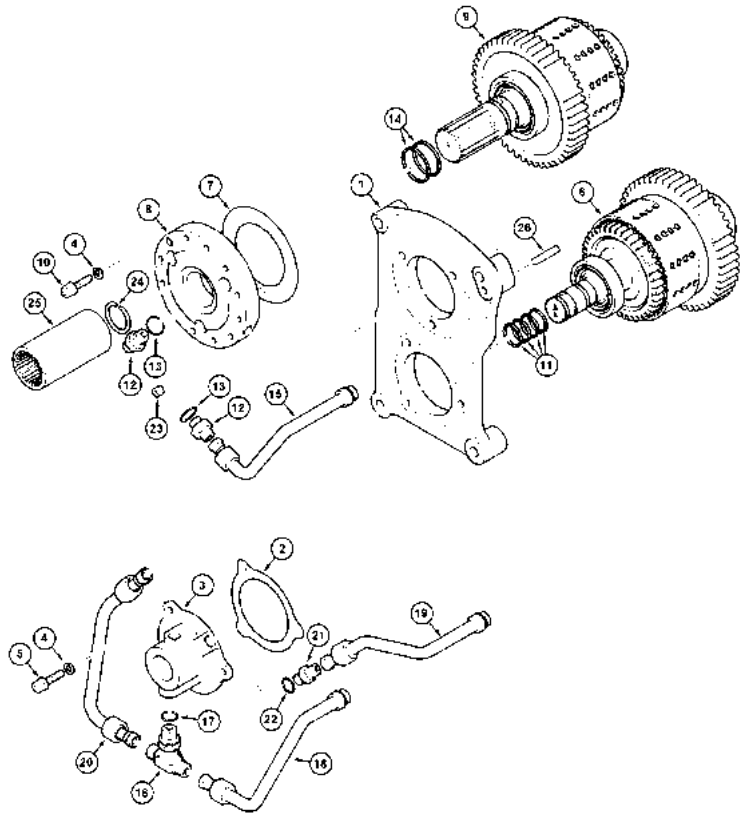
6 - Power Train

6 -
053

POWERSHIFT TUBES

XTX Series XTX185, XTX200, XTX215 (2005-2007)

6053



- | | | | | |
|---|-----------|-----------------|---|--------------|
| 1 | 702871A1 | ● 702871A2 (1) | 1 | PLATE |
| 2 | 600362A1 | | 0 | SHIM |
| 2 | 600363A1 | | 0 | SHIM |
| 2 | 600364A1 | | 0 | SHIM |
| 2 | 600365A1 | | 0 | SHIM |
| 3 | 600075A3 | | 1 | Hub |
| 4 | 892-10010 | | 6 | Washer, Lock |
| 5 | 866-10035 | | 3 | BOLT |
| 6 | 702913A2 | ● 702913A4R (1) | 1 | Shaft Assy |
| 7 | 704458A1 | | 0 | SHIM |
| 7 | 704459A1 | | 0 | SHIM |
| 7 | 704460A1 | | 0 | SHIM |
| 7 | 704461A1 | | 0 | SHIM |
| 8 | 702872A1 | | 1 | HUB |
| 9 | 702915A2 | ● 702915A4R (1) | 1 | Shaft Assy |
| 9 | 708919A2 | ● 708919A4R (1) | 1 | Shaft Assy |

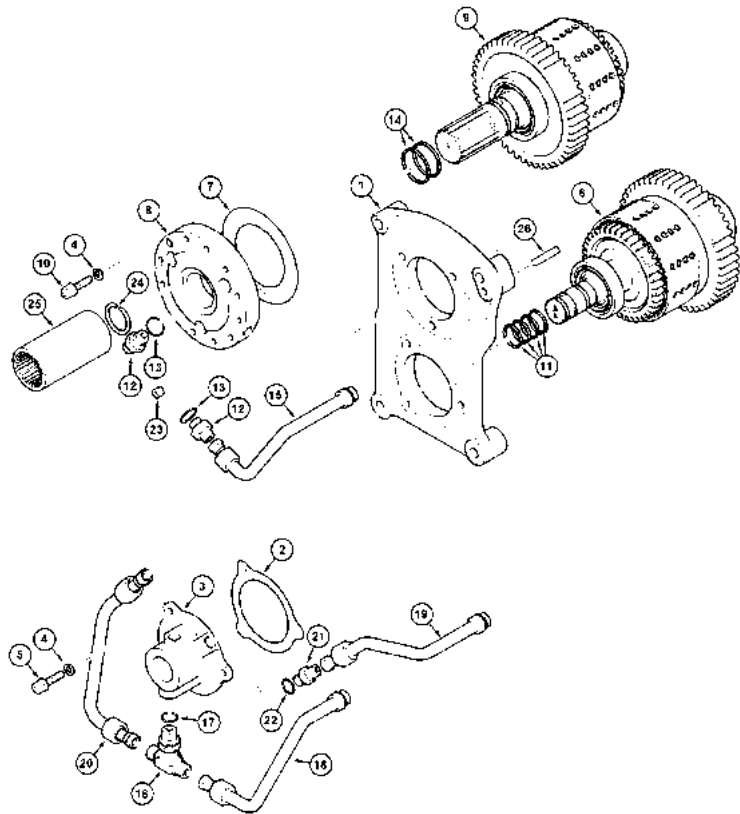
6 - Power Train

6 -
053

POWERSHIFT TUBES

XTX Series XTX185, XTX200, XTX215 (2005-2007)

6053



- | | | | |
|----|---------------------------|---|------------|
| 10 | 868-10035 | 3 | SCREW |
| 10 | 868-10035 | 6 | SCREW |
| 11 | 716576A1 | 4 | GASKET |
| 12 | 218-5057 | 2 | ACTUATOR |
| 13 | 237-6006 | 1 | INSTANT GA |
| 14 | 704262A1 | 2 | SPACER |
| 15 | 706410A1 | 1 | TUBE ASSY |
| 16 | 218-5183 | 1 | COMPLIANCE |
| 17 | 237-6008 | 1 | INSTANT GA |
| 18 | 706571A1 | 1 | TUBE ASSY |
| 19 | 706409A1 | 1 | TUBE ASSY |
| 20 | 706408A1 | 1 | TUBE ASSY |
| 21 | 218-5059 | 1 | ACTUATOR |
| 22 | 237-6008 | 1 | INSTANT GA |
| 23 | 1345889C1 ● 1345889C2 (1) | 1 | PADDING |

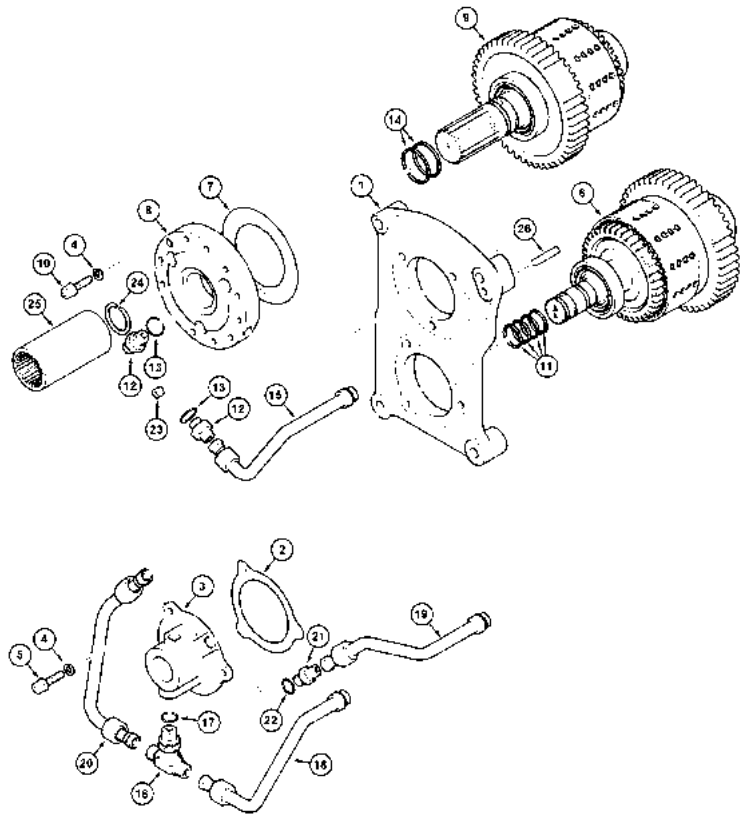
6 - Power Train

6 -
053

POWERSHIFT TUBES

XTX Series XTX185, XTX200, XTX215 (2005-2007)

6053



- | | | | |
|----|-----------|---|-------------|
| 24 | 800-2137 | 1 | Ring, Reta |
| 25 | 702876A1 | 1 | SLEEVE |
| 26 | 837-10020 | 1 | CENTRALISER |

M10

Includes: 13

3/4 fl x Or

Includes: 17

41/64 ID x 3/32

9/16 fl x Or

15/32 ID x 5/64

Includes: 22

With Creep Speed

6,5 mm OD

Without Creep Speed

10 x 20 mm

M10 x 35; 12,9

0,127 mm

0,254 mm

0,635 mm

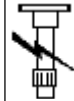
0,0762 mm

37 mm

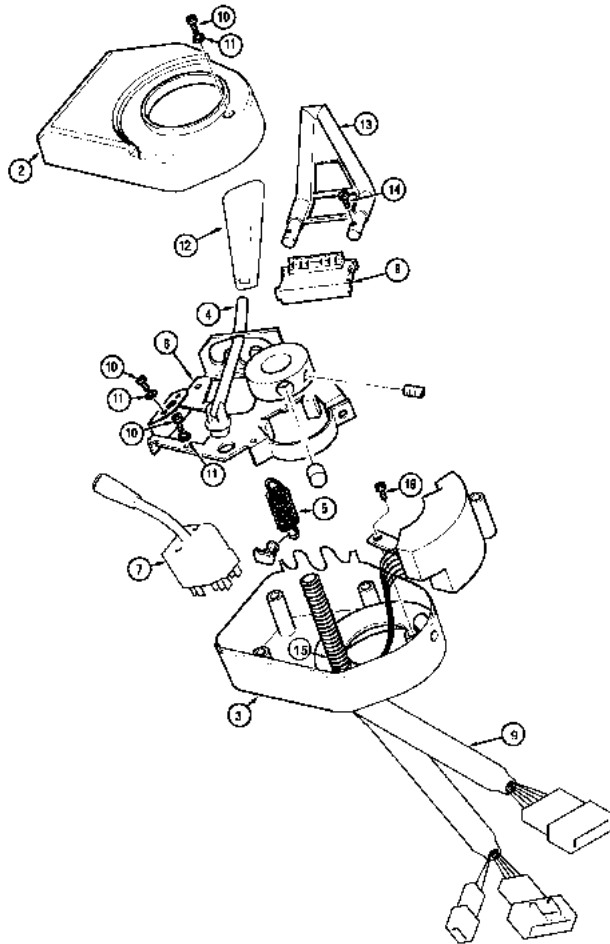
0,0765 mm

M10 x 35; 12.9

XTX Series XTX185, XTX200, XTX215 (2005-2007)



6055



1	710707A1	1	Control Block
1	710811A1	1	Control Block
2	712614A1	1	Cover
3	712615A1	1	Cover
4	710187A1	1	LEVER
5	250939A1	1	SPRING
6	710188A1	1	SUPPORT
7	710189A1	1	SWITCH,IND
8	712616A1	1	FORM PARTS
9	712617A1	1	Harness Assy
9	712618A1	1	Harness Assy
10	840-1410	4	Screw
11	892-11004	6	WASHER
12	325533A1	1	GRIP
13	144625A1	1	Guard Assy
14	905974R1	2	Screw
15	712619A1	1	PROTECTOR
16	710191A1	1	Screw

Upper

LOWER

M4 x 10; 4,8

M4

Manual Control

Automatic Return

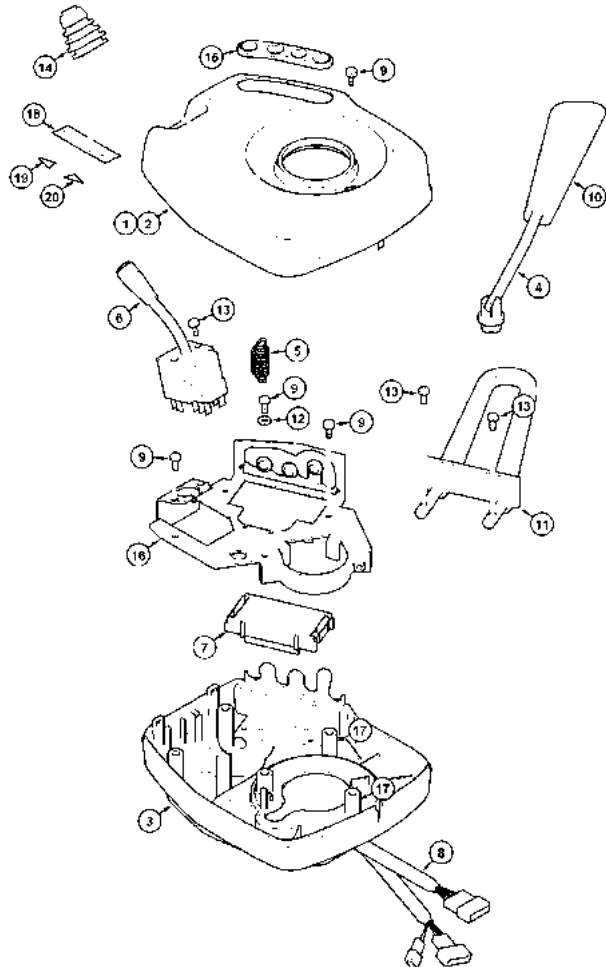
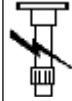
Consists Of: 1 - 8,712618A1,9 - 15

Consists Of: 1 - 8,712617A1,9 - 16

3.9 x 13 mm

XTX Series XTX185, XTX200, XTX215 (2005-2007)

6057



- | | | | |
|----|-----------|---|------------|
| 1 | 705738A1 | 1 | SWITCH |
| 2 | 325064A1 | 1 | Cover |
| 3 | 325065A1 | 1 | Cover |
| 4 | 325533A1 | 1 | GRIP |
| 5 | 250939A1 | 1 | SPRING |
| 6 | 284777A1 | 1 | SWITCH |
| 7 | 447256A2 | 1 | SWITCH,IND |
| 8 | 710708A1 | 1 | HARNESS |
| 9 | 840-1410 | 7 | Screw |
| 10 | NSS | 1 | Lever Assy |
| 11 | 325066A1 | 1 | GUARD |
| 12 | 892-11004 | 7 | WASHER |
| 13 | 905974R1 | 2 | Screw |
| 14 | NSS | 1 | Boot |
| 15 | 358353A1 | 1 | PLATE |
| 16 | 325362A1 | 1 | FRAME |
| 17 | 710961A1 | 5 | INSERT |
| 18 | 303465A2 | 1 | INDICATOR |
| 19 | 303467A1 | 1 | LENS |
| 20 | 303466A1 | 1 | LENS |

Upper

LOWER

Left

Right

Includes: 10

M4 x 10; 4,8

M4

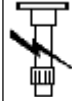
Consists Of: 2 - 20

6 - Power Train

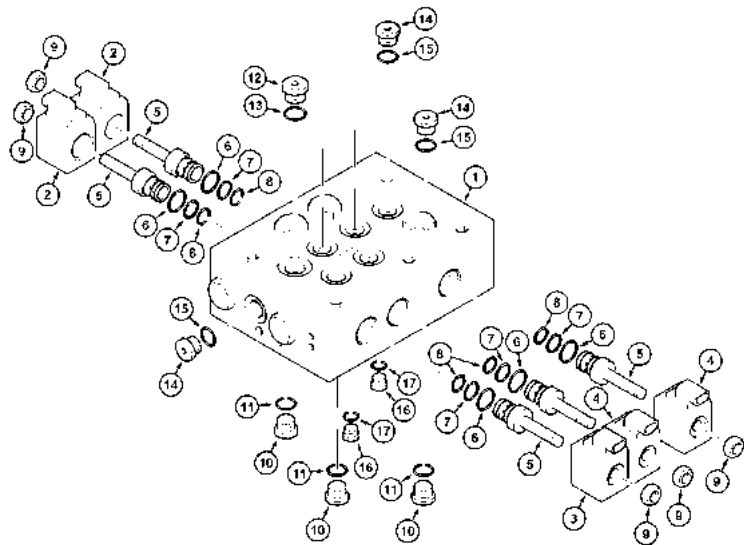
6 -
059

FORWARD / NEUTRAL / REVERSE SHUTTLE VALVE

XTX Series XTX185, XTX200, XTX215 (2005-2007)



6059



- | | | | | |
|----|----------|----------------|---|----------|
| 1 | 709030A2 | | 1 | VALVE |
| 2 | 712674A1 | | 2 | SOLENOID |
| 3 | 710102A1 | | 1 | VALVE |
| 4 | 713204A1 | ● 708924A1 (2) | 2 | VALVE |
| 5 | TBA | | 1 | Spool |
| 6 | TBA | | 1 | O-Ring |
| 7 | TBA | | 1 | O-Ring |
| 8 | TBA | | 1 | O-Ring |
| 9 | TBA | | 1 | Nut |
| 10 | TBA | | 3 | Plug |
| 11 | 708922A1 | ● | 1 | Seal |
| 12 | 713206A1 | | 1 | Plug |
| 13 | TBA | | 1 | O-Ring |
| 14 | 713207A1 | | 6 | Plug |
| 15 | TBA | | 1 | O-Ring |
| 16 | TBA | | 2 | Plug |
| 17 | 713205A1 | | 1 | Seal |

Includes: 15

Includes: 11

Includes: 13

Includes: 17

M14

M18

Includes: 2 - 15

Includes: 5 - 9

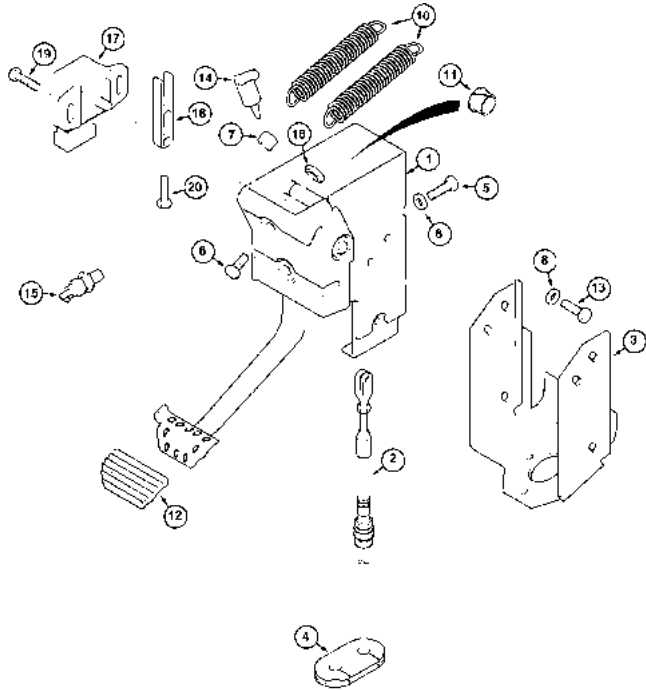
6 - Power Train

6 -
061

CLUTCH PEDAL

XTX Series XTX185, XTX200, XTX215 (2005-2007)

6061



- | | | | | |
|----|-----------|------------------|---|---------|
| 1 | 452454A1 | ● 452454A2 (1) | 1 | PANEL |
| 2 | 284283A1 | ● 6509557M91 (1) | 1 | CABLE |
| 3 | 193345A3 | | 1 | STRAP |
| 4 | 226913A2 | | 1 | WALKWAY |
| 5 | 614-8020 | | 3 | SCREW |
| 6 | 628-16045 | | 1 | BOLT |
| 6 | 628-16060 | | 1 | BOLT |
| 7 | 393994A1 | | 1 | CAP |
| 8 | 895-11008 | | 6 | WASHER |
| 9 | 829-1406 | | 2 | NUT |
| 10 | 284991A1 | | 1 | KIT |
| 11 | NSS | | 1 | Bushing |
| 12 | 282803A1 | | 1 | PLATE |
| 13 | 614-8012 | | 3 | BOLT |
| 14 | 345-600 | | 1 | Loctite |
| 14 | B508932 | | 1 | Loctite |

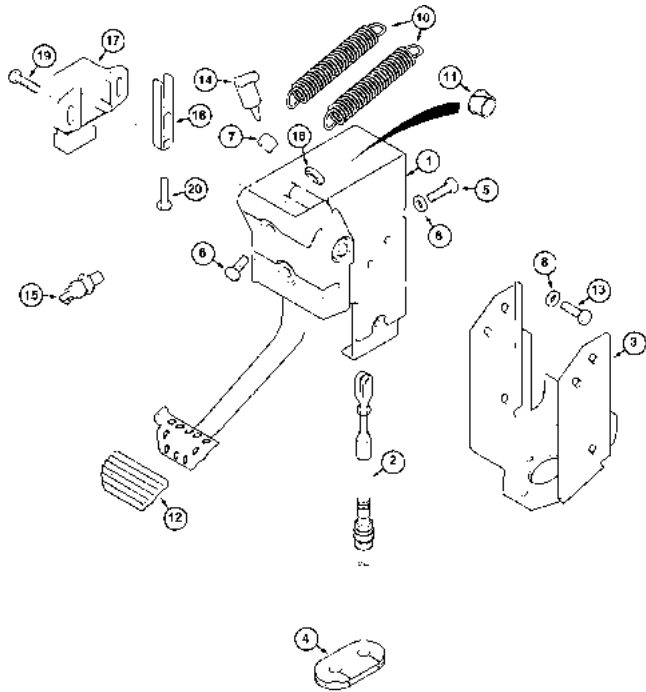
6 - Power Train

6 -
061

CLUTCH PEDAL

XTX Series XTX185, XTX200, XTX215 (2005-2007)

6061



- | | | | |
|----|-----------|---|--------|
| 15 | 177499A2 | 2 | SWITCH |
| 16 | 188603A1 | 1 | NUT |
| 17 | 452453A1 | 1 | SENSOR |
| 18 | 452455A2 | 1 | LEVER |
| 19 | 760-14113 | 2 | SCREW |
| 20 | 878-2048 | 1 | SCREW |

9 x 17 x 1,6 mm

M8 x 12; 8,8

M8 x 20; 8,8

If So Equipped

Includes: 11

Europe Only

N.A. Only

M16

Position

M6; 10

Includes: 16

Clutch

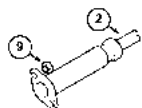
3,5 x 12,7 mm

M4 x 8

M16 x 45; 10,9

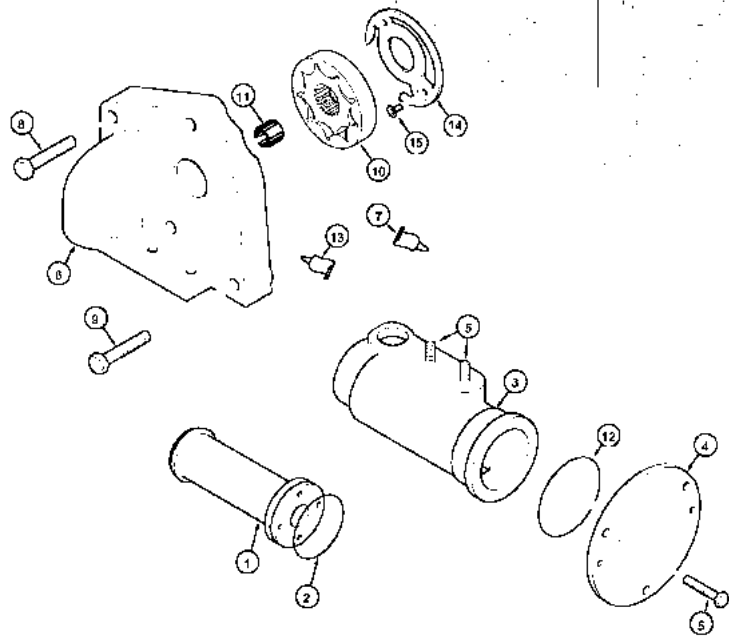
M16 x 60; 10,9

#XTX-E / Eplus



XTX Series XTX185, XTX200, XTX215 (2005-2007)

6063



- | | | | | |
|----|-----------|----------------|---|------------|
| 1 | 240856A3 | | 1 | CHAFFER |
| 2 | 238-5240 | | 1 | INSTANT GA |
| 3 | 230762A2 | | 1 | CRANKCASE |
| 4 | 230763A3 | | 1 | COVER |
| 5 | 628-10030 | | 5 | BOLT |
| 6 | 706032A1 | | 1 | HOUSING |
| 7 | 345-118 | ● B17555 (0) | 0 | LOCTITE |
| 8 | 828-12060 | | 2 | BOLT |
| 9 | 828-12070 | | 2 | BOLT |
| 10 | 707206A1 | ● 231430A1 (1) | 1 | PUMP |
| 11 | 205369R91 | | 1 | ROLL |
| 12 | 238-5155 | | 1 | INSTANT GA |
| 13 | 345-49 | | 1 | ADHESIVE |
| 13 | B17422 | | 0 | LOCTITE |
| 13 | B17577 | | 0 | Loctite |
| 13 | B17578 | | 0 | LOCTITE |
| 14 | 713580A1 | | 1 | Plate |
| 15 | 713821A1 | | 2 | Screw |

Includes: 2

M6 x 10

6 ml

1 ml

50 ml

M12 x 60; 10,9

M12 x 70; 10,9

M10 x 30; 10,9

10 ml

4 ID x 3/32

3-3/4 ID x 1/8

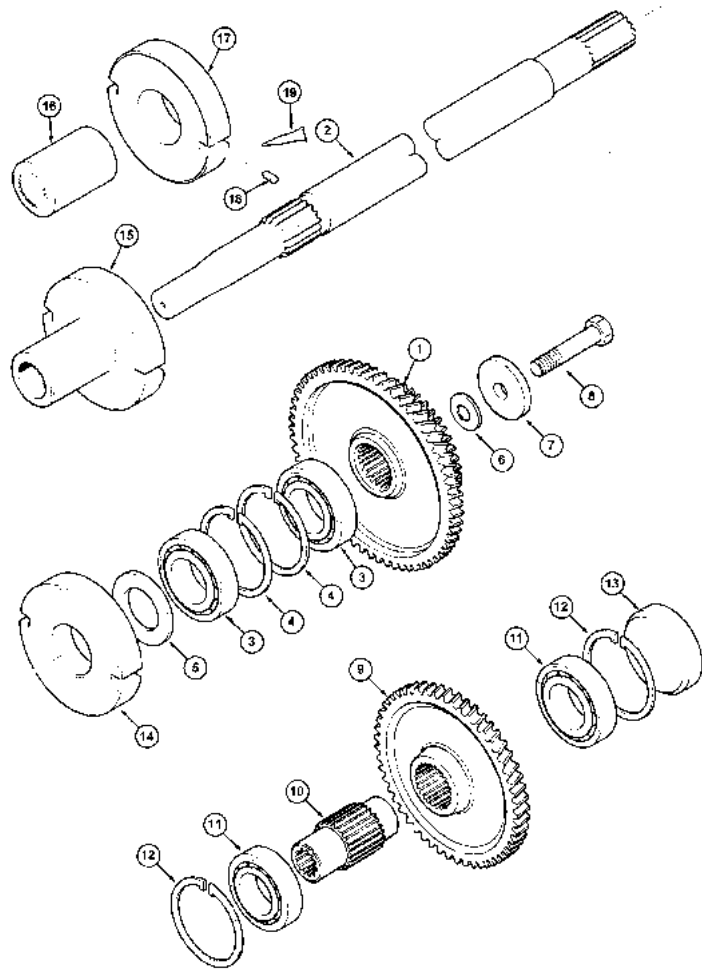
6 - Power Train

6 -
065

POWER TAKE OFF DRIVE

XTX Series XTX185, XTX200, XTX215 (2005-2007)

6065



- | | | | |
|----|-----------|---|---------|
| 1 | 702941A2 | 1 | GEAR |
| 2 | 707171A1 | 1 | SHAFT |
| 3 | 709803A1 | 2 | BEARING |
| 4 | 800-6172 | 2 | RING |
| 5 | 375850A1 | 1 | WASHER |
| 6 | A158879 | 0 | SPRAG |
| 6 | A158880 | 0 | SPRAG |
| 6 | A158881 | 0 | SPRAG |
| 7 | A75206 | 1 | WASHER |
| 8 | 828-12060 | 1 | BOLT |
| 9 | 249311A1 | 1 | PINION |
| 10 | 258034A1 | 1 | SHAFT |
| 11 | 709203A1 | 2 | BEARING |
| 12 | A175867 | 0 | RING |
| 12 | A178626 | 0 | RING |
| 12 | A178627 | 0 | RING |

● RLT010 (2)

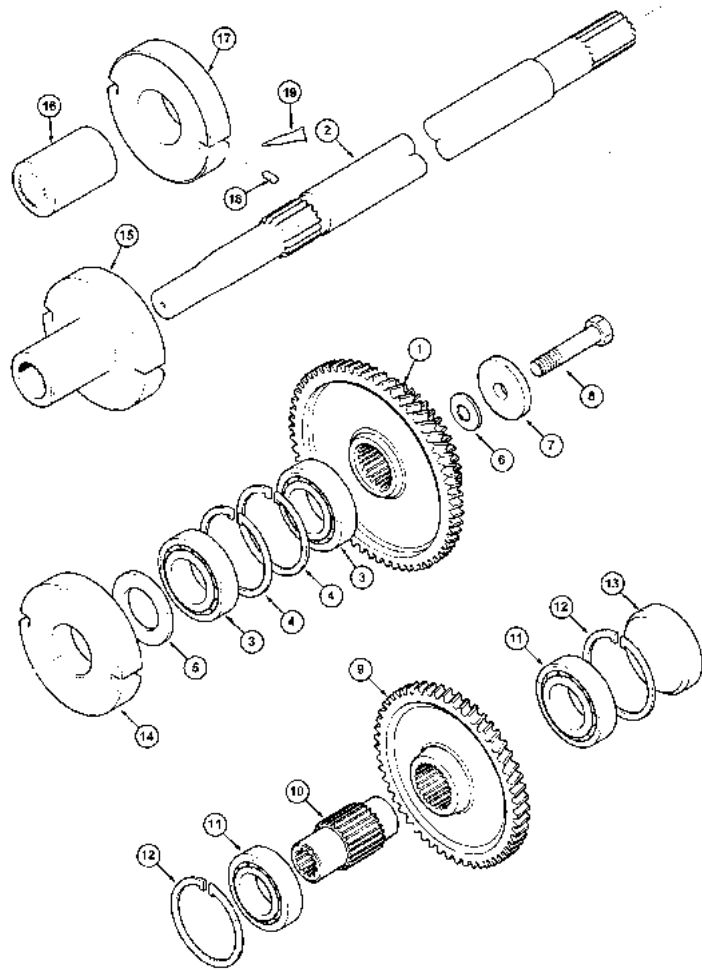
6 - Power Train

6 -
065

POWER TAKE OFF DRIVE

XTX Series XTX185, XTX200, XTX215 (2005-2007)

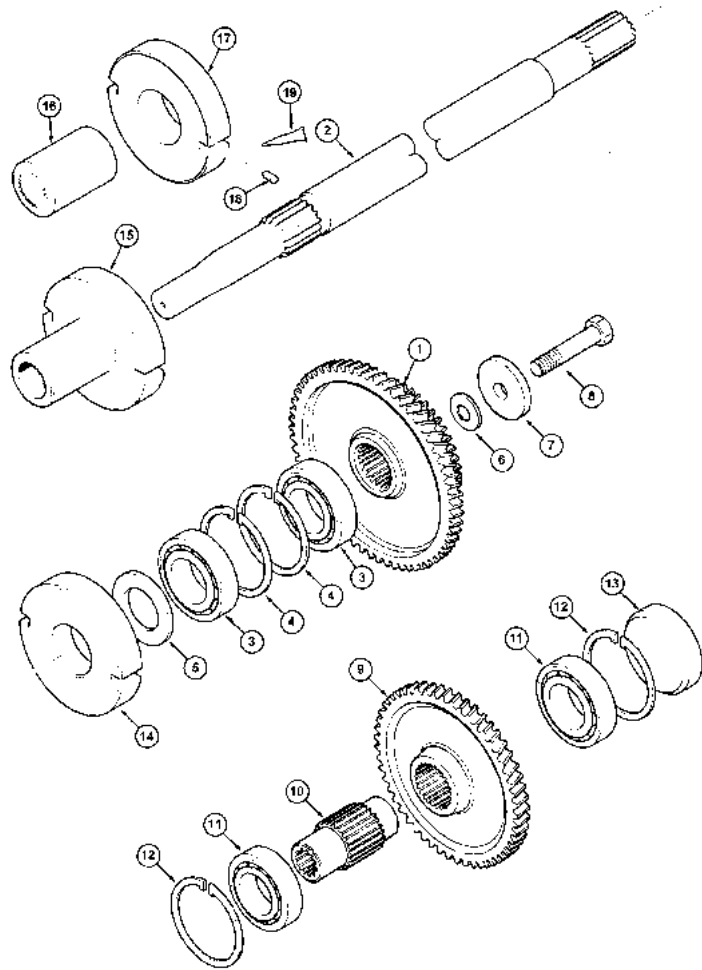
6065



- | | | | | |
|----|-----------|---|---|------------|
| 12 | A178628 | | 0 | RING |
| 12 | A178629 | | 0 | RING |
| 13 | A175414 | | 1 | PLUG |
| 14 | 708822A1 | ● | 1 | Wheel |
| 15 | 713014A1 | ● | 1 | Package, S |
| | | | | |
| 16 | NSS | | 1 | COUPLING |
| 17 | NSS | | 1 | Wheel |
| 18 | 877-20612 | | 1 | SETSCREW |
| 19 | 345-156 | | 1 | LOCTITE |

XTX Series XTX185, XTX200, XTX215 (2005-2007)

6065



Wheel
M12 x 60; 10,9
Consists Of: 16 - 19
0,305 mm
0,077 mm
2,0 mm
1,7 mm
1,5 mm
1,8 mm
1,6 mm
50.8 mm
1,017 mm
P.T.O. Drive
Pump Drive
M6 x 12
62/41T
72 mm
FRONT

D

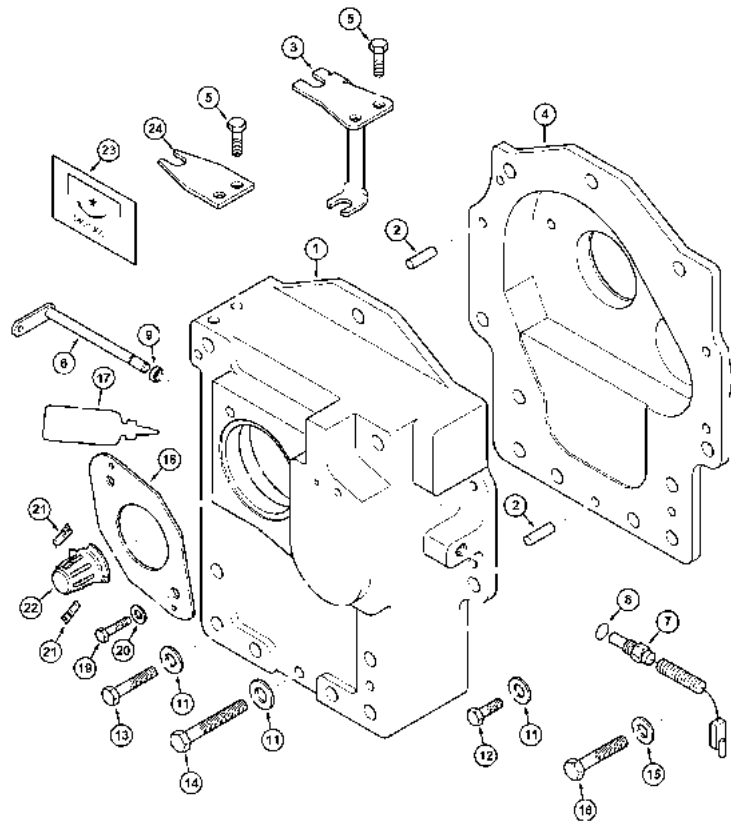
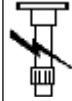
6 - Power Train

6 -
067

P.T.O. HOUSING AND OIL BAFFLE - SHIFTABLE - Europe Only

XTX Series XTX185, XTX200, XTX215 (2005-2007)

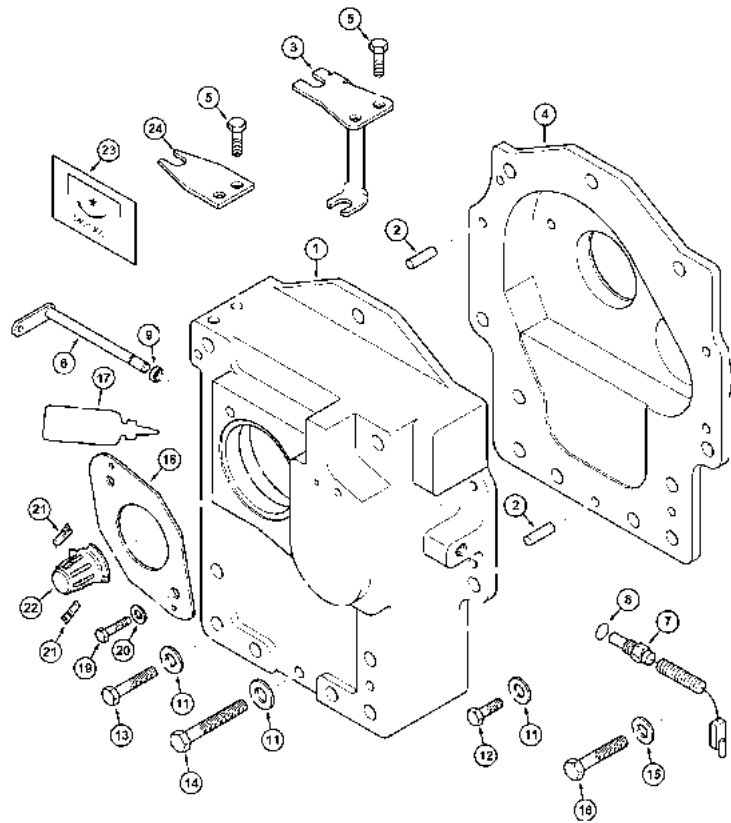
6067



- | | | | | | |
|----|-----------|---|---------------|---|------------|
| 1 | 706697A1 | ● | 706697A2R (1) | 1 | HOUSING |
| 2 | 837-10040 | | | 2 | PIN |
| 3 | TBA | | | 1 | Bracket |
| 4 | 702956A1 | ● | 702955A2 (1) | 1 | Support |
| 5 | 628-12025 | | | 2 | BOLT |
| 6 | 710053A1 | | | 1 | LEVER |
| 7 | 238077A1 | | | 1 | SENDER |
| 8 | 238-5115 | | | 1 | INSTANT GA |
| 9 | A178864 | | | 1 | GASKET |
| 11 | 896-11012 | ● | 3667437M1 (4) | 4 | WASHER |
| 12 | 628-12025 | | | 1 | BOLT |
| 13 | 628-12040 | | | 2 | BOLT |
| 14 | 828-12120 | | | 1 | SCREW |
| 15 | 896-12016 | | | 3 | WASHER |
| 16 | 828-16060 | | | 3 | BOLT |
| 17 | 345-118 | ● | B17555 (0) | 0 | LOCTITE |
| 18 | 710993A1 | | | 1 | Plate |

XTX Series XTX185, XTX200, XTX215 (2005-2007)

6067



- | | | | |
|----|-----------|---|---------|
| 19 | 614-10025 | 2 | BOLT |
| 20 | 896-11010 | 2 | WASHER |
| 21 | 1973955C1 | 2 | SPRING |
| 22 | 1973953C1 | 1 | MUFF |
| 23 | 1092074R2 | 1 | LOCKNUT |
| 24 | 710051A1 | 1 | SUPPORT |

11 x 21 x 2,5 mm

Includes: 2

M10 x 25; 8,8

17,5 x 30 x 4 mm

6 ml

11/16 ID x 7/8

M12 x 40; 10,9

13.5 mm

540/1000

M12 x 120

M12 x 25; 10,9

M16 x 60; 10,9

P.T.O. Speed Indicator

10 x 40 mm

See Page(s): 6-79,81

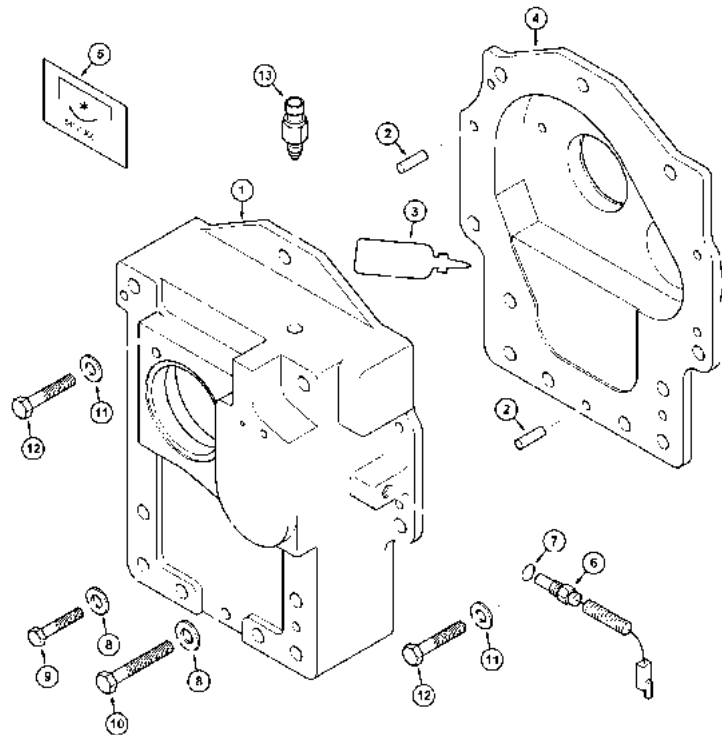
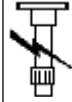
6 - Power Train

6 -
069

P.T.O. HOUSING AND OIL BAFFLE - N.A. Only

XTX Series XTX185, XTX200, XTX215 (2005-2007)

6069



- | | | | | |
|----|-----------|----------------|---|-------------|
| 1 | 706707A1 | | 1 | HOUSING |
| 2 | 837-10040 | | 2 | PIN |
| 3 | 345-118 | ● B17555 (0) | 0 | LOCTITE |
| 4 | 702955A1 | ● 702955A2 (1) | 1 | Cover |
| 5 | 1092074R2 | | 1 | LOCKNUT |
| 6 | 238077A1 | | 1 | SENDER |
| 7 | 238-5115 | | 1 | INSTANT GA |
| 8 | 896-12012 | | 3 | WASHER |
| 9 | 828-12045 | | 2 | SCREW |
| 10 | 828-12120 | | 1 | SCREW |
| 11 | 896-12016 | | 3 | WASHER |
| 12 | 828-16070 | | 3 | BOLT |
| 13 | 252677A1 | | 1 | FINAL DRIVE |

Includes: 2

17,5 x 30 x 4 mm

6 ml

11/16 ID x 7/8

13,5 x 24 x 3 mm

540/1000

M12 x 45; 10,9

M12 x 120

M16 x 70; 10,9

P.T.O. Speed Indicator

10 x 40 mm

See Page(s): 6-75

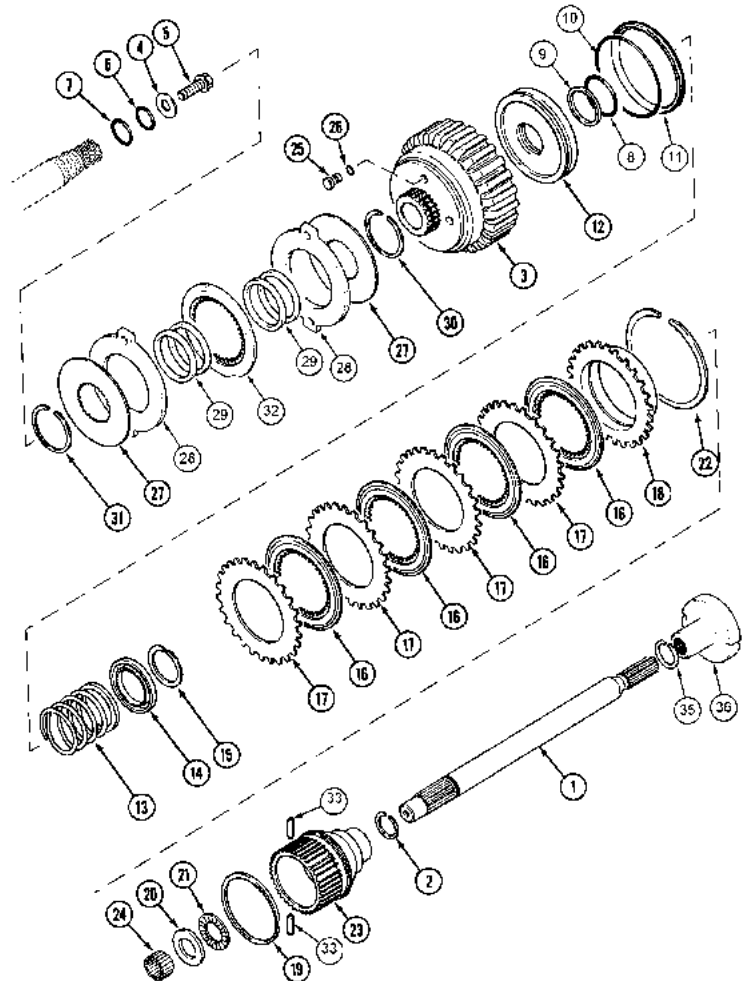
6 - Power Train

6 -
071

P.T.O. CLUTCH AND DRIVE

XTX Series XTX185, XTX200, XTX215 (2005-2007)

6071



- | | | | |
|----|-----------|---|-------------|
| 1 | 233068A1 | 1 | SHAFT |
| 2 | 103-11112 | 1 | RING |
| 3 | 235027A1 | 1 | CRANKCASE |
| 4 | A175129 | 1 | WASHER |
| 5 | 853-12025 | 1 | BOLT |
| 6 | 238-5215 | 1 | INSTANT GA |
| 7 | 238-5214 | 1 | INSTANT GA |
| 8 | 238-7137 | 1 | INSTANT GA |
| 9 | A159297 | 1 | GASKET |
| 10 | 238-7156 | 1 | INSTANT GA |
| 11 | A158051 | 1 | GASKET |
| 12 | 253492A1 | 1 | PISTON |
| 13 | A183508 | 1 | SPRING |
| 14 | A183436 | 1 | RETAINER |
| 15 | 100-16175 | 1 | RING |
| 16 | 600381A1 | 6 | Plate, Fri |
| 17 | A175806 | 6 | PLATE |
| 18 | A188599 | 1 | PLATE |
| 19 | 1995174C1 | 1 | GASKET |
| 20 | A146625 | 1 | WASHER |
| 21 | T36441 | 1 | PLATE |
| 22 | A158227 | 1 | O RING |
| 23 | 380577A2 | 1 | HUB |
| 24 | A175839 | 1 | ROLL |
| 25 | 235029A1 | 3 | CENTRALISER |

● 716501A1 (6)

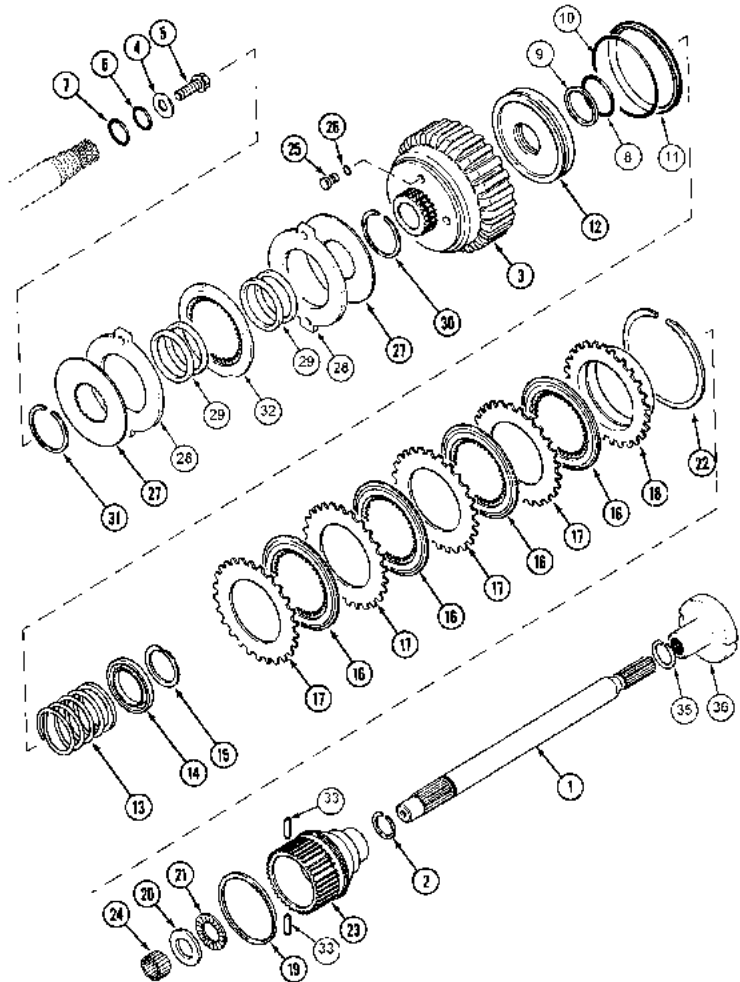
6 - Power Train

6 -
071

P.T.O. CLUTCH AND DRIVE

XTX Series XTX185, XTX200, XTX215 (2005-2007)

6071



- | | | | |
|----|-----------|---|------------|
| 26 | 238-5008 | 3 | RING |
| 27 | 1995264C2 | 2 | PLATE |
| 28 | 379740A1 | 1 | PLATE |
| 29 | 1345690C1 | 6 | SPRING |
| 30 | 100-17200 | 2 | RING |
| 31 | 800-1155 | 1 | RING |
| 32 | 235031A2 | 1 | COMPACT DI |
| 33 | 600013A1 | 2 | Pin |
| 35 | 100-21106 | 1 | RING |
| 36 | 713014A1 | 1 | Package, S |

● 713014A2 (1)

2-1/16 ID x 3/32

Includes: 33

1 ID x 1/8

3/16 ID x 1/16

4-1/4 ID x 3/32

See Page(s): 6-65

No. 75

No. 112

M12 x 25; 10,9

121.8 x 19.65 mm

3.5 x 8 mm

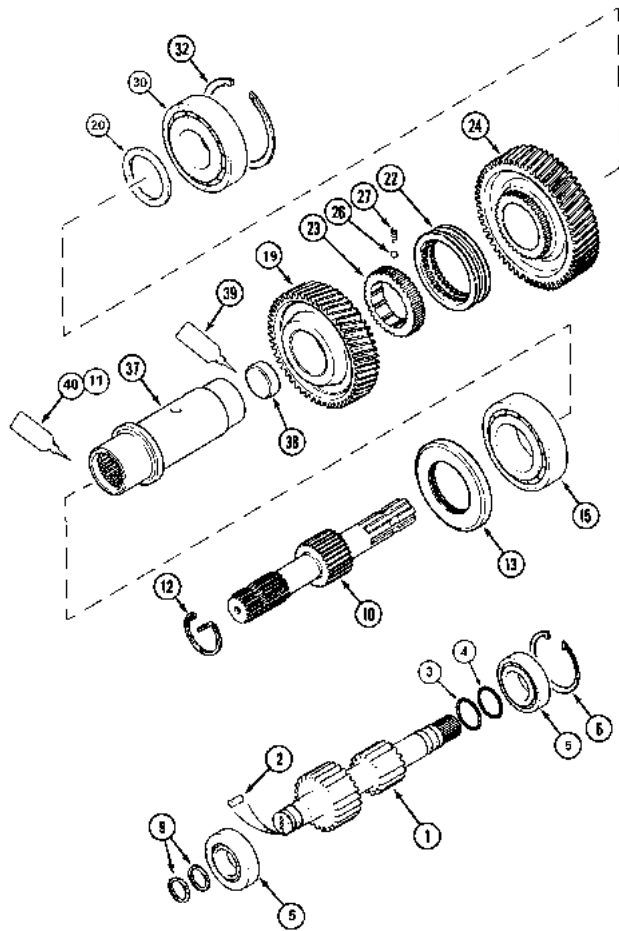
6 - Power Train

6 -
073

P.T.O. SHIFTABLE 540/1000 R.P.M. - Europe Only

XTX Series XTX185, XTX200, XTX215 (2005-2007)

6073



1	706698A1	●	706698A1R (1)	1	SHAFT
			T27/18		
1	707018A1			1	SHAFT
			T27/20		
2	1345889C1	●	1345889C2 (1)	1	PADDING
3	238-5215			1	INSTANT GA
4	238-5214			1	INSTANT GA
5	708359A1	●	1440642X1 (2)	2	BEARING
6	707739A1			1	RING
6	707740A1			1	RING
6	707741A1			1	RING
6	707742A1			1	RING
6	707743A1			1	RING
6	710988A1			1	RING
6	710989A1			1	RING
6	710990A1			1	RING
6	710991A1			1	RING

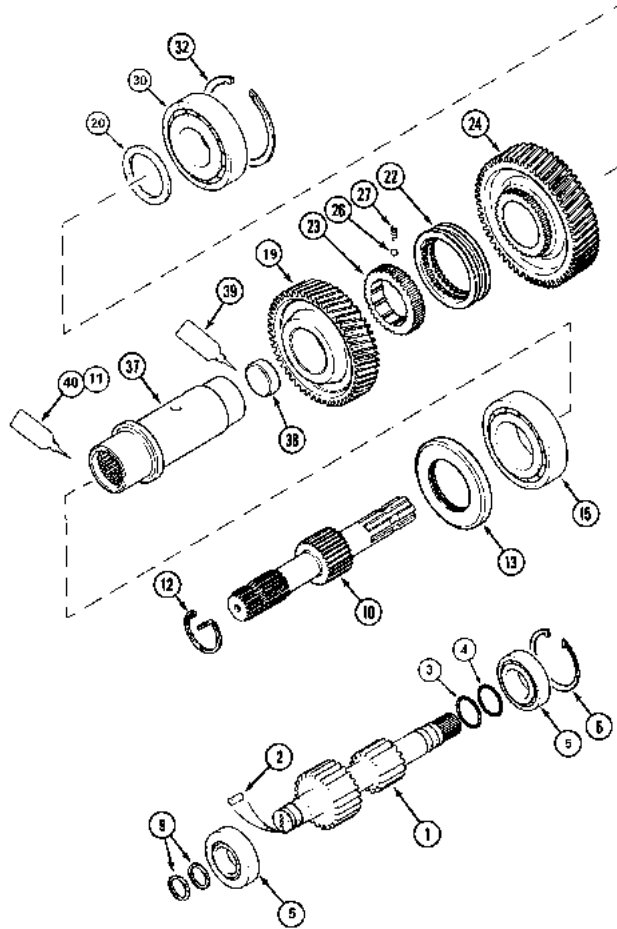
6 - Power Train

6 -
073

P.T.O. SHIFTABLE 540/1000 R.P.M. - Europe Only

XTX Series XTX185, XTX200, XTX215 (2005-2007)

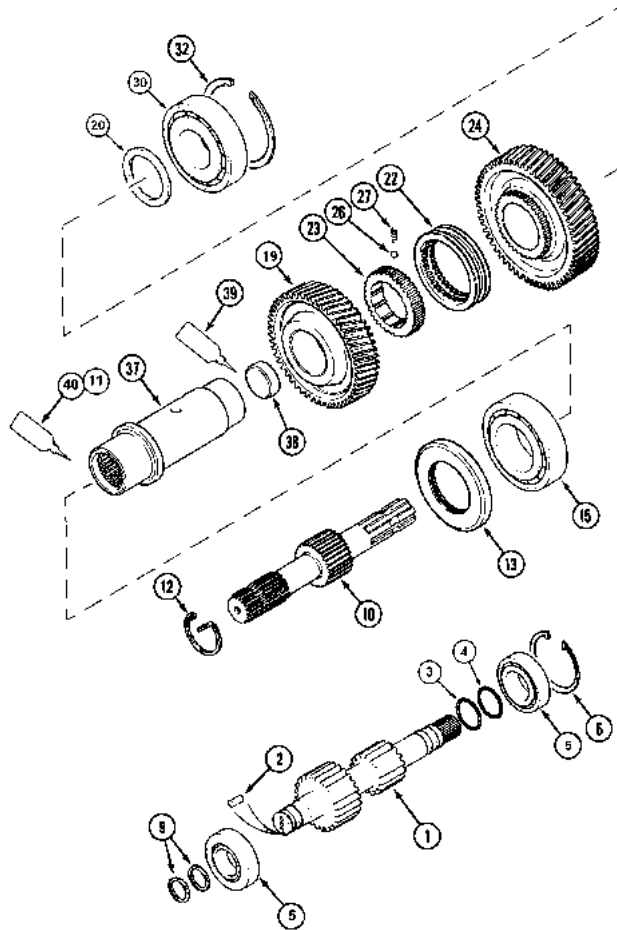
6073



- | | | | | |
|----|-----------|----------------|---|--------------|
| 9 | A188295 | | 2 | BUSH |
| 10 | 226823A1 | | 1 | SHAFT |
| 10 | 708874A1 | | 1 | SHAFT |
| 11 | 331-58 | | 2 | LUBRICATOR |
| 12 | 1341137C1 | | 1 | RING |
| 13 | 137785A2 | ● 716542A1 (1) | 1 | GASKET |
| 13 | 345-169 | | 0 | LOCTITE |
| 15 | 708357A1 | | 1 | BEARING |
| 19 | 702945A1 | | 1 | PINION |
| 20 | 708789A1 | | 1 | WASHER |
| 22 | A188916 | | 1 | CLAMP |
| 23 | 1341298C1 | | 1 | HUB |
| 24 | 702948A1 | | 1 | PINION |
| 24 | 702949A1 | | 1 | PINION |
| 26 | 211-1308 | ● 86642303 (2) | 2 | BALL |
| 27 | A188466 | | 2 | SPRING |
| 30 | 708358A1 | | 1 | Bearing Assy |

XTX Series XTX185, XTX200, XTX215 (2005-2007)

6073



- Includes: 2
- 1/4 in
- 6,5 mm OD
- 21 SPLINES
- 1 ID x 1/8
- 540
- 1 oz
- 20 Splines
- 1ml 648
- Economy
- 2.465 mm
- 2.365 mm
- 2.265 mm
- 2.165 mm
- 2.065 mm
- 2.565 mm
- 2.665 mm
- 2.765 mm
- 2.865 mm
- 540E
- CONTINUED

B

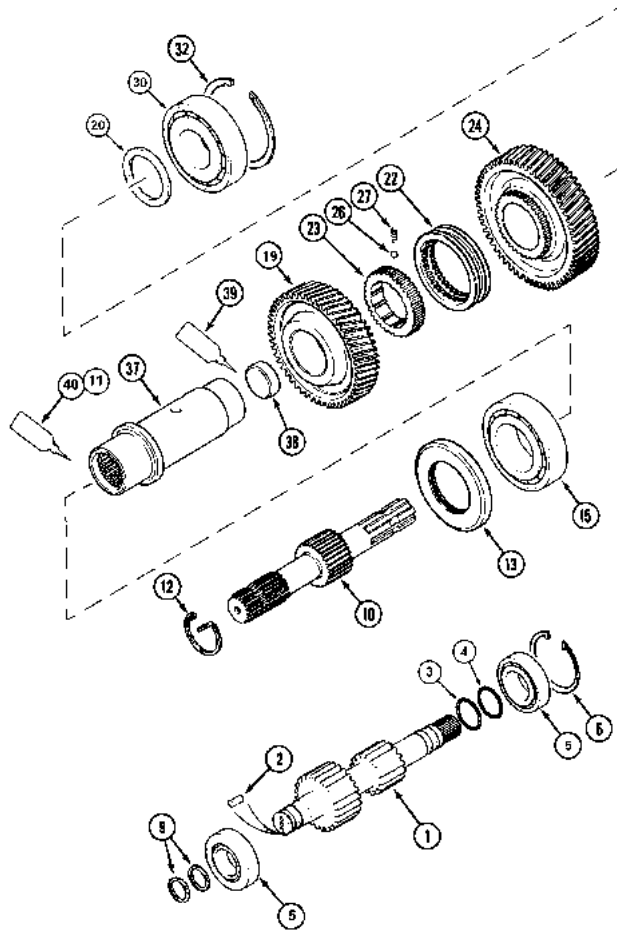
6 - Power Train

6 -
075

P.T.O. SHIFTABLE 540/1000 R.P.M. - Europe Only

XTX Series XTX185, XTX200, XTX215 (2005-2007)

6075



32	707734A1	1	RING
32	707735A1	1	RING
32	707736A1	1	RING
32	707737A1	1	RING
32	707738A1	1	RING
32	710984A1	1	RING
32	710985A1	1	RING
32	710986A1	1	RING
32	710987A1	1	RING
37	706699A1	1	SHAFT
	● 706699A1R (1)		
38	41-1024	1	PLUG
39	345-62	1	LOCTITE
40	345-156	0	LOCTITE

2.96 mm

2.86 mm

2.76 mm

2.66 mm

2.56 mm

3.06 mm

3.16 mm

3.26 mm

3.36 mm

Includes: 38 - 40

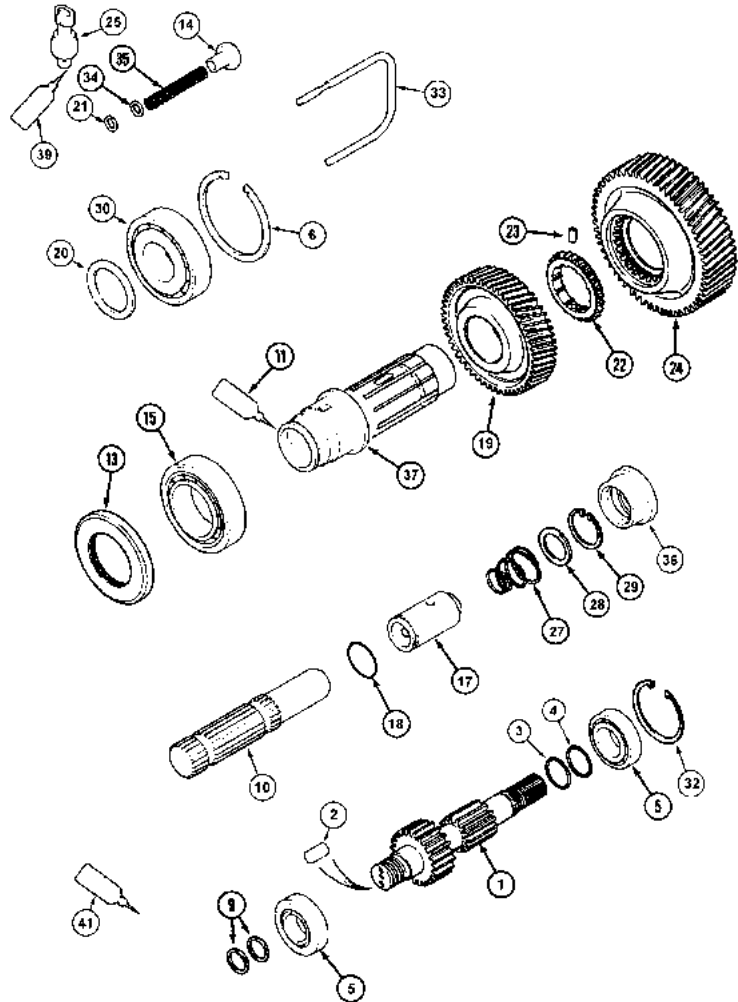
6 - Power Train

6 -
077

P.T.O. REVERSIBLE 540/1000 R.P.M. - N.A. Only

XTX Series XTX185, XTX200, XTX215 (2005-2007)

6077



- | | | | | |
|----|-----------|-----------------|---|------------|
| 1 | 706709A1 | | 1 | SHAFT |
| 2 | 1345889C1 | ● 1345889C2 (1) | 1 | PADDING |
| 3 | 238-5215 | | 1 | INSTANT GA |
| 4 | 238-5214 | | 1 | INSTANT GA |
| 5 | 708359A1 | ● 1440642X1 (2) | 2 | BEARING |
| 6 | 707734A1 | | 1 | RING |
| 6 | 707735A1 | | 1 | RING |
| 6 | 707736A1 | | 1 | RING |
| 6 | 707737A1 | | 1 | RING |
| 6 | 707738A1 | | 1 | RING |
| 6 | 710984A1 | | 1 | RING |
| 6 | 710985A1 | | 1 | RING |
| 6 | 710986A1 | | 1 | RING |
| 6 | 710987A1 | | 1 | RING |
| 9 | A188295 | | 2 | BUSH |
| 10 | 179157A1 | | 1 | SHAFT |
| 10 | 708875A1 | | 1 | SHAFT |
| 11 | 331-58 | | 2 | LUBRICATOR |

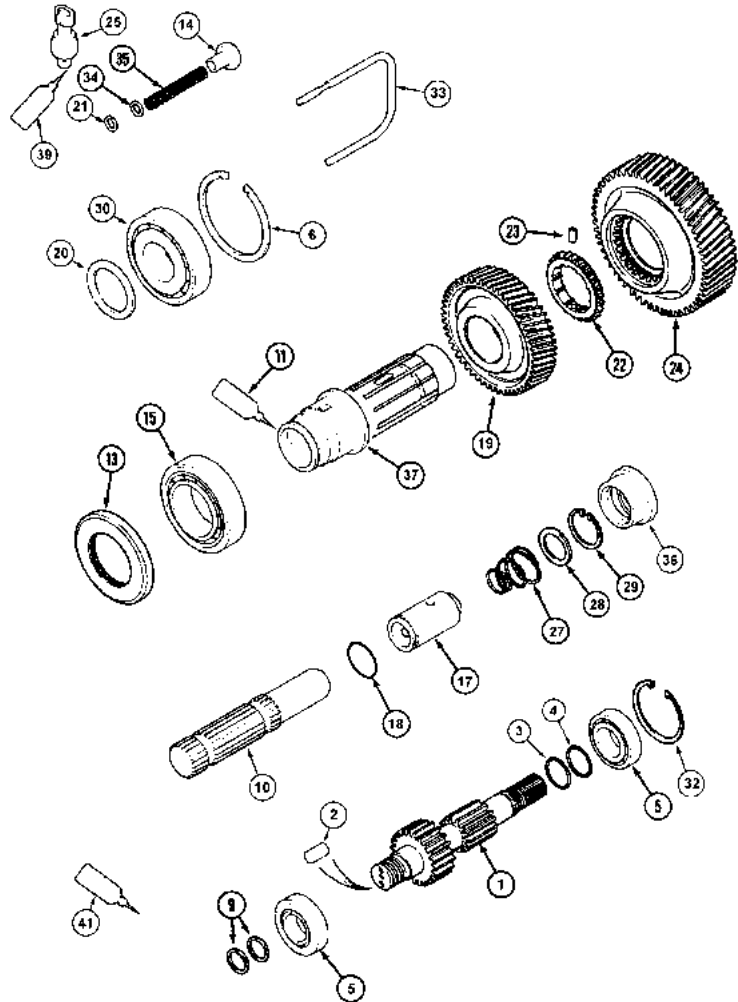
6 - Power Train

6 -
077

P.T.O. REVERSIBLE 540/1000 R.P.M. - N.A. Only

XTX Series XTX185, XTX200, XTX215 (2005-2007)

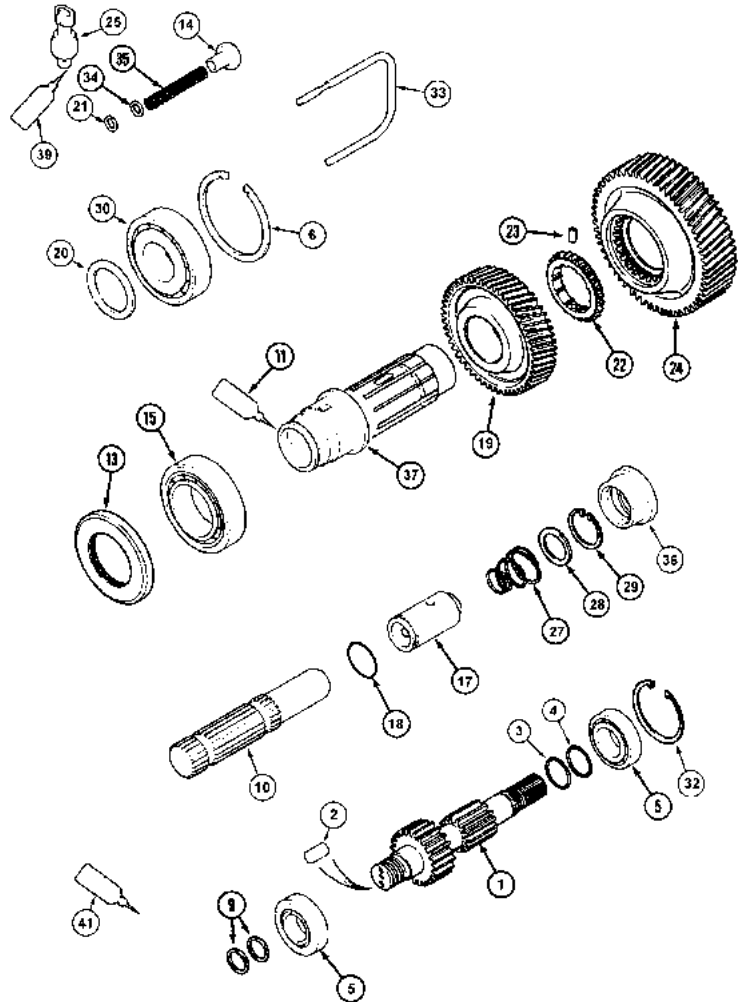
6077



- | | | | | |
|----|-----------|----------------|---|--------------|
| 13 | 137785A2 | ● 716542A1 (1) | 1 | GASKET |
| 13 | 345-169 | | 0 | LOCTITE |
| 14 | 178350A1 | | 1 | PLUG |
| 15 | 708357A1 | | 1 | BEARING |
| 17 | 140232A2 | | 1 | SLEEVE |
| 18 | 238-5130 | | 1 | INSTANT GA |
| 19 | 702944A1 | | 1 | PINION |
| 20 | 708789A1 | | 1 | WASHER |
| 21 | 100-3337 | | 1 | RING |
| 22 | 1341176C1 | | 1 | CLAMP |
| 23 | 837-8075 | | 1 | SPOUT |
| 24 | 702946A1 | | 1 | PINION |
| 24 | 702947A1 | | 1 | PINION |
| 25 | 252677A1 | | 1 | FINAL DRIVE |
| 27 | 1341178C1 | | 2 | SPRING |
| 28 | 95-81129 | | 1 | WASHER |
| 29 | 100-21181 | | 1 | RING |
| 30 | 708358A1 | | 1 | Bearing Assy |

XTX Series XTX185, XTX200, XTX215 (2005-2007)

6077



- Includes: 2
- No. 37
- 6,5 mm OD
- 1-5/8 ID x 3/32
- 21 SPLINES
- 1 ID x 1/8
- 540
- 1 oz
- 20 Splines
- 1ml 648
- 540E
- 2.96 mm
- 2.86 mm
- 2.76 mm
- 2.66 mm
- 2.56 mm
- 3.06 mm
- 3.16 mm
- 3.26 mm
- 3.36 mm
- CONTINUED

B

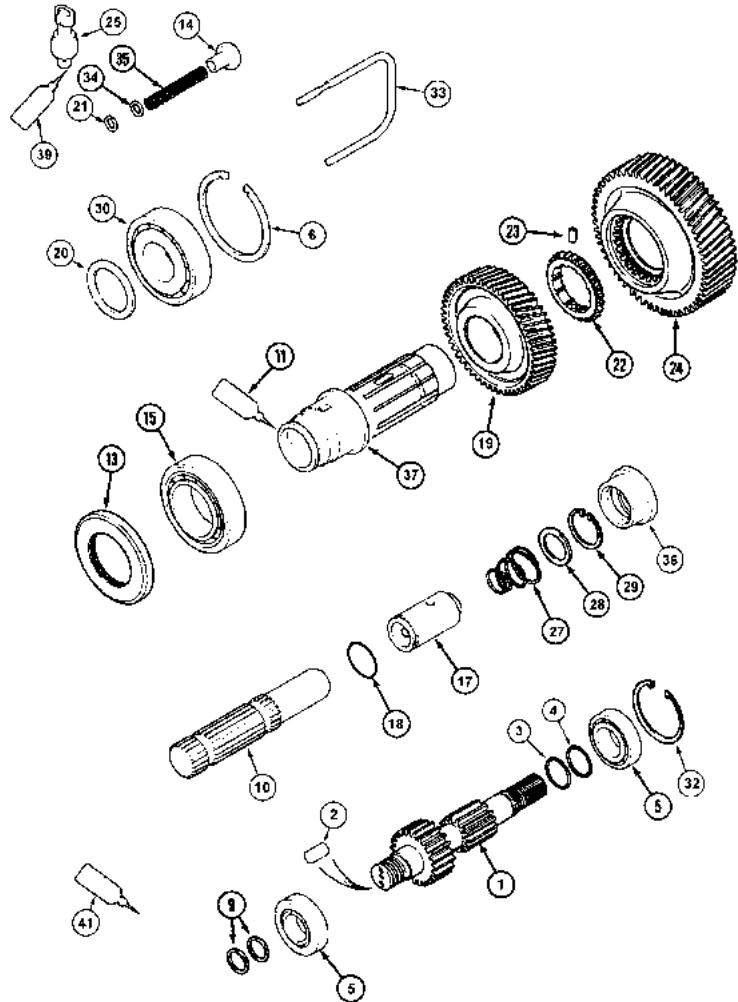
6 - Power Train

6 -
079

P.T.O. REVERSIBLE 540/1000 R.P.M. - N.A. Only

XTX Series XTX185, XTX200, XTX215 (2005-2007)

6079



32	707739A1	1	RING
32	707740A1	1	RING
32	707741A1	1	RING
32	707742A1	1	RING
32	707743A1	1	RING
32	710988A1	1	RING
32	710989A1	1	RING
32	710990A1	1	RING
32	710991A1	1	RING
33	710050A1	1	ROD
34	95-81079	1	Washer
35	178349A2	1	SPRING
36	181701A1	1	COUPLING
37	702951A1	1	SHAFT
39	B500637	0	Loctite
41	345-49	1	ADHESIVE
41	B17197	0	ADHESIVE
	● 3930274M91 (0)		
41	B17422	0	LOCTITE
41	B17577	0	Loctite

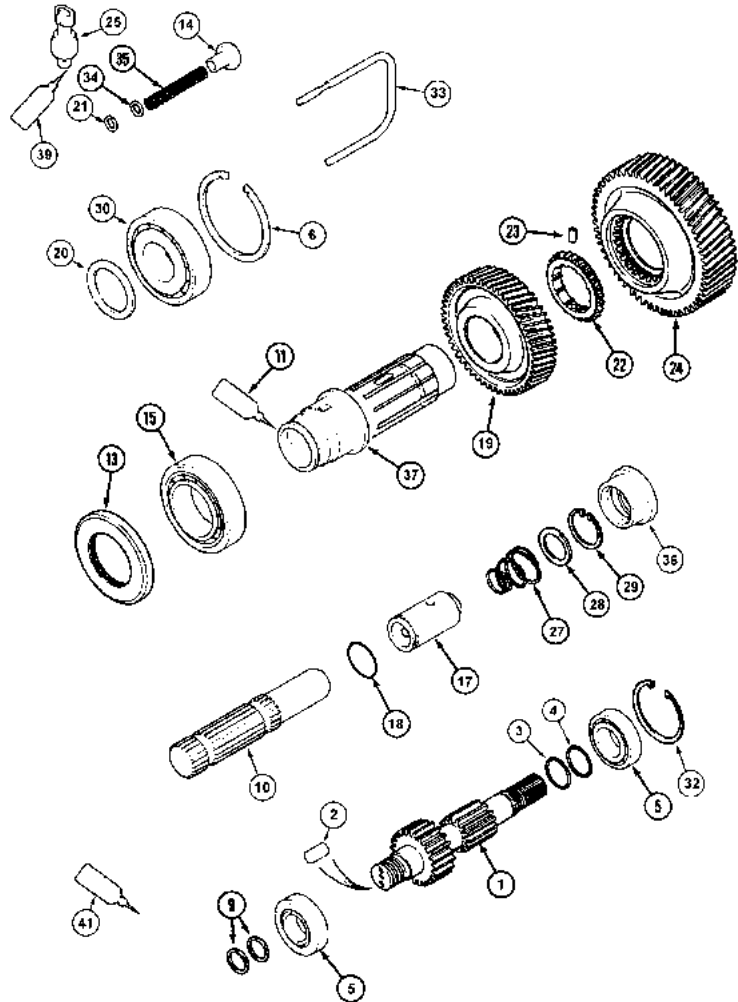
6 - Power Train

6 -
079

P.T.O. REVERSIBLE 540/1000 R.P.M. - N.A. Only

XTX Series XTX185, XTX200, XTX215 (2005-2007)

6079



41 B17578

0 LOCTITE

- 6 ml
- 1 ml
- 50 ml
- 10 ml
- 747 (1ml)
- 2.465 mm
- 2.365 mm
- 2.265 mm
- 2.165 mm
- 2.065 mm
- 2.565 mm
- 2.665 mm
- 2.765 mm
- 2.865 mm

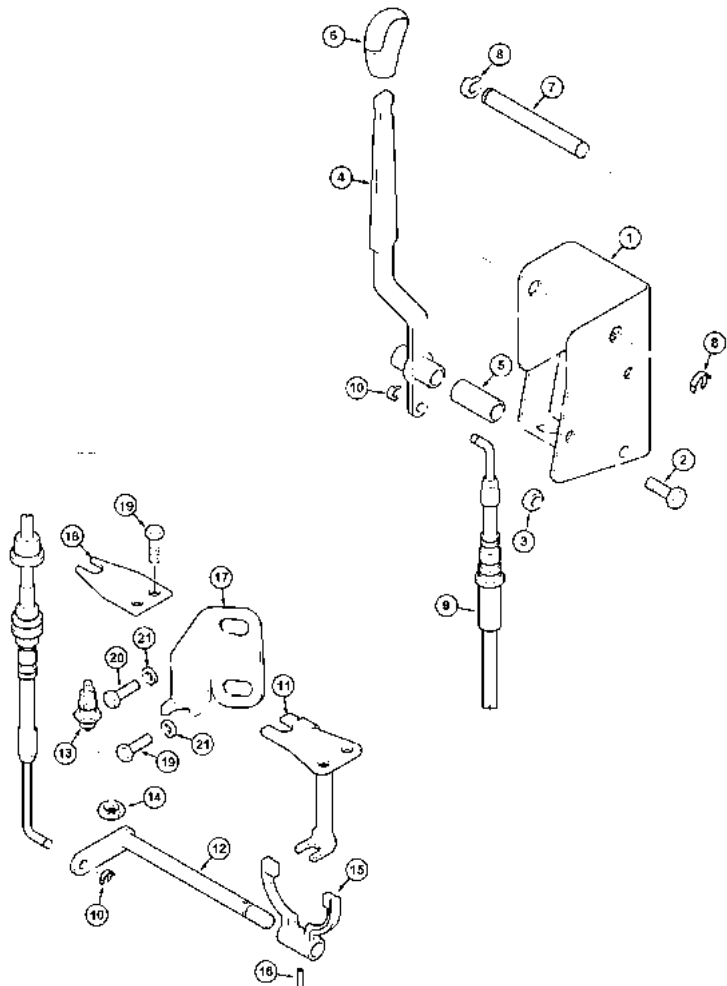
6 - Power Train

6 -
081

P.T.O. CONTROLS - SHIFTABLE - XTXE

XTX Series XTX185, XTX200, XTX215 (2005-2007)

6081



- | | | | | |
|----|-----------|------------------|---|--------------|
| 1 | 701385A2 | ● 701385A3 (1) | 1 | Bracket Assy |
| 2 | 844-8016 | | 2 | BOLT |
| 3 | 825-2408 | | 2 | NUT |
| 4 | 701388A2 | ● 6504848M91 (1) | 1 | LEVER |
| 5 | 710782A1 | | 1 | Spacer |
| 6 | 177108A1 | | 1 | GRIP |
| 7 | 706406A1 | | 1 | Shaft |
| 8 | 240908A1 | | 2 | RING |
| 9 | 710771A2 | | 1 | CABLE |
| 10 | 800-436 | | 2 | RING |
| 11 | TBA | | 1 | Bracket |
| 12 | 710053A1 | | 1 | LEVER |
| 13 | 177499A2 | | 1 | SWITCH |
| 14 | 188603A1 | | 1 | NUT |
| 15 | A183464 | ● 714247A1 (1) | 1 | PRONGS |
| 16 | 38-21216 | | 1 | PIN |
| 17 | 711154A2 | | 1 | Bracket |
| 18 | 710051A1 | | 1 | SUPPORT |
| 19 | 614-12025 | | 3 | BOLT |
| 20 | 814-12045 | | 1 | SCREW |
| 21 | 895-11012 | | 4 | WASHER |

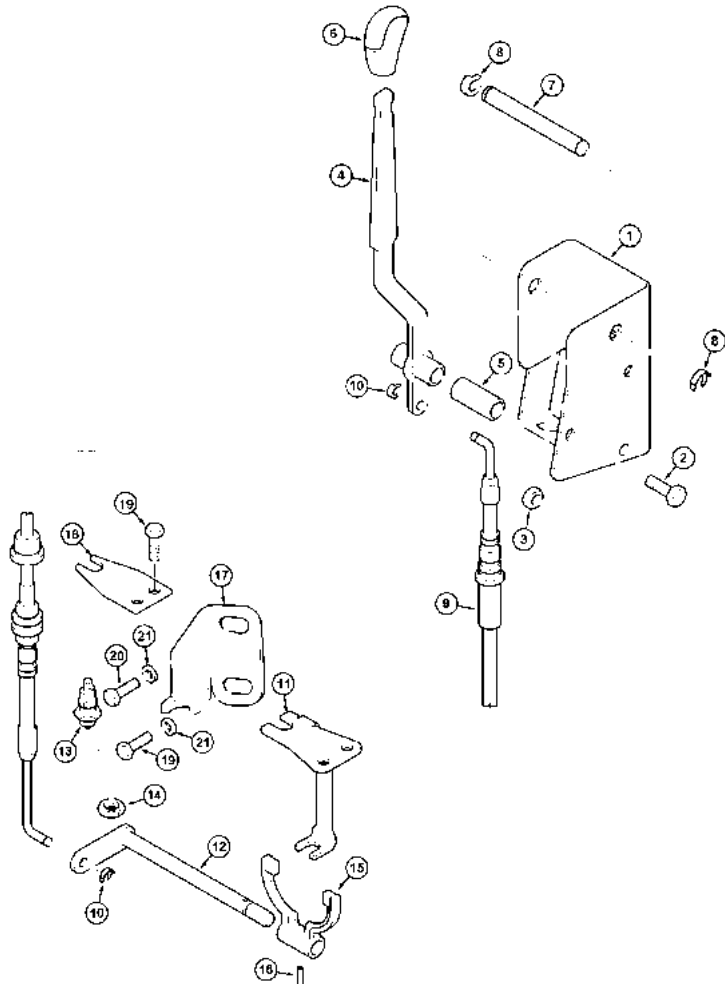
6 - Power Train

6 -
081

P.T.O. CONTROLS - SHIFTABLE - XTXE

XTX Series XTX185, XTX200, XTX215 (2005-2007)

6081



M8 x 16; 8,8

M8; 8

Includes: 18

6 mm

M16

13,5 x 24 x 2,5 mm

M12 x 25; 8,8

0.187 x 1.0 in

2515 mm

Order: 17 - 21

M12 x 45; 8,8

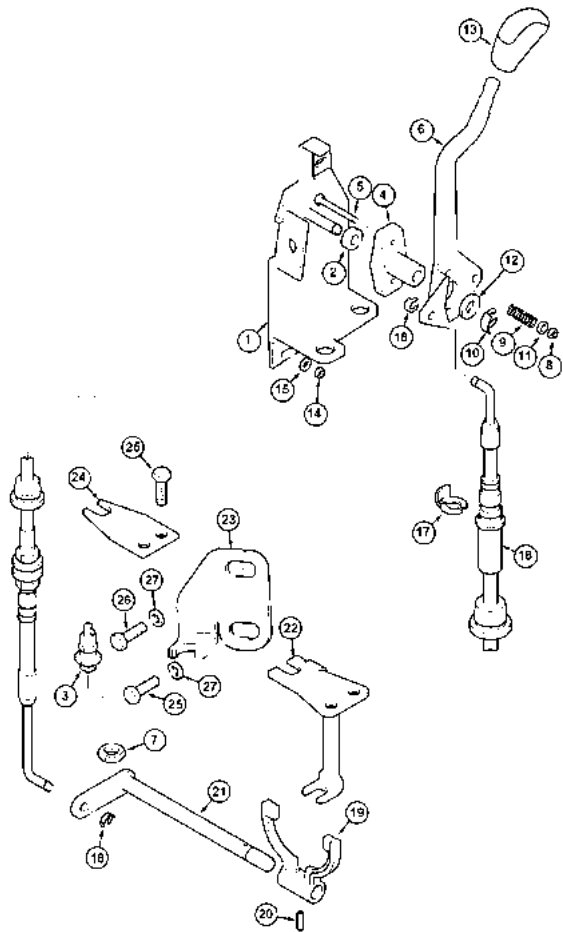
6 - Power Train

6 -
083

P.T.O. CONTROLS - SHIFTABLE - XTXM

XTX Series XTX185, XTX200, XTX215 (2005-2007)

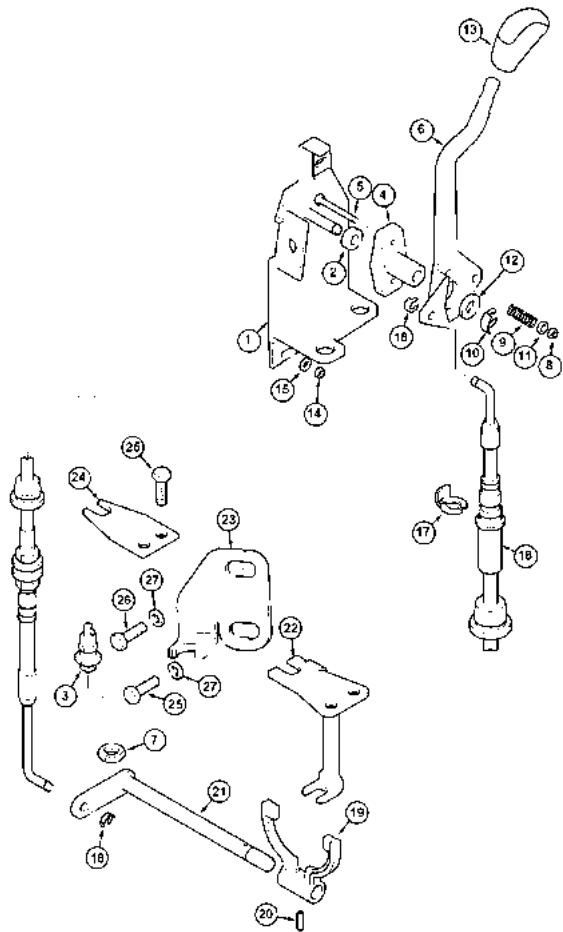
6083



- | | | | | |
|----|-----------|-----------------|---|---------|
| 1 | 234869A5 | | 1 | STRAP |
| 2 | 248475A1 | | 1 | DRIVING |
| 3 | 177499A2 | | 1 | SWITCH |
| 4 | 175312A1 | | 1 | HUB |
| 5 | 814-6045 | | 2 | BOLT |
| 6 | 300333A1 | | 1 | LEVER |
| 7 | 188603A1 | | 1 | NUT |
| 8 | 832-10406 | ● 1441500X1 (2) | 2 | NUT FNS |
| 9 | T102381 | | 2 | SPRING |
| 10 | 240908A1 | | 1 | RING |
| 11 | 895-11006 | ● 390971X1 (2) | 2 | WASHER |
| 12 | 896-11012 | ● 3667437M1 (1) | 1 | WASHER |
| 13 | 177108A1 | | 1 | GRIP |
| 14 | 829-1408 | | 3 | NUT |
| 15 | 895-11008 | | 3 | WASHER |
| 16 | 711195A1 | | 1 | CABLE |
| 17 | 800-4313 | | 1 | RING |
| 18 | 800-436 | | 2 | RING |
| 19 | A183464 | ● 714247A1 (1) | 1 | PRONGS |
| 20 | 38-21216 | | 1 | PIN |

XTX Series XTX185, XTX200, XTX215 (2005-2007)

6083



- | | | | |
|----|-----------|---|---------|
| 21 | 710053A1 | 1 | LEVER |
| 22 | TBA | 1 | Bracket |
| 23 | 711154A2 | 1 | Bracket |
| 24 | 710051A1 | 1 | SUPPORT |
| 25 | 614-12025 | 3 | BOLT |
| 26 | 814-12045 | 1 | SCREW |
| 27 | 895-11012 | 4 | WASHER |

6,6 x 12 x 1,6 mm

9 x 17 x 1,6 mm

M8; 10

M6; 8

6 mm

M16

13 mm

13.5 mm

13,5 x 24 x 2,5 mm

M6 x 45; 8,8

M12 x 25; 8,8

0.187 x 1.0 in

M12 x 45; 8,8

2065 mm

Order: 23 - 27

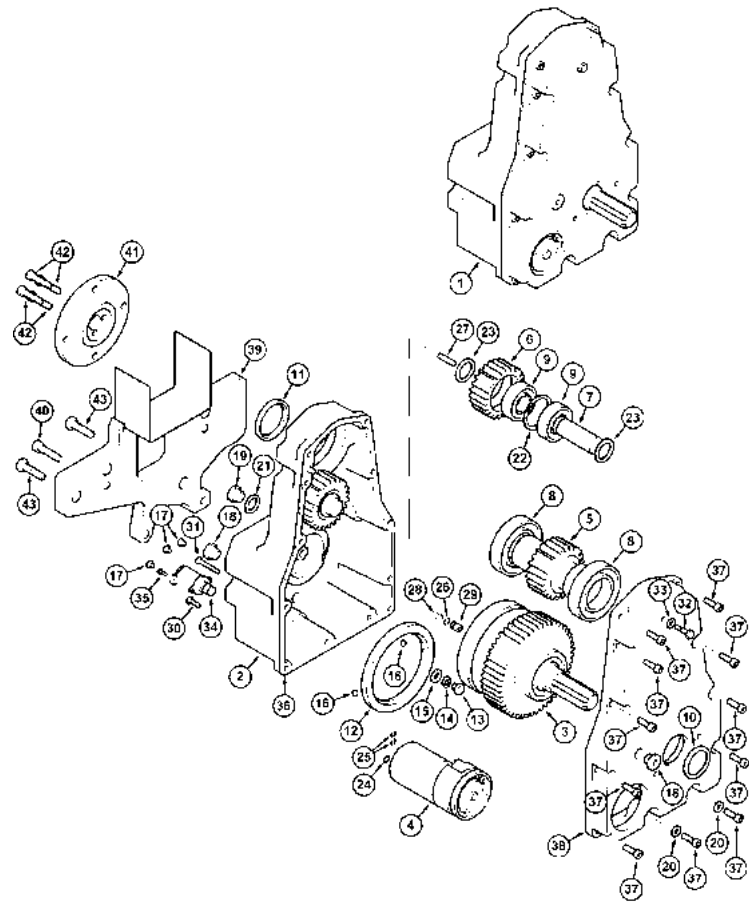
6 - Power Train

6 -
085

FRONT P.T.O. HOUSING - Zuidberg

XTX Series XTX185, XTX200, XTX215 (2005-2007)

6085



- | | | | |
|----|-----------------|---|--------------|
| 1 | 713482A1 | 1 | Housing Assy |
| 1 | 713506A1 | 1 | Housing Assy |
| 2 | 713487A1 | 1 | Cover Assy |
| 3 | 713489A1 | 1 | Shaft Assy |
| 4 | 713491A1 | 1 | Pump Assy |
| 4 | 713507A1 | 1 | Pump Assy |
| 5 | 713490A1 | 1 | GEAR |
| 6 | 713493A1 | 1 | GEAR |
| 6 | 713508A1 | 2 | GEAR |
| 7 | 713492A1 | 2 | Shaft |
| 8 | 713497A1 | 2 | Bearing Assy |
| 9 | 713449A1 | 4 | Bearing Assy |
| 10 | 713500A1 | 1 | Seal, Oil |
| 11 | 713499A1 | 1 | Seal, Oil |
| | ● 4222007M1 (1) | | |
| 12 | 713503A1 | 1 | RING |
| 13 | 713421A1 | 2 | BOLT |

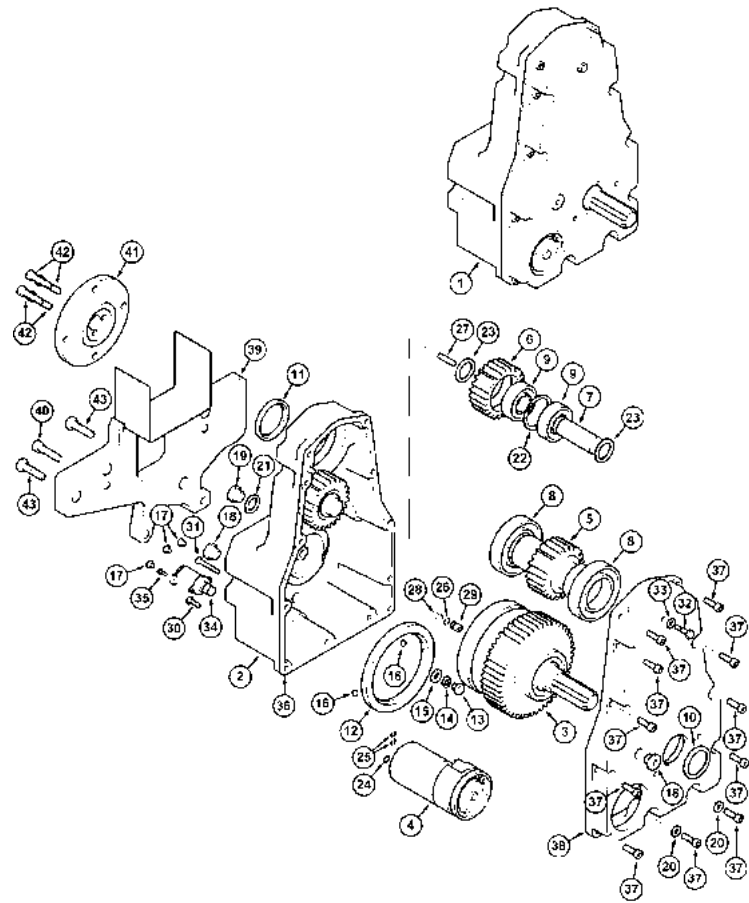
6 - Power Train

6 -
085

FRONT P.T.O. HOUSING - Zuidberg

XTX Series XTX185, XTX200, XTX215 (2005-2007)

6085



- | | | | | |
|----|----------|-----------------|---|------------|
| 14 | 713441A1 | | 2 | Washer, Sp |
| 15 | 713445A1 | ● 4222006M1 (2) | 2 | Washer |
| 16 | 713446A1 | | 3 | BALLS |
| 17 | 713428A1 | | 3 | Plug |
| 18 | 713426A1 | | 2 | Plug |
| 19 | 713429A1 | | 1 | Plug |
| 20 | 713432A1 | | 2 | Seal |
| 21 | 713430A1 | | 1 | Seal |
| 22 | 713439A1 | | 2 | Ring, Reta |
| 23 | 713494A1 | | 4 | SHIM |
| 24 | 713431A1 | | 1 | O-Ring |
| 25 | 713433A1 | | 2 | O-Ring |
| 26 | 713501A1 | | 1 | O-Ring |
| 27 | 713441A1 | | 4 | Washer, Sp |
| 28 | 713498A1 | | 1 | Spring |
| 29 | 713504A1 | | 1 | Bushing |
| 30 | 614-6020 | ● 339666X1 (1) | 1 | BOLT |

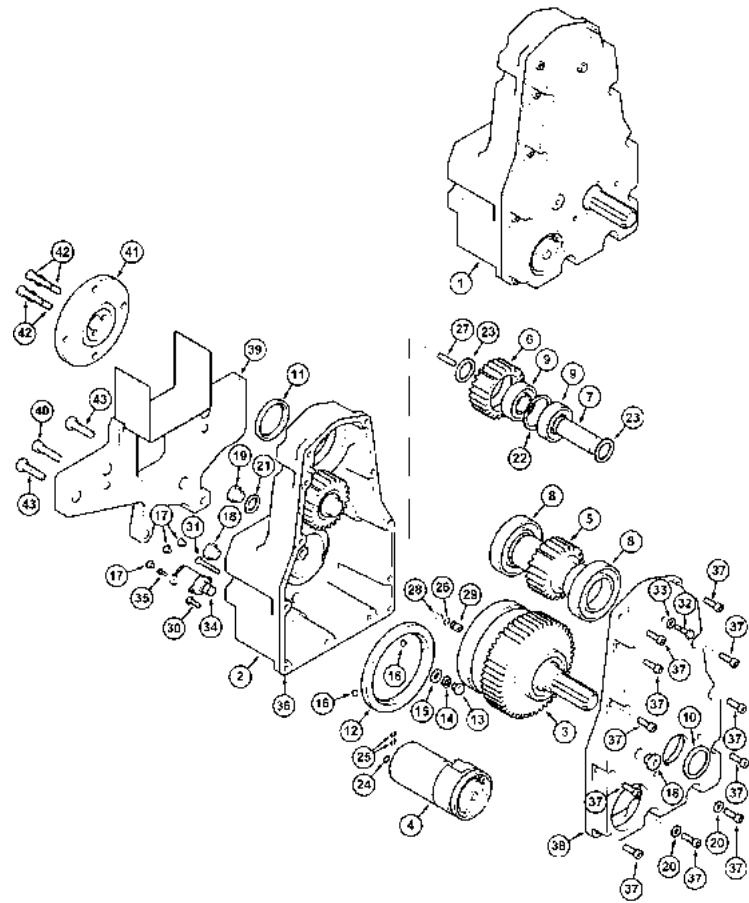
6 - Power Train

6 -
085

FRONT P.T.O. HOUSING - Zuidberg

XTX Series XTX185, XTX200, XTX215 (2005-2007)

6085



- M18
- 10 mm
- 24T
- 25T
- M6 x 20; 8,8
- 8 mm
- M20
- 37T
- 18 mm
- CLOCKWISE
- Consists Of: 2 - 38
- Counter Clockwise
- 55 x 40 x 8 mm
- 72 x 55 x 8 mm
- 30 x 42 x 1 mm
- 4.48 mm
- 8 x 30 mm
- CONTINUED

B

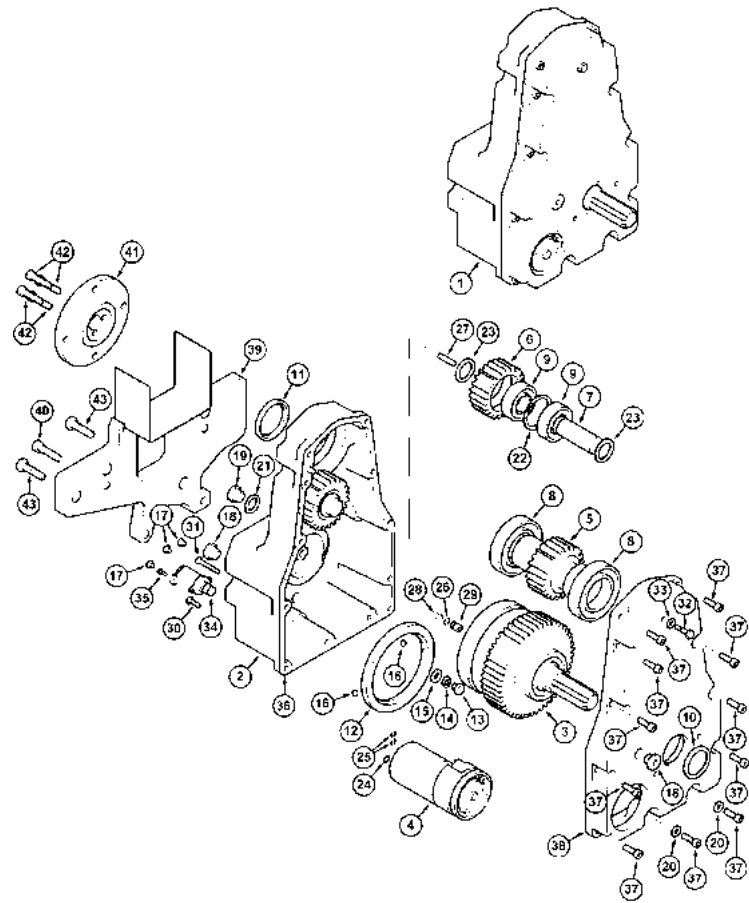
6 - Power Train

6 -
087

FRONT P.T.O. HOUSING - Zuidberg

XTX Series XTX185, XTX200, XTX215 (2005-2007)

6087



- | | | | | |
|----|-----------|-----------------|----|---------------|
| 31 | 814-6045 | | 1 | BOLT |
| 32 | 713438A1 | | 1 | Bolt, Special |
| 33 | 713440A1 | | 1 | Ring, Seal |
| 34 | 713447A1 | ● 4222002M1 (1) | 1 | SOLENOID |
| 35 | 713442A1 | | 2 | Screw |
| 36 | 713502A1 | | 1 | Gasket, Cover |
| 37 | 863-8030 | | 11 | BOLT |
| 38 | 713488A1 | | 1 | Cover Assy |
| 39 | 713484A1 | | 1 | Bracket Assy |
| 39 | 713486A1 | | 1 | Bracket Assy |
| 40 | 864-12030 | | 2 | SCREW |
| 41 | 713483A1 | | 1 | Plate |
| 42 | 713485A1 | | 4 | BOLT |
| 43 | 814-12045 | | 2 | SCREW |

M12 x 30

M4 x 12

M6 x 45; 8,8

M8 x 30; 12,9

M12 x 45; 8,8

8 x 14 mm

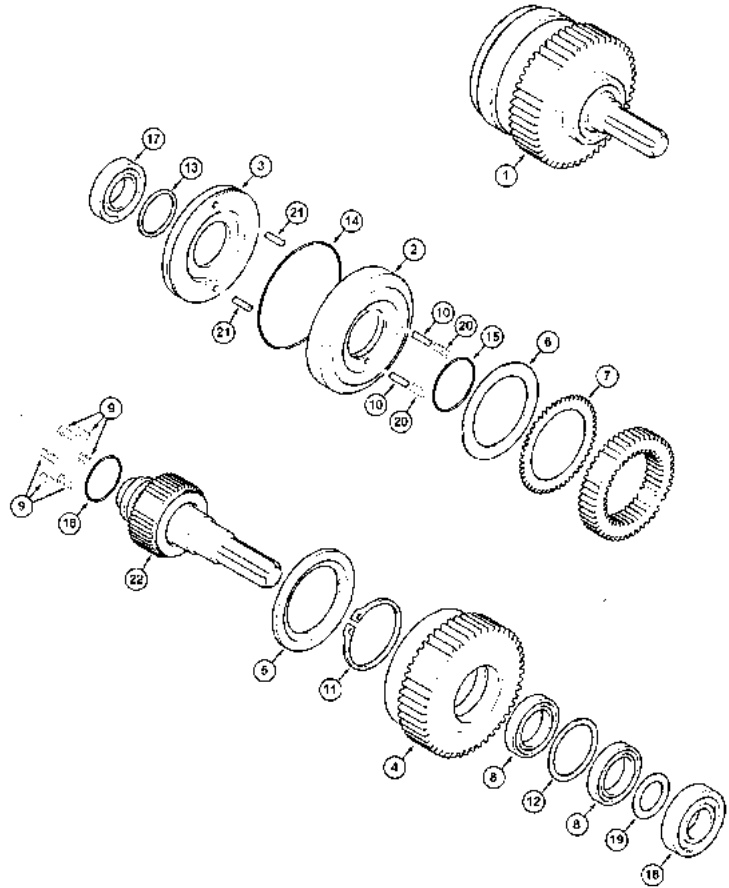
#185XTX, 200XTX

#215XTX

M12 x 40; 12.9

XTX Series XTX185, XTX200, XTX215 (2005-2007)

6089



- | | | | | |
|----|----------|-----------------|---|--------------|
| 1 | 713489A1 | | 1 | Shaft Assy |
| 2 | 713515A1 | | 1 | HOUSING |
| 3 | 713516A1 | | 1 | PISTON |
| 4 | 713517A1 | | 1 | GEAR |
| 5 | 713518A1 | | 1 | Support |
| 6 | 713519A1 | | 9 | Plate |
| 7 | 713520A1 | | 8 | Plate |
| 8 | 713521A1 | | 2 | Bearing Assy |
| 9 | 713460A1 | | 6 | Spring |
| 10 | 713470A1 | | 2 | Pin |
| 11 | 713522A1 | | 1 | Ring, Reta |
| 12 | 713523A1 | | 1 | RING |
| 13 | 713524A1 | | 1 | RING |
| 14 | 713525A1 | | 1 | O-Ring |
| 15 | 713526A1 | | 1 | O-Ring |
| 16 | 713527A1 | | 1 | O-Ring |
| 17 | 713528A1 | | 1 | Bearing Assy |
| 18 | 713529A1 | ● 4222001M1 (1) | 1 | Bearing Assy |
| 19 | 713530A1 | | 1 | Spacer |
| 20 | 713471A1 | | 2 | Spring |
| 21 | 713469A1 | | 2 | Pin |
| 22 | 712514A1 | ● 6522194M1 (1) | 1 | Shaft |

STEEL

55 mm

140 mm

6 x 24 mm

Consists Of: 2 - 22

62 mm

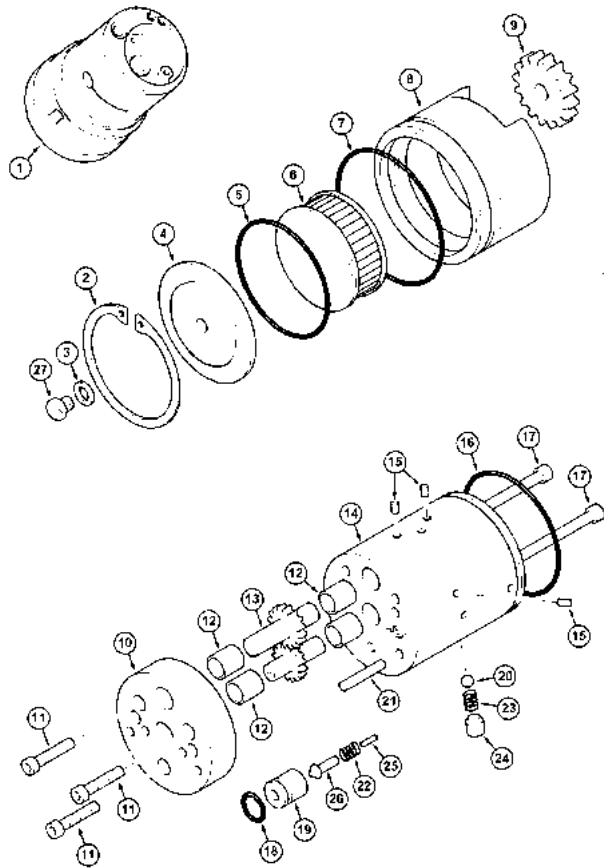
6 - Power Train

6 -
091

FRONT P.T.O. - Zuidberg

XTX Series XTX185, XTX200, XTX215 (2005-2007)

6091



- | | | | |
|----|-----|---|-------------|
| 1 | TBA | 1 | Pump Assy |
| 2 | TBA | 1 | Ring |
| 3 | TBA | 1 | Washer |
| 4 | TBA | 1 | Plate |
| 5 | TBA | 1 | O-Ring |
| 6 | TBA | 1 | Filter, Oil |
| 7 | TBA | 1 | O-Ring |
| 8 | TBA | 1 | Housing |
| 9 | TBA | 1 | Gear |
| 10 | TBA | 1 | Plate |
| 11 | TBA | 3 | Bolt |
| 12 | TBA | 4 | Bushing |
| 13 | TBA | 1 | Gear |
| 14 | TBA | 1 | Housing |
| 15 | TBA | 3 | Plug |
| 16 | TBA | 1 | O-Ring |
| 17 | TBA | 2 | Bolt |
| 18 | TBA | 1 | O-Ring |
| 19 | TBA | 1 | Spool |
| 20 | TBA | 1 | Ball |
| 21 | TBA | 1 | Pin |
| 22 | TBA | 1 | Spring |
| 23 | TBA | 1 | Spring |
| 24 | TBA | 1 | Pin |
| 25 | TBA | 1 | Pin |
| 26 | TBA | 1 | Pin |
| 27 | TBA | 1 | Bolt |

Consists Of: 2 - 27

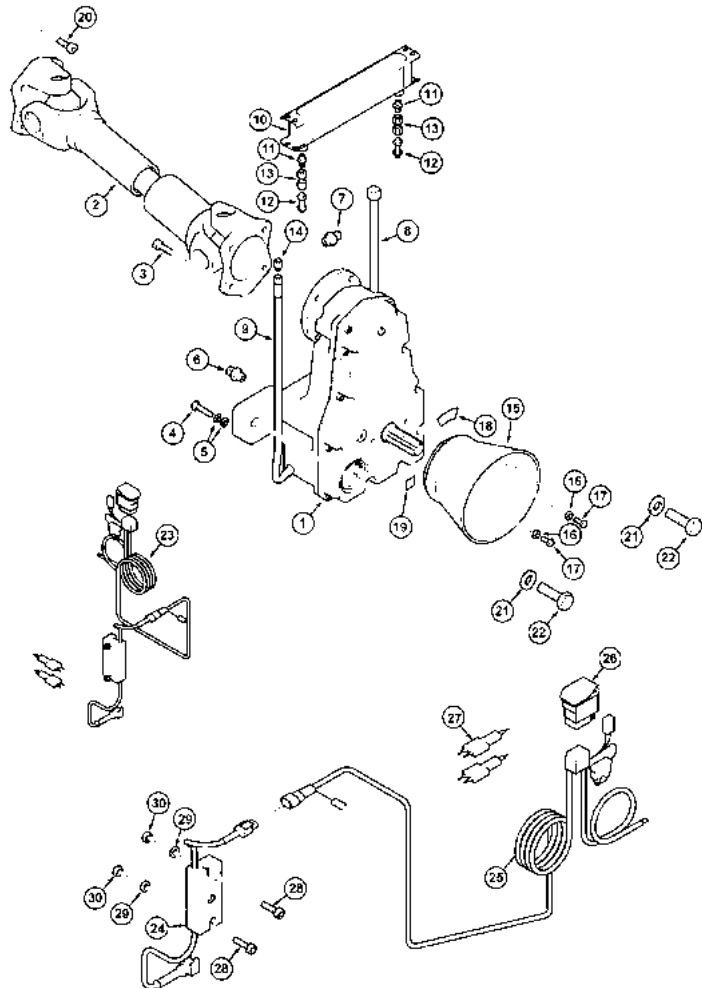
6 - Power Train

6 -
093

FRONT P.T.O. - Zuidberg

XTX Series XTX185, XTX200, XTX215 (2005-2007)

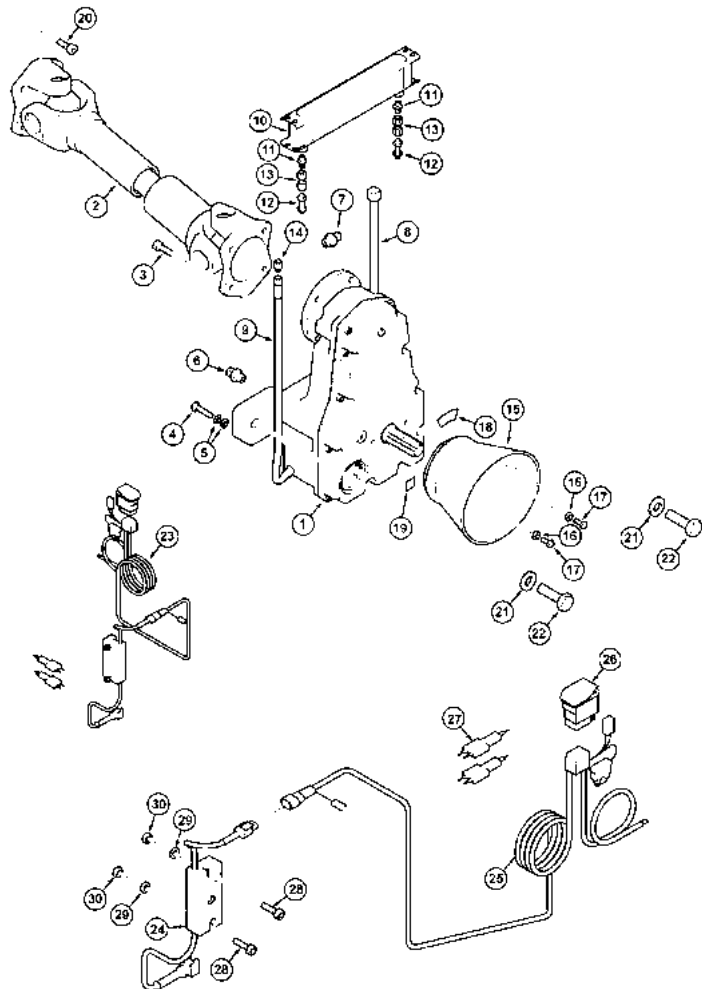
6093



- | | | | |
|----|-----------------|---|--------------|
| 1 | 713506A1 | 1 | Housing Assy |
| 2 | 712085A1 | 1 | Shaft, Drive |
| 2 | 712148A1 | 1 | Shaft, Drive |
| 3 | 712086A1 | 4 | BOLT |
| 4 | 712087A1 | 1 | Bolt, Banjo |
| 5 | 712088A1 | 2 | Washer |
| 6 | 712089A1 | 1 | UNION |
| 7 | 712090A1 | 1 | UNION |
| 8 | 712091A1 | 1 | Hose Assy |
| 9 | 712092A1 | 1 | Hose Assy |
| 10 | 712102A1 | 1 | Cooler, Oil |
| 11 | 712103A1 | 2 | CONNECTOR |
| 12 | 712104A1 | 2 | CONNECTOR |
| 13 | 712105A1 | 2 | CONNECTOR |
| 13 | 712740A1 | 2 | CONNECTOR |
| 14 | 712106A1 | 1 | CONNECTOR |
| 15 | 712107A1 | 1 | Cover |
| 16 | 712108A1 | 2 | Washer |
| 17 | 712109A1 | 2 | BOLT |
| 18 | 712110A1 | 1 | DECAL |
| 19 | 712111A1 | 1 | DECAL |
| 20 | 863-10035 | 4 | SCREW |
| 21 | 896-11012 | 2 | WASHER |
| | ● 3667437M1 (2) | | |

XTX Series XTX185, XTX200, XTX215 (2005-2007)

6093



- 22 614-20055
- 23 712112A1
- 24 TBA
- 25 TBA
- 26 TBA
- 27 TBA
- 28 TBA
- 29 TBA
- 30 TBA

- 2 BOLT
- 1 KIT
- 1 Control Assy
- 1 Harness Assy
- 1 Switch Assy
- 2 Cable
- 2 Bolt
- 2 Washer
- 2 Nut

400 mm

13.5 mm

Adaptor

M20 x 55; 8,8

M8 x 16

450 mm

#XTX215

#XTX185, XTX200

M10 x 35; 12.9

See Page(s): 6-85

M10 x 25; 12.9

Consists Of: 24 - 30

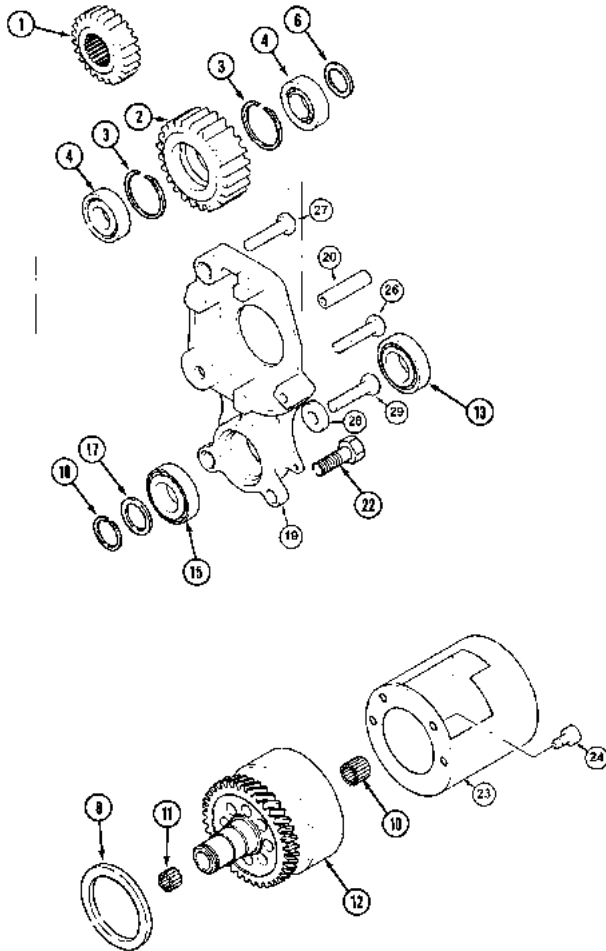
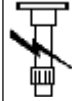
6 - Power Train

6 -
095

DRIVE AND IDLER GEARS 4WD

XTX Series XTX185, XTX200, XTX215 (2005-2007)

6095



1	40004A1		N.L.S. (1) TRANSMISSION 411598	1	PINION
1	715025A1		N.L.S. (1) TRANSMISSION 411599	1	PINION
2	40005A1		TRANSMISSION 411598	1	PINION
2	715026A1		N.L.S. (1) TRANSMISSION 411599	1	GEAR
3	A188179			2	RING
4	709203A1		RLT010 (2)	2	BEARING
6	249084A1			0	SPRAG
6	249085A1			0	SPRAG
6	249086A1			0	SPRAG
8	1995123C1			1	GASKET
10	K620066			1	ROLL

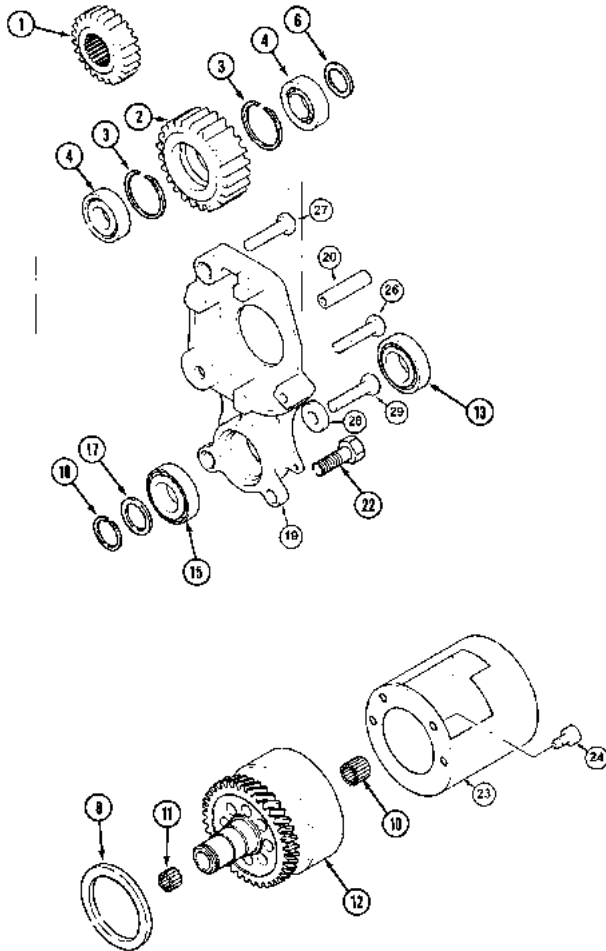
6 - Power Train

6 -
095

DRIVE AND IDLER GEARS 4WD

XTX Series XTX185, XTX200, XTX215 (2005-2007)

6095



11	A186418		1	ROLL
12	709798A1	● N.L.S. (1)	1	PINION
13	709800A1		1	BEARING
15	709801A1	● 3010697X91 (1)	1	BEARING
17	710856A1		0	SHIM
17	710857A1		0	SHIM
17	710858A1		0	SHIM
17	710859A1		0	SHIM
18	100-16150		1	RING
19	706385A1		1	HOUSING
20	NSS		1	Shaft
22	868-16050		1	SCREW
22	868-16060		1	SCREW
23	315434A1		1	COWL
24	615-8016		4	BOLT
26	828-12100		1	BOLT
27	828-16120		1	BOLT

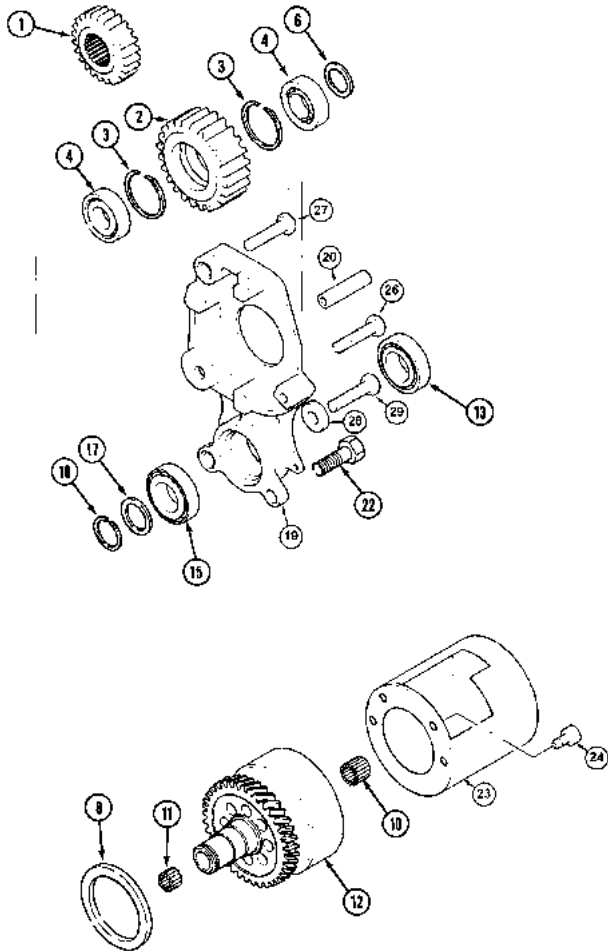
6 - Power Train

6 -
095

DRIVE AND IDLER GEARS 4WD

XTX Series XTX185, XTX200, XTX215 (2005-2007)

6095



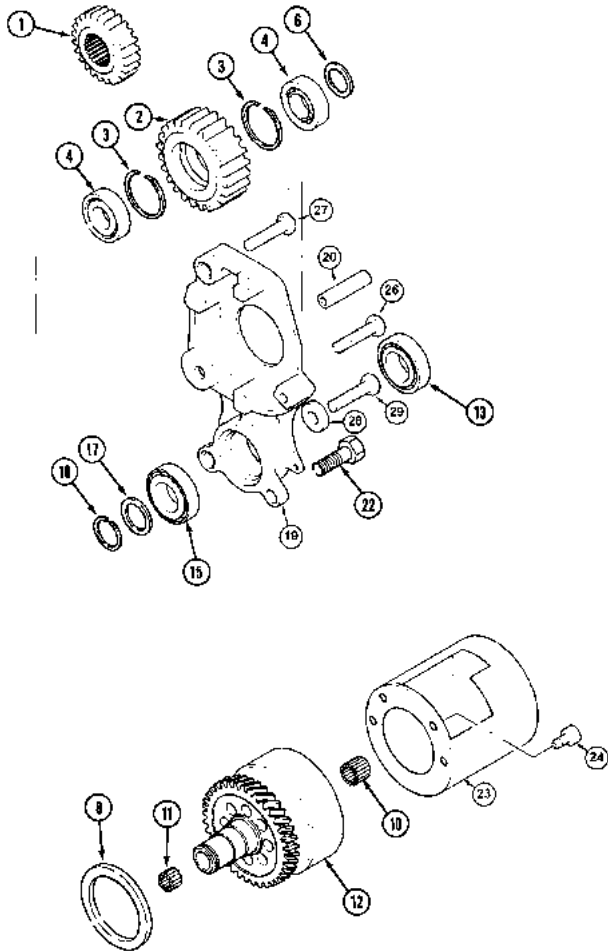
- 28 249081A1
- 29 828-16150

- 1 WASHER
- 1 BOLT

XTX Series XTX185, XTX200, XTX215 (2005-2007)



6095



- M8 x 16; 8,8
- Includes: 20
- Includes: 13
- M16 x 120; 10.9
- 33T
- 26T
- Drive
- 25T
- Idler
- 0.50 mm
- 0.20 mm
- 0.10 mm
- 45 mm
- M16 x 150; 10,9
- M12 x 100; 10.9
- 0.05 mm
- 0,635 mm
- No. 150
- 4WD Ratio: 1.4935
- Interaxle Ratio: 1.321
- 0,356 mm
- 0,457 mm
- M16 x 60; 12.9
- M16 x 50; 12,9
- FROM SERIAL OR ENGINE NUMBER
- UP TO SERIAL OR ENGINE NUMBER



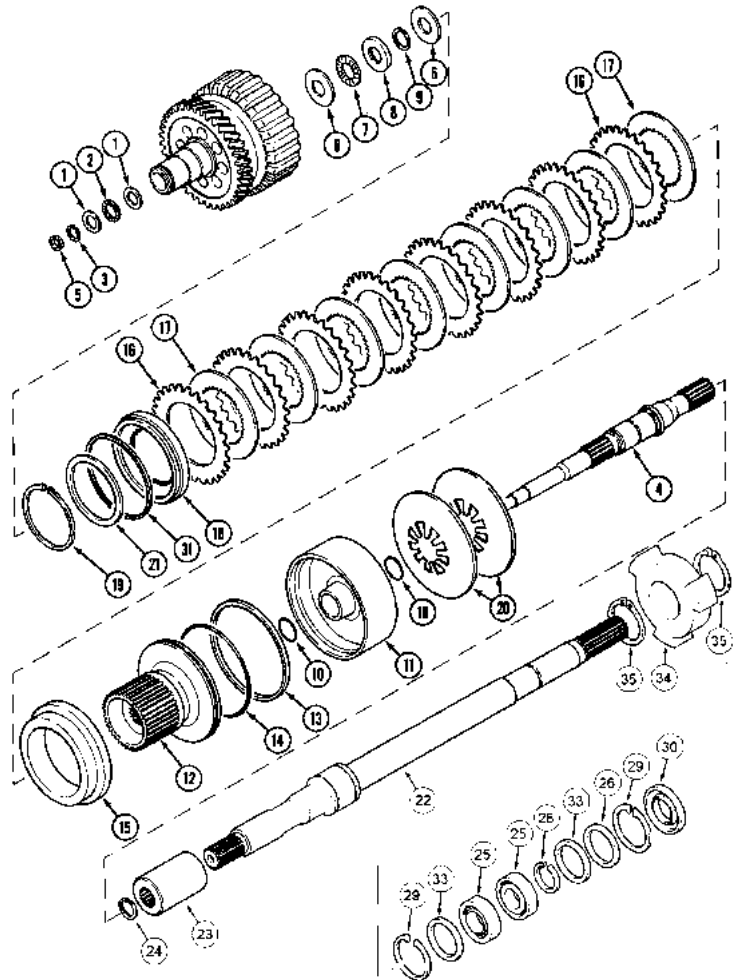
6 - Power Train

6 -
097

CLUTCH SHAFT

XTX Series XTX185, XTX200, XTX215 (2005-2007)

6097



- | | | | |
|----|-----------|---|------------|
| 1 | A186416 | 2 | WASHER |
| 2 | 324105R91 | 1 | PLATE |
| 3 | 100-1675 | 1 | RING |
| 4 | 702708A1 | 1 | SHAFT |
| 5 | A186413 | 1 | BUSH |
| 6 | A188925 | 2 | WASHER |
| 7 | A188926 | 1 | PLATE |
| 8 | A188927 | 1 | WASHER |
| 9 | A188928 | 1 | RING |
| 10 | 238-5122 | 2 | INSTANT GA |
| 11 | A190019 | 1 | CRANKCASE |
| 12 | 1341158C1 | 1 | HUB |
| 13 | A183534 | 1 | GASKET |
| 14 | 238-5158 | 1 | INSTANT GA |
| 15 | A188947 | 1 | PLATE |
| 16 | 244270A1 | 8 | LID |
| 17 | A188869 | 8 | PLATE |
| 18 | 1341228C1 | 1 | PLATE |
| 19 | 800-1185 | 1 | RING |
| 20 | 276551A1 | 0 | SPRING |
| 21 | A188888 | 0 | SPRAG |
- 716389A1 (1)

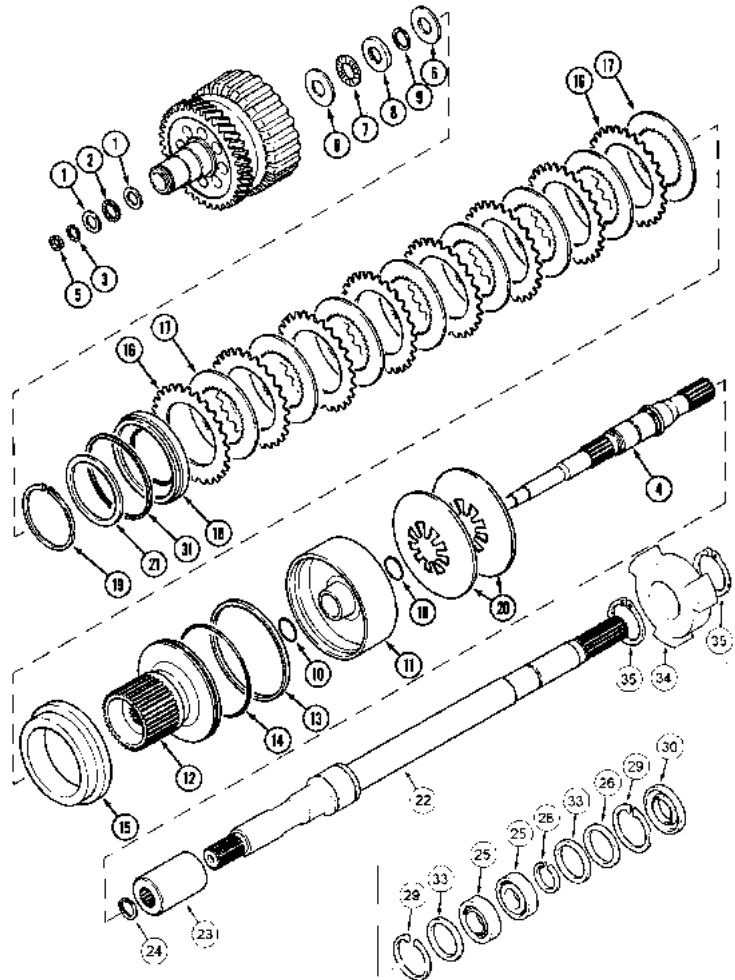
6 - Power Train



6 -
097

CLUTCH SHAFT

XTX Series XTX185, XTX200, XTX215 (2005-2007)

6097



- | | | | |
|----|--|---|---------|
| 21 | A188889 | 0 | SPRAG |
| 21 | A188890 | 0 | SPRAG |
| 22 | 705497A1 | 1 | SHAFT |
| 23 | A186409 | 1 | ARMREST |
| 24 | 100-21112 | 1 | RING |
| 25 | 709017A1 | 2 | BEARING |
| 26 | A175454 | 0 | SPRAG |
| 26 | K915557 | 0 | SPRAG |
| 26 | K915559 | 0 | SPRAG |
| 28 | A21619 | 1 | RING |
| 29 | 800-2165 | 2 | RING |
| 30 | 345-169 | 0 | LOCTITE |
| 30 | A190135 | 1 | GASKET |
| |  34x66x10 | | |
| 31 | A158051 | 1 | GASKET |
| 33 | 1341124C1 | 1 | DRIVING |
| 34 | 705720A1 | 1 | TOGGLE |
| 35 | 800-1152 | 2 | RING |
| |  715872A1 (1) | | |

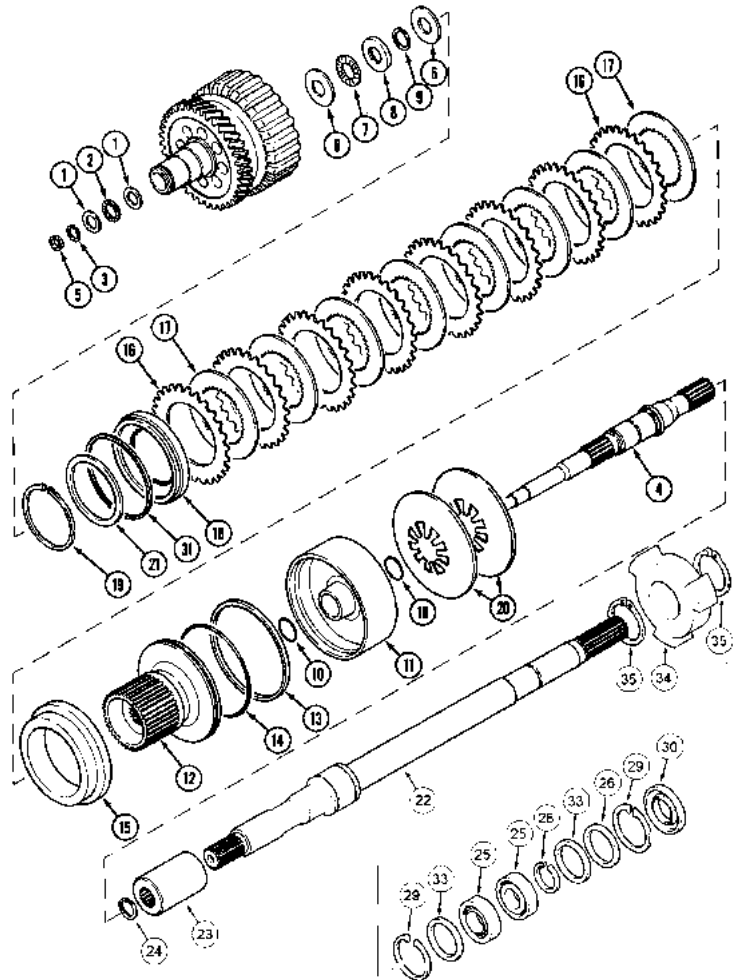
6 - Power Train

6 -
097

CLUTCH SHAFT

XTX Series XTX185, XTX200, XTX215 (2005-2007)

6097



OUTER

Drive

Pressure

1-1/8 ID x 3/32

35 mm

0,13 mm

0,51 mm

0,05 mm

0,25 mm

0,5 mm

No. 112

4-3/4 ID x 3/32

85 mm

1,0 mm

External: 26T

Internal: 40T

1ml 648

#XTX185(2), XTX200(3), XTX215(3)

4 WHEEL DRIVE

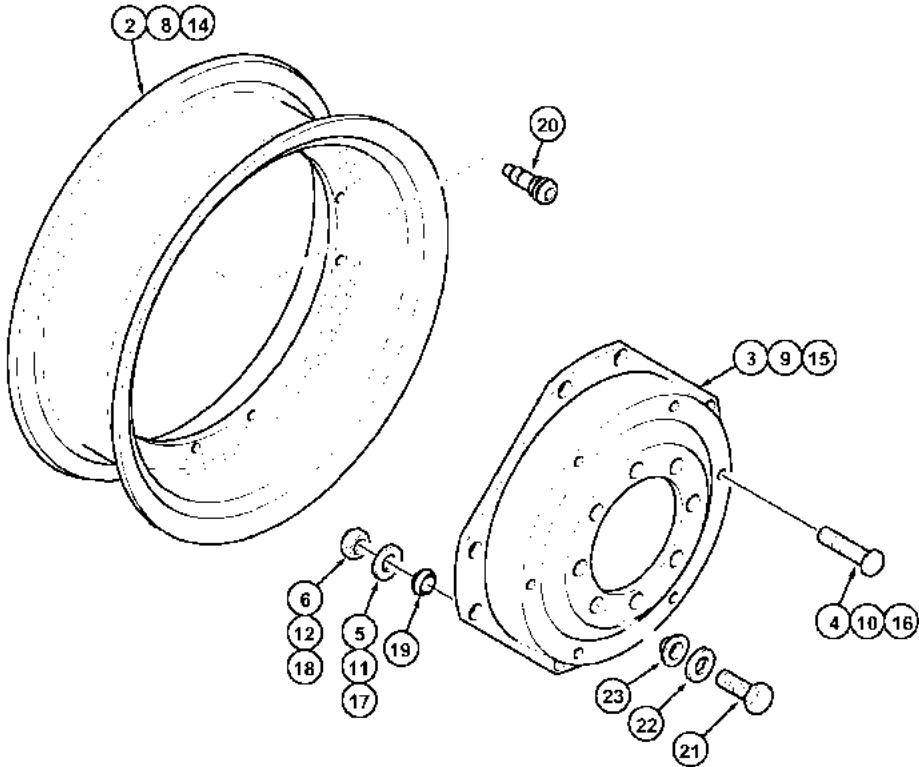
REAR



Y

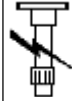
XTX Series XTX185, XTX200, XTX215 (2005-2007)

6099

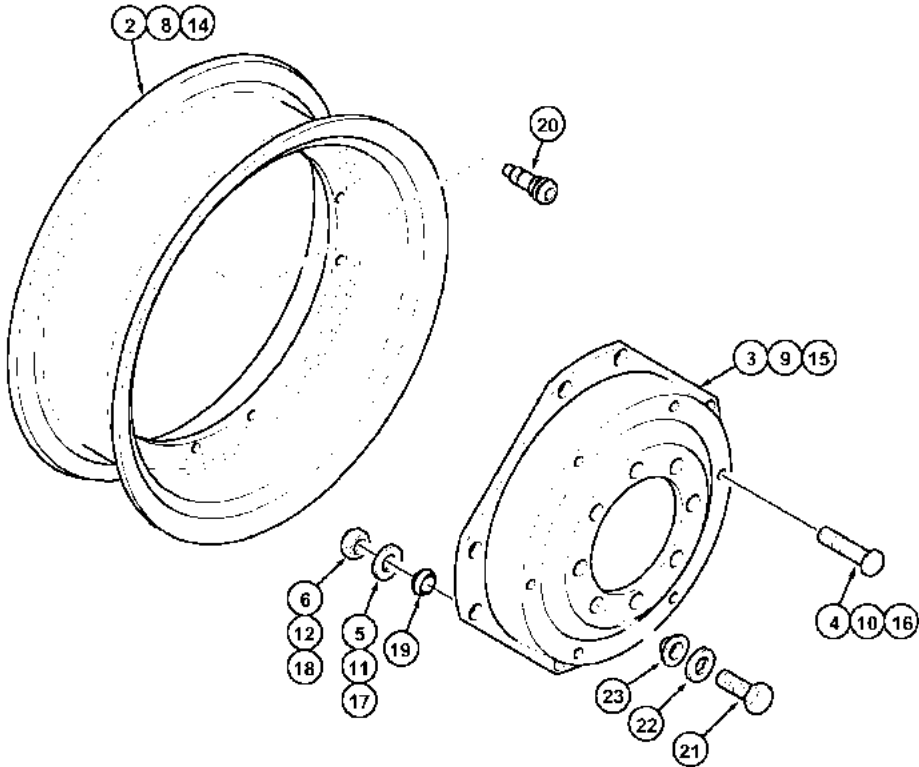


- | | | | | |
|----|-----------|------------------|----|-------------|
| 1 | 225421A1 | | 2 | Wheel Assy |
| 2 | 225423A1 | | 1 | Rim Assy |
| 3 | 225422A1 | | 1 | Disc, Wheel |
| 4 | 811-16050 | | 12 | BOLT |
| 5 | 896-11016 | ● 3019575X1 (12) | 12 | WASHER |
| 6 | 829-1416 | | 12 | NUT |
| 7 | 225424A1 | | 2 | HOOP |
| 8 | 225425A1 | | 1 | Rim Assy |
| 9 | 225422A1 | | 1 | Disc, Wheel |
| 10 | 811-16050 | | 12 | BOLT |
| 11 | 896-11016 | ● 3019575X1 (12) | 12 | WASHER |
| 12 | 829-1416 | | 12 | NUT |
| 13 | 225426A1 | | 2 | Wheel Assy |
| 14 | 225427A1 | | 1 | Rim Assy |
| 15 | 225422A1 | | 1 | Disc, Wheel |
| 16 | 811-16050 | | 12 | BOLT |

XTX Series XTX185, XTX200, XTX215 (2005-2007)



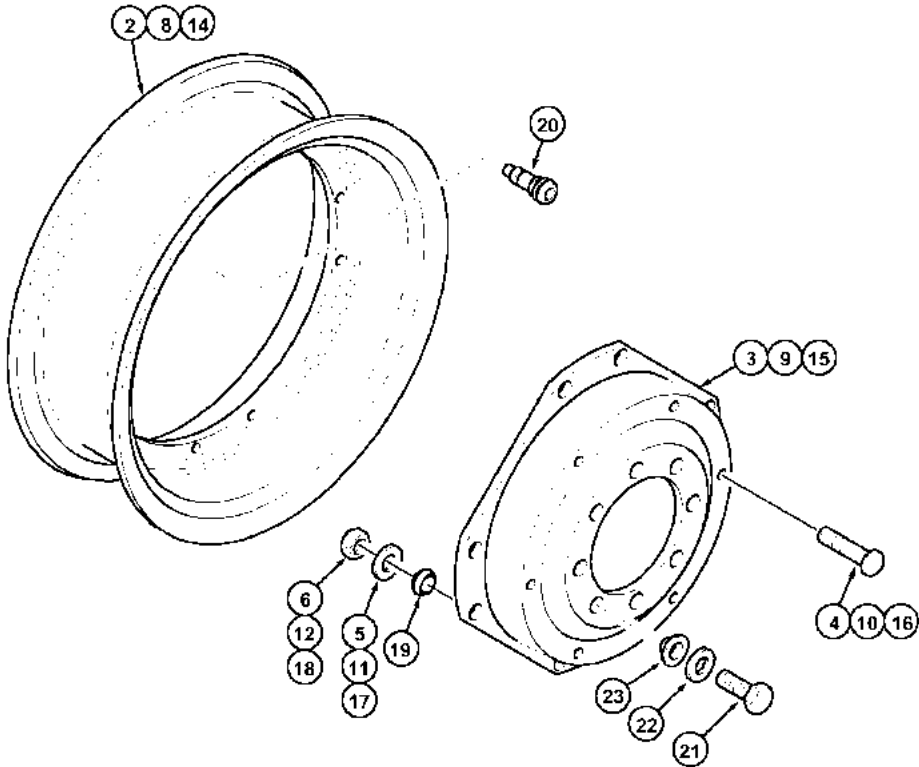
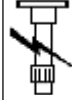
6099



- | | | | | | |
|----|-----------|---|----------------|----|------------|
| 17 | 896-11016 | ● | 3019575X1 (12) | 12 | WASHER |
| 18 | 829-1416 | | | 12 | NUT |
| 19 | 228128A1 | | | 8 | SPACER |
| 20 | A20058 | ● | 86507333 (2) | 2 | VALVE |
| 21 | 232974A2 | | | 16 | BOLT |
| 22 | 232975A1 | | | 16 | WASHER |
| 23 | 700478A1 | | | 0 | SPACER |
| 24 | 228235A1 | | | 2 | Wheel Assy |

XTX Series XTX185, XTX200, XTX215 (2005-2007)

6099



N.A. Only
17,5 x 30 x 4 mm
M16; 10
Consists Of: 2 - 6
Consists Of: 8 - 12
Consists Of: 14 - 18
M16 x 50; 8.8
M22
Tubeless Tyres
M22 x 80; 10,9
22 x 44 x 6 mm
38xW18L
W15L X 38
42xDD16
Use With: 25
42xDD18
NOT ILLUSTRATED

A

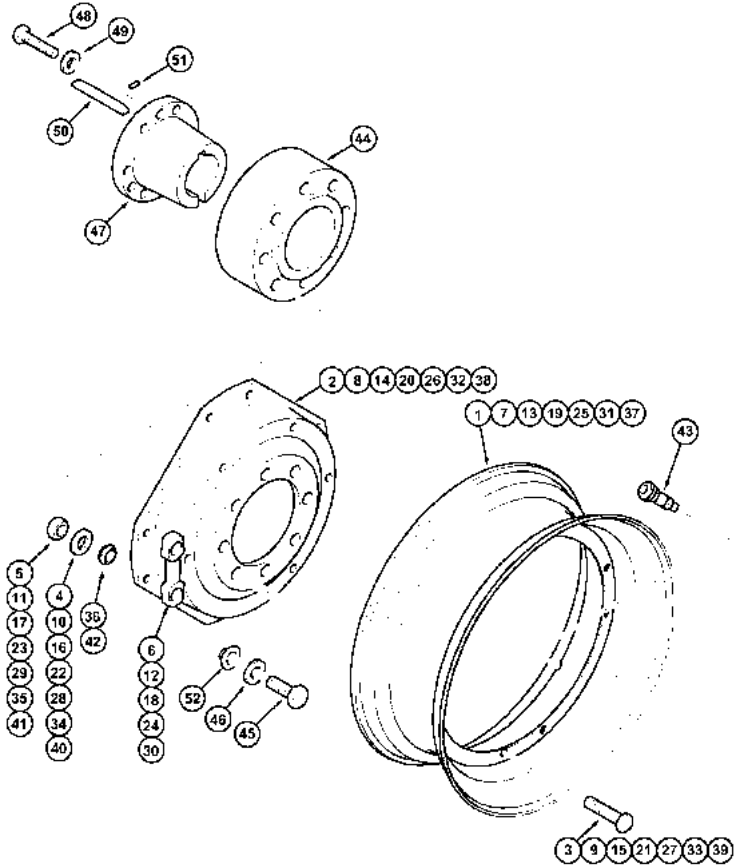
6 - Power Train

6 -
101

REAR WHEELS - ADJUSTABLE - G.K.N.

XTX Series XTX185, XTX200, XTX215 (2005-2007)

6101



- | | | | | |
|----|-----------|------------------|---|-------------|
| 1 | 300265A1 | | 1 | RIM |
| 2 | 710401A1 | | 1 | Disc, Wheel |
| 3 | 228125A1 | | 8 | BOLT |
| 4 | 1335135C1 | ● 89746C2 (8) | 8 | Washer |
| 5 | 228127A1 | ● 3404233R2 (8) | 8 | NUT |
| 6 | 250952A1 | ● 6514298M1 (16) | 8 | DRIVING |
| 7 | 300266A1 | | 1 | RIM |
| 8 | 710401A1 | | 1 | Disc, Wheel |
| 9 | 228125A1 | | 8 | BOLT |
| 10 | 1335135C1 | ● 89746C2 (8) | 8 | Washer |
| 11 | 228127A1 | ● 3404233R2 (8) | 8 | NUT |
| 12 | 250952A1 | ● 6514298M1 (8) | 4 | DRIVING |
| 13 | 245734A1 | | 1 | Rim Assy |
| 14 | 328073A1 | | 1 | Disc, Wheel |
| 15 | 228125A1 | | 8 | BOLT |
| 16 | 1335135C1 | ● 89746C2 (8) | 8 | Washer |

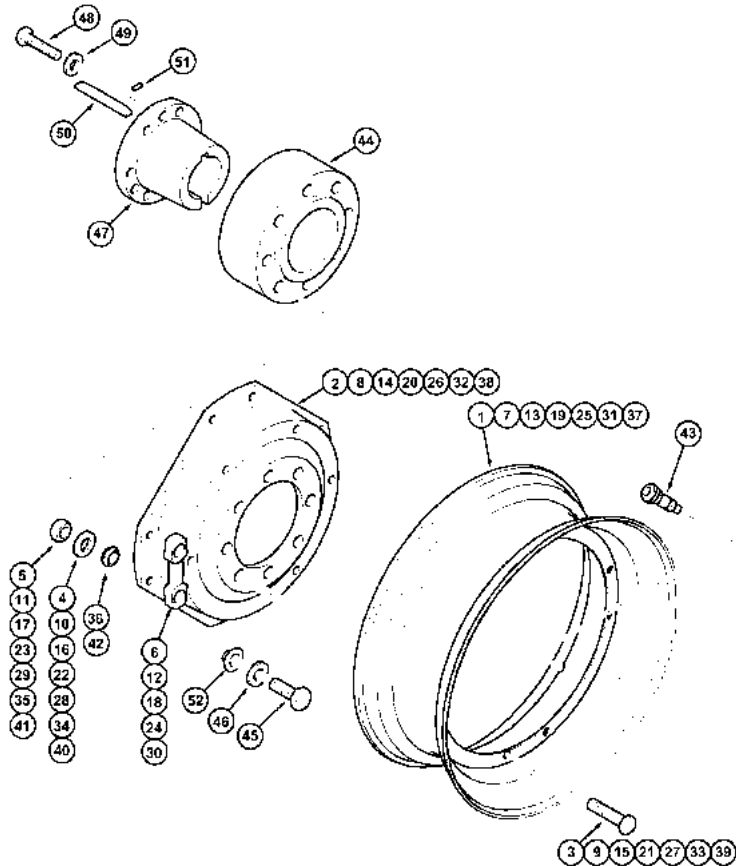
6 - Power Train

6 -
101

REAR WHEELS - ADJUSTABLE - G.K.N.

XTX Series XTX185, XTX200, XTX215 (2005-2007)

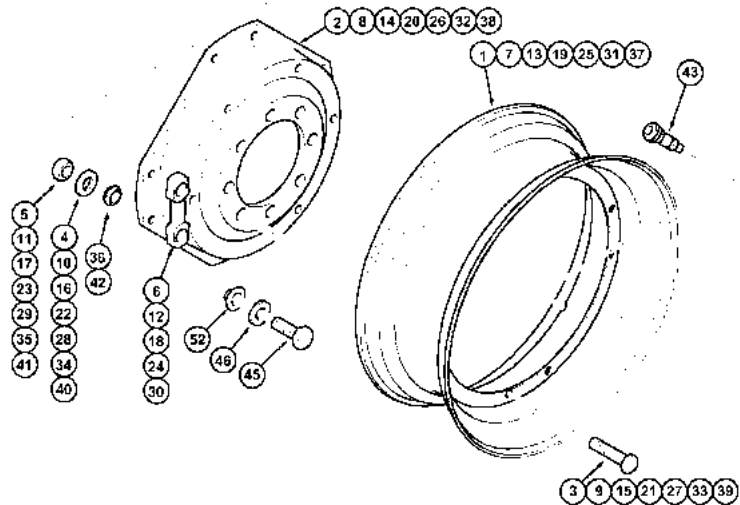
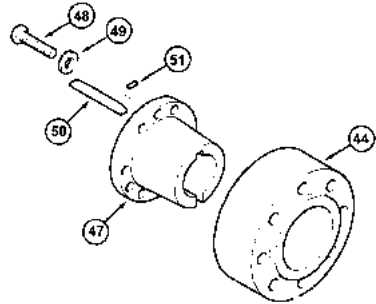
6101



17	228127A1	●	3404233R2 (8)	8	NUT
18	250952A1	●	6514298M1 (16)	8	DRIVING
19	245735A1			1	HOOP
20	311837A1			1	Disc, Wheel
21	228125A1			8	BOLT
22	1335135C1	●	89746C2 (8)	8	Washer
23	228127A1	●	3404233R2 (8)	8	NUT
24	250952A1	●	6514298M1 (16)	8	DRIVING
25	245733A1			1	HOOP
26	311837A1			1	Disc, Wheel
27	228125A1			8	BOLT
28	1335135C1	●	89746C2 (8)	8	Washer
29	228127A1	●	3404233R2 (8)	8	NUT
30	250952A1	●	6514298M1 (16)	8	DRIVING
31	245732A1			1	RIM
32	311835A1			1	DISC

XTX Series XTX185, XTX200, XTX215 (2005-2007)

6101



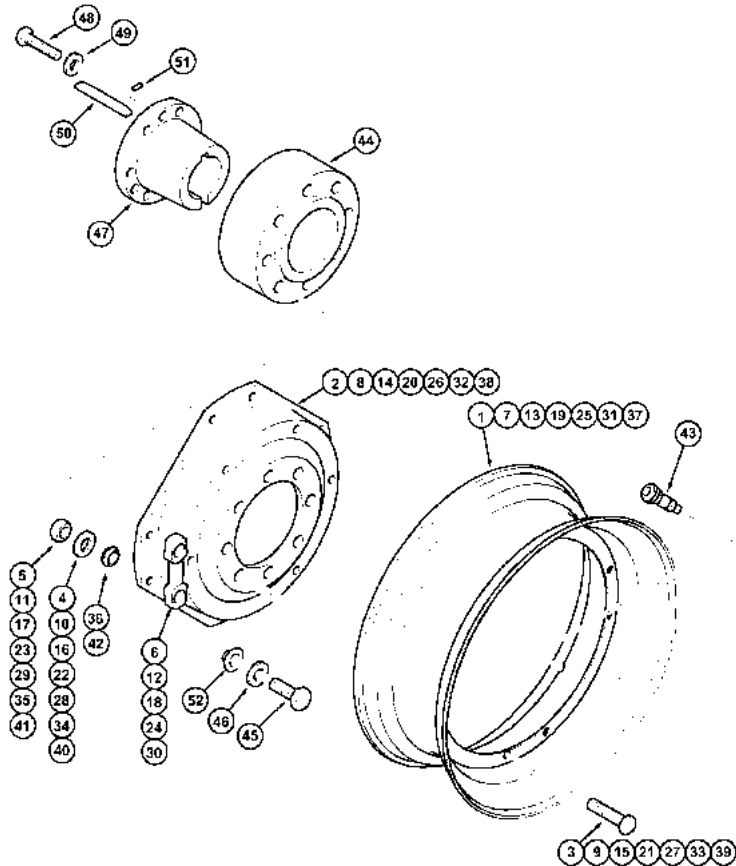
- | | | | |
|----|-----------|-----------------|----------|
| 33 | 228125A1 | | 8 BOLT |
| 34 | 1335135C1 | ● 89746C2 (8) | 8 Washer |
| 35 | 228127A1 | ● 3404233R2 (8) | 8 NUT |
| 36 | 228128A1 | | 8 SPACER |
- M16
36/38 in
DW15Lx38
17 x 33 x 5 mm
DW18Lx38
DW13x46
DW10x42
DW16x42
DW18Lx42

B

CONTINUED

XTX Series XTX185, XTX200, XTX215 (2005-2007)

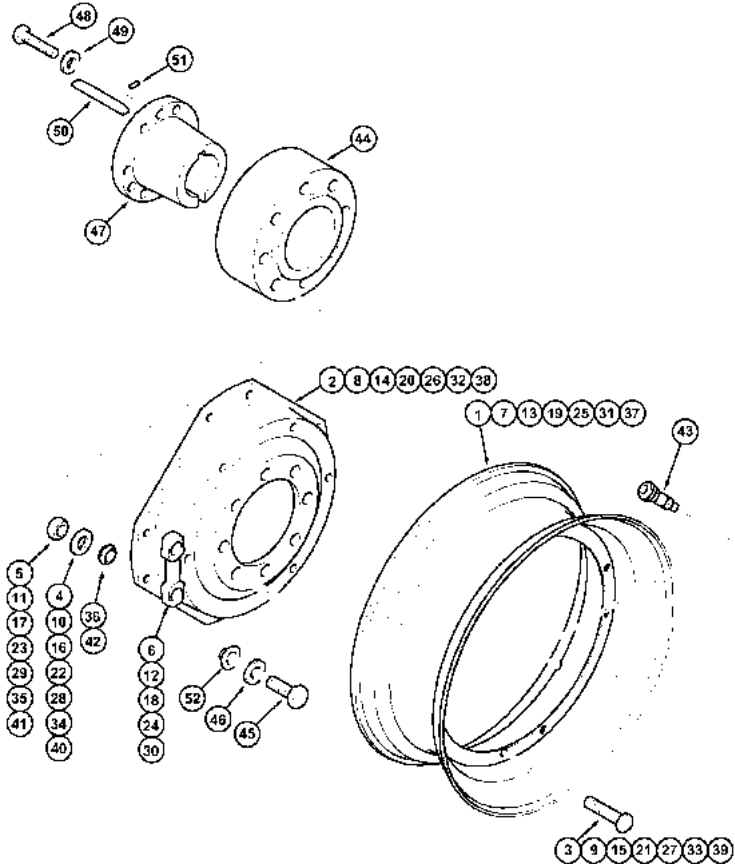
6103



37	245736A1		1	Rim Assy
38	311835A1		1	DISC
39	228125A1		8	BOLT
40	1335135C1	● 89746C2 (8)	8	Washer
41	228127A1	● 3404233R2 (8)	8	NUT
42	228128A1		8	SPACER
43	A20058	● 86507333 (2)	2	VALVE
44	241933A1		2	HUB
45	232974A2		16	BOLT
45	827-22080		16	BOLT
46	232975A1		16	WASHER
46	496-31094		16	WASHER
47	223769A1		2	BUSH
47	250850A1		2	BUSH
48	228273A1		12	SCREW
48	627-20110		12	BOLT

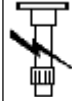
XTX Series XTX185, XTX200, XTX215 (2005-2007)

6103

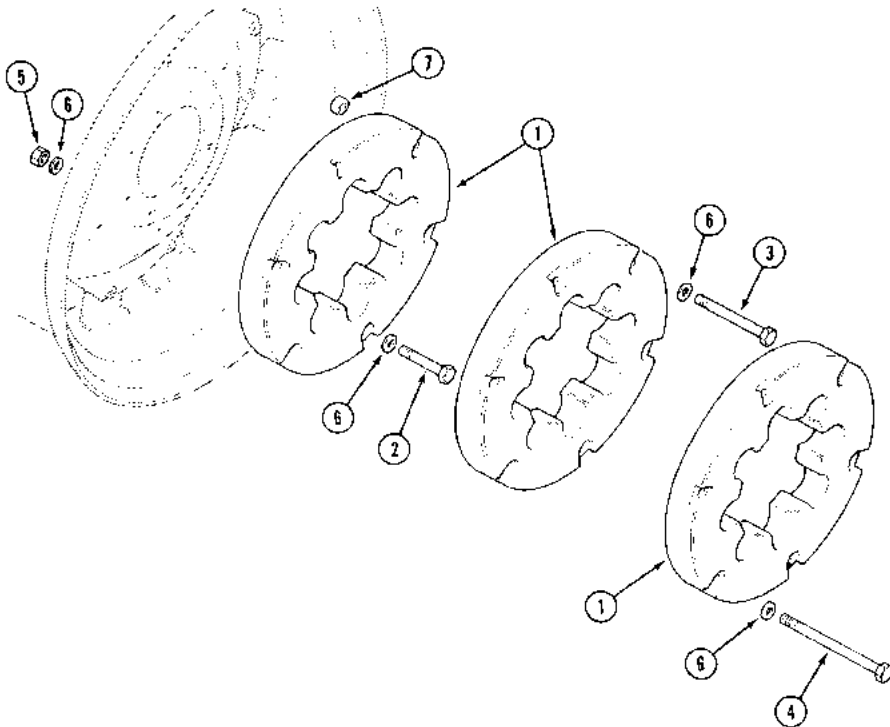


- | | | | |
|----|-----------|----|-------------|
| 49 | 232579A1 | 12 | LOCK WASHER |
| 50 | 1530716C1 | 2 | KEY |
| 50 | A63219 | 2 | KEY |
| 51 | 38-11608 | 2 | PIN |
| 52 | 700477A1 | 0 | Spacer |
| 52 | 700478A1 | 0 | SPACER |
-
- N.A. Only
M16
1/4 x 1/2
M20
Row Crop
M22
Tubeless Tyres
M22 x 80; 10,9
22 x 44 x 6 mm
3,5 in
M20 x 110; 10,9
20 x 38 x 6 mm
5/8 x 5
17 x 33 x 5 mm
4 in
3/4 x 6
DW10x50
15/16 x 1-3/4 x 7/32

XTX Series XTX185, XTX200, XTX215 (2005-2007)



6105



- | | | | |
|---|-----------|---|------------|
| 1 | 452747A1 | 0 | BALLAST WE |
| 2 | 814-16115 | 4 | SCREW |
| 3 | 814-16190 | 4 | SCREW |
| 4 | 814-16260 | 4 | BOLT |
| 5 | 825-1416 | 0 | NUT |
| 6 | 896-11016 | 0 | WASHER |
| 7 | 1534896C1 | 0 | SPACER |

17,5 x 30 x 4 mm

M16; 8

2nd Set

1st Set

M16 x 260; 8,8

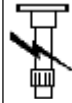
M16 x 115; 8,8

M16 x 190; 8,8

3rd Set

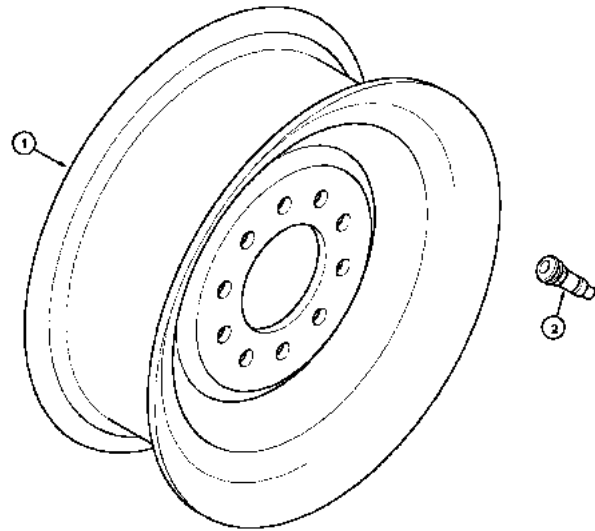
50kg (110lb)

XTX Series XTX185, XTX200, XTX215 (2005-2007)



6107

- | | | | | |
|---|----------|----------------|---|------------|
| 1 | 713056A1 | | 2 | Wheel Assy |
| 1 | 713058A1 | | 2 | Wheel Assy |
| 1 | 713061A1 | | 2 | Wheel Assy |
| 2 | A20058 | ● 86507333 (2) | 2 | VALVE |
| | | DW15L x 38 | | |
| | | DW16L x 42 | | |
| | | DW18L x 42 | | |



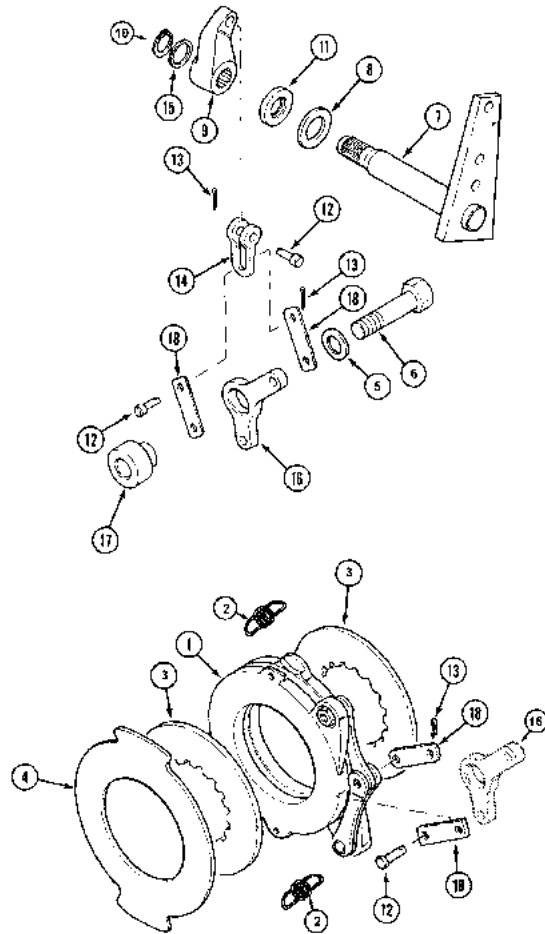
7 - Brakes

7 -
003

PARKING BRAKE

XTX Series XTX185, XTX200, XTX215 (2005-2007)

7003

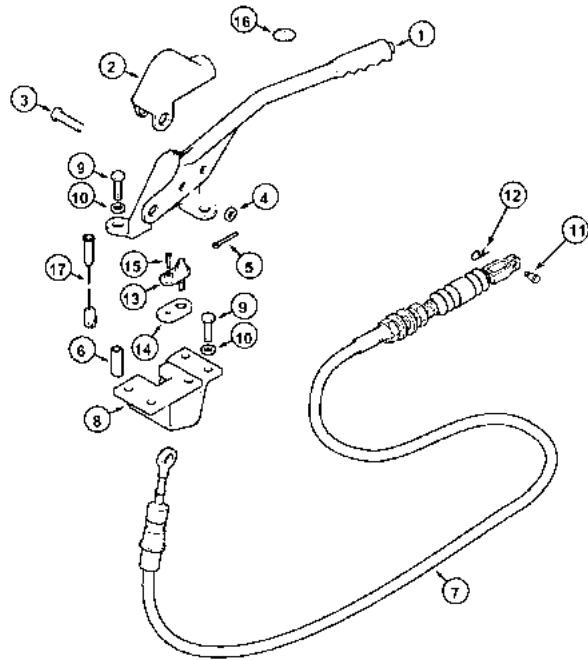


- | | | | |
|----|---------------|---|-------------|
| 1 | A158090 | 1 | BRAKE |
| 2 | 1997140C1 | 2 | Spring |
| 3 | 1345726C1 | 2 | LID |
| 4 | 1341163C3 | 1 | PLATE |
| 5 | 96-81009 | 1 | WASHER |
| 6 | 828-16060 | 1 | BOLT |
| 7 | A188092 | 1 | SHAFT |
| 8 | A178359 | 1 | WASHER |
| 9 | A190227 | 1 | LEVER |
| 10 | 100-1168 | 1 | RING |
| 11 | A159379 | 1 | GASKET |
| 12 | 27-6106 | 4 | CLEVIS PIN |
| 13 | 32-612 | 4 | Pin, Cotter |
| | ● 432-612 (4) | | |
| 14 | A188668 | 1 | CLEVIS |
| 15 | A190193 | 1 | WASHER |
| 16 | A188665 | 1 | LEVER |
| 17 | A188892 | 1 | DRIVING |
| 18 | A188100 | 4 | LINK |

Includes: 2
3/32 x 3/4
M16 x 60; 10,9
With Lever
11/16 x 1-1/2 x 1/8

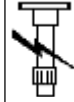
XTX Series XTX185, XTX200, XTX215 (2005-2007)

7005

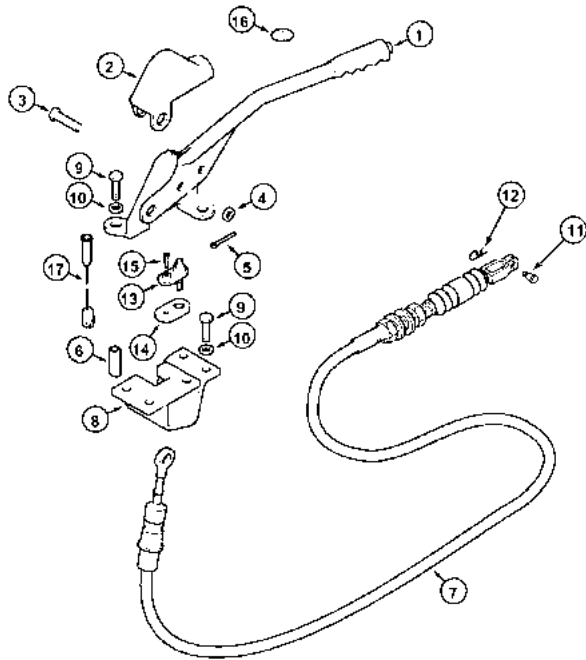


- | | | | | |
|----|-----------|--------------------|---|------------|
| 1 | 364587A1 | | 1 | BUTTON |
| 1 | 705518A1 | | 1 | HANDLE |
| 2 | 190015A1 | | 1 | MUFF |
| 3 | 427-6156 | | 1 | CLEVIS PIN |
| 4 | 895-18010 | ● 003555011250 (1) | 1 | WASHER |
| 5 | 733-2520 | | 1 | PIN |
| 6 | 225586A2 | | 1 | GASKET |
| 7 | 251422A5 | | 1 | CABLE |
| 8 | 225589A2 | | 1 | STRAP |
| 9 | 614-8025 | | 5 | SCREW |
| 10 | 895-11008 | | 5 | WASHER |
| 11 | 728-830 | | 1 | CLEVIS PIN |
| 12 | 733-2018 | | 1 | PIN |
| 13 | 1534229C1 | | 1 | SWITCH |
| 14 | 1534230C1 | | 1 | PLATE |
| 15 | 765-14322 | | 1 | SCREW |
| 16 | 1344282C1 | | 1 | DECAL |
| 17 | 224478A2 | | 1 | HARNESS |

XTX Series XTX185, XTX200, XTX215 (2005-2007)



7005



9 x 17 x 1,6 mm

M8 x 25; 8,8

M8 x 30

If So Equipped

11 x 18 x 1,6 mm

3/8 x 1-9/16

Service

2,5 x 20 mm

4.2 x 22 mm

2.0 x 18 mm

Includes: 364587A1,2

NOT ILLUSTRATED

A

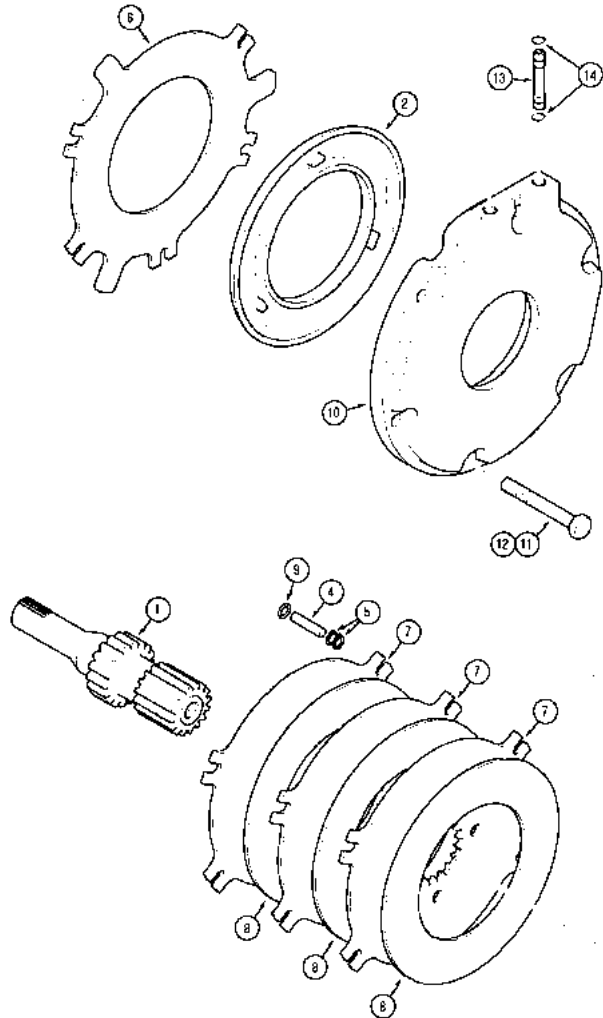
7 - Brakes

7 -
007

BRAKE DISCS

XTX Series XTX185, XTX200, XTX215 (2005-2007)

7007

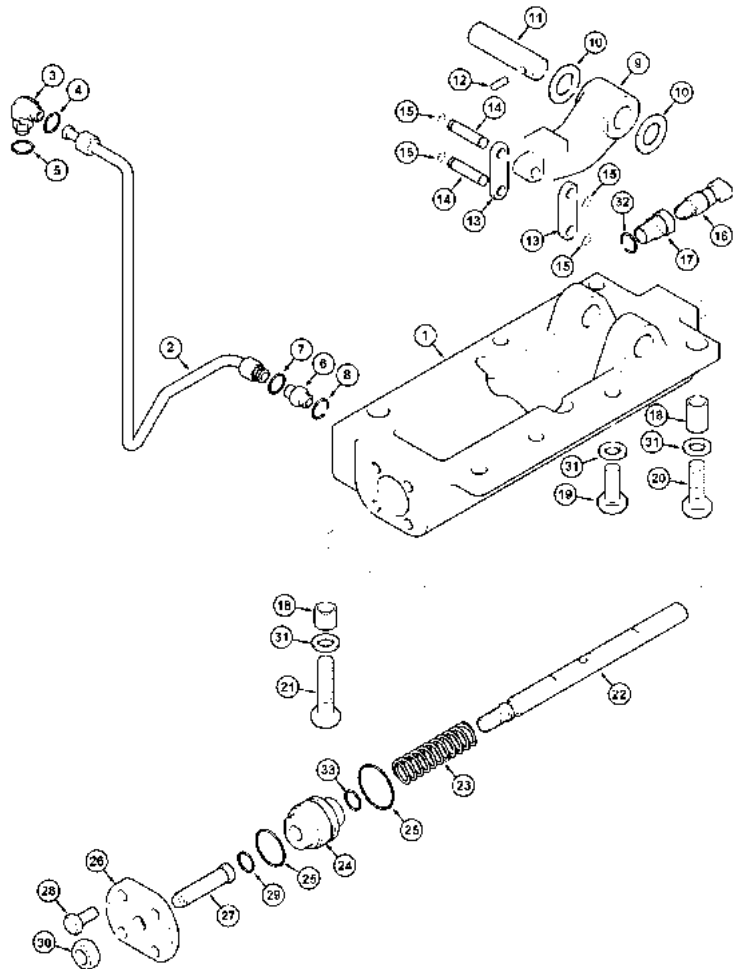


1	235311A1	●	235311A2 (2)	2	SHAFT
2	1997422C1			2	PISTON
4	1349198C1	●	1349198C3 (18)	6	ADJUSTER
4	37-1828	●	87016627 (1)	1	PIN
5	100-1450			1	CLIP
6	1981187C1	●	710039A1 (4) 714233A1 (4)	2	PLATE
7	120486C1	●	710039A1 (12) 714233A1 (12)	6	PLATE
8	120488C2	●	N.L.S. (6)	6	PLATE
9	1342928C1			12	WASHER
10	709799A2			2	Cover
11	813-16110			6	BOLT
12	814-16100			6	SCREW
13	247304A2			6	PIPE
14	238-5013			12	O RING

Brake
Diff Lock
7/16 ID x 1/16
Adjusting
Separator
M16 x 110, 8.8
M16 x 100; 8.8
Consists Of: 37-1828,5

XTX Series XTX185, XTX200, XTX215 (2005-2007)

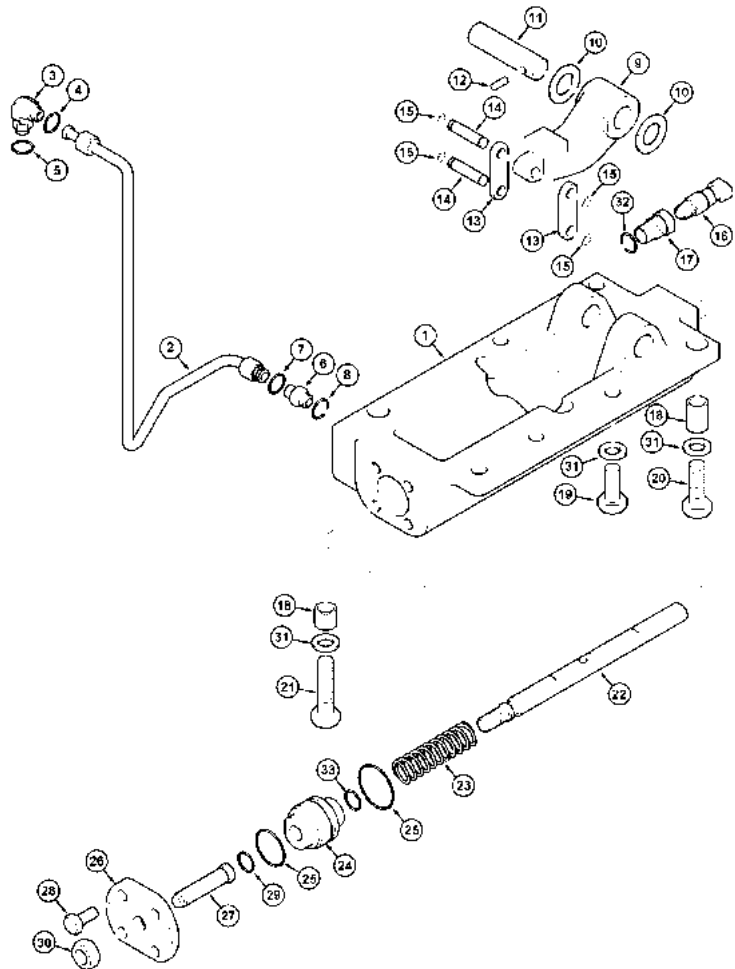
7009



- | | | | | |
|----|-----------|-----------------|---|-------------|
| 1 | 705715A1 | | 1 | HOUSING |
| 2 | 710390A1 | ● 710390A2 (1) | 1 | TUBE ASSY |
| 3 | 700-305 | | 1 | COMPLIANCE |
| 4 | 238-6014 | | 1 | INSTANT GA |
| 5 | 637-63153 | | 1 | RING |
| 6 | 700-102 | | 1 | COMPLIANCE |
| 7 | 238-6014 | | 1 | INSTANT GA |
| 8 | 637-63153 | | 1 | RING |
| 9 | 705719A1 | ● 705719A2 (1) | 1 | COCK |
| 10 | 709059A1 | ● 4203360M1 (2) | 2 | WASHER |
| 11 | 705721A1 | | 1 | PIN |
| 12 | 838-3645 | | 1 | PIN |
| 13 | 705722A1 | | 2 | PLATE |
| 14 | 705724A1 | | 2 | PIN |
| 15 | 800-118 | | 4 | RING |
| 16 | 252677A1 | | 1 | FINAL DRIVE |
| 17 | 705726A1 | | 1 | PLUG |
| 18 | A50011 | | 2 | LINER |
| 19 | 628-12040 | | 5 | BOLT |
| 20 | 814-12050 | | 1 | BOLT |

XTX Series XTX185, XTX200, XTX215 (2005-2007)

7009

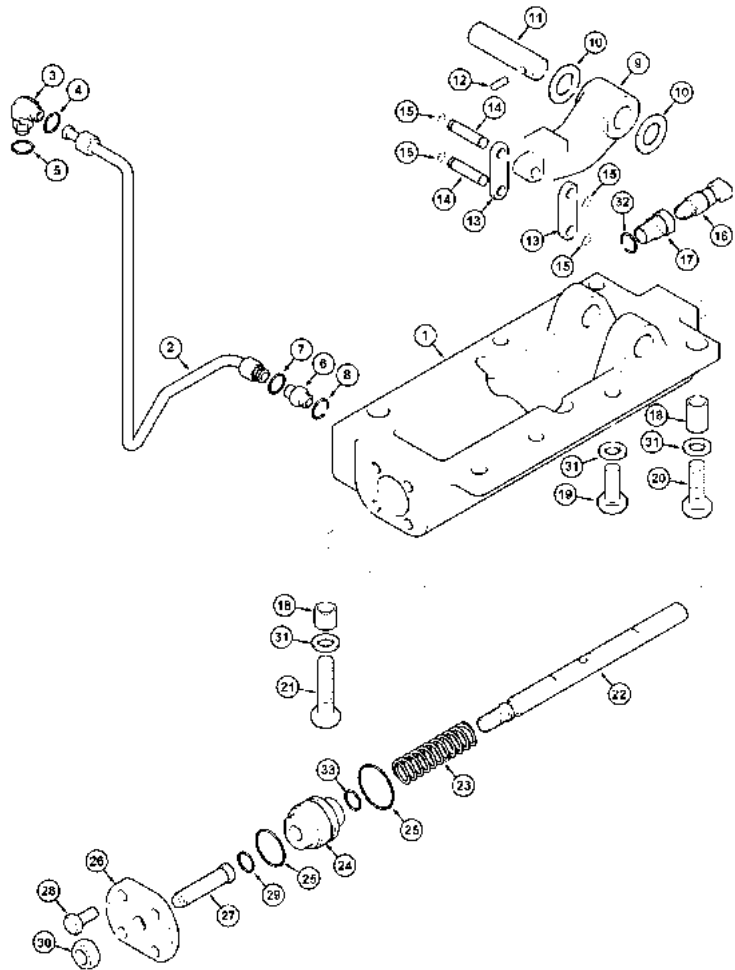


- 21 828-12090
- 22 705718A1
- 23 705723A1
- 24 705717A1
- 25 638-53355
- 26 705725A1
- 27 705716A1
- 28 628-10025
- 29 238-6112
- 30 825-1416
- 31 896-12012
- 32 712654A1
- 33 638-53140

- 1 BOLT
- 1 STUD
- 1 SPRING
- 1 PISTON
- 2 O-Ring
- 1 PLUG
- 1 SCREW
- 4 BOLT
- 1 INSTANT GA
- 1 NUT
- 7 WASHER
- 1 O-Ring
- 1 O-Ring

XTX Series XTX185, XTX200, XTX215 (2005-2007)

7009



- Includes: 4,5
- M16; 8
- 7/8 ID x 1/8
- 13,5 x 24 x 3 mm
- M12 x 40; 10,9
- M10 x 25; 10,9
- 1/2 ID x 1/16
- Includes: 7,8
- M12 x 50; 8,8
- 6 x 45 mm
- 15,3 ID x 2,2 mm
- M12 x 90; 10,9
- 20 x 77 mm
- 8 x 33 mm
- 282 mm
- 35.51 x 2.65
- 24.6 x 2.62
- 14.0 x 2.65

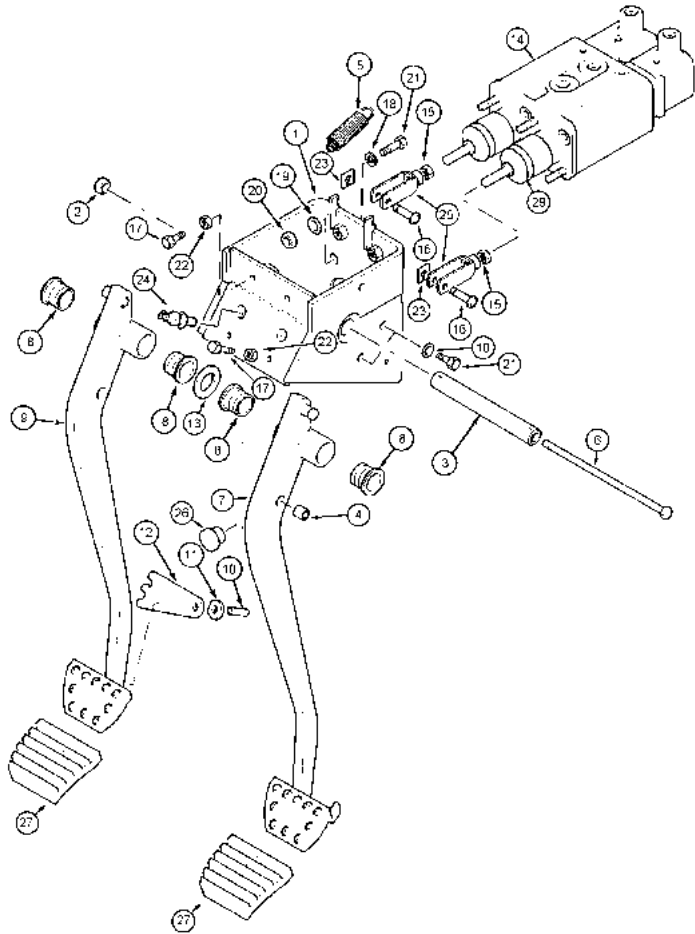
7 - Brakes

7 -
011

BRAKE PEDALS AND MASTER CYLINDERS - WITH BOOSTER

XTX Series XTX185, XTX200, XTX215 (2005-2007)

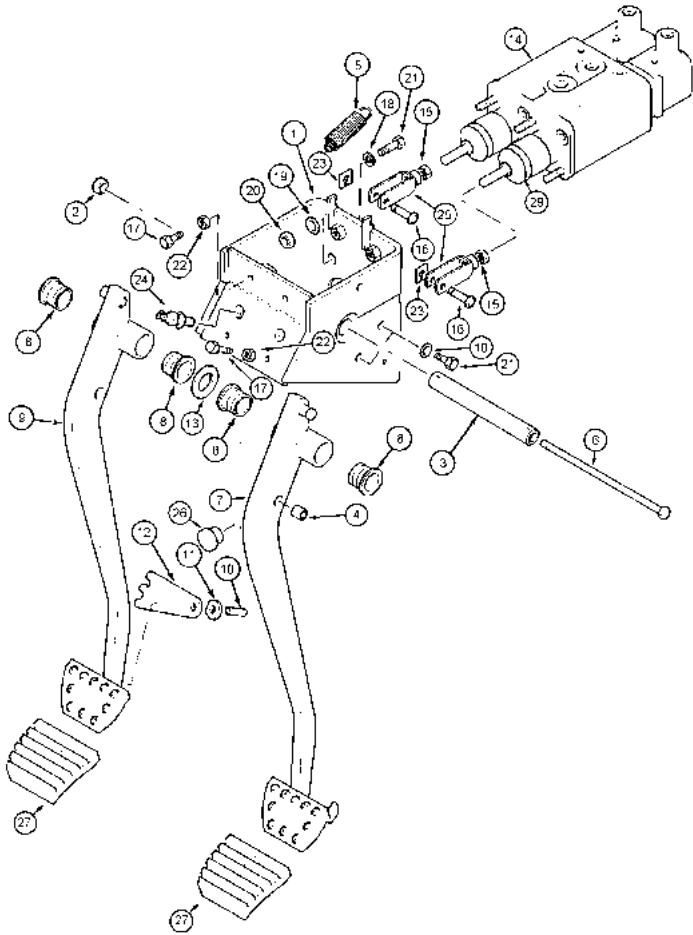
7011



- | | | | | | |
|----|-----------|---|----------------|---|------------|
| 1 | 282779A1 | ● | 4220875M91 (1) | 1 | PEDAL |
| 2 | NSS | | | 1 | Nut |
| 3 | NSS | | | 1 | Spacer |
| 4 | NSS | | | 2 | Bushing |
| 5 | 258097A1 | ● | 284992A1 (1) | 1 | SPRING |
| 6 | NSS | | | 1 | Bolt |
| 7 | NSS | | | 1 | Pedal |
| 8 | 1990753C1 | | | 4 | BUSH |
| 9 | NSS | | | 1 | Pedal |
| 10 | NSS | | | 1 | Pin, Roll |
| 11 | NSS | | | 1 | Washer |
| 12 | NSS | | | 1 | Lever |
| 13 | NSS | | | 1 | Washer |
| 14 | 426556A1 | ● | N.L.S. (1) | 1 | VALVE |
| 15 | 829-4410 | ● | 3009694X1 (2) | 2 | NUT |
| 16 | 192869A1 | | | 2 | CLEVIS PIN |
| 17 | 614-8035 | | | 4 | SCREW |
| 18 | 895-11008 | | | 4 | WASHER |
| 19 | 895-11008 | | | 4 | WASHER |
| 20 | 829-1408 | | | 4 | NUT |
| 21 | 614-8020 | | | 4 | SCREW |

XTX Series XTX185, XTX200, XTX215 (2005-2007)

7011



- 22 829-1408
- 23 193182A1
- 24 177499A2
- 25 236323A1
- 26 128209A1
- 27 282803A1
- 28 709212A1

- 4 NUT
- 2 CLIP
- 2 SWITCH
- 2 CLEVIS
- 2 PLUG
- 2 PLATE
- 2 Boot

9 x 17 x 1,6 mm

Left

Right

M8 x 20; 8,8

M8 x 35; 8,8

M8; 10

Includes: 28

M10; 5

Includes: 2 - 13

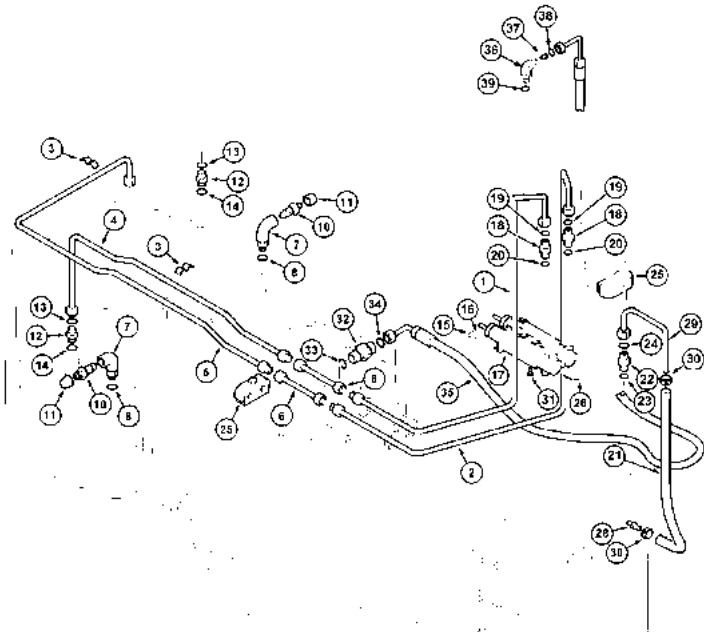
7 - Brakes

7 -
013

BRAKE SYSTEM

XTX Series XTX185, XTX200, XTX215 (2005-2007)

7013



- | | | | | |
|----|-----------|----------------|---|------------|
| 1 | 710925A2 | | 1 | TUBE ASSY |
| 2 | 710926A2 | | 1 | TUBE ASSY |
| 3 | 275246A1 | | 0 | TIE |
| 4 | 710729A2 | ● 710729A6 (1) | 1 | TUBE ASSY |
| 5 | 710728A2 | ● 710728A6 (0) | 0 | TUBE ASSY |
| 6 | 711769A1 | | 2 | HYDR HOSE |
| 7 | 709728A1 | | 2 | UNION |
| 8 | TBA | | 1 | O-Ring |
| 10 | 3068777R1 | | 2 | Screw |
| 11 | 600357A1 | | 2 | CAP |
| 12 | 700-102 | | 2 | COMPLIANCE |
| 13 | 238-6014 | | 1 | INSTANT GA |
| 14 | 637-63153 | | 1 | RING |
| 15 | 829-1408 | | 2 | NUT |
| 16 | 895-11008 | | 2 | WASHER |
| 17 | 426556A1 | ● N.L.S. (1) | 1 | VALVE |
| 18 | 700-101 | | 2 | COMPLIANCE |

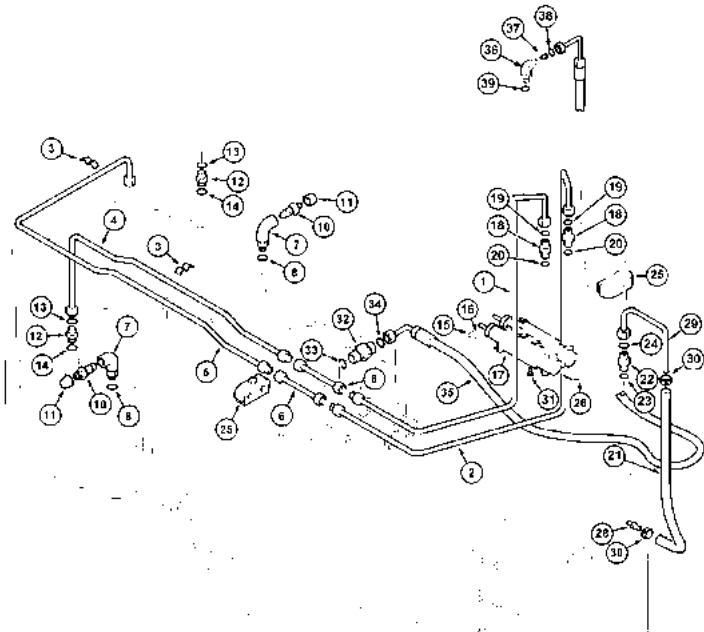
7 - Brakes

7 -
013

BRAKE SYSTEM

XTX Series XTX185, XTX200, XTX215 (2005-2007)

7013



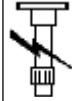
- 19 238-6012
- 20 637-63173
- 21 224283A1

- 22 700-102
- 23 637-63153
- 24 238-6014
- 25 277391A1
- 26 224552A1
- 28 217-152
- 29 358611A1
- 30 196252A1
- 31 614-8016

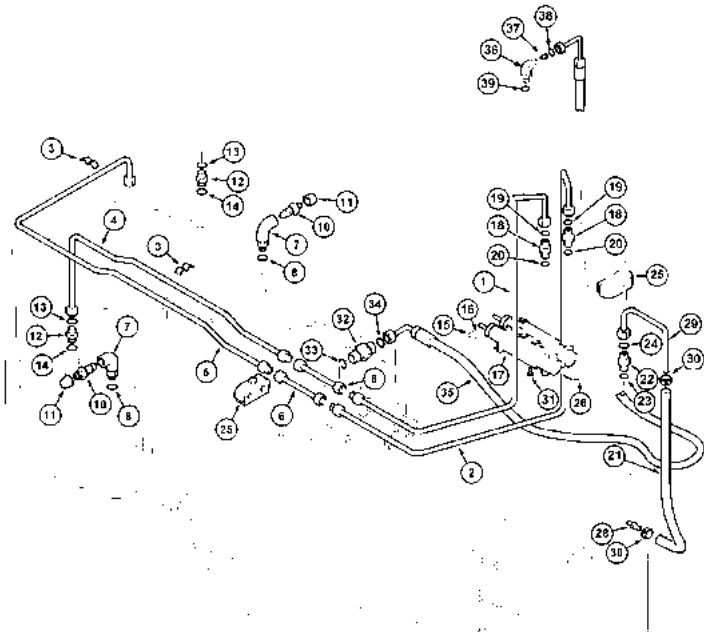
- 1 INSTANT GA
- 1 GASKET
- 1 HYDR HOSE

- 1 COMPLIANCE
- 1 RING
- 1 INSTANT GA
- 0 BRIDLE
- 1 CABLE
- 1 UNION
- 1 FUEL PIPE
- 2 CLAMP
- 1 SCREW

XTX Series XTX185, XTX200, XTX215 (2005-2007)



7013



- M8 x 16; 8,8
- 9 x 17 x 1,6 mm
- Left
- Right
- M8; 10
- Includes: 19,20
- 1/2 in
- Includes: 8
- 3/8 ID x 1/16
- 1/2 ID x 1/16
- Includes: 23,24
- Includes: 13,14
- See Page(s): 7-11
- 15,3 ID x 2,2 mm
- 17,3 ID x 2,2 mm
- Bleed
- 1025 mm
- Cut From: 4 x 364358C2
- CONTINUED

B

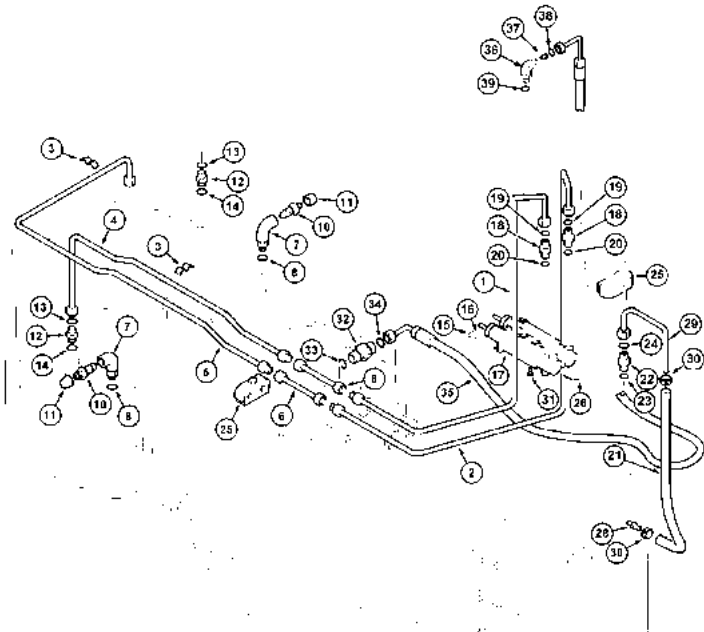
7 - Brakes

7 -
015

BRAKE SYSTEM

XTX Series XTX185, XTX200, XTX215 (2005-2007)

7015



- | | | | |
|-----|-----------|---|-------------|
| 32 | 411712A1 | 1 | VALVE |
| 33 | TBA | 1 | O-Ring |
| 34 | TBA | 1 | O-Ring |
| 35 | 433578A2 | 1 | HOSE CLIP |
| 36 | 362863A1 | 1 | ELBOW |
| 37 | 133519C1 | 1 | Screen Assy |
| 38 | 238-6012 | 1 | INSTANT GA |
| 39 | 637-63113 | 1 | RING |
| 200 | 364358C2 | 0 | HOSE |

Bulk Length
1/2 in
1700 mm
3/8 ID x 1/16
11,3 ID x 2,2 mm
Without Trailer Brake
Includes: 33,34
Includes: 37 - 39

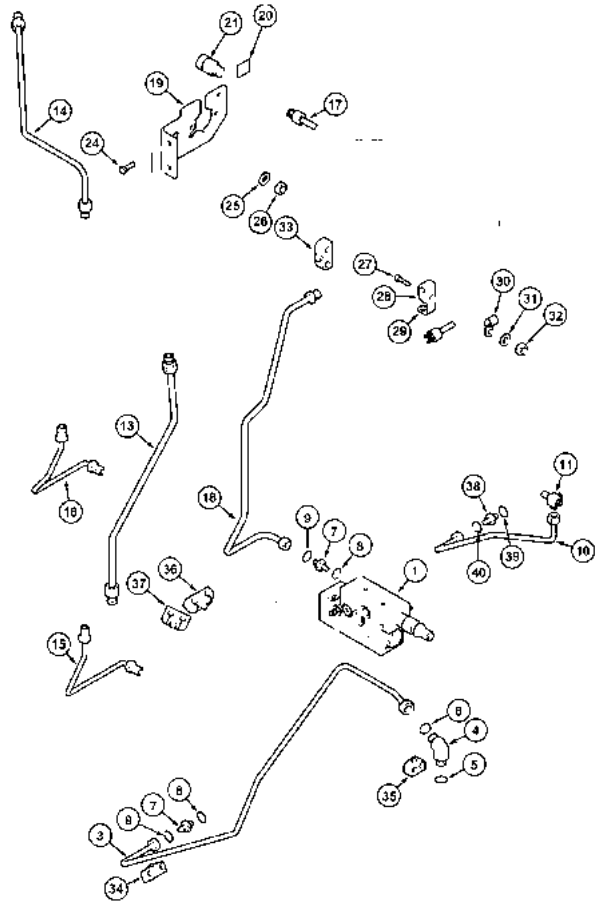
7 - Brakes

7 -
017

HYDRAULIC TRAILER BRAKE CIRCUIT - Europe Only

XTX Series XTX185, XTX200, XTX215 (2005-2007)

7017



- | | | | |
|----|-----------|---|--------------|
| 1 | 710932A1 | 1 | Valve, Brake |
| 3 | 710730A3 | 1 | TUBE ASSY |
| 4 | 700-305 | 1 | COMPLIANCE |
| 5 | 637-63153 | 1 | RING |
| 6 | 238-6014 | 1 | INSTANT GA |
| 7 | 700-102 | 2 | COMPLIANCE |
| 8 | 637-63153 | 1 | RING |
| 9 | 238-6014 | 1 | INSTANT GA |
| 10 | 710731A2 | 1 | TUBE ASSY |
| 11 | 283227A1 | 1 | UNION |
| 13 | 710732A2 | 1 | TUBE ASSY |
| 14 | 710733A2 | 1 | TUBE ASSY |
| 15 | 257488A1 | 1 | FUEL PIPE |
| 16 | 279522A1 | 1 | FUEL PIPE |
| 17 | 300231A2 | 1 | HYDR HOSE |
| 18 | 281455A1 | 1 | FUEL PIPE |
| 19 | 708765A1 | 1 | SUPPORT |
| 20 | 1533489C1 | 1 | DECAL |
| 21 | 225077A1 | 1 | ARMREST |
| 24 | 844-10025 | 2 | BOLT |

● 4215782M91 (1)

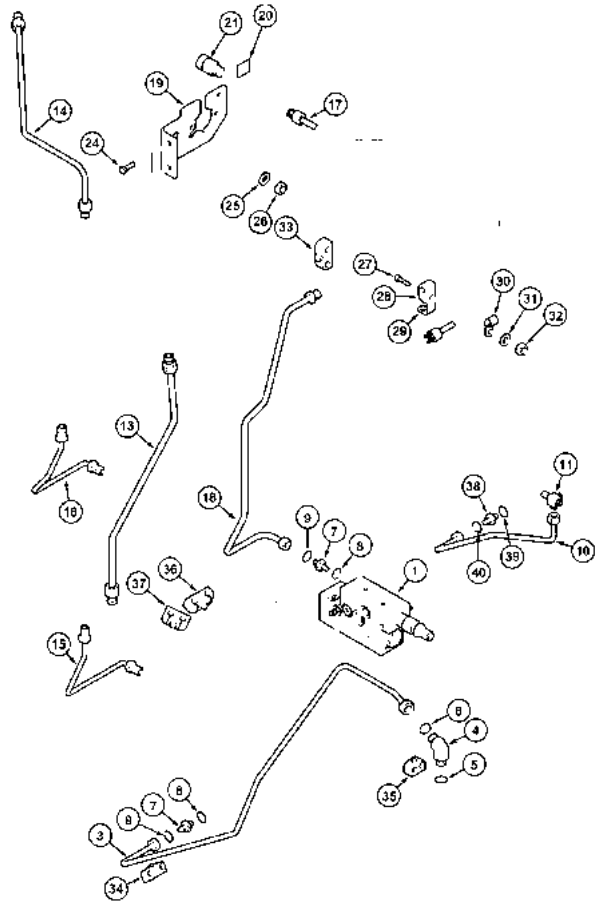
7 - Brakes

7 -
017

HYDRAULIC TRAILER BRAKE CIRCUIT - Europe Only

XTX Series XTX185, XTX200, XTX215 (2005-2007)

7017



- 25 895-11008
- 26 829-1308
- 27 814-6040
- 28 T101170
- 29 706038A1
- 30 515-21127

- 2 WASHER
- 2 NUT FNS
- 1 SCREW
- 1 BRIDLE
- 1 STIRRUP
- 1 CLAMP

9 x 17 x 1,6 mm

Left

Right

1/2 ID

M8; 10

M10 x 25; 8,8

1/2 ID x 1/16

Includes: 8,9

Includes: 5,6

Supply

M6 x 40; 8,8

15,3 ID x 2,2 mm

845 mm

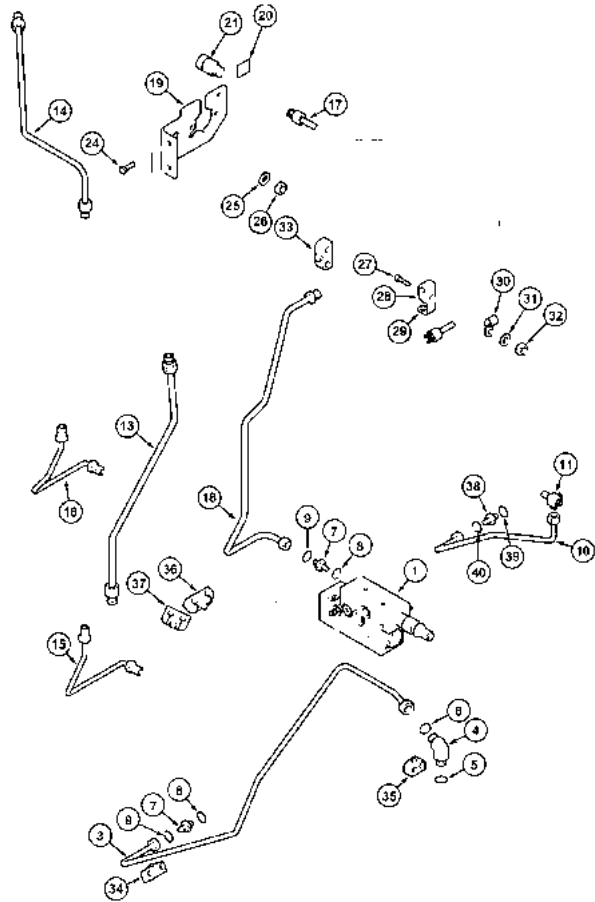
See Page(s): 7-21

B

CONTINUED

XTX Series XTX185, XTX200, XTX215 (2005-2007)

7019



- | | | | | |
|----|-----------|----------------|---|------------|
| 31 | 896-12006 | | 1 | WASHER |
| 32 | 825-1306 | | 1 | NUT |
| 33 | 254699A2 | | 1 | BRIDLE |
| 34 | 252872A1 | ● 252872A2 (1) | 1 | CLAMP |
| 35 | 256553A1 | | 1 | CLAMP |
| 36 | 279724A1 | | 1 | BRIDLE |
| 37 | 277391A1 | | 1 | BRIDLE |
| 38 | 223971A1 | ● 713966A2 (1) | 1 | VALVE |
| 39 | 637-63113 | | 1 | RING |
| 40 | 238-6012 | | 1 | INSTANT GA |

M6; 8

3/8 ID x 1/16

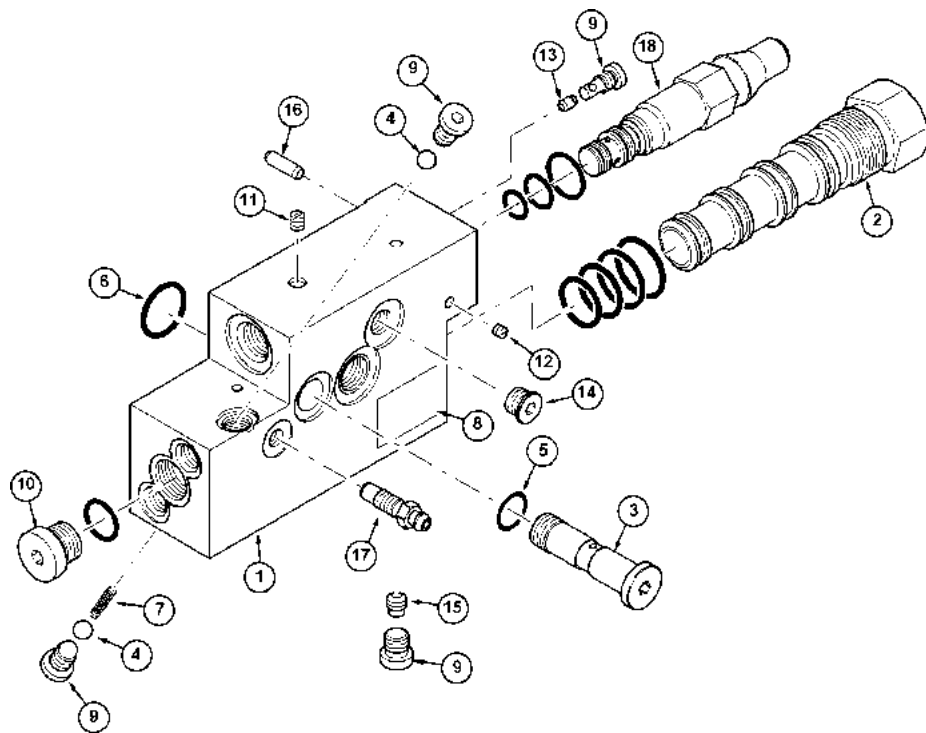
6,6 x 12,5 x 2 mm

11,3 ID x 2,2 mm

Includes: 39,40

XTX Series XTX185, XTX200, XTX215 (2005-2007)

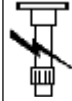
7021



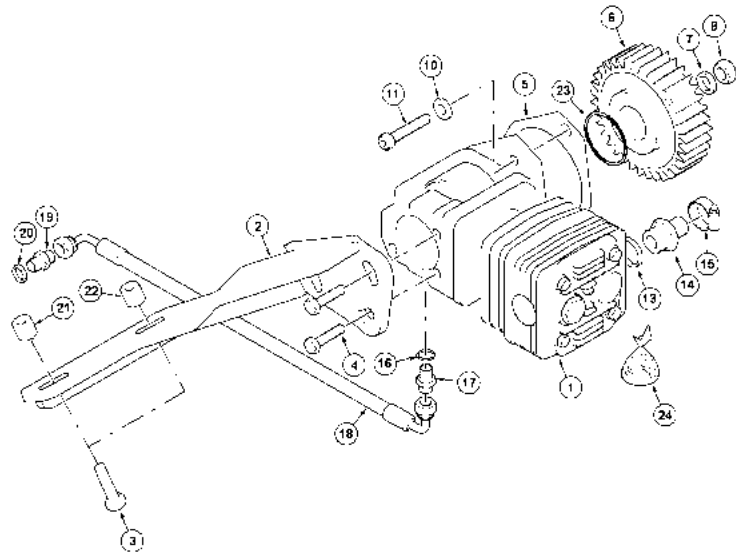
- | | | | |
|----|----------|---|--------------|
| 1 | 710932A1 | 1 | Valve, Brake |
| 2 | 712926A1 | 1 | CARTRIDGE |
| 3 | 712928A1 | 1 | Fitting |
| 4 | TBA | 2 | Ball |
| 5 | 712929A1 | 1 | O-Ring |
| 6 | 712930A1 | 1 | O-Ring |
| 7 | TBA | 1 | Spring |
| 8 | TBA | 1 | Plate |
| 9 | TBA | 4 | Plug |
| 10 | TBA | 1 | Plug |
| 11 | TBA | 3 | Plug |
| 12 | TBA | 5 | Plug |
| 13 | TBA | 1 | RESTRICTOR |
| 14 | TBA | 1 | Plug |
| 15 | TBA | 1 | RESTRICTOR |
| 16 | 712925A1 | 1 | Pin, Roll |
| 17 | 712924A1 | 1 | Screw, Bleed |
| 18 | 712923A1 | 1 | Valve, Brake |

Includes: 2 - 18

XTX Series XTX185, XTX200, XTX215 (2005-2007)



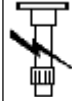
7023



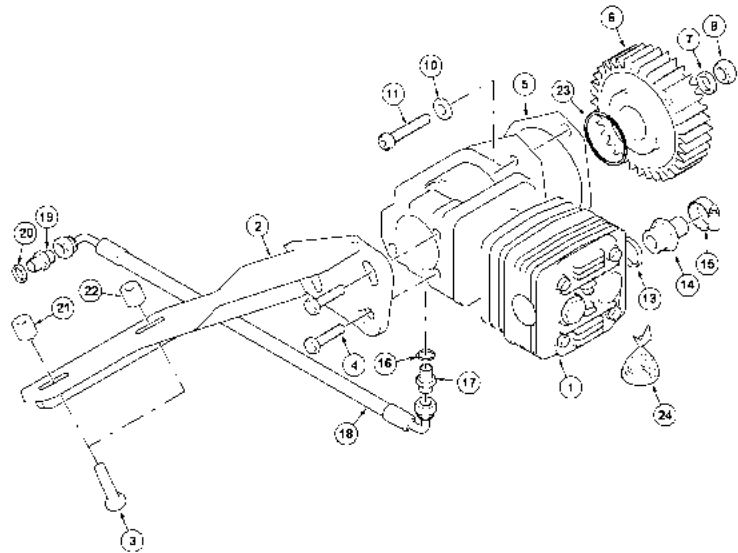
- | | | | |
|----|-----------|---|--------------|
| 1 | 705950A1 | 1 | COMPRESSOR |
| 2 | 702086A1 | 1 | Bracket Assy |
| 3 | 844-12055 | 3 | BOLT |
| 4 | 844-10025 | 3 | BOLT |
| 5 | 705951A1 | 1 | GASKET |
| 6 | 704097A1 | 1 | GEAR |
| 7 | 705952A1 | 1 | Washer |
| 8 | 705953A1 | 1 | Nut |
| 10 | 895-11012 | 2 | WASHER |
| 11 | 864-12035 | 2 | SCREW |
| 13 | 704012A1 | 1 | Seal |
| 14 | 706551A1 | 1 | Fitting |
| 15 | 701640A1 | 1 | Clamp |
| 16 | 303671A1 | 1 | GASKET |
| 17 | 303674A1 | 1 | ADAPTOR |
| 18 | 705957A1 | 1 | PIPE |
| 19 | 705954A1 | 1 | Connector |
| 20 | 706552A1 | 1 | Seal |
| 21 | 704191A1 | 1 | Bushing |
| 22 | 701754A1 | 1 | Bushing |
| 23 | 710347A1 | 1 | O-Ring |

● 4215431M1 (1)

XTX Series XTX185, XTX200, XTX215 (2005-2007)

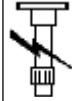


7023

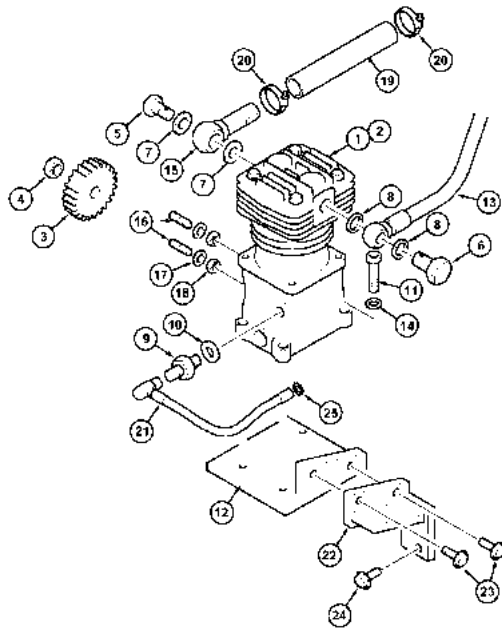


- | | | |
|----|--------------------|-------|
| 24 | 6520927M91 | 1 KIT |
| | M10 x 25; 8,8 | |
| | Drive | |
| | M12 x 35; 8,8 | |
| | 13,5 x 24 x 2,5 mm | |
| | M12 x 55; 8,8 | |
| | Supply | |
| | Mounting | |
| | M22 | |
| | 35T | |
| | 40 x 13 x 29mm | |
| | 40 x 14 x 27mm | |

XTX Series XTX185, XTX200, XTX215 (2005-2007)




7025



- | | | | |
|----|-----------|---|--------------|
| 1 | 704030A2 | 1 | Compressor |
| 2 | 702783A1 | 1 | Compressor |
| 3 | 704006A1 | 1 | Gear |
| 4 | 704007A1 | 1 | Nut |
| 5 | 704009A1 | 1 | Bolt, Banjo |
| 6 | 704010A1 | 1 | Bolt, Banjo |
| 7 | 704011A1 | 2 | Seal |
| 8 | 704012A1 | 2 | Seal |
| 9 | 303674A1 | 1 | ADAPTOR |
| 10 | 303671A1 | 1 | GASKET |
| 11 | 864-8035 | 4 | SCREW |
| 12 | 704015A1 | 1 | Bracket Assy |
| 13 | 704018A1 | 1 | PIPE |
| 14 | 895-11008 | 4 | WASHER |
| 15 | TBA | 1 | Adapter |
| 16 | 704008A1 | 2 | Stud |
| 17 | 895-11012 | 2 | WASHER |
| 18 | 829-1412 | 2 | NUT |
| 19 | 704223A1 | 1 | Hose |
| 20 | 214-1410 | 2 | CLAMP |
| 21 | 704019A1 | 1 | Hose Assy |
| 22 | 704016A1 | 1 | Bracket |
| 23 | 844-10025 | 3 | BOLT |

7 - Brakes

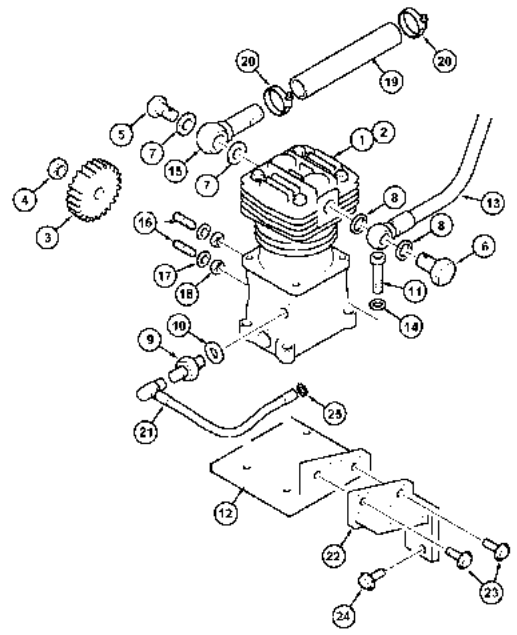
7 -
025



7025

PNEUMATIC TRAILER BRAKE - COMPRESSOR AND MOUNTING - XTX215

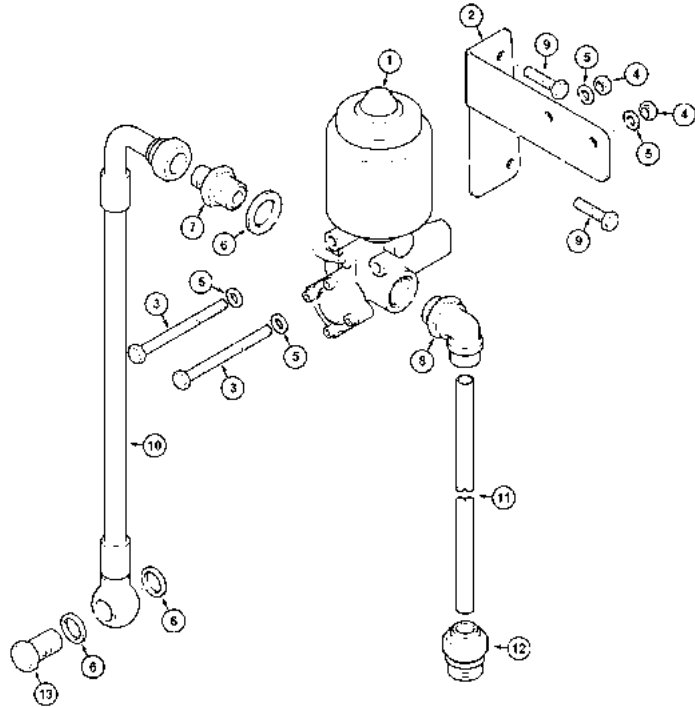
XTX Series XTX185, XTX200, XTX215 (2005-2007)



- | | | | |
|----|---------------------|---|------|
| 24 | 844-10035 | 2 | BOLT |
| 25 | 704020A1 | 1 | Seal |
| | M8 x 35 | | |
| | 9 x 17 x 1,6 mm | | |
| | M10 | | |
| | M10 x 25; 8,8 | | |
| | M12; 10 | | |
| | 9/16 - 1-1/16 | | |
| | 13,5 x 24 x 2,5 mm | | |
| | M10 x 35; 8,8 | | |
| | Consists Of: 2 - 15 | | |
| | 430 mm | | |
| | M22 | | |
| | M26 | | |

XTX Series XTX185, XTX200, XTX215 (2005-2007)

7027



- | | | | | | |
|----|-----------|---|--------------|---|---------------|
| 1 | 700192A1 | ● | 700192A2 (1) | 1 | EVAPORATOR |
| 2 | 710082A1 | | | 1 | Bracket |
| 3 | 814-8090 | | | 2 | BOLT |
| 4 | 829-1408 | | | 2 | NUT |
| 5 | 895-11008 | | | 4 | WASHER |
| 6 | 704012A1 | | | 3 | Seal |
| 7 | 303791A1 | | | 1 | ADAPTOR |
| 8 | 708795A1 | ● | 303801A1 (1) | 1 | Elbow, 90 |
| 9 | 844-10030 | | | 2 | BOLT |
| 10 | 303837A1 | | | 1 | PIPE |
| 11 | 710083A1 | | | 1 | Hose |
| 11 | 710084A1 | | | 1 | HOSE |
| 12 | 303792A1 | | | 1 | Fitting, Pipe |
| 13 | 704010A1 | | | 1 | Bolt, Banjo |

9 x 17 x 1,6 mm

M8; 10

M10 x 30

M22

M22 x 3/8

3 mtrs

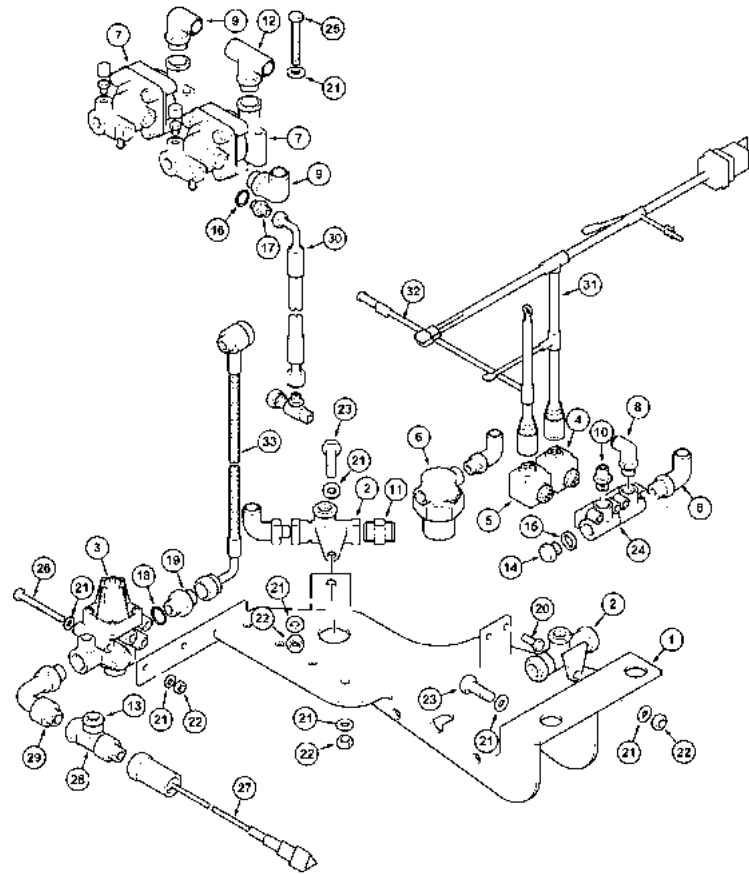
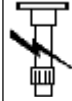
M8 x 90

#XTX215

#XTX185, XTX200

XTX Series XTX185, XTX200, XTX215 (2005-2007)

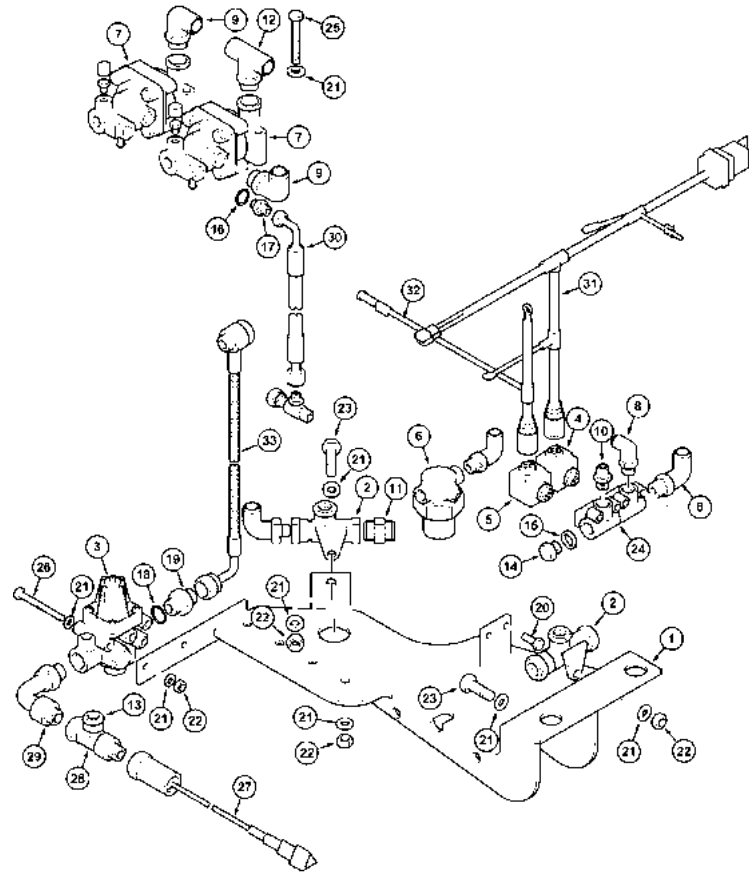
7029



1	712598A1	1	Bracket
2	298162A1	2	VALVE
3	298145A1	1	DISTRIBUTOR
4	356756A1	1	ELBOW
5	709969A1	1	Valve, Con
6	709971A1	1	Valve, Con
7	298156A1	2	VALVE
	TA2003-1-8		
	sulle ultime		
	macchine dalla		
	matricola		
	JJE3500027 è stata		
	montata la nuova		
	valvola 714352a1 che		
	però non è		
	intercambiabile con la		
	298156a1		
	TA2003-2/8-IS		
7	714352A1	2	VALVE
8	709965A1	6	Fitting
9	303805A1	6	ELBOW
10	708201A1	1	Fitting
11	303808A1	1	CONNECTION
12	303803A1	1	Tee
13	303792A1	1	Fitting, Pipe
14	709966A1	1	Plug
15	384961A1	1	RING
16	704013A1	2	SEAL
	● 303675A1 (2)		
17	303674A1	2	ADAPTOR
18	704012A1	1	Seal
19	303791A1	1	ADAPTOR
20	614-6025	2	BOLT
21	895-11008	16	WASHER
22	829-1408	8	NUT
23	614-8025	2	SCREW

XTX Series XTX185, XTX200, XTX215 (2005-2007)

7029



- | | | | |
|----|----------|------------------|-----------------|
| 24 | 709963A1 | | 1 Kit, Mounting |
| 25 | 814-8070 | | 4 BOLT |
| 26 | 814-8080 | | 2 BOLT |
| 27 | 711992A1 | ● 6501711M91 (1) | 1 SENSOR |
| 28 | 708203A1 | | 1 Tee |
| 29 | 712601A1 | | 1 Adapter |
| 30 | 712602A1 | | 2 Hose Assy |
| 31 | 373727A1 | ● 4215727M91 (1) | 1 HARNESS |
| 32 | 709964A1 | | 1 Harness Assy |
| 33 | 706586A1 | | 1 Hose |
| 33 | 709994A1 | | 1 HOSE |

9 x 17 x 1,6 mm

M8 x 25; 8,8

M10

M8; 10

M16

M8 x 80

M6 x 25

M8 x 70; 8,8

Outlet

M22

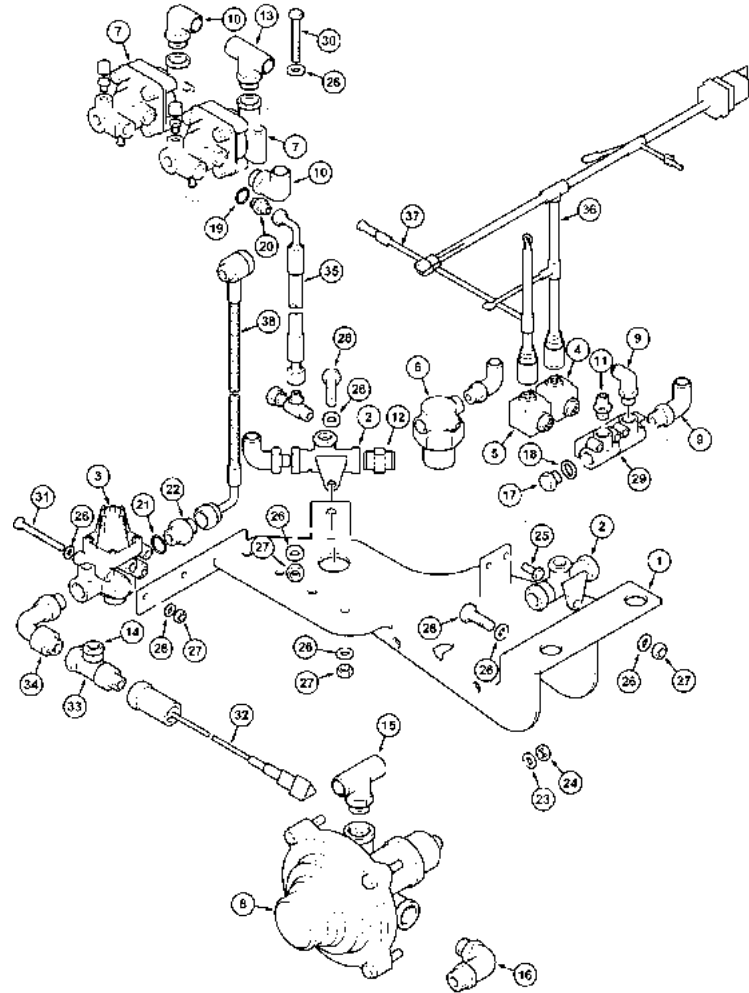
M22 x 3/8

#XTX215

#XTX185, XTX200

XTX Series XTX185, XTX200, XTX215 (2005-2007)

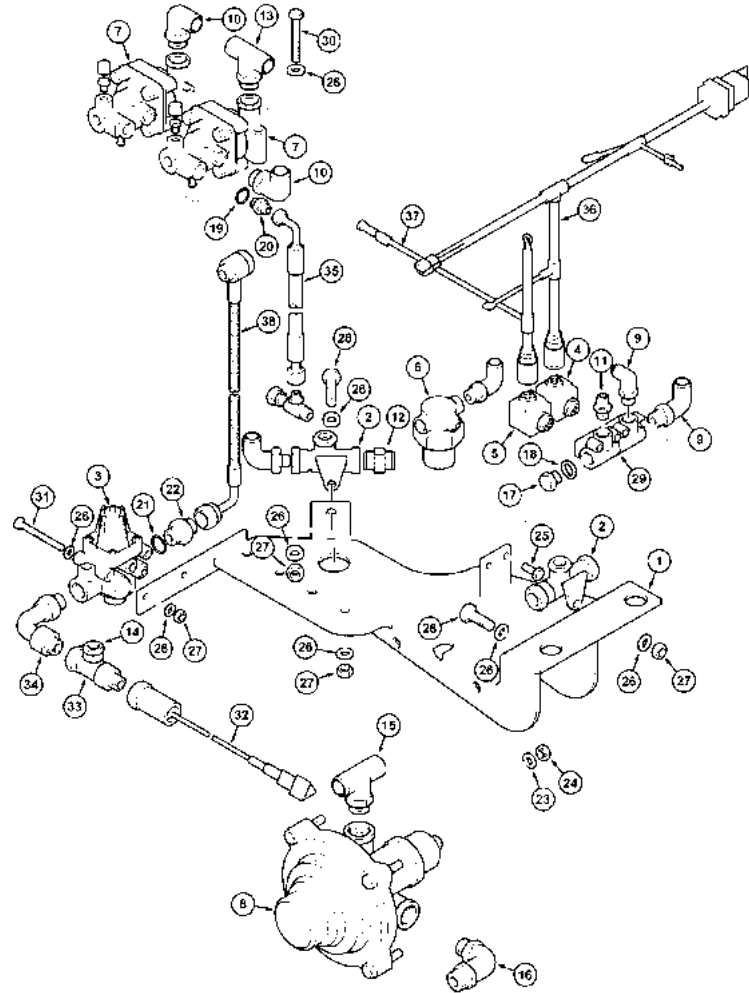
7031



- | | | | | |
|----|-----------|----------------|---|---------------|
| 1 | 712598A1 | | 1 | Bracket |
| 2 | 298162A1 | | 2 | VALVE |
| 3 | 298145A1 | | 1 | DISTRIBUTOR |
| 4 | 356756A1 | | 1 | ELBOW |
| 5 | 709969A1 | | 1 | Valve, Con |
| 6 | 709971A1 | | 1 | Valve, Con |
| 7 | 298156A1 | TA2003-1-8 | 2 | VALVE |
| 7 | 714352A1 | TA2003-2/8-IS | 2 | VALVE |
| 8 | 298155A1 | | 1 | DISTRIBUTOR |
| 9 | 709965A1 | | 6 | Fitting |
| 10 | 303805A1 | | 6 | ELBOW |
| 11 | 708201A1 | | 1 | Fitting |
| 12 | 303808A1 | | 1 | CONNECTION |
| 13 | 303808A1 | | 1 | CONNECTION |
| 14 | 303792A1 | | 1 | Fitting, Pipe |
| 15 | 303798A1 | | 1 | Tee |
| 16 | 303801A1 | | 2 | ELBOW |
| 17 | 709966A1 | | 1 | Plug |
| 18 | 384961A1 | | 1 | RING |
| 19 | 704013A1 | ● 303675A1 (2) | 2 | SEAL |
| 20 | 303674A1 | | 2 | ADAPTOR |
| 21 | 704012A1 | | 1 | Seal |
| 22 | 303791A1 | | 1 | ADAPTOR |
| 23 | 895-11010 | | 2 | WASHER |
| 24 | 829-1410 | | 2 | NUT |
| 25 | 614-6025 | | 2 | BOLT |

XTX Series XTX185, XTX200, XTX215 (2005-2007)

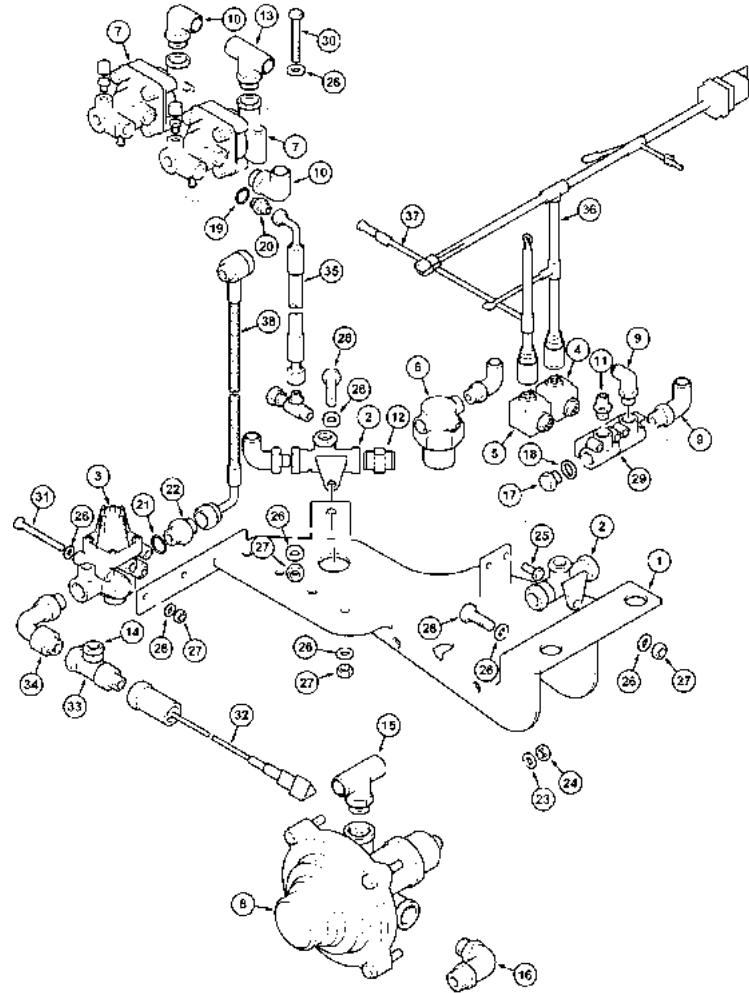
7031



- | | | | | |
|----|-----------|---|----|---------------|
| 26 | 895-11008 | | 16 | WASHER |
| 27 | 829-1408 | | 8 | NUT |
| 28 | 614-8025 | | 2 | SCREW |
| 29 | 709963A1 | | 1 | Kit, Mounting |
| 30 | 814-8070 | | 4 | BOLT |
| 31 | 814-8080 | | 2 | BOLT |
| 32 | 711992A1 | ● | 1 | SENSOR |
| 33 | 708203A1 | | 1 | Tee |
| 34 | 712601A1 | | 1 | Adapter |
| 35 | 712602A1 | | 2 | Hose Assy |
| 36 | 373727A1 | ● | 1 | HARNESS |
| 37 | 709964A1 | | 1 | Harness Assy |
| 38 | 706586A1 | | 1 | Hose |
| 38 | 709994A1 | | 1 | HOSE |

XTX Series XTX185, XTX200, XTX215 (2005-2007)

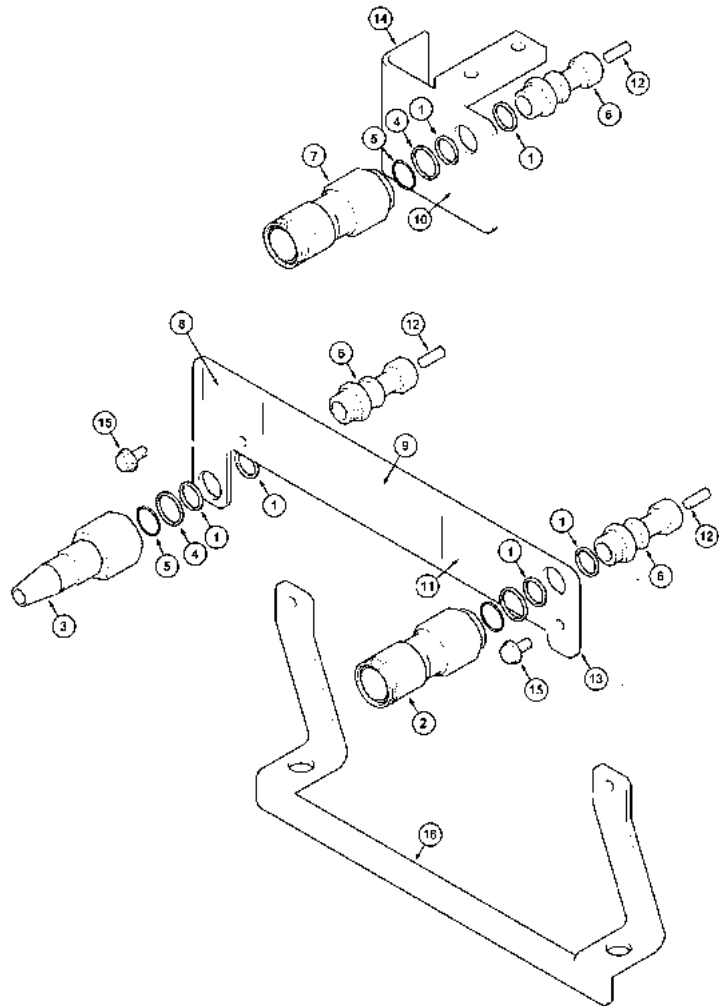
7031



- 9 x 17 x 1,6 mm
- M8 x 25; 8,8
- M10
- M8; 10
- 11 x 21 x 2 mm
- M16
- M10; 10
- M8 x 80
- M6 x 25
- M8 x 70; 8,8
- Outlet
- M22
- M22 x 3/8
- #XTX215
- #XTX185, XTX200

XTX Series XTX185, XTX200, XTX215 (2005-2007)

7033



- | | | | |
|----|----------|---|--------------|
| 1 | 710344A1 | 0 | WASHER |
| 2 | 712511A1 | 1 | COUPLING |
| 3 | 712510A1 | 1 | COUPLING |
| 4 | 303785A1 | 0 | RING |
| 5 | 303786A1 | 0 | RING |
| 6 | 303833A1 | 0 | HITCH |
| 7 | 712542A1 | 1 | COUPLING |
| 8 | 303835A1 | 1 | DECAL |
| 9 | 303920A1 | 1 | DECAL |
| 10 | 303836A1 | 1 | DECAL |
| 11 | 303834A1 | 1 | DECAL |
| 12 | 303924A1 | 0 | INSERT |
| 13 | 712507A1 | 1 | Bracket |
| 14 | 712541A1 | 1 | Bracket Assy |
| 15 | 844-8025 | 2 | BOLT |
| 16 | 712508A1 | 1 | Bracket Assy |

● 2314H004 (2)

M8 x 25; 8,8

M22

#Inshot 2+1

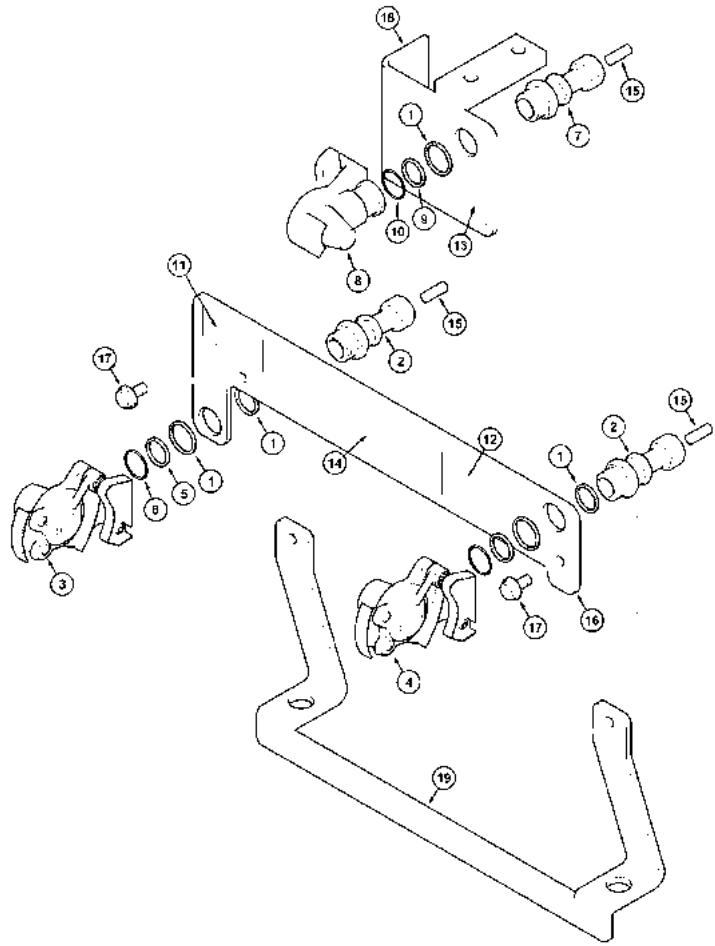
7 - Brakes

7 -
035

PNEUMATIC TRAILER BRAKE - COUPLINGS - Not For UK

XTX Series XTX185, XTX200, XTX215 (2005-2007)

7035



- | | | | |
|----|----------|---|--------------|
| 1 | 710344A1 | 0 | WASHER |
| 2 | 303832A1 | 2 | HITCH |
| 3 | 298161A1 | 1 | ARMREST |
| 4 | 298159A1 | 1 | ARMREST |
| 5 | 303828A1 | 2 | RING |
| 6 | 303829A1 | 2 | RING |
| 7 | 303833A1 | 1 | HITCH |
| 8 | 298160A1 | 1 | ARMREST |
| 9 | 303785A1 | 1 | RING |
| 10 | 303786A1 | 1 | RING |
| 11 | 303835A1 | 1 | DECAL |
| 12 | 303834A1 | 1 | DECAL |
| 13 | 303836A1 | 1 | DECAL |
| 14 | 303920A1 | 1 | DECAL |
| 15 | 303924A1 | 0 | INSERT |
| 16 | 712507A1 | 1 | Bracket |
| 17 | 844-8025 | 2 | BOLT |
| 18 | 712541A1 | 1 | Bracket Assy |
| 19 | 712508A1 | 1 | Bracket Assy |

● 2314H004 (2)

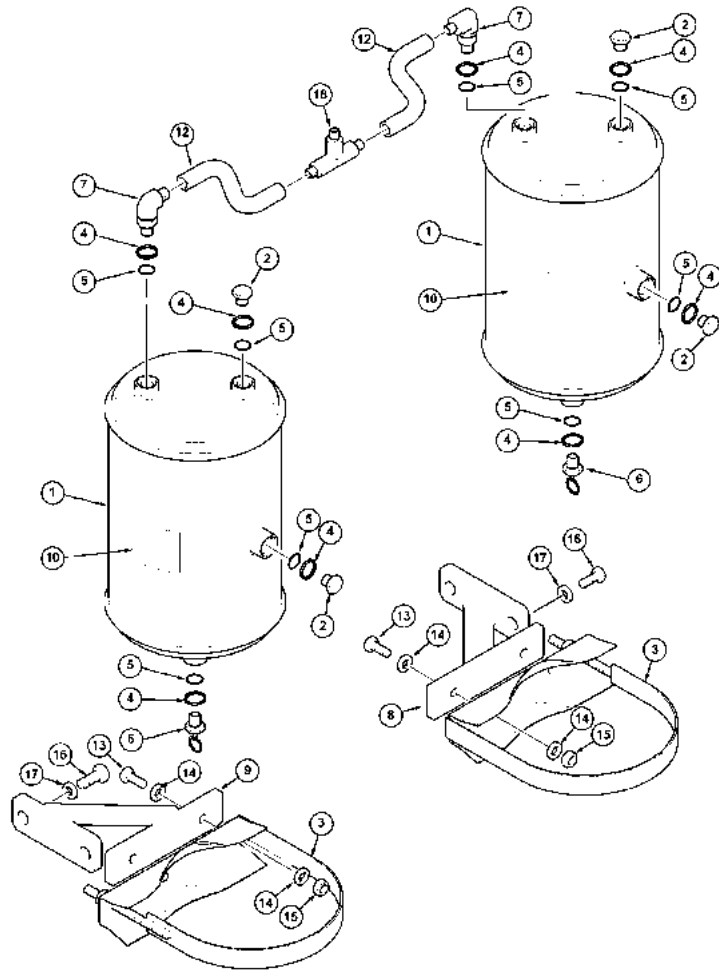
M8 x 25; 8,8

M22

#Inshot 2+1

XTX Series XTX185, XTX200, XTX215 (2005-2007)

7037



- | | | | | |
|----|-----------|----------------|---|--------------|
| 1 | 298146A1 | | 2 | TANK |
| 2 | 314393A1 | | 4 | PLUG |
| 3 | 373746A1 | | 2 | STIRRUP |
| 4 | 303785A1 | | 8 | RING |
| 5 | 303786A1 | | 8 | RING |
| 6 | 298148A1 | | 2 | COCK |
| 7 | 708795A1 | ● 303801A1 (2) | 2 | Elbow, 90 |
| 8 | 712834A1 | | 1 | Support Assy |
| 9 | 712834A1 | | 1 | Support Assy |
| 10 | 303918A1 | | 2 | DECAL |
| 12 | NSS | | 0 | Hose |
| 13 | 614-10035 | | 4 | BOLT |
| 14 | 895-11010 | | 8 | WASHER |
| 15 | 829-1410 | | 4 | NUT |
| 16 | TBA | | 4 | Bolt |
| 17 | TBA | | 4 | Washer |
| 18 | 700178A1 | | 1 | Tee |

Left

Right

11 x 21 x 2 mm

M16

M10; 10

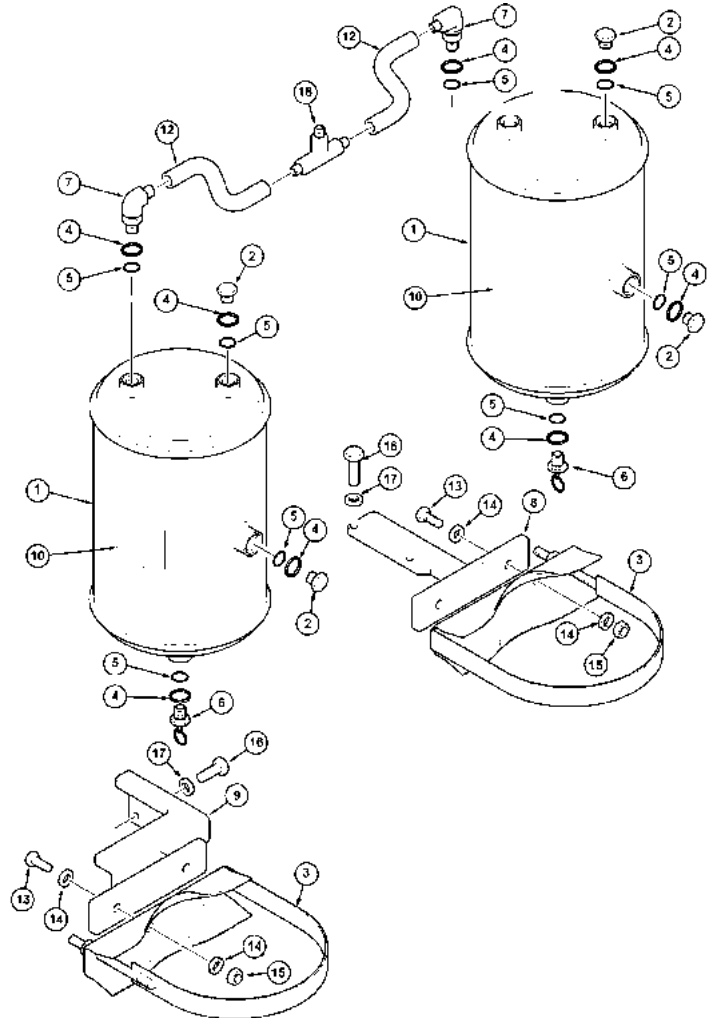
M10 x 35; 8,8

M22

Cut From: 303837A1

XTX Series XTX185, XTX200, XTX215 (2005-2007)

7039



- | | | | | |
|----|-----------|----------------|---|-----------|
| 1 | 298146A1 | | 2 | TANK |
| 2 | 314393A1 | | 4 | PLUG |
| 3 | 373746A1 | | 2 | STIRRUP |
| 4 | 303785A1 | | 8 | RING |
| 5 | 303786A1 | | 8 | RING |
| 6 | 298148A1 | | 2 | COCK |
| 7 | 708795A1 | ● 303801A1 (2) | 2 | Elbow, 90 |
| 8 | 712624A1 | | 1 | Support |
| 9 | 708796A1 | | 1 | Support |
| 10 | 303918A1 | | 2 | DECAL |
| 12 | NSS | | 0 | Hose |
| 13 | 614-10035 | | 4 | BOLT |
| 14 | 895-11010 | | 8 | WASHER |
| 15 | 829-1410 | | 4 | NUT |
| 16 | TBA | | 4 | Bolt |
| 17 | TBA | | 4 | Washer |
| 18 | 700178A1 | | 1 | Tee |

Left

Right

11 x 21 x 2 mm

M16

M10; 10

M10 x 35; 8,8

M22

Cut From: 303837A1

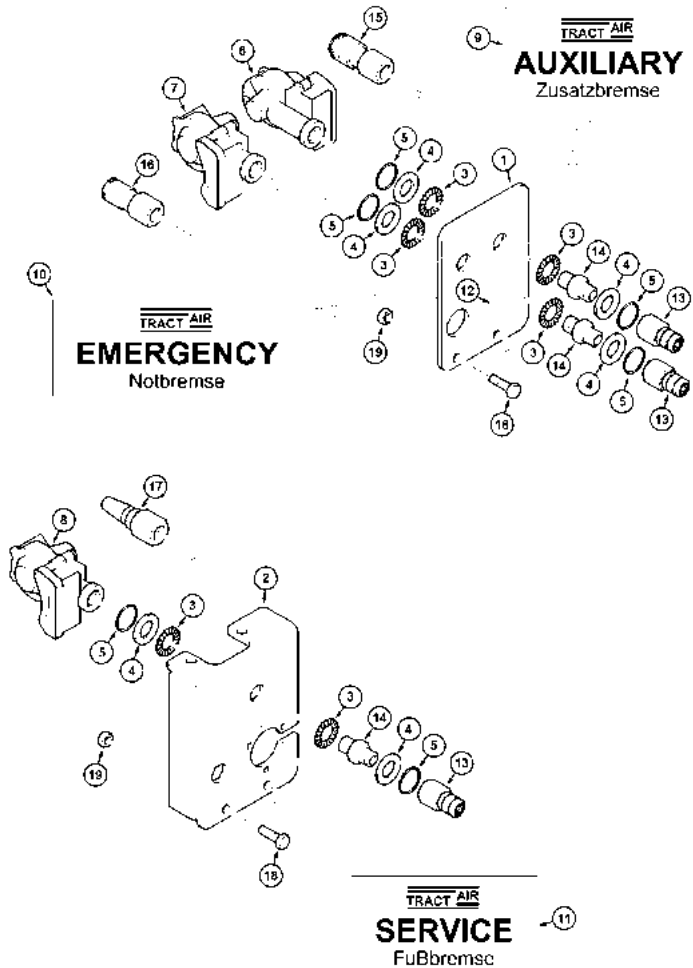
7 - Brakes

7 -
041

PNEUMATIC TRAILER BRAKE - COUPLINGS

XTX Series XTX185, XTX200, XTX215 (2005-2007)

7041



- | | | | |
|----|----------|---|-----------|
| 1 | 708798A1 | 1 | Bracket |
| 2 | 708800A1 | 1 | Bracket |
| 3 | 708797A1 | 6 | Washer |
| 4 | 303785A1 | 6 | RING |
| 5 | 303786A1 | 6 | RING |
| 6 | 298160A1 | 1 | ARMREST |
| 7 | 700183A1 | 1 | COUPLER |
| 8 | 700184A1 | 1 | COUPLER |
| 9 | 303836A1 | 1 | DECAL |
| 10 | 303834A1 | 1 | DECAL |
| 11 | 303835A1 | 1 | DECAL |
| 12 | 303920A1 | 1 | DECAL |
| 13 | 708799A1 | 3 | Fitting |
| 14 | 700181A1 | 3 | Connector |
| 15 | 445772A1 | 1 | Coupling |
| 16 | 445767A1 | 1 | Coupling |

7 - Brakes

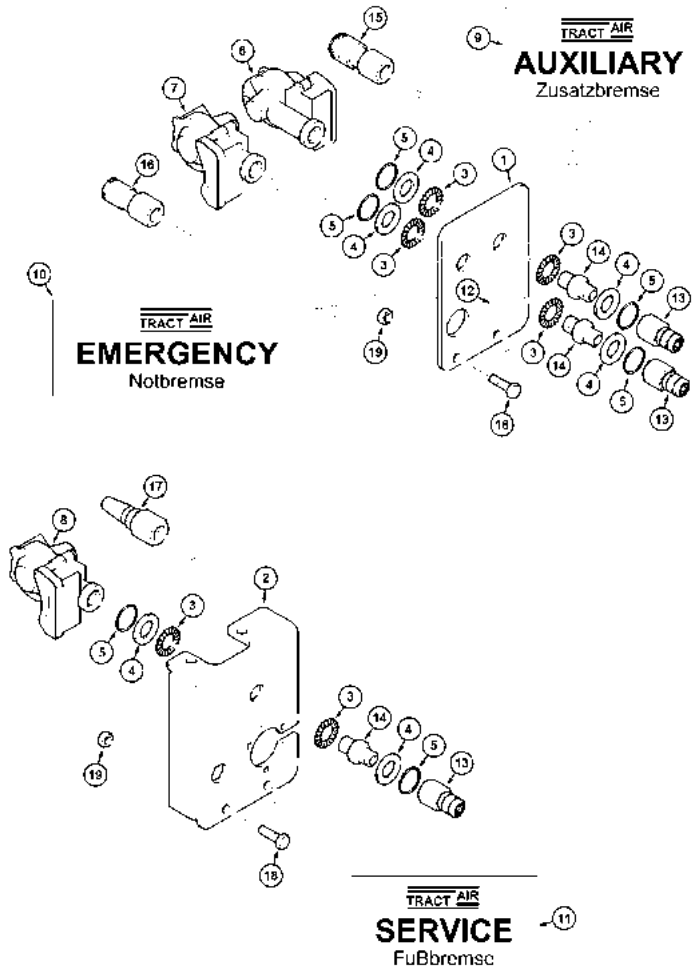
7 -
041

PNEUMATIC TRAILER BRAKE - COUPLINGS

XTX Series XTX185, XTX200, XTX215 (2005-2007)



7041



- | | | | | |
|----|----------|----------------|---|----------|
| 17 | 445769A1 | | 1 | Coupling |
| 18 | 844-8025 | ● 2314H004 (4) | 4 | BOLT |
| 19 | 825-2408 | | 4 | NUT |
- M8; 8
Left
Right
M8 x 25; 8,8
AUXILIARY
Service
For UK
M22
Emergency
Female: CA
Female: C
Male

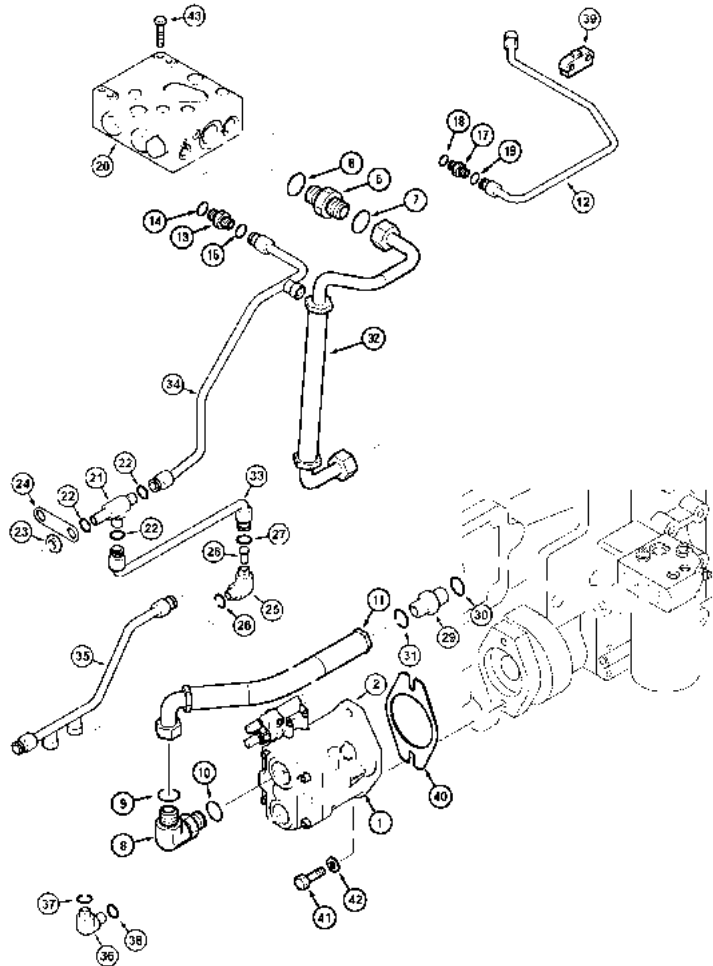
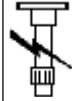
8 - Hydraulic System

8 -
003

HYDRAULIC PUMP, OIL LINES AND FILTER

XTX Series XTX185, XTX200, XTX215 (2005-2007)

8003



- | | | | |
|----|-----------|---|------------|
| 1 | 394269A2 | 1 | PUMP |
| 2 | 86983917 | 0 | KIT |
| 3 | 86983915 | 0 | Package, S |
| 5 | 700-105 | 1 | COMPLIANCE |
| 6 | 637-64296 | 1 | RING |
| 7 | 238-6021 | 1 | INSTANT GA |
| 8 | 700-309 | 2 | ANGLE |
| 9 | 238-6025 | 1 | INSTANT GA |
| 10 | 637-64296 | 1 | RING |
| 11 | 711726A1 | 1 | Hose Assy |
| 12 | 711661A2 | 1 | PIPE |
| 13 | 700-101 | 1 | COMPLIANCE |
| 14 | 637-63113 | 1 | RING |
| 15 | 238-6012 | 1 | INSTANT GA |
| 17 | 700-157 | 1 | COMPLIANCE |
| 18 | 637-63133 | 1 | GASKET |
| 19 | 238-6012 | 1 | INSTANT GA |

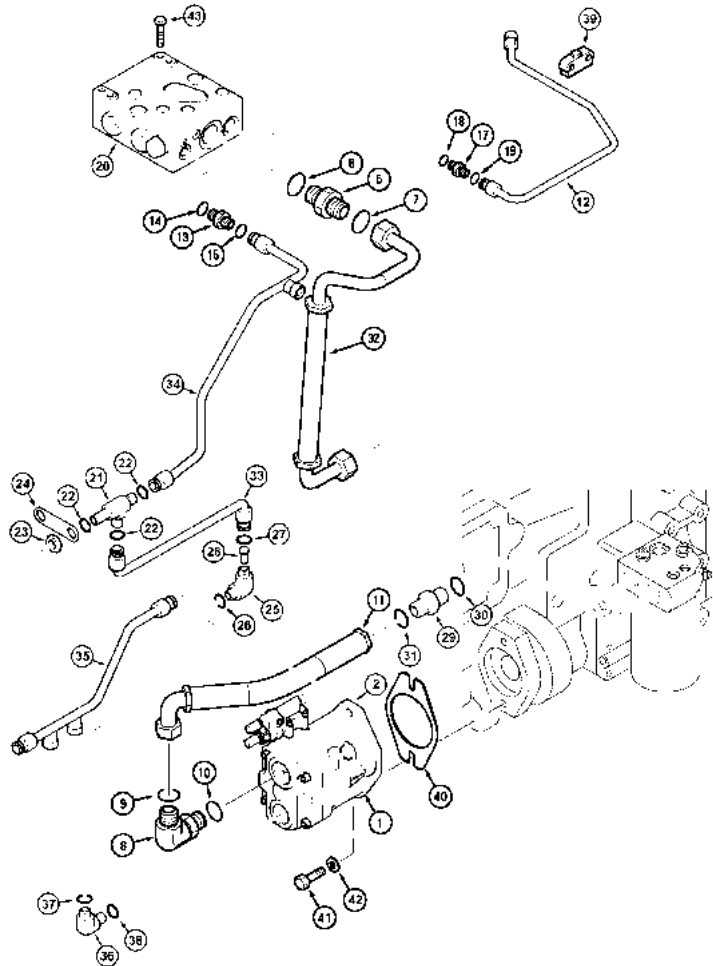
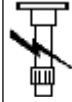
8 - Hydraulic System

8 -
003

HYDRAULIC PUMP, OIL LINES AND FILTER

XTX Series XTX185, XTX200, XTX215 (2005-2007)

8003



- 20 710386A1
- 21 701-449
- 22 238-6012
- 23 701-909
- 24 320213A1
- 25 175021A1
- 26 637-63093
- 27 238-6012
- 28 133519C1

- 1 VALVE
- 1 TEEPIECE
- 3 INSTANT GA
- 1 NUT
- 1 BRACE
- 1 CHAFFER
- 1 GASKET
- 1 INSTANT GA
- 1 Screen Assy

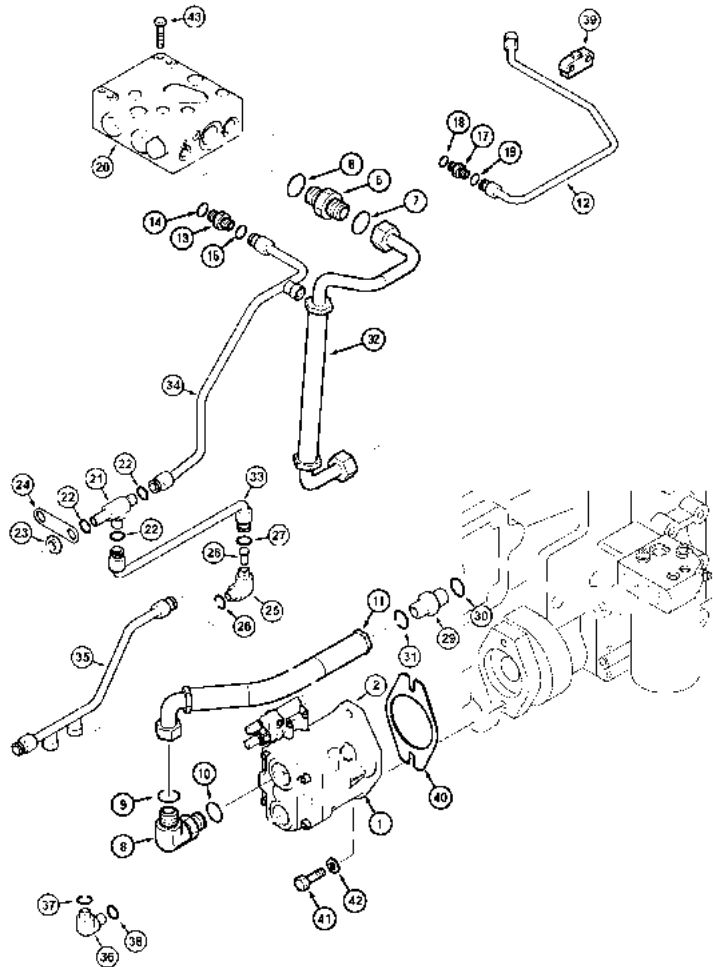
8 - Hydraulic System

8 -
003

HYDRAULIC PUMP, OIL LINES AND FILTER

XTX Series XTX185, XTX200, XTX215 (2005-2007)

8003



- 9,3 ID x 2,2
- Includes: 22
- Includes: 6,7
- 13,3 ID x 2,2
- 3/8 ID x 1/16
- 15/16 ID x 1/16
- 11,3 ID x 2,2 mm
- Includes: 14,15
- Includes: 18,19
- Supply
- Includes: 9,10
- Compensator
- 29,6 ID x 2,9 mm
- 1-3/16 ID x 1/16
- 44cc
- See Page(s): 8-21,23
- Includes: 26,27,28
- A NOT ILLUSTRATED
- B INLET
- B CONTINUED

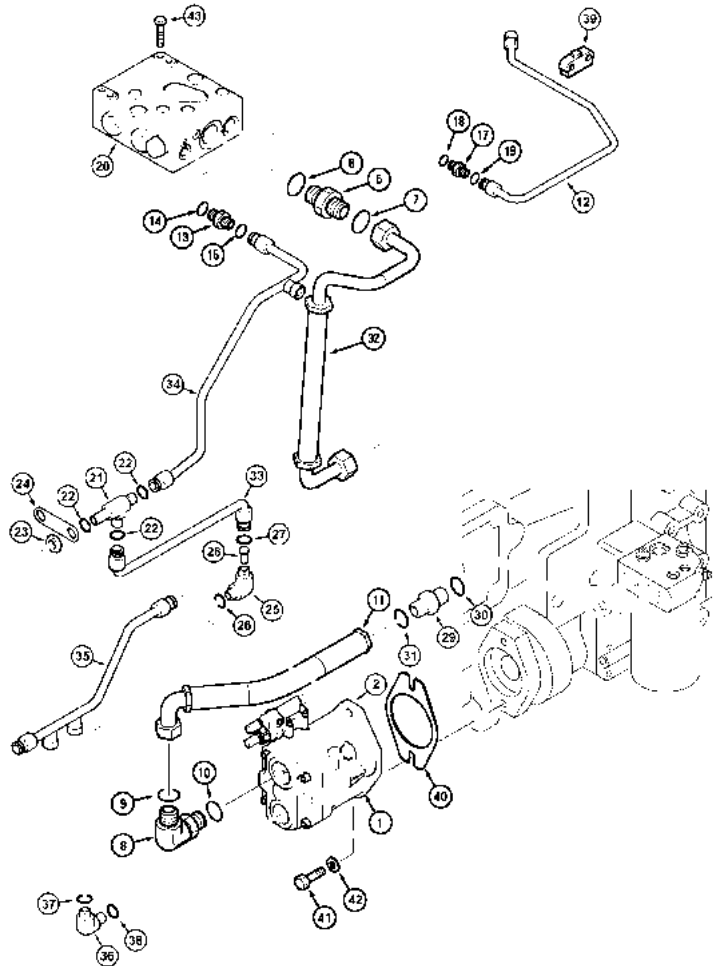
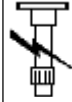
8 - Hydraulic System

8 -
005

HYDRAULIC PUMP, OIL LINES AND FILTER

XTX Series XTX185, XTX200, XTX215 (2005-2007)

8005



- | | | | | |
|----|-----------|----------------|---|------------|
| 29 | 700-133 | | 1 | CONNECTION |
| 30 | 637-64386 | | 1 | O-Ring |
| 31 | 238-6025 | | 1 | INSTANT GA |
| 32 | 709561A2 | ● 709561A4 (1) | 1 | TUBE ASSY |
| 33 | 710787A1 | | 1 | TUBE ASSY |
| 34 | 710786A1 | ● 710786A2 (1) | 1 | TUBE ASSY |
| 35 | 710788A1 | | 1 | TUBE ASSY |
| 36 | 700-308 | | 1 | ELBOW |
| 37 | 637-64296 | | 1 | RING |
| 38 | 238-6021 | | 1 | INSTANT GA |
| 39 | 258153A1 | | 1 | CLAMP |
| 40 | 144169C2 | | 1 | GASKET |
| 41 | 615-12035 | | 2 | BOLT |
| 42 | 896-16012 | | 2 | WASHER |
| 43 | 828-8080 | | 3 | Bolt |

15/16 ID x 1/16

M12 x 35; 8,8

Supply

Includes: 37,38

Includes: 30,31

13,5 x 28 x 4 mm

29,6 ID x 2,9 mm

1-3/16 ID x 1/16

M8 x 80; 10.9

2,9 x 38,6 mm

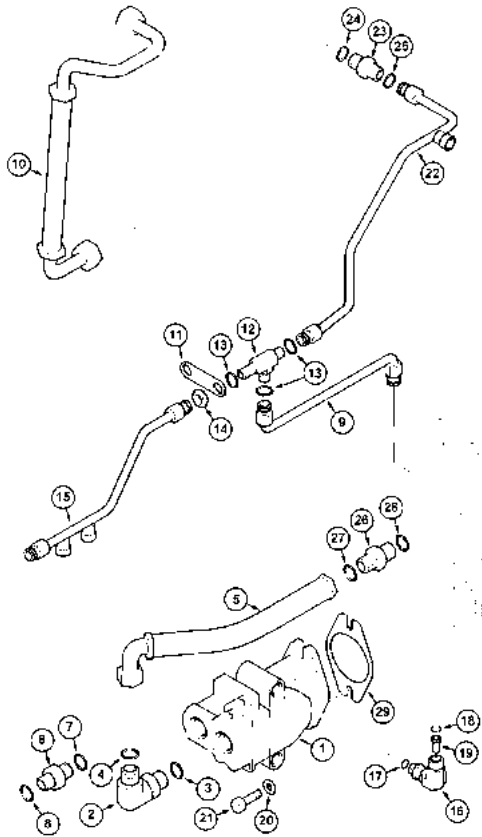
8 - Hydraulic System

8 -
007

HYDRAULIC PUMP, OIL LINES AND FILTER

XTX Series XTX185, XTX200, XTX215 (2005-2007)

8007



- | | | | |
|----|-----------|---|------------|
| 1 | 234927A1 | 1 | PUMP |
| 2 | 700-309 | 1 | ANGLE |
| 3 | 637-64296 | 1 | RING |
| 4 | 238-6025 | 1 | INSTANT GA |
| 5 | 709939A1 | 1 | HOSE |
| 6 | 700-105 | 1 | COMPLIANCE |
| 7 | 637-64296 | 1 | RING |
| 8 | 238-6021 | 1 | INSTANT GA |
| 9 | 710789A1 | 1 | PIPE |
| 10 | 709562A2 | 1 | Hose Assy |
| 11 | 320213A1 | 1 | BRACE |
| 12 | 701-449 | 1 | TEEPIECE |
| 13 | 238-6012 | 3 | INSTANT GA |
| 14 | 701-909 | 1 | NUT |
| 15 | 710788A1 | 1 | TUBE ASSY |
| 16 | 175021A1 | 1 | CHAFFER |
| 17 | 637-63093 | 1 | GASKET |
| 18 | 238-6012 | 1 | INSTANT GA |

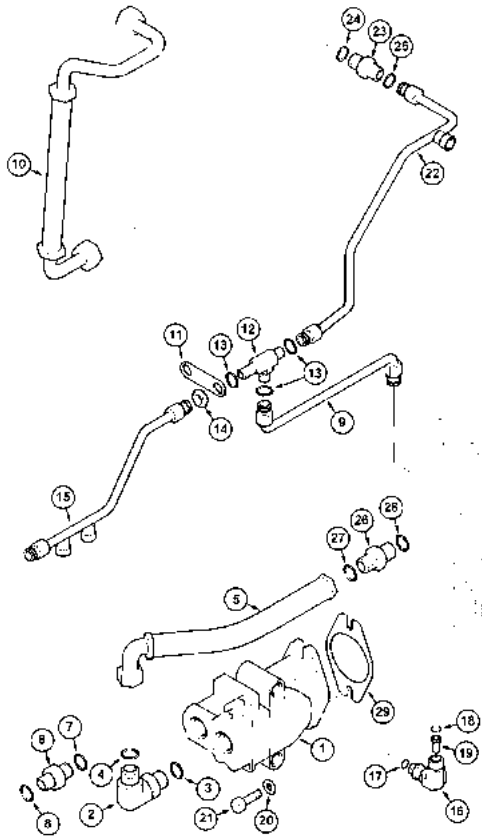
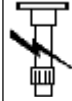
8 - Hydraulic System

8 -
007

HYDRAULIC PUMP, OIL LINES AND FILTER

XTX Series XTX185, XTX200, XTX215 (2005-2007)

8007



- | | | | | |
|----|-----------|----------------|---|-------------|
| 19 | 133519C1 | | 1 | Screen Assy |
| 20 | 896-16012 | | 2 | WASHER |
| 21 | 615-12035 | | 2 | BOLT |
| 22 | 710786A1 | ● 710786A2 (1) | 1 | TUBE ASSY |
| 23 | 700-101 | | 1 | COMPLIANCE |
| 24 | 637-63113 | | 1 | RING |
| 25 | 238-6012 | | 1 | INSTANT GA |
| 26 | 700-133 | | 1 | CONNECTION |
| 27 | 238-6025 | | 1 | INSTANT GA |
| 28 | 637-64386 | | 1 | O-Ring |
| 29 | 144169C2 | | 1 | GASKET |

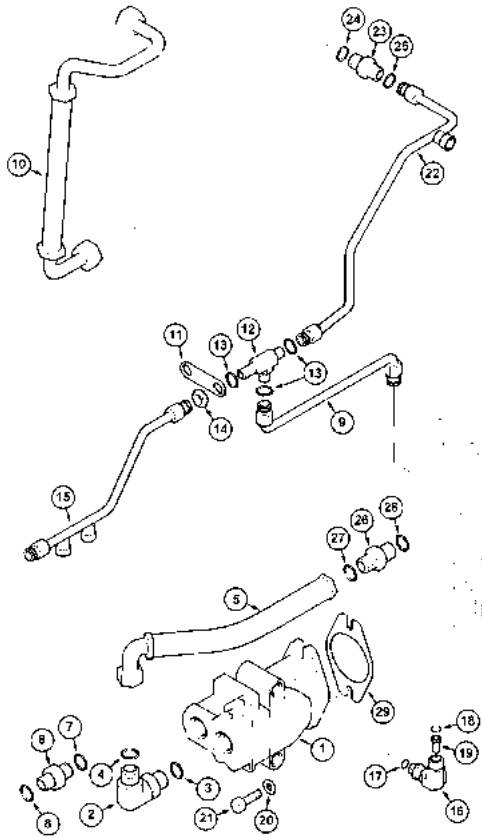
8 - Hydraulic System

8 -
007

HYDRAULIC PUMP, OIL LINES AND FILTER

XTX Series XTX185, XTX200, XTX215 (2005-2007)

8007



AUXILIARY

Includes: 13

9,3 ID x 2,2

3/8 ID x 1/16

Includes: 3,4

15/16 ID x 1/16

11,3 ID x 2,2 mm

M12 x 35; 8,8

Includes: 7,8

Includes: 24,25

Supply

Includes: 27,28

13,5 x 28 x 4 mm

29,6 ID x 2,9 mm

1-3/16 ID x 1/16

HIGH FLOW

2,9 x 38,6 mm

485 mm

Includes: 17,18,19

INLET

B

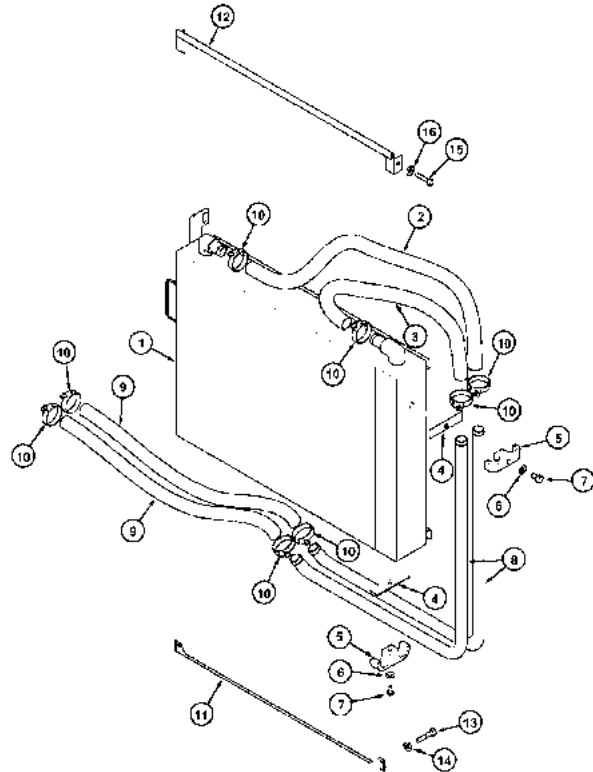
8 - Hydraulic System

8 -
009

OIL COOLER

XTX Series XTX185, XTX200, XTX215 (2005-2007)

8009



- | | | | | | |
|----|-----------|---|--------------|---|-------------|
| 1 | 701679A3 | ● | 701679A5 (1) | 1 | Cooler, Oil |
| 2 | 446351A3 | | | 1 | HOSE |
| 3 | 446351A3 | | | 1 | HOSE |
| 4 | 447210A1 | | | 2 | PAD |
| 5 | 3230039R1 | | | 2 | CLAMP |
| 6 | 895-11006 | ● | 390971X1 (2) | 2 | WASHER |
| 7 | 814-6030 | | | 2 | BOLT |
| 8 | 446350A2 | | | 2 | Pipe |
| 9 | 446362A2 | | | 2 | HOSE |
| 10 | 214-1410 | | | 8 | CLAMP |
| 11 | 701329A2 | | | 1 | HOLDING FI |
| 12 | 701335A1 | | | 1 | Bracket |
| 13 | 844-8020 | ● | 2314H003 (2) | 2 | BOLT |
| 14 | 895-11008 | | | 2 | WASHER |
| 15 | 844-6012 | | | 2 | BOLT |
| 16 | 895-11006 | ● | 390971X1 (2) | 2 | WASHER |

6,6 x 12 x 1,6 mm

M6 x 12; 8,8

9 x 17 x 1,6 mm

M8 x 20; 8,8

9/16 - 1-1/16

M6 x 30

650 mm

54 x 20 x 3 mm

2525 mm

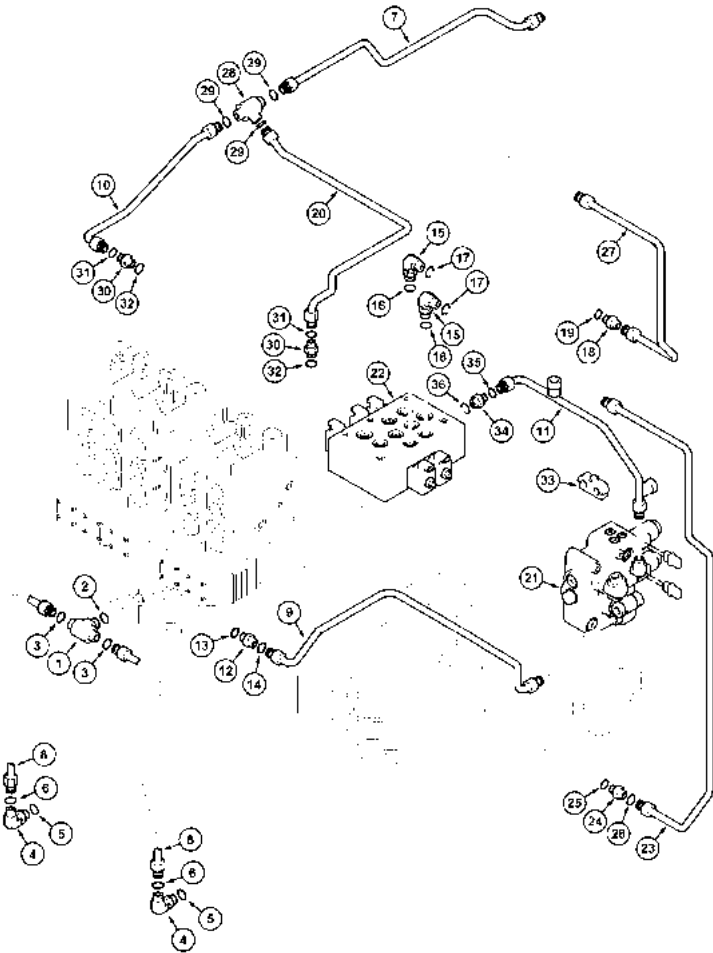
8 - Hydraulic System

8 -
011

HYDRAULIC CIRCUIT

XTX Series XTX185, XTX200, XTX215 (2005-2007)

8011



- | | | | | |
|----|-----------|----------------|---|------------|
| 1 | 700-403 | | 1 | TEEPIECE |
| 2 | 637-63193 | | 1 | INSTANT GA |
| 3 | 238-6014 | | 2 | INSTANT GA |
| 4 | 700-305 | | 2 | COMPLIANCE |
| 5 | 637-63153 | | 1 | RING |
| 6 | 238-6014 | | 1 | INSTANT GA |
| 7 | 709579A4 | | 1 | TUBE ASSY |
| | | | | |
| 8 | 299461A1 | | 2 | HYDR HOSE |
| 9 | 709934A1 | ● 709934A3 (1) | 1 | TUBE ASSY |
| | | | | |
| 10 | 709872A2 | ● 709872A3 (1) | 1 | TUBE ASSY |
| 11 | 709581A1 | | 1 | TUBE ASSY |
| 12 | 700-103 | | 1 | COMPLIANCE |
| 13 | 637-63193 | | 1 | INSTANT GA |
| 14 | 238-6016 | | 1 | INSTANT GA |
| 15 | 700-345 | | 2 | ELBOW |

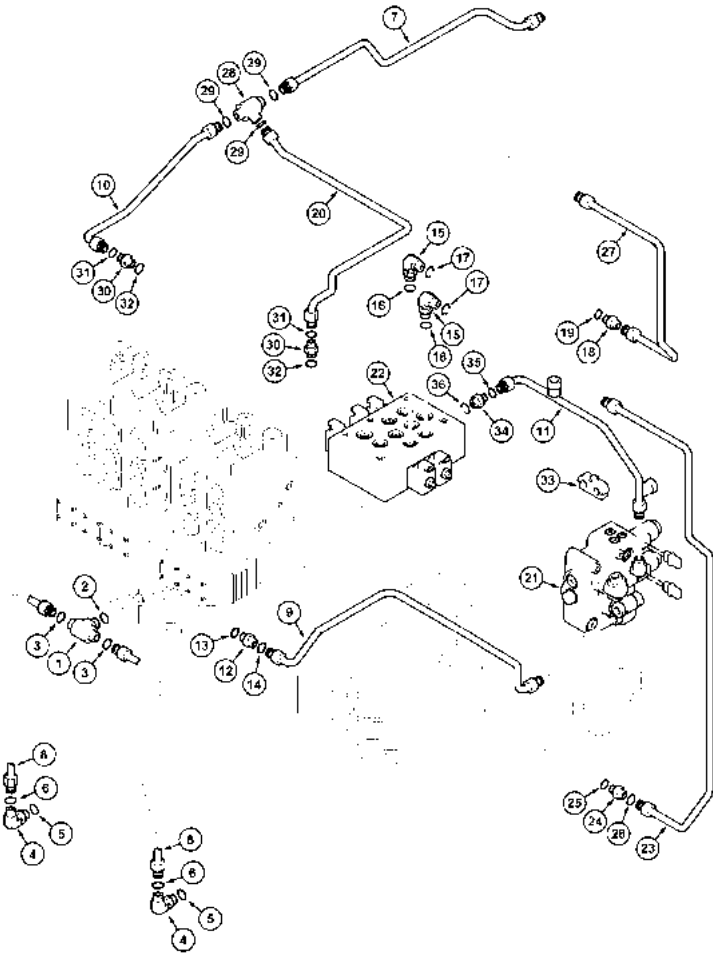
8 - Hydraulic System

8 -
011

HYDRAULIC CIRCUIT

XTX Series XTX185, XTX200, XTX215 (2005-2007)

8011



- 16 637-63193
- 17 238-6016
- 18 701-120
- 19 238-6012
- 20 709873A2
- 21 284230A1
- 22 709030A2
- 23 709569A1

- 1 INSTANT GA
- 1 INSTANT GA
- 1 UNION
- 1 INSTANT GA
- 1 TUBE ASSY
- 1 DISTRIBUTOR
- 1 VALVE
- 1 TUBE ASSY

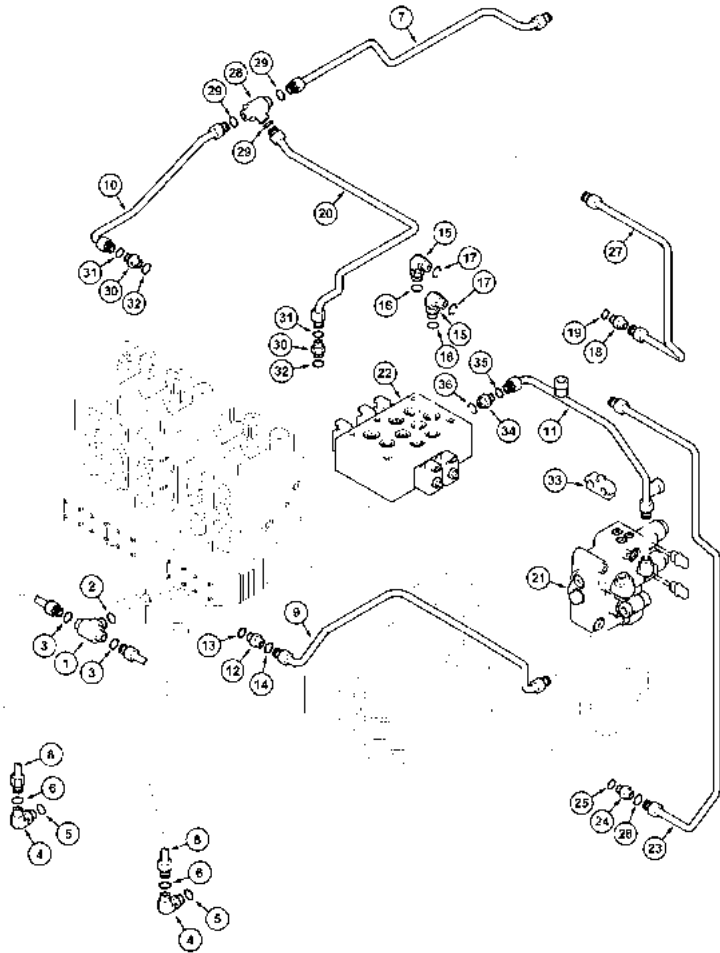
8 - Hydraulic System

8 -
011

HYDRAULIC CIRCUIT

XTX Series XTX185, XTX200, XTX215 (2005-2007)

8011



4WD

Includes: 2,3

Cylinder

Includes: 19

Brake

5/8 ID x 1/16

3/8 ID x 1/16

1/2 ID x 1/16

See Page(s): 6-57

RIGHT BRAKE

LEFT BRAKE

Pilot

Includes: 5,6

Includes: 13,14

Supply

Includes: 16,17

19,3 ID x 2,2 mm

15,3 ID x 2,2 mm

HITCH CONTROL

SHUTTLE

CONTINUED

B

B

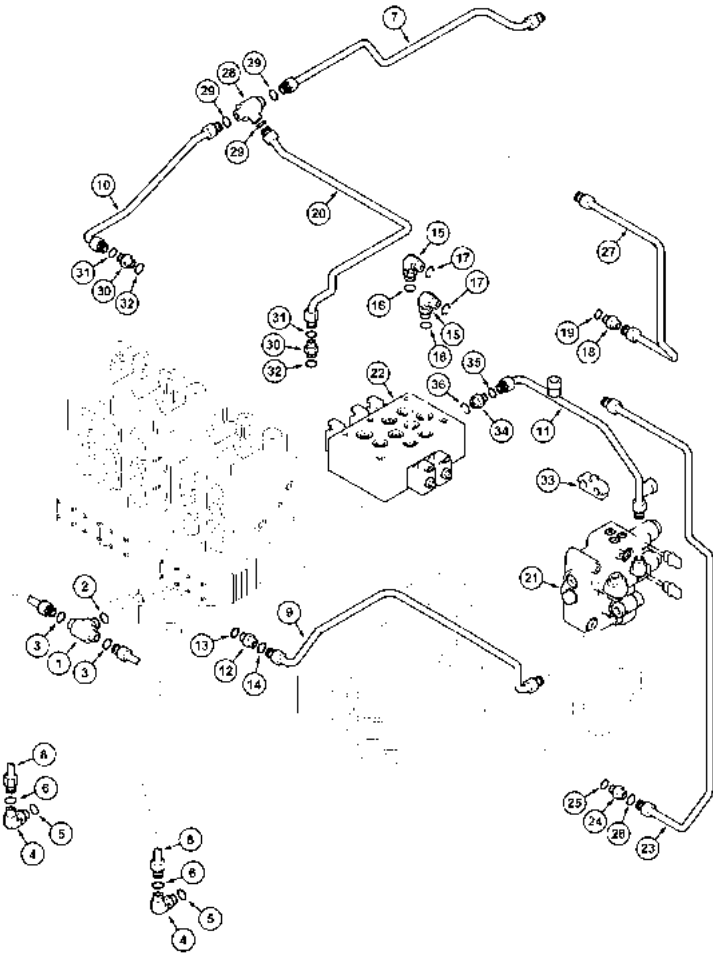
8 - Hydraulic System

8 -
013

HYDRAULIC CIRCUIT

XTX Series XTX185, XTX200, XTX215 (2005-2007)

8013



- 24 700-101
- 25 637-63113
- 26 238-6012
- 27 709570A1
- 28 701-415
- 29 238-6016
- 30 700-102
- 31 238-6014
- 32 637-63153
- 33 256553A1
- 34 700-106
- 35 238-6012
- 36 637-63153

- 1 COMPLIANCE
- 1 RING
- 1 INSTANT GA
- 1 TUBE ASSY
- 1 TEEPIECE
- 3 INSTANT GA
- 2 COMPLIANCE
- 1 INSTANT GA
- 1 RING
- 1 CLAMP
- 1 UNION
- 1 INSTANT GA
- 1 RING

Includes: 25,26

5/8 ID x 1/16

Diff Lock

3/8 ID x 1/16

Includes: 29

11,3 ID x 2,2 mm

1/2 ID x 1/16

Includes: 31,32

15,3 ID x 2,2 mm

Includes: 35,36

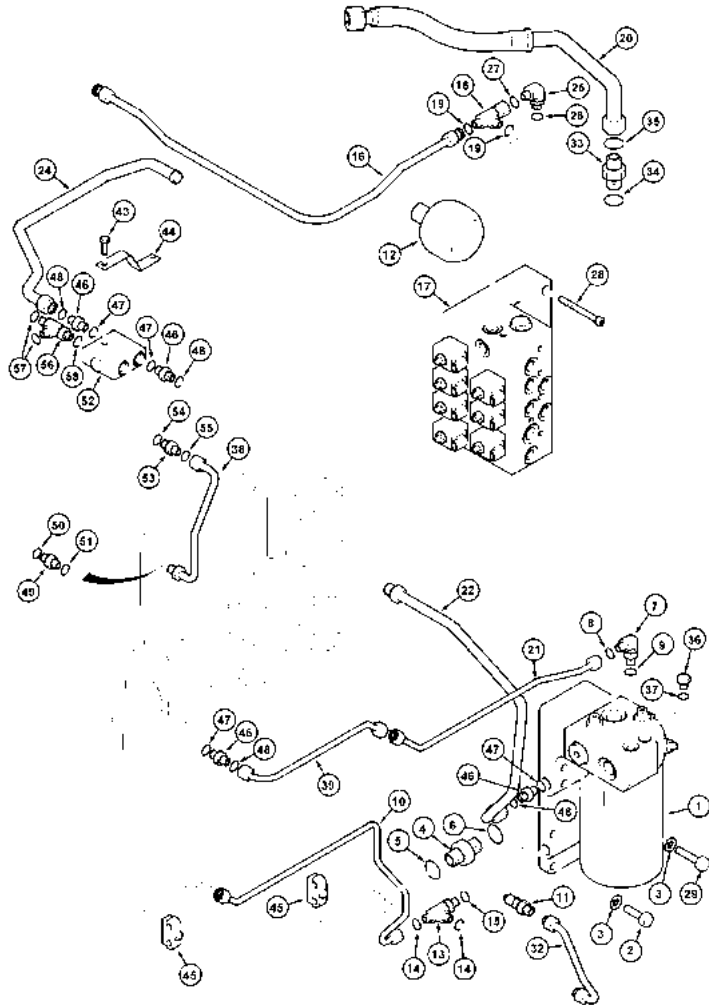
8 - Hydraulic System

8 -
015

HYDRAULIC PUMP, OIL LINES AND FILTER

XTX Series XTX185, XTX200, XTX215 (2005-2007)

8015



- | | | | | |
|----|-----------|----------------|---|--------------|
| 1 | 709173A1 | | 1 | FILTER |
| 2 | 614-10040 | | 4 | BOLT |
| 3 | 892-11010 | | 8 | Washer, Lock |
| 4 | 700-133 | | 1 | CONNECTION |
| 5 | 238-6025 | | 1 | INSTANT GA |
| 6 | 637-64386 | | 1 | O-Ring |
| 7 | 700-306 | | 1 | ELBOW |
| 8 | 238-6016 | | 1 | INSTANT GA |
| 9 | 637-63193 | | 1 | INSTANT GA |
| 10 | 314869A1 | | 1 | TUBE ASSY |
| 11 | 280263A1 | | 1 | UNION |
| 12 | 368341A1 | | 1 | COUPLER |
| 13 | 700-412 | | 1 | TEEPIECE |
| 14 | 238-6014 | | 2 | INSTANT GA |
| 15 | 637-63153 | | 1 | RING |
| 16 | 709563A2 | ● 709563A4 (1) | 1 | TUBE ASSY |
| 17 | 710454A1 | ● 715956A1 (1) | 1 | VALVE |

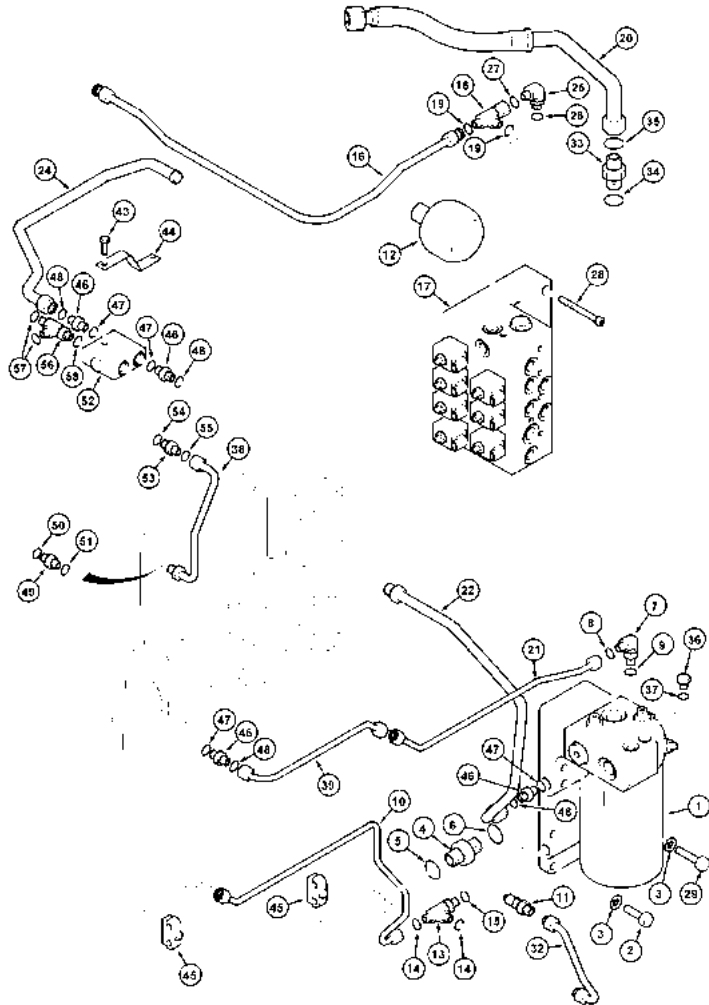
8 - Hydraulic System

8 -
015

HYDRAULIC PUMP, OIL LINES AND FILTER

XTX Series XTX185, XTX200, XTX215 (2005-2007)

8015



- | | | | |
|----|-----------|---|------------|
| 18 | 700-416 | 1 | Tee |
| 19 | TBA | 2 | O-Ring |
| 20 | 709568A3 | 1 | Hose Assy |
| 21 | 710389A1 | 1 | TUBE ASSY |
| 22 | 709575A2 | 1 | TUBE ASSY |
| 24 | 705646A1 | 1 | Tube Assy |
| 25 | 1980065C3 | 1 | Screen |
| 25 | 336963A1 | 1 | ELBOW |
| 26 | 637-63153 | 1 | RING |
| 27 | 238-6014 | 1 | INSTANT GA |
| 28 | 863-10050 | 4 | BOLT |

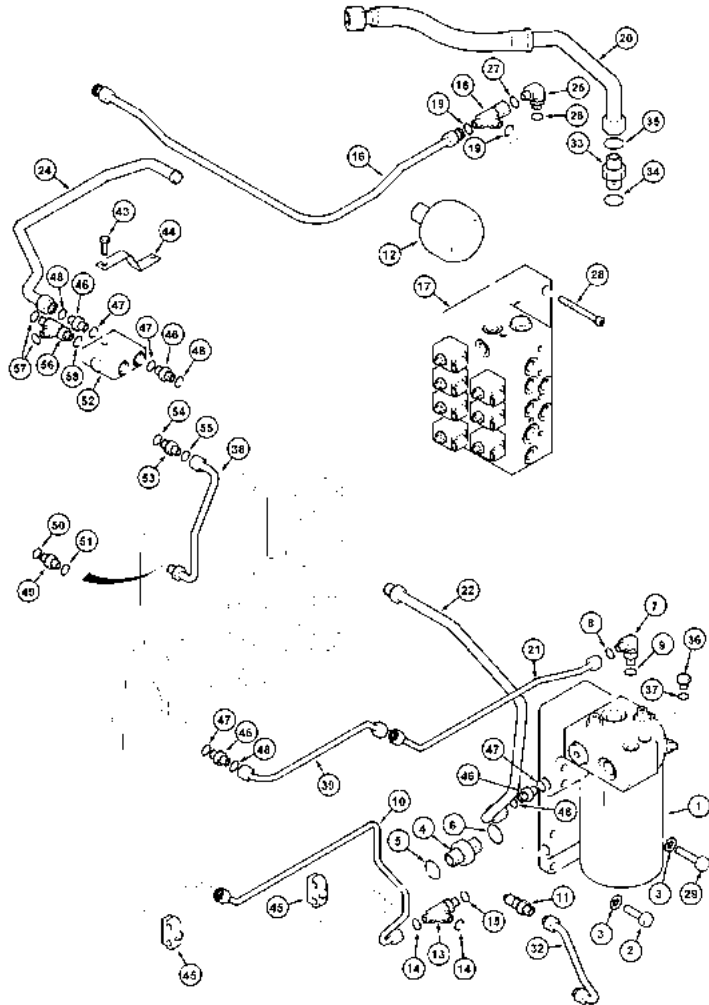
8 - Hydraulic System

8 -
015

HYDRAULIC PUMP, OIL LINES AND FILTER

XTX Series XTX185, XTX200, XTX215 (2005-2007)

8015



- Upper
- M10
- Creep Speed
- AUXILIARY
- Includes: 19
- 5/8 ID x 1/16
- Includes: 14,15
- 1/2 ID x 1/16
- Return
- See Page(s): 8-19
- Includes: 8,9
- Includes: 5,6
- See Page(s): 8-25
- 19,3 ID x 2,2 mm
- M10 x 40
- 15,3 ID x 2,2 mm
- OIL COOLER
- With Screen
- 1-3/16 ID x 1/16
- 2,9 x 38,6 mm
- Includes: 1980065C3,26,27

- A LUBRICATION
- B SHUTTLE
- B CONTINUED
- D FRONT
- Y REAR

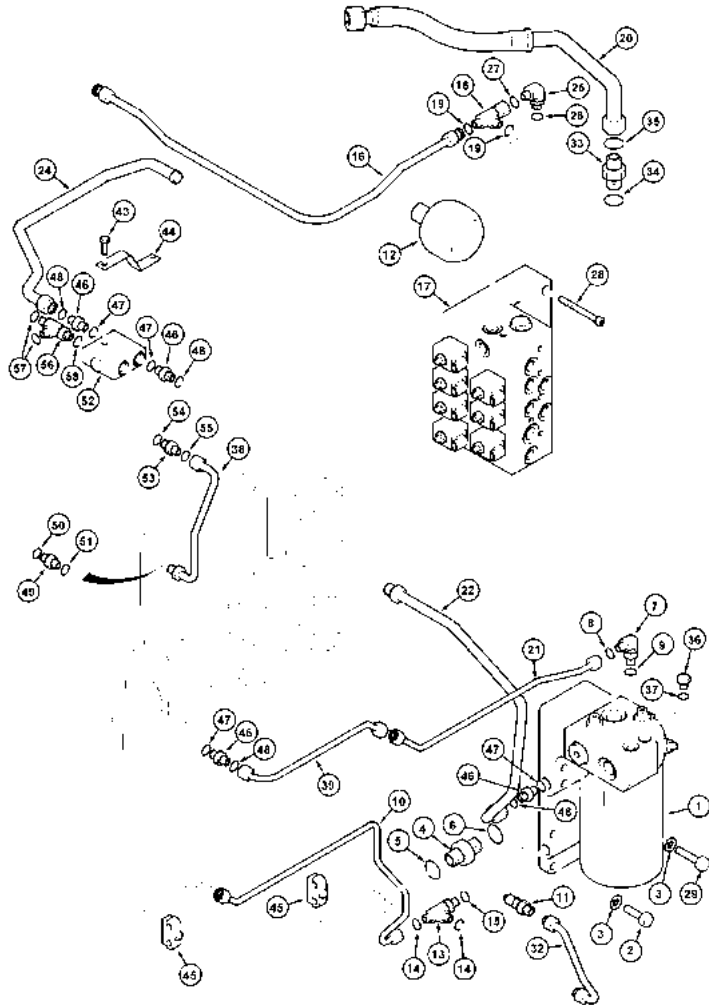
8 - Hydraulic System

8 -
017

HYDRAULIC PUMP, OIL LINES AND FILTER

XTX Series XTX185, XTX200, XTX215 (2005-2007)

8017



- | | | | |
|----|-----------|---|------------|
| 29 | 814-10070 | 5 | SCREW |
| 32 | 252767A1 | 1 | PIPE |
| 33 | 700-105 | 1 | COMPLIANCE |
| 34 | 637-64296 | 1 | RING |
| 35 | 238-6021 | 1 | INSTANT GA |
| 36 | 221576A1 | 1 | Plug |
| 37 | 637-63113 | 1 | RING |
| 38 | 325037A1 | 1 | TUBE ASSY |
| 39 | 314872A1 | 1 | TUBE ASSY |
| 43 | 814-10060 | 1 | BOLT |
| 44 | 298799A2 | 1 | BRACE |
| 45 | 254699A2 | 2 | BRIDLE |
| 46 | 700-103 | 4 | COMPLIANCE |

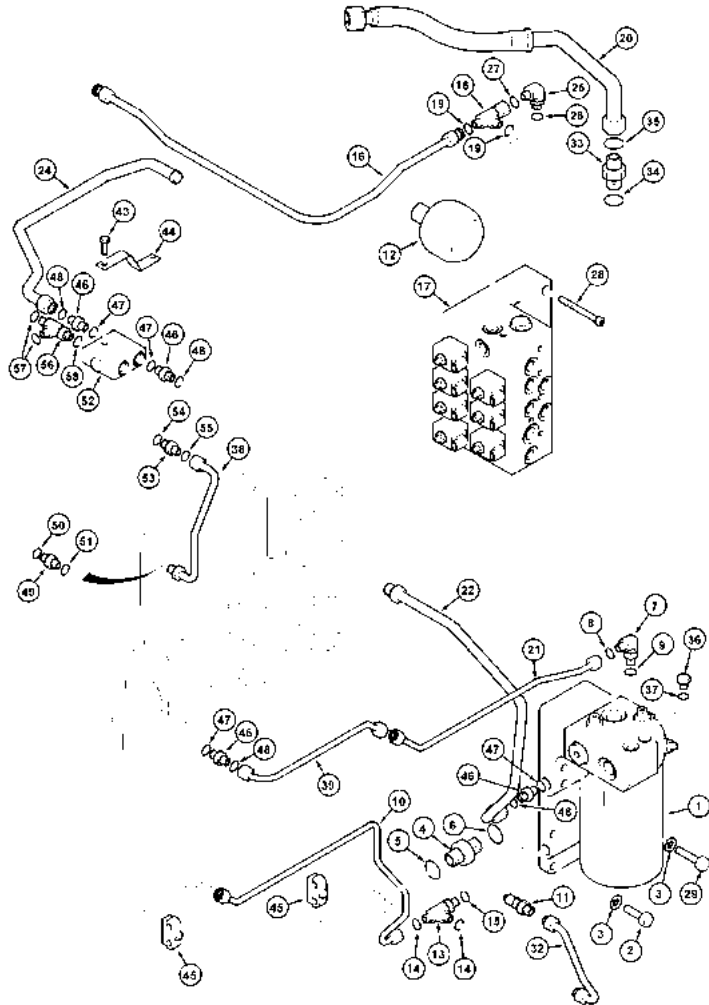
8 - Hydraulic System

8 -
017

HYDRAULIC PUMP, OIL LINES AND FILTER

XTX Series XTX185, XTX200, XTX215 (2005-2007)

8017



- 47 637-63153
- 48 238-6014
- 49 700-153
- 50 637-63113
- 51 238-6011
- 52 297462A2
- 53 700-162
- 54 637-63193
- 55 238-6014
- 56 700-420
- 57 238-6016
- 58 637-63193

- 1 RING
- 1 INSTANT GA
- 1 CONNECTION
- 1 RING
- 1 INSTANT GA
- 1 VALVE
- 1 STUD LOCK
- 1 INSTANT GA
- 1 INSTANT GA
- 1 TEEPIECE
- 1 INSTANT GA
- 1 INSTANT GA

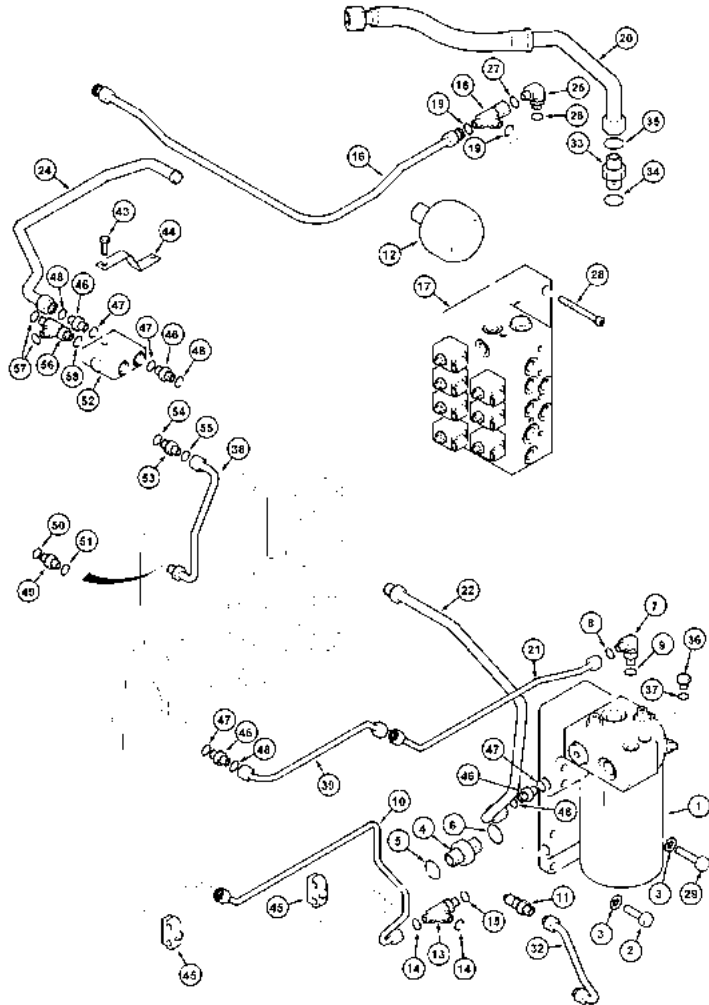
8 - Hydraulic System

8 -
017

HYDRAULIC PUMP, OIL LINES AND FILTER

XTX Series XTX185, XTX200, XTX215 (2005-2007)

8017



LOWER

Creep Speed

M14

5/8 ID x 1/16

Includes: 47,48

15/16 ID x 1/16

11,3 ID x 2,2 mm

1/2 ID x 1/16

Includes: 54,55

5/16 ID x 1/16

M10 x 60; 8,8

Includes: 34

19,3 ID x 2,2 mm

15,3 ID x 2,2 mm

Tube

29,6 ID x 2,9 mm

Includes: 37

Includes: 57,58

M10 x 70

Includes: 50,51

LUBRICATION

SHUTTLE

REAR

A
B
Y

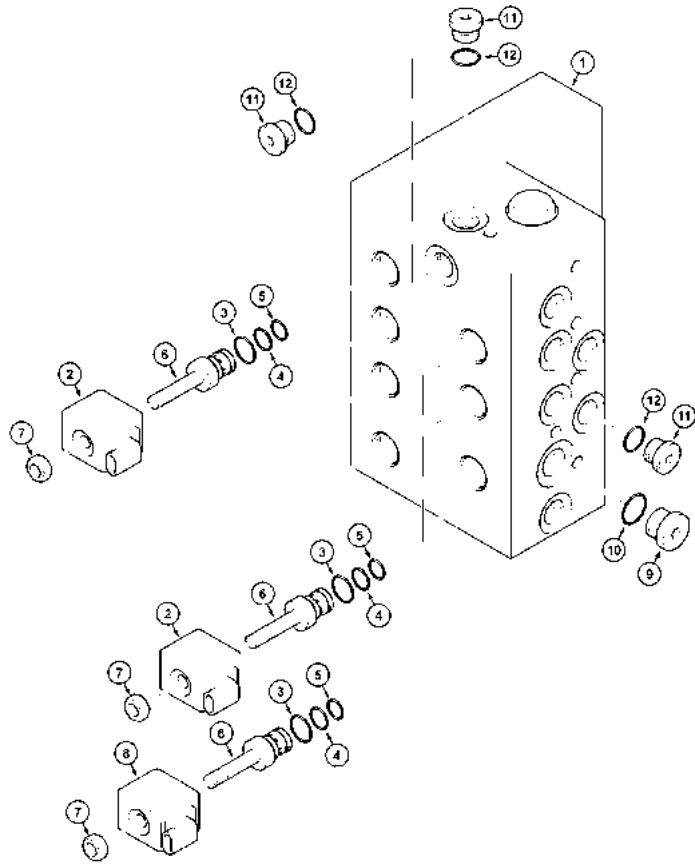
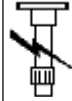
8 - Hydraulic System

8 -
019

POWERSHIFT VALVE ASSY.

XTX Series XTX185, XTX200, XTX215 (2005-2007)

8019



- | | | | | | |
|-----|----------|---|--------------|---|----------|
| 1 | 710454A1 | ● | 715956A1 (1) | 1 | VALVE |
| 2 | 710102A1 | | | 6 | VALVE |
| 3 | TBA | | | 1 | O-Ring |
| 4 | TBA | | | 1 | O-Ring |
| 5 | TBA | | | 1 | O-Ring |
| 6 | TBA | | | 1 | Spool |
| 7 | TBA | | | 1 | Nut |
| 8 | 712674A1 | | B | 1 | SOLENOID |
| 9 | 713206A1 | | | 1 | Plug |
| 10 | TBA | | | 1 | O-Ring |
| 11 | 713207A1 | | | 8 | Plug |
| 12 | TBA | | | 1 | O-Ring |
| 131 | 708922A1 | ● | | 5 | Seal |

Includes: 12

Includes: 10

M14

M18

Includes: 3 - 7

Includes: 2 - 12

A NOT ILLUSTRATED

B SWITCH PARK LOCK

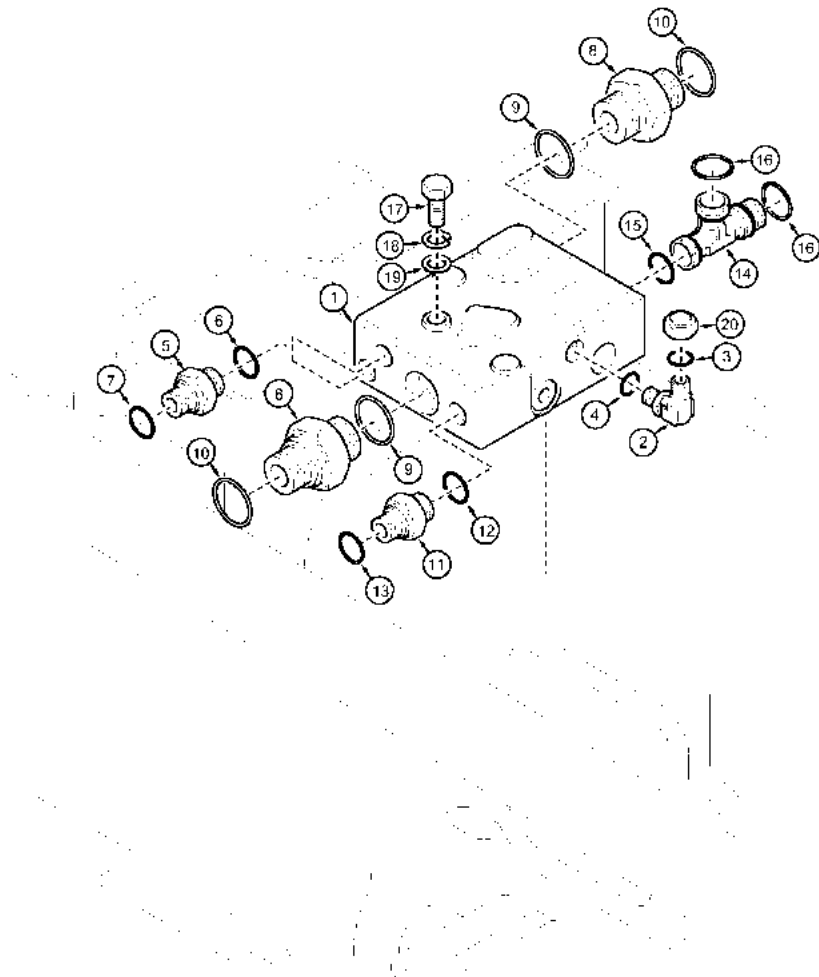
8 - Hydraulic System

8 -
021

PRIORITY VALVE

XTX Series XTX185, XTX200, XTX215 (2005-2007)

8021



- | | | | |
|----|-----------|---|------------|
| 1 | 710386A1 | 1 | VALVE |
| 2 | 700-326 | 1 | ELBOW |
| 3 | 238-6014 | 1 | INSTANT GA |
| 4 | 637-63193 | 1 | INSTANT GA |
| 5 | 700-101 | 2 | COMPLIANCE |
| 6 | 637-63113 | 1 | RING |
| 7 | 238-6012 | 1 | INSTANT GA |
| 8 | 700-105 | 2 | COMPLIANCE |
| 9 | 637-64296 | 1 | RING |
| 10 | 238-6021 | 1 | INSTANT GA |
| 11 | 700-162 | 1 | STUD LOCK |
| 12 | 637-63193 | 1 | INSTANT GA |
| 13 | 238-6014 | 1 | INSTANT GA |
| 14 | 700-420 | 1 | TEEPIECE |
| 15 | 637-63193 | 1 | INSTANT GA |
| 16 | 238-6016 | 2 | INSTANT GA |
| 17 | 828-8080 | 3 | Bolt |
| 18 | 892-11008 | 3 | WASHER |

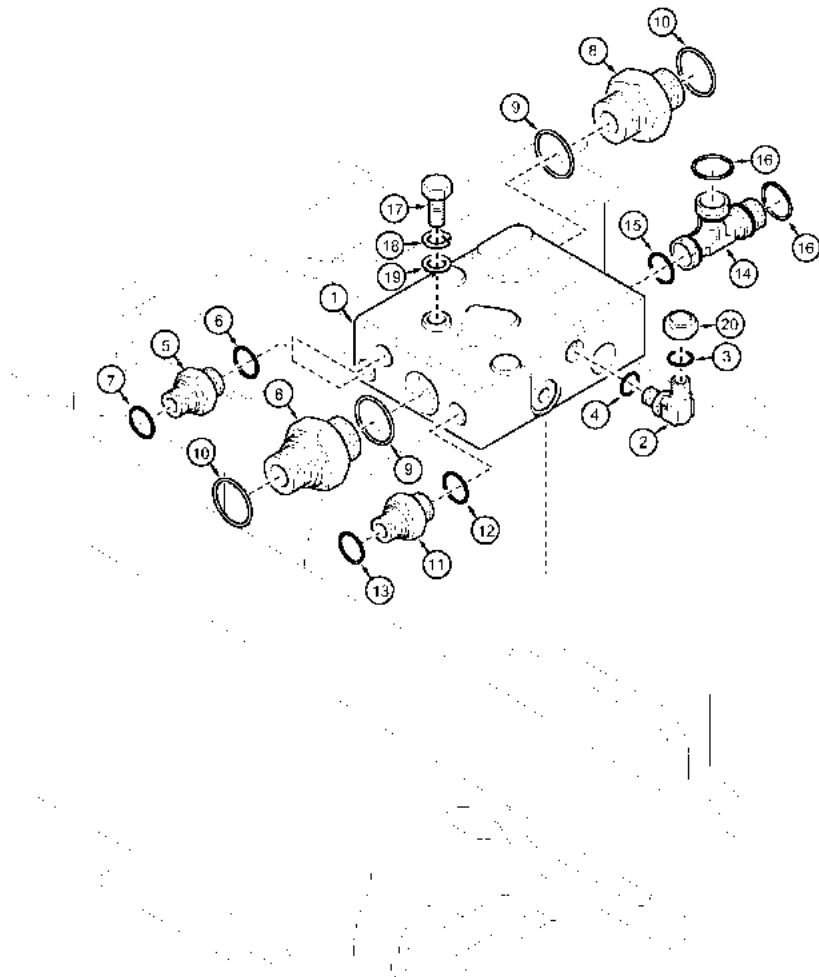
8 - Hydraulic System

8 -
021

PRIORITY VALVE

XTX Series XTX185, XTX200, XTX215 (2005-2007)

8021



- 19 895-11008
- 20 201-905

- 3 WASHER
- 0 CAP

9 x 17 x 1,6 mm
M8

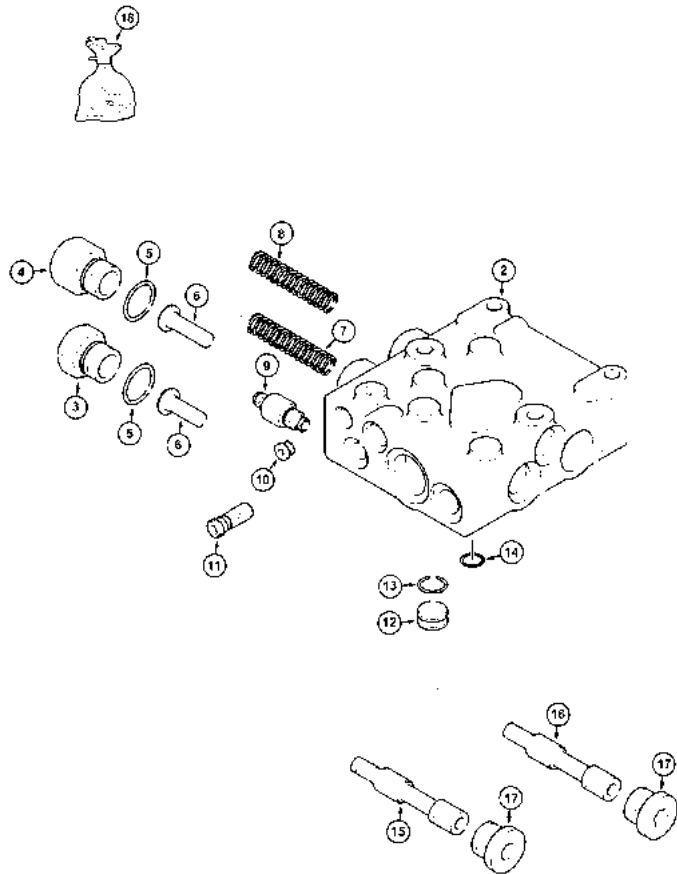
Includes: 6,7
5/8 ID x 1/16
3/8 ID x 1/16

Includes: 3,4
15/16 ID x 1/16
11,3 ID x 2,2 mm
1/2 ID x 1/16

Includes: 15,16
Includes: 9,10
19,3 ID x 2,2 mm
Includes: 12,13
29,6 ID x 2,9 mm
M8 x 80; 10.9

XTX Series XTX185, XTX200, XTX215 (2005-2007)

8023



- | | | | |
|----|----------|---|--------------|
| 1 | 710386A1 | 1 | VALVE |
| 2 | TBA | 1 | Body |
| 3 | TBA | 1 | Plug |
| 4 | TBA | 1 | Plug |
| 5 | NSS | 2 | O-Ring |
| 6 | TBA | 2 | Retainer |
| 7 | TBA | 1 | Spring |
| 8 | TBA | 1 | Spring |
| 9 | TBA | 1 | Valve Assy |
| 10 | TBA | 1 | Plug |
| 11 | TBA | 1 | Valve, Check |
| 12 | TBA | 1 | Plug |
| 13 | NSS | 2 | O-Ring |
| 14 | NSS | 2 | O-Ring |
| 15 | TBA | 1 | Spool |
| 16 | TBA | 1 | Spool |
| 17 | TBA | 2 | Plug |
| 18 | TBA | 1 | Kit, Repair |

M8

M27

Consists Of: 2 - 17

23,7 x 2,8 mm

13,94 x 2,62 mm

9,19 x 2,8 mm

Consists Of: 5,13,14

M27 x 35,5

M27 x 38,5

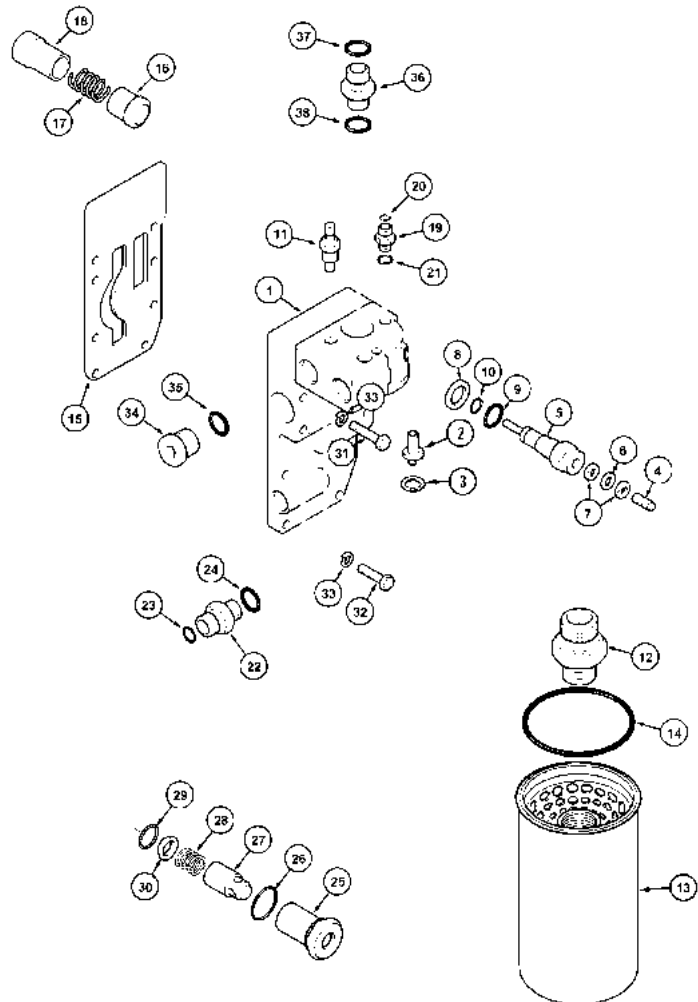
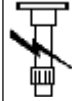
8 - Hydraulic System

8 -
025

HYDRAULIC OIL FILTER

XTX Series XTX185, XTX200, XTX215 (2005-2007)

8025



- | | | | | |
|----|-----------|-----------------|---|------------|
| 1 | 330169A1 | | 1 | MANIFOLD |
| 2 | 1957807C1 | ● 1957807C2 (1) | 1 | VALVE |
| 3 | A177482 | | 1 | RING |
| 4 | N13268 | | 1 | SPEED INDI |
| 5 | NSS | | 1 | Body |
| 6 | NSS | | 1 | Washer |
| 7 | 129-667 | ● 225-14410 (2) | 2 | Nut |
| 8 | 493-21020 | | 1 | Washer |
| 9 | 237-6006 | | 1 | INSTANT GA |
| 10 | 238-5011 | | 1 | INSTANT GA |
| 11 | 243803A2 | | 1 | INDICATOR |
| 12 | A176321 | | 2 | ACTUATOR |
| 13 | 709173A1 | | 1 | FILTER |
| 14 | 93196C1 | | 1 | RING |
| 15 | 248291A1 | ● 248291A2 (1) | 1 | GASKET |
| 16 | 1340805C1 | | 1 | PISTON |
| 17 | 1340953C1 | | 1 | SPRING |
| 18 | 1340806C1 | | 1 | BODY |
| 19 | 700-102 | | 1 | COMPLIANCE |
| 20 | 238-6014 | | 1 | INSTANT GA |
| 21 | 637-63153 | | 1 | RING |

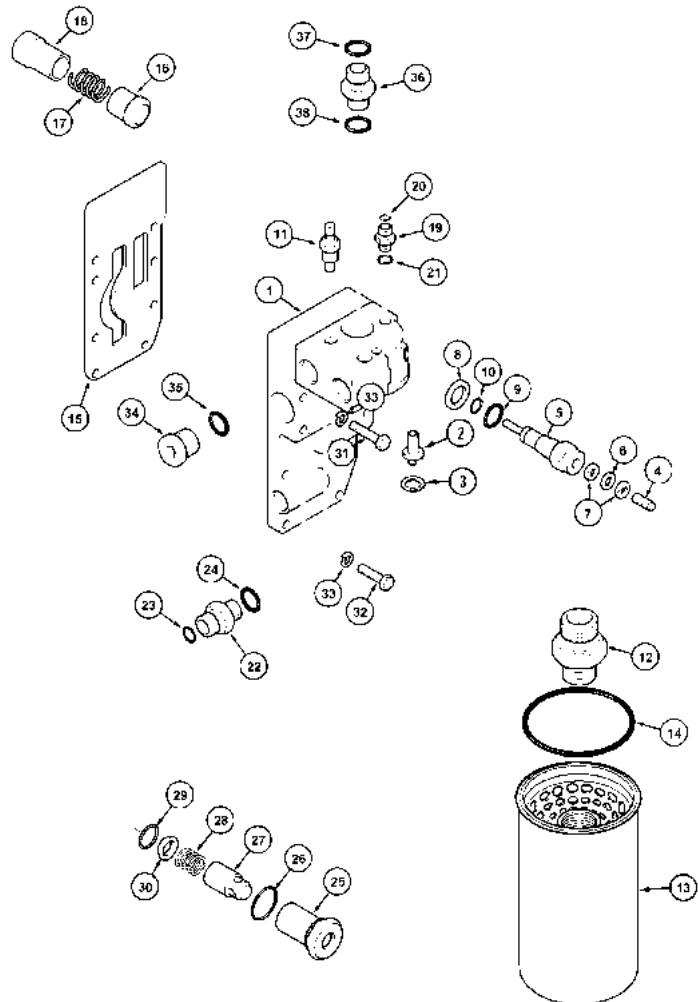
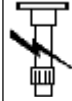
8 - Hydraulic System

8 -
025

HYDRAULIC OIL FILTER

XTX Series XTX185, XTX200, XTX215 (2005-2007)

8025



- 22 700-133
- 23 238-6025
- 24 637-64386
- 25 107451A1
- 26 237-6020
- 27 NSS
- 28 107454A2
- 29 107452A1
- 30 107456A1
- 31 814-10070
- 32 614-10040
- 33 892-11010
- 34 221528A1
- 35 637-64386
- 36 700-105
- 37 238-6021
- 38 637-64296

- 1 CONNECTION
- 1 INSTANT GA
- 1 O-Ring
- 1 Valve, Relief
- 1 INSTANT GA
- 1 Poppet, Valve
- 1 SPRING
- 1 RING
- 1 LOCK WASHER
- 4 SCREW
- 4 BOLT
- 8 Washer, Lock
- 2 PLUG
- 1 O-Ring
- 1 COMPLIANCE
- 1 INSTANT GA
- 1 RING

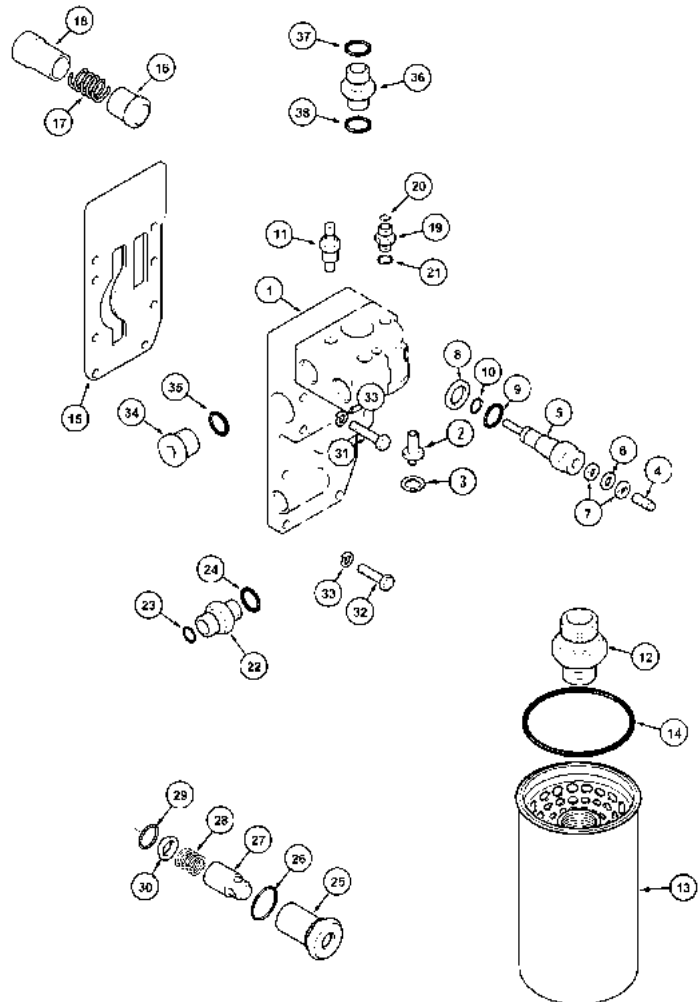
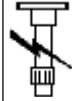
8 - Hydraulic System

8 -
025

HYDRAULIC OIL FILTER

XTX Series XTX185, XTX200, XTX215 (2005-2007)

8025



M10

Includes: 35

15/32 ID x 5/64

15/16 ID x 1/16

Includes: 14

1/2 ID x 1/16

5/16 ID x 1/16

Includes: 23,24

Includes: 20,21

M10 x 40

3/16

15,3 ID x 2,2 mm

Oil Temperature

29,6 ID x 2,9 mm

1-3/16 ID x 1/16

1-15/32 ID x 1/8

No. 10 NF

Includes: 2 - 12

Consists Of: 5 - 10

M10 x 70

Includes: 26 - 30

2,9 x 38,6 mm

Includes: 38,38

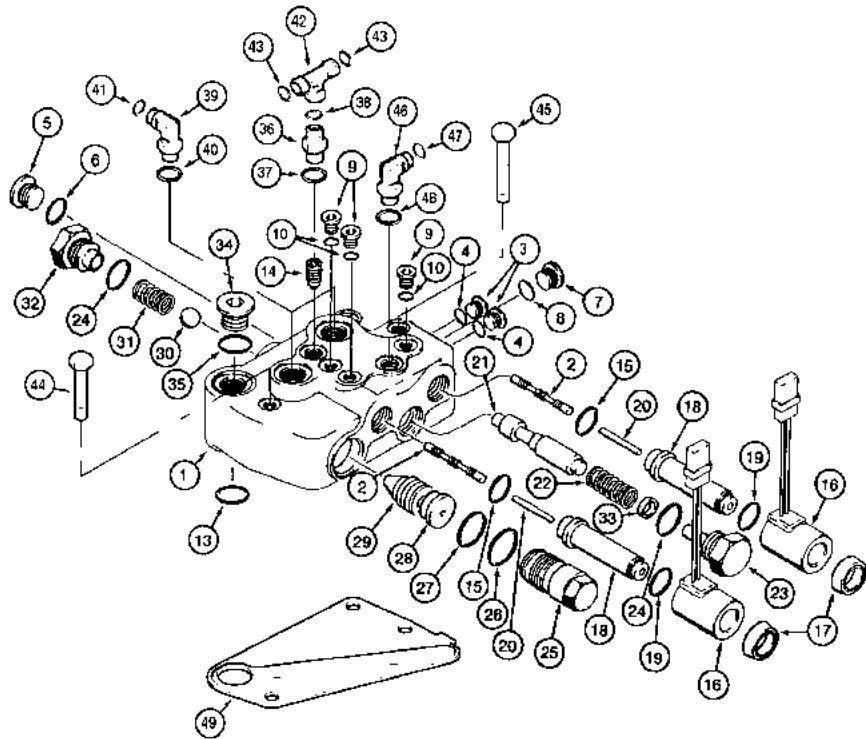
8 - Hydraulic System

8 -
027

HITCH VALVE ASSEMBLY

XTX Series XTX185, XTX200, XTX215 (2005-2007)

8027



- | | | | |
|----|----------|---|--------------|
| 1 | 243253A1 | 1 | Package, S |
| 1 | 284230A1 | 1 | DISTRIBUTOR |
| 2 | 188104A1 | 1 | BALL JOINT |
| 3 | 218-5206 | 2 | PLUG |
| 4 | 237-6003 | 1 | INSTANT GA |
| 5 | 218-5210 | 1 | PLUG |
| 6 | 237-6008 | 1 | INSTANT GA |
| 7 | 218-5209 | 1 | PLUG |
| 8 | 237-6006 | 1 | INSTANT GA |
| 9 | 218-5207 | 3 | PLUG |
| 10 | 237-6004 | 1 | INSTANT GA |
| 13 | 238-6125 | 1 | INSTANT GA |
| 14 | 188115A1 | 1 | Valve, Check |
| 15 | 238-5114 | 2 | INSTANT GA |

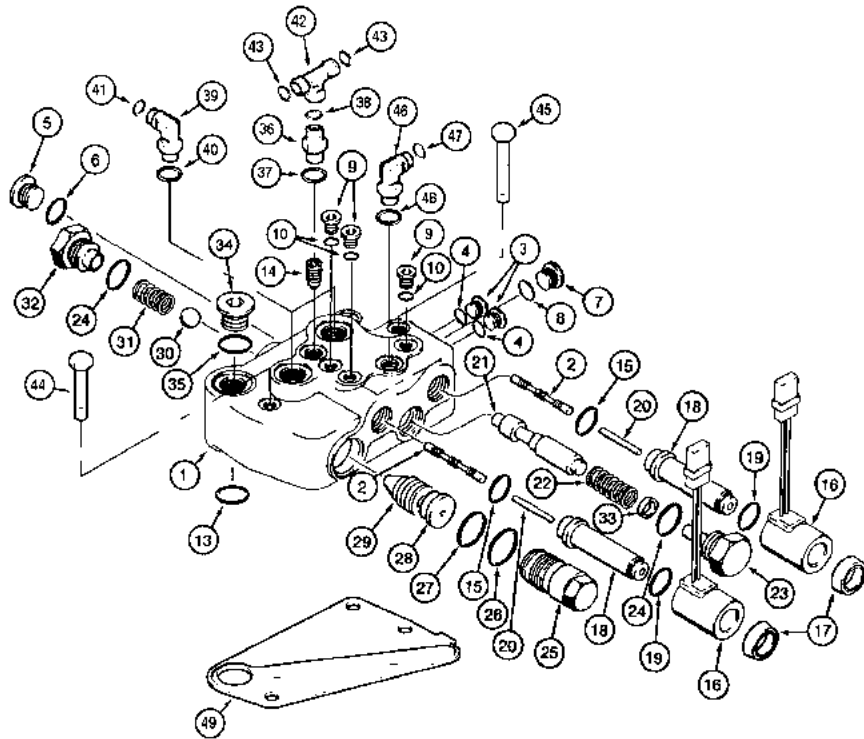
8 - Hydraulic System

8 -
027

HITCH VALVE ASSEMBLY

XTX Series XTX185, XTX200, XTX215 (2005-2007)

8027



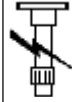
- | | | | | |
|----|----------|--|---|------------|
| 16 | 188105A1 | | 2 | SOLENOID |
| 16 | 225315C1 | ● 6512446M91 (1) | 1 | CONNECTION |
| 16 | 225318C1 | | 1 | WEDGE |
| 16 | 243254A1 | ● 188105A1 (2)
225318C1 (2)
6512446M91 (2) | 2 | KIT |
| 17 | 188106A1 | | 2 | NUT |
| 18 | 188117A1 | | 2 | BALL JOINT |
| 19 | 238-5017 | | 2 | INSTANT GA |
| 20 | 188116A1 | | 2 | PIN |
| 21 | NSS | | 1 | Spool |
| 22 | NSS | | 1 | Spring |
| 23 | 188110A1 | | 1 | PLUG |
| 24 | 237-6010 | | 2 | INSTANT GA |
| 25 | 188111A1 | | 1 | Plug |
| 25 | 304343A1 | | 1 | KIT |
| 26 | 238-5023 | | 1 | O-Ring |
| 27 | 238-5022 | | 1 | O-Ring |

8 - Hydraulic System

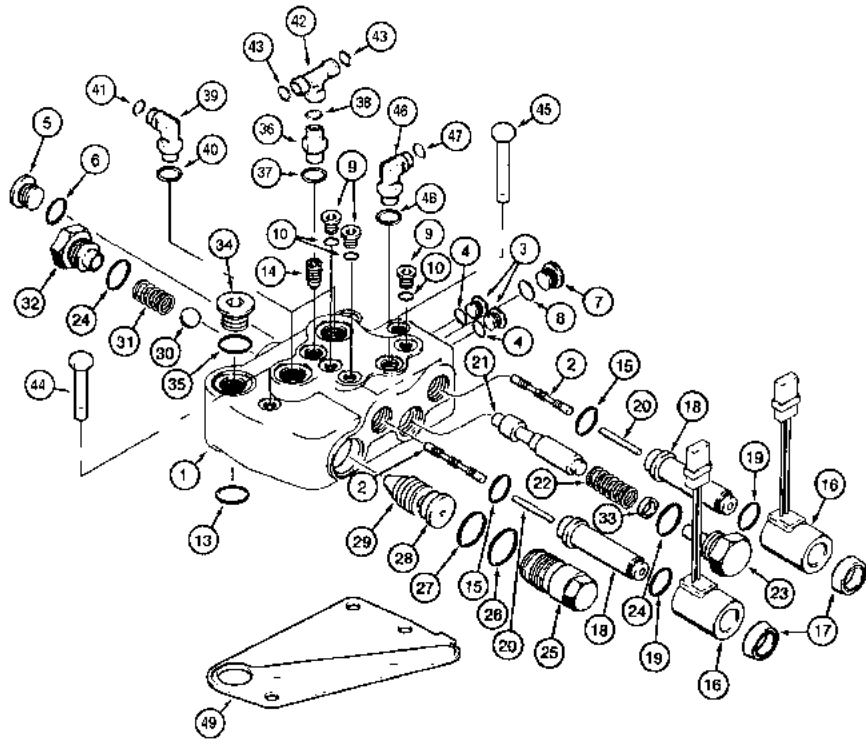
8 -
027

HITCH VALVE ASSEMBLY

XTX Series XTX185, XTX200, XTX215 (2005-2007)



8027



- 28 308925A1 ● N.L.S. (1)
- 29 NSS

- 1 Stem
- 1 Poppet, Valve

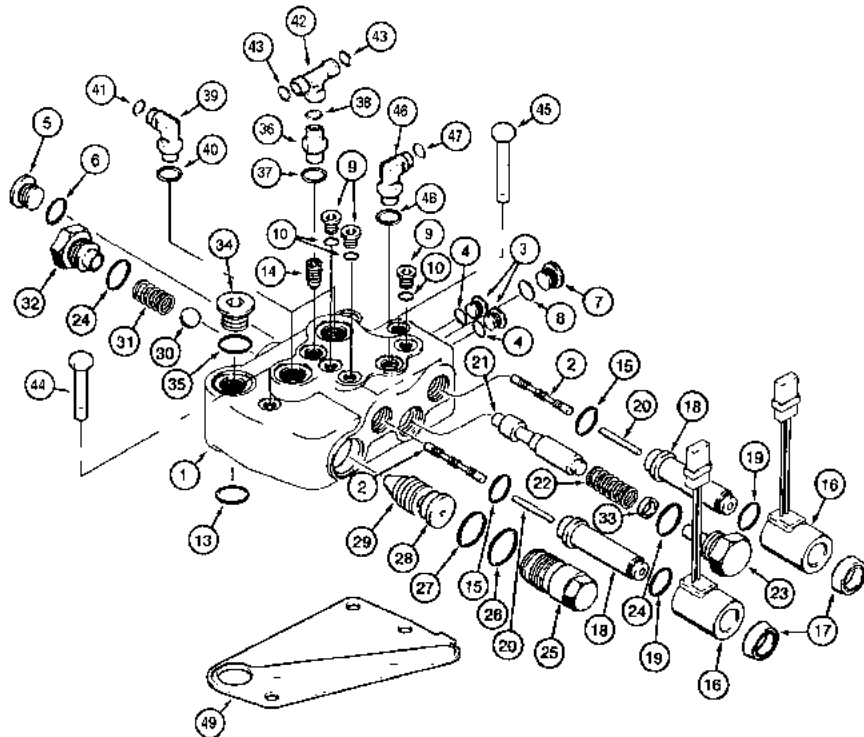
8 - Hydraulic System

8 -
027

HITCH VALVE ASSEMBLY

XTX Series XTX185, XTX200, XTX215 (2005-2007)

8027



Includes: 10

Includes: 6

41/64 ID x 3/32

Includes: 8

15/32 ID x 5/64

Includes: 4

3/4 Or

23/64 ID x 5/64

7/16 Or

3/4 ID x 3/32

5/16 ID x 1/16

11/16 ID x 1/16

Includes: 2 - 35

5/8 ID x 3/32

3/8 Or

9/16 Or

1-5/16 ID x 3/32

W2P

DT104-2P

Meter

1-1/16 ID x 1/16

1 ID x 1/16

Consists Of: 188111A1,26 - 29

Consists Of: 4,6,8,10,13,15,19,24,26,27,35

Consists Of: 188105A1,225318C1,225315C1

A

NOT ILLUSTRATED

B

CONTINUED

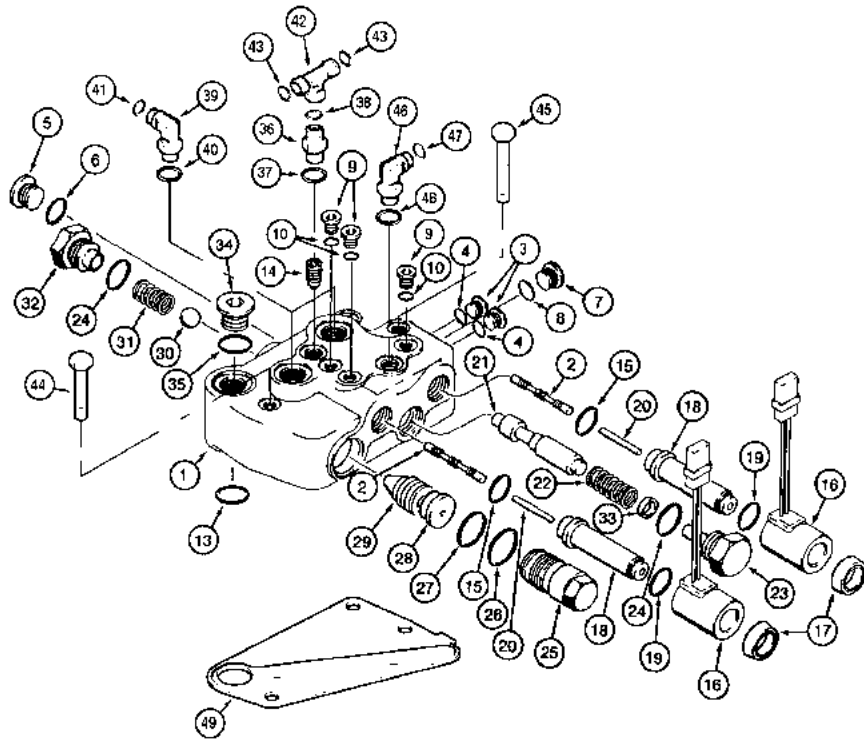
8 - Hydraulic System

8 -
029

HITCH VALVE ASSEMBLY

XTX Series XTX185, XTX200, XTX215 (2005-2007)

8029



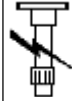
- | | | | |
|----|-----------|---|------------|
| 30 | 511-10200 | 1 | BALL |
| 31 | 188114A1 | 1 | SPRING |
| 32 | 188107A1 | 1 | Plug |
| 33 | NSS | 0 | Spacer |
| 34 | 218-5212 | 1 | PLUG |
| 35 | 237-6012 | 1 | O-Ring |
| 36 | 700-101 | 1 | COMPLIANCE |
| 37 | 637-63113 | 1 | RING |
| 38 | 238-6012 | 1 | INSTANT GA |
| 39 | 700-306 | 2 | ELBOW |
| 40 | 637-63193 | 1 | INSTANT GA |
| 41 | 238-6012 | 1 | INSTANT GA |
| 42 | 701-434 | 1 | TEEPIECE |
| 43 | 238-6012 | 2 | INSTANT GA |
| 44 | 864-10080 | 2 | BOLT |
| 45 | 864-10090 | 1 | SCREW |
| 46 | 700-304 | 1 | ELBOW |
| 47 | 238-6012 | 1 | INSTANT GA |

8 - Hydraulic System

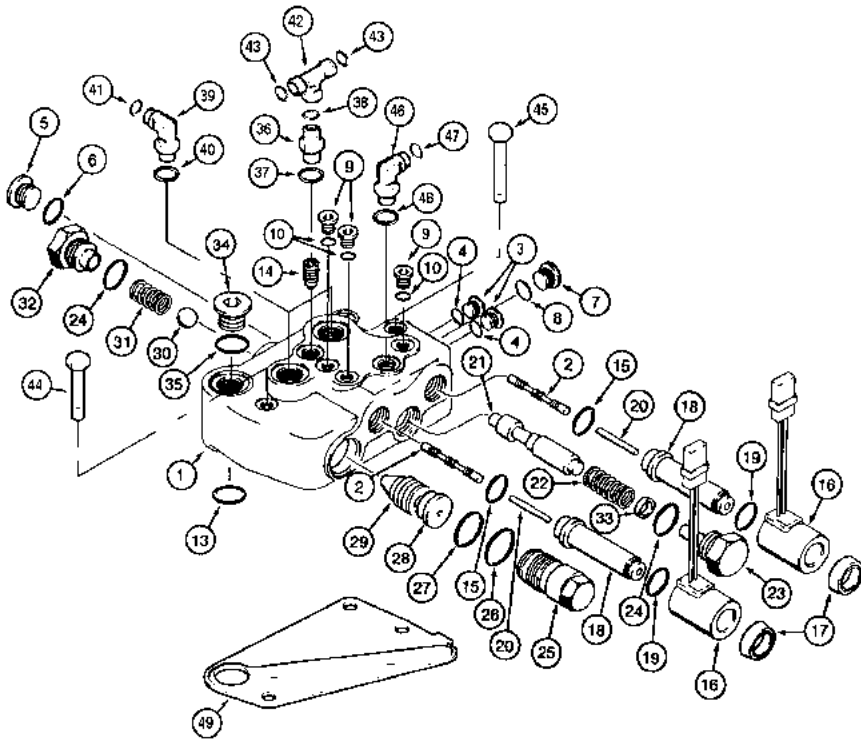
8 -
029

HITCH VALVE ASSEMBLY

XTX Series XTX185, XTX200, XTX215 (2005-2007)



8029



- 48 637-64296
- 49 303376A1

- 1 RING
- 1 GASKET

Includes: 35

20 mm

Includes: 47,48

3/8 ID x 1/16

11,3 ID x 2,2 mm

M10 x 80; 8,8

59/64 ID x 7/64

Includes: 43

M10 x 90; 8.8

1-1/16 Or

Includes: 40,41

19,3 ID x 2,2 mm

Includes: 37,38

29,6 ID x 2,9 mm

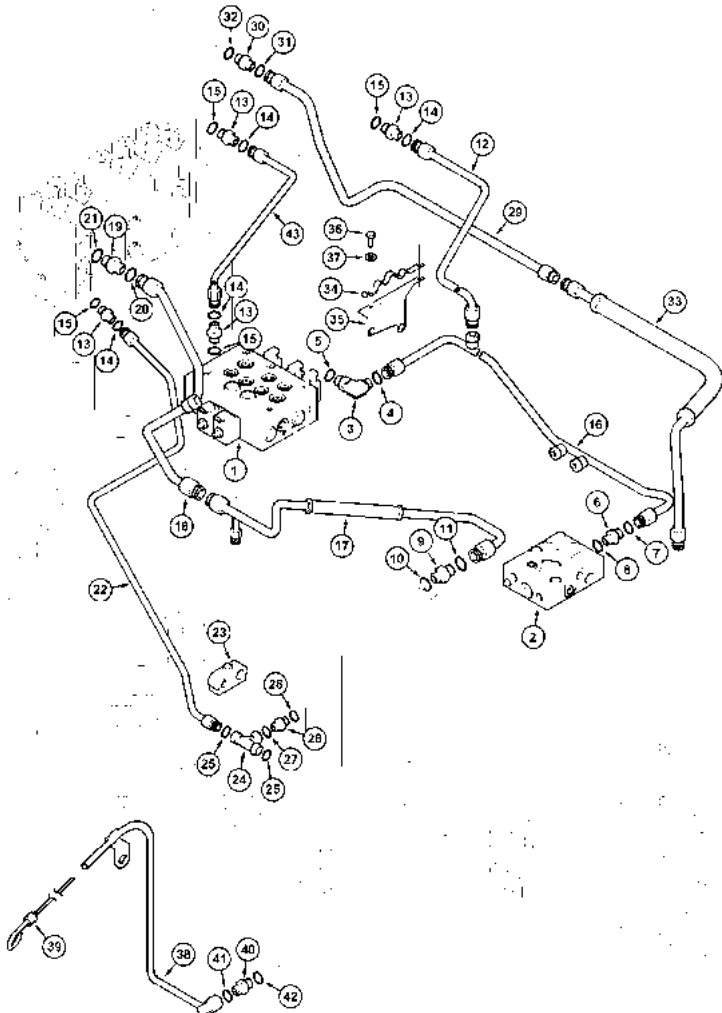
8 - Hydraulic System

8 -
031

HYDRAULIC CIRCUIT

XTX Series XTX185, XTX200, XTX215 (2005-2007)

8031



- | | | | |
|----|----------------|---|------------|
| 1 | 709030A2 | 1 | VALVE |
| 2 | 710386A1 | 1 | VALVE |
| 3 | TBA | 1 | Elbow |
| 4 | TBA | 1 | O-Ring |
| 5 | TBA | 1 | O-Ring |
| 6 | 700-103 | 1 | COMPLIANCE |
| 7 | 238-6014 | 1 | INSTANT GA |
| 8 | 637-63153 | 1 | RING |
| 9 | 700-105 | 1 | COMPLIANCE |
| 10 | 637-64296 | 1 | RING |
| 11 | 238-6021 | 1 | INSTANT GA |
| 12 | 710387A1 | 1 | TUBE ASSY |
| 12 | 710665A1 | 1 | PIPE |
| 13 | 700-165 | 4 | UNION |
| 14 | 238-6012 | 1 | INSTANT GA |
| 15 | 637-63093 | 1 | GASKET |
| 16 | 709564A4 | 1 | TUBE ASSY |
| | ● 709564A5 (1) | | |

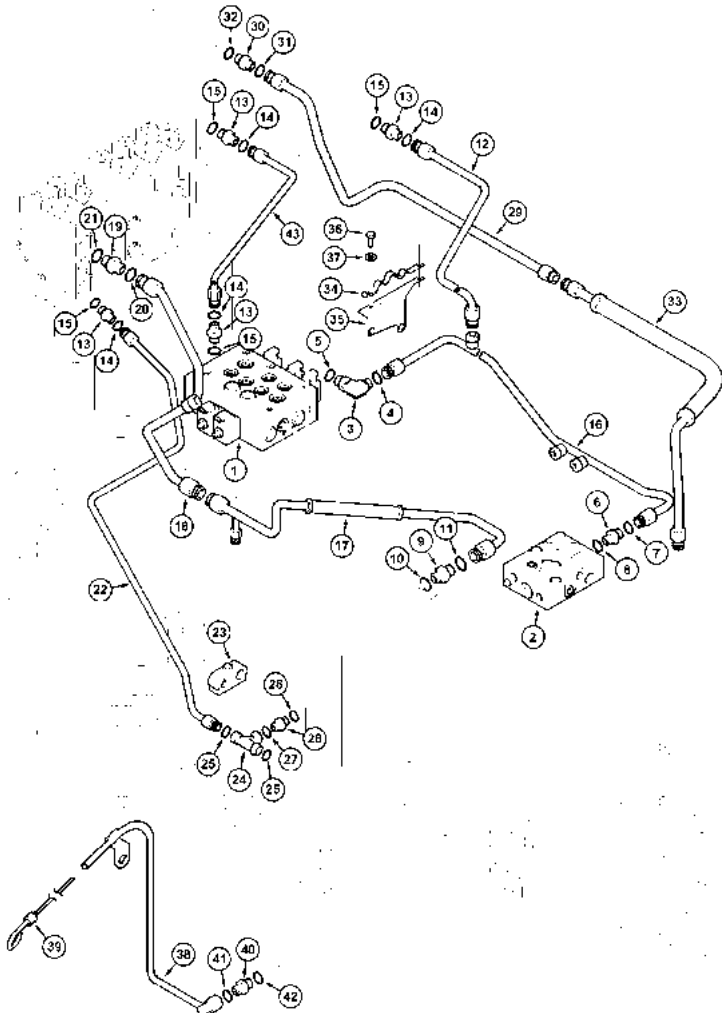
8 - Hydraulic System

8 -
031

HYDRAULIC CIRCUIT

XTX Series XTX185, XTX200, XTX215 (2005-2007)

8031



- | | | | |
|----|-----------|---|------------|
| 17 | 709565A2 | 1 | TUBE ASSY |
| 18 | 709566A2 | 1 | TUBE ASSY |
| 19 | 700-104 | 1 | UNION |
| 20 | 238-6018 | 1 | INSTANT GA |
| 21 | 637-64236 | 1 | RING |
| 22 | 709580A2 | 1 | TUBE ASSY |
| 23 | 258153A1 | 1 | CLAMP |
| 24 | 701-434 | 1 | TEEPIECE |
| 25 | 238-6012 | 1 | INSTANT GA |
| 26 | 700-101 | 1 | COMPLIANCE |
| 27 | 238-6012 | 1 | INSTANT GA |
| 28 | 637-63113 | 1 | RING |

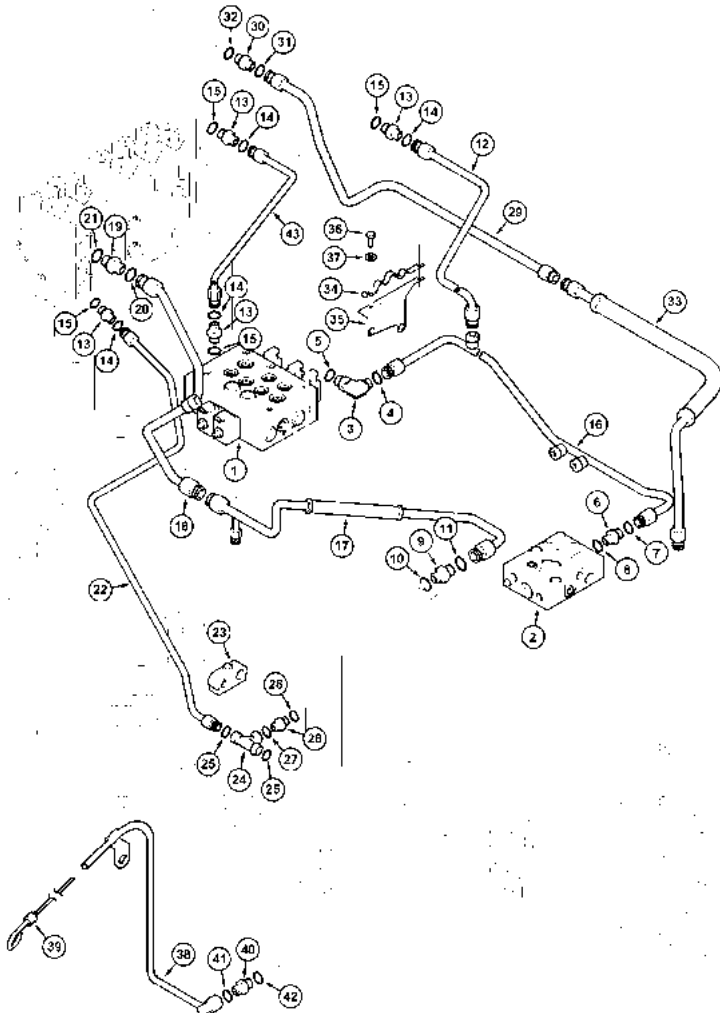
8 - Hydraulic System

8 -
031

HYDRAULIC CIRCUIT

XTX Series XTX185, XTX200, XTX215 (2005-2007)

8031



- Includes: 4,5
- 9,3 ID x 2,2
- 3/8 ID x 1/16
- 15/16 ID x 1/16
- 11,3 ID x 2,2 mm
- Includes: 14,15
- 1/2 ID x 1/16
- See Page(s): 6-57
- 3/4 ID x 1/16
- Includes: 25
- M27
- Includes: 7,8
- Supply
- Includes: 20,21
- Includes: 10,11
- Includes: 27,28
- 15,3 ID x 2,2 mm
- 29,6 ID x 2,9 mm
- 2,9 x 23,6 mm
- Valve: 4
- Valve: 5
- CONTINUED

B

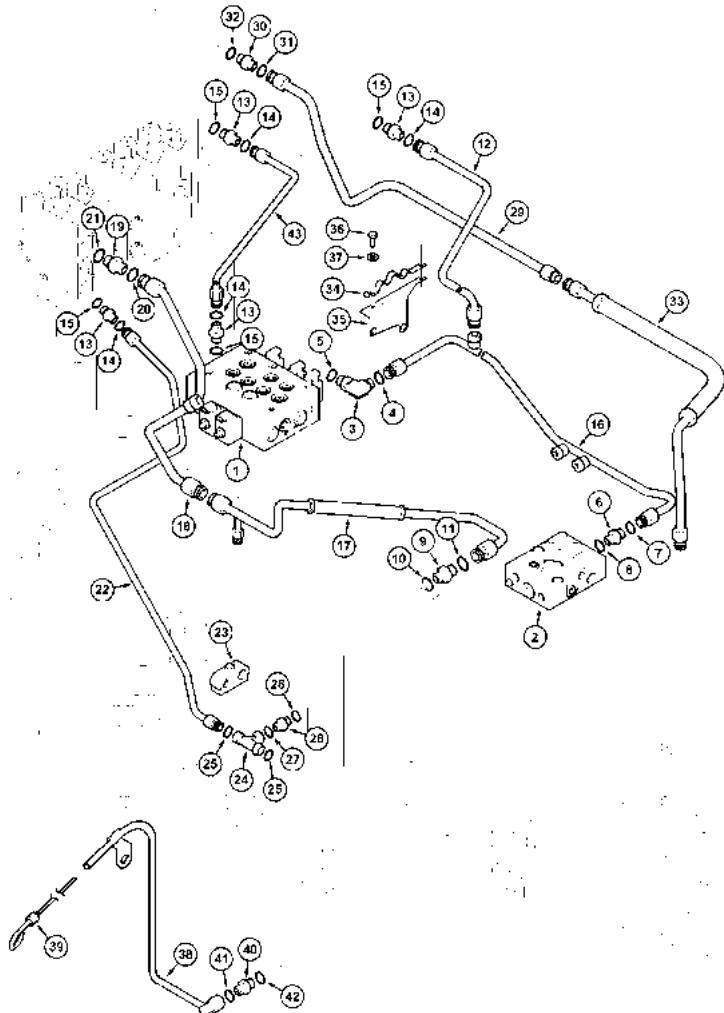
8 - Hydraulic System

8 -
033

HYDRAULIC CIRCUIT

XTX Series XTX185, XTX200, XTX215 (2005-2007)

8033



- | | | | |
|----|-----------|---|------------|
| 29 | 709567A3 | 1 | TUBE ASSY |
| 30 | 186657A1 | 1 | NON RETURN |
| 31 | 238-6021 | 1 | INSTANT GA |
| 32 | 637-64296 | 1 | RING |
| 33 | 709568A3 | 1 | Hose Assy |
| 34 | 710327A1 | 1 | FLANGE |
| 35 | 709740A1 | 1 | SUPPORT |
| 36 | 614-8020 | 2 | SCREW |
| 37 | 895-11008 | 2 | WASHER |
| 38 | 303254A1 | 1 | PIPE |
| 39 | 256418A2 | 1 | DEEPSTICK |
| 40 | 700-102 | 1 | COMPLIANCE |
| 41 | 238-6014 | 1 | INSTANT GA |
| 42 | 637-63153 | 1 | RING |
| 43 | 710388A1 | 1 | PIPE |
| 43 | 710666A1 | 1 | PIPE |

9 x 17 x 1,6 mm

M8 x 20; 8,8

15/16 ID x 1/16

1/2 ID x 1/16

VALVE

Return

Includes: 31,32

15,3 ID x 2,2 mm

29,6 ID x 2,9 mm

Includes: 41,42

Valve: 4

Return: 5

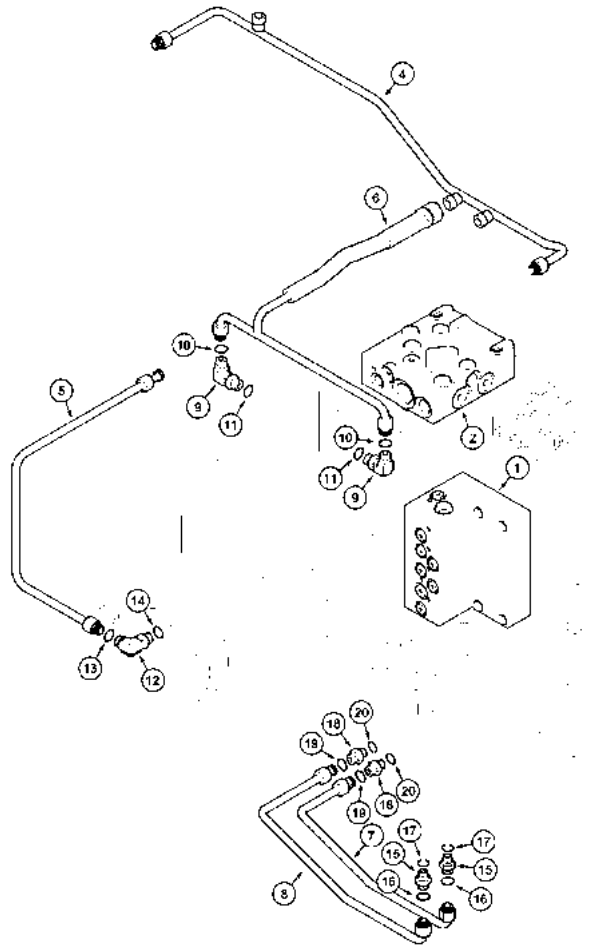
8 - Hydraulic System

8 -
035

HYDRAULIC CIRCUIT

XTX Series XTX185, XTX200, XTX215 (2005-2007)

8035



- | | | | | | |
|----|-----------|---|--------------|---|------------|
| 1 | 710454A1 | ● | 715956A1 (1) | 1 | VALVE |
| 2 | 710386A1 | | | 1 | VALVE |
| 4 | 709564A4 | ● | 709564A5 (1) | 1 | TUBE ASSY |
| 5 | 709574A4 | ● | 709574A5 (1) | 1 | TUBE ASSY |
| 6 | 709583A2 | | | 1 | TUBE ASSY |
| 7 | 709572A1 | | | 1 | TUBE ASSY |
| 8 | 710664A1 | | | 1 | TUBE ASSY |
| 9 | 700-304 | | | 2 | ELBOW |
| 10 | 238-6012 | | | 1 | INSTANT GA |
| 11 | 637-64296 | | | 1 | RING |
| 12 | 700-305 | | | 1 | COMPLIANCE |
| 13 | 238-6014 | | | 1 | INSTANT GA |
| 14 | 637-63153 | | | 1 | RING |
| 15 | 700-106 | | | 1 | UNION |
| 16 | 238-6012 | | | 1 | INSTANT GA |
| 17 | 637-63153 | | | 1 | RING |
| 18 | 700-101 | | | 2 | COMPLIANCE |
| 19 | 238-6012 | | | 1 | INSTANT GA |

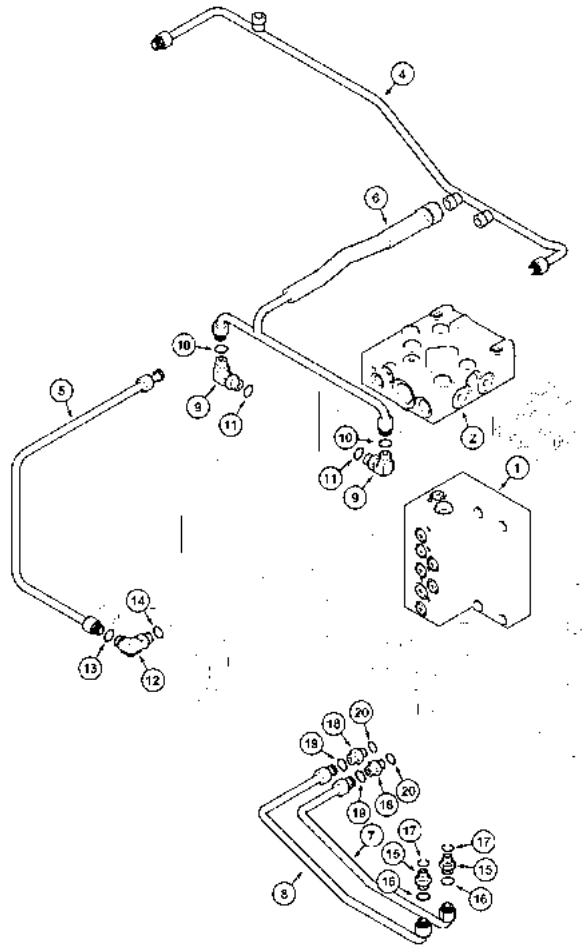
8 - Hydraulic System

8 -
035

HYDRAULIC CIRCUIT

XTX Series XTX185, XTX200, XTX215 (2005-2007)

8035



20 637-63113

1 RING

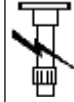
- Includes: 19,20
- 3/8 ID x 1/16
- 11,3 ID x 2,2 mm
- 1/2 ID x 1/16
- See Page(s): 8-19
- See Page(s): 8-21
- Includes: 13,14
- Includes: 10,11
- Includes: 16,17
- 15,3 ID x 2,2 mm
- 29,6 ID x 2,9 mm

8 - Hydraulic System

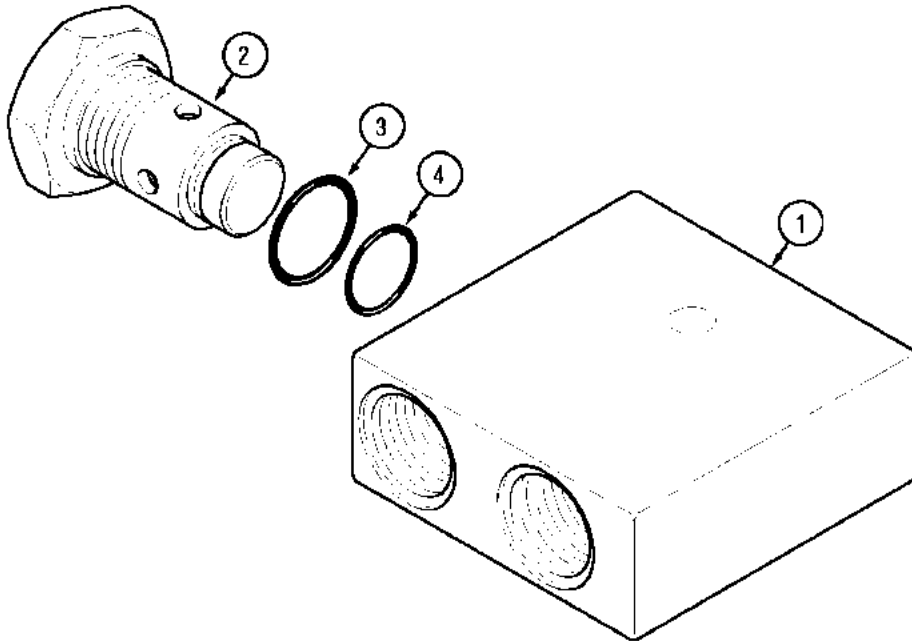
8 -
037

BYPASS VALVE

XTX Series XTX185, XTX200, XTX215 (2005-2007)



8037



- | | | | | | |
|-----|----------|---|--------------|---|--------------|
| 1 | 297460A2 | ● | 297462A2 (1) | 1 | Block |
| 1 | 297462A2 | | | 1 | VALVE |
| 2 | 326816A1 | | | 1 | Valve, Check |
| 3 | 237-6010 | | | 1 | INSTANT GA |
| 4 | 238-5014 | | | 1 | INSTANT GA |
| 200 | 149942C1 | ● | 86508168 (1) | 1 | Package, S |

Includes: 3,4

3/4 ID x 3/32

1/2 ID x 1/16

Consists Of: 297460A2,2

Use With: 326816A1

NOT ILLUSTRATED

A

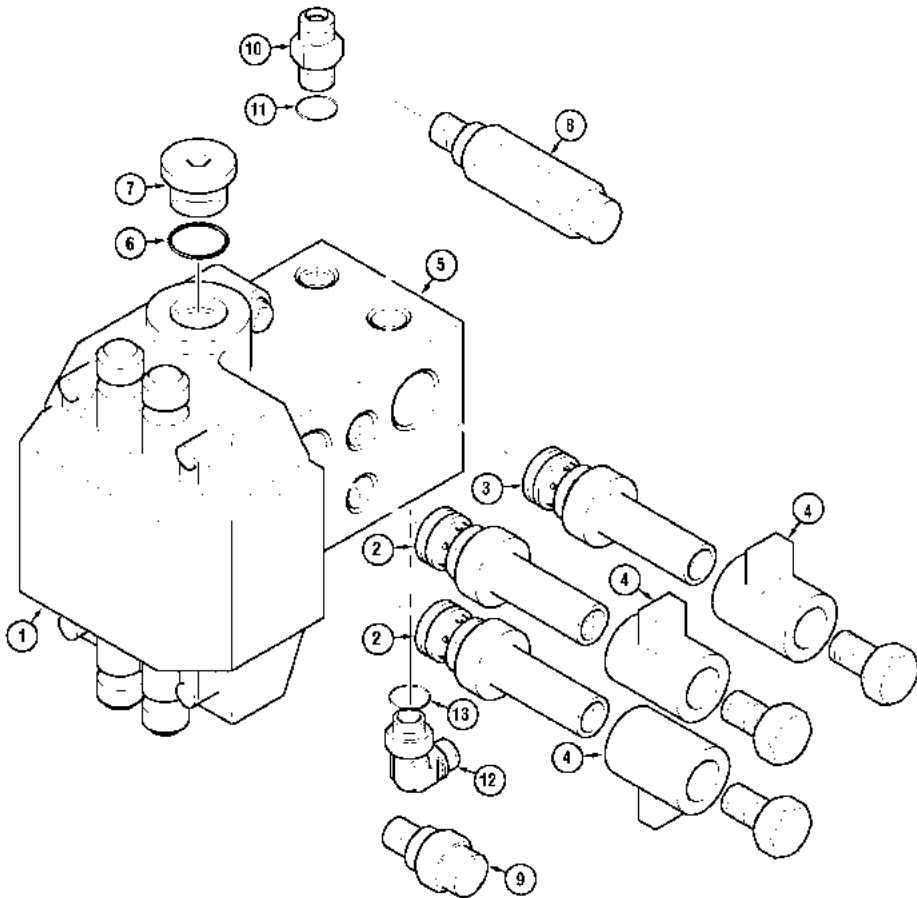
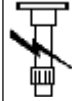
8 - Hydraulic System

8 -
039

VALVE ASSEMBLY - SUSPENSION - Europe Only

XTX Series XTX185, XTX200, XTX215 (2005-2007)

8039



- | | | | | | |
|----|-----------|---|----------------|---|------------|
| 1 | 337023A3 | ● | 4213385M92 (1) | 1 | VALVE |
| 1 | 340488A1 | ● | 3657027M1 (1) | 1 | BLOCK |
| 2 | 340489A1 | ● | 3657028M1 (2) | 2 | SOLENOID |
| 3 | 340490A1 | ● | 3657029M1 (1) | 1 | SPOOL |
| 4 | 340487A1 | ● | 3657026M1 (3) | 3 | SOLENOID |
| 5 | 340494A1 | ● | 3657033M91 (1) | 1 | BLOCK |
| 6 | 340493A2 | | | 2 | Ring, Seal |
| 7 | 338534A1 | | | 2 | Plug |
| 8 | 355713A1 | | | 1 | CONNECTION |
| 9 | 700-103 | | | 1 | COMPLIANCE |
| 10 | 338242A1 | | | 1 | UNION |
| 11 | 637-63153 | | | 1 | RING |
| 12 | 375914A1 | | | 1 | Elbow |
| 13 | 637-63153 | | | 1 | RING |

Includes: 11

Includes: 13

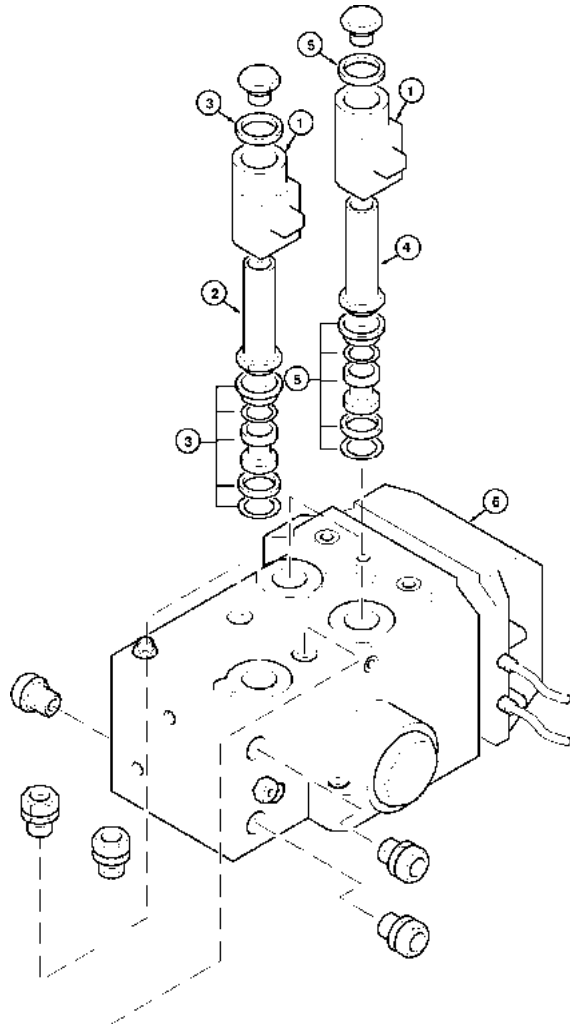
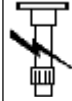
15,3 ID x 2,2 mm

M18 x 1/2 in

Consists Of: 340488A1,2 - 13

XTX Series XTX185, XTX200, XTX215 (2005-2007)

8041



- | | | | | | |
|---|----------|---|----------------|---|----------|
| 1 | 452174A1 | ● | 3657026M1 (3) | 3 | SOLENOID |
| 1 | 452180A1 | ● | 4213385M92 (1) | 1 | KIT |
| 2 | 452177A1 | ● | 3657029M1 (1) | 1 | VALVE |
| 3 | 452178A1 | ● | 3657031M91 (1) | 1 | KIT |
| 4 | 452175A1 | ● | 3657028M1 (2) | 2 | STEM |
| 5 | 452176A1 | ● | 3657030M91 (2) | 2 | KIT |
| 6 | 452179A1 | | | 1 | VALVE |

Consists Of: 452174A1,2 - 6

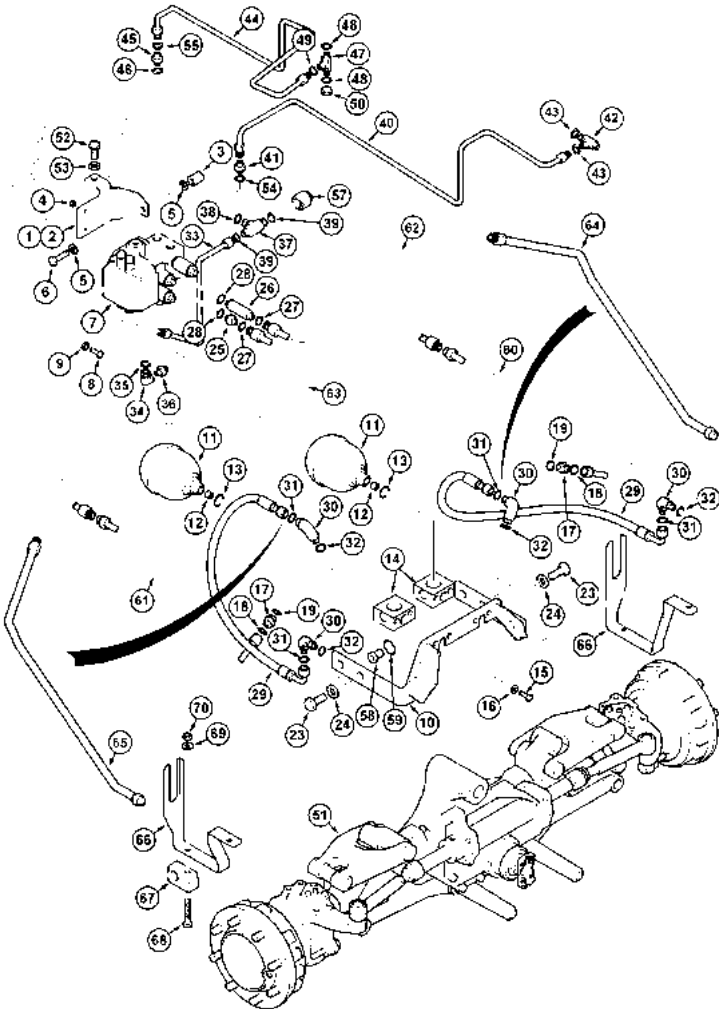
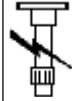
8 - Hydraulic System

8 -
043

FRONT AXLE HOSES AND CONNECTIONS - XTX185, XTX200

XTX Series XTX185, XTX200, XTX215 (2005-2007)

8043



- | | | | | |
|----|-----------|------------------|---|--------------|
| 1 | 335643A1 | | 1 | BRACE |
| 2 | NSS | | 1 | Bracket |
| 3 | NSS | | 1 | Spacer |
| 4 | NSS | | 2 | Nut |
| 5 | 896-11016 | ● 3019575X1 (2) | 2 | WASHER |
| 6 | 827-16080 | | 1 | BOLT |
| 7 | 452180A1 | ● 4213385M92 (1) | 1 | KIT |
| 8 | 828-10060 | | 2 | BOLT |
| 8 | 864-10050 | | 2 | BOLT |
| 9 | 495-51041 | | 2 | WASHER |
| 9 | 896-11010 | | 2 | WASHER |
| 10 | 701990A1 | ● 701990A2 (1) | 1 | Bracket Assy |
| 11 | 337042A1 | | 2 | COUPLER |
| 11 | 337381A1 | ● 337042A1 (1) | 1 | Accumulator |
| 12 | 338544A1 | ● 337042A1 (1) | 1 | Plug |
| 13 | 340493A2 | | 2 | Ring, Seal |
| 14 | 430772A1 | | 2 | BLOCK |
| 15 | 627-12025 | | 4 | BOLT |

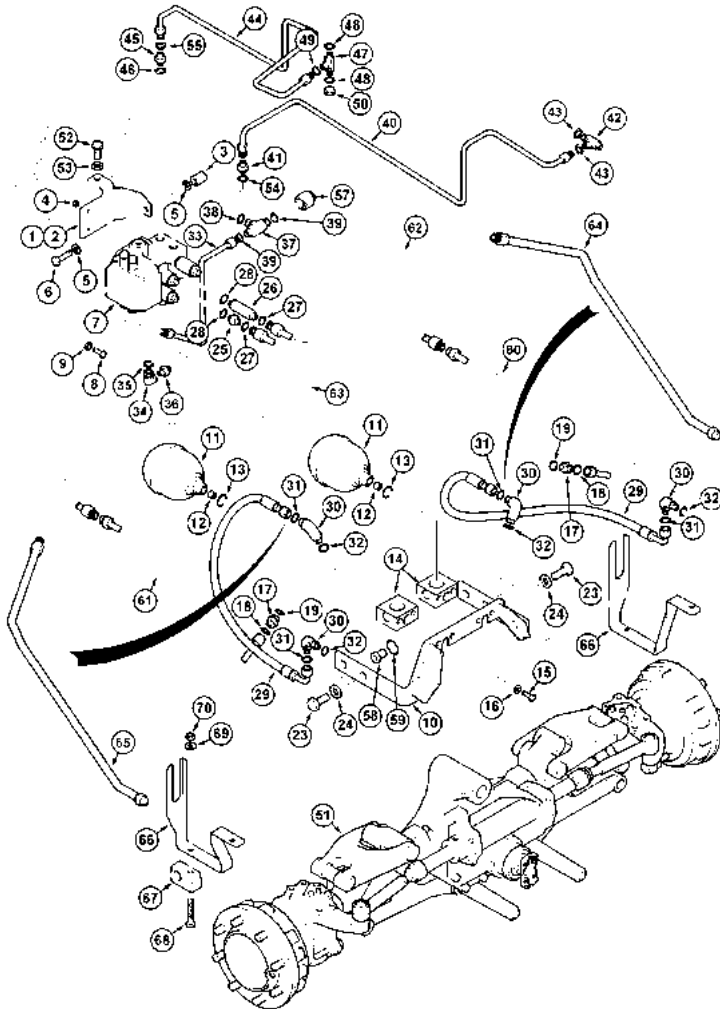
8 - Hydraulic System

8 -
043

FRONT AXLE HOSES AND CONNECTIONS - XTX185, XTX200

XTX Series XTX185, XTX200, XTX215 (2005-2007)

8043



- | | | | | |
|----|-----------|-----------------|---|------------|
| 16 | 896-11012 | ● 3667437M1 (4) | 4 | WASHER |
| 17 | 700-102 | | 2 | COMPLIANCE |
| 18 | 238-6014 | | 1 | INSTANT GA |
| 19 | 637-63153 | | 1 | RING |
| 23 | 627-20050 | | 4 | BOLT |
| 24 | 896-11020 | | 4 | WASHER |
| 25 | 700-103 | | 0 | COMPLIANCE |
| 26 | 355713A1 | | 1 | CONNECTION |
| 27 | 238-6016 | | 1 | INSTANT GA |
| 28 | 637-63193 | | 1 | INSTANT GA |

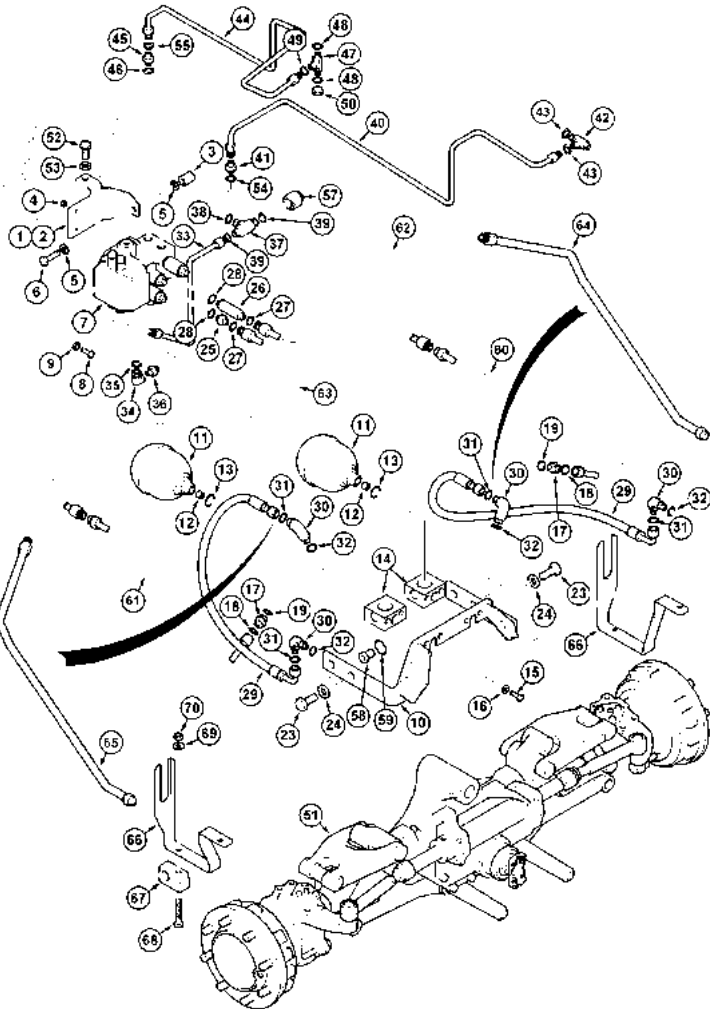
8 - Hydraulic System

8 -
043

FRONT AXLE HOSES AND CONNECTIONS - XTX185, XTX200

XTX Series XTX185, XTX200, XTX215 (2005-2007)

8043



- 11 x 21 x 2,5 mm
- 17,5 x 30 x 4 mm
- 5/8 ID x 1/16
- See Page(s): 8-41
- 1/2 ID x 1/16
- 22 x 37 x 4 mm
- 13.5 mm
- M16 x 80; 10,9
- Includes: 2 - 4
- Includes: 18,19
- M20 x 50; 10.9
- 13/32 x 47/64 x 1/16
- 19,3 ID x 2,2 mm
- Mounting
- Includes: 27,28
- 15,3 ID x 2,2 mm
- M12 x 25; 10,9
- M10 x 60; 10,9
- M10 x 50; 8.8
- Consists Of: 337381A1,12
- CONTINUED

B

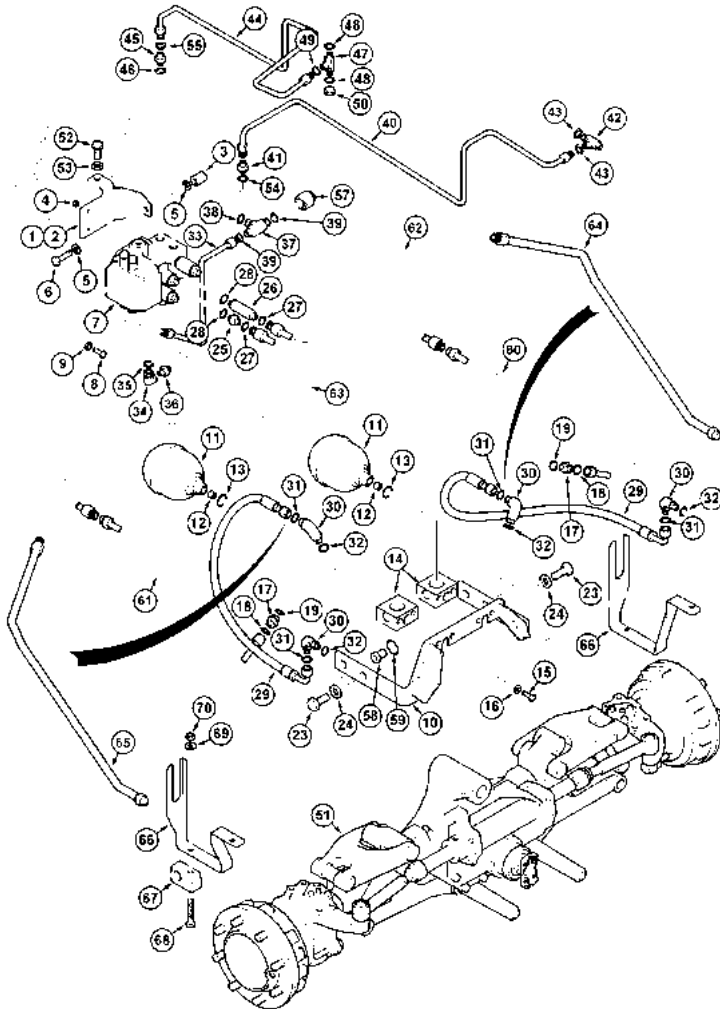
8 - Hydraulic System

8 -
045

FRONT AXLE HOSES AND CONNECTIONS - XTX185, XTX200

XTX Series XTX185, XTX200, XTX215 (2005-2007)

8045



- | | | | |
|----|----------------|---|------------|
| 29 | 702559A1 | 2 | Hose Assy |
| 29 | 702560A1 | 2 | Hose Assy |
| 30 | 700-305 | 4 | COMPLIANCE |
| 31 | 238-6014 | 1 | INSTANT GA |
| 32 | 637-63153 | 1 | RING |
| 33 | 710727A1 | 1 | PIPE |
| 34 | 338241A1 | 1 | ANGLE |
| 35 | 637-63153 | 1 | RING |
| 36 | 218-789 | 1 | ADAPTOR |
| 37 | 700-403 | 1 | TEEPIECE |
| 37 | 700-420 | 1 | TEEPIECE |
| 38 | 637-63193 | 1 | INSTANT GA |
| 39 | 238-6016 | 2 | INSTANT GA |
| 40 | 710725A2 | 1 | TUBE ASSY |
| 41 | 355944A1 | 1 | VALVE |
| | ● 710725A3 (1) | | |
| 42 | 701-422 | 1 | TEEPIECE |
| 43 | 238-6011 | 2 | INSTANT GA |

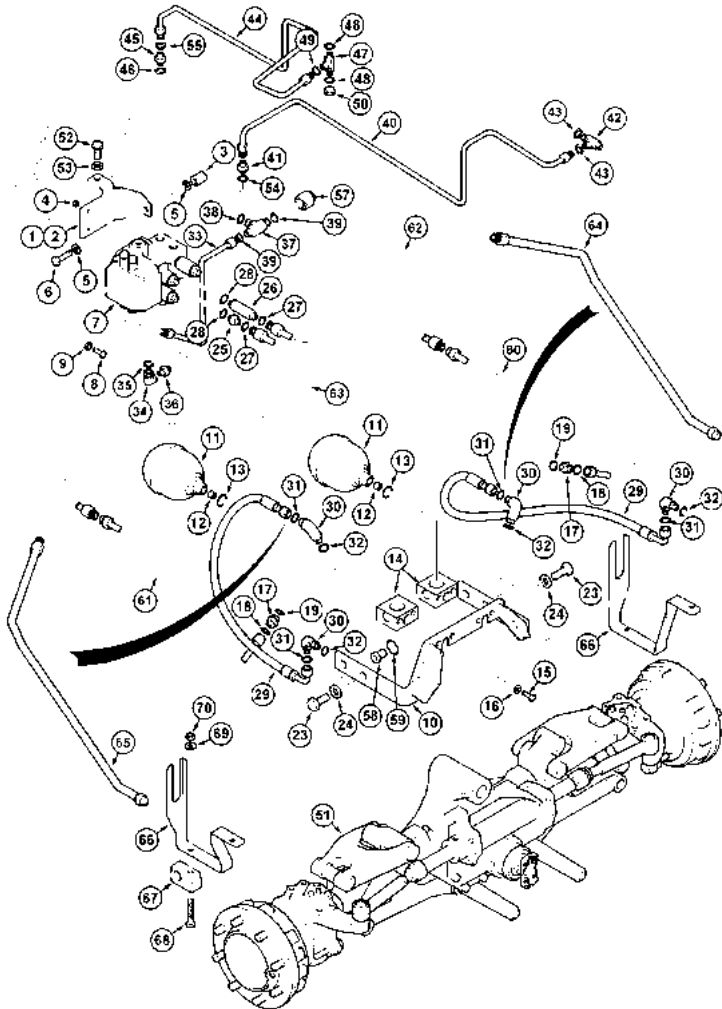
8 - Hydraulic System

8 -
045

FRONT AXLE HOSES AND CONNECTIONS - XTX185, XTX200

XTX Series XTX185, XTX200, XTX215 (2005-2007)

8045



- | | | | |
|----|-----------|---|------------|
| 44 | 710726A1 | 1 | TUBE ASSY |
| 45 | 338242A1 | 1 | UNION |
| 46 | 637-63153 | 1 | RING |
| 47 | 700-412 | 1 | TEEPIECE |
| 48 | 238-6014 | 2 | INSTANT GA |
| 49 | 637-63153 | 1 | RING |

Includes: 35

5/8 ID x 1/16

1/2 ID x 1/16

Includes: 54,55

5/16 ID x 1/16

Load Control

Includes: 31,32

Includes: 43

19,3 ID x 2,2 mm

15,3 ID x 2,2 mm

Includes: 38,39

Includes: 48,49

Includes: 46

#XTX200

#XTX185

B

CONTINUED

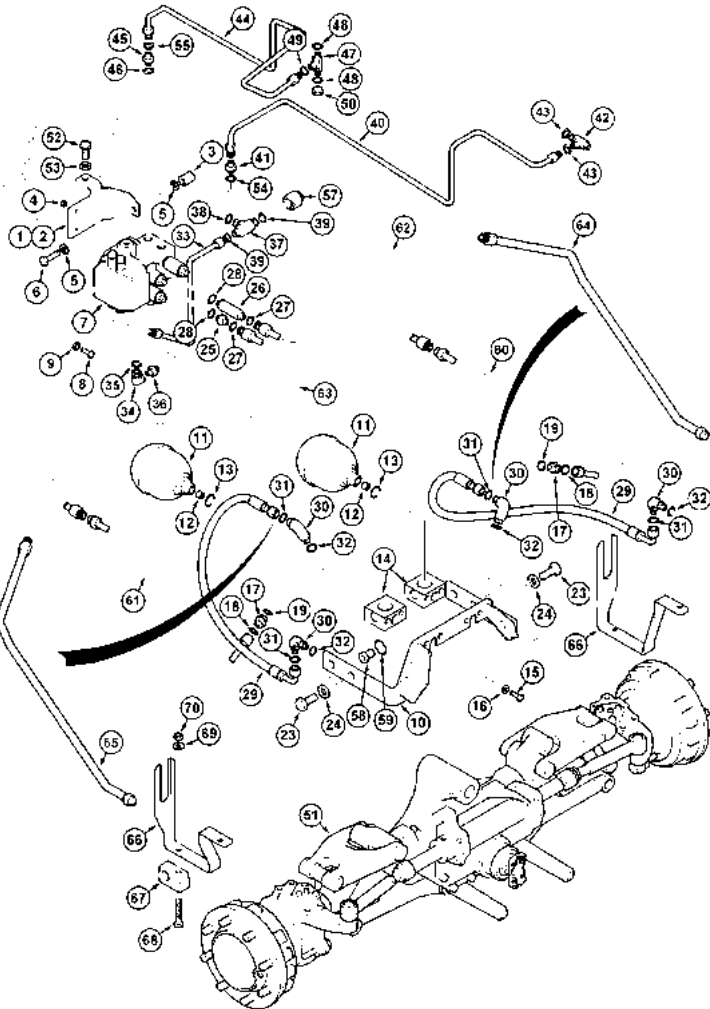
8 - Hydraulic System

8 -
047

FRONT AXLE HOSES AND CONNECTIONS - XTX185, XTX200

XTX Series XTX185, XTX200, XTX215 (2005-2007)

8047



50	701-905		1	CAP
51	327127A1		1	AXLE
51	711241A1		1	AXLE
52	627-16050		1	BOLT
53	896-11016	● 3019575X1 (1)	1	WASHER
54	637-63113		1	RING
55	238-6012		1	INSTANT GA
57	701-906		1	CAP
58	221578A1		2	PLUG
59	637-63153		1	RING
60	710719A1		1	TUBE ASSY
61	710720A1		1	TUBE ASSY
62	710723A2	● 710723A3 (1)	1	TUBE ASSY
63	710724A2	● 710724A3 (1)	1	TUBE ASSY

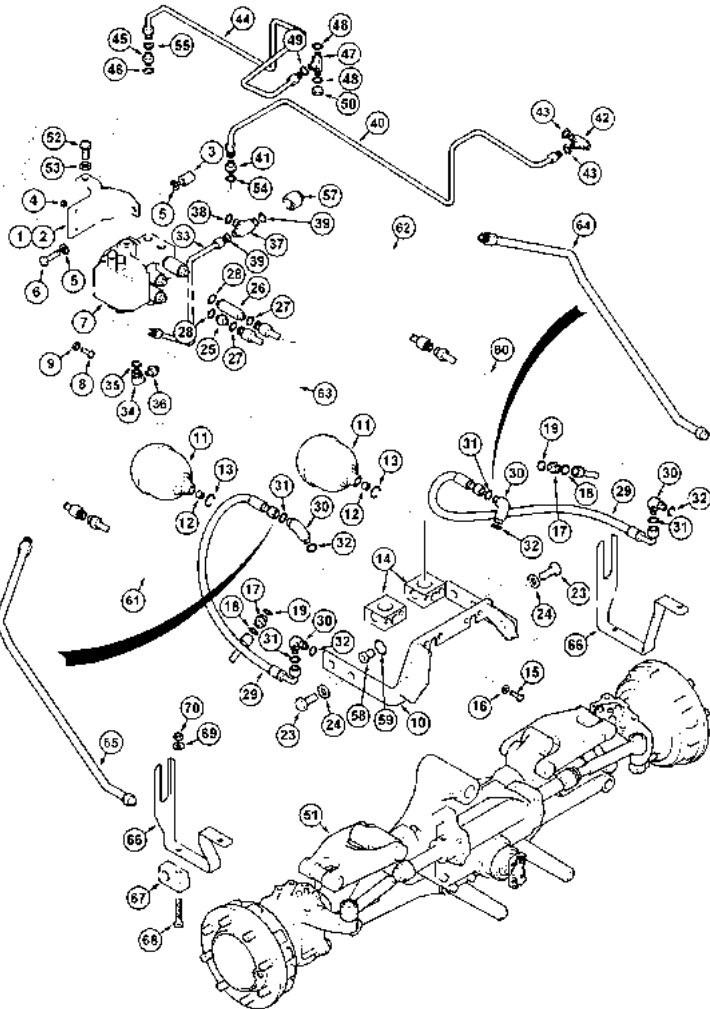
8 - Hydraulic System

8 -
047

FRONT AXLE HOSES AND CONNECTIONS - XTX185, XTX200

XTX Series XTX185, XTX200, XTX215 (2005-2007)

8047



- | | | | |
|----|-----------|---|-----------|
| 64 | 710738A1 | 1 | TUBE ASSY |
| 65 | 710739A1 | 1 | TUBE ASSY |
| 66 | 711017A1 | 1 | Bracket |
| 66 | 711101A1 | 1 | Bracket |
| 67 | T101170 | 2 | BRIDLE |
| 68 | 814-6040 | 2 | SCREW |
| 69 | 896-12006 | 2 | WASHER |
| 70 | 825-1306 | 2 | NUT |

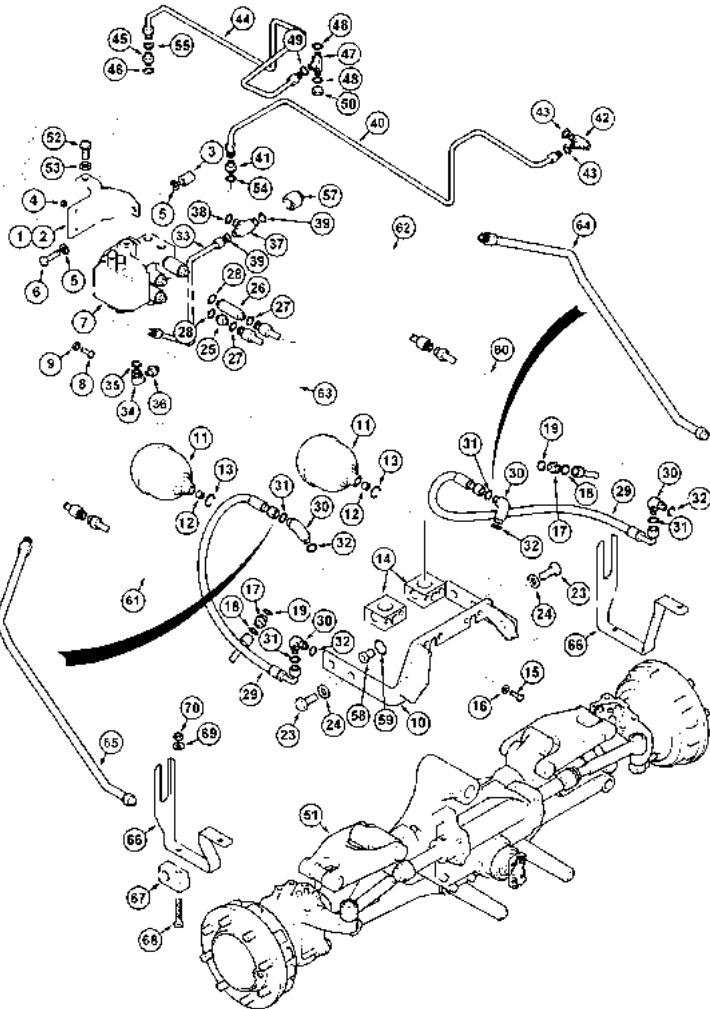
8 - Hydraulic System

8 -
047

FRONT AXLE HOSES AND CONNECTIONS - XTX185, XTX200

XTX Series XTX185, XTX200, XTX215 (2005-2007)

8047



Left

Right

M6; 8

17,5 x 30 x 4 mm

3/8 ID x 1/16

6,6 x 12,5 x 2 mm

11,3 ID x 2,2 mm

16 mm

M6 x 40; 8,8

15,3 ID x 2,2 mm

M18 - 1,5

M16 x 50; 10,9

20.25

Includes: 59

20.43

#XTX200

#XTX185

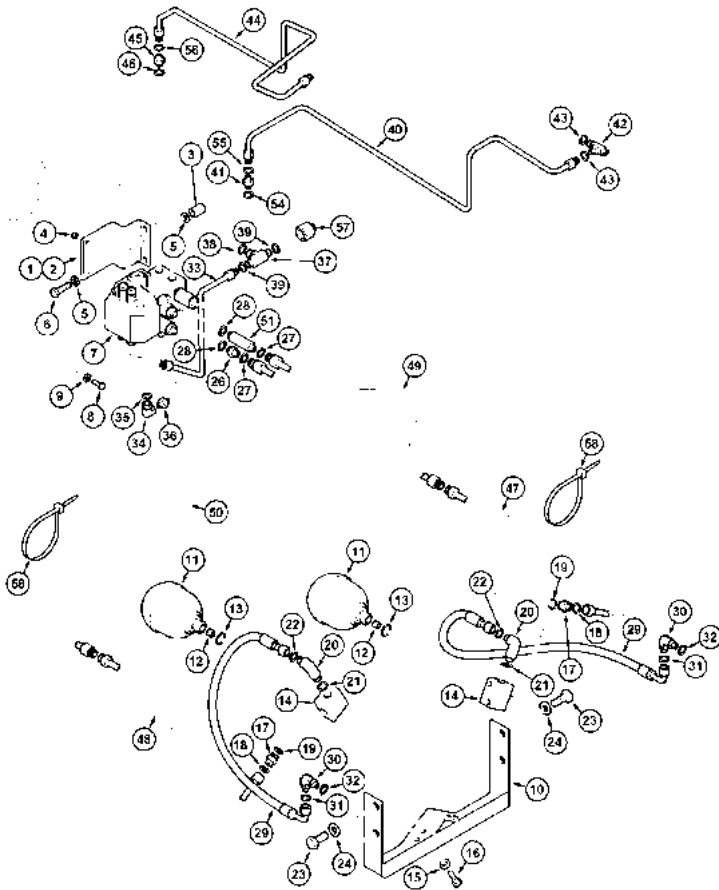
8 - Hydraulic System

8 -
049

FRONT AXLE HOSES AND CONNECTIONS - XTX215

XTX Series XTX185, XTX200, XTX215 (2005-2007)

8049



- | | | | | |
|----|-----------|------------------|---|--------------|
| 1 | 336423A1 | | 1 | Bracket Assy |
| 2 | NSS | | 1 | Bracket |
| 3 | NSS | | 1 | Spacer |
| 4 | NSS | | 2 | Nut |
| 5 | 896-11016 | ● 3019575X1 (2) | 2 | WASHER |
| 6 | 827-16150 | | 1 | BOLT |
| 7 | 452180A1 | ● 4213385M92 (1) | 1 | KIT |
| 8 | 864-10050 | | 2 | BOLT |
| 9 | 495-51041 | | 2 | WASHER |
| 10 | 327652A2 | | 1 | BRACE |
| 11 | 337042A1 | | 2 | COUPLER |
| 12 | 338544A1 | ● 337042A1 (1) | 1 | Plug |
| 13 | 340493A2 | | 2 | Ring, Seal |
| 14 | 327649A1 | | 2 | Block, Hyd |
| 15 | 896-11012 | ● 3667437M1 (4) | 4 | WASHER |
| 16 | 627-12025 | | 4 | BOLT |
| 17 | 700-102 | | 2 | COMPLIANCE |
| 18 | 238-6014 | | 1 | INSTANT GA |

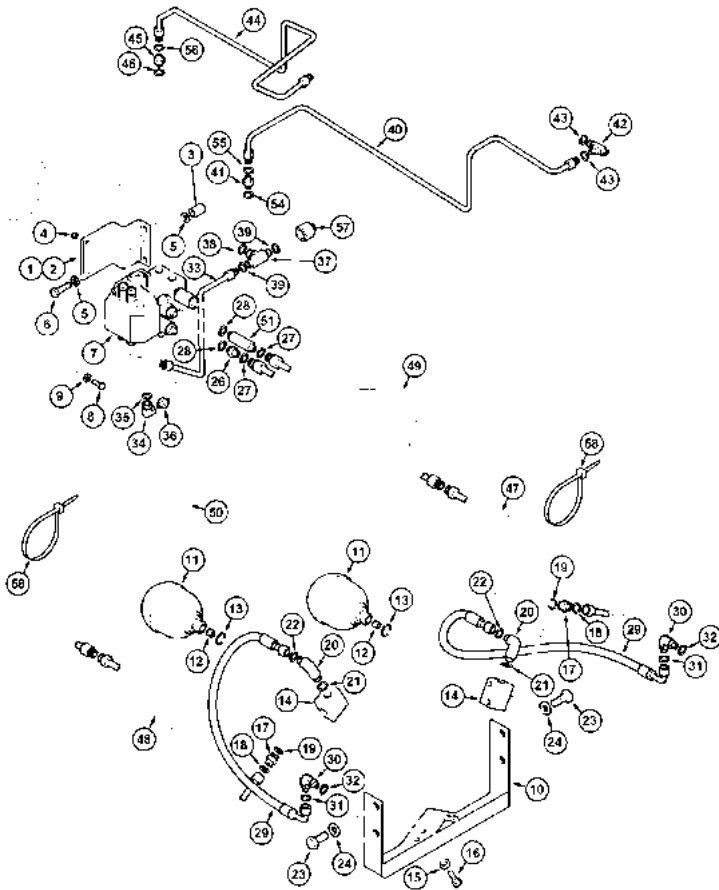
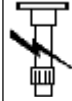
8 - Hydraulic System

8 -
049

FRONT AXLE HOSES AND CONNECTIONS - XTX215

XTX Series XTX185, XTX200, XTX215 (2005-2007)

8049



- 19 637-63153
- 20 700-381
- 21 637-63153
- 22 238-6014
- 23 627-20050
- 24 896-11020
- 26 700-103
- 27 238-6016
- 28 637-63193
- 29 368201A1
- 29 368202A1

- 1 RING
- 2 ANGLE
- 1 RING
- 1 INSTANT GA
- 4 BOLT
- 4 WASHER
- 0 COMPLIANCE
- 1 INSTANT GA
- 1 INSTANT GA
- 1 HOSE CLIP
- 1 HOSE CLIP

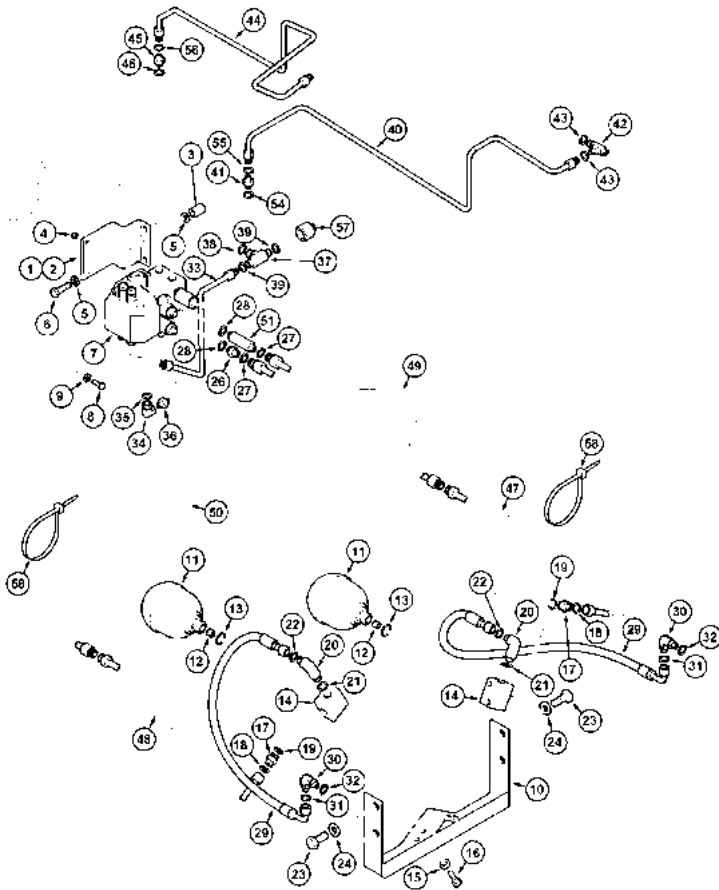
8 - Hydraulic System

8 -
049

FRONT AXLE HOSES AND CONNECTIONS - XTX215

XTX Series XTX185, XTX200, XTX215 (2005-2007)

8049



Left

Right

Includes: 12

Includes: 21,22

17,5 x 30 x 4 mm

5/8 ID x 1/16

See Page(s): 8-41

1/2 ID x 1/16

22 x 37 x 4 mm

M16 x 150; 10,9

13.5 mm

Includes: 2 - 4

Includes: 18,19

M20 x 50; 10.9

13/32 x 47/64 x 1/16

19,3 ID x 2,2 mm

Mounting

Includes: 27,28

15,3 ID x 2,2 mm

M12 x 25; 10,9

M10 x 50; 8.8

CONTINUED

B

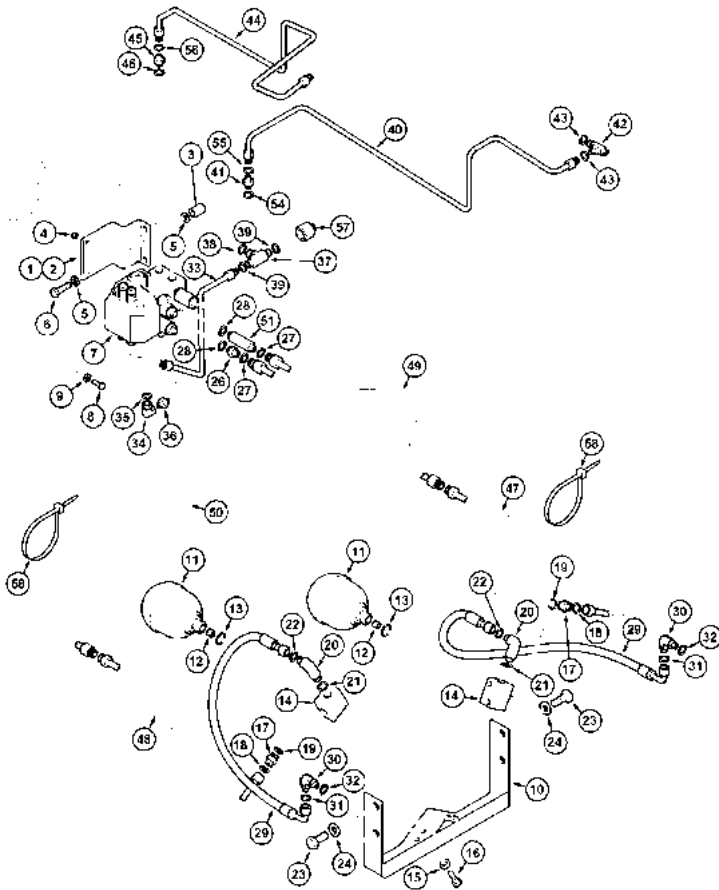
8 - Hydraulic System

8 -
051

FRONT AXLE HOSES AND CONNECTIONS - XTX215

XTX Series XTX185, XTX200, XTX215 (2005-2007)

8051



- | | | |
|----|-----------|--------------|
| 30 | 700-305 | 2 COMPLIANCE |
| 31 | 238-6014 | 1 INSTANT GA |
| 32 | 637-63153 | 1 RING |
| 33 | 710727A1 | 1 PIPE |
| 34 | 375914A1 | 1 Elbow |
| 35 | 637-63153 | 1 RING |
| 36 | 218-789 | 1 ADAPTOR |
| 37 | 700-403 | 1 TEEPIECE |
| 37 | 700-420 | 1 TEEPIECE |
| 38 | 637-63193 | 1 INSTANT GA |
| 39 | 238-6016 | 2 INSTANT GA |
| 40 | 710725A2 | 1 TUBE ASSY |
| 41 | 355944A1 | 1 VALVE |
| 42 | 701-422 | 1 TEEPIECE |
| 43 | 238-6011 | 2 INSTANT GA |
| 44 | 710726A1 | 1 TUBE ASSY |
| 45 | 338242A1 | 1 UNION |

● 710725A3 (1)

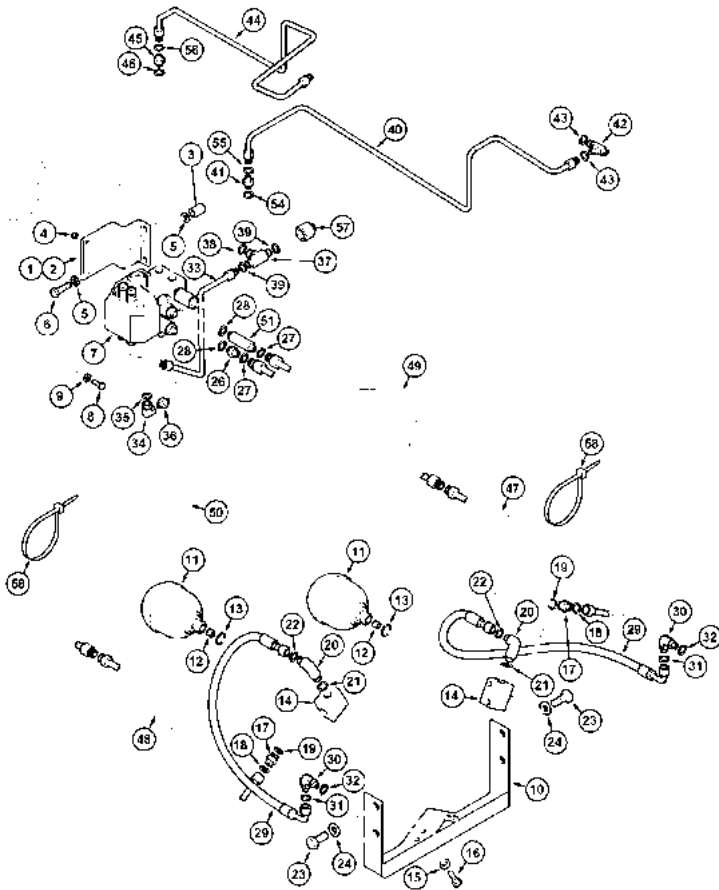
8 - Hydraulic System

8 -
051

FRONT AXLE HOSES AND CONNECTIONS - XTX215

XTX Series XTX185, XTX200, XTX215 (2005-2007)

8051



- | | | | | |
|----|-----------|----------------|---|------------|
| 46 | 637-63153 | | 1 | RING |
| 47 | 711672A1 | | 1 | TUBE ASSY |
| 48 | 711673A1 | | 1 | TUBE ASSY |
| 49 | 710723A2 | ● 710723A3 (1) | 1 | TUBE ASSY |
| 50 | 710724A2 | ● 710724A3 (1) | 1 | TUBE ASSY |
| 51 | 355713A1 | | 1 | CONNECTION |
| 54 | 637-63113 | | 1 | RING |
| 55 | 238-6012 | | 1 | INSTANT GA |
| 56 | 237-6008 | | 1 | INSTANT GA |
| 57 | 701-906 | | 1 | CAP |
| 58 | 306132C1 | | 2 | LOCK |

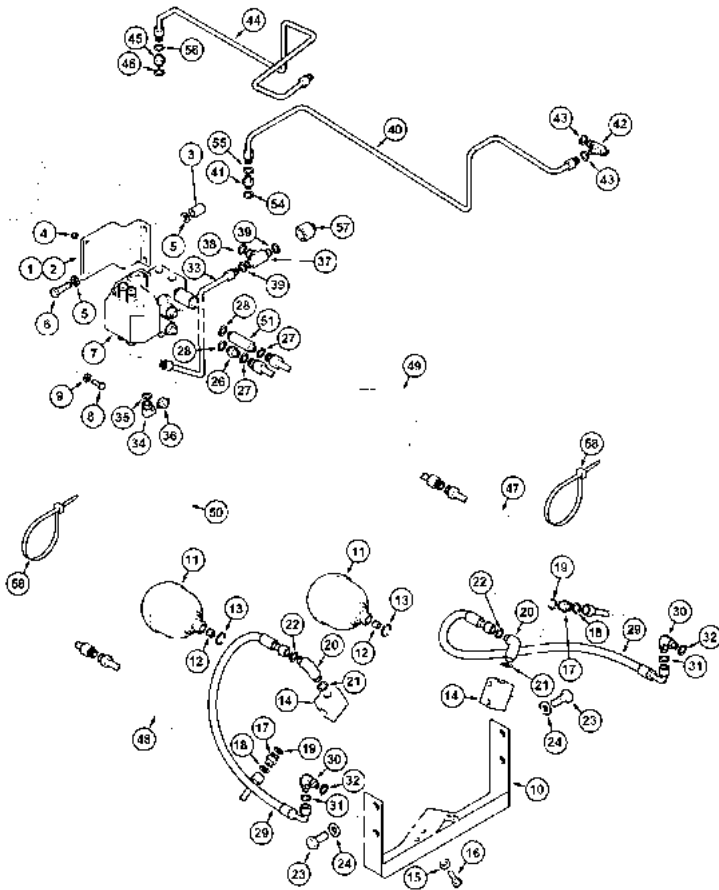
8 - Hydraulic System

8 -
051

FRONT AXLE HOSES AND CONNECTIONS - XTX215

XTX Series XTX185, XTX200, XTX215 (2005-2007)

8051



Left

Right

Includes: 35

41/64 ID x 3/32

14 in

5/8 ID x 1/16

3/8 ID x 1/16

11,3 ID x 2,2 mm

1/2 ID x 1/16

Includes: 54,55

5/16 ID x 1/16

Load Control

16 mm

Includes: 31,32

Includes: 43

19,3 ID x 2,2 mm

Includes: 27,28

15,3 ID x 2,2 mm

Includes: 38,39

Includes: 46

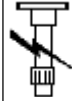
M18 x 1/2 in

8 - Hydraulic System

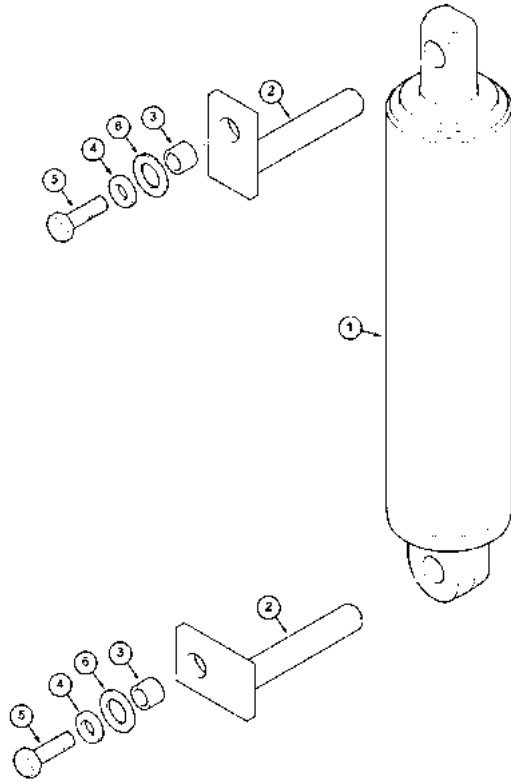
8 -
053

HITCH CYLINDER ASSEMBLY

XTX Series XTX185, XTX200, XTX215 (2005-2007)



8053



- | | | | | | |
|---|------------|---|-----------------|---|------------|
| 1 | 259575A3 | ● | 6510293M91 (1) | 1 | Cylinder |
| | | └ | 6510293M91
A | | |
| 1 | 600333A1 | ● | 715226A1 (1) | 1 | CYLINDER |
| 1 | 6510293M91 | └ | 259575A3
B | 1 | CYLINDER |
| 2 | 336714A1 | ● | 336714A2 (2) | 2 | CLEVIS PIN |
| 3 | 1965670C2 | ● | 3687792M2 (2) | 2 | DRIVING |
| 4 | 896-15012 | | | 2 | WASHER |
| 5 | 628-12035 | | | 1 | BOLT |
| 5 | 628-12040 | | | 1 | BOLT |
| 6 | 495-11081 | | | 2 | Washer |

M12 x 40; 10,9
See Page(s): 8-57
13,5 x 28 x 4 mm
See Page(s): 8-55
M12 x 35; 10,9
13/16 x 1-15/32 x 1/8
#XTX215
#XTX185, XTX200
└ ALTERNATIVE
A "CASCADE" TYPE
B "GIULIANI" TYPE

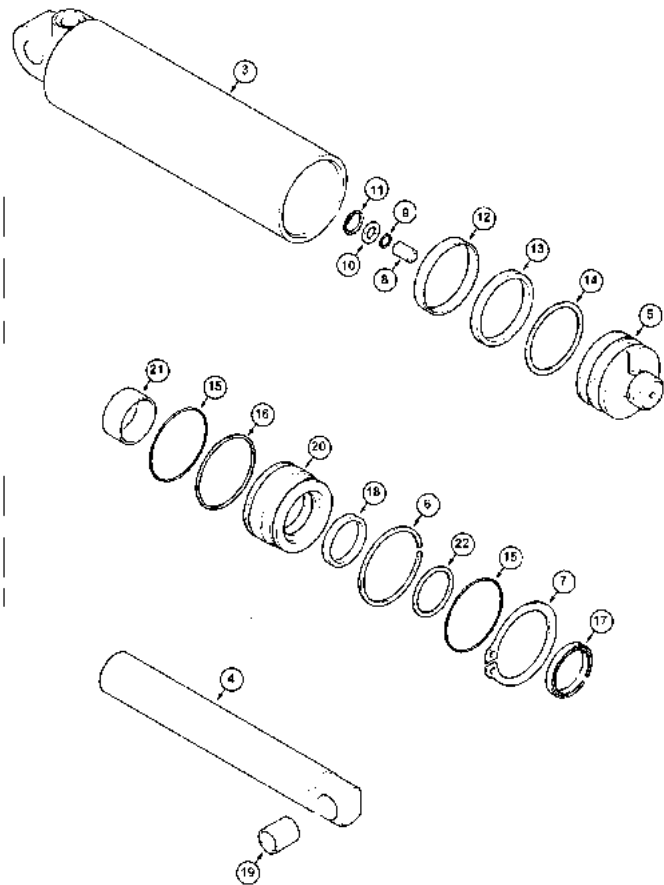
8 - Hydraulic System

8 -
055

HITCH CYLINDER ASSEMBLY - XTX185, XTX200

XTX Series XTX185, XTX200, XTX215 (2005-2007)

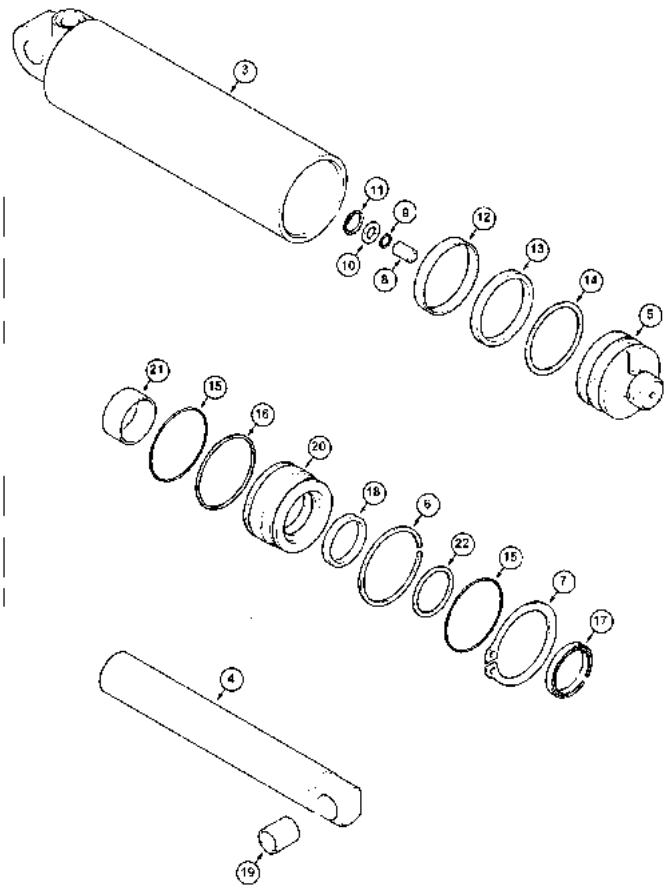
8055



1	259575A3	●	6510293M91 (1)	1	Cylinder
		⌋	6510293M91 A		
1	6510293M91	⌋	259575A3 B	1	CYLINDER
2	319248A2	A		0	KIT
2	6510294M91	B		0	KIT
3	338298A1	!	1 A	1	Cylinder Assy
4	338300A2	●	6510293M91 (1) ! 1 A	1	ROD
5	338302A1	!	1 A	1	PISTON
6	338304A1	!	1 A	1	Ring, Reta
7	338305A1	!	1 A	1	RING
8	338306A1	!	1 A	1	Valve, Check
9	338307A1	!	1 A	1	O-Ring
10	338308A1	!	1 A	1	LOCK WASHER
11	338309A1	!	1 A	1	RING
12	338310A1	!	1 A	1	Ring, Wear
13	338311A1	!	1 A	1	RING

XTX Series XTX185, XTX200, XTX215 (2005-2007)

8055



14	338312A1	!	1	1 RING
			A	
15	338313A1	!	1	2 O-Ring
			A	
16	338314A1	!	1	1 RING
			A	
17	338315A1	!	1	1 RING
			A	
18	338316A1	!	1	1 RING
			A	
19	356393A1	!	1	1 RING
			A	
20	357479A1	!	1	1 RETAINER
			A	
21	357480A1	!	1	1 BUSH
			A	
22	357473A1	!	1	1 RING
			A	

Consists Of: 2 - 22

Consists Of: 9,12 - 18,22

- ! THIS IS A COMPONENT OF AN ASSEMBLY
- └ ALTERNATIVE
- A "CASCADE" TYPE
- B "GIULIANI" TYPE

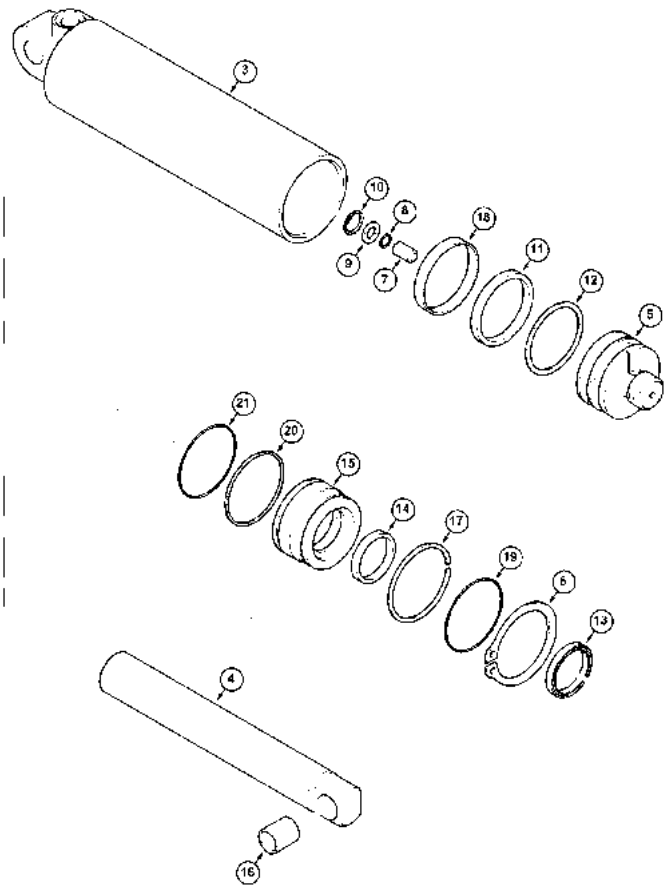
8 - Hydraulic System

8 -
057

HITCH CYLINDER ASSEMBLY - XTX215

XTX Series XTX185, XTX200, XTX215 (2005-2007)

8057



- | | | | | | |
|----|----------|---|--------------|---|---------------|
| 1 | 600333A1 | ● | 715226A1 (1) | 1 | CYLINDER |
| 2 | 709297A1 | | | 0 | Package, S |
| 3 | 709688A1 | ● | N.L.A. (1) | 1 | Cylinder Assy |
| 4 | 709689A1 | | | 1 | Rod |
| 5 | 709690A1 | | | 1 | Piston |
| 6 | 709691A1 | ● | 715606A1 (1) | 1 | Clip |
| 7 | 338306A1 | | | 1 | Valve, Check |
| 8 | 338307A1 | | | 1 | O-Ring |
| 9 | 338308A1 | | | 1 | LOCK WASHER |
| 10 | 338309A1 | | | 1 | RING |
| 11 | 709692A1 | | | 1 | Seal |
| 12 | 709693A1 | | | 1 | Ring |
| 13 | 338315A1 | | | 1 | RING |
| 14 | 338316A1 | | | 1 | RING |
| 15 | 709694A1 | ● | N.L.S. (1) | 1 | Retainer |
| 16 | 356393A1 | | | 1 | BUSH |
| 17 | 709695A1 | | | 1 | Ring, Reta |
| 18 | 709696A1 | | | 1 | Ring, Wear |
| 19 | 709697A1 | | | 1 | O-Ring |
| 20 | 709698A1 | | | 1 | Ring |
| 21 | 709699A1 | | | 1 | O-Ring |

Consists Of: 2 - 21

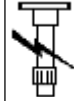
Consists Of: 8,11 - 14,18 - 21

8 - Hydraulic System

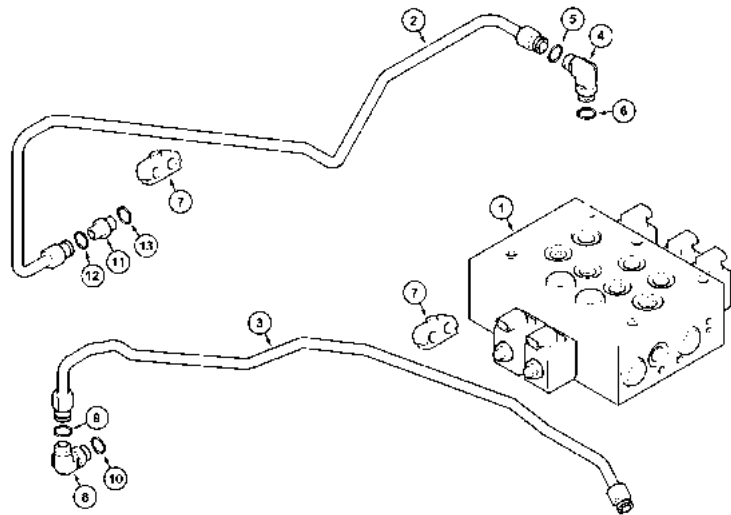
8 -
059

HYDRAULIC CIRCUIT - POWER TAKE OFF

XTX Series XTX185, XTX200, XTX215 (2005-2007)



8059



- | | | | |
|----|-----------|---|------------|
| 1 | 709030A2 | 1 | VALVE |
| 2 | 709571A1 | 1 | TUBE ASSY |
| 3 | 709711A3 | 1 | TUBE ASSY |
| 4 | 700-345 | 1 | ELBOW |
| 5 | 238-6016 | 1 | INSTANT GA |
| 6 | 637-63193 | 1 | INSTANT GA |
| 7 | 256553A1 | 2 | CLAMP |
| 8 | 700-305 | 1 | COMPLIANCE |
| 9 | 238-6014 | 1 | INSTANT GA |
| 10 | 637-63153 | 1 | RING |
| 11 | 700-106 | 1 | UNION |
| 12 | 238-6012 | 1 | INSTANT GA |
| 13 | 637-63153 | 1 | RING |

5/8 ID x 1/16

3/8 ID x 1/16

1/2 ID x 1/16

Includes: 5,6

Supply

Includes: 9,10

19,3 ID x 2,2 mm

15,3 ID x 2,2 mm

Includes: 12,13

A

LUBRICATION

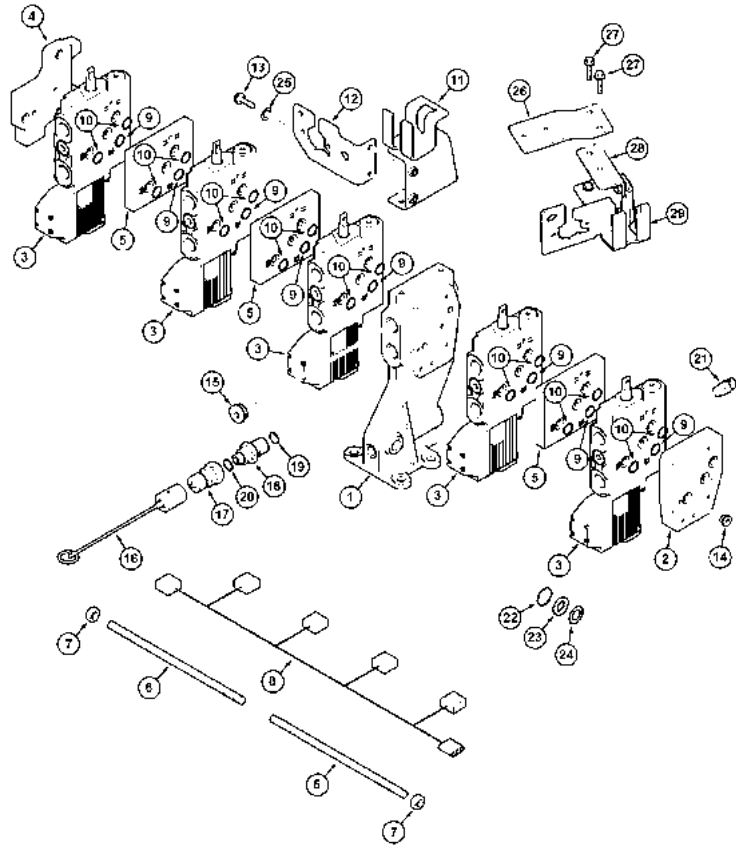
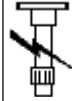
8 - Hydraulic System

8 -
061

REMOTE CONTROL VALVES - XTX-Eplus

XTX Series XTX185, XTX200, XTX215 (2005-2007)

8061



- | | | | | |
|----|-----------|----------------|---|--------------|
| 1 | 708825A2 | | 1 | BLOCK |
| 2 | 709944A2 | ● 709944A3 (1) | 1 | PLATE |
| 3 | 709938A1 | | 0 | VALVE |
| 4 | 709945A1 | | 1 | Cover |
| 5 | 709946A1 | | 0 | SPACER |
| 6 | 710322A1 | ● 713005A1 (3) | 3 | STUD |
| 6 | 710324A1 | | 3 | STUD |
| 6 | 710325A1 | | 3 | STUD |
| 7 | 829-1408 | | 6 | NUT |
| 8 | 710509A1 | | 1 | HARNESS |
| 9 | 710329A1 | | 2 | RING |
| 10 | 710330A1 | | 4 | RING |
| 11 | 708763A2 | | 1 | Bracket Assy |
| 12 | 708765A1 | | 1 | SUPPORT |
| 13 | 614-10020 | | 2 | BOLT |
| 14 | 221576A1 | | 2 | Plug |
| 15 | 221527A1 | | 2 | PLUG |
| 16 | 1533433C1 | | 1 | CAP |

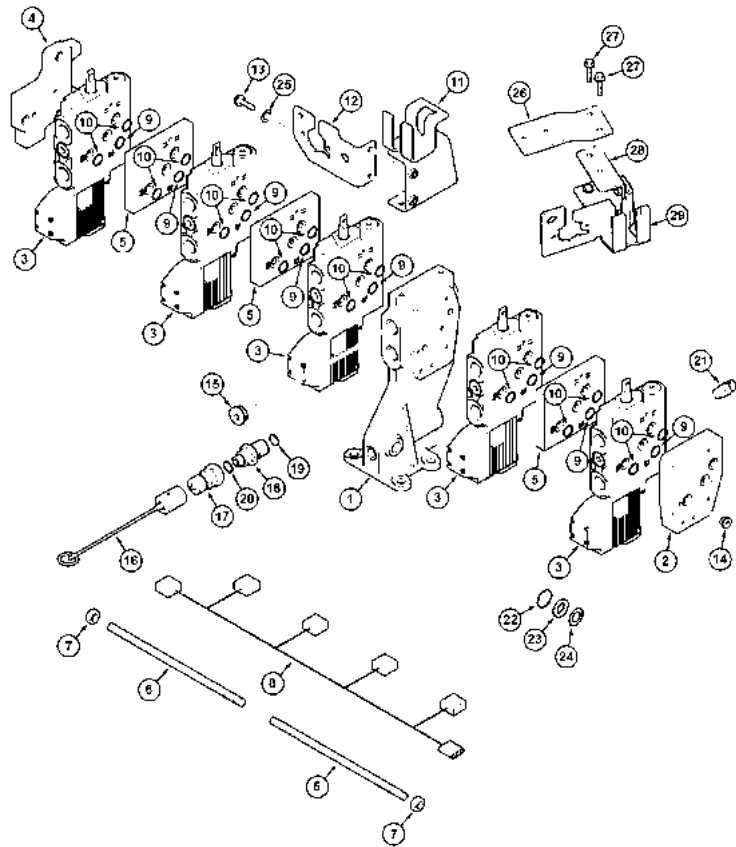
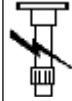
8 - Hydraulic System

8 -
061

REMOTE CONTROL VALVES - XTX-Eplus

XTX Series XTX185, XTX200, XTX215 (2005-2007)

8061



16	1954133C1	● 4205787M1 (1)	1	PLUG
17	1272400C1		1	ARMREST
17	1533232C1		1	ARMREST
18	711970A1		1	UNION
18	711971A1		1	UNION
19	238-6018		1	INSTANT GA
20	1533305C1		1	INSTANT GA
21	710385A1		1	CLAMP
22	710328A1		1	RING
23	710331A1		1	RING
24	710332A1		1	SHIM
25	895-11010		2	WASHER
26	712936A1		1	Bracket
27	844-10025		2	BOLT
28	712755A2	● 3687193M92 (1)	1	Bracket
29	712538A2		1	Bracket

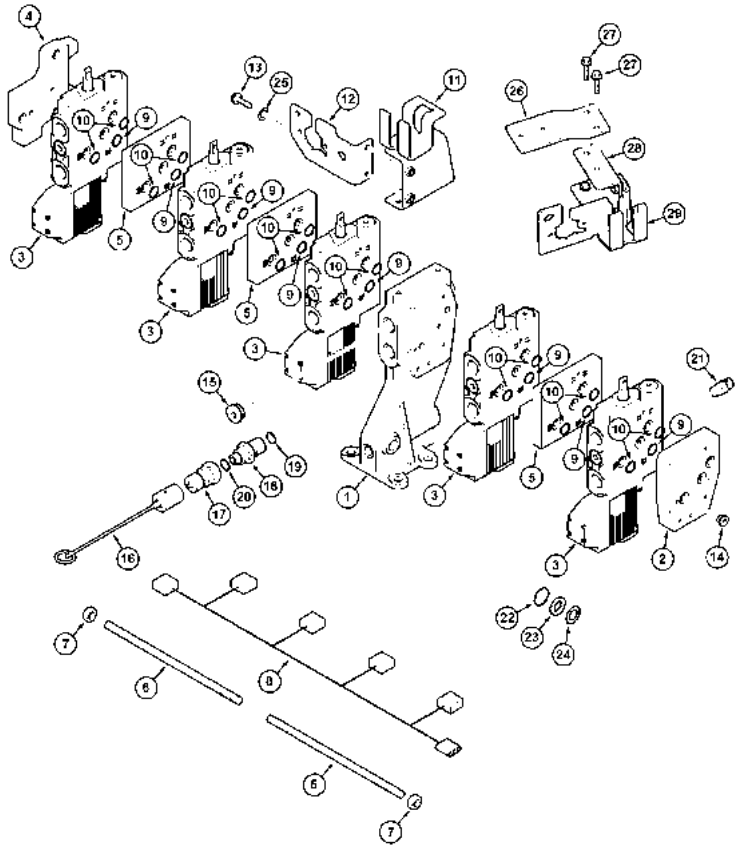
8 - Hydraulic System

8 -
061

REMOTE CONTROL VALVES - XTX-Eplus

XTX Series XTX185, XTX200, XTX215 (2005-2007)

8061



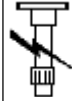
- M10 x 20; 8,8
- M8; 10
- Includes: 19,20
- 11 x 21 x 2 mm
- Europe Only
- N.A. Only
- M10 x 25; 8,8
- M14
- 3/4 ID x 1/16
- With Front Hitch
- BOSCH
- Valve: x 4
- 20 x 2.5 mm
- 18 x 2.5 mm
- M8 x 135
- M8 x 165
- M8 x 188
- Valve: x 5
- M33
- 6 x 1.5 mm

8 - Hydraulic System

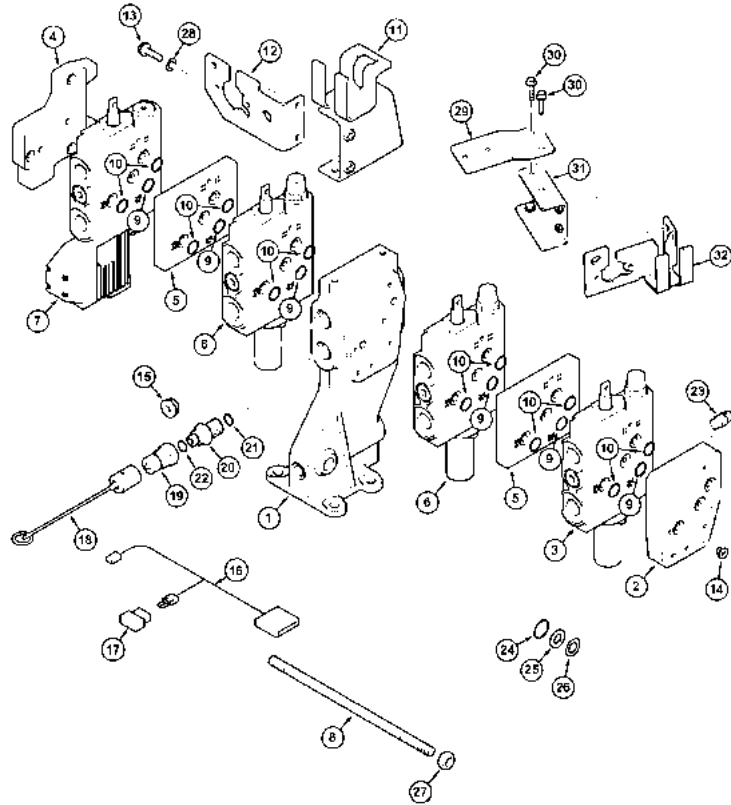
8 -
063

REMOTE CONTROL VALVES - XTX-M / XTX-E

XTX Series XTX185, XTX200, XTX215 (2005-2007)



8063



1	708825A2		1	BLOCK
2	709944A2	● 709944A3 (1)	1	PLATE
3	709940A1	● 709940A2 (0)	0	VALVE
4	701257A1		1	PLATE
4	709945A1		1	Cover
5	701270A1	● 6500177M91 (0)	0	SPACER
6	709943A1	● 709943A2 (2)	2	VALVE
7	709938A1		1	VALVE
8	710322A1	● 713005A1 (3)	3	STUD
8	710323A2		3	STUD
8	710324A1		3	STUD
9	710329A1		0	RING

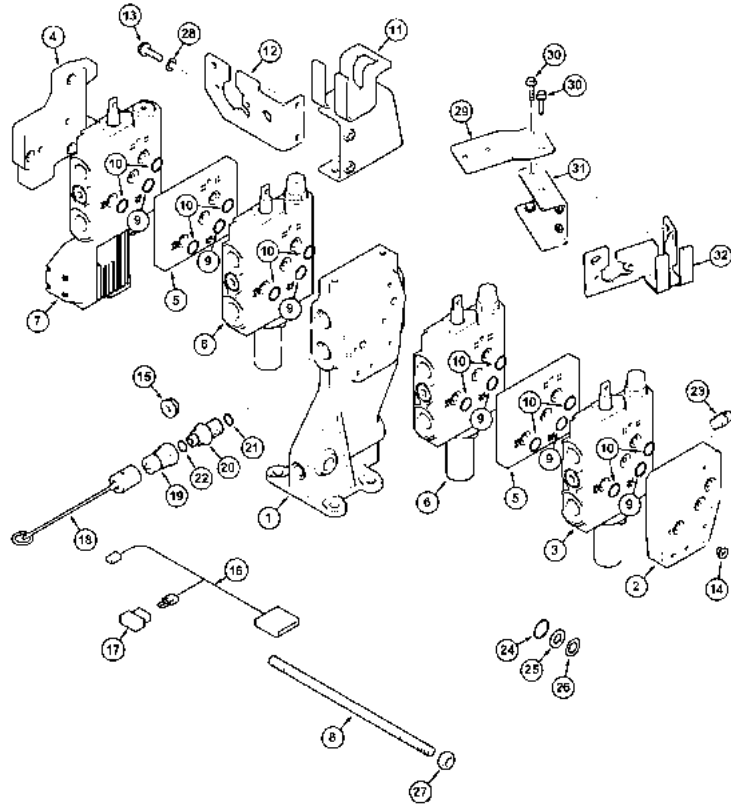
8 - Hydraulic System

8 -
063

REMOTE CONTROL VALVES - XTX-M / XTX-E

XTX Series XTX185, XTX200, XTX215 (2005-2007)

8063



- | | | | | |
|----|-----------|------------------|---|--------------|
| 10 | 710330A1 | | 0 | RING |
| 11 | 708763A2 | | 1 | Bracket Assy |
| 12 | 708765A1 | | 1 | SUPPORT |
| 13 | 614-10020 | | 2 | BOLT |
| 14 | 221576A1 | | 2 | Plug |
| 15 | 221527A1 | | 2 | PLUG |
| 16 | 701537A1 | ● 6508212M91 (1) | 1 | HARNESS |
| 17 | 701913A1 | | 2 | RESISTOR |
| 18 | 1533433C1 | | 1 | CAP |
| 18 | 1954133C1 | ● 4205787M1 (1) | 1 | PLUG |
| 19 | 1272400C1 | | 1 | ARMREST |
| 19 | 1533232C1 | | 1 | ARMREST |
| 20 | 711970A1 | | 1 | UNION |
| 20 | 711971A1 | | 1 | UNION |
| 21 | 238-6018 | | 1 | INSTANT GA |
| 22 | 1533305C1 | | 1 | INSTANT GA |

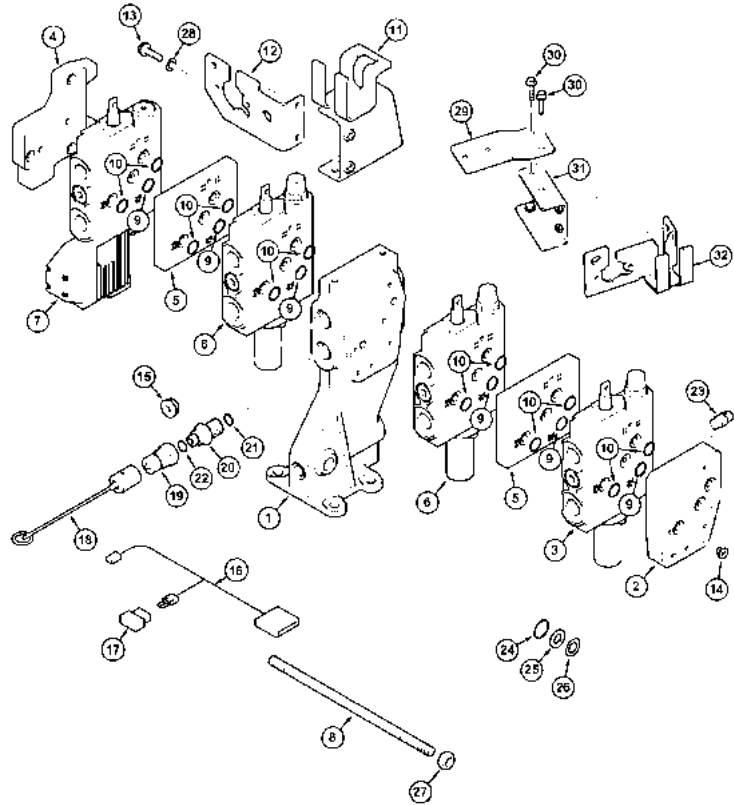
8 - Hydraulic System

8 -
063

REMOTE CONTROL VALVES - XTX-M / XTX-E

XTX Series XTX185, XTX200, XTX215 (2005-2007)

8063



M10 x 20; 8,8
Includes: 21,22
Europe Only
N.A. Only
M14
3/4 ID x 1/16
BOSCH
Valve: x 3
Priority
Valve: x 4
With Fourth Remote
Without Fourth Remote
20 x 2.5 mm
18 x 2.5 mm
M8 x 135
M8 x 165
M33
M8 x 88
CONTINUED

B

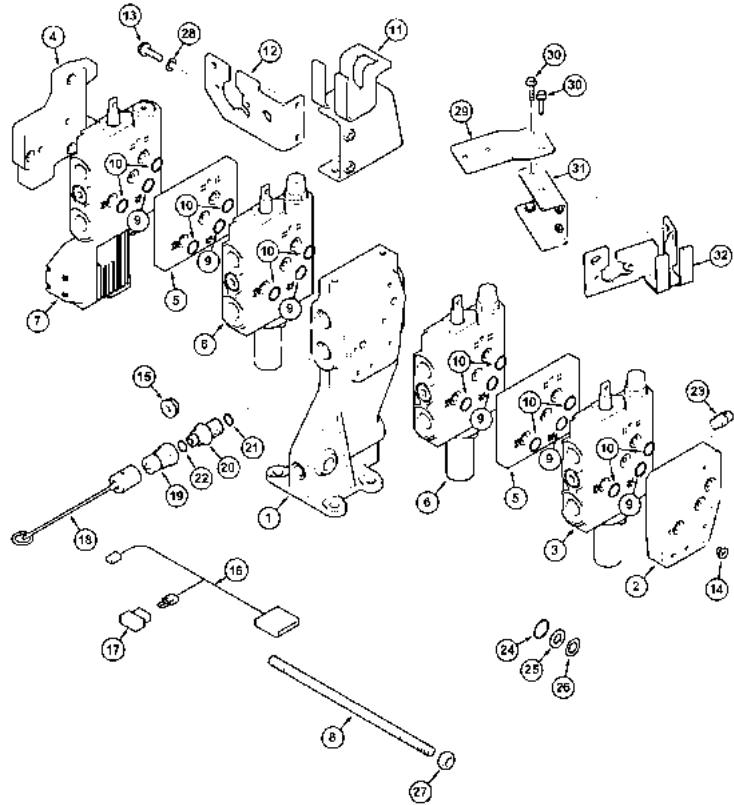
8 - Hydraulic System

8 -
065

REMOTE CONTROL VALVES - XTX-M / XTX-E

XTX Series XTX185, XTX200, XTX215 (2005-2007)

8065



- | | | | |
|----|-----------|---|---------|
| 23 | 710385A1 | 1 | CLAMP |
| 24 | 710328A1 | 4 | RING |
| 25 | 710331A1 | 4 | RING |
| 26 | 710332A1 | 6 | SHIM |
| 27 | 829-1408 | 0 | NUT |
| 28 | 895-11010 | 2 | WASHER |
| 29 | 712936A1 | 1 | Bracket |
| 30 | 844-10025 | 2 | BOLT |
| 31 | 712755A2 | 1 | Bracket |
| 32 | 712538A2 | 1 | Bracket |

● 3687193M92 (1)

M8; 10

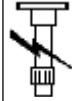
11 x 21 x 2 mm

M10 x 25; 8,8

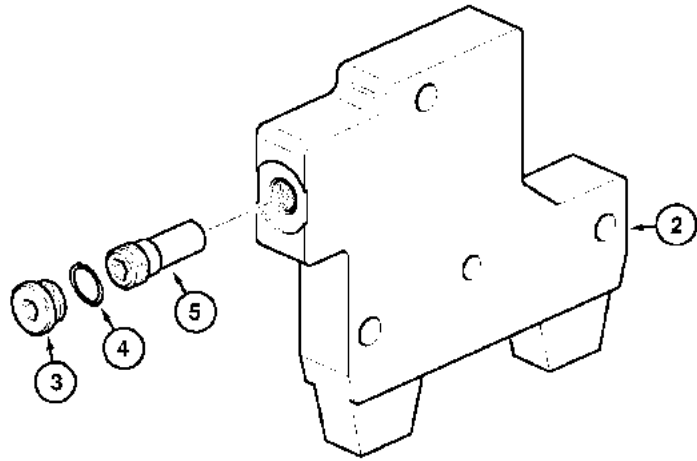
With Front Hitch

6 x 1.5 mm

XTX Series XTX185, XTX200, XTX215 (2005-2007)



8067



- | | | | | |
|---|----------|----------------|---|--------|
| 1 | 701257A1 | | 1 | PLATE |
| 2 | NSS | | 1 | Body |
| 3 | 709210A1 | | 1 | Plug |
| 4 | 709208A1 | ● 709208A2 (1) | 1 | O-Ring |
| 5 | 709209A1 | | 1 | Spool |

Consists Of: 2 - 5

BOSCH

Without Fourth Remote

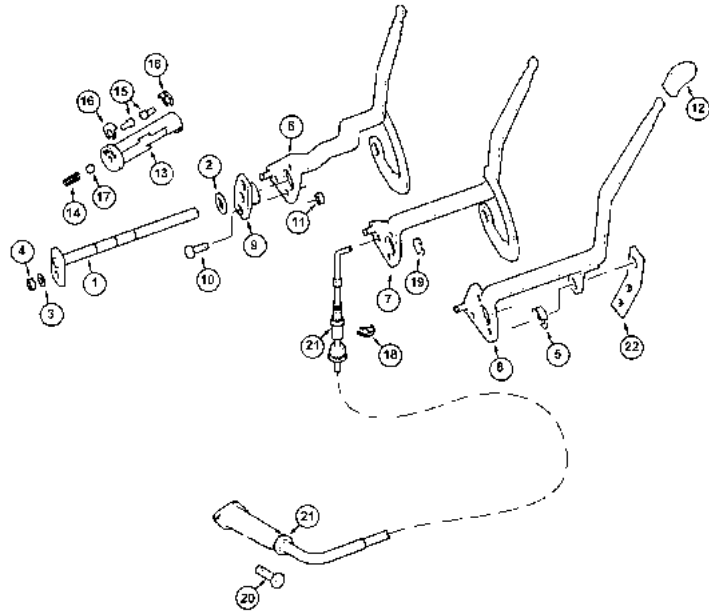
8 - Hydraulic System

8 -
069

REMOTE VALVE CONTROLS

XTX Series XTX185, XTX200, XTX215 (2005-2007)

8069



- | | | | | |
|----|-----------|-----------------|---|------------|
| 1 | 344818A1 | | 1 | SHAFT |
| 2 | 496-11053 | | 1 | WASHER |
| 3 | 895-11006 | ● 390971X1 (1) | 1 | WASHER |
| 4 | 829-1406 | | 1 | NUT |
| 5 | 240908A1 | | 1 | RING |
| 6 | 711026A1 | | 1 | Lever Assy |
| 7 | 711027A1 | | 1 | Lever Assy |
| 8 | 711028A1 | | 1 | Lever Assy |
| 9 | 175312A1 | | 3 | HUB |
| 10 | 614-6020 | ● 339666X1 (6) | 6 | BOLT |
| 11 | 832-10406 | ● 1441500X1 (6) | 6 | NUT FNS |
| 12 | 116756A1 | | 3 | GRIP |
| 12 | 177107A1 | | 3 | GRIP |
| 13 | 1530971C2 | | 1 | LOCK |
| 14 | 1531484C1 | | 3 | SPRING |
| 15 | T103011 | | 6 | CLEVIS PIN |
| 16 | 3221347R2 | | 6 | RING |
| 17 | 511-1060 | ● 1444586X1 (3) | 3 | BALL |
| 18 | 800-4313 | | 3 | RING |
| 19 | 800-436 | | 3 | RING |

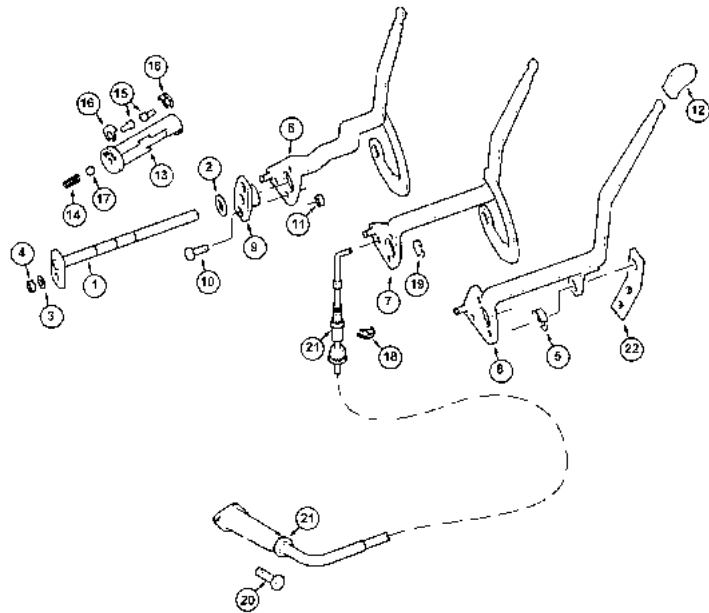
8 - Hydraulic System

8 -
069

REMOTE VALVE CONTROLS

XTX Series XTX185, XTX200, XTX215 (2005-2007)

8069



- | | | | | |
|----|-----------|----------------|---|-------|
| 20 | 877-30630 | | 6 | SCREW |
| 21 | 711258A1 | ● 711258A2 (3) | 3 | Cable |
| 22 | 344819A1 | | 1 | STRAP |
- 6,6 x 12 x 1,6 mm
M6; 8
6 mm
M6; 10
17/32 x 1-1/16 x 3/32
13 mm
M6 x 20; 8,8
6 x 30 mm
5 mm

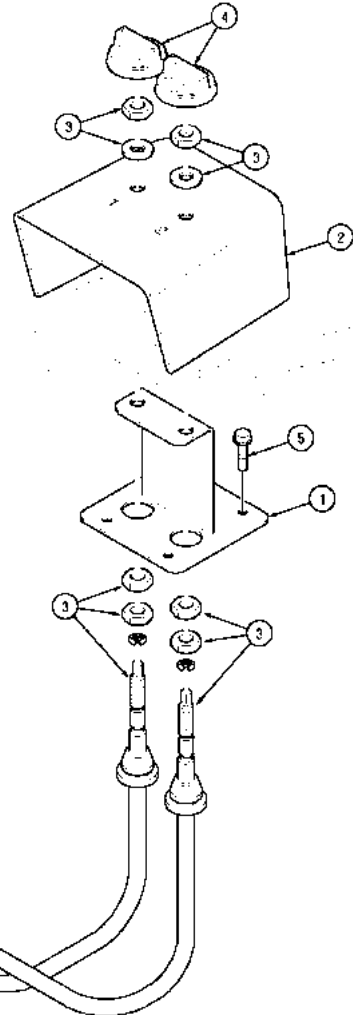
8 - Hydraulic System

8 -
071

INTERIOR REMOTE FLOW CONTROLS - If So Equipped

XTX Series XTX185, XTX200, XTX215 (2005-2007)

8071



- 1 313853A1
- 2 316793A2
- 3 249798A3
- 4 193168A2
- 5 781-24620

- 1 BRACE
- 1 COVER
- 2 CABLE
- 2 SLEEVE
- 4 SCREW

M6 x 20

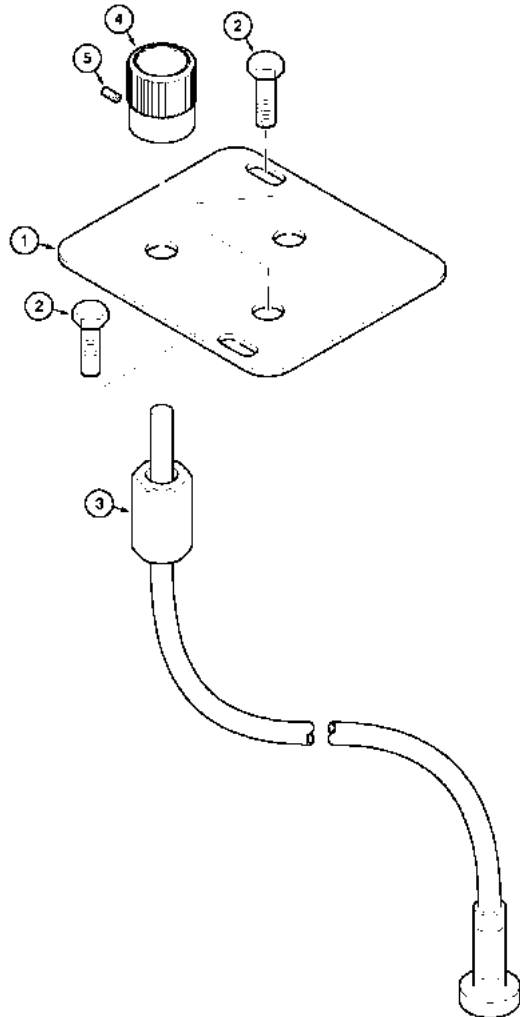
8 - Hydraulic System

8 -
073

INTERIOR REMOTE FLOW CONTROLS - If So Equipped

XTX Series XTX185, XTX200, XTX215 (2005-2007)

8073



- | | | | |
|---|-----------|---|-------|
| 1 | 702544A1 | 1 | PLATE |
| 2 | 781-24620 | 2 | SCREW |
| 3 | 702542A1 | 3 | CABLE |
| 4 | 702543A1 | 3 | KNOB |
| 5 | NSS | 1 | Screw |
| 6 | 702551A1 | 1 | DECAL |

Includes: 5

M6 x 20

770 mm

See Page(s): 9-175

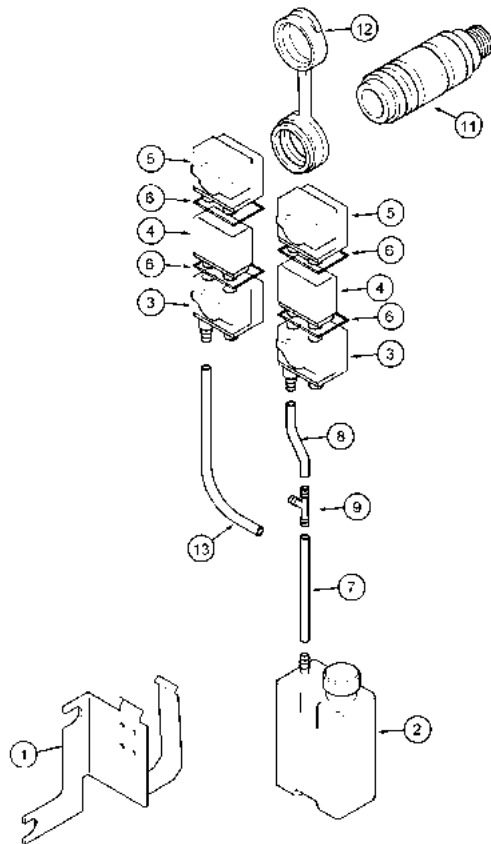
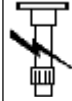
8 - Hydraulic System

8 -
075

HYDRAULIC COUPLINGS AND COLLECTORS - With 2 Remote Valves Only

XTX Series XTX185, XTX200, XTX215 (2005-2007)

8075



1	345002A1		1	BRACE
2	242278A1		1	TANK
3	243171A2		2	SEDIMENT BOWL
4	307550A1		2	HEAD REST
5	243174A2		2	SEDIMENT BOWL
6	284575A1		0	INSTANT GA
7	406277A2		1	HYDR HOSE
8	406275A2		1	HYDR HOSE
9	248632A1		1	UNION
11	257481A2	● 600017A1 (0)	0	ARMREST
11	302635A1	● N.L.A. (0)	0	COUPLING
11	313572A2		0	COUPLER
11	370508A1	● 313572A2 (0)	0	COUPLER
12	1954146C1		0	CAP
12	T104539	● 4205787M1 (0)	0	CAP
13	280378A2		1	HYDR HOSE

420 mm

Includes: 6

Optional

Europe Only

N.A. Only

215 mm

170 mm

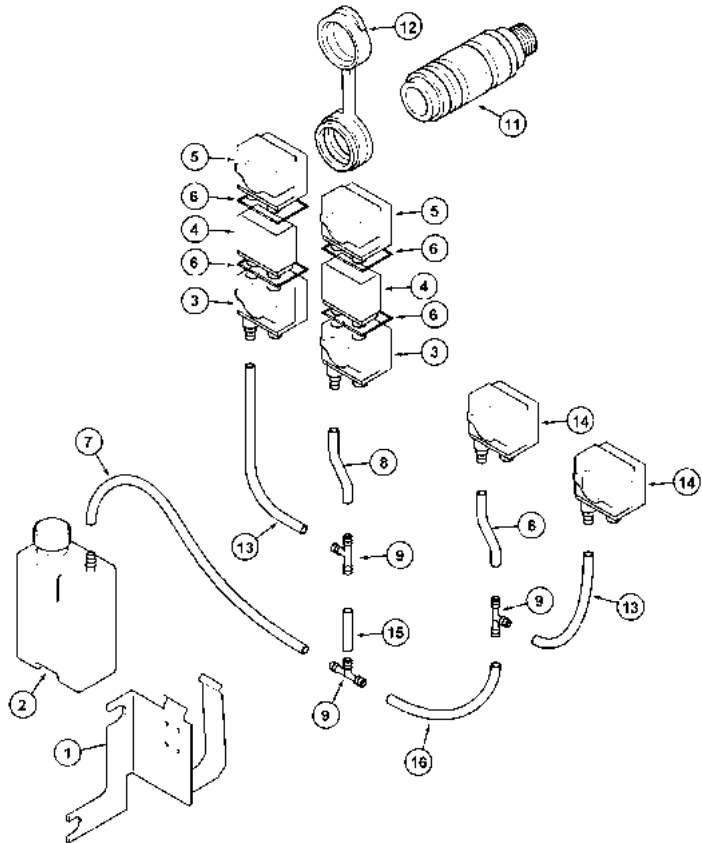
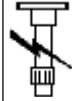
8 - Hydraulic System

8 -
077

HYDRAULIC COUPLINGS AND COLLECTORS - With 3 Remote Valves Only

XTX Series XTX185, XTX200, XTX215 (2005-2007)

8077



- | | | | | |
|----|-----------|-----------------|---|---------------|
| 1 | 345002A1 | | 1 | BRACE |
| 2 | 242278A1 | | 1 | TANK |
| 3 | 243171A2 | | 2 | SEDIMENT BOWL |
| 4 | 307550A1 | | 2 | HEAD REST |
| 5 | 243174A2 | | 2 | SEDIMENT BOWL |
| 6 | 284575A1 | | 0 | INSTANT GA |
| 7 | 406276A2 | | 1 | HOSE |
| 8 | 406275A2 | | 2 | HYDR HOSE |
| 9 | 248632A1 | | 3 | UNION |
| 11 | 257481A2 | ● 600017A1 (0) | 0 | ARMREST |
| 11 | 313572A2 | | 0 | COUPLER |
| 11 | 370508A1 | ● 313572A2 (0) | 0 | COUPLER |
| 12 | 1954146C1 | | 0 | CAP |
| 12 | T104539 | ● 4205787M1 (0) | 0 | CAP |
| 13 | 280378A2 | | 2 | HYDR HOSE |
| 14 | 302470A1 | | 2 | TRAP |
| 15 | 246036A2 | | 1 | HYDR HOSE |
| 16 | 280377A2 | | 1 | HYDR HOSE |

100 mm

420 mm

Includes: 6

Optional

Europe Only

N.A. Only

215 mm

290 mm

170 mm

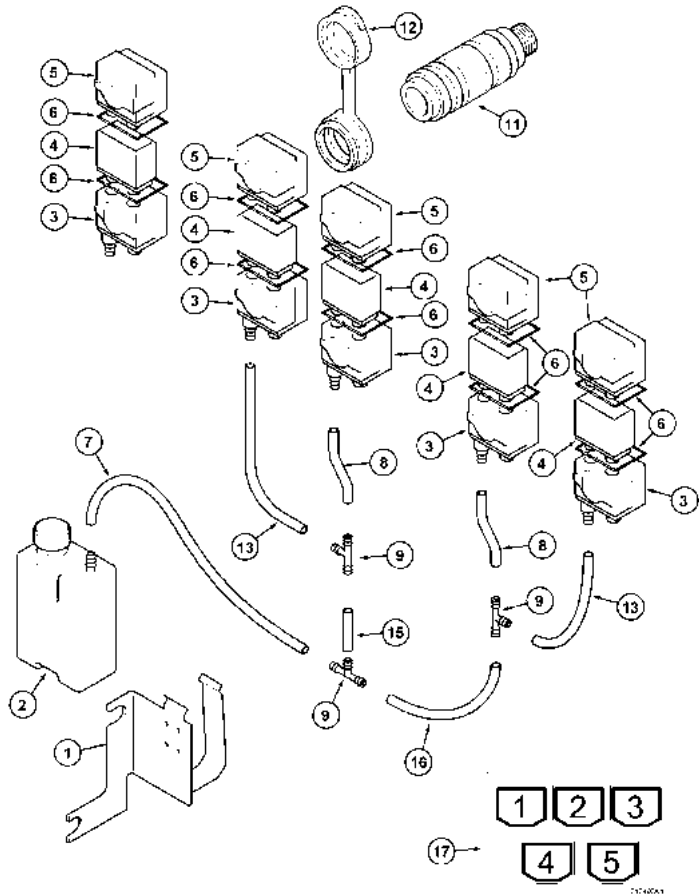
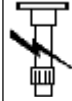
8 - Hydraulic System

8 -
079

HYDRAULIC COUPLINGS AND COLLECTORS

XTX Series XTX185, XTX200, XTX215 (2005-2007)

8079



- | | | | | |
|----|-----------|-----------------|---|---------------|
| 1 | 345002A1 | | 1 | BRACE |
| 2 | 242278A1 | | 1 | TANK |
| 3 | 243171A2 | | 5 | SEDIMENT BOWL |
| 4 | 307550A1 | | 5 | HEAD REST |
| 5 | 243174A2 | | 5 | SEDIMENT BOWL |
| 6 | 284575A1 | | 0 | INSTANT GA |
| 7 | 406276A2 | | 0 | HOSE |
| 8 | 406275A2 | | 0 | HYDR HOSE |
| 9 | 248632A1 | | 3 | UNION |
| 11 | 297907A1 | ● 297907A3 (0) | 0 | REMOVER |
| 11 | 600016A1 | ● 714123A2 (0) | 0 | ARMREST |
| 12 | 1954146C1 | | 0 | CAP |
| 12 | T104539 | ● 4205787M1 (0) | 0 | CAP |
| 13 | 280378A2 | | 0 | HYDR HOSE |
| 13 | 712280A1 | | 0 | HOSE |
| 15 | 246036A2 | | 0 | HYDR HOSE |
| 16 | 280377A2 | | 0 | HYDR HOSE |
| 17 | 712493A1 | ● 712493A2 (1) | 1 | DECAL |

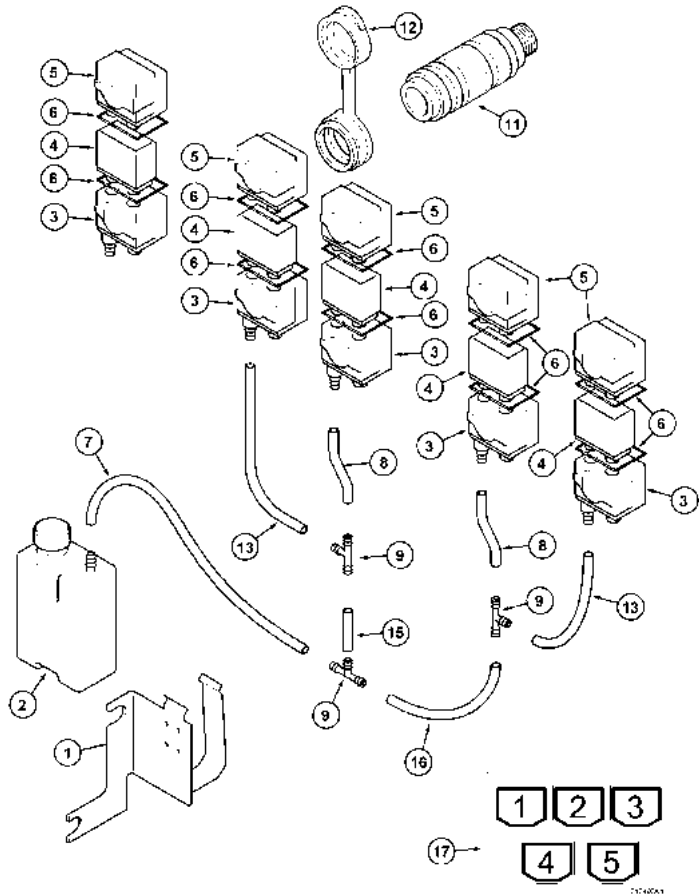
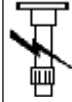
8 - Hydraulic System

8 -
079

HYDRAULIC COUPLINGS AND COLLECTORS

XTX Series XTX185, XTX200, XTX215 (2005-2007)

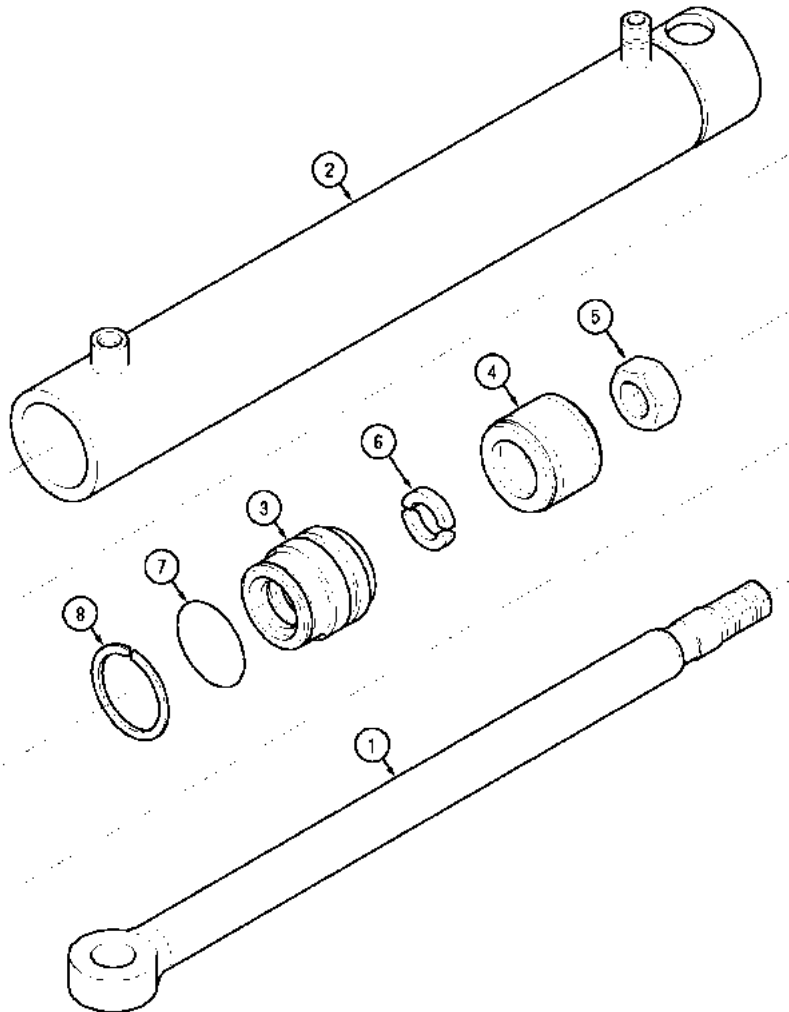
8079



- 100 mm
- 420 mm
- Includes: 6
- Europe Only
- N.A. Only
- 215 mm
- 290 mm
- 170 mm
- Faster
- 740 mm
- GREEN: 1
- RED: 2
- BLUE: 3
- ORANGE: 4
- BLACK: 5

XTX Series XTX185, XTX200, XTX215 (2005-2007)

8081



- | | | | |
|---|-----------|---|-------------|
| 1 | 295897A1 | 1 | CYLINDER |
| 1 | 295901A1 | 1 | Rod, Piston |
| 2 | 295902A1 | 1 | Tube, Cyli |
| 3 | 295903A1 | 1 | Guide |
| 4 | 295904A1 | 1 | Piston |
| 5 | 829-13424 | 1 | Nut |
| 6 | 295907A1 | 1 | Ring |
| 7 | 295934A1 | 1 | Ring, Reta |
| 8 | 800-1160 | 1 | RING |
| 9 | 295921A1 | 1 | Package, S |

M24: 10

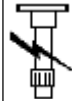
6 x 4 mm

Consists Of: 295901A1,2 - 9

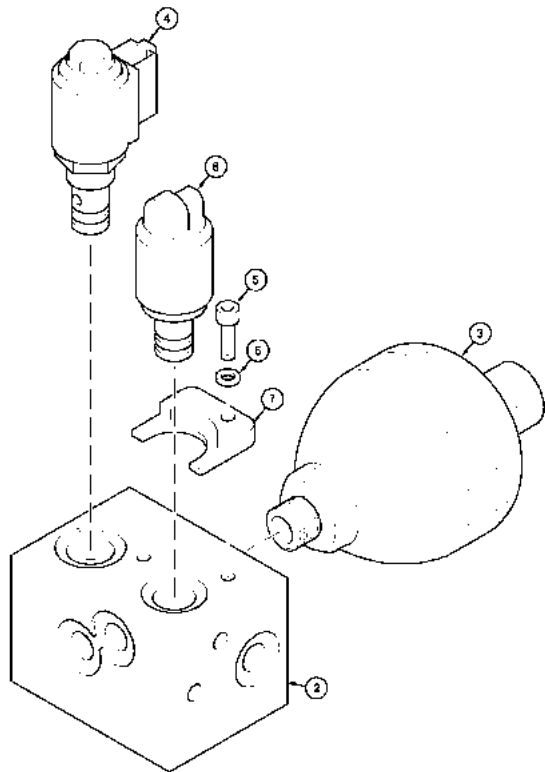
A

NOT ILLUSTRATED

XTX Series XTX185, XTX200, XTX215 (2005-2007)



8083



- | | | | | |
|---|----------|----------------|---|--------------|
| 1 | 708306A1 | | 1 | Manifold |
| 2 | 708304A1 | | 1 | Control Assy |
| 3 | 706882A1 | ● 706882A2 (1) | 1 | Accumulator |
| 4 | 708305A1 | | 1 | SENSOR |
| 5 | 706877A1 | | 1 | Screw |
| 6 | 706878A1 | | 1 | Washer |
| 7 | 706879A1 | | 1 | Clamp |
| 8 | 706880A1 | | 1 | Cartridge |

Consists Of: 3 - 8

Cab Suspension

Includes: 4 - 8

8 - Hydraulic System

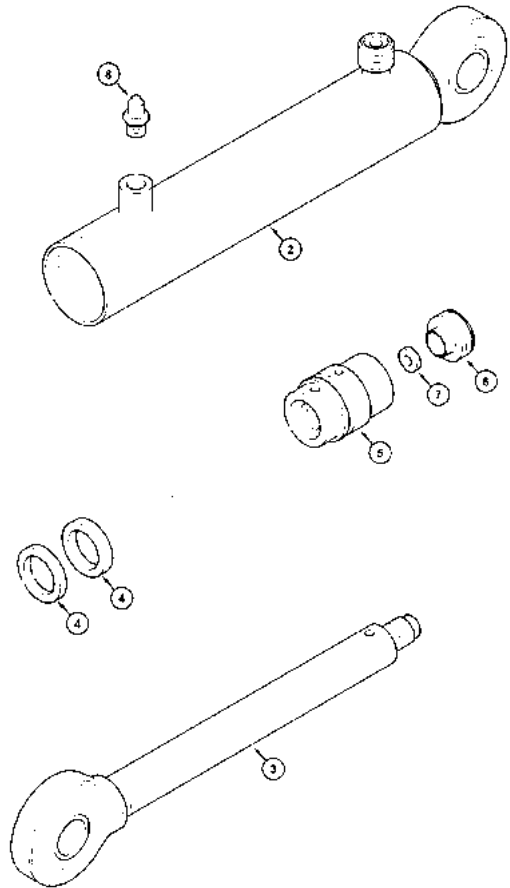
8 -
085

CYLINDER ASSEMBLY - CAB SUSPENSION

XTX Series XTX185, XTX200, XTX215 (2005-2007)



8085



- | | | | | |
|---|----------|------------------|---|------------|
| 1 | 705441A1 | ● 6504409M91 (1) | 1 | CYLINDER |
| 2 | 706516A1 | | 1 | Tube Assy |
| 3 | 706517A1 | | 1 | Rod Assy |
| 4 | 706518A1 | | 1 | Package, S |
| 5 | 706519A1 | | 1 | Guide |
| 6 | 706520A1 | | 1 | Piston |
| 7 | 706521A1 | | 1 | Gland, Cyl |
| 8 | 711885A1 | | 1 | SCREW |

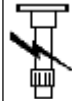
Consists Of: 2 - 8
Cab Suspension

8 - Hydraulic System

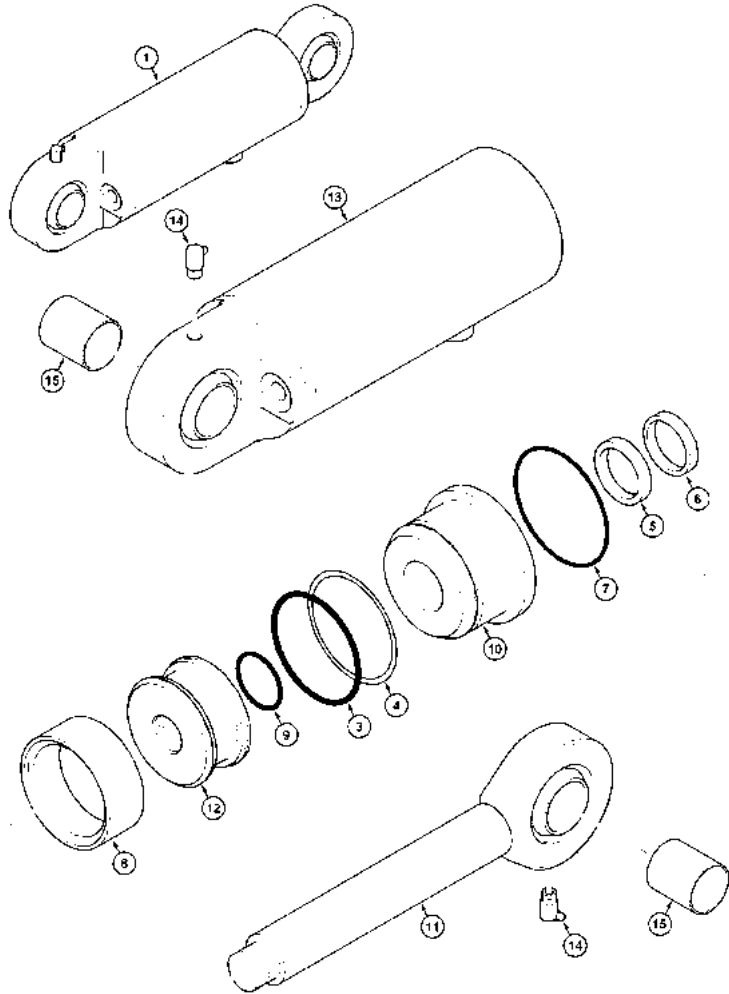
8 -
087

CYLINDER ASSEMBLY - FRONT HITCH

XTX Series XTX185, XTX200, XTX215 (2005-2007)



8087



- | | | | | |
|----|----------|--------------|---|---------------|
| 1 | 712037A1 | | 2 | Cylinder Assy |
| 2 | 713545A1 | | 1 | Package, S |
| 3 | 713537A1 | ● N.L.S. (1) | 1 | O-Ring |
| 4 | 713538A1 | ● N.L.S. (1) | 1 | Ring, Backup |
| 5 | 713539A1 | ● N.L.S. (1) | 1 | Seal |
| 6 | 713540A1 | ● N.L.S. (1) | 1 | Seal, Wiper |
| 7 | 713541A1 | ● N.L.S. (1) | 1 | O-Ring |
| 8 | 713533A1 | ● N.L.S. (1) | 1 | Seal |
| 9 | 713536A1 | ● N.L.S. (1) | 1 | O-Ring |
| 10 | 713544A1 | | 1 | Gland, Cyl |
| 11 | NSS | | 1 | Rod Assy |
| 12 | 713546A1 | | 1 | PISTON |
| 13 | NSS | | 1 | Tube, Cyl |
| 14 | 713542A1 | | 2 | Fitting, G |
| 15 | 713543A1 | ● N.L.S. (2) | 2 | Bushing |

40 mm

Consists Of: 2 - 15

90 mm

Consists Of: 3 - 9

3500kg

78.4 mm

Piston

A

NOT ILLUSTRATED

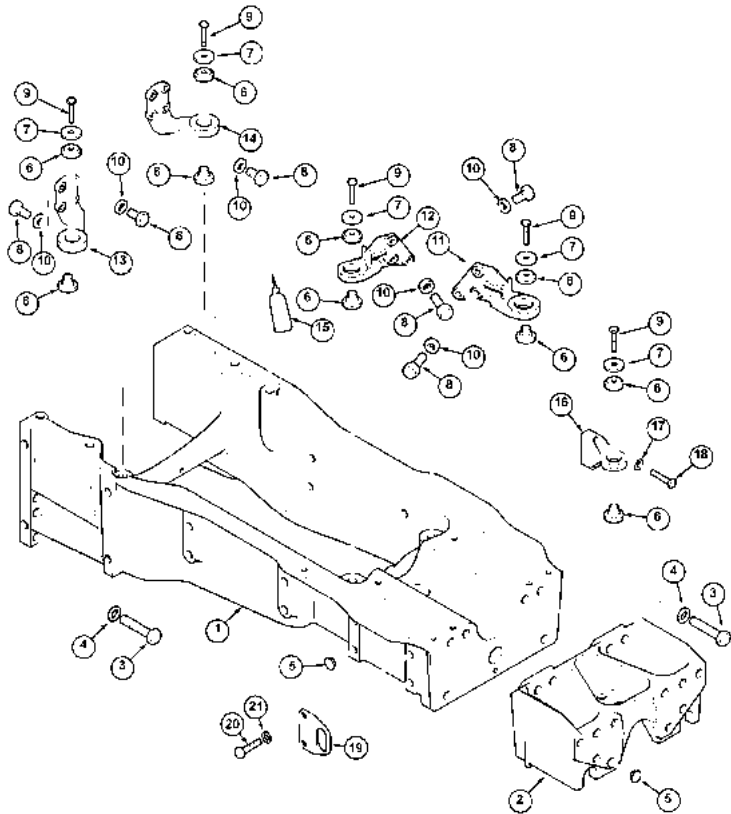
9 - Chassis / Attachments

9 -
003

FRONT FRAME

XTX Series XTX185, XTX200, XTX215 (2005-2007)

9003



- | | | | | |
|----|-----------|------------------|----|--------------|
| 1 | 701384A1 | XTX215 TIER 2 | 1 | SUPPORT |
| 1 | 711647A1 | ● 339608X1 (1) | 1 | SUPPORT |
| | | 4220867M91 (1) | | |
| | | 4220840M93 (1) | | |
| | | 4220863M3 (1) | | |
| 1 | 715340A1 | XTX215 TIER3 | 1 | SUPPORT |
| 2 | 235327A2 | | 1 | STRAP |
| 3 | 828-20090 | | 18 | BOLT |
| 4 | 896-11020 | | 18 | WASHER |
| 5 | 1531047C1 | | 34 | PLUG |
| 6 | 175903A3 | ● 6512320M91 (4) | 4 | SUPPORT |
| 7 | 186977A1 | | 4 | WASHER |
| 8 | 628-12040 | | 14 | BOLT |
| 9 | 828-16100 | | 4 | BOLT |
| 10 | 896-12012 | | 14 | WASHER |
| 11 | 701849A1 | ● 701849A2 (1) | 1 | Bracket Assy |
| 12 | 701850A1 | ● 701850A2 (1) | 1 | Bracket Assy |

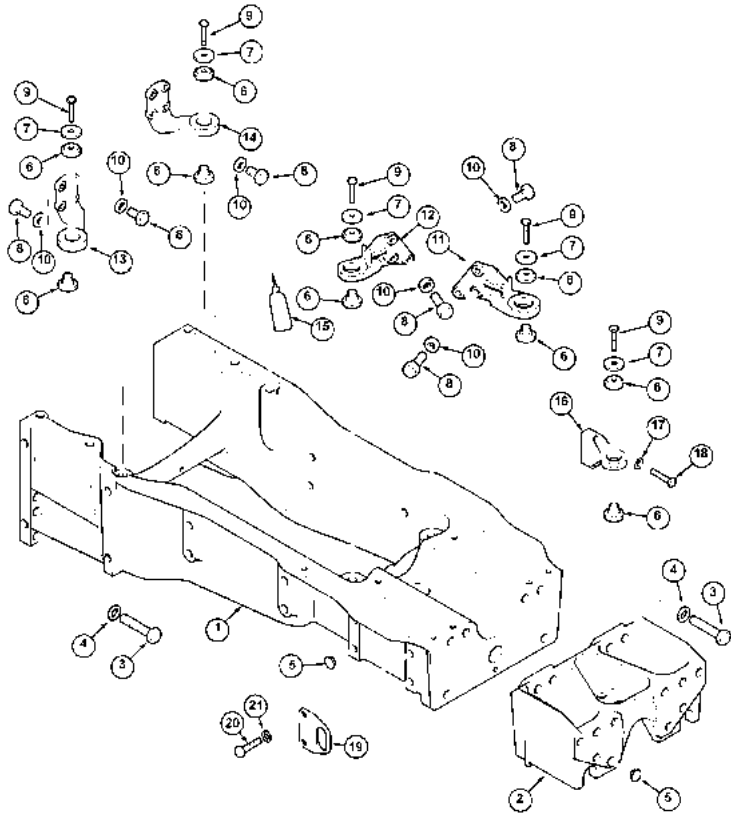
9 - Chassis / Attachments

9 -
003

FRONT FRAME

XTX Series XTX185, XTX200, XTX215 (2005-2007)

9003



- | | | | | | |
|----|-----------|---|---------------|---|--------------|
| 13 | 701853A2 | ● | 701853A3 (1) | 1 | Bracket Assy |
| 14 | 701854A2 | ● | 701854A3 (1) | 1 | Bracket Assy |
| 15 | 345-49 | | | 0 | ADHESIVE |
| 16 | 701393A1 | | | 2 | STIRRUP |
| 17 | 896-11012 | ● | 3667437M1 (4) | 4 | WASHER |
| 18 | 828-12070 | | | 4 | BOLT |
| 19 | 705537A1 | | | 2 | Bracket |
| 20 | 627-20040 | | | 4 | BOLT |
| 21 | 896-11020 | | | 4 | WASHER |

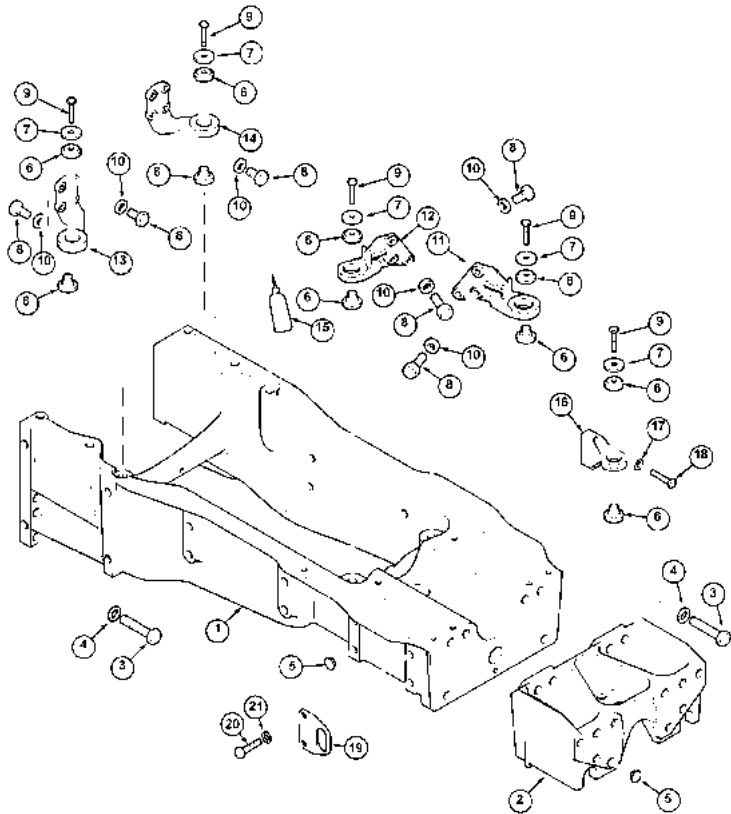
9 - Chassis / Attachments

9 -
003

FRONT FRAME

XTX Series XTX185, XTX200, XTX215 (2005-2007)

9003



- Left
- Right
- N.A. Only
- 1 ml
- 13,5 x 24 x 3 mm
- M12 x 40; 10,9
- 22 x 37 x 4 mm
- 13.5 mm
- M20 x 40; 10,9
- M12 x 70; 10,9
- WEIGHT
- M20 x 90; 10,9
- 18,4 mm
- 70 x 16,5 x 4,5 mm
- M16 x 100; 10,9
- #XTX215
- #XTX185, XTX200
- D FRONT
- Y REAR

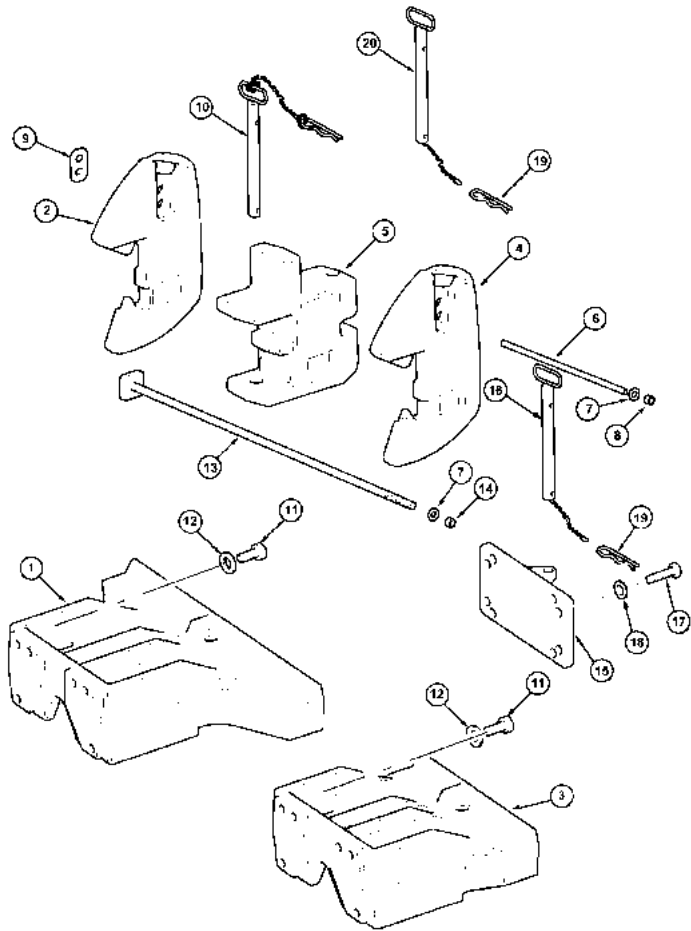
9 - Chassis / Attachments

9 -
005

FRONT WEIGHTS

XTX Series XTX185, XTX200, XTX215 (2005-2007)

9005



- | | | | | | |
|----|-----------|---|----------------|----|--------------|
| 1 | 366847A1 | ● | 366847A3 (1) | 1 | STRAP |
| 2 | 413308A1 | ● | 413308A1C (16) | 16 | WEIGHT |
| 3 | 366845A1 | | | 1 | STRAP |
| 4 | 413308A1 | ● | 413308A1C (10) | 10 | WEIGHT |
| 5 | 428710A1 | ● | 6503642M1 (1) | 1 | CLEVIS |
| 6 | 366761A1 | ● | 433711A1 (1) | 1 | CYLINDER ROD |
| 7 | 896-16016 | | | 1 | WASHER |
| 8 | 829-1416 | | | 1 | NUT |
| 9 | 229483A2 | | | 1 | RETAINER |
| 10 | 368197A1 | | | 1 | TRACK |
| 11 | 827-20090 | | | 6 | BOLT |
| 12 | 896-11020 | | | 6 | WASHER |
| 13 | 434131A1 | | | 1 | ROD |
| 13 | 434132A1 | | | 1 | CYLINDER ROD |

9 - Chassis / Attachments

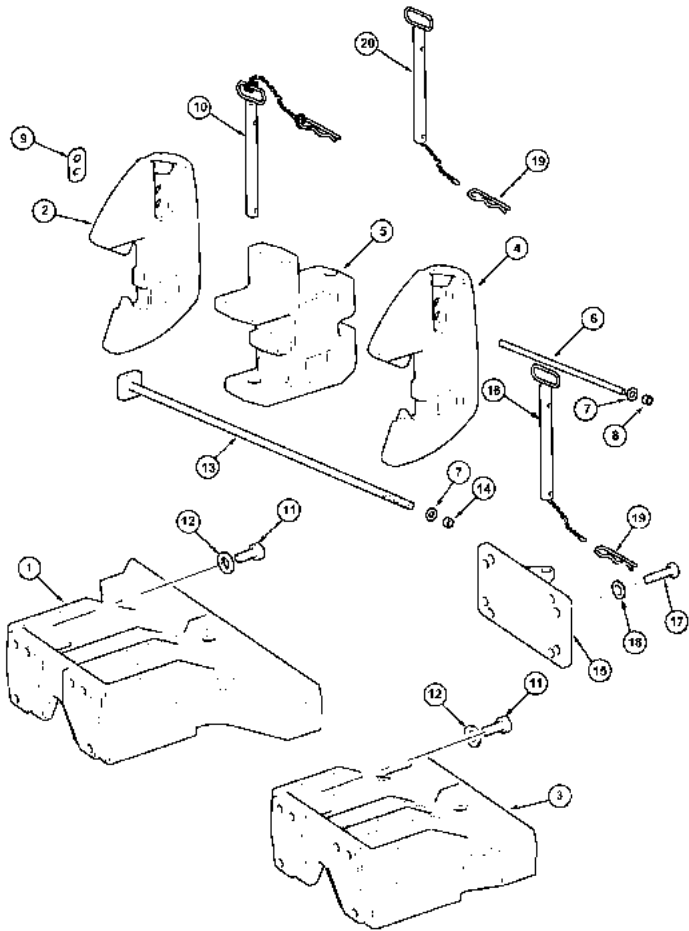
9 -
005

FRONT WEIGHTS



9005

XTX Series XTX185, XTX200, XTX215 (2005-2007)



- 14 832-10416
- 15 396363A1
- 16 700176A1
- 17 614-20050
- 18 896-11020
- 19 198121A1
- 20 700175A1

- 1 NUT FNS
- 1 BRACE
- 1 Pin Assy
- 4 BOLT
- 4 WASHER
- 0 TIE
- 1 PIN

If So Equipped

M16; 8

M16; 10

45kg (100lb)

M20 x 90; 10.9

530 mm

17,5 x 34 x 5 mm

Zinc

M20 x 50; 8,8

22 x 37 x 4 mm

Weight: 10

113kg

Weight: 16

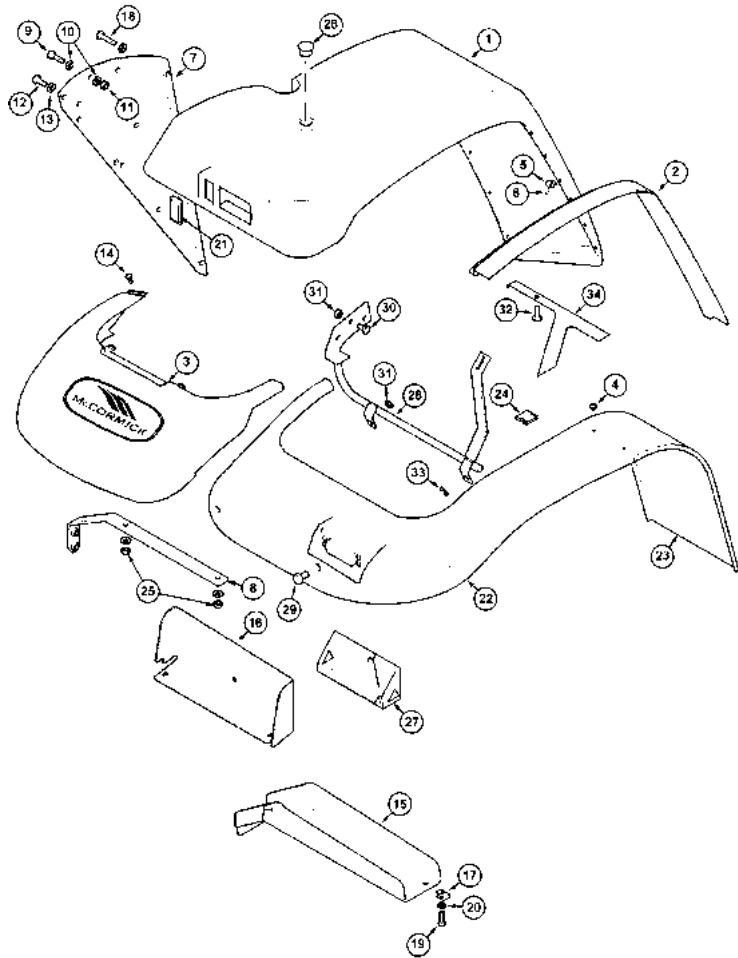
9 - Chassis / Attachments

9 -
007

REAR FENDERS - CAB - Europe Only

XTX Series XTX185, XTX200, XTX215 (2005-2007)

9007



1	195949A4		1	FENDER
1	195950A4	● 195950A4N (1)	1	FENDER
1	400586A1		1	Fender Assy
1	400587A1		1	Fender Assy
2	224719A3		1	EXTENSION
2	224720A3		1	EXTENSION
3	413288A2		1	EXTENSION
3	413289A2		1	EXTENSION
4	412181A1		4	RIVET
5	228995A2		26	NUT
6	760-34313		26	SCREW

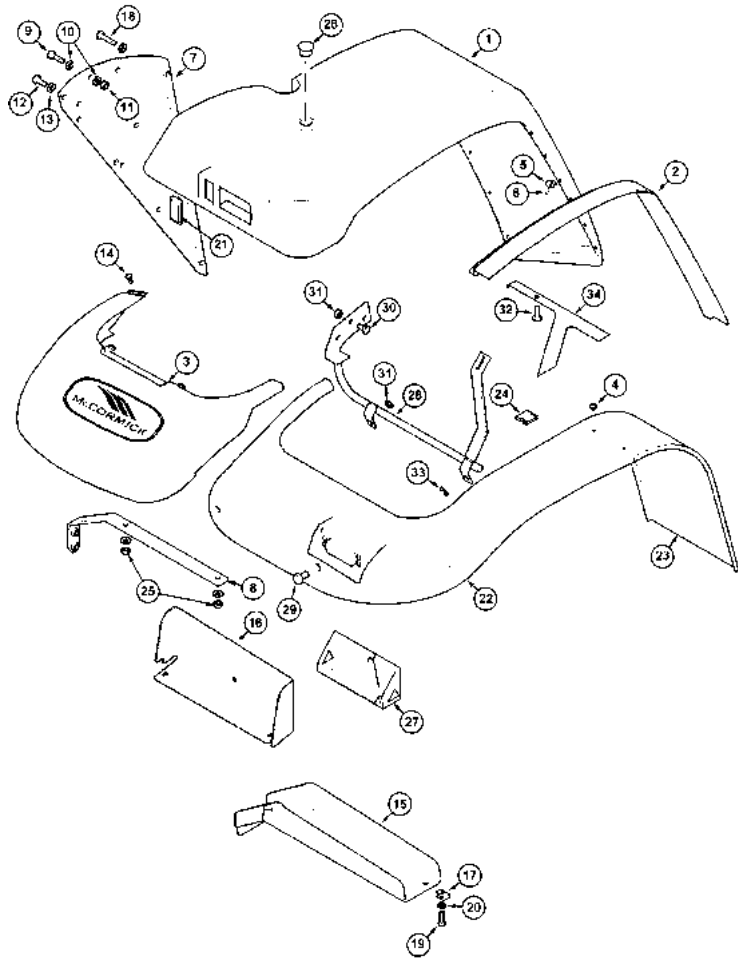
9 - Chassis / Attachments

9 -
007

REAR FENDERS - CAB - Europe Only

XTX Series XTX185, XTX200, XTX215 (2005-2007)

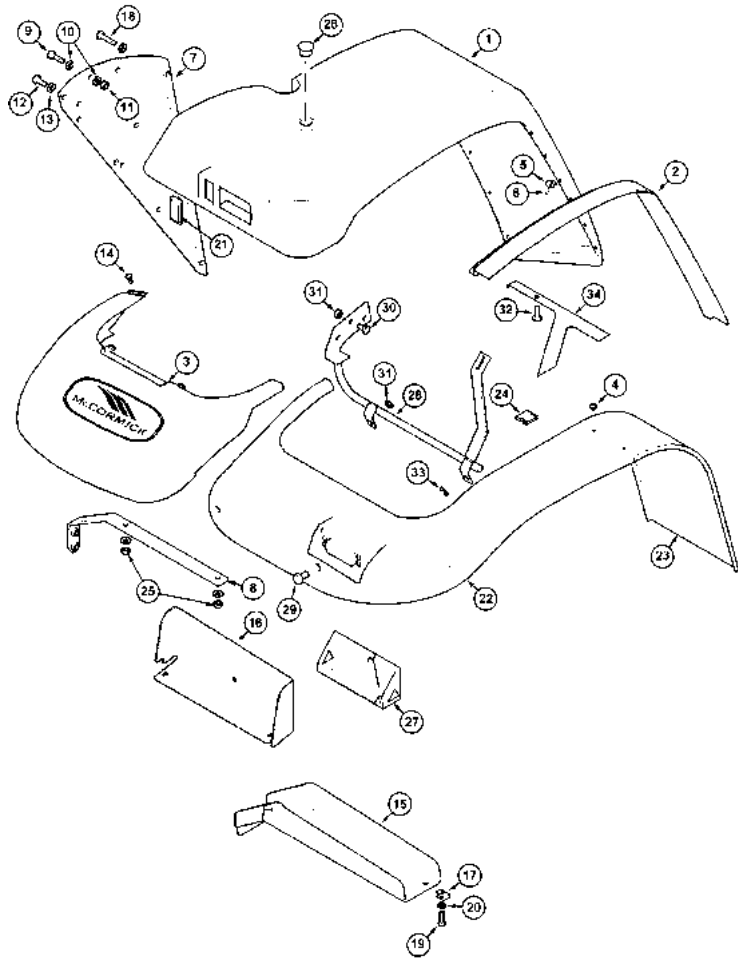
9007



7	227827A4	1	EXTENSION
7	227828A5	1	EXTENSION
7	292936A2	1	EXTENSION
7	292937A3	1	EXTENSION
8	246489A2	2	STRAP
9	614-8020	6	SCREW
10	895-15008	34	WASHER
11	832-10408	8	NUT FNS
12	614-8016	22	SCREW
13	892-11008	8	WASHER
14	611-8020	4	BOLT
15	246768A3	1	SUPPORT
15	246769A3	1	SUPPORT

XTX Series XTX185, XTX200, XTX215 (2005-2007)

9007



- M8 x 16; 8,8
- M8; 8
- Left
- Right
- M8 x 20; 8,8
- M8
- 9 x 20 x 1,6 mm
- Illustrated
- 540 mm
- 4,2 x 13 mm
- 583 x 618,4
- M8 x 16; 4,6
- 290 x 618,4
- Use With: 22,23
- CONTINUED
- REAR

B
Y

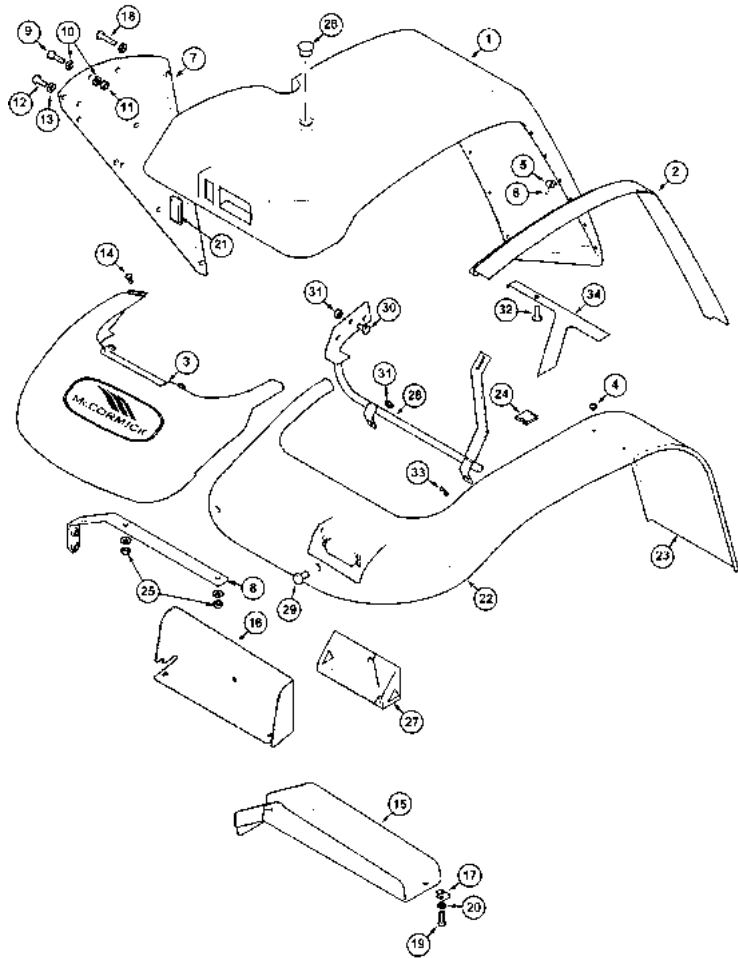
9 - Chassis / Attachments

9 -
009

REAR FENDERS - CAB

XTX Series XTX185, XTX200, XTX215 (2005-2007)

9009



16	195955A2		1	COWL
16	195956A2		1	COWL
17	833-40306		8	NUT
18	614-8025		2	SCREW
19	614-6020	● 339666X1 (8)	8	BOLT
20	895-15006		8	WASHER
21	221654A1		2	PLUG
22	399726A1		1	EXTENSION
22	399727A1		1	Extension
23	399728A1		1	Extension
23	399729A1		1	Extension
24	400465A1		30	SPRING
25	825-1408		4	NUT
26	205-112		2	PLUG
27	400189A1		1	Cover
27	412180A1	● N.L.A. (1)	1	Cover

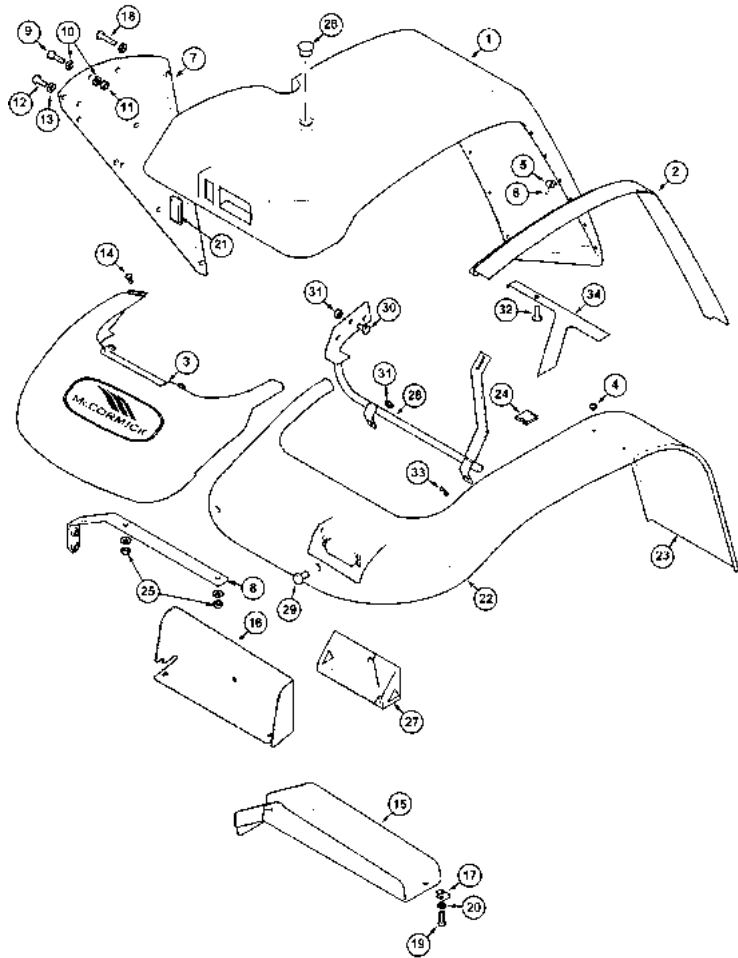
9 - Chassis / Attachments

9 -
009

REAR FENDERS - CAB

XTX Series XTX185, XTX200, XTX215 (2005-2007)

9009



- | | | | |
|----|-----------|---|--------------|
| 28 | 451402A3 | 1 | Bracket Assy |
| 28 | 451403A3 | 1 | Bracket Assy |
| 29 | 844-6030 | 4 | BOLT |
| 30 | 844-6020 | 4 | BOLT |
| 31 | 832-10408 | 8 | NUT FNS |
| 32 | 612-3 | 4 | BOLT |
| 33 | 895-15008 | 8 | WASHER |
| 34 | 711863A1 | 1 | Support |
| 34 | 711865A1 | 1 | Support |

M8; 8

Left

Right

M8 x 25; 8,8

M6

9 x 20 x 1,6 mm

M6 x 30; 8,8

M6 x 20; 8,8

6,6 x 25 x 1,6 mm

Without Remote Hitch Switch

M8 x 20; 4,6

Y

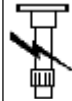
REAR

9 - Chassis / Attachments

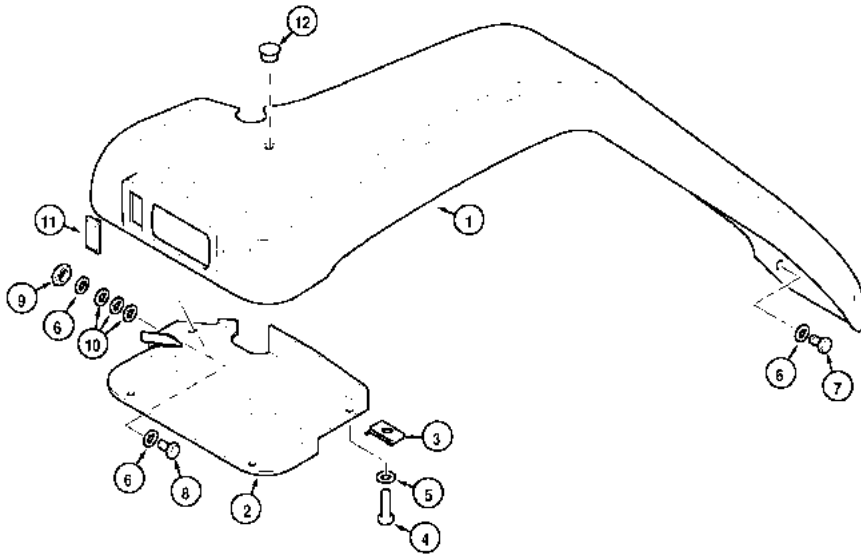
9 -
011

REAR FENDERS - CAB

XTX Series XTX185, XTX200, XTX215 (2005-2007)



9011



1	232279A4		1	FENDER
1	232280A4	● 6516474M91 (1)	1	FENDER
2	232392A4		1	FENDER
2	232393A4		1	FENDER
3	833-40306		6	NUT
4	614-6020	● 339666X1 (6)	6	BOLT
5	895-15006		6	WASHER
6	895-15008		18	WASHER
7	614-8016		12	SCREW
8	614-8020		4	SCREW
9	832-10408		2	NUT FNS
10	895-15008		12	WASHER
11	221654A1		2	PLUG
12	205-112		2	PLUG

M8 x 16; 8,8

M8; 8

Left

Right

M8 x 20; 8,8

M6

9 x 20 x 1,6 mm

M6 x 20; 8,8

6,6 x 25 x 1,6 mm

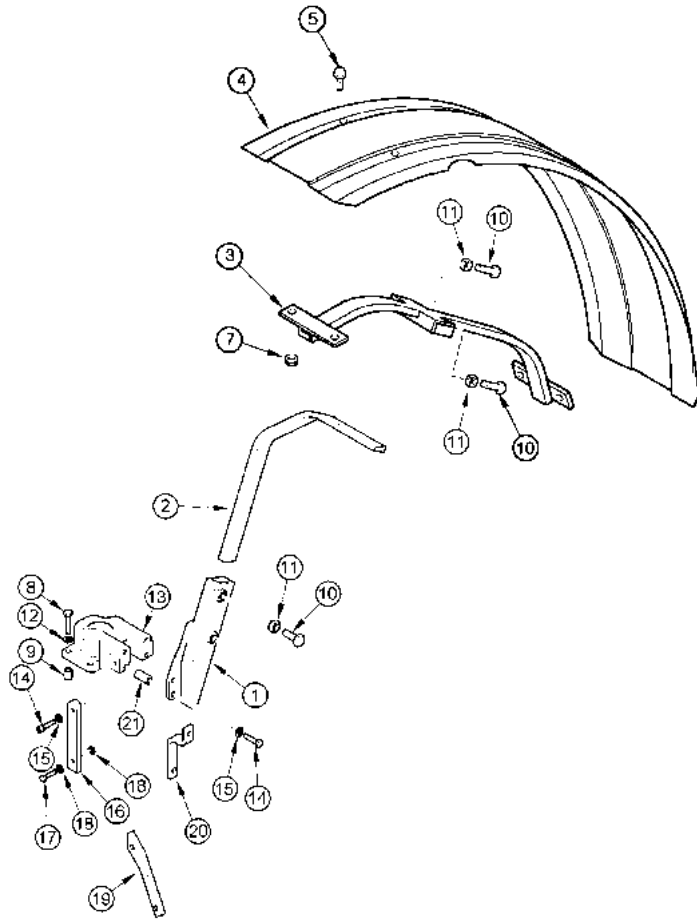
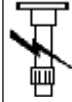
Without Worklights

Without Remote Hitch Switch

480 mm

XTX Series XTX185, XTX200, XTX215 (2005-2007)

9013



1	709228A2	● 709228A3 (1)	1 MOUNTING
1	709231A2	● 709231A3 (1)	1 MOUNTING
2	380679A1		2 PIPE
2	380682A1		2 PIPE
3	348985A1		2 SUPPORT
4	348986A1		1 FENDER
4	348987A1		1 FENDER
4	348988A1		1 FENDER
4	348989A1		1 FENDER
5	611-6020		8 BOLT
7	825-5146	● 1441500X1 (8)	8 NUT
8	827-16060		6 SCREW

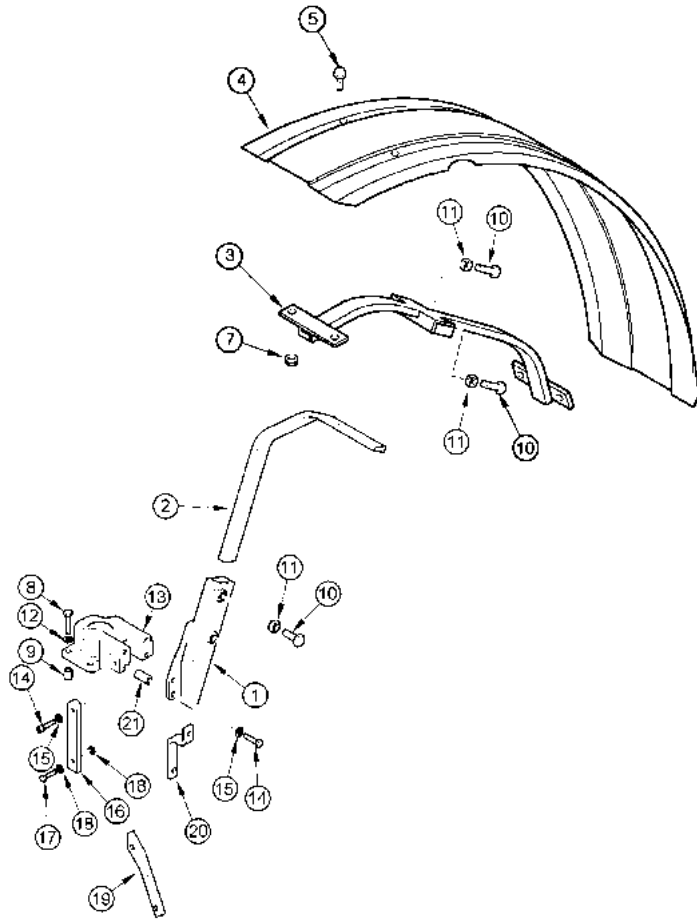
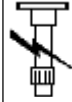
9 - Chassis / Attachments

9 -
013

FENDERS - FRONT WHEEL

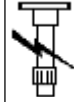
XTX Series XTX185, XTX200, XTX215 (2005-2007)

9013

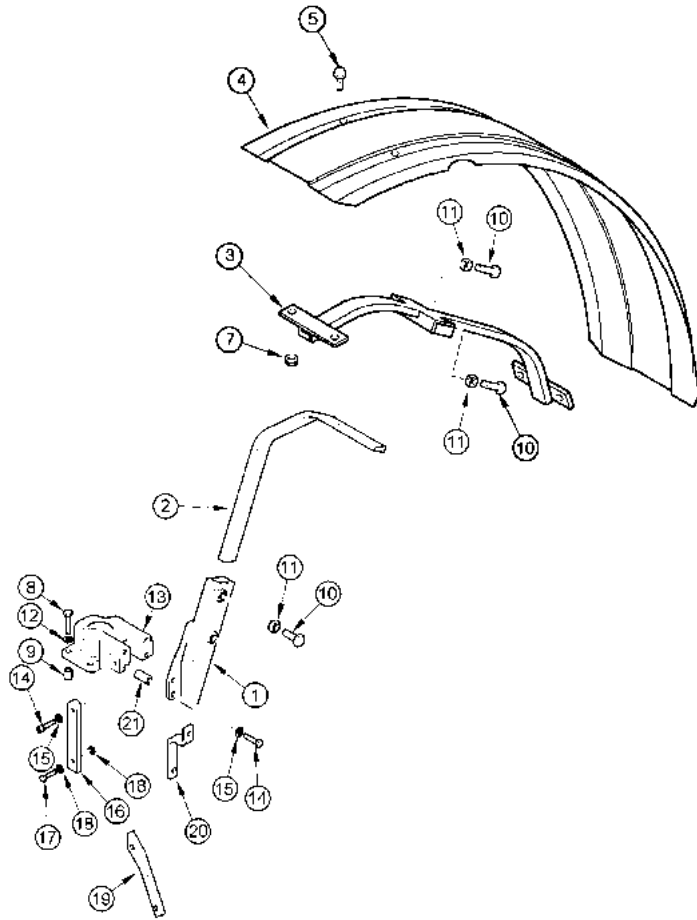


8	827-16140		6	BOLT
9	131342A1		6	DRIVING
9	337429A1		6	DRIVING
9	363641A1		6	DRIVING
10	614-12035		8	BOLT
11	829-1412		8	NUT
12	896-11016	● 3019575X1 (6)	6	WASHER
13	706152A1	● 3661903M92 (1)	1	PIN
13	706153A1	● 3661904M92 (1)	1	PIN
13	711376A1		1	SUPPORT

XTX Series XTX185, XTX200, XTX215 (2005-2007)



9013



13 711377A1

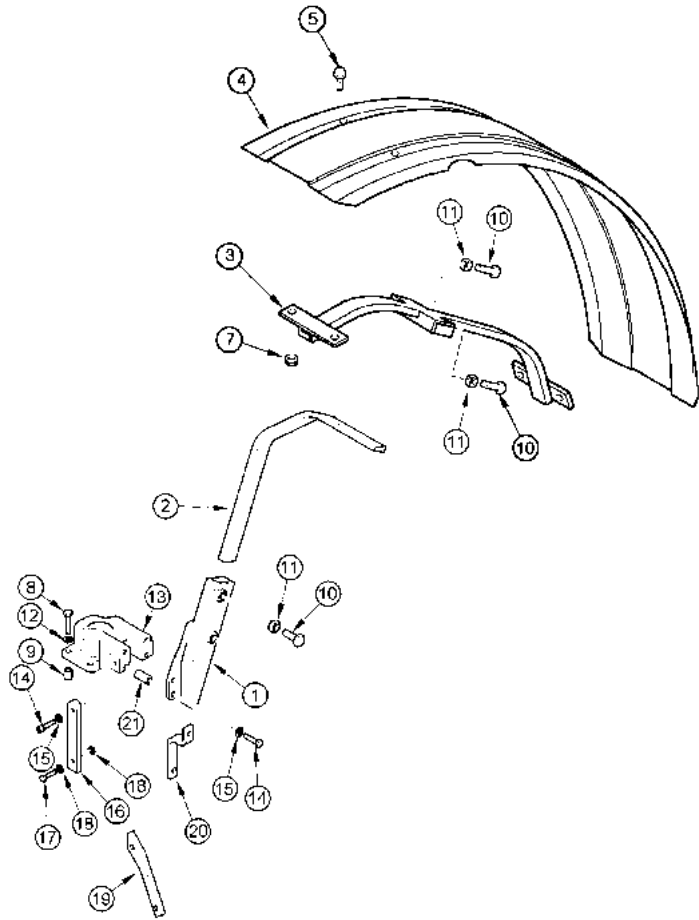
1 SUPPORT

- 100 mm
- Left
- Right
- M6
- 17,5 x 30 x 4 mm
- M12; 10
- M12 x 35
- M16 x 140; 10,9
- 6 x 20 mm
- 17 x 27 x 30 mm
- 380/440
- 550/1500
- 76.75 mm
- Axle: 20:22
- 480/600
- 600/1500
- Fixed Axle
- M16 x 60; 10.9
- Axle: 20:43
- CONTINUED

B

XTX Series XTX185, XTX200, XTX215 (2005-2007)

9015



- | | | | |
|----|-----------|----|---------|
| 14 | 514-725 | 6 | BOLT |
| 14 | 514-742 | 0 | Bolt |
| 15 | 895-11010 | 10 | WASHER |
| 16 | 711418A1 | 2 | SUPPORT |
| 17 | 863-12045 | 2 | SCREW |
| 18 | 829-1412 | 2 | NUT |
| 19 | 711438A1 | 1 | BRACE |
| 19 | 711440A1 | 2 | SUPPORT |
| 20 | 711355A1 | 2 | SUPPORT |
| 21 | 711392A1 | 6 | Spacer |

Left

Right

- 11 x 21 x 2 mm
- M12; 10
- M12 x 45; 12.9
- Wide Fender
- Axle: 20:22
- Fixed Axle
- Axle: 20:43
- M10 x 80: 8
- M10 x 35; 8
- 11 x 20 x 50 mm

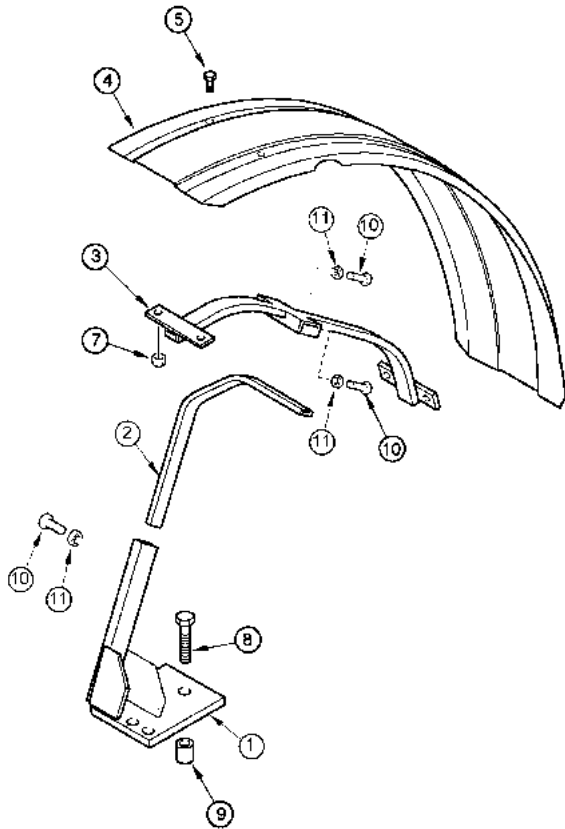
9 - Chassis / Attachments

9 -
017

FENDERS - FRONT WHEEL

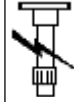
XTX Series XTX185, XTX200, XTX215 (2005-2007)

9017

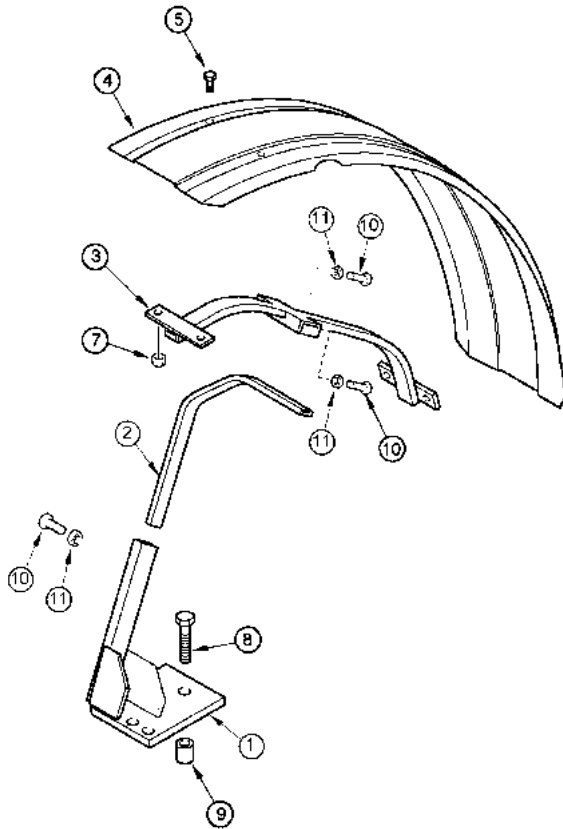


1	348982A3		1	SUPPORT
1	348983A3		1	SUPPORT
2	348984A1		2	PIPE
3	348985A1		2	SUPPORT
4	136425A2		1	FENDER
4	136426A2		1	FENDER
4	348986A1		1	FENDER
4	348987A1		1	FENDER
5	611-6020		8	BOLT
7	825-5146	● 1441500X1 (8)	8	NUT
8	827-16120		6	BOLT

XTX Series XTX185, XTX200, XTX215 (2005-2007)



9017



- 9 337429A1
- 10 614-12035
- 11 829-1412

- 6 DRIVING
- 12 BOLT
- 12 NUT

Left

Right

M6

M12; 10

440/1450

M12 x 35

6 x 20 mm

380/440

550/1500

76.75 mm

M16 x 120

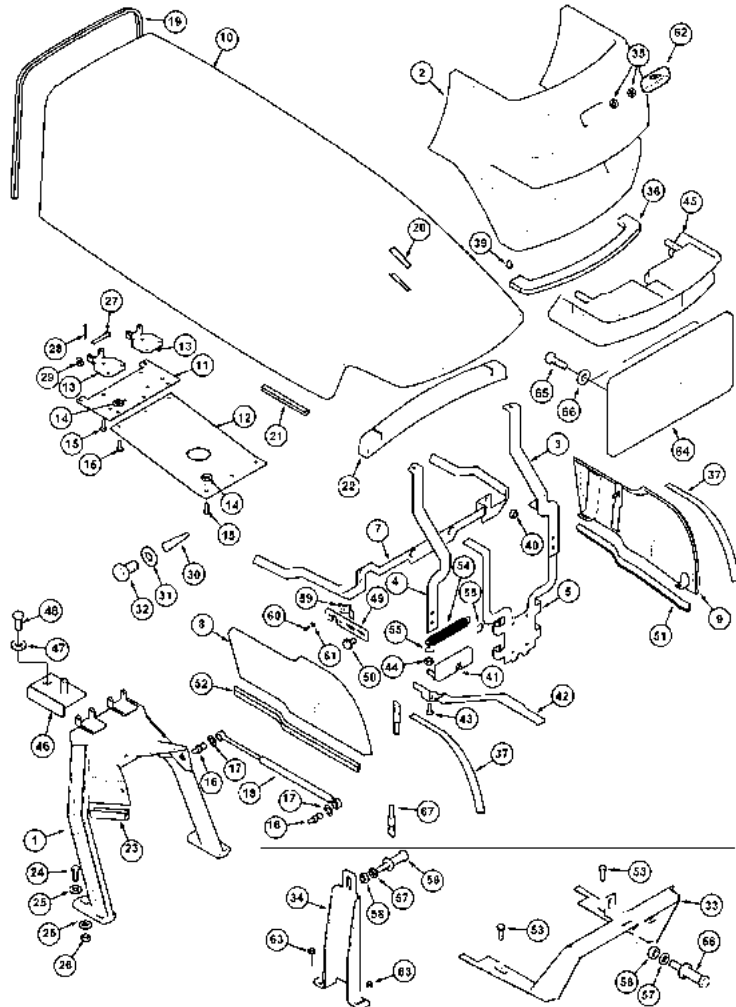
9 - Chassis / Attachments

9 -
019

HOOD SHEETS

XTX Series XTX185, XTX200, XTX215 (2005-2007)

9019



- | | | | | |
|----|-----------|-----------------|----|------------|
| 1 | 447849A1 | | 1 | SUPPORT |
| 2 | 700141A3 | ● 700141A4 (1) | 1 | GRILLE |
| 2 | 701504A3 | | 1 | GRILLE |
| 3 | 700481A1 | | 1 | Support |
| 4 | 700480A1 | | 1 | Support |
| 5 | 702519A1 | | 1 | Support |
| 7 | 701495A2 | | 1 | Plate |
| 8 | 700137A2 | | 1 | Panel Assy |
| 9 | 700138A2 | | 1 | BOARD |
| 10 | 712751A1 | | 1 | Hood Assy, |
| 11 | 245996A2 | | 1 | PLATE |
| 12 | 284689A2 | | 1 | Plate Assy |
| 13 | 198329A1 | | 2 | CARRIAGE |
| 14 | 895-11006 | ● 390971X1 (8) | 8 | WASHER |
| 15 | 614-6020 | ● 339666X1 (14) | 14 | BOLT |
| 16 | 3234063R1 | | 2 | STUD |
| 17 | 3233348R1 | | 4 | TIE |
| 18 | 710446A1 | | 2 | SPRING |
| 19 | 236487A3 | | 1 | GASKET |
| 19 | 704002A2 | | 1 | Seal |

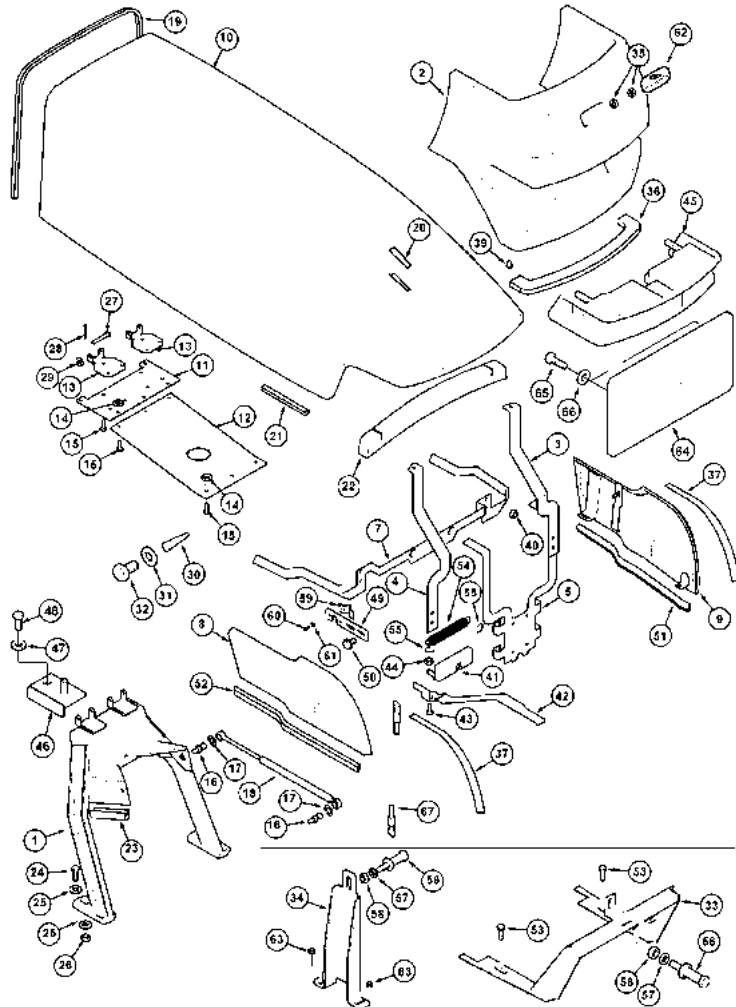
9 - Chassis / Attachments

9 -
019

HOOD SHEETS

XTX Series XTX185, XTX200, XTX215 (2005-2007)

9019



- | | | | | |
|----|-----------|-----------------|---|------------|
| 20 | 1968108C2 | | 1 | PLUG |
| 21 | 221863A2 | | 6 | EDGE |
| 22 | 712750A1 | | 1 | Seal |
| 23 | 451559A1 | | 1 | HOSE |
| 24 | 614-12040 | | 4 | BOLT |
| 25 | 896-11012 | ● 3667437M1 (8) | 8 | WASHER |
| 26 | 829-1412 | | 4 | NUT |
| 27 | 728-880 | | 2 | CLEVIS PIN |
| 28 | 733-2025 | | 2 | PIN |
| 29 | 895-11008 | | 2 | WASHER |
| 30 | 1348465C1 | | 1 | STUD |

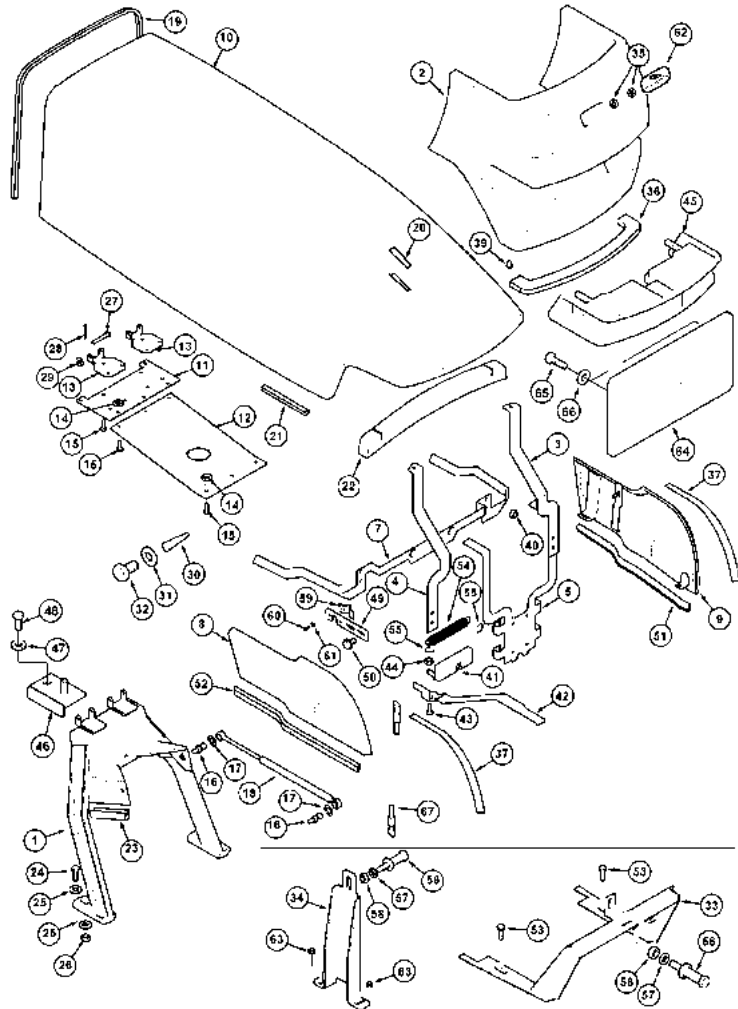
9 - Chassis / Attachments

9 -
019

HOOD SHEETS

XTX Series XTX185, XTX200, XTX215 (2005-2007)

9019



6,6 x 12 x 1,6 mm

9 x 17 x 1,6 mm

Left

Right

60 mm

M12; 10

2 x 25 mm

M6 x 20; 8,8

13.5 mm

Front P.T.O.

M12 x 40; 8,8

Cab Suspension

Includes: 30 - 32

Includes: 11 - 22

1446 mm

8 x 80 mm

679 mm

CONTINUED

B

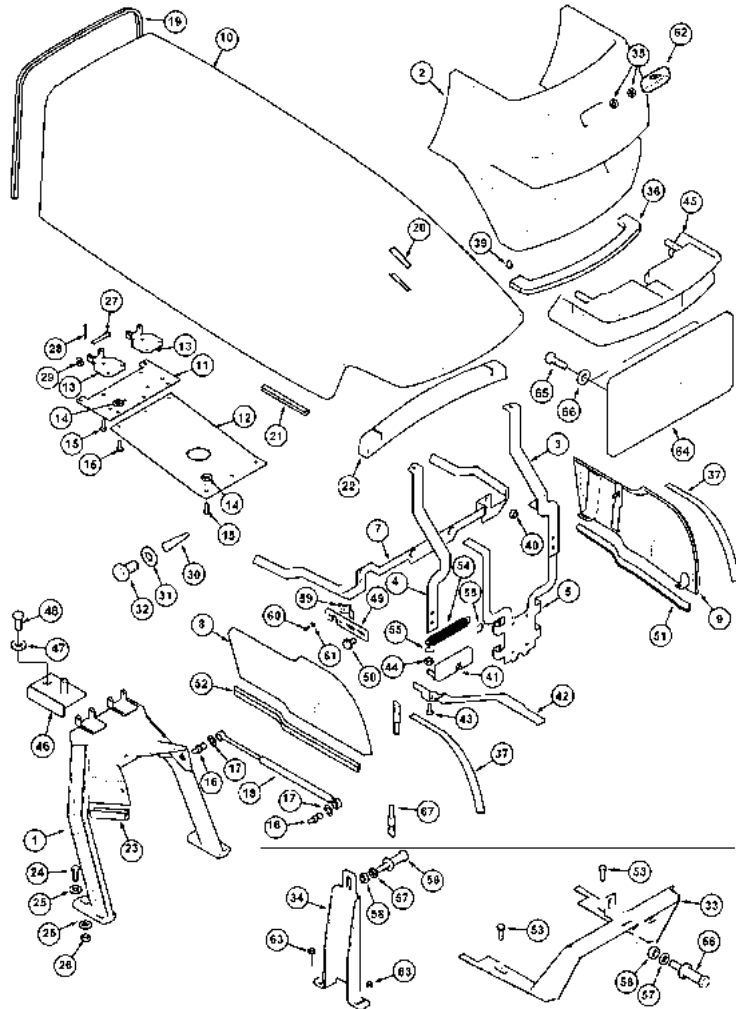
9 - Chassis / Attachments

9 -
021

HOOD SHEETS

XTX Series XTX185, XTX200, XTX215 (2005-2007)

9021



- | | | | | |
|----|-----------|------------------|----|--------------|
| 31 | 892-11005 | | 1 | WASHER |
| 32 | 463-6108 | | 1 | SCREW |
| 33 | 711869A3 | | 1 | Support Assy |
| 34 | 707158A1 | | 1 | Bracket |
| 35 | 131-431 | ● 86625060 (2) | 2 | NUT |
| 36 | 701923A1 | | 1 | Seal |
| 36 | 708917A1 | | 1 | Seal |
| 37 | 701922A1 | | 2 | SEAL |
| 39 | 151-563 | | 13 | RIVET |
| 40 | 1536080C1 | ● 86625060 (6) | 6 | CLIP |
| 41 | 309704A1 | ● 4216965M91 (1) | 1 | LATCH |
| 42 | 701584A2 | | 1 | Lever Assy |
| 43 | 555-8 | ● 87015931 (4) | 4 | BOLT |
| 44 | 832-10406 | ● 1441500X1 (5) | 5 | NUT FNS |
| 45 | 700131A3 | | 1 | CRANKCASE |
| 45 | 700132A3 | | 1 | CRANKCASE |
| 46 | 700688A1 | | 1 | Pin Assy |

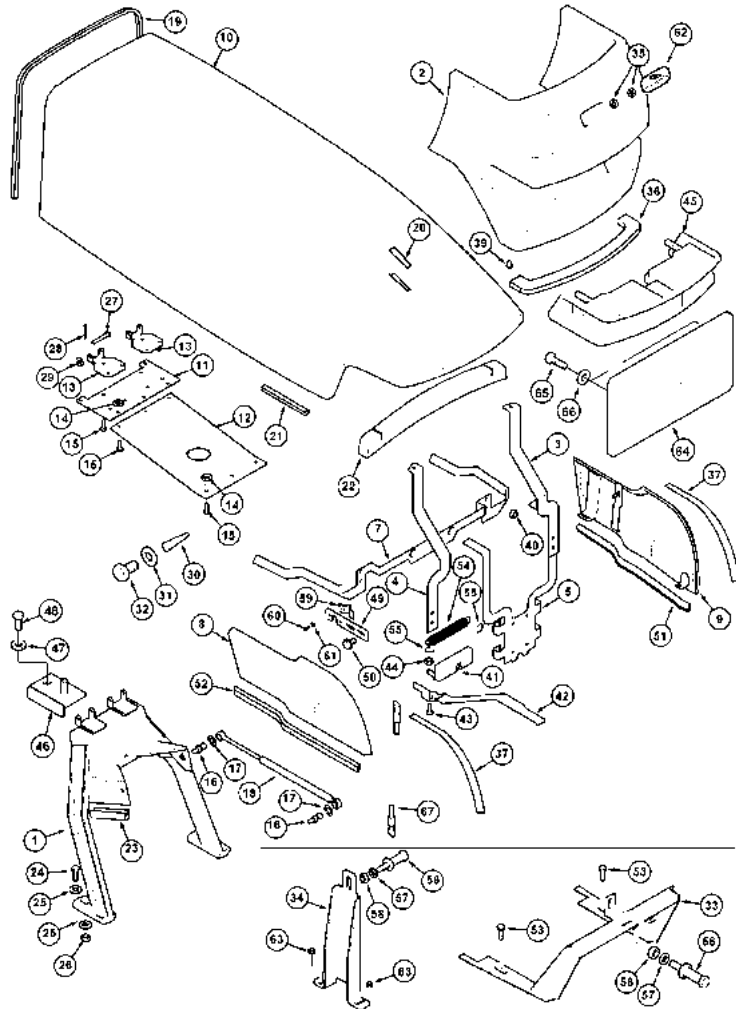
9 - Chassis / Attachments

9 -
021

HOOD SHEETS

XTX Series XTX185, XTX200, XTX215 (2005-2007)

9021



- | | | | |
|----|-----------|---|----------|
| 46 | 700689A1 | 1 | Pin Assy |
| 46 | 705527A1 | 1 | Pin Assy |
| 47 | 895-11010 | 2 | WASHER |
| 48 | 814-10040 | 2 | BOLT |

M10 x 40; 8,8

Left

Right

M5

M6; 8

11 x 21 x 2 mm

1/4

No. 10 x 1/2

Europe Only

N.A. Only

Illustrated

Front P.T.O.

3/16 x 11/16 in

M6 x 35;8,8

915 mm

With Front P.T.O. and Front Hitch

Without Front P.T.O. and Front Hitch

#XTX215

#XTX185, XTX200

CONTINUED

B

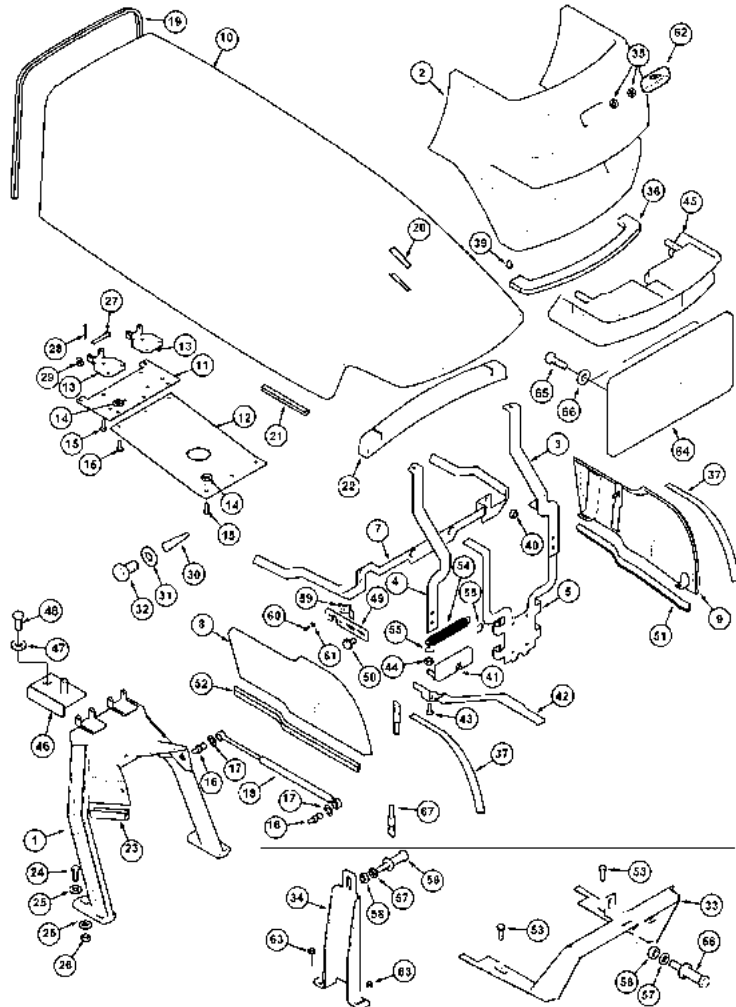
9 - Chassis / Attachments

9 -
023

HOOD SHEETS

XTX Series XTX185, XTX200, XTX215 (2005-2007)

9023



- | | | | |
|----|-----------------|---|--------|
| 49 | 702540A1 | 2 | PLATE |
| 50 | 844-8016 | 4 | BOLT |
| 51 | 706872A1 | 1 | GASKET |
| 51 | 708987A1 | 1 | Seal |
| 52 | 706873A1 | 1 | GASKET |
| 52 | 708988A1 | 1 | Seal |
| 53 | 844-12030 | 2 | BOLT |
| 54 | 277825A1 | 1 | SPRING |
| 55 | 186860A1 | 2 | CLIP |
| 56 | 301081A1 | 1 | BOLT |
| 57 | 896-11012 | 1 | WASHER |
| | ● 3667437M1 (1) | | |
| 58 | 829-1412 | 1 | NUT |
| 59 | 1968039C3 | 2 | TIE |
| 60 | 760-34313 | 4 | SCREW |
| 61 | 495-21019 | 4 | Washer |

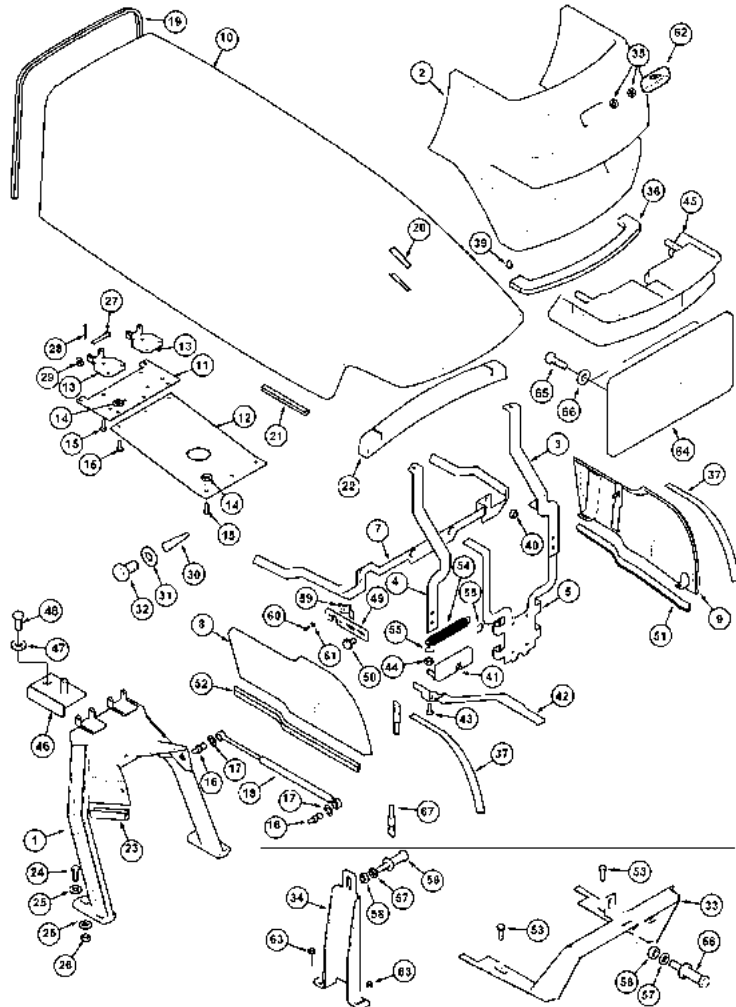
9 - Chassis / Attachments

9 -
023

HOOD SHEETS

XTX Series XTX185, XTX200, XTX215 (2005-2007)

9023



- 62 414436A2
- 63 825-2408
- 64 T103383
- 65 905736R1
- 66 895-11005
- 67 710444A1

- 1 EMBLEM
- 2 NUT
- 1 RETAINER
- 2 SCREW
- 2 WASHER
- 1 CYLINDER

M8 x 16; 8,8

M8; 8

Left

Right

M12 x 30

6 mm

5,5 x 10 x 1 mm

M12; 10

610 mm

3/16 x 7/16 x 3/64

13.5 mm

510 mm

1500 mm

M4,8 x 16

4,2 x 13 mm

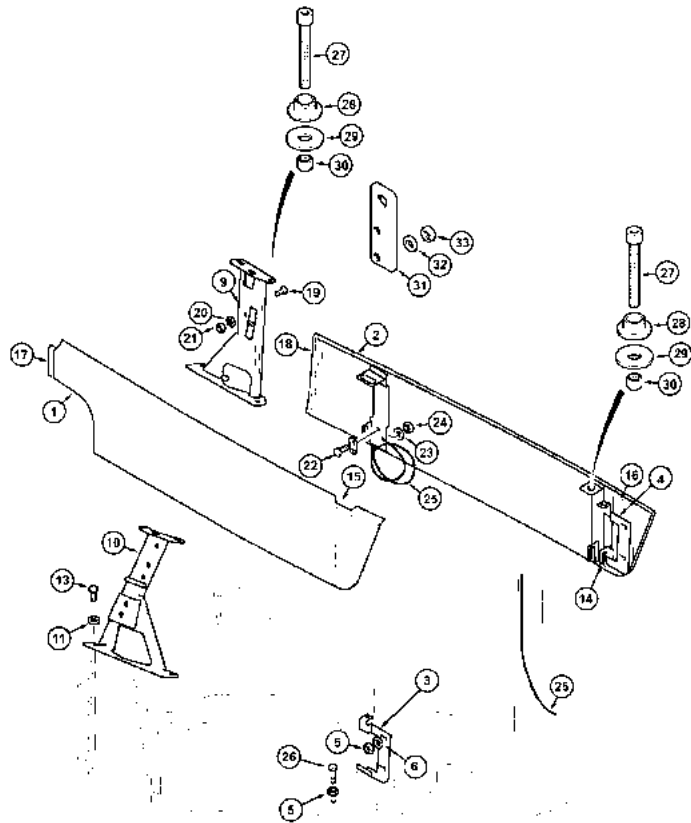
9 - Chassis / Attachments

9 -
025

SIDE PANELS

XTX Series XTX185, XTX200, XTX215 (2005-2007)

9025



- | | | | | |
|---|----------|-----------------|---|--------------|
| 1 | 442660A4 | | 1 | PANEL |
| 1 | 705612A2 | ● 705612A2N (1) | 1 | Panel Assy |
| 2 | 442661A5 | | 1 | PANEL |
| 2 | 702793A2 | | 1 | BOARD |
| 2 | 705613A4 | | 1 | Panel Assy |
| 2 | 705727A4 | | 1 | Panel Assy |
| 3 | 701408A1 | | 1 | Bracket Assy |
| 3 | 702015A1 | | 1 | Bracket Assy |

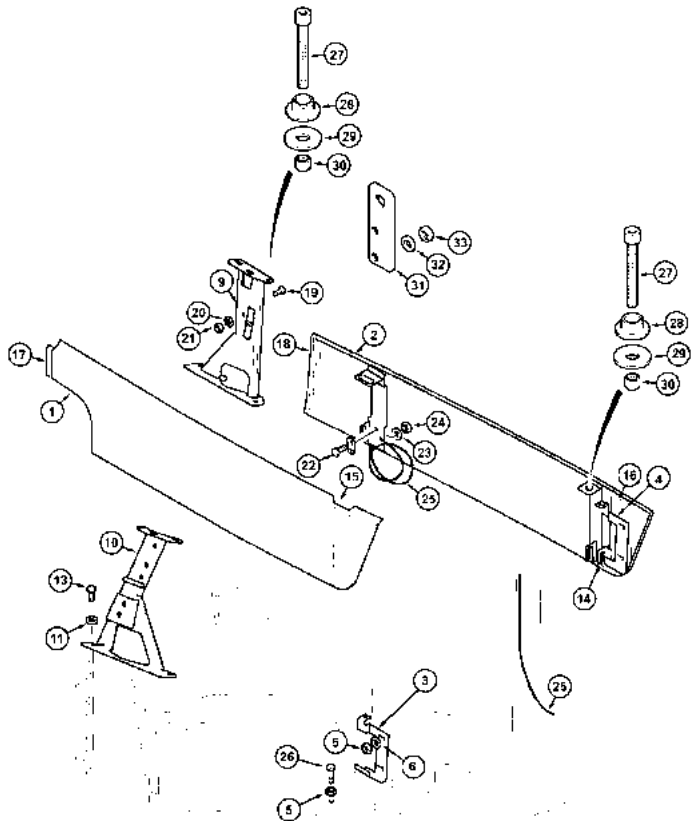
9 - Chassis / Attachments

9 -
025

SIDE PANELS

XTX Series XTX185, XTX200, XTX215 (2005-2007)

9025



- | | | | |
|---|-----------|---|--------------|
| 4 | 701409A1 | 1 | Bracket Assy |
| 4 | 702016A1 | 1 | Bracket Assy |
| 5 | 829-2410 | 4 | NUT |
| 6 | 895-11010 | 4 | WASHER |
| 9 | 700349A1 | 1 | Support Assy |
| 9 | 705639A3 | 1 | Support Assy |

Left
Right
11 x 21 x 2 mm
Illustrated
M10; 10
Lower Left
Pneumatic Trailer Brake
#XTX215
#XTX185, XTX200

B CONTINUED

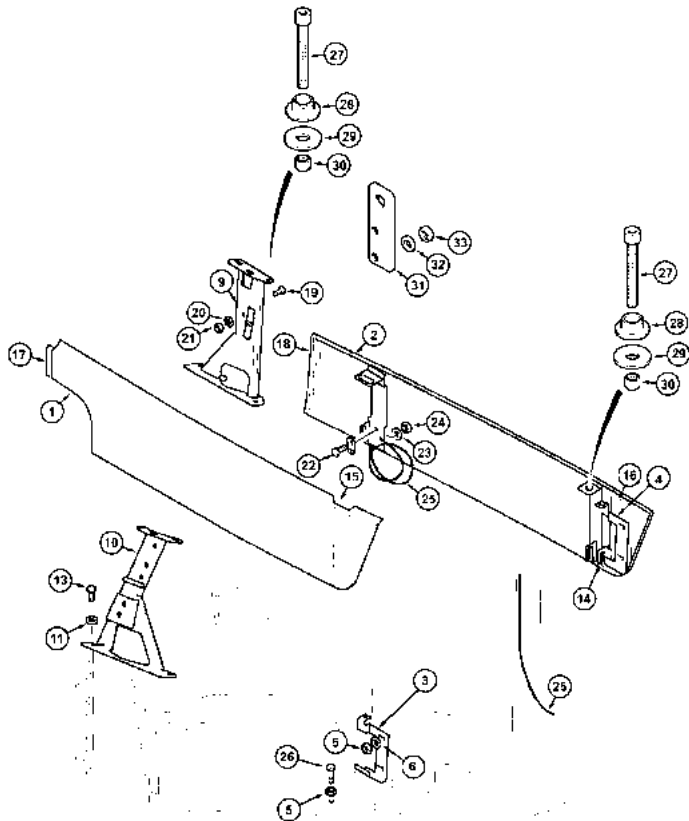
9 - Chassis / Attachments

9 -
027

SIDE PANELS

XTX Series XTX185, XTX200, XTX215 (2005-2007)

9027



10	700350A1		1	Support Assy
10	705638A3	● 705638A4 (1)	1	Support Assy
11	896-11012	● 3667437M1 (4)	4	WASHER
13	614-12030		4	BOLT
14	235184A1		4	INSULATOR
15	229127A1	● 229127A2 (1)	1	GASKET
16	229129A1	● 229129A2 (1)	1	GASKET
17	236485A1		1	GASKET
17	704003A2		1	Seal
18	236486A1		1	GASKET

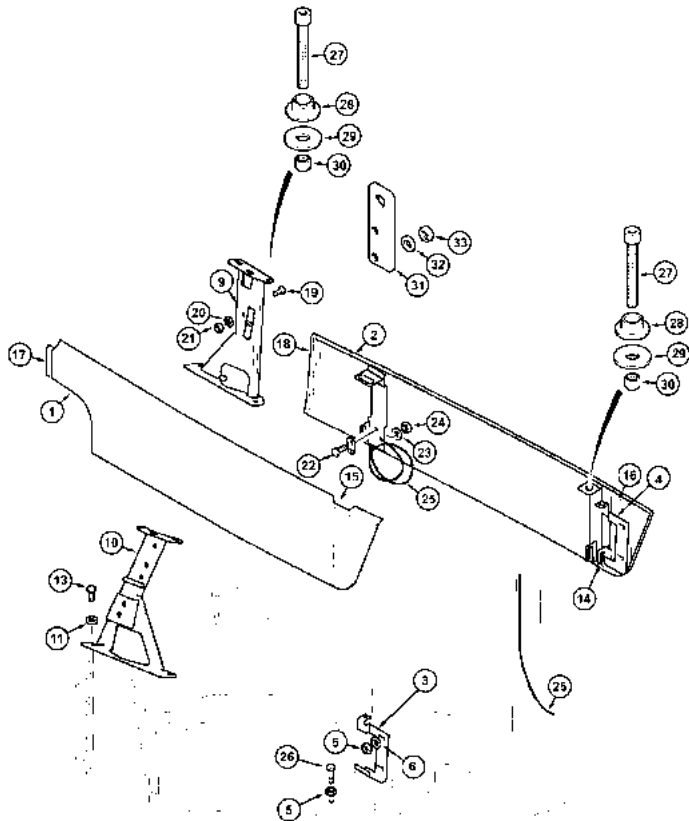
9 - Chassis / Attachments

9 -
027

SIDE PANELS

XTX Series XTX185, XTX200, XTX215 (2005-2007)

9027



- | | | | | |
|----|-----------|-----------------|---|--------------|
| 18 | 704004A2 | | 1 | Seal |
| 19 | 614-8016 | | 2 | SCREW |
| 20 | 895-11008 | | 2 | WASHER |
| 21 | 829-1408 | | 2 | NUT |
| 22 | 614-6012 | | 2 | BOLT |
| 23 | 895-11006 | ● 390971X1 (2) | 2 | WASHER |
| 24 | 829-1406 | | 2 | NUT |
| 25 | 1533478C1 | ● 1533478C2 (2) | 2 | Rope |
| 26 | 814-10040 | | 2 | BOLT |
| 27 | 236964A2 | | 4 | SCREW |
| 27 | 565-110 | | 1 | Screw |
| 28 | 234331A1 | | 1 | DEVICE |
| 29 | 495-71041 | | 1 | WASHER |
| 30 | 829-1408 | | 1 | NUT |
| 31 | 313526A1 | | 1 | PLATE |
| 32 | 893-16005 | | 2 | Washer, Lock |

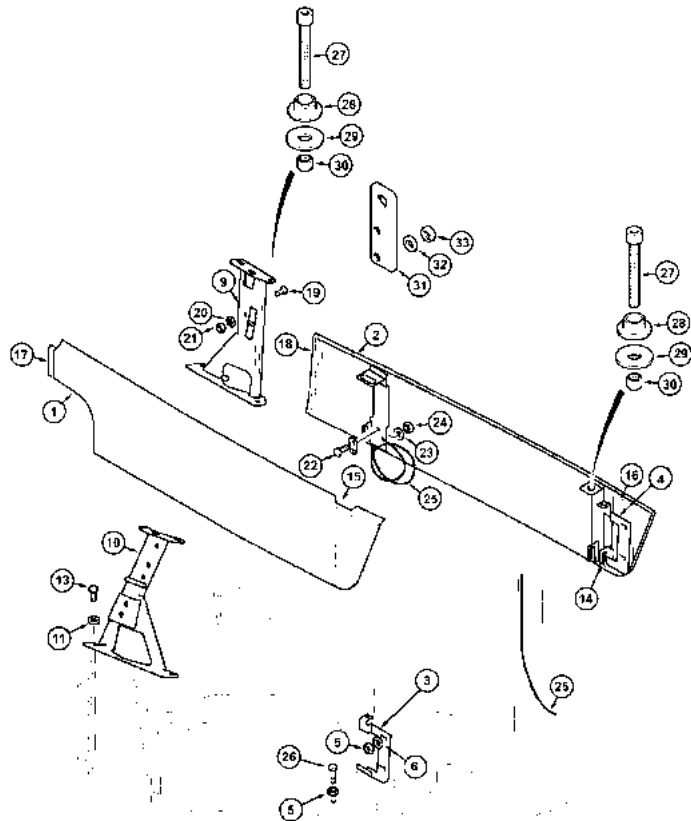
9 - Chassis / Attachments

9 -
027

SIDE PANELS

XTX Series XTX185, XTX200, XTX215 (2005-2007)

9027



33 825-1405 ● 390995X1 (1) 1 NUT

13/32 x 1-1/4 x 3/32

M10 x 40; 8,8

M8 x 16; 8,8

6,6 x 12 x 1,6 mm

M6 x 12; 8,8

9 x 17 x 1,6 mm

M5

M8; 10

Europe Only

M6; 10

Illustrated

Left Front

13.5 mm

Lower Right

Lower Left

M12 x 30; 8,8

Cab Suspension

Right Front

103 mm

279 mm

Consists Of: 565-110,28 - 30

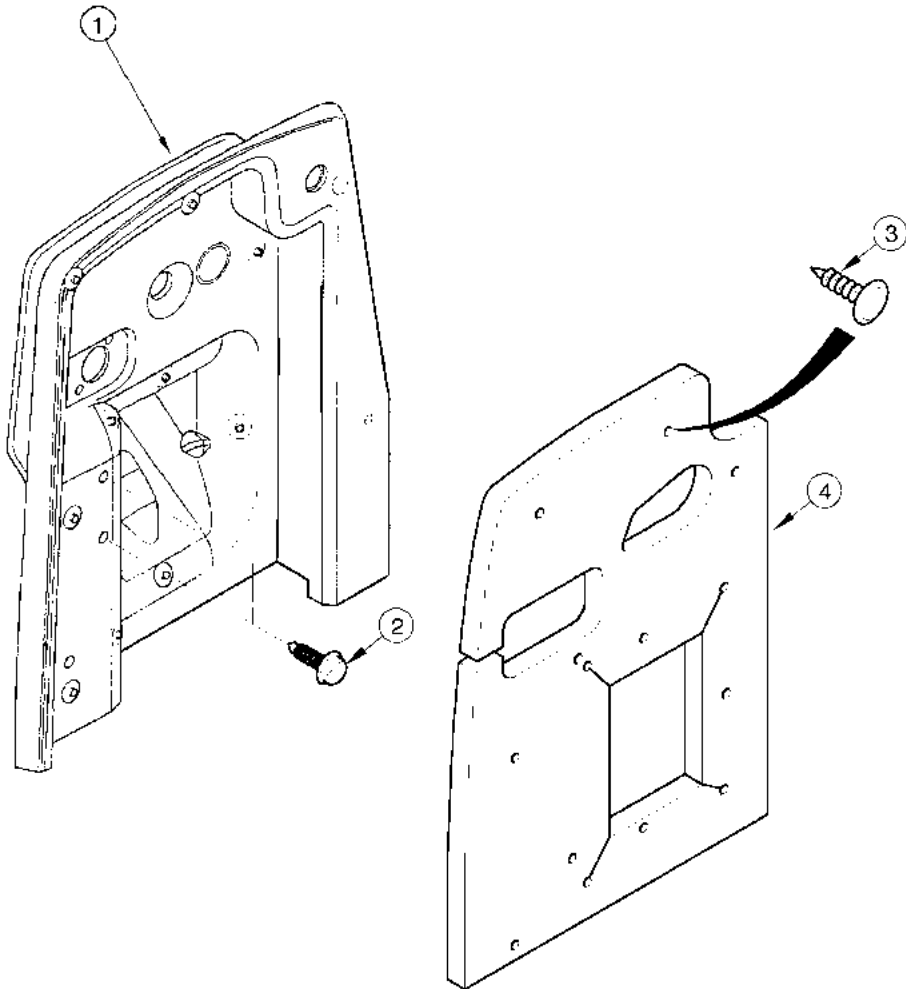
M8 x 55; 8,8

#XTX215

#XTX185, XTX200

XTX Series XTX185, XTX200, XTX215 (2005-2007)

9029



- | | | | | |
|---|-----------|-----------------|----|-------|
| 1 | 708748A1 | | 1 | Cover |
| 2 | 782-84695 | | 2 | SCREW |
| 3 | 254057A1 | | 11 | TIE |
| 4 | 258672A1 | ● 4206726M2 (1) | 1 | FOAM |
| | | 6,3 x 9,5 mm | | |

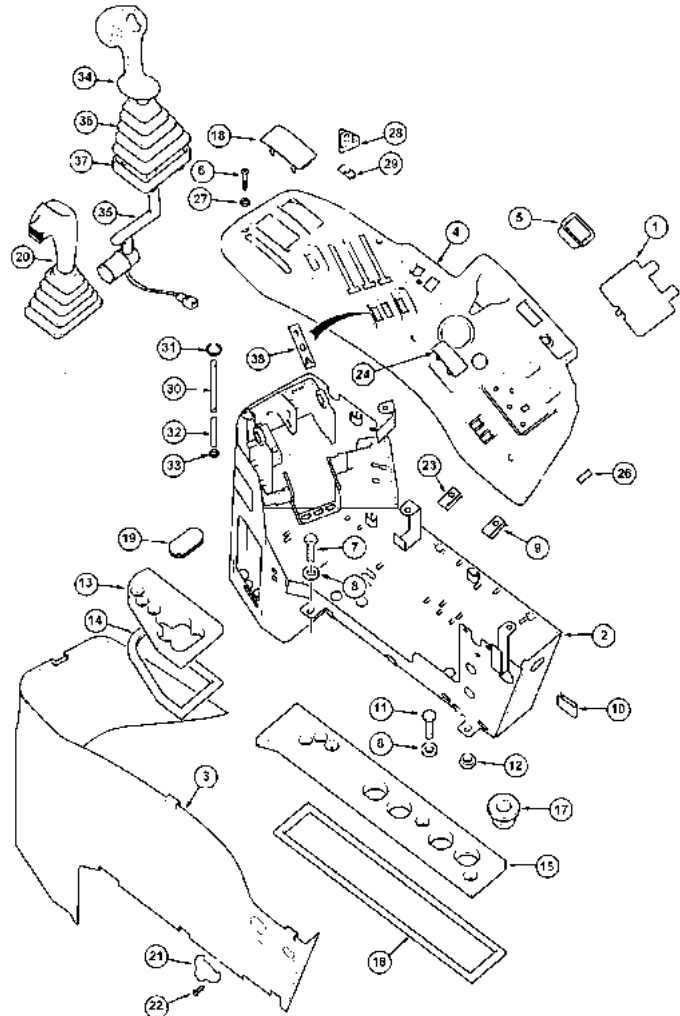
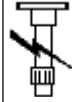
9 - Chassis / Attachments

9 -
031

CONTROL CONSOLE, RIGHT

XTX Series XTX185, XTX200, XTX215 (2005-2007)

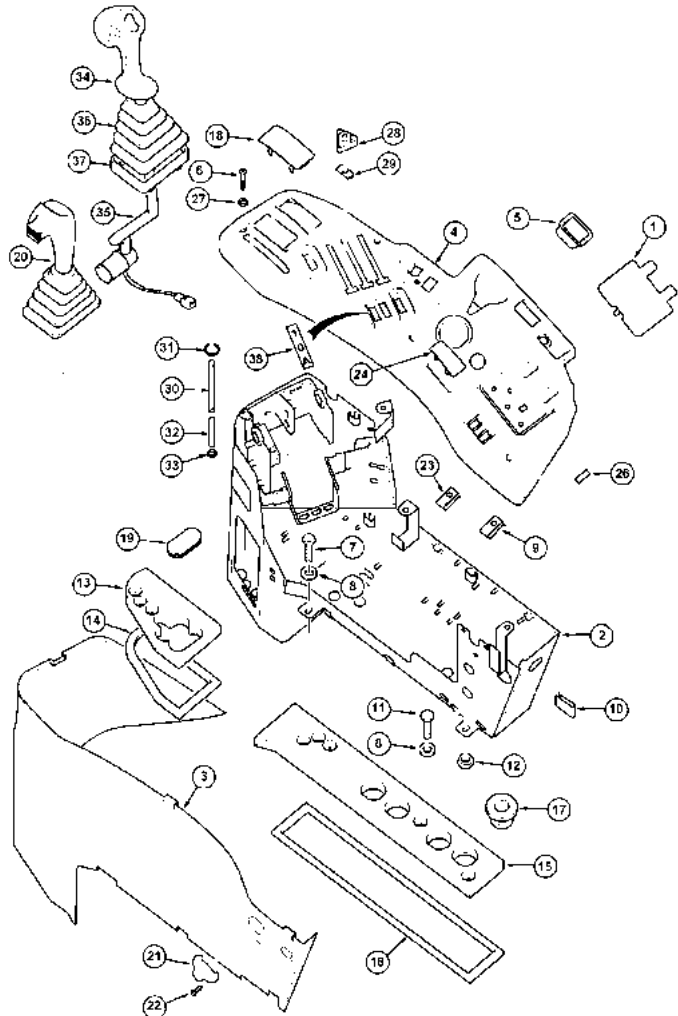
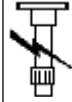
9031



- | | | | | |
|----|-----------|------------------------------------|---|-----------|
| 1 | 710805A1 | | 1 | Cover |
| 2 | 711267A3 | | 1 | CONSOLE |
| 2 | 711276A3 | ● 4217881M91 (1)
3693316M92 (1) | 1 | CONSOLE |
| 3 | 248865A4 | | 1 | PANEL |
| 3 | 292069A2 | | 1 | PANEL |
| 4 | 709836A1 | ● 4214335M1 (1) | 1 | CONSOLE |
| 5 | 248395A1 | | 1 | ASHTRAY |
| 6 | 260-16516 | | 5 | SCREW |
| 7 | 514-620 | | 5 | BOLT |
| 8 | 895-15008 | | 6 | WASHER |
| 9 | 222858A1 | | 2 | TIE |
| 10 | 248972A1 | | 3 | NUT |
| 11 | 614-8035 | | 1 | SCREW |
| 12 | 829-1408 | | 1 | NUT |
| 13 | 277653A1 | | 1 | INSULATOR |
| 14 | 239530A1 | | 1 | GASKET |
| 15 | 710464A2 | | 1 | PAD |
| 16 | 241965A1 | | 1 | GASKET |
| 17 | 182220A1 | | 3 | WALKWAY |
| 18 | 711398A1 | | 1 | Cover |

XTX Series XTX185, XTX200, XTX215 (2005-2007)

9031



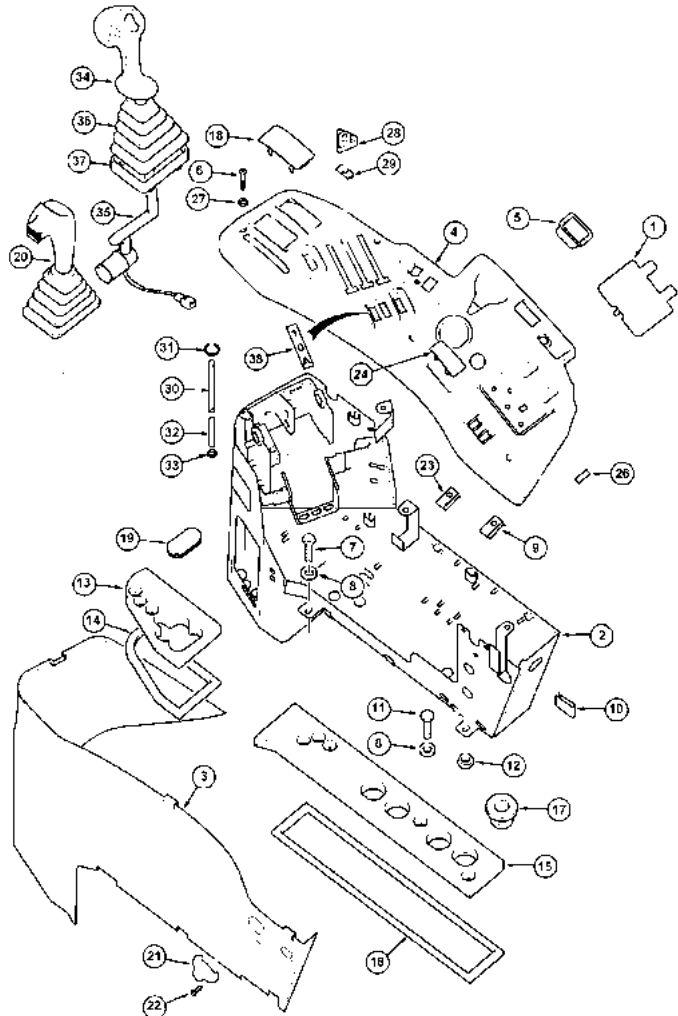
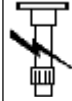
- | | | | |
|----|-----------|---|---------|
| 19 | 240638A1 | 1 | WALKWAY |
| 19 | 276942A1 | 2 | WALKWAY |
| 20 | 710791A1 | 1 | HANDLE |
| 21 | 710806A1 | 1 | Cover |
| 22 | 260-13524 | 2 | SCREW |
| 23 | 96900C1 | 3 | NUT FNS |
| 24 | 711399A1 | 1 | Cover |

M8 x 20; 8,8
 M8 x 35; 8,8
 M8; 10
 9 x 20 x 1,6 mm
 No. 10
 No. 10 x 1
 With Creep Speed
 Shiftable P.T.O.
 Without Creep Speed
 72 x 40 mm
 No. 10 x 1-1/2
 84 x 40 mm
 #XTX-M
 #XTX-E
 See Page(s): 6-39

- | | |
|---|-----------|
| B | CONTINUED |
| D | FRONT |
| Y | REAR |

XTX Series XTX185, XTX200, XTX215 (2005-2007)

9033



- | | | | | |
|----|-----------|----------------|---|------------|
| 26 | 245918C1 | | 3 | PLUG |
| 26 | 417600A1 | ● 245918C1 (3) | 3 | PLUG |
| 27 | 2775307R1 | | 5 | WASHER |
| 28 | 434199A2 | | 1 | KNOB |
| 29 | 434198A2 | | 1 | PLUG |
| 30 | 434195A3 | | 1 | TIE ROD |
| 31 | 895-11008 | | 1 | WASHER |
| 32 | 450963A1 | | 1 | Tube |
| 33 | 895-25008 | | 1 | WASHER |
| 34 | 713199A1 | | 1 | Lever Assy |
| 35 | 452628A1 | | 1 | Lever |
| 36 | 1533271C1 | | 1 | BELLOWS |
| 37 | 241536A1 | | 1 | FRAME |
| 38 | 710424A1 | | 1 | DECAL |

9 x 17 x 1,6 mm

Optional

9 x 24 x 2 mm

See Page(s): 4-53

Includes: 35 - 37

#XTX-E

Without Suspension Axle

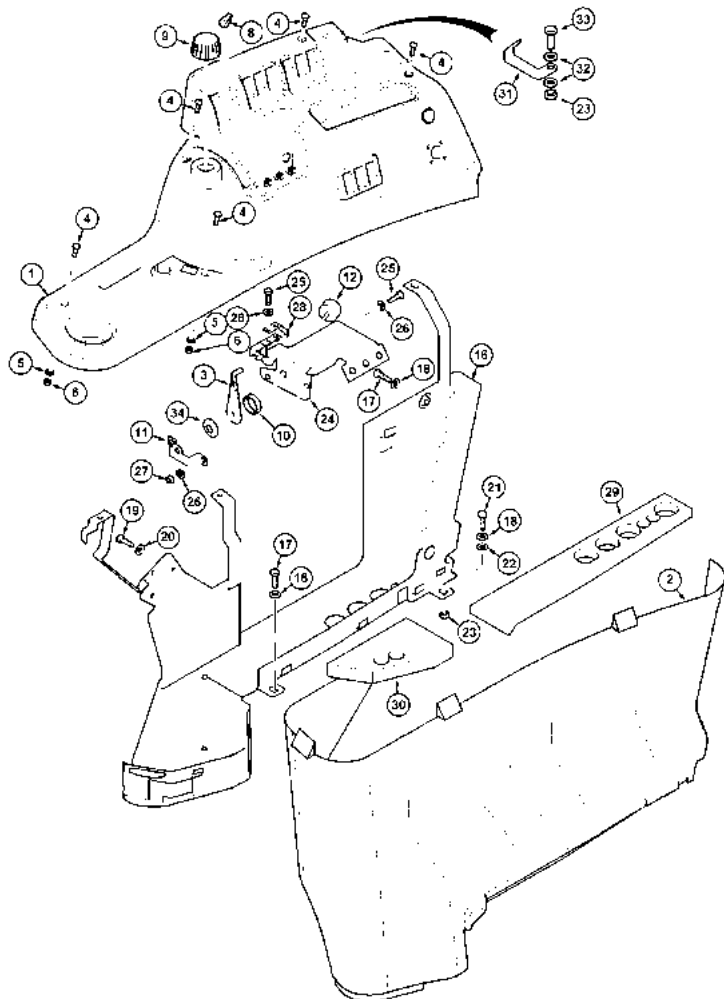
9 - Chassis / Attachments

9 -
035

CONTROL CONSOLE, RIGHT - XTX-Eplus

XTX Series XTX185, XTX200, XTX215 (2005-2007)

9035



1	709870A4	●	6504328M1 (1) 6504593M91 (1) 6506420M3 (1)	1	CONSOLE
1	710704A4			1	CONSOLE
1	711879A2			1	CONSOLE
2	701082A2			1	Panel
3	710637A2	●	4218875M1 (1)	1	Lever
4	260-16516			5	SCREW
5	2775307R1			5	WASHER
6	222858A1			5	TIE
8	704435A1			1	Knob
9	187820A1			1	GRIP
10	710638A1			1	THIMBLE
11	710645A1			1	SUPPORT
12	711259A2			1	POTENTIOMETE R
16	709977A2			1	FRAME ASSY
17	514-620			2	BOLT
18	895-15008			5	WASHER
19	614-10030			2	BOLT
20	895-11010			2	WASHER

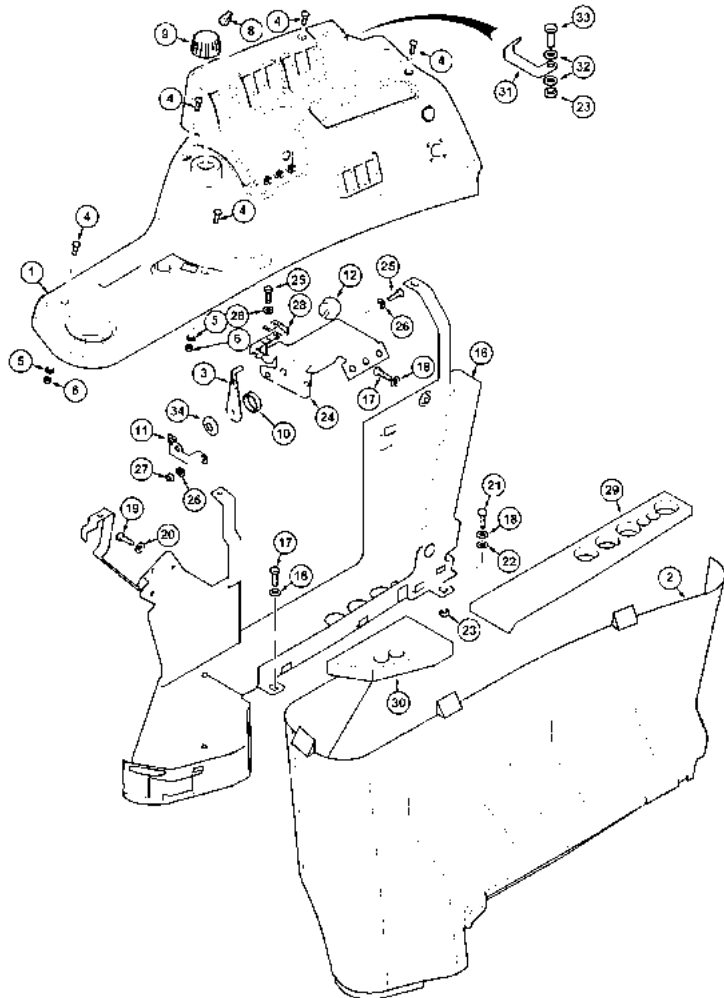
9 - Chassis / Attachments

9 -
035

CONTROL CONSOLE, RIGHT - XTX-Eplus

XTX Series XTX185, XTX200, XTX215 (2005-2007)

9035



- 21 614-8030
- 22 934899R1
- 23 829-1408
- 24 710631A2
- 25 614-4012
- 26 895-11004
- 27 824-1404
- 28 705810A1
- 29 706108A2
- 30 706107A2
- 31 711229A1
- 32 895-11008
- 33 614-8016
- 34 711397A1

- 1 BOLT
- 1 Washer, Lock
- 2 NUT
- 1 Plate Assy
- 5 Screw
- 8 Washer
- 3 NUT
- 1 Bracket
- 1 Insulator
- 1 Insulator
- 1 SUPPORT
- 2 WASHER
- 1 SCREW
- 1 Washer

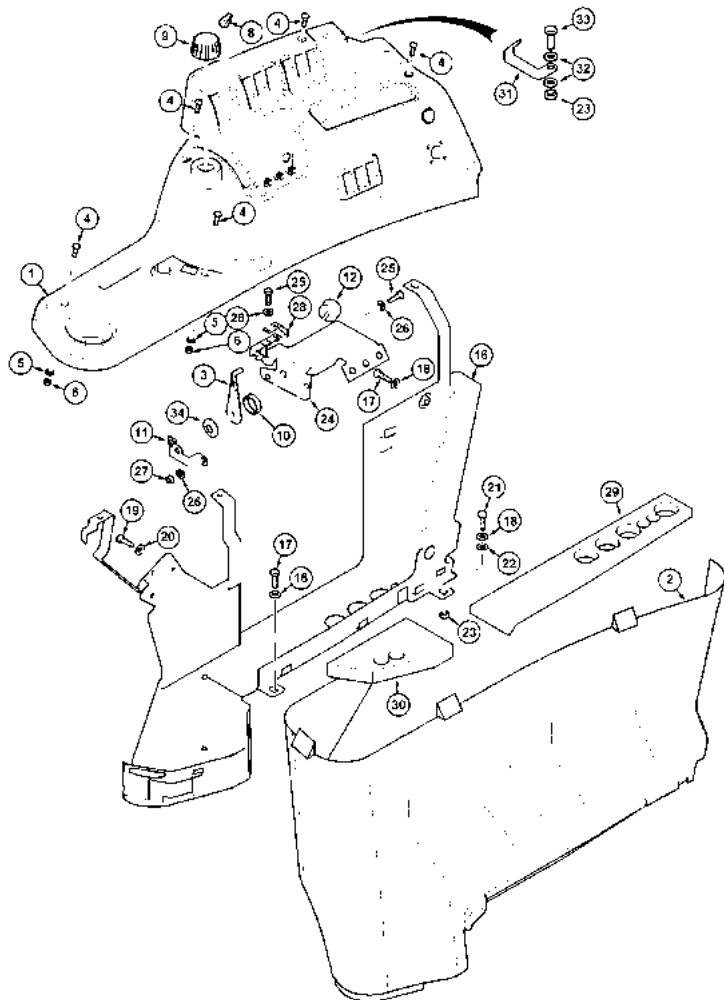
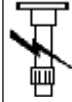
9 - Chassis / Attachments

9 -
035

CONTROL CONSOLE, RIGHT - XTX-Eplus

XTX Series XTX185, XTX200, XTX215 (2005-2007)

9035

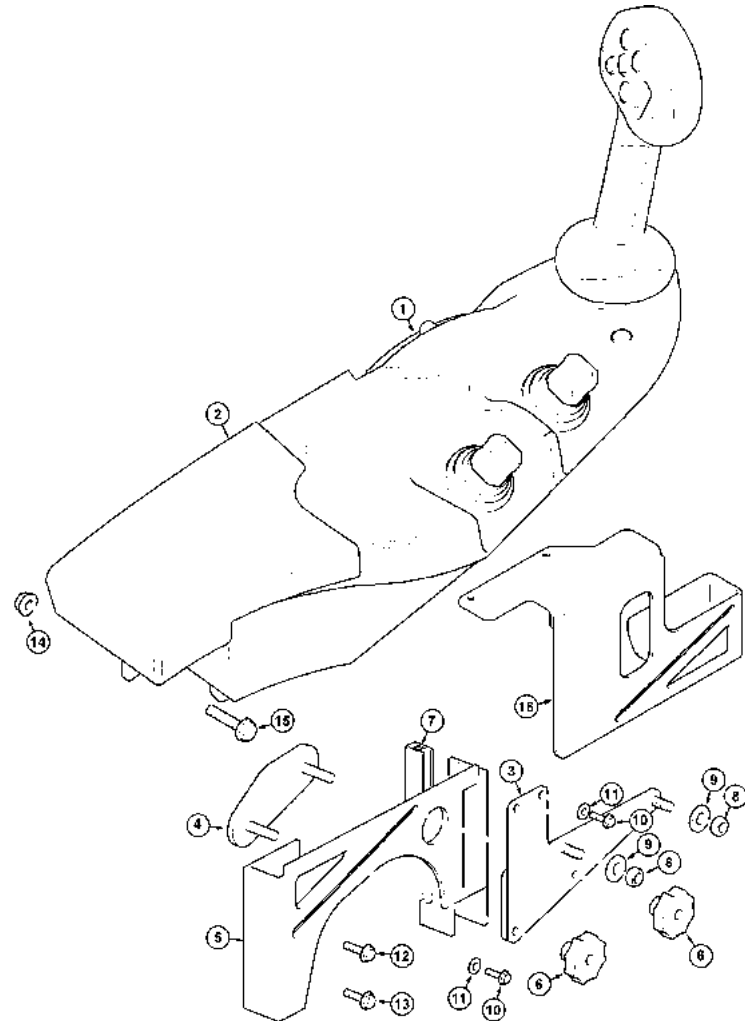
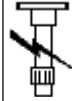


- M8 x 16; 8,8
- 9 x 17 x 1,6 mm
- M10 x 30; 8,8
- M8 x 20; 8,8
- M8; 10
- 11 x 21 x 2 mm
- 9 x 20 x 1,6 mm
- No. 10 x 1
- With Shiftable PTO
- M8 x 30; 8,8
- 8 mm
- Hitch
- M4 x 12
- 4,3 x 9 x 0,8 mm
- M4; 5
- 540 / 1000
- 540E / 1000
- 18ID x 6.8 mm
- FRONT
- REAR

D
Y

XTX Series XTX185, XTX200, XTX215 (2005-2007)

9037



- | | | | | |
|----|-----------|----------------|---|--------------|
| 1 | 710716A1 | | 1 | Control Assy |
| 2 | 700303A2 | | 1 | Cushion |
| 3 | 706213A1 | | 1 | PLATE |
| 4 | 706220A2 | | 1 | Bracket Assy |
| 5 | 706222A1 | | 1 | Plate Assy |
| 6 | 706269A1 | | 2 | Knob |
| 7 | 706265A1 | | 2 | Strip, Adh |
| 8 | 829-1410 | | 2 | NUT |
| 9 | 895-11010 | | 2 | WASHER |
| 10 | 844-8025 | ● 2314H004 (3) | 3 | BOLT |
| 11 | 895-10008 | | 3 | WASHER |
| 12 | 844-8025 | ● 2314H004 (1) | 1 | BOLT |
| 13 | 844-10025 | | 2 | BOLT |
| 14 | 825-5148 | | 2 | NUT |
| 15 | 844-8016 | | 2 | BOLT |
| 16 | 710672A2 | | 2 | Plate Assy |

M8 x 16; 8,8

M8; 8

M8 x 25; 8,8

If So Equipped

11 x 21 x 2 mm

M10 x 25; 8,8

M10; 10

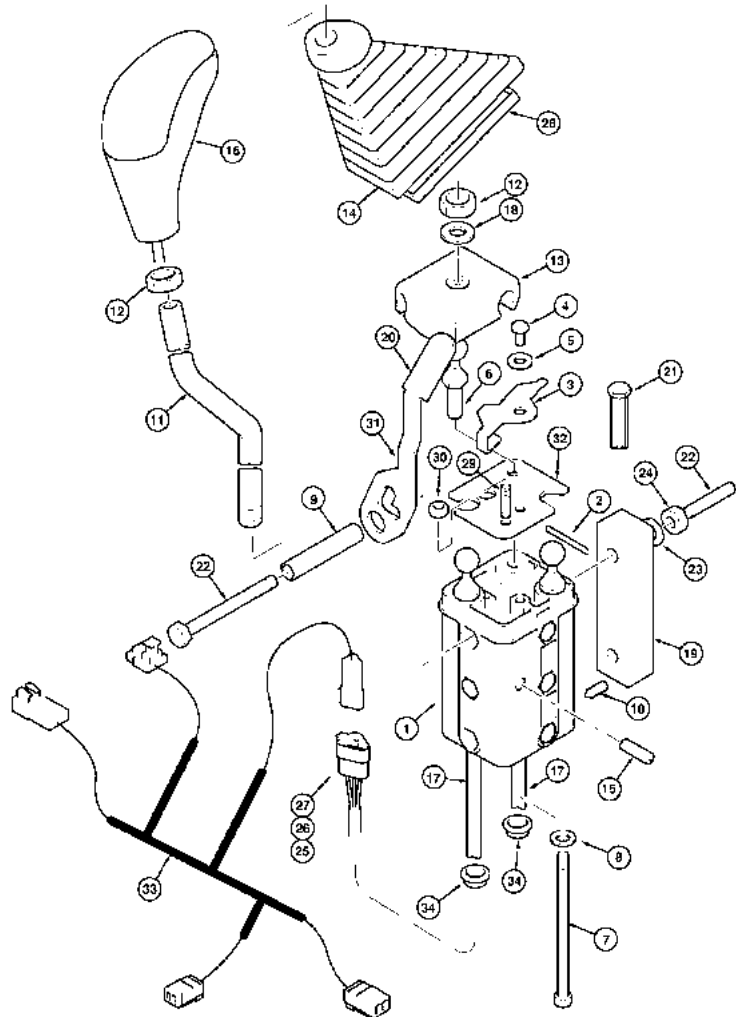
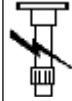
See Page(s): 4-51

150 mm

9 x 16 x 1,6 mm

XTX Series XTX185, XTX200, XTX215 (2005-2007)

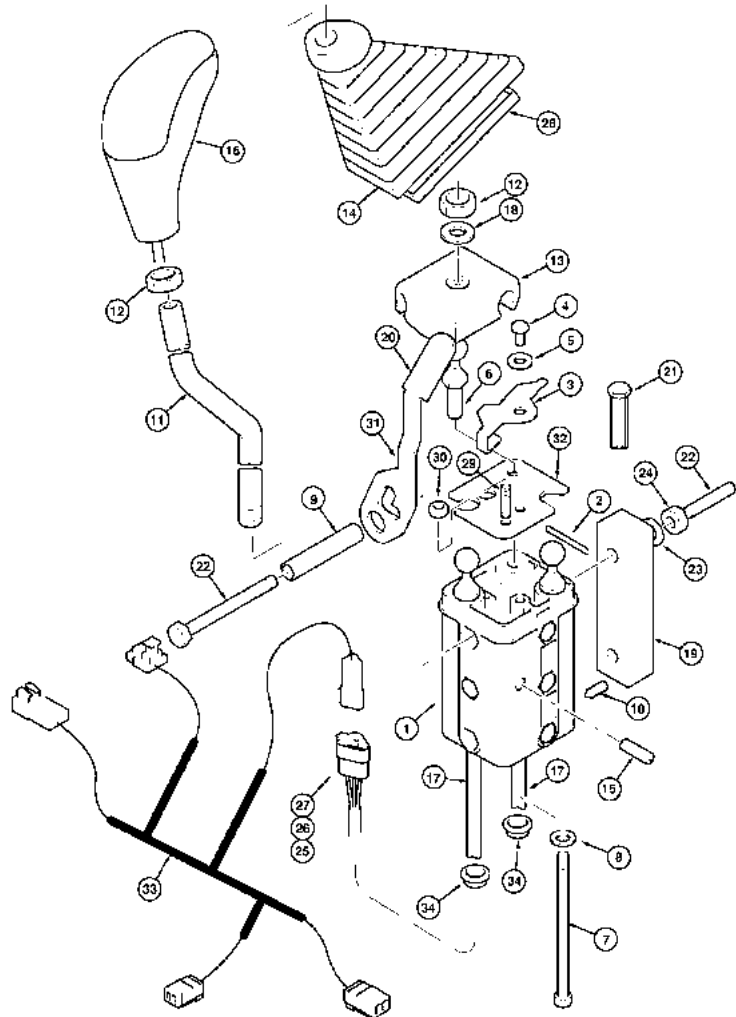
9039



- | | | | |
|----|-----------|---|--------------|
| 1 | 247713A3 | 1 | BODY |
| 1 | 254287A3 | 1 | THROTTLE |
| 1 | 254288A3 | 1 | THROTTLE |
| 2 | 436280A1 | 1 | Lock, Spring |
| 3 | 315179A1 | 1 | Lever |
| 4 | 301-1468 | 2 | Screw |
| 5 | 495-61020 | 1 | LOCK WASHER |
| 6 | 327141A1 | 1 | PILLAR |
| 7 | 864-6080 | 1 | Screw |
| 8 | 495-81102 | 1 | LOCK WASHER |
| 9 | 253279A1 | 2 | SPACER |
| 10 | 878-20814 | 2 | SCREW |
| 11 | 247712A2 | 1 | Lever |
| 12 | 829-23414 | 2 | NUT |
| 13 | 253276A1 | 1 | YOKE |
| 14 | 257604A1 | 1 | BOOT |
| 15 | 738-3422 | 3 | Pin |
| 16 | 246982A2 | 1 | GRIP |

XTX Series XTX185, XTX200, XTX215 (2005-2007)

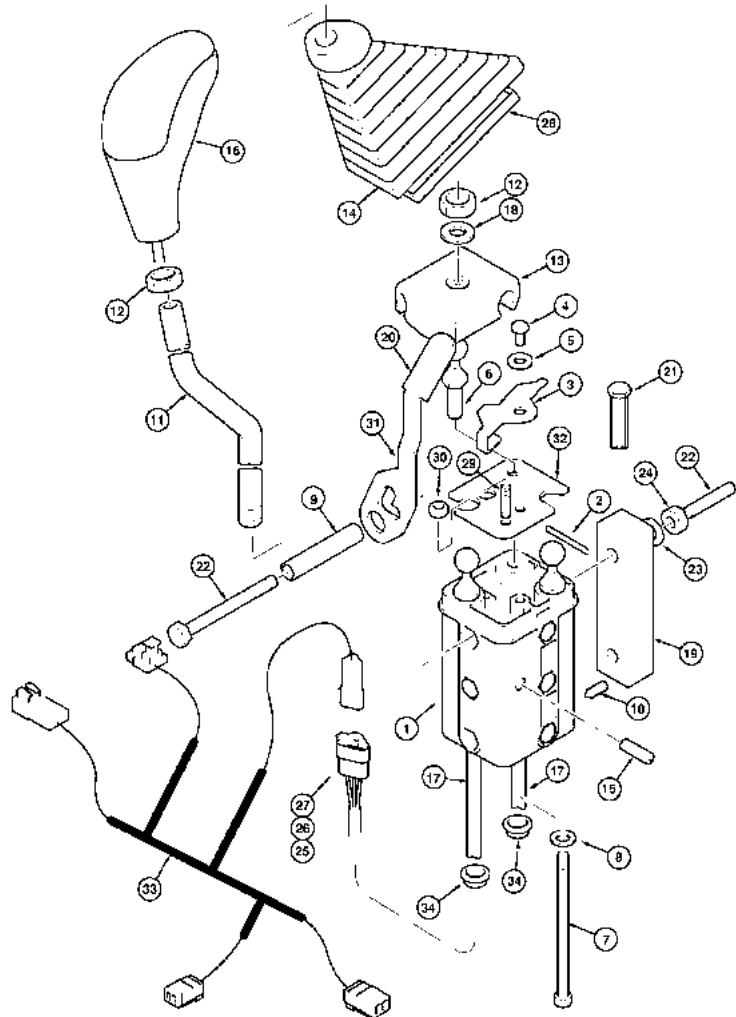
9039



- | | | | | |
|----|-----------|-----------------|---|------------|
| 16 | 246988A2 | | 1 | KNOB |
| 17 | 253271A3 | | 2 | CABLE |
| 18 | 95-31056 | | 1 | Washer |
| 19 | 247716A2 | | 1 | Spacer |
| 20 | 253273A1 | | 1 | Sleeve |
| 21 | 327142A1 | | 1 | Pin |
| 22 | 814-8100 | | 2 | BOLT |
| 23 | 895-11008 | | 2 | WASHER |
| 24 | 832-10408 | | 2 | NUT FNS |
| 25 | 225294C1 | | 1 | COMPLIANCE |
| 26 | 225296C1 | | 1 | SPRAG |
| 27 | 225053C1 | | 1 | CONNECTOR |
| 28 | 241536A1 | | 1 | FRAME |
| 29 | 614-6020 | ● 339666X1 (1) | 1 | BOLT |
| 30 | 832-10406 | ● 1441500X1 (1) | 1 | NUT FNS |
| 31 | 307111A1 | | 1 | Lever |
| 32 | 327140A1 | | 1 | Plate |
| 33 | 442976A1 | | 1 | HARNESS |
| 34 | 182045A1 | | 3 | WALKWAY |

XTX Series XTX185, XTX200, XTX215 (2005-2007)

9039



- M8; 8
- 9 x 17 x 1,6 mm
- If So Equipped
- M6; 8
- M8 x 14
- M8 x 100; 8,8
- 13/64 x 3/4 x 1/16
- M6 x 20; 8,8
- CONTROL
- Double Acting
- M6 x 80; 8,8
- M14; 10
- Loader
- Consists Of: 247713A3,2 - 32
- No 10 x 1/2
- 6,7 x 12,7 x 1,5
- 4 x 22 mm
- 14 x 32 x 2,7 mm
- With Switch
- Without Switch
- Consists Of: 247713A3,2 - 24,28 - 32

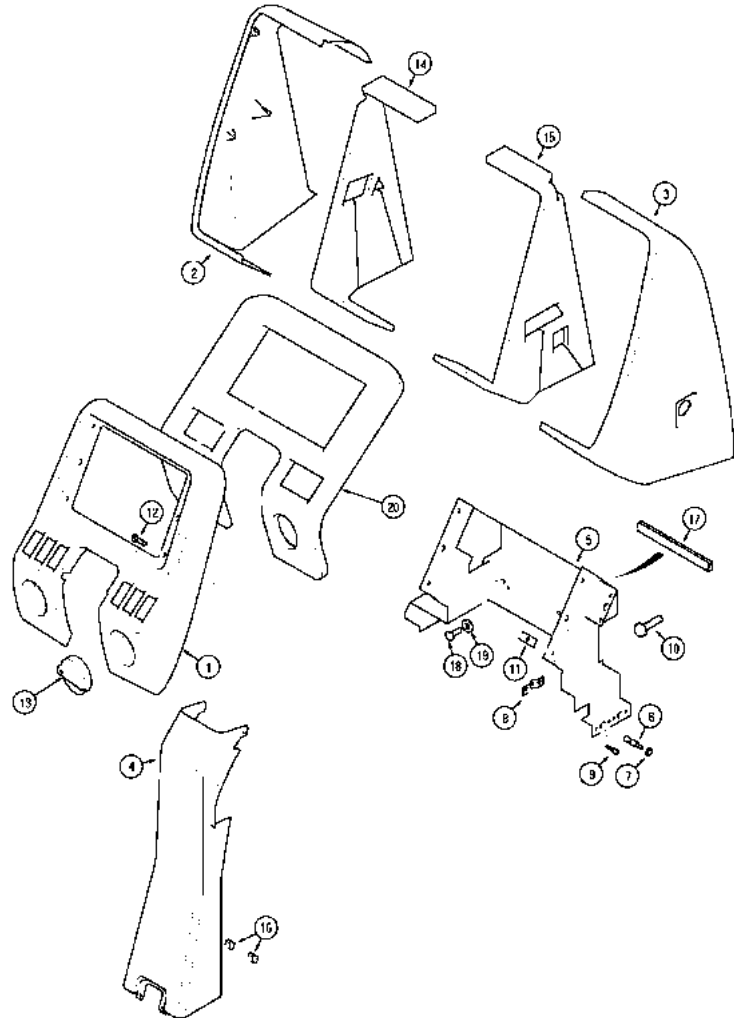
9 - Chassis / Attachments

9 -
041

INSTRUMENT PANEL

XTX Series XTX185, XTX200, XTX215 (2005-2007)

9041



1	710803A1		1	PANEL
1	710804A1		1	Cover
2	194348A5	● 3559539M1 (1) 6510459M1 (1)	1	MUFF
2	702712A2	● 3559539M1 (1) 6510458M1 (1)	1	FACING
3	194349A6		1	MUFF
3	702711A2		1	Cover
4	194350A4		1	MUFF
5	707304A2		1	Support Assy
6	1977929C1		6	STUD
7	495-81101		6	WASHER
8	1961435C1		6	DEVICE
9	151-553		12	RIVET
10	440014A1		4	SCREW
11	131-892		6	NUT
12	260-16512		4	SCREW
13	1331046C2		1	GRIP
14	246255A4		1	PANEL

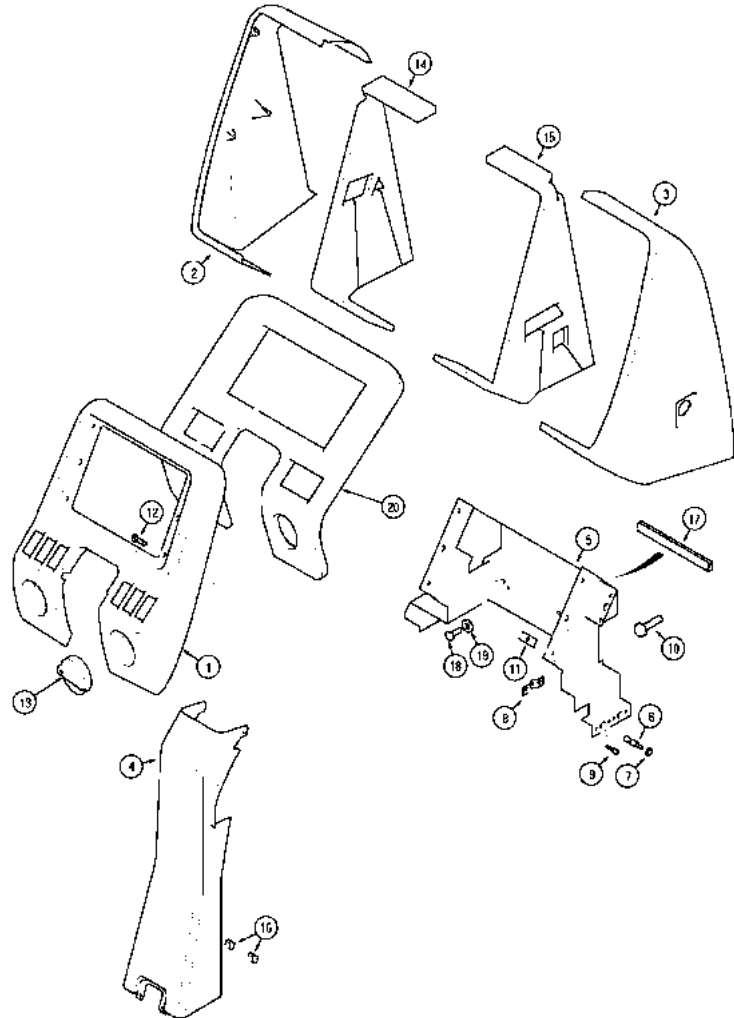
9 - Chassis / Attachments

9 -
041

INSTRUMENT PANEL

XTX Series XTX185, XTX200, XTX215 (2005-2007)

9041



14	702822A1	● 3559539M1 (1) 6510500M1 (1)	1	PANEL
15	246256A4		1	PANEL
15	702821A1		1	PANEL
16	222858A1		2	TIE
17	NSS		1	Trim
18	614-6016		2	BOLT
19	895-11006	● 390971X1 (2)	2	WASHER
20	302919A1		1	INSTRUMENT
200	256196A1		0	ROLLER

6,6 x 12 x 1,6 mm

Left

Right

Bulk Length

M6 x 16; 8,8

N.A. Only

1/8 x 5/16

7/32 x 3/4 x 1/16

No. 10 x 3/4

Cut From: 256196A1

15240 mm

No 10 x 3/8

Cab Suspension

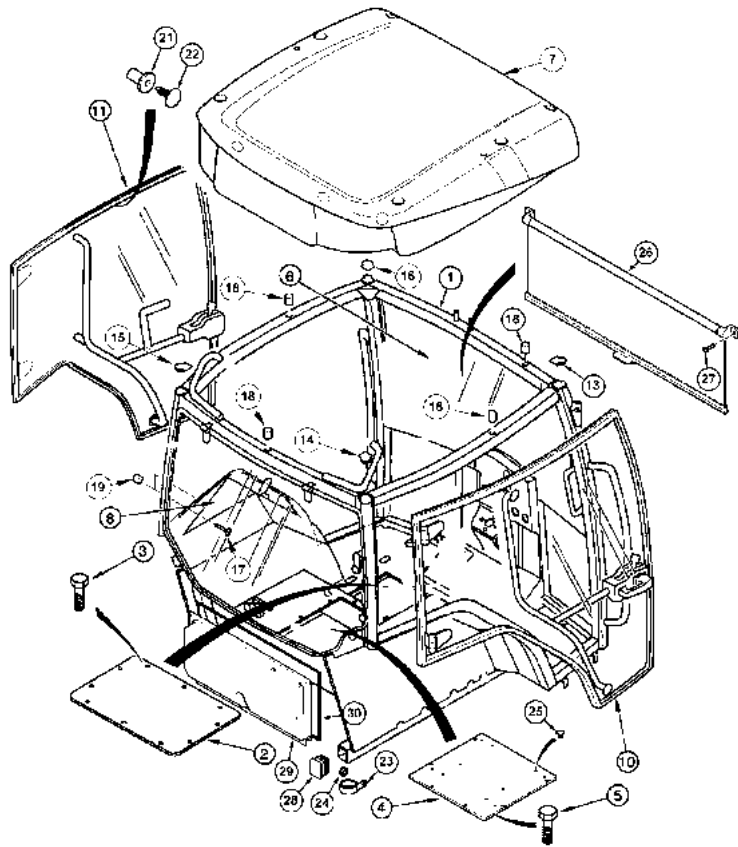
9 - Chassis / Attachments

9 -
043

CAB

XTX Series XTX185, XTX200, XTX215 (2005-2007)

9043



- | | | | |
|----|----------|----|------------|
| 1 | NSS | 1 | Frame Assy |
| 2 | 177602A3 | 1 | PANEL |
| 3 | 844-8012 | 10 | BOLT |
| 4 | 322182A2 | 1 | Panel Assy |
| 5 | 844-8012 | 6 | BOLT |
| 6 | REF | 1 | Windshield |
| 7 | REF | 1 | Roof Assy |
| 8 | 284947A2 | 1 | GLASS |
| 10 | REF | 1 | Door Assy |
| 11 | REF | 1 | Door Assy |
| 13 | 233413A1 | 1 | Plug |
| 14 | 233416A1 | 1 | Plug |
| 15 | 233415A1 | 1 | Plug |

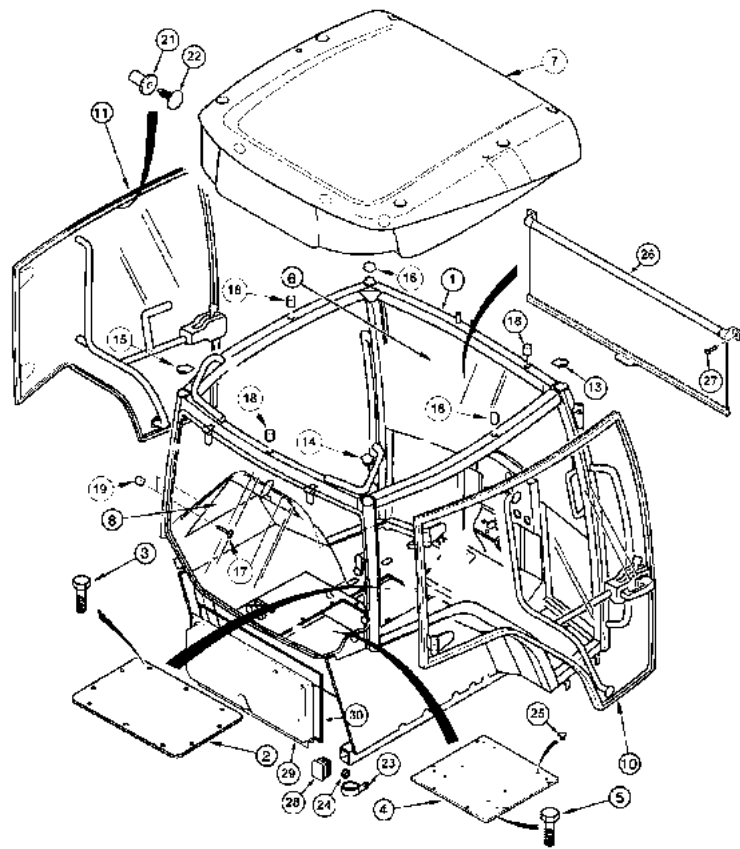
9 - Chassis / Attachments

9 -
043

CAB

XTX Series XTX185, XTX200, XTX215 (2005-2007)

9043



- | | | | | |
|----|-----------|--------------|---|--------|
| 16 | 233414A1 | | 1 | Plug |
| 17 | 151-515 | | 4 | RIVET |
| 18 | 1533637C1 | | 5 | PLUG |
| 19 | 93199C1 | | 4 | PLUG |
| 20 | 3401908R3 | | 2 | PLUG |
| 21 | P35448 | ● F35448 (0) | 0 | INSERT |
| 22 | 93199C1 | | 0 | PLUG |
| 23 | 515-22254 | | 1 | CLAMP |
| 24 | 825-1408 | | 1 | NUT |

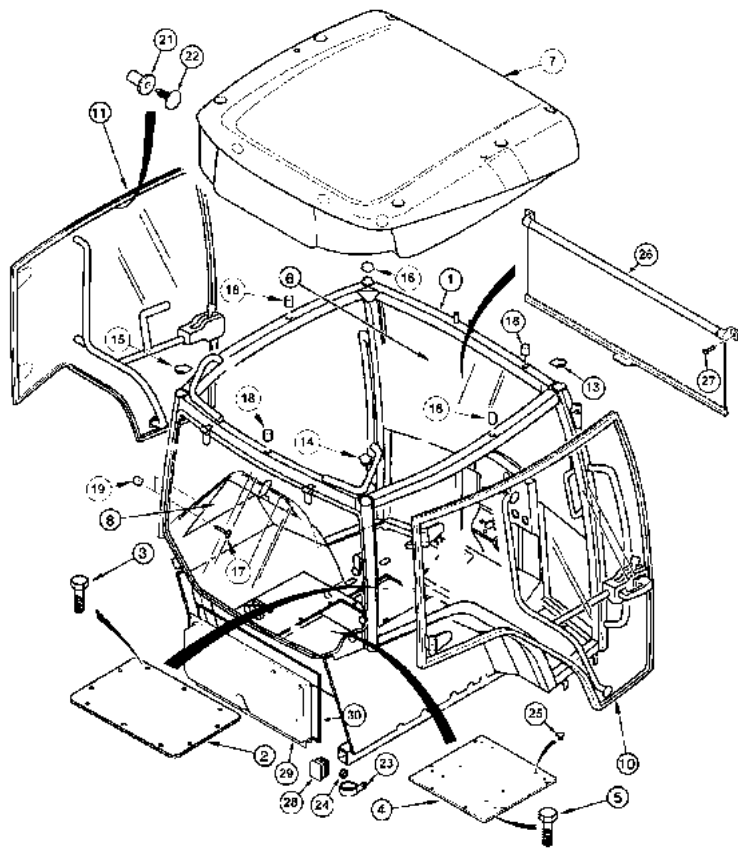
9 - Chassis / Attachments

9 -
043

CAB

XTX Series XTX185, XTX200, XTX215 (2005-2007)

9043



M8; 8

Left

Right

M8 x 12; 8,8

M8

See Page(s): 9-61

19 mm

See Page(s): 9-57

A Post

12,5 mm

C Post

Drain

See Page(s): 9-75

See Page(s): 9-65

See Page(s): 9-59

1 ID

NOT ILLUSTRATED

CONTINUED

REAR

A

B

Y

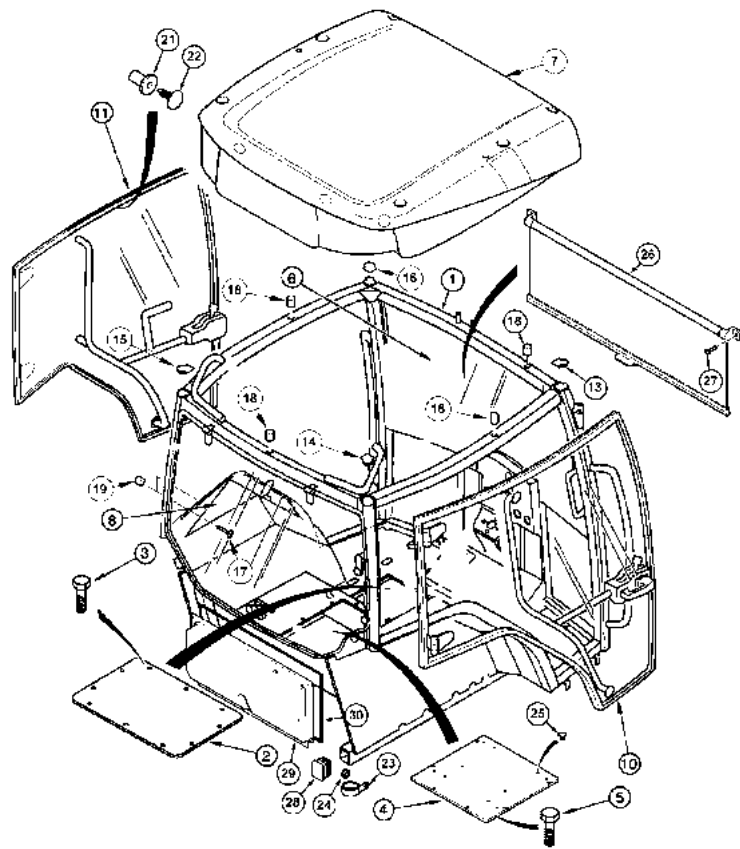
9 - Chassis / Attachments

9 -
045

CAB

XTX Series XTX185, XTX200, XTX215 (2005-2007)

9045



- 25 353-3
- 25 353-62
- 26 225931A2
- 26 395139A2
- 27 780-14625
- 28 321586A1
- 29 710182A2
- 30 710510A1

- 6 Plug
- 6 PLUG
- 1 GLASS
- 1 VISOR
- 2 SCREW
- 2 PLUG
- 1 PANEL
- 1 RING

Optional
N.A. Only
1500 mm
6.3 x 25 mm
Use With: 4
REAR

Y

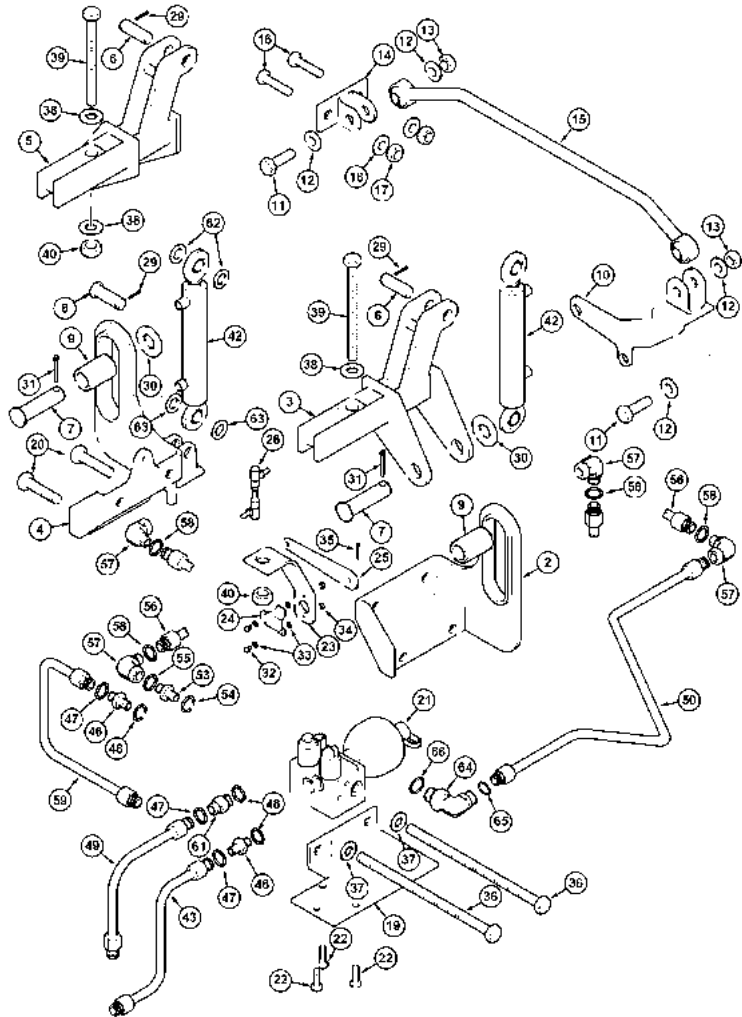
9 - Chassis / Attachments

9 -
047

CAB - SUSPENSION

XTX Series XTX185, XTX200, XTX215 (2005-2007)

9047



- | | | | |
|----|-----------|------------------|----------------|
| 2 | 702106A2 | ● 702106A4 (1) | 1 Support Assy |
| 3 | 702103A2 | | 1 Support Assy |
| 4 | 702107A2 | ● 702107A3 (1) | 1 Support Assy |
| 5 | 702102A2 | ● 3687968M92 (1) | 1 Support Assy |
| 6 | 701579A3 | | 2 Pin |
| 7 | 701425A2 | ● 701425A3 (2) | 2 Pin |
| 8 | 701585A3 | | 2 Pin |
| 9 | 701426A1 | | 2 Roller |
| 10 | 704069A1 | ● 6501228M91 (1) | 1 Bracket Assy |
| 11 | 413-1252 | | 2 BOLT |
| 12 | 495-81044 | | 4 LOCK WASHER |
| 13 | 231-14412 | | 2 NUT FNS |
| 14 | 704359A1 | ● 704359A2 (1) | 1 Bracket Assy |

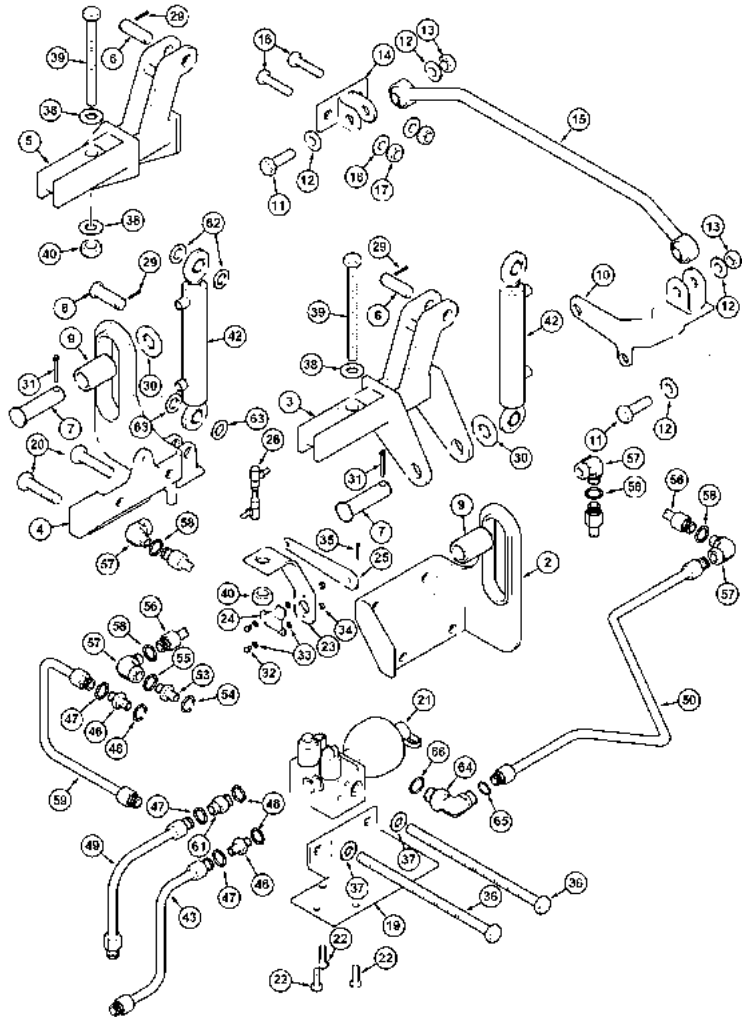
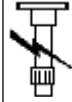
9 - Chassis / Attachments

9 -
047

CAB - SUSPENSION

XTX Series XTX185, XTX200, XTX215 (2005-2007)

9047



- | | | | | | |
|----|-----------|---|----------------|---|--------------|
| 14 | 708056A1 | ● | 708056A2 (1) | 1 | Bracket Assy |
| 15 | 704354A1 | ● | 6517208M92 (1) | 1 | Rod Assy |
| 16 | 814-12090 | | | 2 | BOLT |
| 17 | 829-1412 | | | 2 | NUT |
| 18 | 896-15012 | | | 4 | WASHER |
| 19 | 704039A2 | ● | 3687727M1 (1) | 1 | Bracket |
| 20 | 627-16050 | | | 4 | BOLT |
| 21 | 708306A1 | | | 1 | Manifold |
| 22 | 844-10020 | | | 3 | BOLT |
| 23 | 705499A3 | | | 1 | Bracket |
| 24 | 704143A1 | | | 1 | SENSOR |
| 25 | 705177A2 | | | 1 | Lever |
| 26 | 238855A1 | ● | 4217291M91 (1) | 1 | BALL JOINT |
| 29 | 733-3232 | | | 4 | Pin, Cotter |
| 30 | 896-11027 | | | 2 | WASHER |
| 31 | 733-3250 | | | 2 | Pin, Cotter |

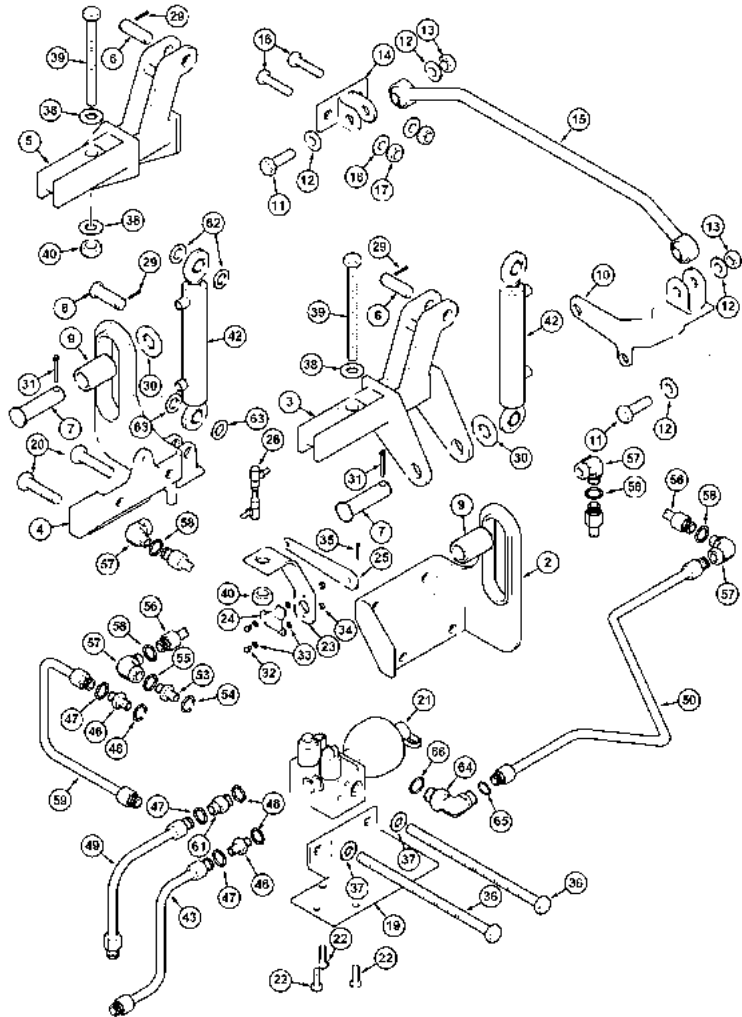
9 - Chassis / Attachments

9 -
047

CAB - SUSPENSION

XTX Series XTX185, XTX200, XTX215 (2005-2007)

9047



- Left
- Right
- M10 x 20; 8,8
- 3/4
- Cylinder
- M12; 10
- 76 mm
- 3/4 x 3-1/4
- CAB
- 13,5 x 28 x 4 mm
- M12 x 90; 8,8
- M16 x 50; 10,9
- See Page(s): 8-91
- 29 x 50 x 5mm
- 3,2 x 50 mm
- #XTX-M
- #XTX-E / Eplus
- CONTINUED

B

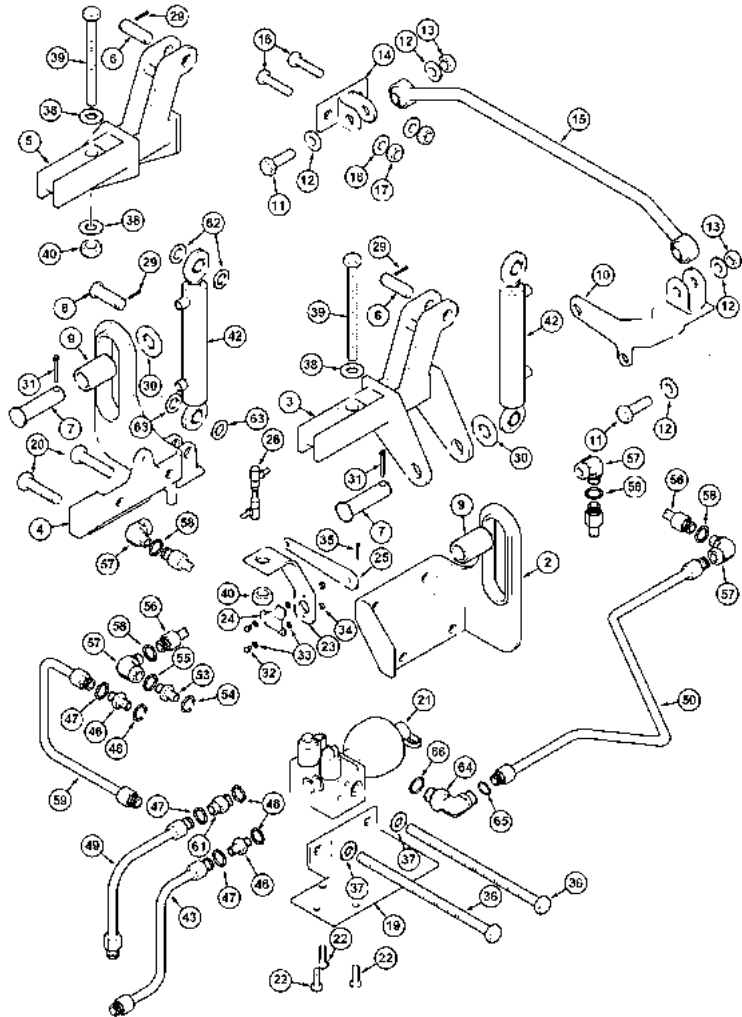
9 - Chassis / Attachments

9 -
049

CAB - SUSPENSION

XTX Series XTX185, XTX200, XTX215 (2005-2007)

9049



- | | | | | |
|----|-----------|---|---|------------|
| 32 | 614-4020 | | 2 | SCREW |
| 33 | 895-30108 | | 4 | Washer |
| 34 | 824-1404 | | 2 | NUT |
| 35 | 733-2012 | | 1 | PIN |
| 36 | 827-16170 | ● | 4 | SCREW |
| 37 | 896-11016 | ● | 9 | WASHER |
| 38 | 897278H1 | | 4 | WASHER |
| 39 | 827-16090 | ● | 2 | SCREW |
| 40 | 829-1416 | | 2 | NUT |
| 42 | 705441A1 | ● | 2 | CYLINDER |
| 43 | 707270A1 | | 1 | Hose Assy |
| 46 | 700-101 | | 2 | COMPLIANCE |
| 47 | 238-6012 | | 1 | INSTANT GA |
| 48 | 637-63113 | | 1 | RING |
| 49 | 710734A1 | | 1 | TUBE ASSY |

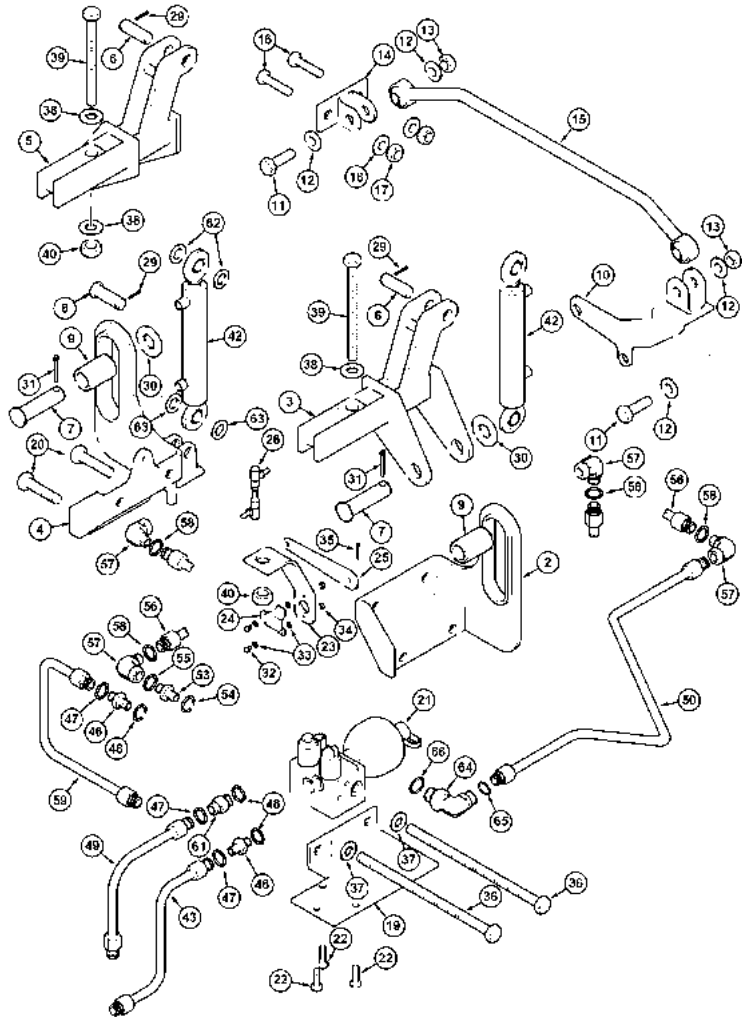
9 - Chassis / Attachments

9 -
049

CAB - SUSPENSION

XTX Series XTX185, XTX200, XTX215 (2005-2007)

9049



- | | | | | |
|----|-----------|----------------|---|------------|
| 50 | 710737A1 | | 1 | TUBE ASSY |
| 51 | 711016A1 | | 1 | Bracket |
| 53 | 700-106 | | 1 | UNION |
| 54 | 637-63153 | | 1 | RING |
| 55 | 238-6012 | | 1 | INSTANT GA |
| 56 | 707270A1 | | 2 | Hose Assy |
| 57 | 701-319 | | 4 | ELBOW |
| 58 | 238-6012 | | 1 | INSTANT GA |
| 59 | 710735A1 | | 1 | TUBE ASSY |
| 60 | REF | | 2 | Decal, War |
| 61 | 223971A1 | ● 713966A2 (1) | 1 | VALVE |
| 62 | 710928A1 | | 4 | Washer, Sp |
| 63 | 710927A1 | | 4 | Washer, Sp |

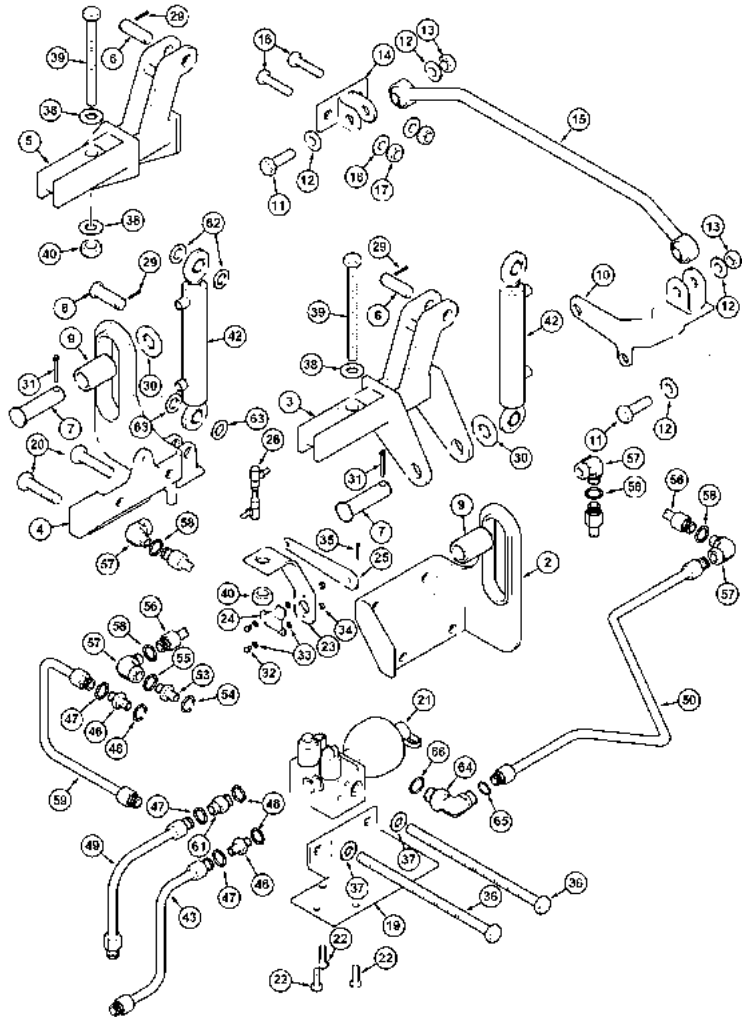
9 - Chassis / Attachments

9 -
049

CAB - SUSPENSION

XTX Series XTX185, XTX200, XTX215 (2005-2007)

9049



- 64 700-345
- 65 238-6016
- 66 637-63193

- 1 ELBOW
- 1 INSTANT GA
- 1 INSTANT GA

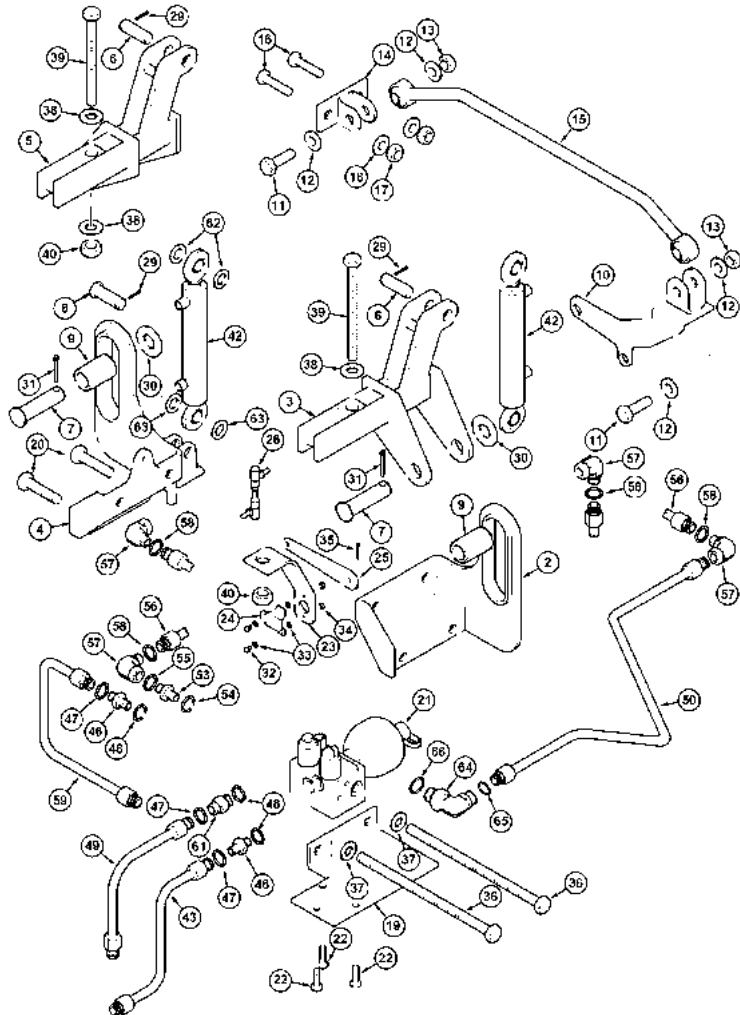
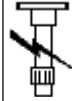
9 - Chassis / Attachments

9 -
049

CAB - SUSPENSION

XTX Series XTX185, XTX200, XTX215 (2005-2007)

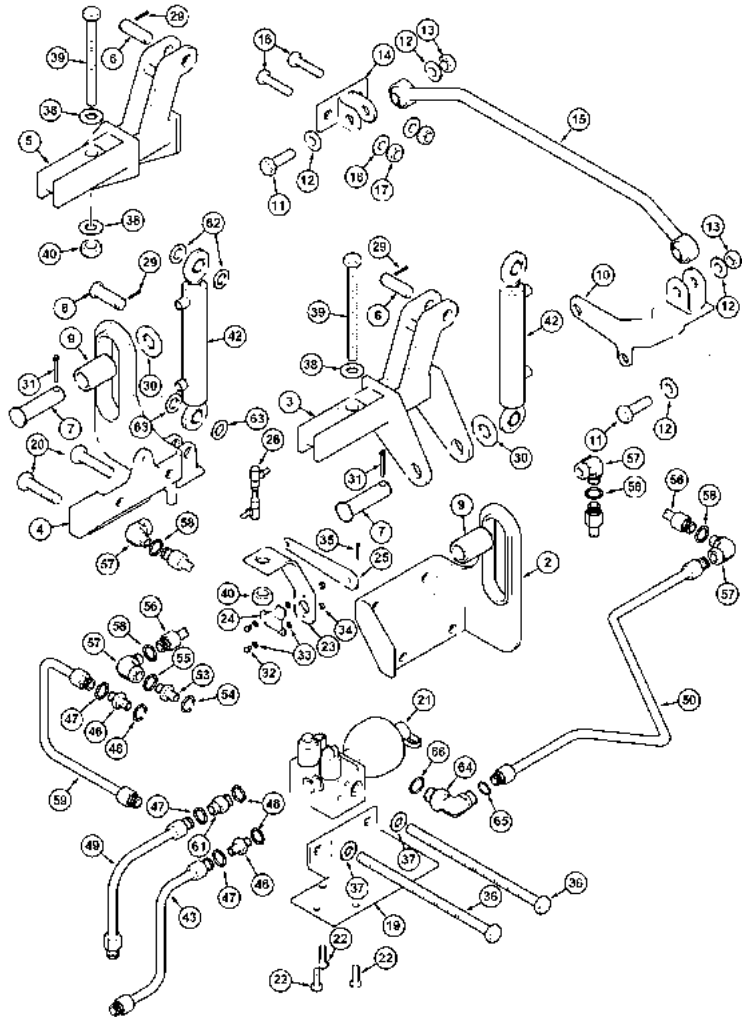
9049



- Left
- 6 mm
- PLASTIC
- 17,5 x 30 x 4 mm
- 5/8 ID x 1/16
- Includes: 47,48
- 3/8 ID x 1/16
- 11,3 ID x 2,2 mm
- Includes: 54,55
- M16; 10
- 2 x 12 mm
- Return
- Supply
- 19,3 ID x 2,2 mm
- M4; 5
- Includes: 65,66
- 430 mm
- 15,3 ID x 2,2 mm
- M16 x 170; 10,9
- M16 x 90; 10,9
- See Page(s): 8-93
- 4,4 x 15 x 1,2 mm
- M4 x 20; 8,8
- Includes: 58
- 3 MM
- See Page(s): 9-175
- Signal

XTX Series XTX185, XTX200, XTX215 (2005-2007)

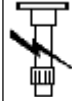
9049



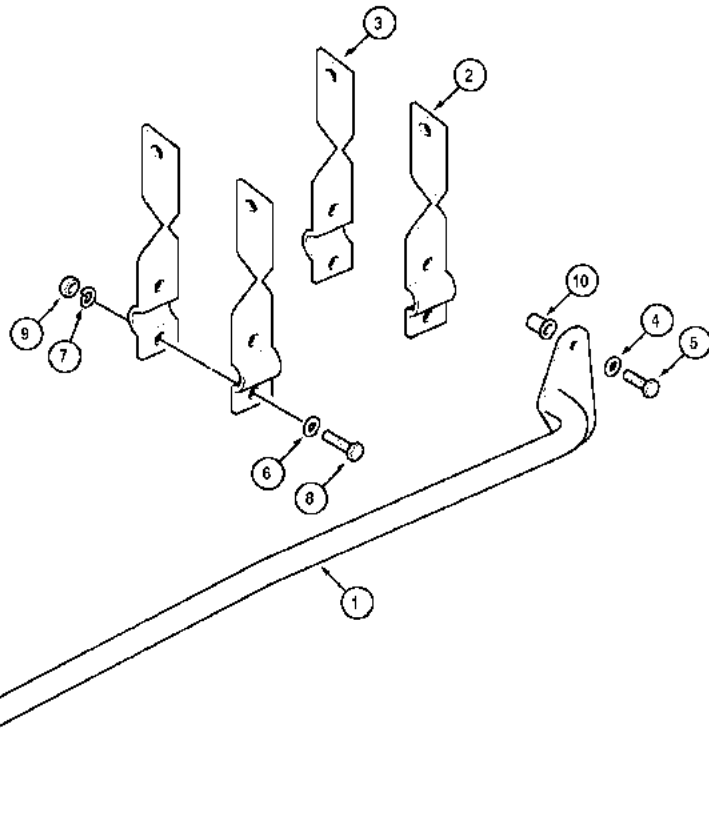
A

NOT ILLUSTRATED

XTX Series XTX185, XTX200, XTX215 (2005-2007)



9051



- | | | | |
|----|-----------|---|------------|
| 1 | 225943A2 | 1 | SUPPORT |
| 2 | 280149A1 | 2 | STRAP |
| 3 | 280150A1 | 2 | STRAP |
| 4 | 892-12008 | 4 | Washer, Sp |
| 5 | 614-8020 | 4 | SCREW |
| 6 | 896-12008 | 4 | WASHER |
| 7 | 892-11008 | 4 | WASHER |
| 8 | 628-8025 | 4 | SCREW |
| 9 | 829-1310 | 4 | NUT |
| 10 | P35448 | 4 | INSERT |

M8 x 20; 8,8

9 x 17 x 2 mm

M8

M10; 10

M8 x 25; 10.9

8 mm

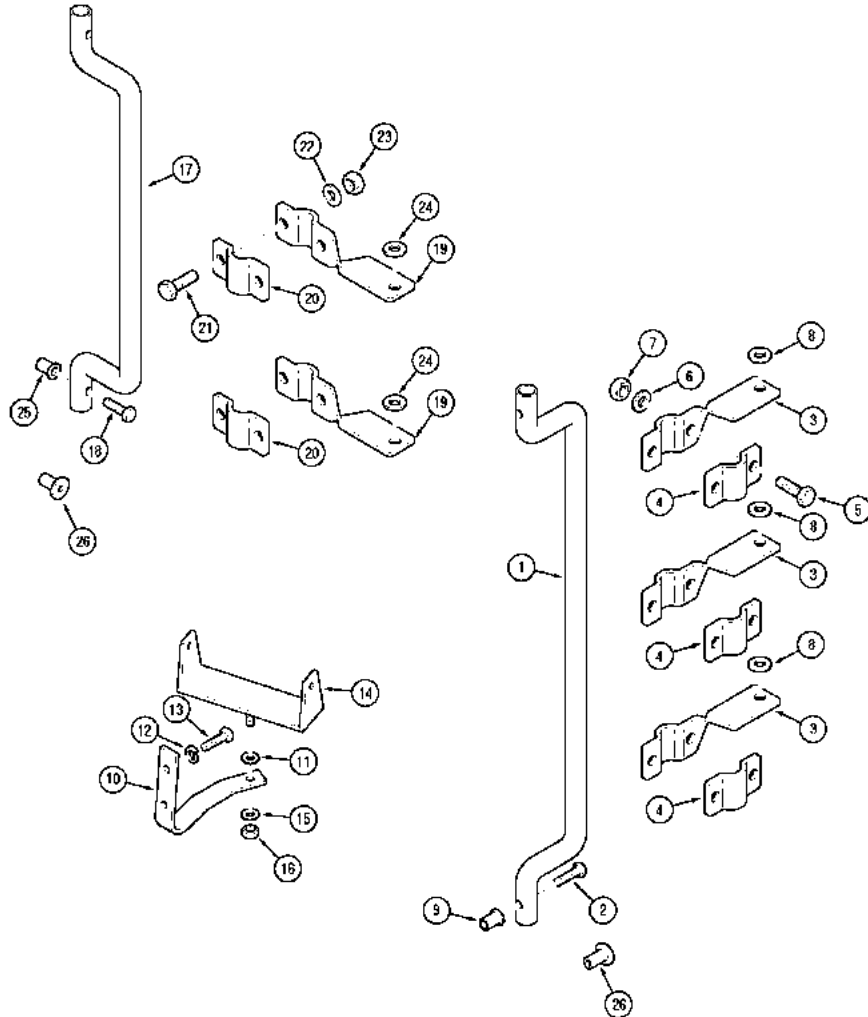
9 - Chassis / Attachments

9 -
053

MONITOR MOUNTING

XTX Series XTX185, XTX200, XTX215 (2005-2007)

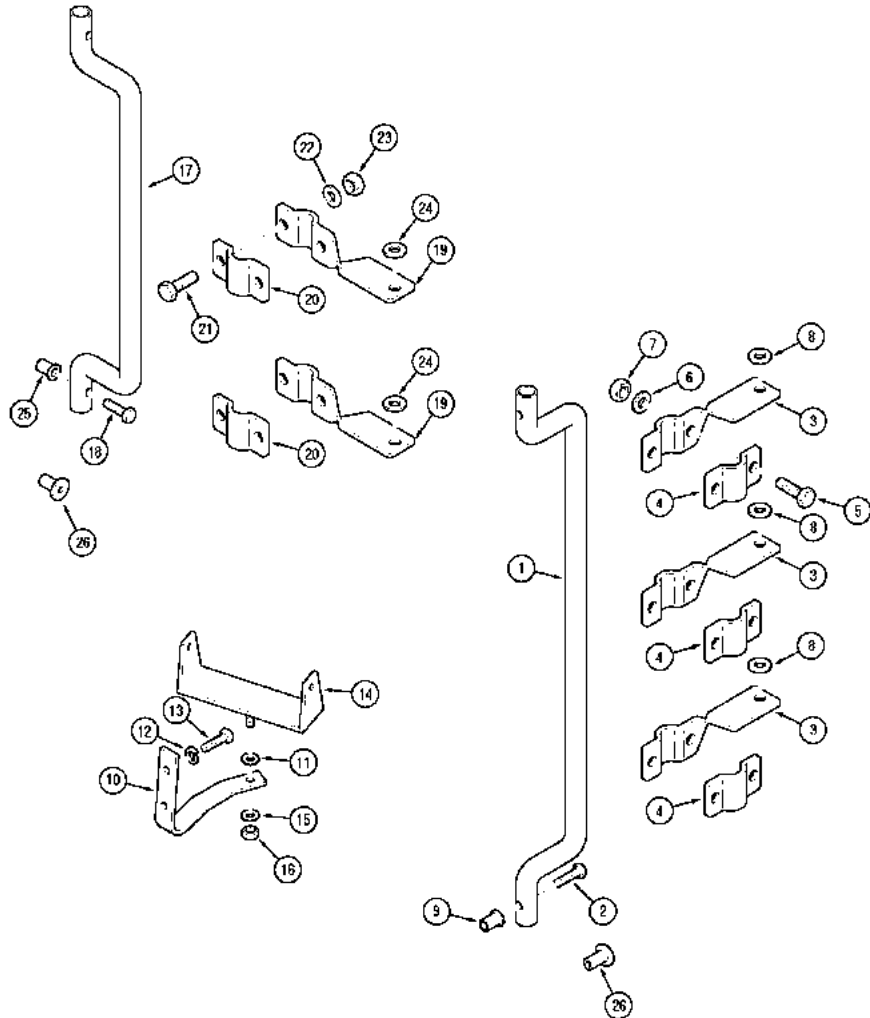
9053



- | | | | | |
|----|------------|--------------|---|------------|
| 1 | 104466A1 | | 1 | BAR |
| 2 | 304469A1 | | 2 | BOLT |
| 3 | 103213A1 | | 3 | Bracket |
| 4 | 103226A1 | | 3 | CONNECTOR |
| 5 | 615-8025 | | 6 | BOLT |
| 6 | 896-12008 | | 6 | WASHER |
| 7 | 832-10408 | | 6 | NUT FNS |
| 8 | 96814C3 | | 3 | Washer |
| 9 | P35448 | ● F35448 (2) | 2 | INSERT |
| 10 | 1960456C1 | | 1 | STIRRUP |
| 11 | 96814C3 | | 1 | Washer |
| 12 | 892-12008 | | 2 | Washer, Sp |
| 13 | 615-8025 | | 2 | BOLT |
| 14 | 1261523C91 | | 1 | Bracket |
| 15 | 896-12008 | | 1 | WASHER |
| 16 | 231-1435 | | 1 | NUT |

XTX Series XTX185, XTX200, XTX215 (2005-2007)

9053



- | | | | | |
|----|-----------|--------------|---|-----------|
| 17 | 103212A1 | | 1 | BAR |
| 18 | 304469A1 | | 2 | BOLT |
| 19 | 103213A1 | | 2 | Bracket |
| 20 | 103226A1 | | 2 | CONNECTOR |
| 21 | 615-8025 | | 4 | BOLT |
| 22 | 896-12008 | | 4 | WASHER |
| 23 | 832-10408 | | 4 | NUT FNS |
| 24 | 96814C3 | | 2 | Washer |
| 25 | P35448 | ● F35448 (2) | 2 | INSERT |
| 26 | 93199C1 | | 2 | PLUG |

M8; 8
M8 x 25; 8,8
9 x 17 x 2 mm
M8 x 30
If So Equipped
M8
Optional
8 mm
A Post
556 mm
5/16-18
C Post
356 mm
Plug, Blanking

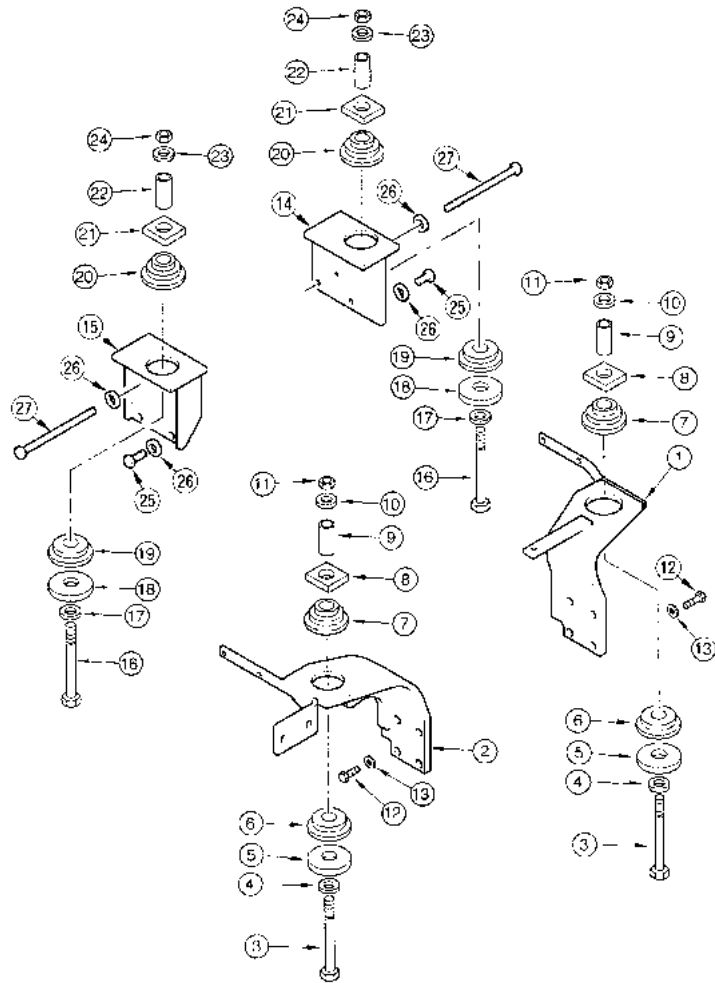
9 - Chassis / Attachments

9 -
055

CAB MOUNTINGS

XTX Series XTX185, XTX200, XTX215 (2005-2007)

9055



- | | | | | |
|---|-----------|-----------------------------------|---|--------------|
| 1 | 238347A5 | | 1 | BRACE |
| 1 | 711239A1 | | 1 | Bracket Assy |
| 2 | 238348A4 | | 1 | BRACE |
| 2 | 711240A1 | | 1 | Bracket Assy |
| 3 | 179040A1 | | 2 | BOLT |
| 3 | 827-16090 | ● 3008974X1 (2) | 2 | SCREW |
| 4 | 896-11016 | ● 3019575X1 (2) | 2 | WASHER |
| 5 | 366777A1 | ● 3687821M1 (2) | 2 | DRIVING |
| 6 | 1286903C1 | | 2 | INSULATOR |
| 7 | 192337A1 | ● 6514121M91 (2)
6514122M1 (2) | 2 | BLOCK |

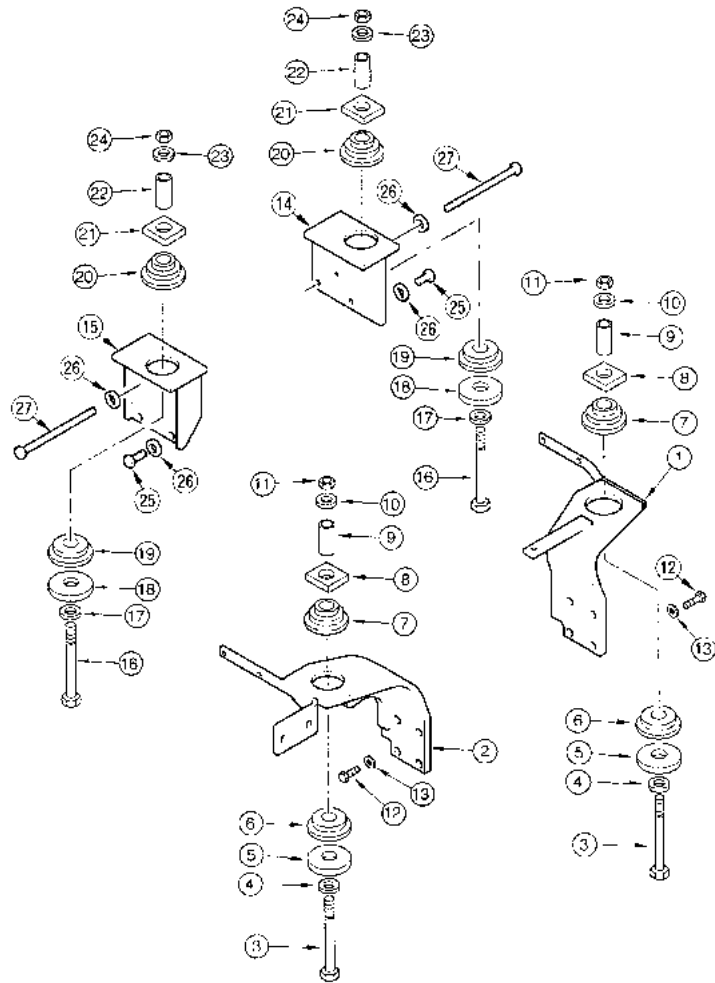
9 - Chassis / Attachments

9 -
055

CAB MOUNTINGS

XTX Series XTX185, XTX200, XTX215 (2005-2007)

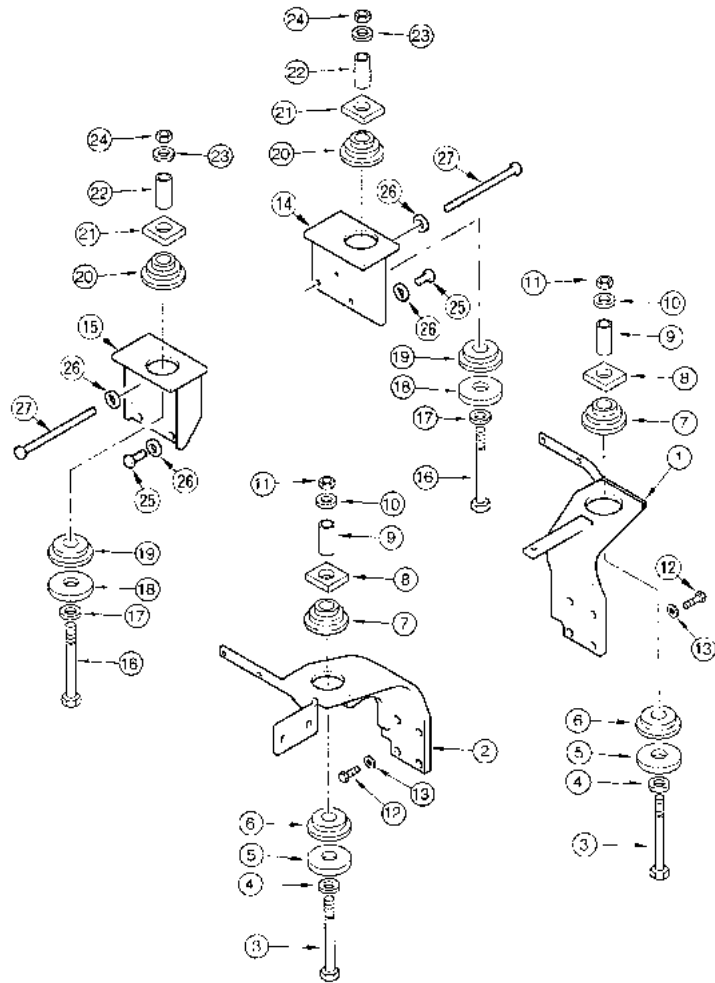
9055



- | | | | | |
|----|-----------|-----------------------------------|---|-----------|
| 8 | 178659A1 | | 2 | PLATE |
| 9 | 184262A1 | | 2 | DRIVING |
| 10 | 897278H1 | | 2 | WASHER |
| 11 | 829-1416 | | 2 | NUT |
| 12 | 628-16060 | | 8 | BOLT |
| 13 | 896-16016 | | 8 | WASHER |
| 14 | 238349A2 | ● 238349A3 (1) | 1 | BRACE |
| 15 | 238350A2 | ● 238350A3 (1) | 1 | BRACE |
| 16 | 179040A1 | | 2 | BOLT |
| 17 | 896-11016 | ● 3019575X1 (2) | 2 | WASHER |
| 18 | 366777A1 | ● 3687821M1 (2) | 2 | DRIVING |
| 19 | 1286903C1 | | 2 | INSULATOR |
| 20 | 192337A1 | ● 6514121M91 (2)
6514122M1 (2) | 2 | BLOCK |
| 21 | 178659A1 | | 2 | PLATE |
| 22 | 184262A1 | | 2 | DRIVING |
| 23 | 897278H1 | | 2 | WASHER |
| 24 | 829-1416 | | 2 | NUT |
| 25 | 627-16040 | ● 3010577X1 (4) | 4 | BOLT |

XTX Series XTX185, XTX200, XTX215 (2005-2007)

9055



- | | | | | |
|----|-----------|-----------------|---|--------|
| 26 | 896-12016 | | 8 | WASHER |
| 27 | 827-16170 | ● 3685359X1 (4) | 4 | SCREW |

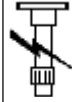
Upper
 LOWER
 12 mm
 Front, Right
 Front, Left
 17,5 x 30 x 4 mm
 Illustrated
 M16; 10
 17,5 x 34 x 5 mm
 Rear, Right
 Rear, Left
 M16 x 60; 10,9
 M16 x 40; 10,9
 M16 x 170; 10,9
 M16 x 90; 10,9
 Cab Suspension

9 - Chassis / Attachments

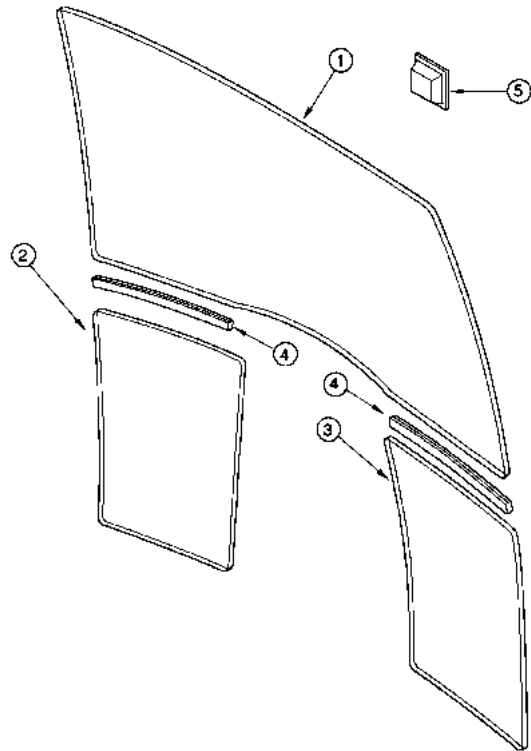
9 -
057

WINDSHIELD

XTX Series XTX185, XTX200, XTX215 (2005-2007)



9057



1	190032A5	●	4219072M1 (1)	1	GLASS
1	190034A5	●	4219072M1 (1)	1	GLASS
1	707453A1			1	Glass
1	707785A1			1	Glass
1	710248A1			1	GLASS
2	190030A5			1	GLASS
2	710247A1			1	GLASS
3	190029A5			1	GLASS
3	710246A1			1	GLASS
4	244630A1			2	GASKET
5	P741441			0	SHIM

Europe Only
N.A. Only
Lower Right
Lower Left
With Cab Suspension
50 km/h

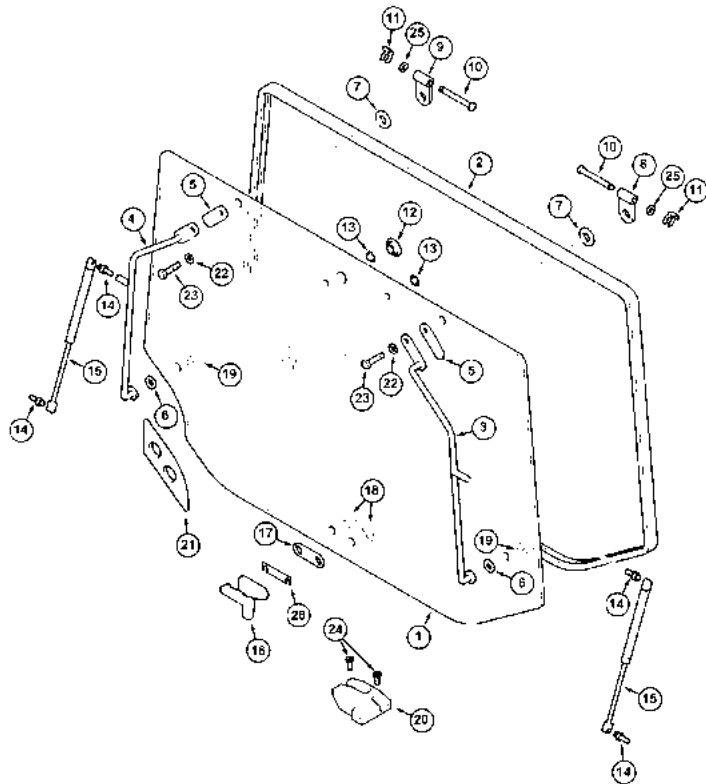
9 - Chassis / Attachments

9 -
059

REAR WINDOW

XTX Series XTX185, XTX200, XTX215 (2005-2007)

9059



- | | | | | | |
|----|-----------|---|-------------------------------|-------|-------------|
| 1 | 284947A2 | | 1 | GLASS | |
| 1 | 303449A3 | ● | 4213349M99 (1) | 1 | GLASS |
| 2 | 710783A1 | ● | 4220288M2 (1) | 1 | Seal |
| 3 | 284952A1 | ● | 284952A2 (1) | 1 | Handle Assy |
| 4 | 284955A1 | ● | 284955A2 (1) | 1 | Handle Assy |
| 5 | 227275A3 | | | 2 | PLATE |
| 6 | 221429A2 | ● | 180361A2 (2)
4215300M1 (4) | 2 | DRIVING |
| 7 | 180361A2 | | | 2 | GASKET |
| 8 | 176245A2 | ● | 4213340M91 (1) | 1 | CARRIAGE |
| 9 | 176246A2 | ● | 4213352M91 (1) | 1 | CARRIAGE |
| 10 | 1535323C1 | ● | 3683796M1 (2) | 2 | PIN |
| 11 | 800-437 | | | 2 | RING |
| 12 | 192012A4 | | | 1 | PLUG |
| 13 | 192013A4 | | | 2 | PLUG |
| 14 | 712990A1 | ● | 3555404M1 (4) | 4 | Stud, Ball |
| 15 | 189447A2 | | | 2 | RAM |
| 16 | 230009A4 | | | 1 | HANDLE |
| 17 | 220935A3 | | | 1 | PLATE |

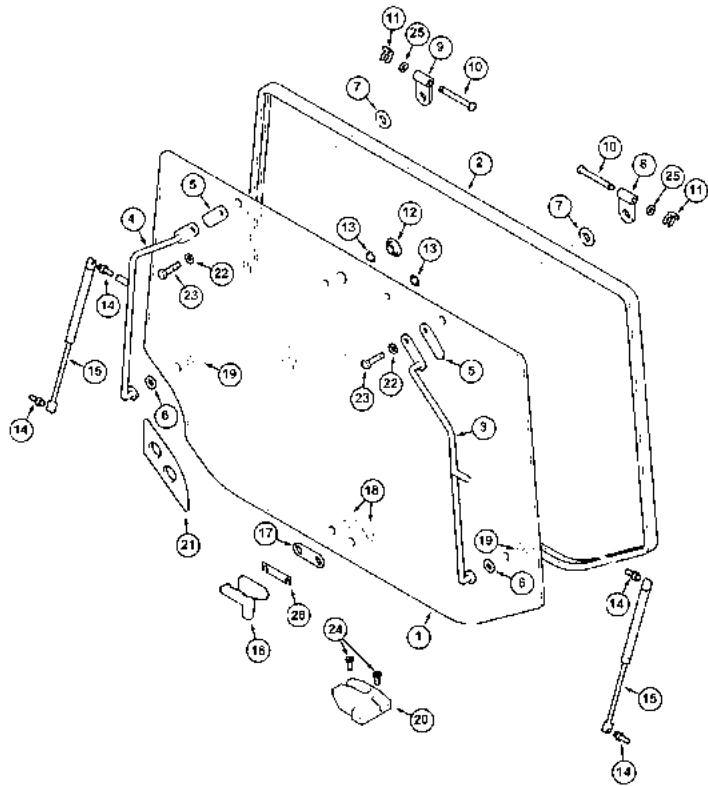
9 - Chassis / Attachments

9 -
059

REAR WINDOW

XTX Series XTX185, XTX200, XTX215 (2005-2007)

9059



- | | | | | |
|----|-----------|----------------|---|----------|
| 18 | 198913A3 | | 2 | CAP |
| 19 | 198916A2 | | 2 | CAP |
| 20 | 186149A4 | | 1 | SUPPORT |
| 21 | 189566A1 | | 1 | CHOCK |
| 22 | 319961A1 | | 2 | WASHER |
| 22 | 895-11006 | ● 390971X1 (2) | 2 | WASHER |
| 23 | 627-6020 | | 2 | BOLT |
| 24 | 761-14622 | | 2 | SETSCREW |
| 25 | 895-11008 | | 2 | WASHER |
| 26 | 711146A1 | | 0 | SPACER |

6,6 x 12 x 1,6 mm

9 x 17 x 1,6 mm

Left

Right

7 mm

M6 x 20; 10,9

M6 x 12.5

Consists Of: 284947A2,2 - 24

4935 mm



LEFT HAND



RIGHT HAND

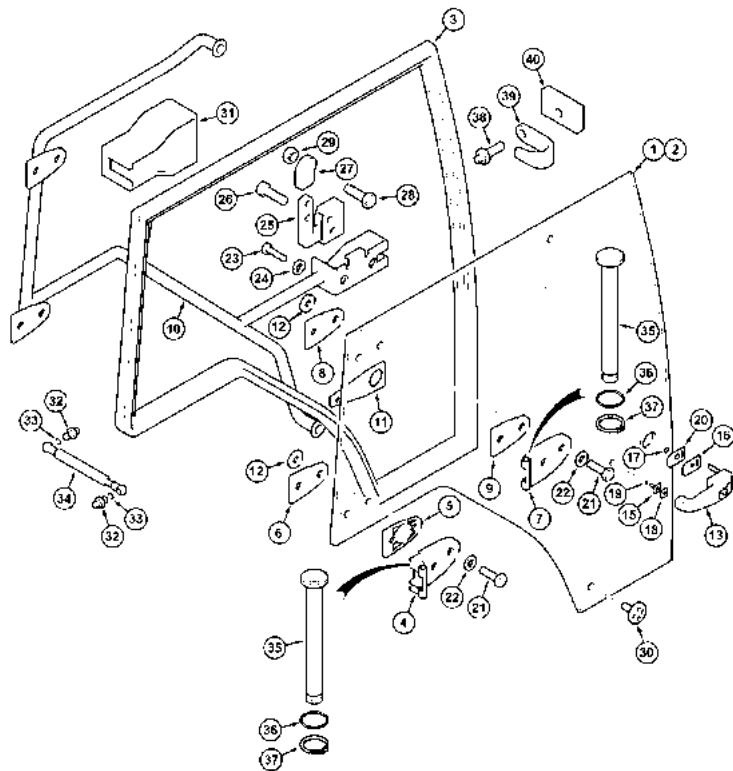
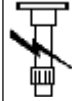
9 - Chassis / Attachments

9 -
061

DOOR - RIGHT

XTX Series XTX185, XTX200, XTX215 (2005-2007)

9061



- | | | | | | |
|----|----------|---|-------------------------------|---|-------------|
| 1 | 710913A1 | ● | 6511093M92 (1) | 1 | Door Assy |
| 2 | 708956A3 | ● | N.L.S. (1) | 1 | GLASS |
| 3 | 710783A1 | ● | 4220288M2 (1) | 1 | Seal |
| 4 | 191207A4 | | | 1 | HINGE |
| 5 | 709193A1 | | | 1 | Spacer |
| 6 | 709194A1 | ● | 4217362M1 (1) | 1 | Spacer |
| 7 | 709192A3 | | | 1 | HINGE |
| 8 | 709190A1 | | | 1 | Spacer |
| 9 | 709191A1 | | | 1 | Spacer |
| 10 | 710966A3 | ● | N.L.S. (1) | 1 | Handle Assy |
| 11 | 191939A3 | | | 1 | SPACER |
| 12 | 221429A2 | ● | 180361A2 (4)
4215300M1 (8) | 4 | DRIVING |
| 13 | 705396A1 | | | 1 | KNOB |
| 14 | 705397A1 | ● | 705366A1 (1)
705364A1 (1) | 1 | KIT |
| 15 | 705366A1 | | | 1 | Bezel |

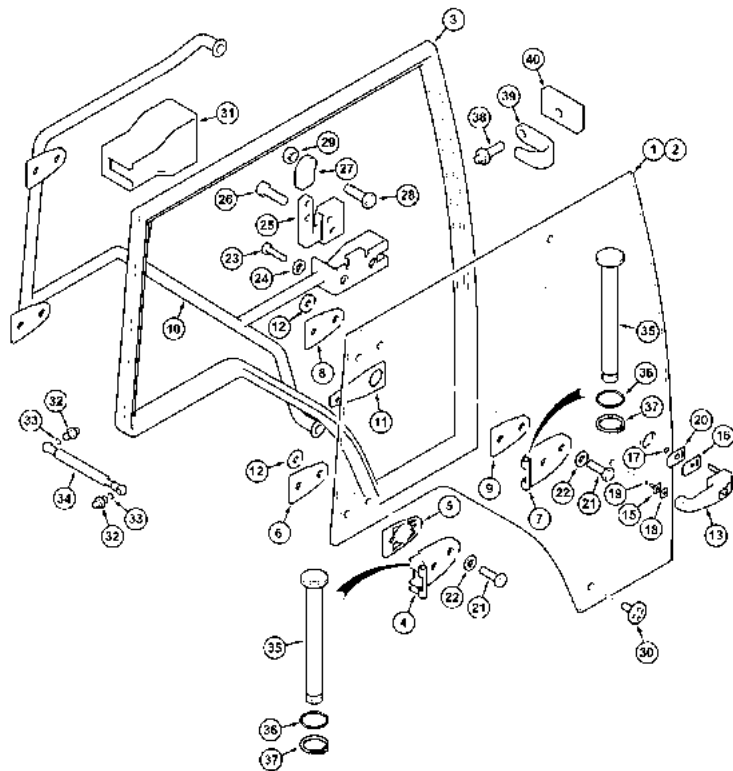
9 - Chassis / Attachments

9 -
061

DOOR - RIGHT

XTX Series XTX185, XTX200, XTX215 (2005-2007)

9061



- | | | | | |
|----|-----------|--------------------------------|---|--------|
| 16 | 705367A1 | | 1 | Seal |
| 17 | 705369A1 | ● 705364A1 (1) | 1 | Seal |
| 18 | 705370A1 | | 1 | Seal |
| 19 | 705371A1 | ● 705366A1 (1)
705364A1 (1) | 1 | Seal |
| 20 | 705364A1 | | 2 | Bezel |
| 21 | 614-8045 | | 6 | BOLT |
| 22 | 895-15008 | | 6 | WASHER |
| 23 | 840-1630 | | 2 | SCREW |
| 24 | 892-11006 | | 4 | WASHER |
| 25 | K303805 | ● 6509614M91 (1) | 1 | LOCK |
| 26 | 905980R1 | | 2 | SCREW |
| 27 | 112069A1 | | 1 | GRIP |
| 28 | 840-1625 | | 2 | SCREW |
| 29 | 829-1406 | | 2 | NUT |
| 30 | 198916A2 | | 1 | CAP |
| 31 | 220441A4 | ● 220441A5 (1) | 1 | MUFF |
| 32 | 3234063R1 | | 2 | STUD |
| 33 | 3233348R1 | | 2 | TIE |

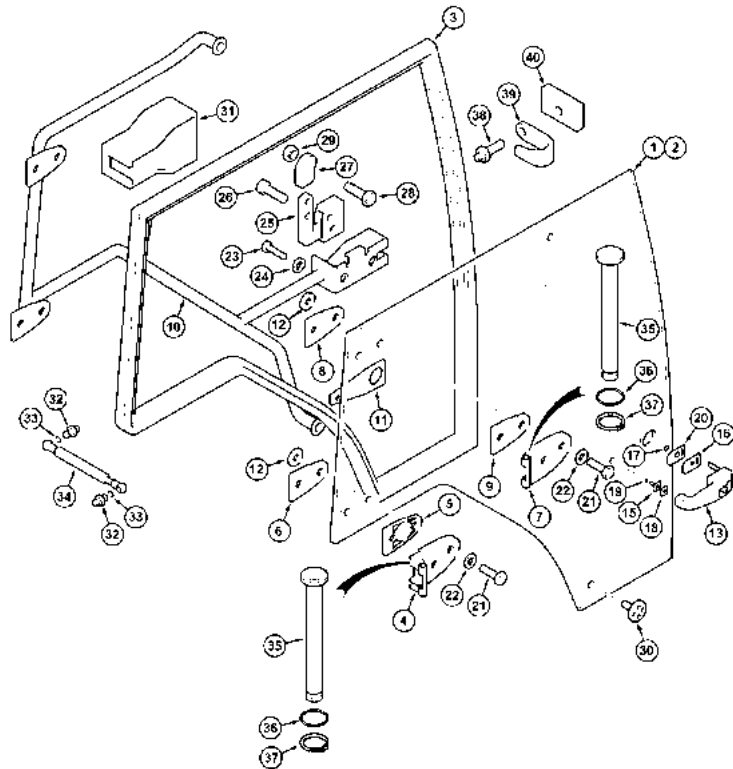
9 - Chassis / Attachments

9 -
061

DOOR - RIGHT

XTX Series XTX185, XTX200, XTX215 (2005-2007)

9061



Upper
LOWER
M6
9 x 20 x 1,6 mm
M6; 10
Includes: 33
6 x 25 mm
Includes: 18,19
Includes: 16,17
M8 x 45; 8,8
6 x 30 mm; 4,8
M6 x 25; 4,8
Consists Of: 2 - 33
4935 mm
Consists Of: 15 - 20
CONTINUED

B

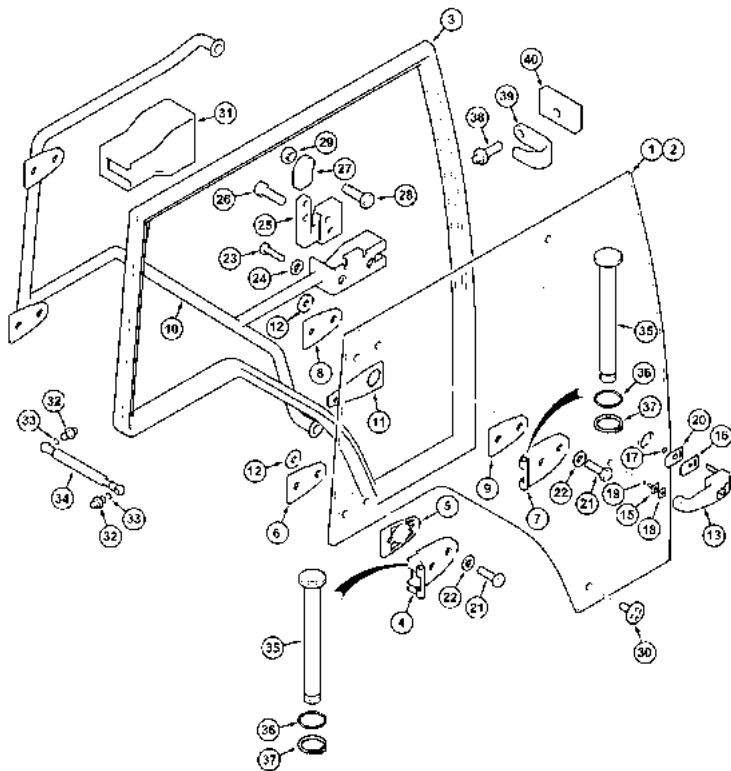
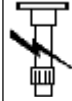
9 - Chassis / Attachments

9 -
063

DOOR - RIGHT

XTX Series XTX185, XTX200, XTX215 (2005-2007)

9063



- | | | | | |
|----|-----------|--------------------|---|------------|
| 34 | 710861A3 | | 1 | Cylinder, |
| 35 | 178819A3 | | 2 | CLEVIS PIN |
| 36 | 895-18010 | ● 003555011250 (2) | 2 | WASHER |
| 37 | 235754A1 | | 2 | CLIP |
| 38 | 245354A1 | | 1 | DOWEL |
| 39 | 1977919C1 | | 1 | GUARD |
| 40 | 1328494C1 | | 1 | PLATE |
| 40 | REF | | 1 | Decal |

11 x 18 x 1,6 mm

See Page(s): 9-195

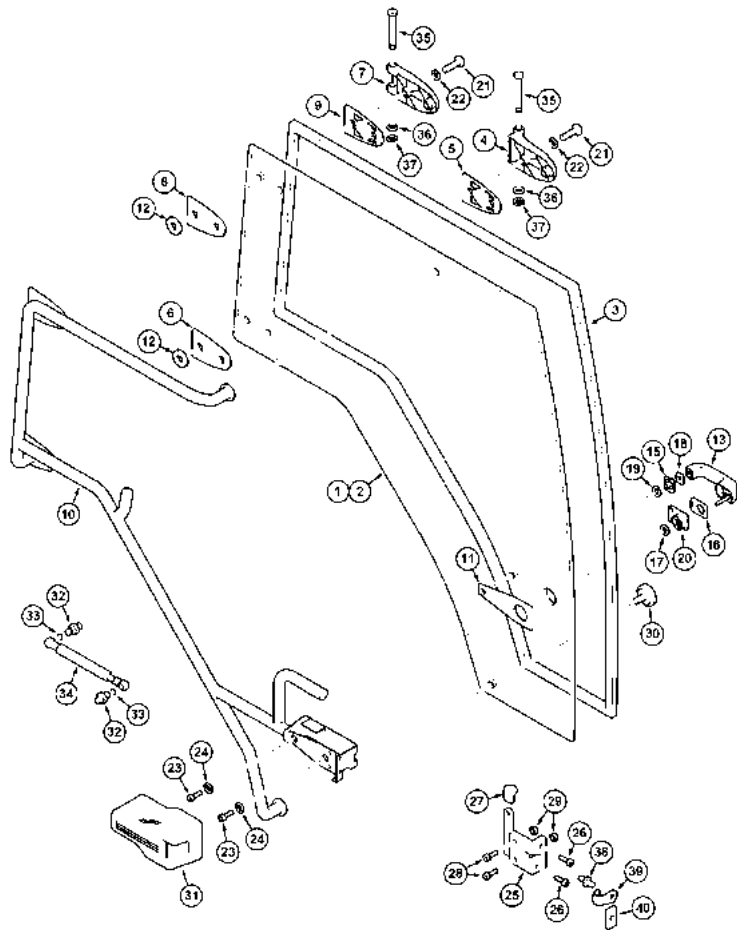
9 - Chassis / Attachments

9 -
065

DOOR - LEFT

XTX Series XTX185, XTX200, XTX215 (2005-2007)

9065



- | | | | |
|----|----------|---------------------------------|---------------|
| 1 | 710911A1 | ● 6511092M92 (1) | 1 Door Assy |
| 1 | 710912A1 | ● 6511092M92 (1) | 1 DOOR |
| 2 | 709000A3 | ● N.L.S. (1) | 1 GLASS |
| 3 | 710783A1 | ● 4220288M2 (1) | 1 Seal |
| 4 | 191206A4 | | 1 HINGE |
| 5 | 709193A1 | | 1 Spacer |
| 6 | 709194A1 | ● 4217362M1 (1) | 1 Spacer |
| 7 | 709197A3 | | 1 HINGE |
| 8 | 709190A1 | | 1 Spacer |
| 9 | 709191A1 | | 1 Spacer |
| 10 | 710963A3 | ● N.L.S. (1) | 1 Handle Assy |
| 11 | 191939A3 | | 1 SPACER |
| 12 | 221429A2 | ● 180361A2 (4)
4215300M1 (8) | 4 DRIVING |

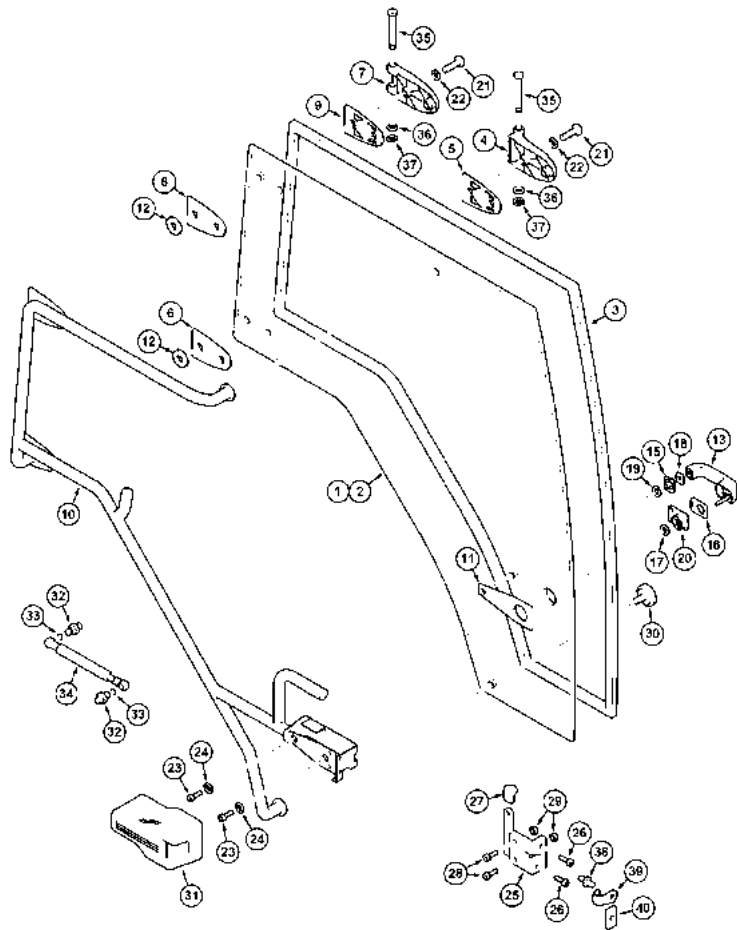
9 - Chassis / Attachments

9 -
065

DOOR - LEFT

XTX Series XTX185, XTX200, XTX215 (2005-2007)

9065



- | | | | | |
|----|-----------|--------------------------------|---|--------|
| 13 | 705396A1 | | 1 | KNOB |
| 14 | 705397A1 | ● 705366A1 (1)
705364A1 (1) | 1 | KIT |
| 15 | 705366A1 | | 1 | Bezel |
| 16 | 705367A1 | | 1 | Seal |
| 17 | 705369A1 | ● 705364A1 (1) | 1 | Seal |
| 18 | 705370A1 | | 1 | Seal |
| 19 | 705371A1 | ● 705366A1 (1)
705364A1 (1) | 1 | Seal |
| 20 | 705364A1 | | 2 | Bezel |
| 21 | 614-8045 | | 6 | BOLT |
| 22 | 895-15008 | | 6 | WASHER |
| 23 | 840-1630 | | 2 | SCREW |
| 24 | 892-11006 | | 4 | WASHER |
| 25 | K303805 | ● 6509614M91 (1) | 1 | LOCK |
| 26 | 905980R1 | | 2 | SCREW |
| 27 | 112069A1 | | 1 | GRIP |
| 28 | 840-1625 | | 2 | SCREW |

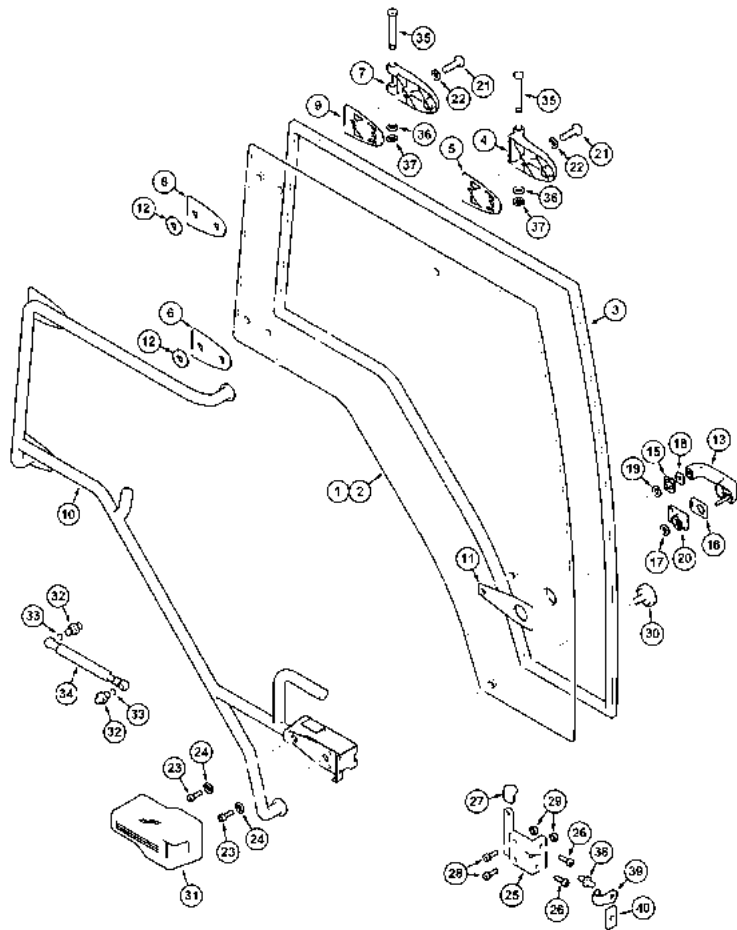
9 - Chassis / Attachments

9 -
065

DOOR - LEFT

XTX Series XTX185, XTX200, XTX215 (2005-2007)

9065



Upper
LOWER
M6
9 x 20 x 1,6 mm
Europe Only
N.A. Only
6 x 25 mm
Includes: 18,19
Includes: 16,17
M8 x 45; 8,8
6 x 30 mm; 4,8
M6 x 25; 4,8
Consists Of: 2 - 33
4935 mm
Consists Of: 15 - 20
CONTINUED

B

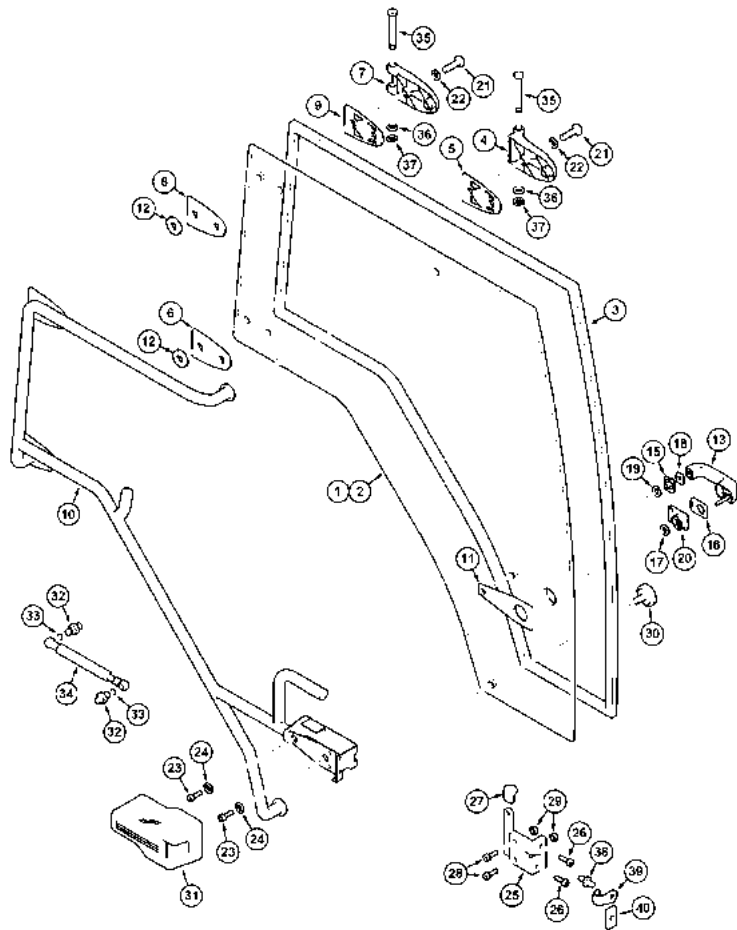
9 - Chassis / Attachments

9 -
067

DOOR - LEFT

XTX Series XTX185, XTX200, XTX215 (2005-2007)

9067



- | | | | | |
|----|-----------|--------------------|---|------------|
| 29 | 829-1406 | | 2 | NUT |
| 30 | 198916A2 | | 1 | CAP |
| 31 | 220798A4 | | 1 | MUFF |
| 32 | 3234063R1 | | 2 | STUD |
| 33 | 3233348R1 | | 2 | TIE |
| 34 | 710861A3 | | 1 | Cylinder, |
| 35 | 178819A3 | | 2 | CLEVIS PIN |
| 36 | 895-18010 | ● 003555011250 (2) | 2 | WASHER |
| 37 | 235754A1 | | 2 | CLIP |
| 38 | 245354A1 | | 1 | DOWEL |
| 39 | 1977919C1 | | 1 | GUARD |
| 40 | 1328494C1 | | 1 | PLATE |

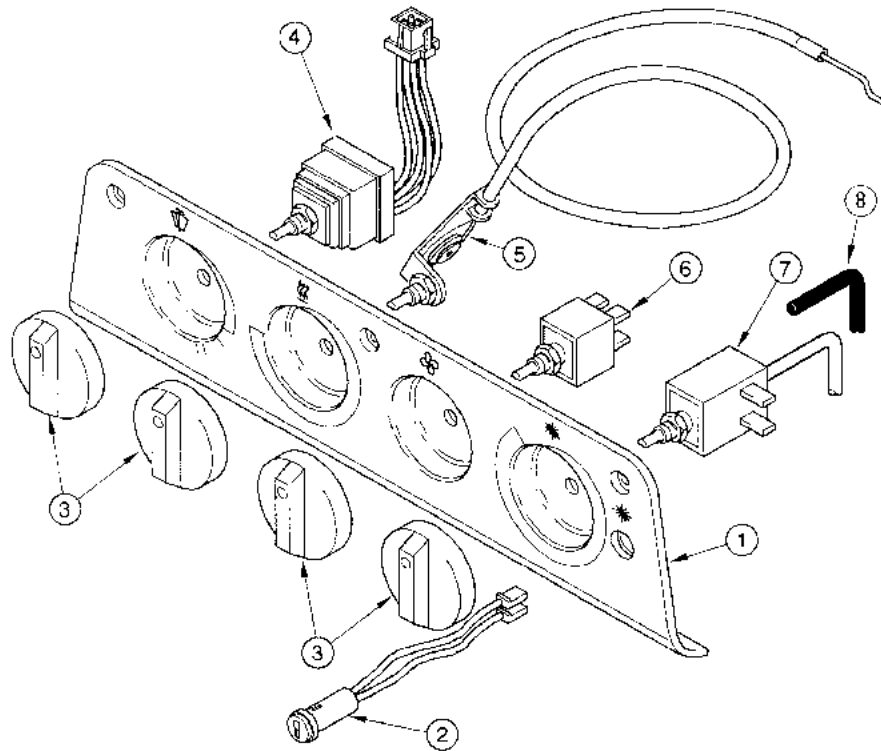
11 x 18 x 1,6 mm

M6; 10

Includes: 33

XTX Series XTX185, XTX200, XTX215 (2005-2007)

9069



- | | | | |
|---|-----------|---|-------------|
| 1 | 251096A2 | 1 | PANEL |
| 2 | 1964672C1 | 1 | Lamp Assy |
| 3 | 96893C1 | 4 | KNOB |
| 4 | 357662A1 | 1 | SWITCH |
| 5 | 251192A1 | 1 | FINAL DRIVE |
| 6 | 403129A1 | 1 | SWITCH |
| 7 | 92101C1 | 1 | FINAL DRIVE |
| 8 | 236866A1 | 0 | FOAM |

Thermostat
Amber
Pressure
Blower
Windshield Wiper Front
Intermittent
14V

9 - Chassis / Attachments

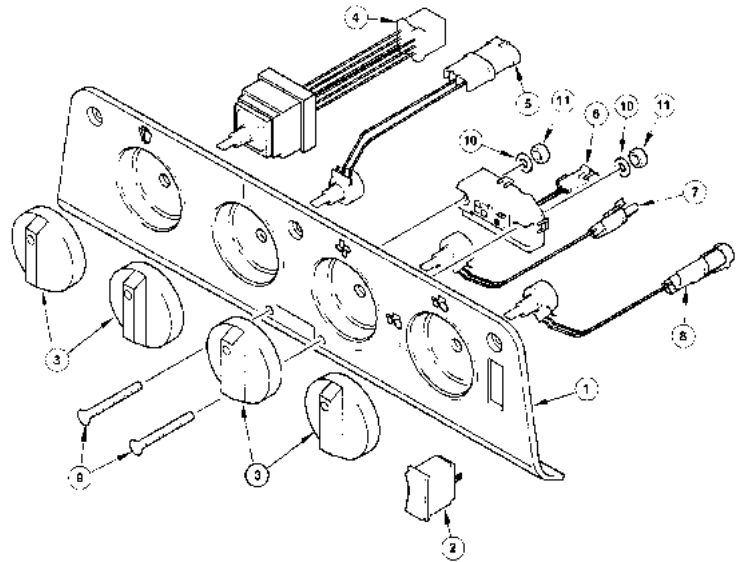
9 -
071

AUTOMATIC TEMPERATURE CONTROL - Control

XTX Series XTX185, XTX200, XTX215 (2005-2007)



9071



- | | | | |
|----|-----------|---|-------------|
| 1 | 704301A1 | 1 | Panel |
| 2 | 704306A1 | 1 | Switch Assy |
| 3 | 96893C1 | 4 | KNOB |
| 4 | 357662A1 | 1 | SWITCH |
| | | | |
| 5 | 704305A1 | 1 | Switch Assy |
| 6 | 704302A1 | 1 | Gauge |
| 7 | 704303A1 | 1 | Switch Assy |
| 8 | 704304A1 | 1 | Switch Assy |
| 9 | 840-2435 | 2 | Setscrew |
| 10 | 895-10004 | 2 | Washer |
| 11 | 832-10404 | 2 | NUT |

M4

Windshield Wiper Front

Intermittent

LCD

M4 x 35

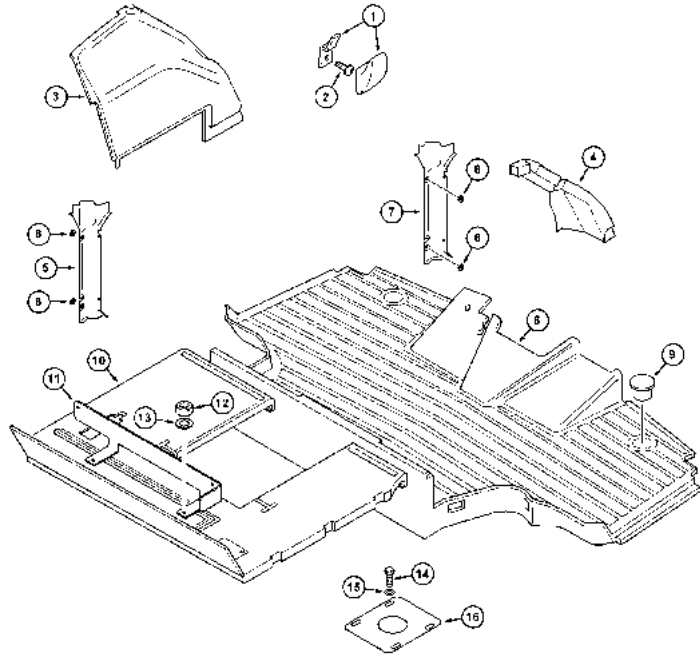
9 - Chassis / Attachments

9 -
073

CAB INTERIOR

XTX Series XTX185, XTX200, XTX215 (2005-2007)

9073



- | | | | | | |
|----|-----------|---|---|---|----------|
| 1 | 3234176R1 | ● | 3015082X1 (8)
3559758M1 (8)
6501544M1 (2) | 2 | HOOK |
| 2 | 761-17325 | | | 2 | SCREW |
| 3 | 710316A4 | | | 1 | OVERLAY |
| 3 | 710669A3 | ● | 6508545M91 (1) | 1 | PANEL |
| 4 | 372095A1 | | | 1 | CLADDING |
| 5 | 710983A1 | | | 1 | Cover |
| 6 | 711222A1 | | | 4 | Washer |
| 7 | 710662A1 | | | 1 | Cover |
| 7 | 710982A1 | | | 1 | Cover |
| 8 | 414433A1 | ● | 713092A1 (1) | 1 | MAT |
| 9 | 281848A1 | | | 2 | PLUG |
| 10 | 313638A3 | | | 1 | MAT |

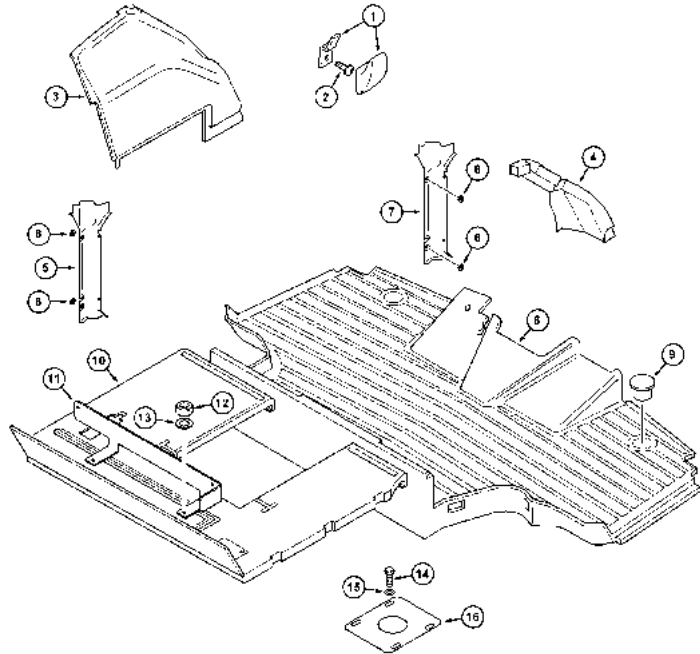
9 - Chassis / Attachments

9 -
073

CAB INTERIOR

XTX Series XTX185, XTX200, XTX215 (2005-2007)

9073



- | | | | | | |
|----|-----------|---|---------------|---|--------|
| 11 | 313637A4 | ● | 3687994M1 (1) | 1 | PLATE |
| 12 | 829-1408 | | | 3 | NUT |
| 13 | 895-15008 | | | 3 | WASHER |
| 14 | 614-6016 | | | 4 | BOLT |
| 15 | 895-11006 | ● | 390971X1 (4) | 4 | WASHER |
| 16 | 707013A2 | ● | 707013A3 (1) | 1 | Cover |

6,6 x 12 x 1,6 mm

Left

Right

Includes: 9

M8; 10

M6 x 16; 8,8

9 x 20 x 1,6 mm

Left Rear

Right Rear

4,2 x 25 mm

Storage

VITALO

Heated Mirrors

With Storage Box

NOT ILLUSTRATED

A

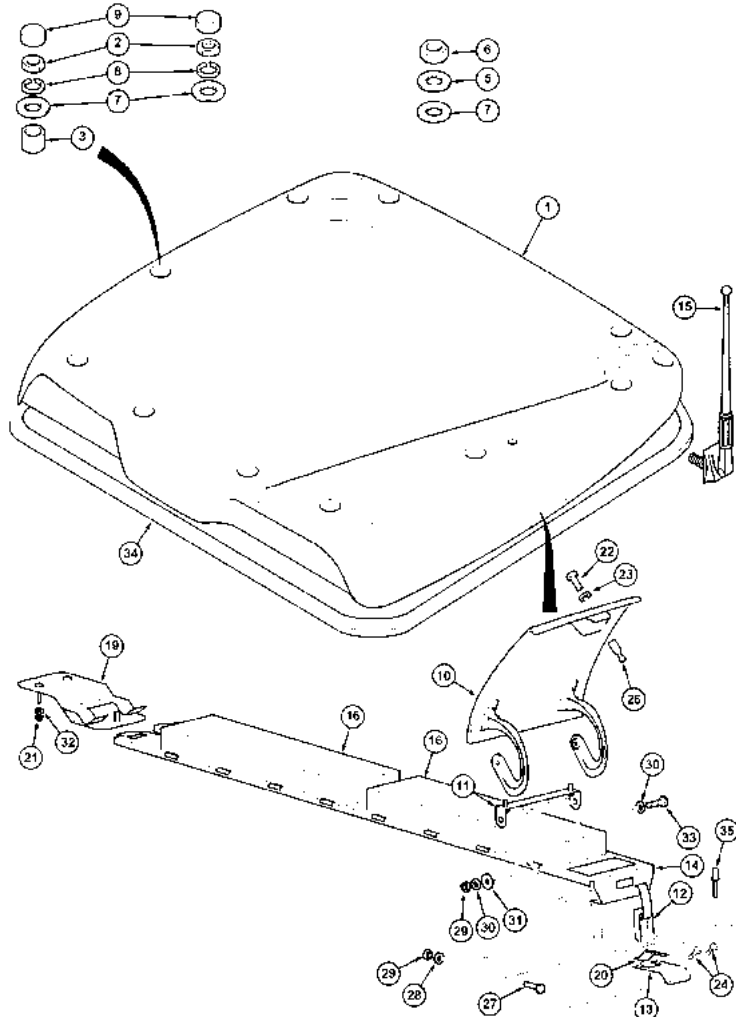
9 - Chassis / Attachments

9 -
075

CAB ROOF

XTX Series XTX185, XTX200, XTX215 (2005-2007)

9075



- | | | | | | |
|----|-----------|---|----------------|---|--------------|
| 1 | 709576A5 | ● | 4214237M92 (1) | 1 | ROOF |
| 1 | 711187A4 | | | 1 | Roof Assy |
| 2 | 832-10408 | | | 4 | NUT FNS |
| 3 | 712643A1 | | | 2 | Spacer |
| 5 | 895-15008 | | | 2 | WASHER |
| 6 | 712649A1 | | | 2 | NUT |
| 7 | 713373A1 | | | 0 | Spacer |
| 8 | 363640A1 | | | 0 | WASHER |
| 9 | 353-192 | | | 4 | CAP |
| 10 | 709364A2 | ● | 709364A3 (1) | 1 | Cover Assy |
| 11 | 709321A2 | | | 1 | SUPPORT |
| 12 | 708976A1 | | | 1 | FLANGE |
| 13 | 711704A2 | | | 1 | Bracket Assy |
| 14 | 708970A1 | | | 1 | SUPPORT |
| 15 | REF | | | 1 | Antenna |
| 16 | 708962A1 | | C | 2 | FILTER |
| 16 | 715194A1 | | B | 2 | FILTER |
| 17 | 707696A1 | | | 2 | Screw |
| 18 | 710406A1 | | | 2 | Washer |

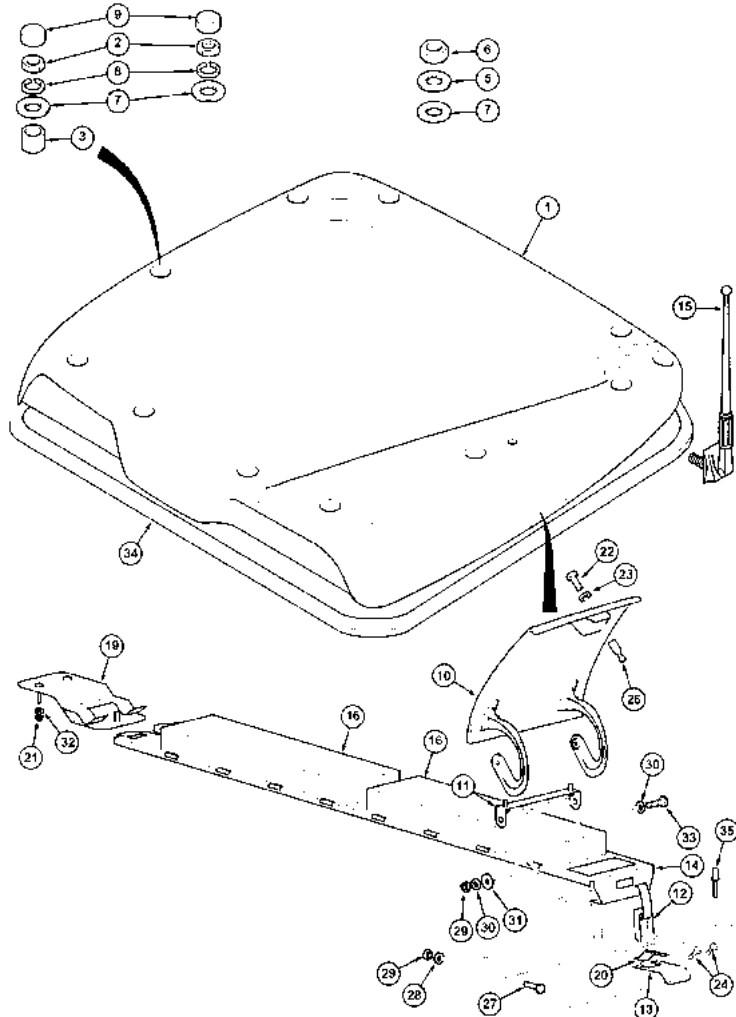
9 - Chassis / Attachments

9 -
075

CAB ROOF

XTX Series XTX185, XTX200, XTX215 (2005-2007)

9075

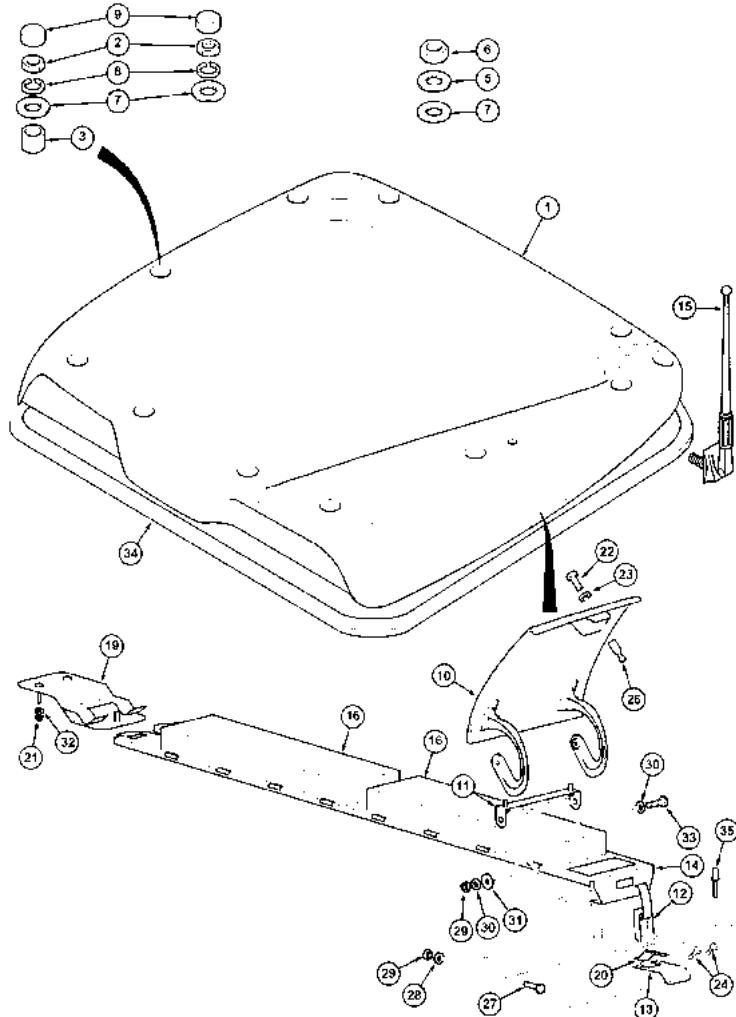


- 19 708984A1
- 20 710425A1
- 21 825-2406
- 22 463-6108
- 23 892-11005
- 24 711706A1
- 26 1348465C1
- 27 840-1412
- 28 895-11004
- 29 832-10404
- 30 895-30108
- 31 895-11014
- 32 896-11006
- 33 840-1425
- 34 229602A3
- 35 230206A2

- 1 Bracket Assy
- 1 BOLT
- 2 NUT
- 1 SCREW
- 1 WASHER
- 2 SCREW
- 1 STUD
- 2 SCREW
- 2 Washer
- 4 NUT
- 4 Washer
- 2 WASHER
- 2 WASHER
- 2 SCREW
- 1 Seal
- 2 RIVET

XTX Series XTX185, XTX200, XTX215 (2005-2007)

9075



- M8; 8
- M5
- M8
- M6; 8
- No. 10 x 1/2
- 9 x 20 x 1,6 mm
- Europe Only
- N.A. Only
- See Page(s): 4-27
- M4
- 15,5 x 28 x 2,5 mm
- 6,6 x 12,5 x 2 mm
- M6 x 16
- M4 x 12
- 4,3 x 9 x 0,8 mm
- Rubber
- 5234 mm
- 10,5 x 36 x 2 mm
- M4 x 25; 4,8
- 4,4 x 15 x 1,2 mm
- No 10 x 12 mm
- 3 x 16 mm
- A NOT ILLUSTRATED
- B ACTIVE CARBONS FILTER
- C CHART FILTER

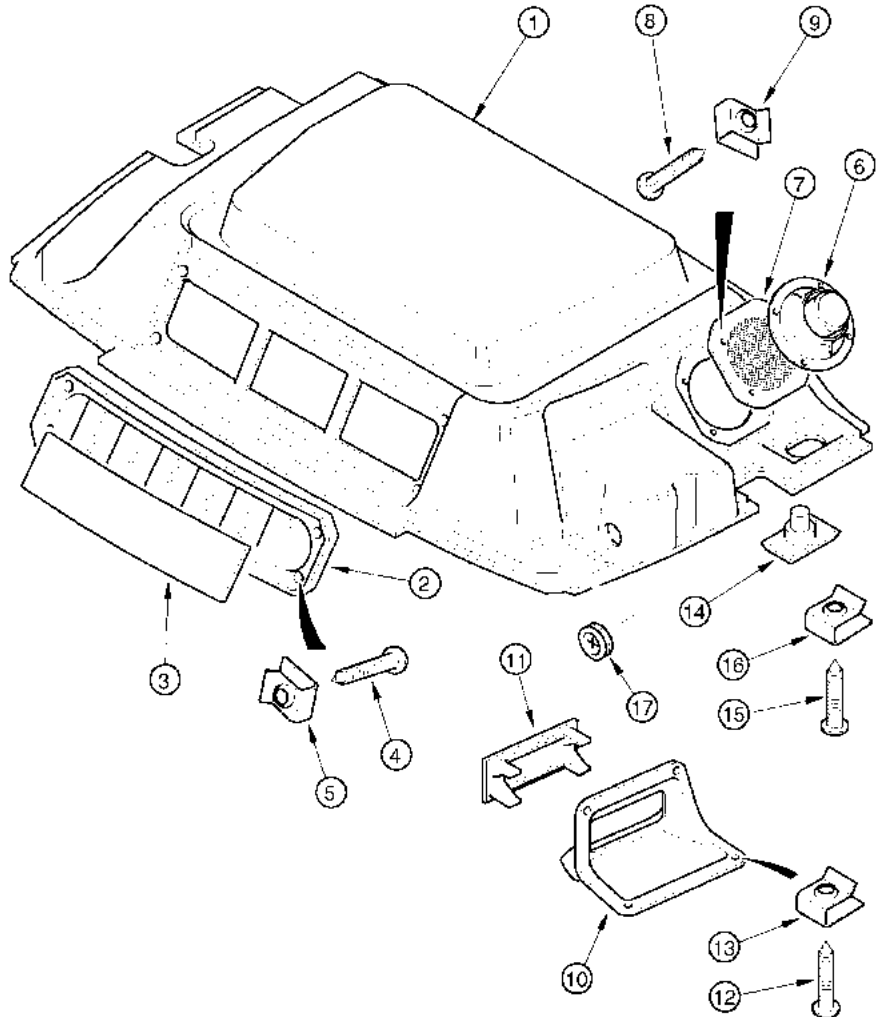
9 - Chassis / Attachments

9 -
077

CAB HEADLINER TRIM

XTX Series XTX185, XTX200, XTX215 (2005-2007)

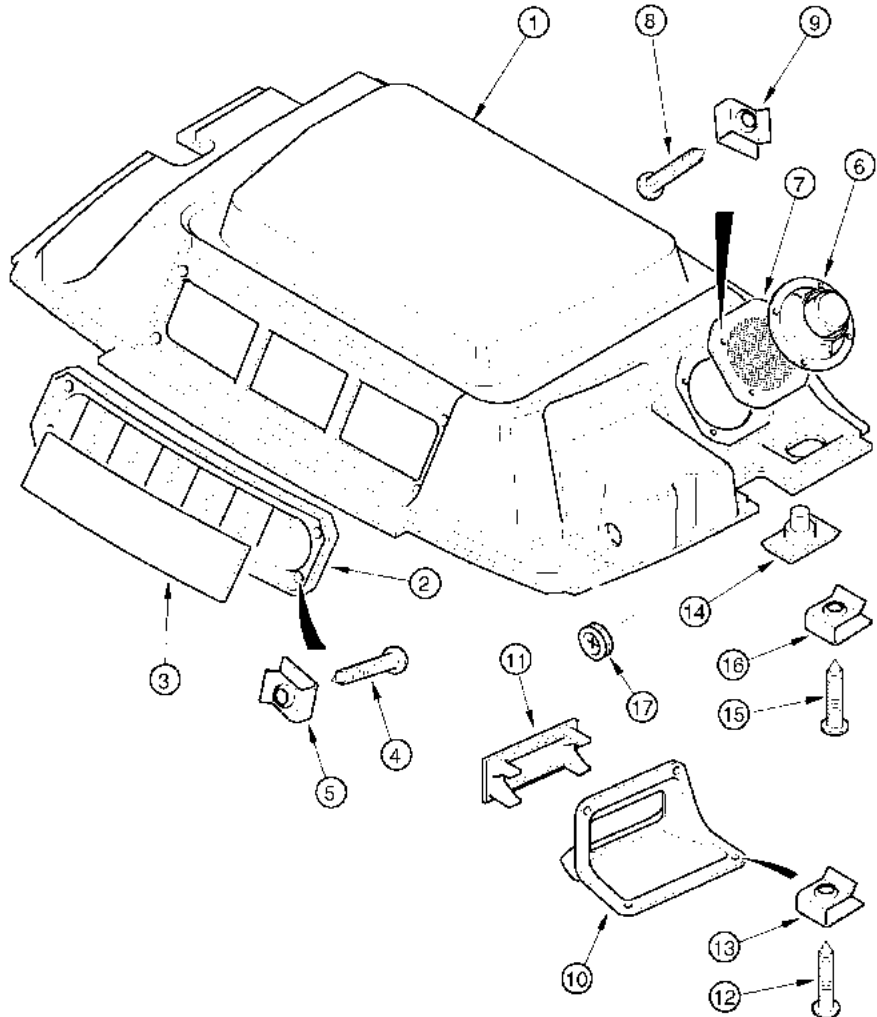
9077



- | | | | | |
|----|-----------|------------------|----|-------------|
| 1 | 302862A1 | | 18 | NUT |
| 1 | 710658A1 | | 1 | PANEL |
| 2 | 195282A4 | ● 3677841M92 (1) | 1 | MASK |
| 2 | 704045A1 | | 1 | Grille |
| 3 | 253210A1 | ● 3679370M2 (1) | 1 | FILTER |
| 3 | 704327A1 | | 1 | KIT |
| 4 | 761-17325 | | 4 | SCREW |
| 5 | 302862A1 | | 4 | NUT |
| 6 | 712505A1 | ● 4215436M91 (2) | 2 | Loudspeaker |
| 7 | 187281A1 | | 2 | SCREEN |
| 8 | 761-17325 | | 8 | SCREW |
| 9 | 302862A1 | | 8 | NUT |
| 10 | 710809A1 | | 1 | HOUSING |
| 11 | 1535219C1 | | 1 | MUFF |
| 12 | 761-17325 | | 4 | SCREW |
| 13 | 302862A1 | | 4 | NUT |

XTX Series XTX185, XTX200, XTX215 (2005-2007)

9077



- 14 83882C91
- 15 761-17325
- 16 302862A1
- 17 322636A1

- 1 LIGHT
- 2 SCREW
- 2 NUT
- 1 Grommet

See Page(s): 4-27

Illustrated

Set Of: 2

4,2 x 25 mm

See Page(s): 9-75

Automatic Temperature Control

Includes: 302862A1

NOT ILLUSTRATED

A

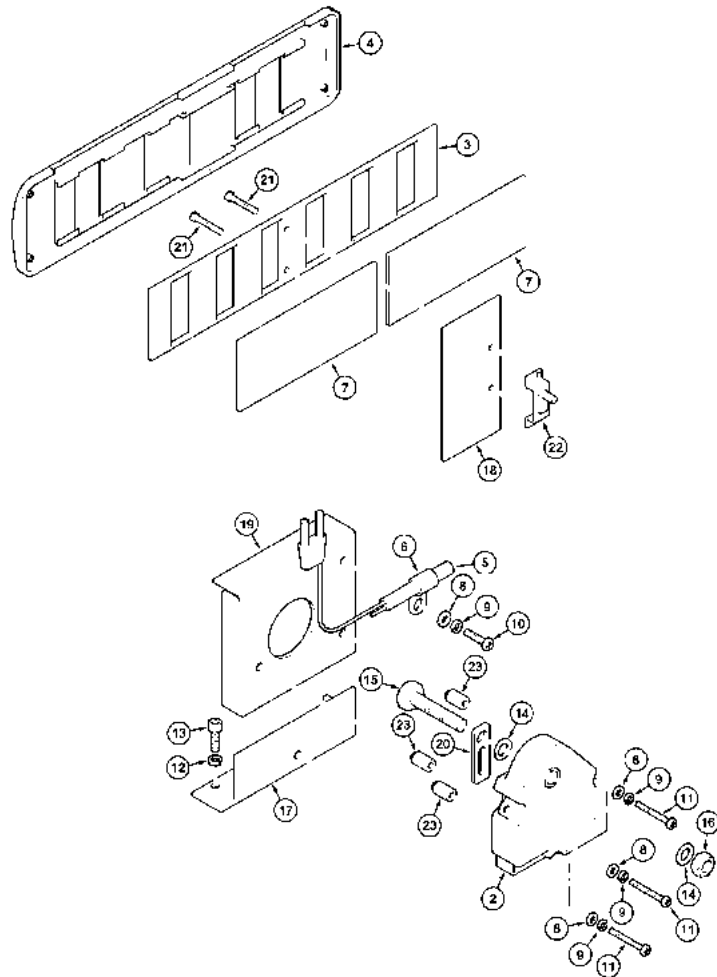
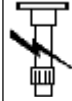
9 - Chassis / Attachments

9 -
079

AUTOMATIC TEMPERATURE CONTROL - RECIRCULATOR

XTX Series XTX185, XTX200, XTX215 (2005-2007)

9079



- | | | | |
|----|----------------|---|-----------|
| 1 | 704045A1 | 1 | Grille |
| 2 | 704046A1 | 1 | Actuator |
| 3 | 195281A4 | 1 | Slide |
| 4 | 195270A4 | 1 | Grille |
| 5 | 704047A1 | 1 | SENSOR |
| 6 | 515-2163 | 1 | CONNECTOR |
| 7 | 704327A1 | 1 | KIT |
| 8 | 895-11004 | 4 | Washer |
| 9 | 892-11004 | 4 | WASHER |
| 10 | 840-2410 | 4 | Screw |
| | ● 840-1410 (4) | | |
| 11 | 840-1425 | 3 | SCREW |
| 12 | 892-11005 | 2 | WASHER |
| 13 | 878-10512 | 2 | Bolt |
| 14 | 895-10008 | 2 | WASHER |
| 15 | 878-50855 | 1 | Bolt |
| 16 | 832-10408 | 1 | NUT FNS |
| 17 | 704048A1 | 1 | Plate |
| 18 | 704049A1 | 1 | Plate |
| 19 | 704050A1 | 1 | Plate |
| 20 | 704051A1 | 1 | Lever |
| 21 | 260-1436 | 2 | Screw |

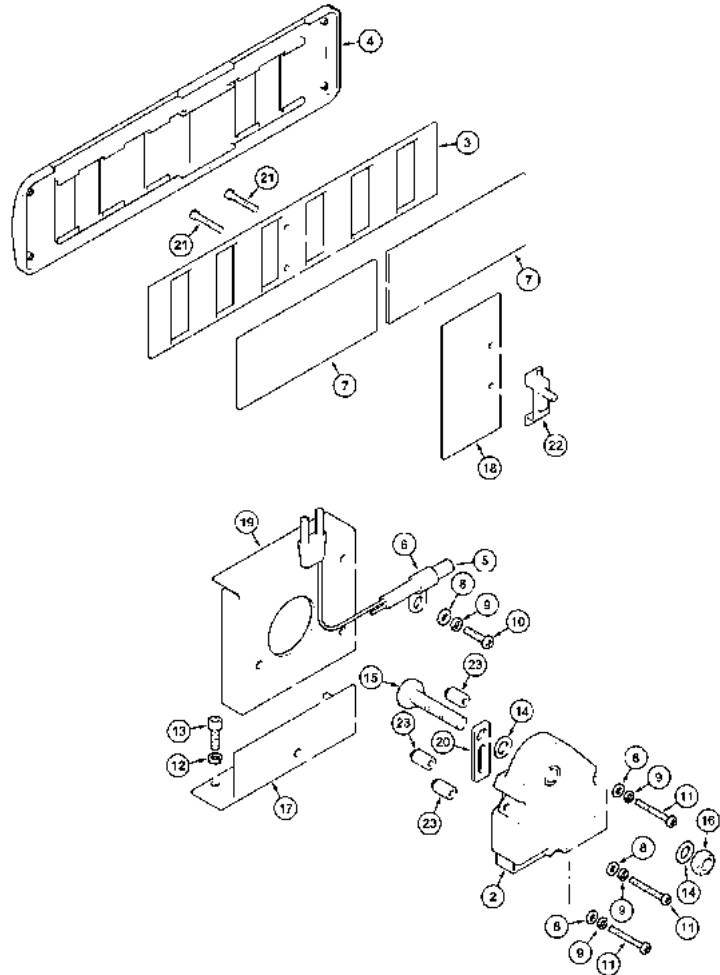
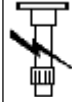
9 - Chassis / Attachments

9 -
079

AUTOMATIC TEMPERATURE CONTROL - RECIRCULATOR

XTX Series XTX185, XTX200, XTX215 (2005-2007)

9079



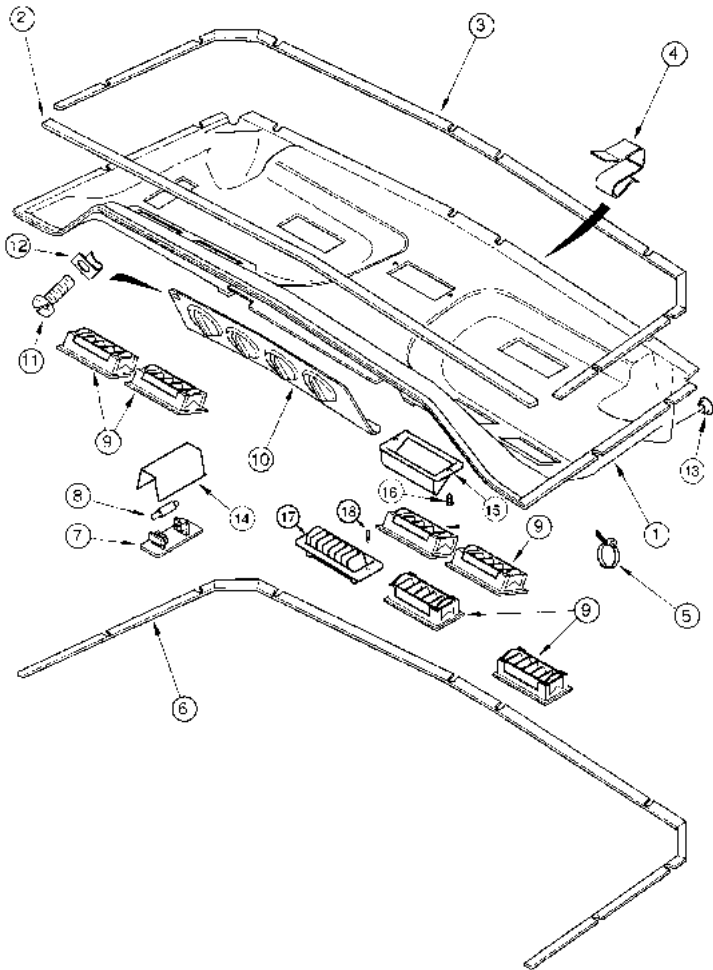
- 22 704052A1
- 23 704053A1

- 1 Slide
- 3 Spacer

M8; 8
M5
M4 x 10; 4,8
M4
1/4 ID
Set Of: 2
4,3 x 9 x 0,8 mm
M5 x 12
M4 x 25; 4,8
Consists Of: 2 - 23
9 x 16 x 1,6 mm
M8 x 55
6 x 3/8

XTX Series XTX185, XTX200, XTX215 (2005-2007)

9081



- | | | | |
|----|-----------|---|------------|
| 1 | 711893A1 | 1 | HOUSING |
| 2 | 255538A1 | 1 | GASKET |
| 2 | 307161A1 | 1 | GASKET |
| 3 | 194034A3 | 1 | GASKET |
| 4 | 251193A1 | 6 | TIE |
| 5 | 22-824 | 5 | CLAMP |
| 6 | 194035A2 | 1 | GASKET |
| 7 | 1983391C1 | 1 | LIGHT |
| 8 | E35556 | 1 | LIGHT |
| 9 | 1958752C1 | 6 | GRILLE |
| 10 | REF | 1 | Panel Assy |
| 11 | 540-710 | 5 | SCREW |
| 12 | 833-40306 | 5 | NUT |
| 13 | 256806A1 | 2 | PLUG |
| 14 | 307162A1 | 1 | COVER |
| 15 | 711981A1 | 1 | HOUSING |
| 16 | 765-17116 | 2 | SCREW |
| 17 | 125688A1 | 1 | GRILLE |
| 18 | 765-17116 | 2 | SCREW |

7 in

M6

M6 x 16

Dome

12V, 10w

M3.5 x 16

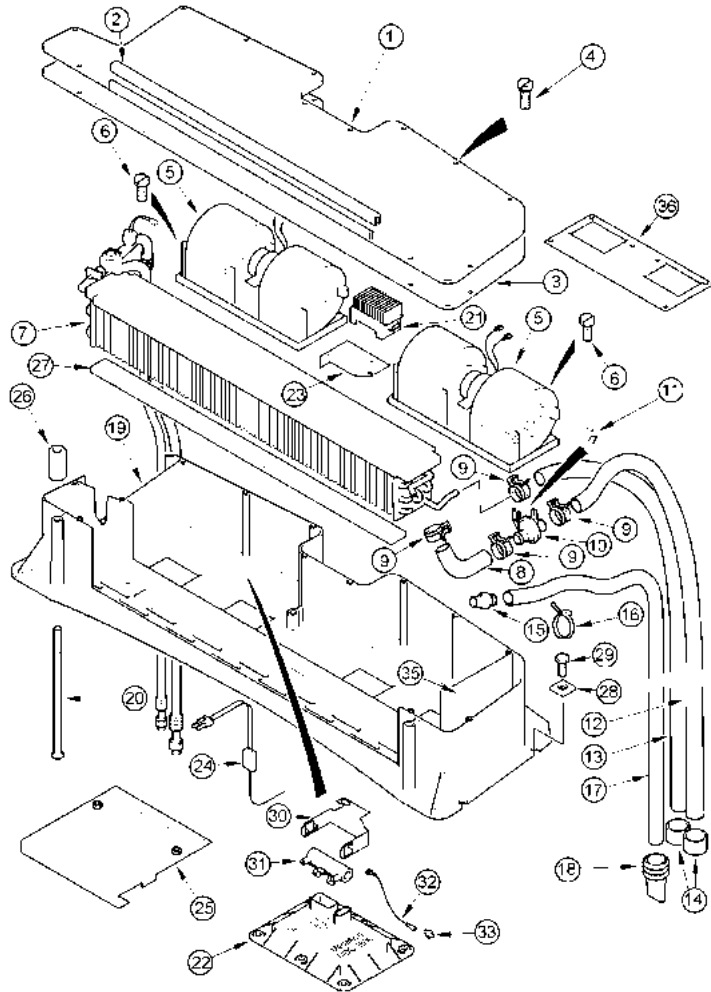
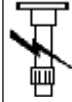
1/2 x 38 in

1 x 50 in

See Page(s): 9-65,67

XTX Series XTX185, XTX200, XTX215 (2005-2007)

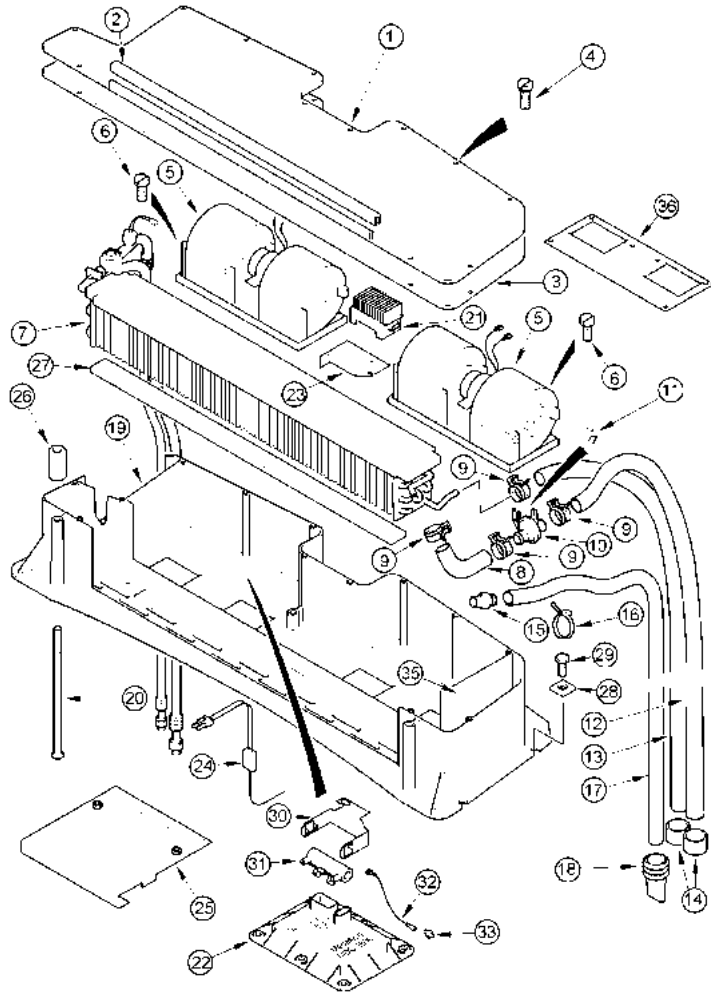
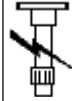
9083



- | | | | | |
|----|-----------|-----------------|----|-------------|
| 1 | 181063A3 | | 1 | Cover |
| 1 | 222386A2 | | 1 | Cover |
| 2 | 236759A2 | | 1 | GASKET |
| 3 | 222494A2 | | 1 | RING |
| 4 | 840-2410 | ● 840-1410 (13) | 13 | Screw |
| 5 | 178454A2 | | 2 | ENGINE |
| 5 | 704322A1 | | 2 | Motor Assy |
| 6 | 758-1 | | 12 | Screw |
| 7 | REF | | 1 | Core |
| 7 | REF | | 1 | Coil |
| 8 | 181072A1 | | 1 | PIPE |
| 9 | 1954736C1 | | 4 | CLAMP |
| 10 | 1331087C1 | | 1 | DISTRIBUTOR |
| 11 | 1954626C1 | ● N.L.A. (1) | 1 | RETAINER |
| 12 | 181071A1 | | 1 | PIPE |
| 12 | 1974655C1 | ● 86997299 (1) | 1 | PIPE |

XTX Series XTX185, XTX200, XTX215 (2005-2007)

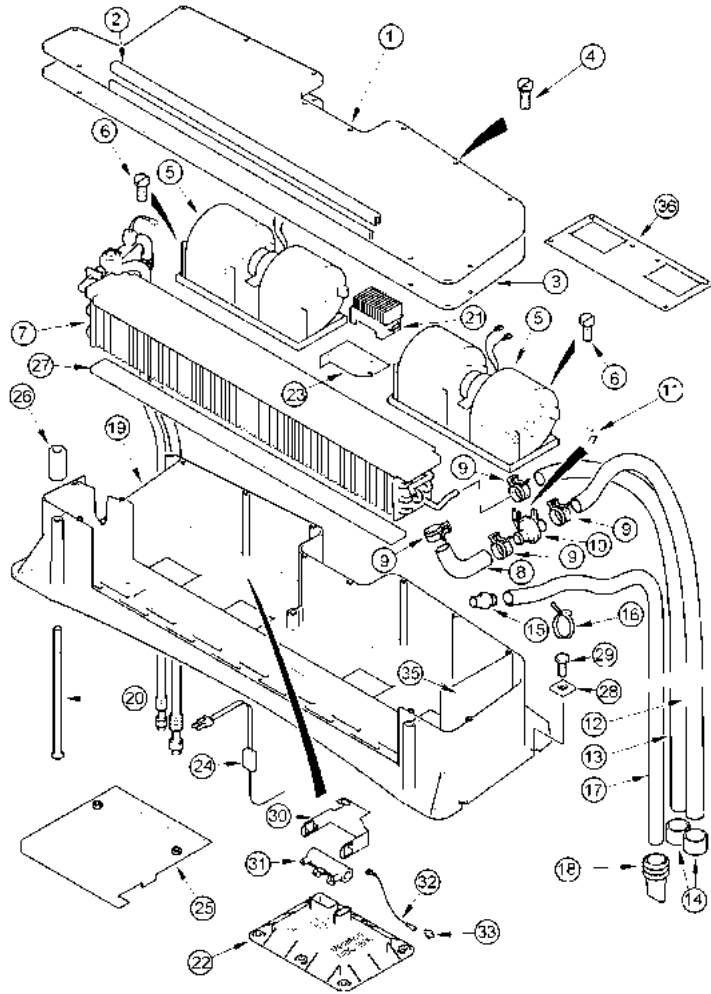
9083



- | | | | | | |
|----|-----------|---|--------------|---|-------|
| 13 | 1530636C1 | ● | N.L.A. (1) | 1 | Hose |
| 13 | 1954494C1 | ● | 86997299 (1) | 1 | PIPE |
| 14 | 353-13 | | | 2 | CAP |
| 14 | 704326A1 | | | 2 | Cap |
| 15 | 1250522C3 | | | 2 | UNION |
| 16 | 22-824 | | | 3 | CLAMP |
| 17 | 222647A1 | ● | 198091C1 (2) | 2 | PIPE |
| 17 | 704325A1 | | | 2 | Hose |
| 18 | 109239C2 | | | 2 | VALVE |

XTX Series XTX185, XTX200, XTX215 (2005-2007)

9083

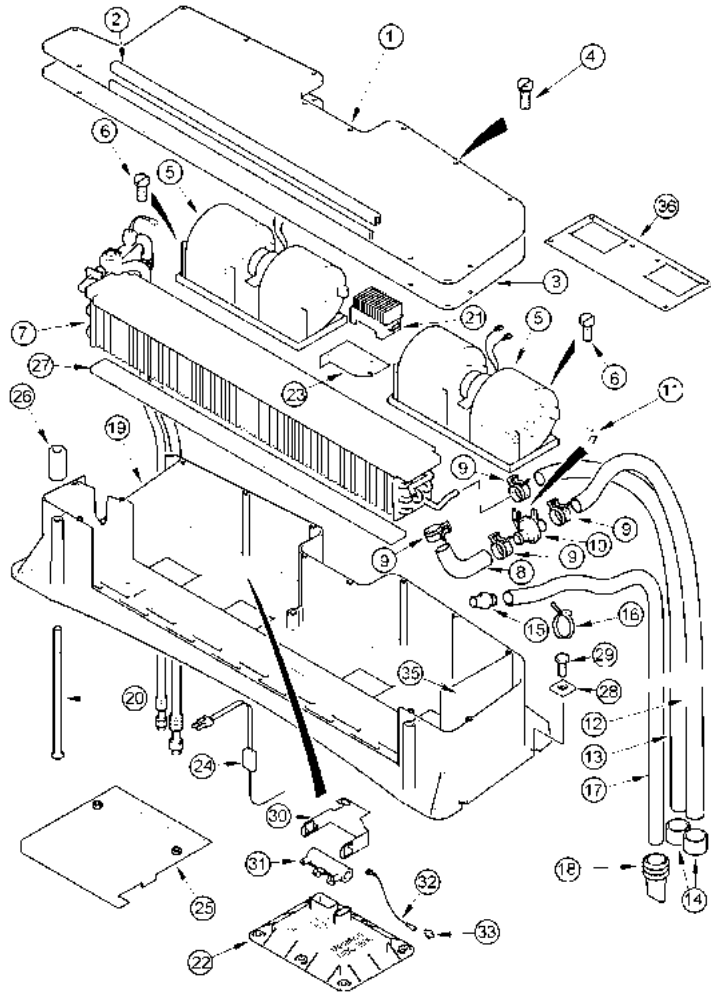
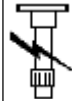


- 7 in
- M4 x 10; 4,8
- Outlet
- No. 24
- 3130 mm
- Cut From: 11 x 97252CX
- 4267 mm
- 4,2 x 16 mm
- 2880 mm
- 2642 mm
- Cut From: 9 x 97252CX
- 2740 mm
- Cut From: 14 x 97252CX
- See Page(s): 9-85
- Consists Of: 181063A3,2,3
- Automatic Temperature Control
- Cut From: 9 x 198091C1
- See Page(s): 9-83
- CONTINUED

B

XTX Series XTX185, XTX200, XTX215 (2005-2007)

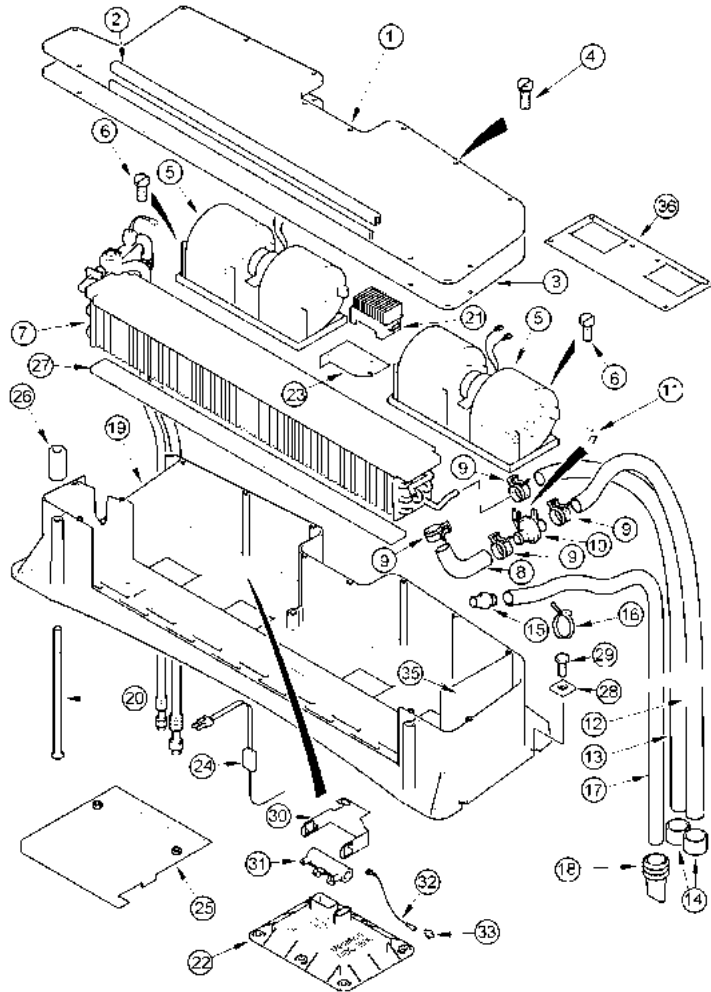
9085



- | | | | | | |
|----|-----------|---|------------------------------|---|------------|
| 19 | 181061A4 | ● | 403295A1 (1) | 1 | HOUSING |
| 19 | 403295A1 | | | 1 | Housing |
| 20 | 711890A1 | | | 2 | BOLT |
| 21 | 704320A1 | | | 1 | RESISTOR |
| 22 | 704319A1 | | | 1 | FORM PARTS |
| 23 | 704318A1 | | | 1 | Cover |
| 24 | 704317A1 | | | 1 | SWITCH |
| 25 | 711892A1 | | | 1 | Cover |
| 26 | 307164A1 | | | 2 | SPACER |
| 27 | 255538A1 | | | 1 | GASKET |
| 28 | 3402978R1 | | | 6 | Plate |
| 29 | 780-14625 | | | 6 | SCREW |
| 30 | 359669A1 | | | 1 | STRAP |
| 30 | 359671A1 | ● | 359669A1 (1)
401360A1 (1) | 1 | KIT |
| 31 | 359504A1 | ● | 401360A1 (1) | 1 | OIL TANK |
| 32 | 236864A2 | | | 1 | HARNESS |
| 33 | 355956A1 | | | 1 | DIODE |
| 35 | 704324A1 | | | 2 | Seal |

XTX Series XTX185, XTX200, XTX215 (2005-2007)

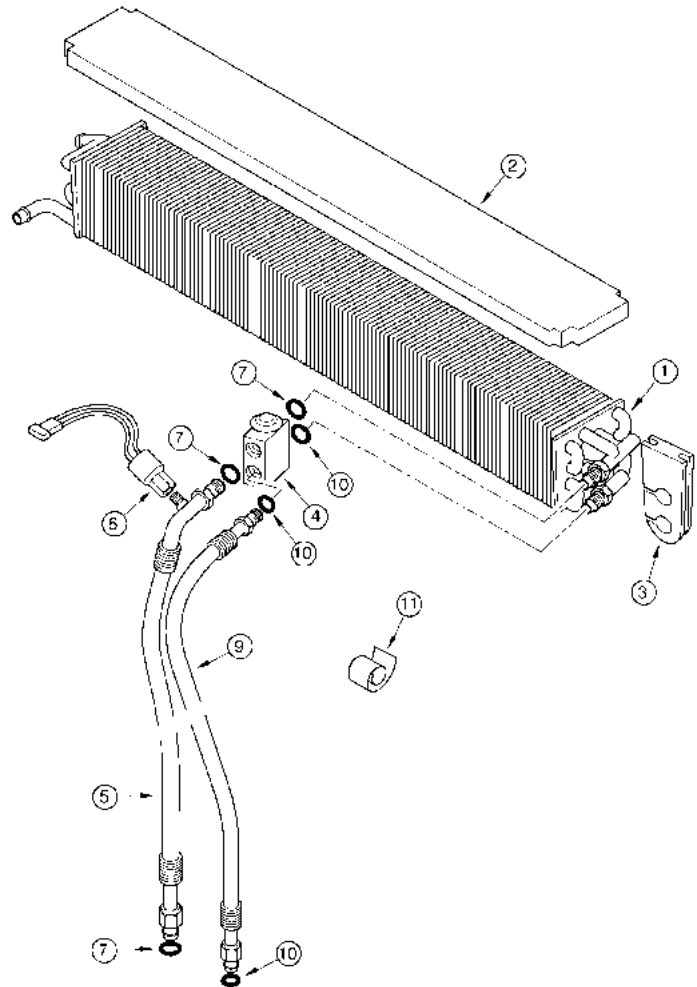
9085



- | | | | | |
|-----|-----------|-------------------------------|---|------------|
| 36 | 704315A1 | | 2 | Gasket, Mo |
| 200 | 248-21110 | | 1 | CHOCK |
| 201 | 97252CX | ● 86997299 (1) | 1 | PIPE |
| 202 | 198091C1 | | 1 | HOSE |
| | | 8 mm | | |
| | | 1 in | | |
| | | 15240 mm | | |
| | | 1/2 x 38 in | | |
| | | 6.3 x 25 mm | | |
| | | Automatic Temperature Control | | |
| | | Includes: 359669A1,31,32 | | |
| | | 3 x 3 x 0.5 | | |
| | | M8 x 215 | | |
| A | | NOT ILLUSTRATED | | |

XTX Series XTX185, XTX200, XTX215 (2005-2007)

9087



- | | | | | |
|----|----------|----------------|---|-------------|
| 1 | 251389A1 | | 1 | RADIATOR |
| 2 | 222385A2 | | 1 | RING |
| 3 | 193111A2 | | 1 | GROMMET |
| 4 | 386535A1 | ● 87033212 (1) | 1 | VALVE |
| 5 | 186702A2 | | 1 | Hose Assy |
| 6 | 122579A1 | | 1 | FINAL DRIVE |
| 7 | 128485A1 | | 3 | INSTANT GA |
| 9 | 186701A1 | | 1 | Hose Assy |
| 10 | 128484A1 | | 3 | INSTANT GA |
| 11 | 83822C1 | | 0 | Tape |

- 200 1954475C1
- 9/16 ID x 1/16
7/16 ID x 1/16
610 mm (24 in)
Includes: 4,7,10
Cut From: 1954475C1
9150 mm
- 1 Tape

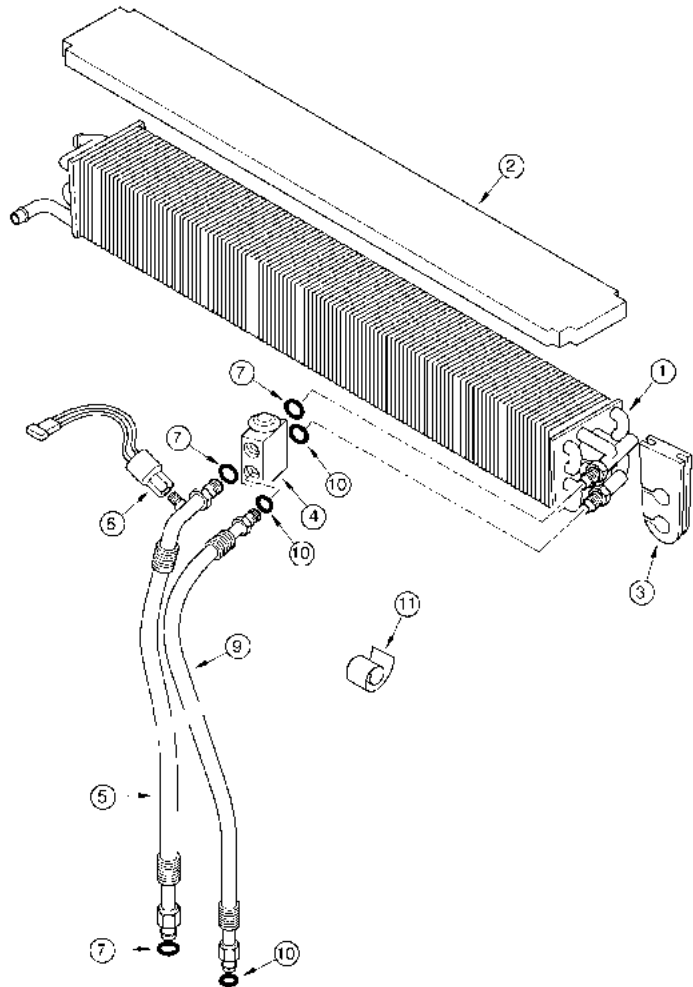
9 - Chassis / Attachments

9 -
089

Automatic Temperature Control

XTX Series XTX185, XTX200, XTX215 (2005-2007)

9089



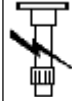
- | | | | | |
|-----|-----------|----------------|---|-------------|
| 1 | 194032A4 | | 1 | CORE |
| 2 | 222385A2 | | 1 | RING |
| 3 | 194036A1 | | 1 | Grommet |
| 4 | 392622A1 | ● 87033212 (1) | 1 | Valve, Exp |
| 5 | TBA | | 1 | Hose Assy |
| 6 | 709877A1 | | 1 | Switch Assy |
| 7 | 709875A1 | | 0 | O-Ring |
| 9 | TBA | | 1 | Hose Assy |
| 10 | 709874A1 | | 0 | O-Ring |
| 11 | TBA | | 0 | Tape |
| 200 | 1954475C1 | | 1 | Tape |
- 1070 mm
Cut From: 1954475C1
9150 mm

9 - Chassis / Attachments

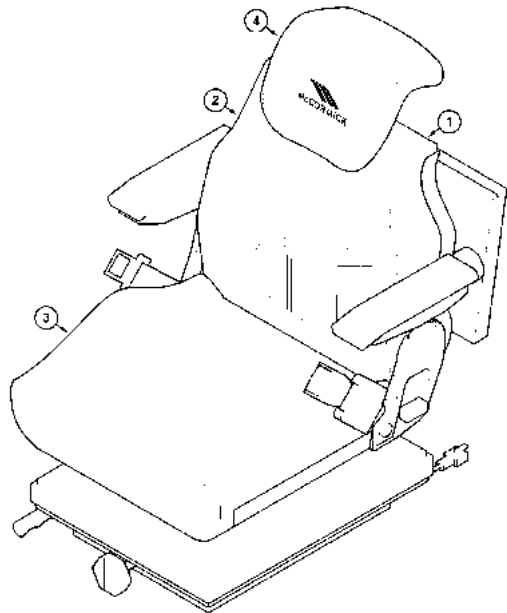
9 -
091

SEAT ASSY - GRAMMER - Air Suspension

XTX Series XTX185, XTX200, XTX215 (2005-2007)



9091



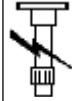
1	710543A1		1 SEAT
1	710544A1		1 SEAT
1	710545A1		1 SEAT
1	710546A1	● N.L.A. (1)	1 SEAT
1	710547A1		1 SEAT
1	710549A1		1 SEAT

9 - Chassis / Attachments

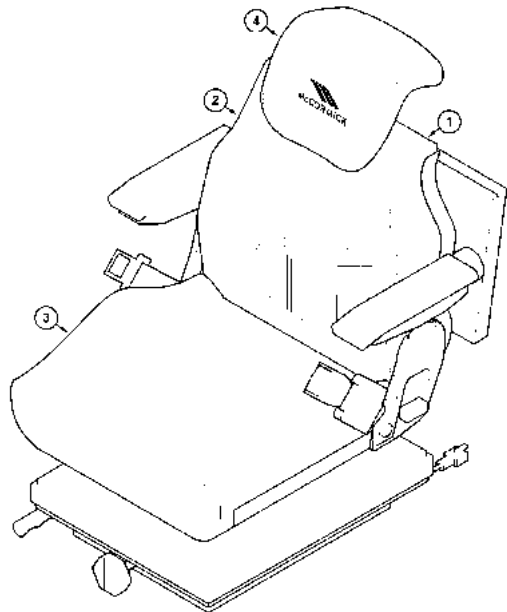
9 -
091

SEAT ASSY - GRAMMER - Air Suspension

XTX Series XTX185, XTX200, XTX215 (2005-2007)



9091



1	711167A1	1	Seat Assy
2	711473A1	1	Cushion, B
2	711478A1	1	Cushion, B
2	711480A1	1	Cushion, B
3	711474A1	1	Cushion, Seat
3	711479A1	1	Cushion, Seat
3	711481A1	1	Cushion, Seat
4	711699A1	1	Cushion, H

De-Luxe

IV

Heated Cushion

#XTX-M

#XTX-E

#XTX - Eplus

Mechanical Suspension

Use With: 710549A1,711167A1

Use With: 710545A1/46A1

Use With: 710543A1/44A1/47A1

Use With: 710549A1/50A1,711167A1

D

STANDARD

9 - Chassis / Attachments

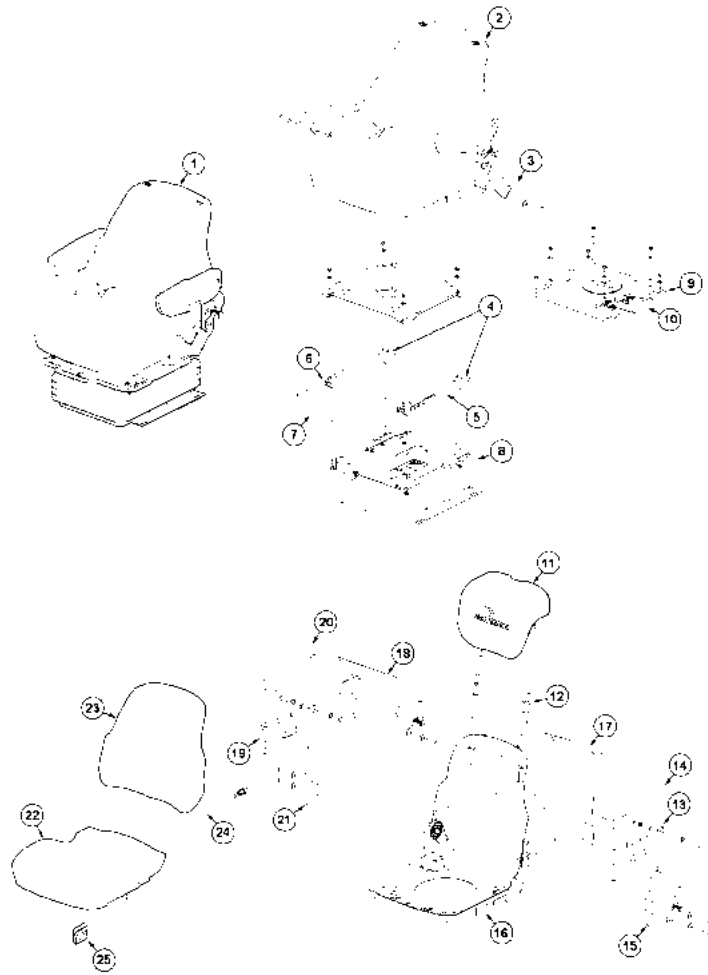
9 -
093

SEAT ASSY - SEARS - Air Suspension

XTX Series XTX185, XTX200, XTX215 (2005-2007)



9093



- | | | | |
|---|----------|---|-----------|
| 1 | 712684A1 | 1 | Seat Assy |
| 1 | 712687A1 | 1 | Seat Assy |
| 1 | 712688A1 | 1 | Seat Assy |
| 1 | 712689A1 | 1 | Seat Assy |

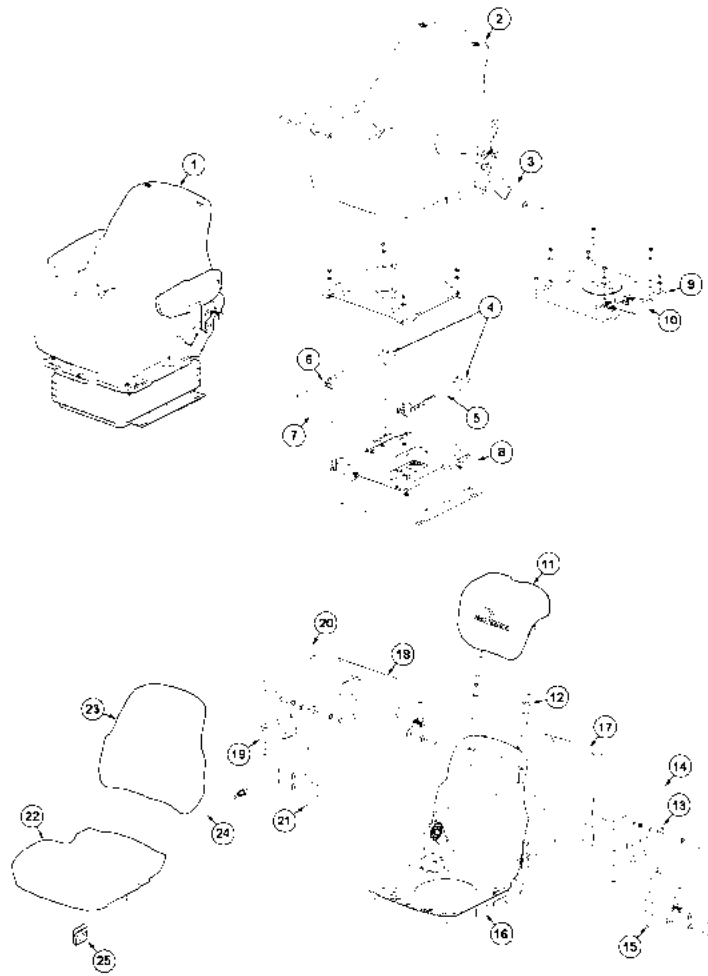
9 - Chassis / Attachments

9 -
093

SEAT ASSY - SEARS - Air Suspension

XTX Series XTX185, XTX200, XTX215 (2005-2007)

9093



1	712690A1	1	Seat Assy
1	712693A1	1	Seat Assy
2	712843A1	1	Seat
2	712845A1	1	Seat
2	712846A1	1	Seat
2	712870A1	1	Package, S
2	712871A1	1	KNOB
3	712866A1	1	KIT
4	712877A1	1	KIT
5	NSS	1	Slide
6	NSS	1	Slide

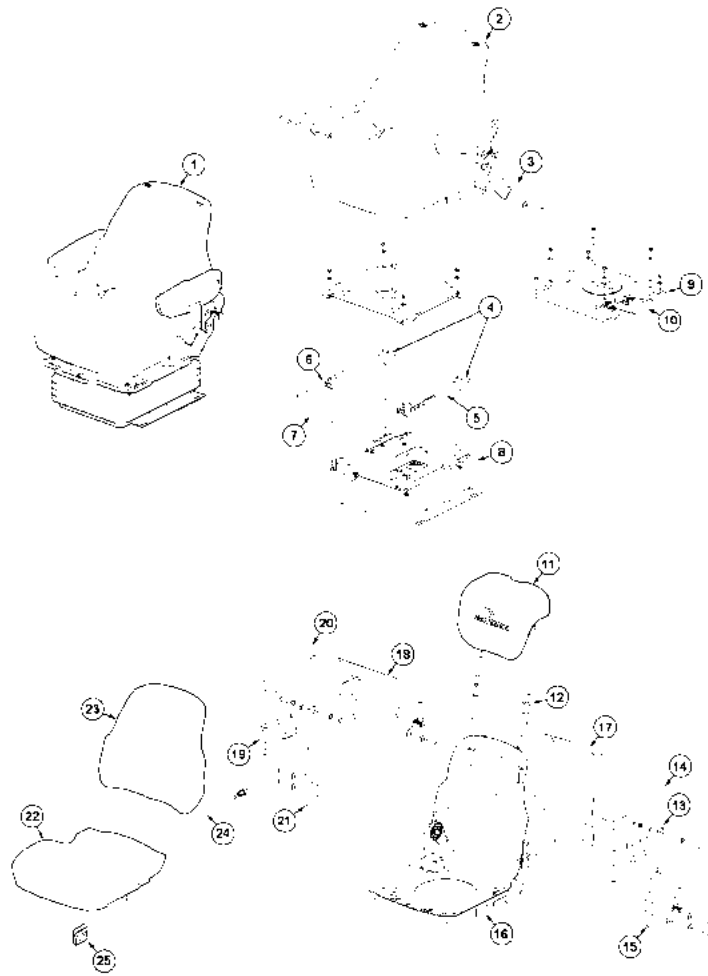
9 - Chassis / Attachments

9 -
093

SEAT ASSY - SEARS - Air Suspension

XTX Series XTX185, XTX200, XTX215 (2005-2007)

9093



Includes: 5,6

Slide

Lumbar

Belt

Manual Control

Sears

Includes: 712843A1,3 - 24

Includes: 712845A1,3 - 24

AutoSpeed

Heated Cushion

Includes: 712846A1,3 - 24

Includes: 712870A1,712871A1

Includes: 712781A1

#XTX - Eplus

Electronic Control

CONTINUED

B

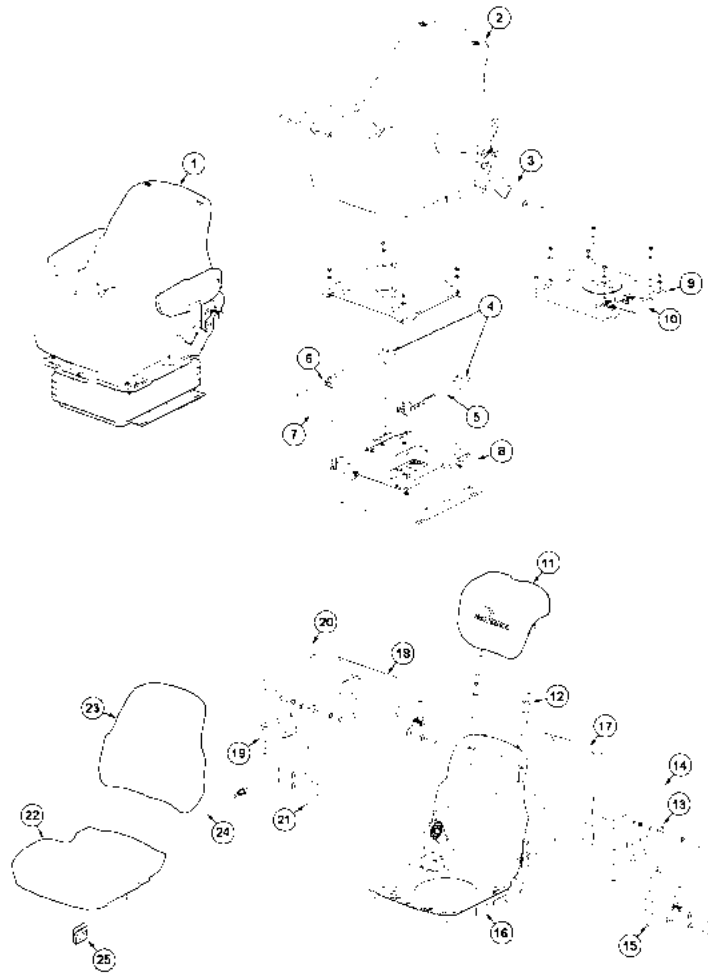
9 - Chassis / Attachments

9 -
095

SEAT ASSY - SEARS

XTX Series XTX185, XTX200, XTX215 (2005-2007)

9095



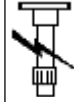
- | | | | | |
|----|----------|----------------|---|------------|
| 7 | 712886A1 | | 1 | HANDLE |
| 8 | REF | | 1 | Suspension |
| 9 | 712872A1 | | 1 | SWIVEL |
| 9 | 712873A1 | | 1 | SWIVEL |
| 10 | 708252A1 | | 1 | Knob |
| 11 | 712853A1 | ● 708263A1 (1) | 1 | Cushion, H |
| 12 | 712855A1 | ● 708264A1 (2) | 2 | GUIDE |
| 13 | 708267A1 | | 1 | Package, S |
| 13 | 712863A1 | | 1 | KIT |
| 13 | 712943A1 | | 1 | Package, S |

9 - Chassis / Attachments

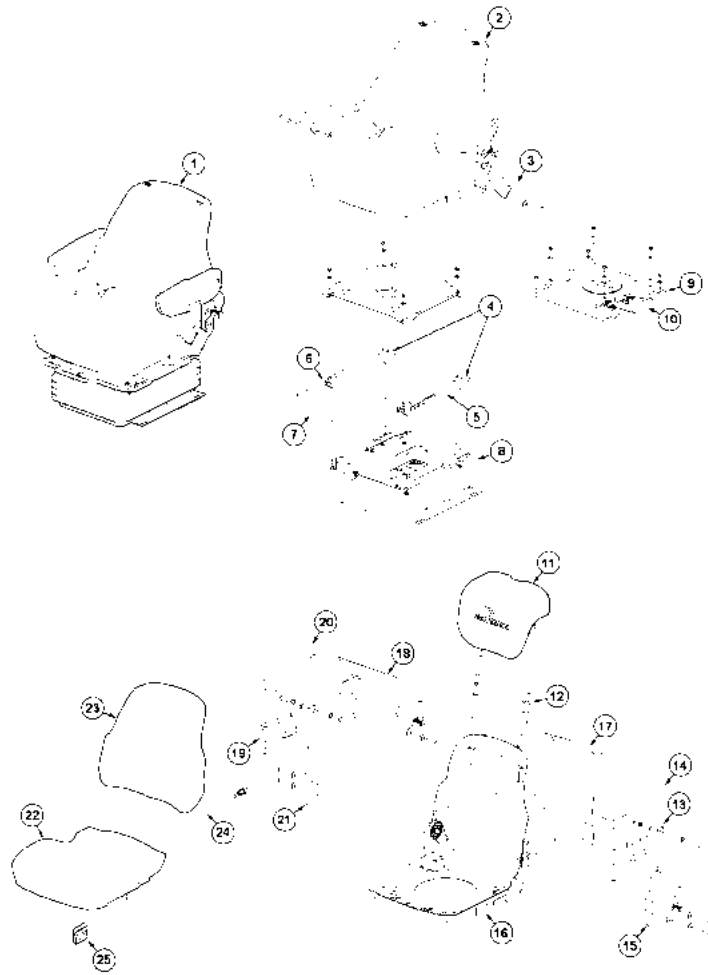
9 -
095

SEAT ASSY - SEARS

XTX Series XTX185, XTX200, XTX215 (2005-2007)



9095



- | | | | |
|----|----------|---|------------|
| 13 | 712946A1 | 1 | Package, S |
| 14 | 712862A1 | 1 | Cover |
| 15 | 712864A1 | 1 | Bracket |
| 16 | 712856A1 | 1 | KNOB |
| 17 | 708265A1 | 1 | Kit |
| 18 | 711710A1 | 1 | KIT |
| 18 | 712857A1 | 1 | KIT |

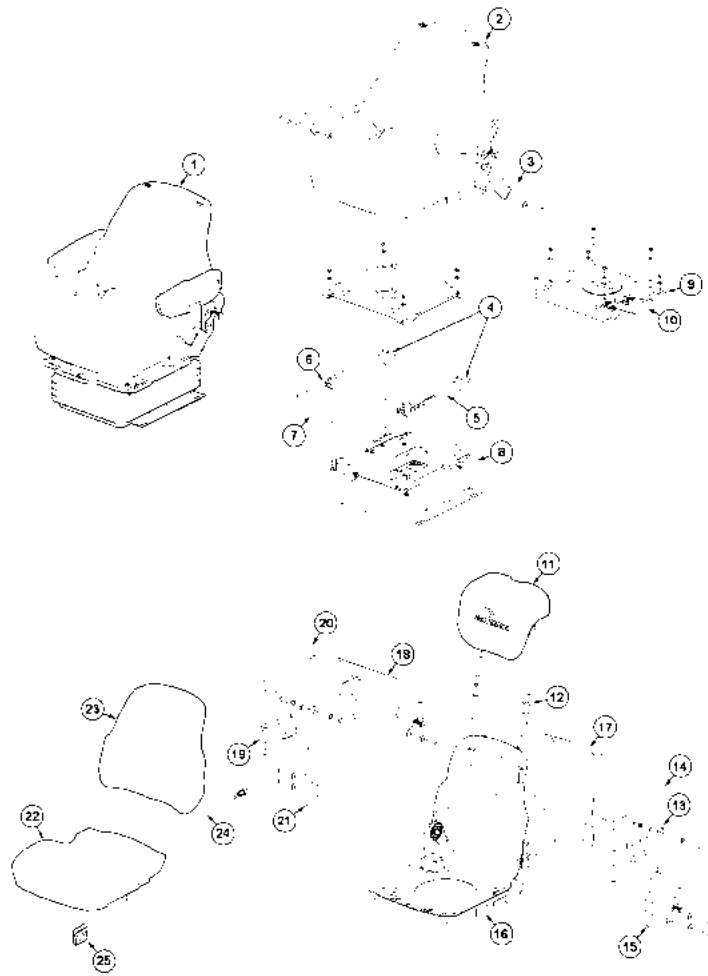
9 - Chassis / Attachments

9 -
095

SEAT ASSY - SEARS

XTX Series XTX185, XTX200, XTX215 (2005-2007)

9095



Left
Includes: 10
If So Equipped
Includes: 14
Lumbar
Armrest
Manual Control
Use With: 712843A1
Use With: 712845A1
LEFT HAND
Recliner
AutoSpeed
Heated Cushion
ELECTRICAL
Electronic Control
See Page(s): 9-115,117
CONTINUED

B

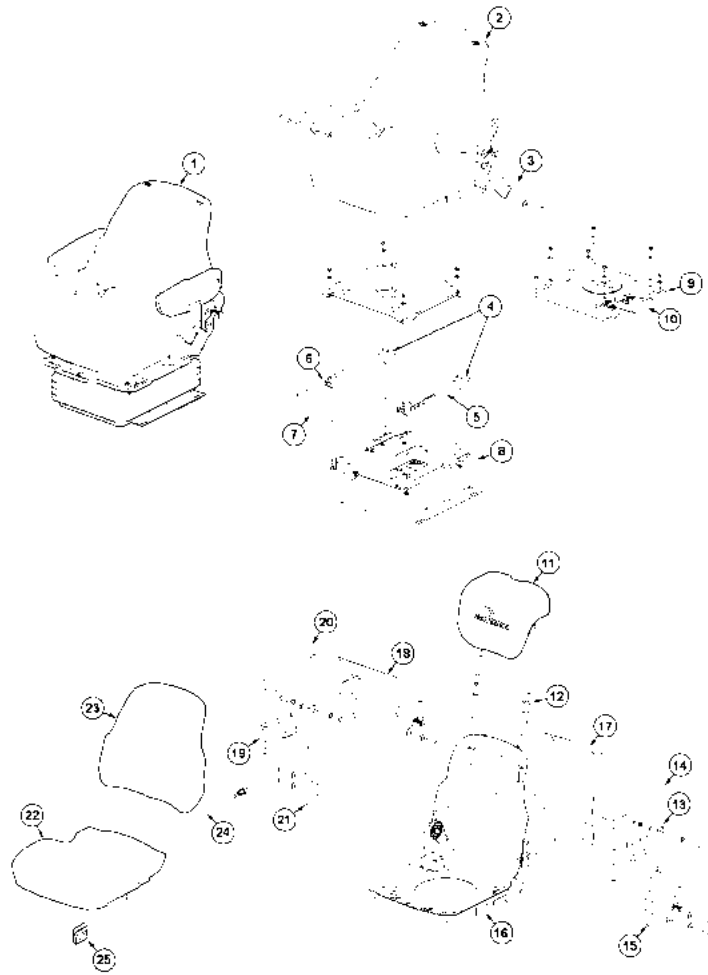
9 - Chassis / Attachments

9 -
097

SEAT ASSY - SEARS

XTX Series XTX185, XTX200, XTX215 (2005-2007)

9097



19	712859A1	1	KIT
19	712899A1	1	KIT
20	712858A1	1	Cover
20	712898A1	1	Cover
21	712860A1	1	Bracket
21	712861A1	1	Bracket
22	708261A1	1	Cushion Assy
22	708262A1	1	Cushion Assy
22	712848A1	1	CUSHION

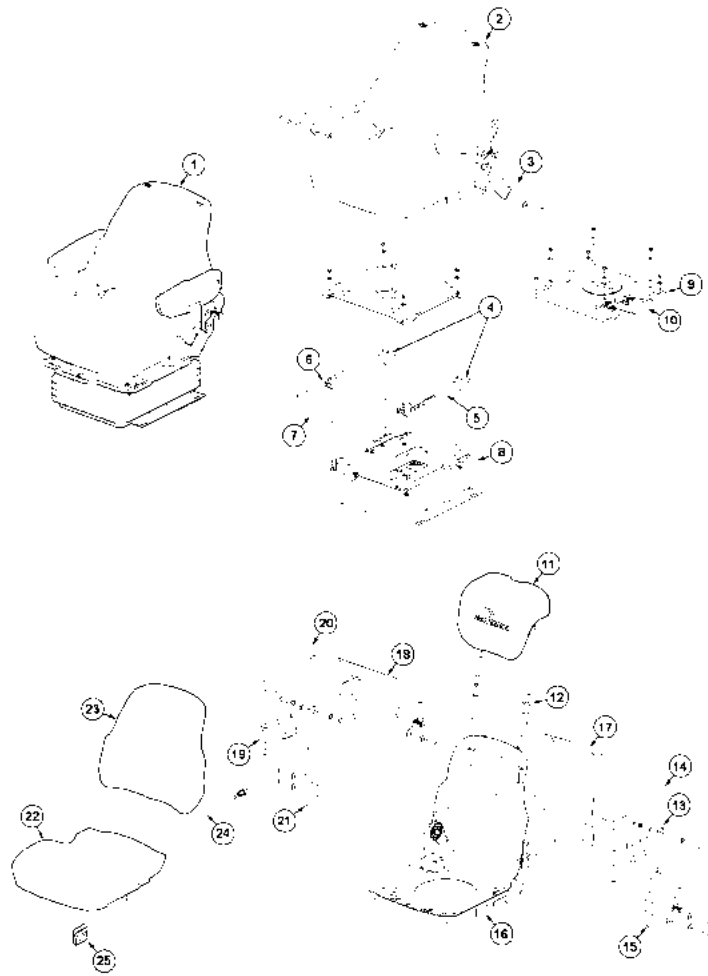
9 - Chassis / Attachments

9 -
097

SEAT ASSY - SEARS

XTX Series XTX185, XTX200, XTX215 (2005-2007)

9097



- 23 708259A1 1 Cushion Assy
- 23 711711A1 1 Switch Assy
- 23 712850A1 1 Cushion, B
- 23 712852A1 1 Cushion Assy

- 24 712868A1 1 KIT
- 24 712869A1 1 KIT

- 25 6520632M1 1 CLIP

Includes: 20
De-Luxe
Operator Presence Safety Switch
Armrest
RIGHT HAND
AutoSpeed
Heated Cushion
Includes: 711711A1
NOT ILLUSTRATED

A

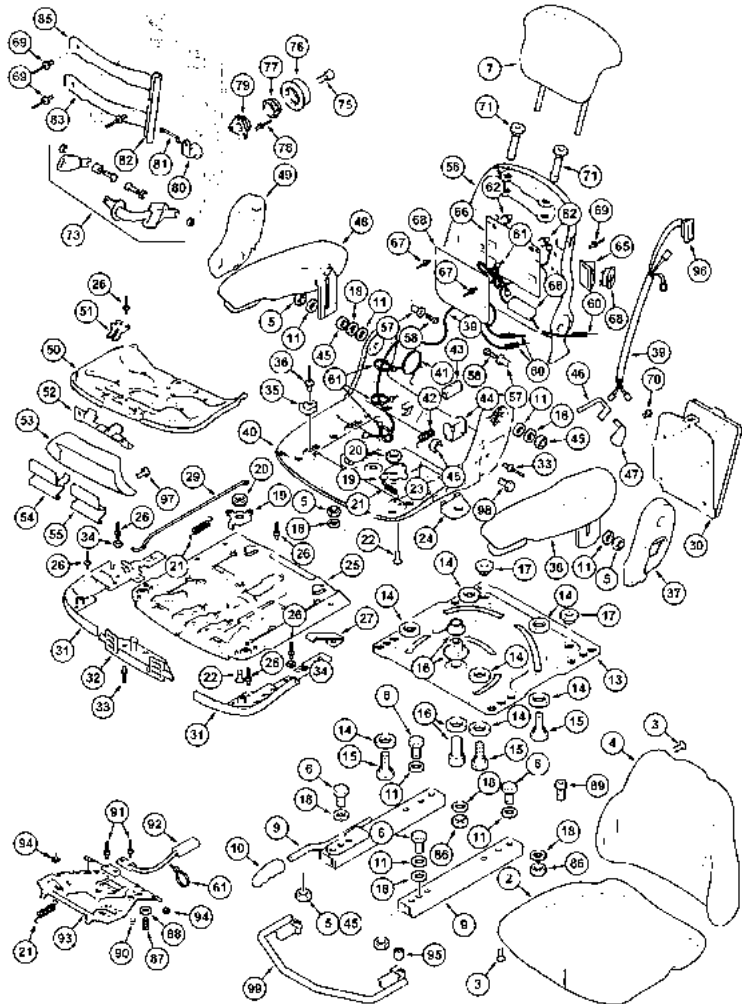
9 - Chassis / Attachments

9 -
099

SWIVEL SEAT - GRAMMER

XTX Series XTX185, XTX200, XTX215 (2005-2007)

9099



- | | | | |
|----|----------|---|------------|
| 1 | REF | 1 | Seat Assy |
| 2 | REF | 1 | CUSHION |
| 3 | 709531A1 | 0 | Screw |
| 4 | REF | 1 | CUSHION |
| 5 | TBA | 0 | Nut |
| 6 | 709341A1 | 4 | Screw |
| 7 | 711699A1 | 1 | Cushion, H |
| 9 | 709490A1 | 1 | SLIDE |
| 10 | 709448A1 | 1 | HANDLE |
| 11 | 709343A1 | 4 | Washer |
| 13 | 709451A1 | 1 | PLATE |
| 14 | 709330A1 | 0 | WASHER |
| 15 | 709399A1 | 0 | NUT |
| 16 | 709532A1 | 0 | KIT |
| 17 | 709325A1 | 0 | SKATE |
| 18 | 709338A1 | 0 | WASHER |
| 19 | 709458A1 | 2 | LEVER |
| 20 | 709389A1 | 0 | THIMBLE |

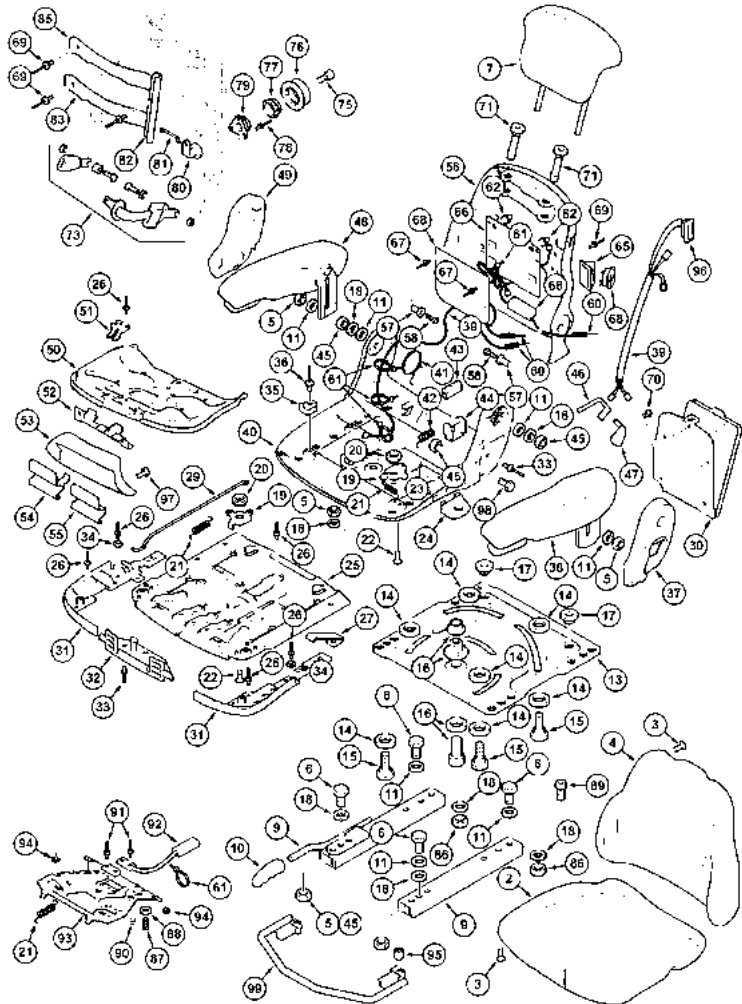
9 - Chassis / Attachments

9 -
099

SWIVEL SEAT - GRAMMER

XTX Series XTX185, XTX200, XTX215 (2005-2007)

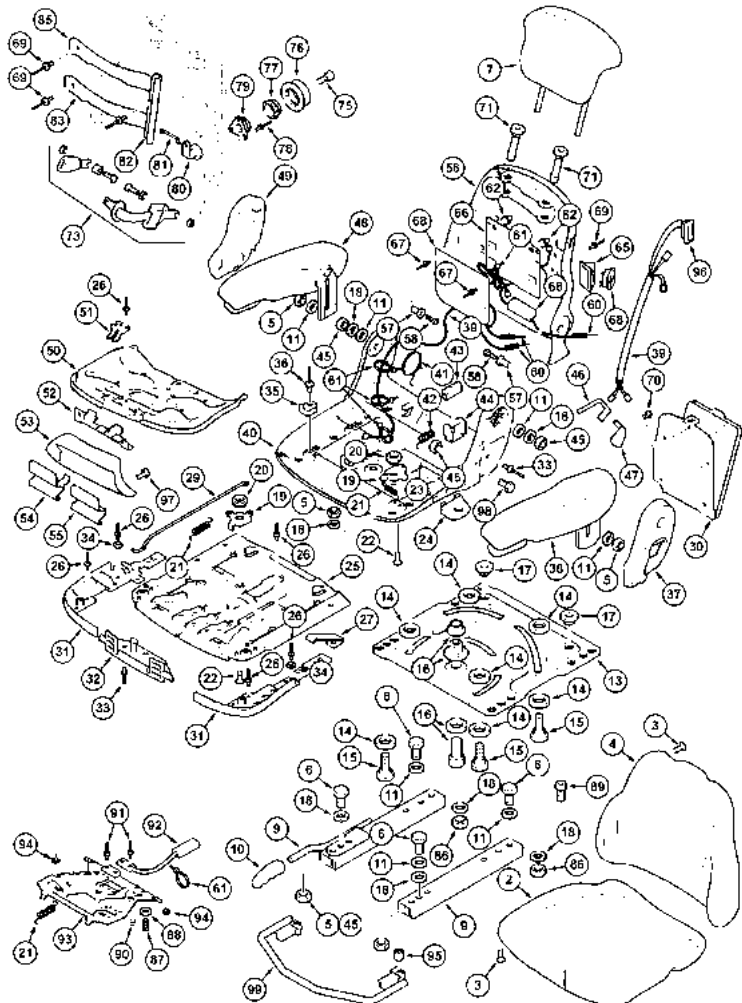
9099



- | | | | |
|----|----------|---|---------|
| 21 | 709355A1 | 0 | SPRING |
| 22 | TBA | 0 | Bolt |
| 23 | 709446A1 | 1 | ROD |
| 24 | 709481A1 | 1 | HANDLE |
| 25 | 709464A1 | 1 | PLATE |
| 26 | 709386A1 | 0 | RIVET |
| 27 | 709425A1 | 0 | Spring |
| 29 | 709443A1 | 1 | ROD |
| 30 | 709499A1 | 1 | BOX |
| 31 | 709469A1 | 1 | Cover |
| 32 | 709459A1 | 1 | Bracket |
| 33 | 709387A1 | 0 | RIVET |

XTX Series XTX185, XTX200, XTX215 (2005-2007)

9099



- Includes: 3
- Includes: 10
- Includes: 23
- Includes: 33
- 4 x 8 mm
- See Page(s): 9-91
- See Page(s): 9-87
- M8 x 25
- IV
- 5 x 25 mm
- Includes: 5,14,15,16,18
- Includes: 20,21,22
- Includes: 26,27,32
- Includes: 70
- Includes: 26,34
- 6 x 12 mm
- Use With: 710547A1
- CONTINUED

B

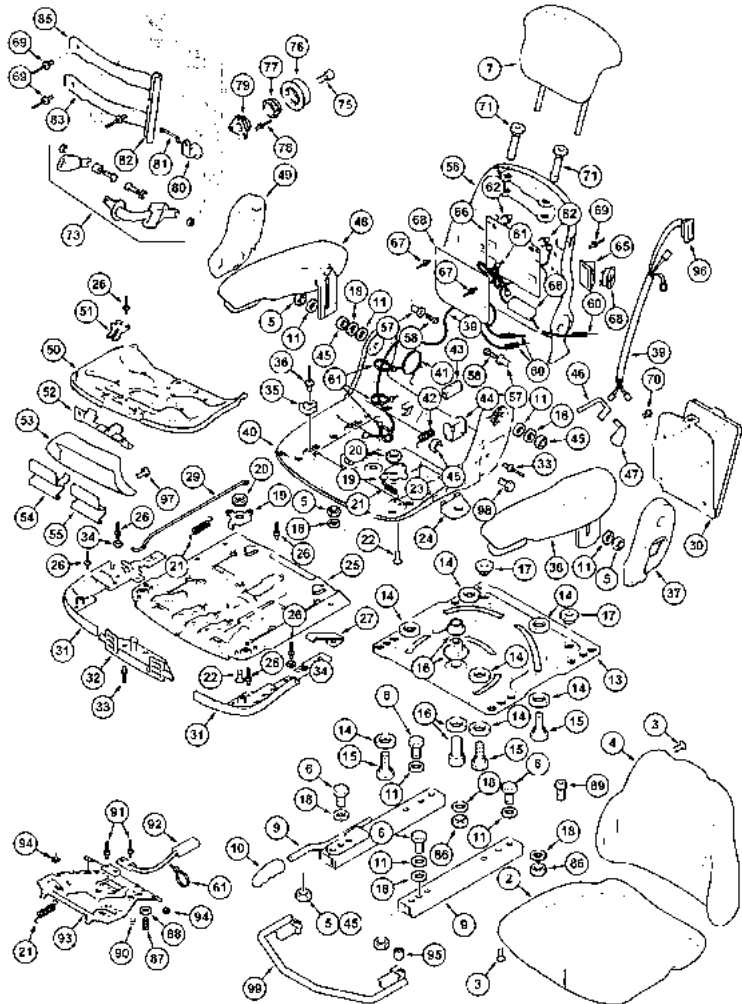
9 - Chassis / Attachments

9 -
101

SWIVEL SEAT - GRAMMER

XTX Series XTX185, XTX200, XTX215 (2005-2007)

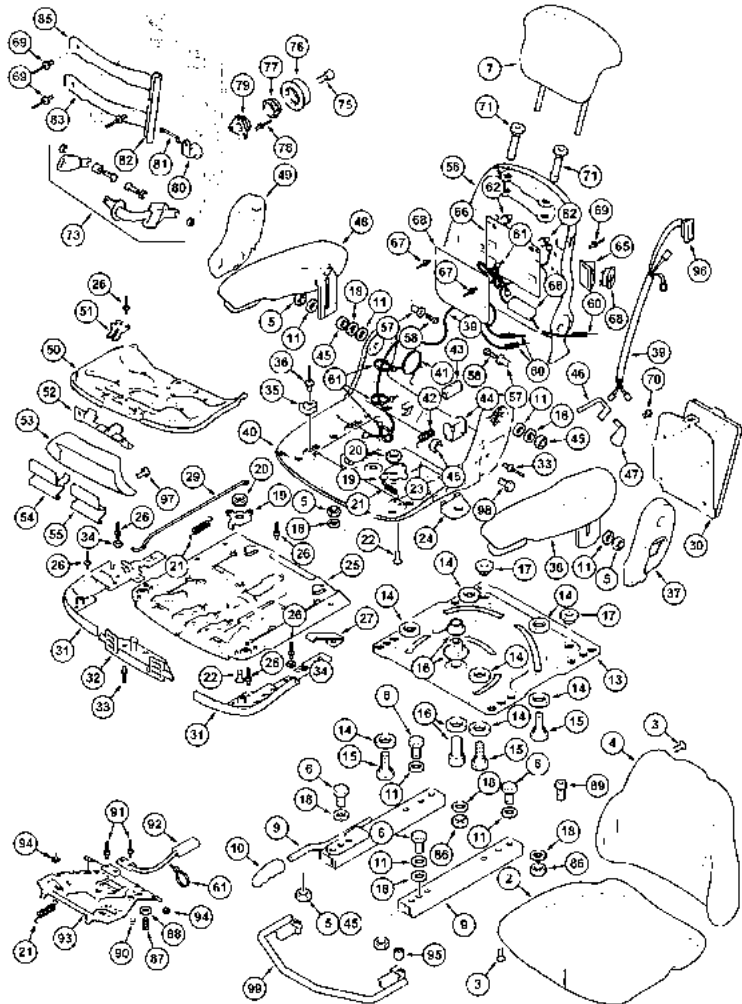
9101



- | | | | |
|----|----------|---|---------|
| 34 | 709371A1 | 0 | WASHER |
| 35 | 709426A1 | 0 | GUIDE |
| 36 | 709444A1 | 0 | RIVET |
| 37 | 711476A1 | 1 | Cover |
| 38 | 709169A1 | 1 | ARMREST |
| 39 | 709491A1 | 1 | Cable |
| 40 | 709489A1 | 1 | CUSHION |
| 41 | 709497A1 | 1 | Spring |
| 42 | 709526A1 | 1 | Spring |
| 43 | 709498A1 | 1 | STOP |
| 44 | 709462A1 | 1 | Bushing |
| 45 | 709342A1 | 0 | NUT |
| 46 | 709482A1 | 1 | LEVER |
| 47 | 709467A1 | 0 | HANDLE |
| 48 | 709171A1 | 1 | KIT |
| 49 | 711477A1 | 1 | Cover |
| 50 | 709465A1 | 1 | KIT |
| 51 | 709463A1 | 1 | Sheet |
| 52 | 709424A1 | 1 | Lever |
| 53 | 709483A1 | 1 | Cover |
| 54 | 709484A1 | 1 | HANDLE |

XTX Series XTX185, XTX200, XTX215 (2005-2007)

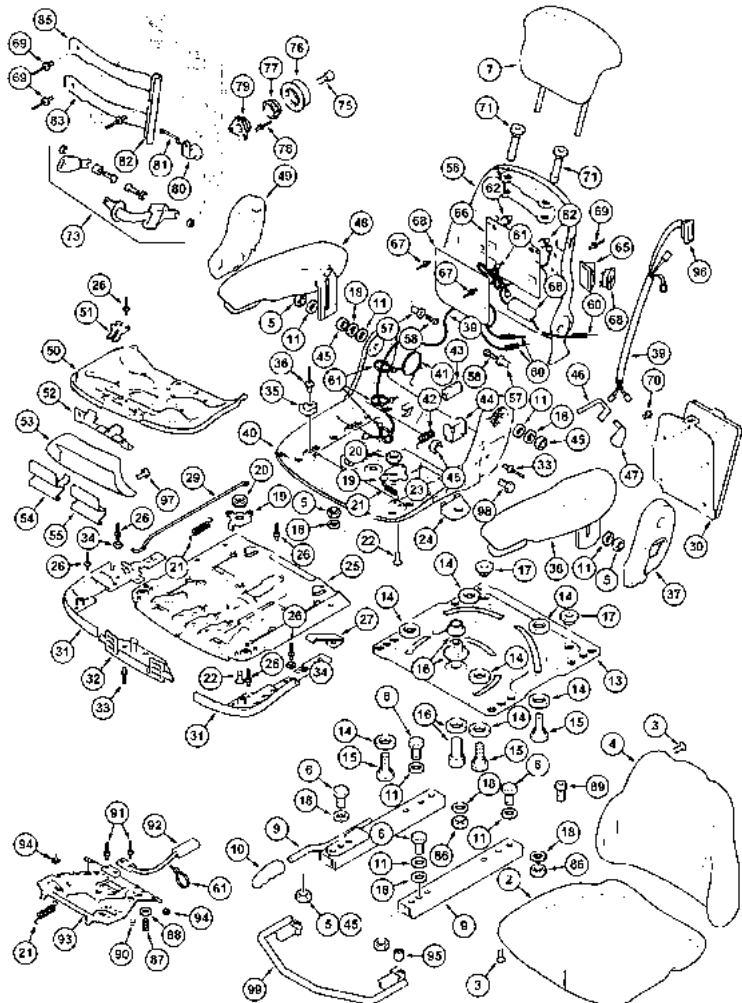
9101



- | | | | |
|----|----------|---|------------|
| 55 | 709457A1 | 1 | HANDLE |
| 56 | 709487A1 | 1 | FRAME ASSY |
| | | | |
| 56 | 709508A1 | 1 | FRAME ASSY |
| | | | |
| 57 | 709418A1 | 2 | PIPE |
| 58 | 709363A1 | 0 | SCREW |

XTX Series XTX185, XTX200, XTX215 (2005-2007)

9101



Left

Right

M8

Includes: 26

Includes: 29

4 x 16 mm

Backrest

M8 x 40

Includes: 5,11

Includes: 61

Includes: 33,35,36,45,58

Includes: 33,43

Includes: 33,47

Includes: 3,51

Includes: 110

Includes: 5,45,57,58,69

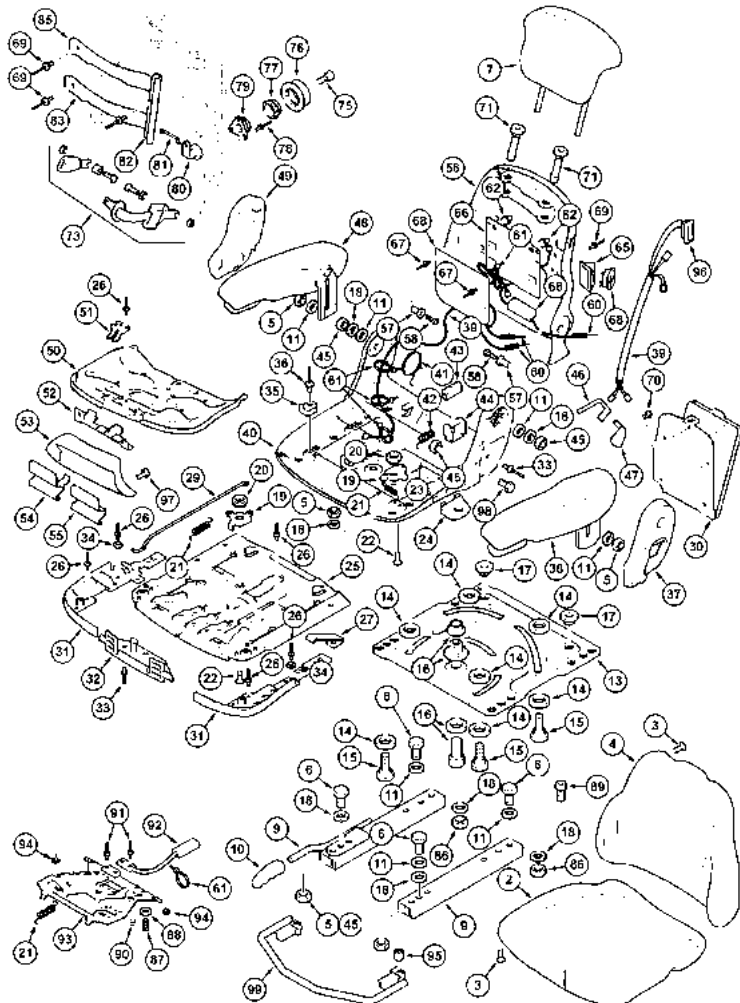
Use With: 710543A1,710544A1,710547A1

B

CONTINUED

XTX Series XTX185, XTX200, XTX215 (2005-2007)

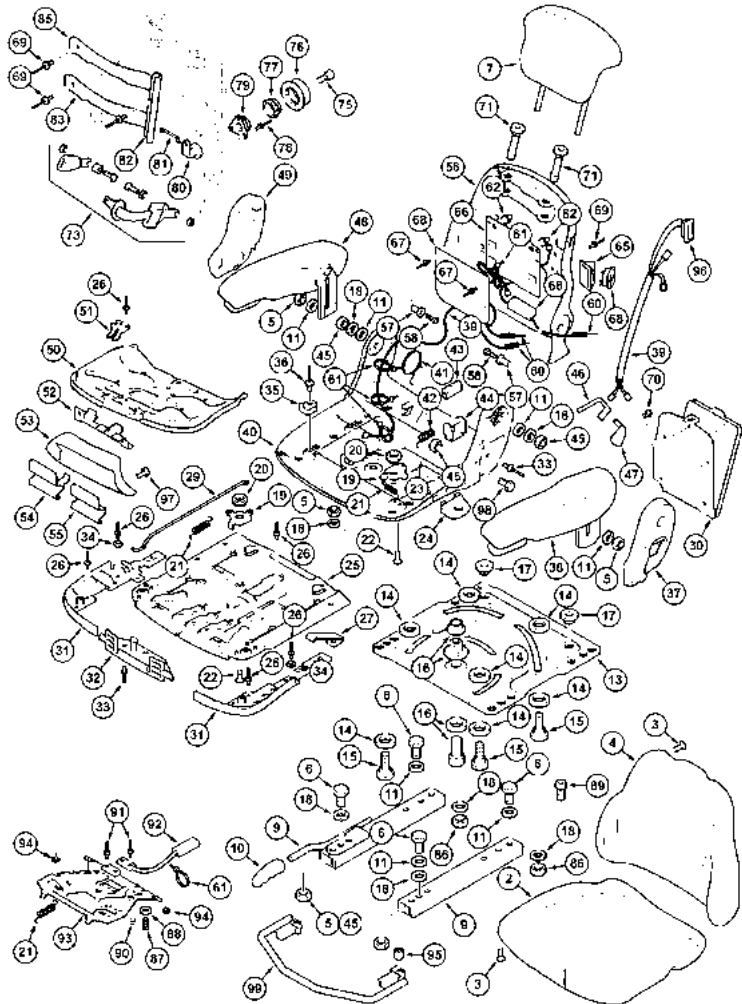
9103



- | | | | |
|----|----------|---|--------------|
| 60 | 709528A1 | 0 | Spring |
| 61 | 709356A1 | 0 | Strap, Cable |
| 62 | 709501A1 | 2 | BUMPER |
| 65 | 709480A1 | 1 | HOLDER |
| 66 | 709492A1 | 1 | Plate |
| 67 | 709346A1 | 2 | RIVET |
| 68 | 709496A1 | 1 | Support |
| 69 | 709470A1 | 0 | RIVET |
| 70 | 709328A1 | 0 | Screw |
| 71 | 709419A1 | 2 | Bushing |
| 73 | 709505A1 | 1 | Belt, Seat |
| 75 | 709422A1 | 1 | Screw |
| 76 | 709486A1 | 1 | HANDLE |
| 77 | 709421A1 | 1 | GEAR |
| 78 | 709348A1 | 3 | RIVET |
| 79 | 709415A1 | 1 | Spring |
| 80 | 709417A1 | 1 | ADJUSTER |
| 81 | 709412A1 | 1 | ROD |
| 82 | 709413A1 | 1 | Bracket |
| 83 | 709493A1 | 2 | Spring |
| 85 | 709485A1 | 4 | SUPPORT |
| 86 | 709472A1 | 4 | NUT |
| 87 | NSS | 2 | Pin |
| 88 | NSS | 2 | Spacer |
| 89 | 864-8016 | 4 | SCREW |

XTX Series XTX185, XTX200, XTX215 (2005-2007)

9103



- | | | | | |
|----|----------|------------------|---|-------------|
| 90 | 709445A1 | | 2 | Spring |
| 91 | 709447A1 | | 4 | RIVET |
| 92 | NSS | | 1 | Cable |
| 93 | 709521A1 | ● 6511019M91 (1) | 1 | Switch Assy |
| 94 | 709374A1 | | 2 | BUMPER |
| 94 | 709500A1 | | 2 | BUMPER |
| 95 | 709351A1 | | 4 | SPACER |
| 96 | 709385A1 | | 1 | SWITCH |
| 97 | 709423A1 | | 0 | Screw |
| 98 | 709337A1 | | 1 | SCREW |
| 99 | 254760A1 | | 1 | SKID |

M8 x 16; 8,8

M8

M6 x 10

M8 x 20

M5 x 16; 4,8

Includes: 61,62,69,67

5 x 11

Includes: 60,61,67

4 x 8

Includes: 75

Includes: 69,75 - 83

3.2 x 14

Includes: 61,91

Order: 709521A1

Includes: 21,87,88,90,92,94

Use With: 710547A1

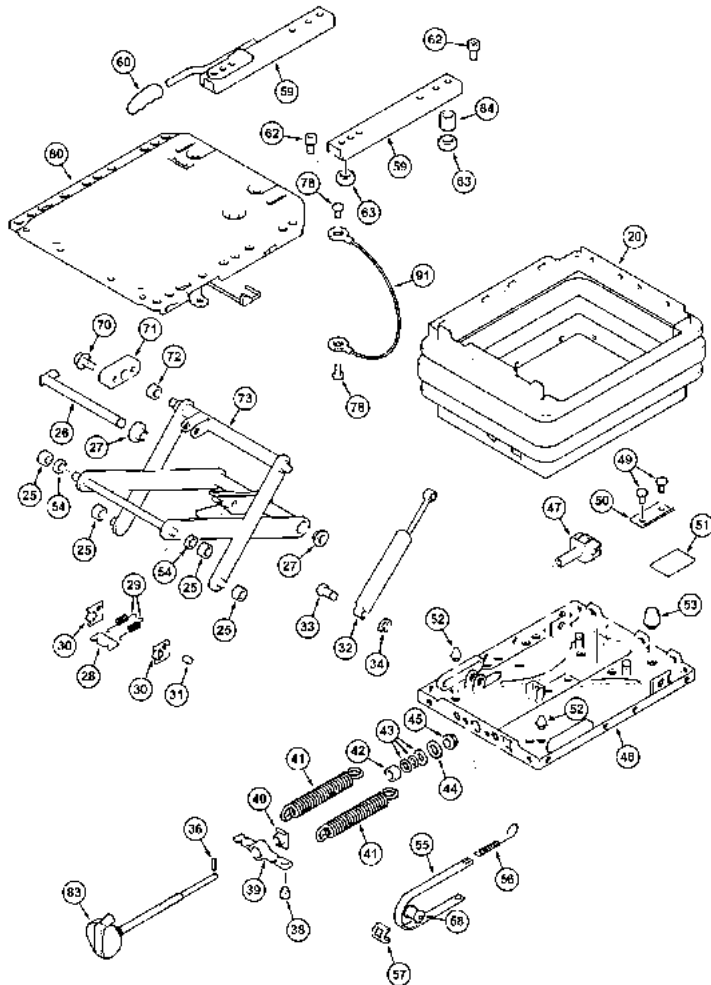
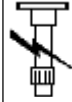
9 - Chassis / Attachments

9 -
105

MECHANICAL SUSPENSION - GRAMMER

XTX Series XTX185, XTX200, XTX215 (2005-2007)

9105



- | | | | |
|----|-----------|---|-------------|
| 1 | 709510A1 | 1 | Suspension |
| 19 | 709409A1 | 1 | CONSOLE |
| 20 | 709488A1 | 1 | BOOT |
| 25 | 3225310R1 | 4 | BUSH |
| 26 | 709353A1 | 1 | BOLT |
| 27 | 709352A1 | 2 | Bushing |
| 28 | 3225306R1 | 1 | RETAINER |
| 29 | 709360A1 | 2 | Spring |
| 30 | 709333A1 | 2 | Plate |
| 31 | 709334A1 | 1 | BOLT |
| 32 | 709449A1 | 1 | Shock Abso |
| 33 | 709335A1 | 2 | BOLT |
| 34 | 709503A1 | 2 | Washer |
| 36 | 709324A1 | 1 | Pin |
| 38 | 3225315R1 | 1 | PLUG |
| 39 | 3225296R1 | 1 | BACKBONE |
| 40 | 3225317R1 | 1 | NUT |
| 41 | 709347A1 | 2 | Spring |
| 42 | 709349A1 | 1 | PIPE |
| 43 | 3225318R1 | 1 | ROLL |
| 44 | 3225298R1 | 1 | LOCK WASHER |
| 45 | 709359A1 | 1 | Bushing |
| 47 | 709345A1 | 1 | KIT |
| 48 | 709367A1 | 1 | SUSPENSION |
| 49 | TBA | 2 | Rivet |
| 50 | 709365A1 | 1 | Bracket |

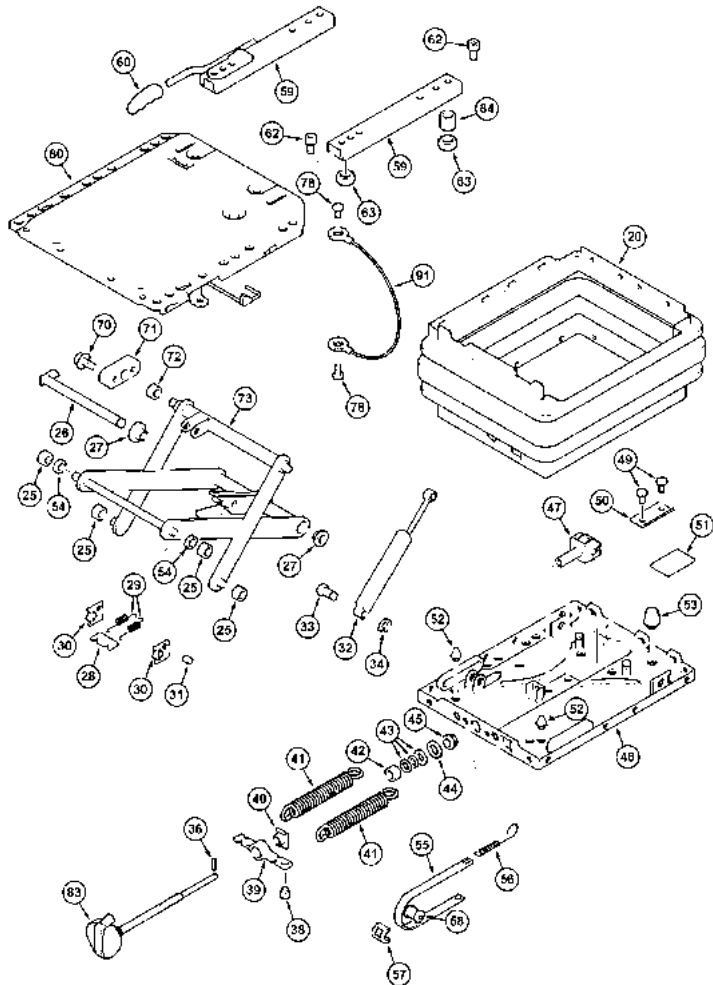
9 - Chassis / Attachments

9 -
105

MECHANICAL SUSPENSION - GRAMMER

XTX Series XTX185, XTX200, XTX215 (2005-2007)

9105



- | | | | |
|----|-----------|---|---------|
| 51 | 3225314R1 | 1 | PLATE |
| 52 | 709377A1 | 2 | BUMPER |
| 53 | 709380A1 | 1 | BUMPER |
| 54 | 709396A1 | 2 | Bushing |
| 55 | 709450A1 | 1 | KIT |
| 56 | 3225332R1 | 1 | SPRING |
| 57 | 3225282R1 | 1 | GUIDE |
| 58 | 3225299R1 | 1 | ROLLER |

M12

Includes: 49

Consists Of: 20 - 58,70 - 83,91

Includes: 33,34

M8 x 22

3 x 16

Includes: 49 - 53

Includes: 38,56,57,58

A NOT ILLUSTRATED

B CONTINUED

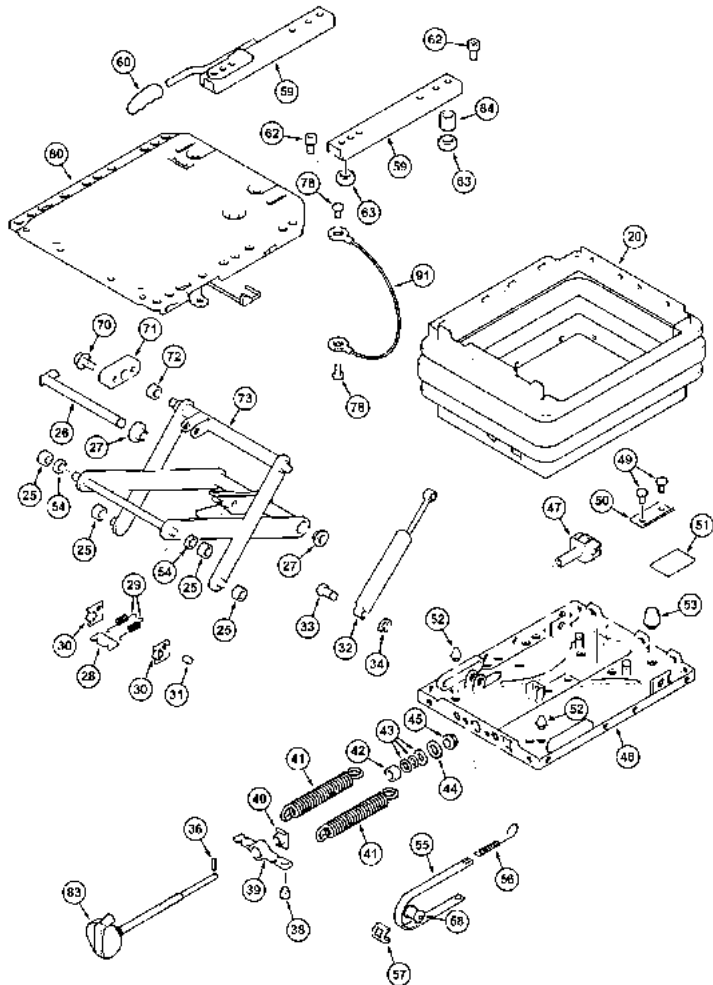
9 - Chassis / Attachments

9 -
107

MECHANICAL SUSPENSION - GRAMMER

XTX Series XTX185, XTX200, XTX215 (2005-2007)

9107



- | | | | |
|----|----------------|---|----------|
| 59 | 709490A1 | 1 | SLIDE |
| 60 | 709448A1 | 1 | HANDLE |
| 62 | 709373A1 | 6 | Screw |
| 63 | 832-10408 | 6 | NUT FNS |
| 70 | 709395A1 | 4 | Screw |
| 71 | 254689A1 | 1 | KIT |
| 72 | 709392A1 | 2 | Bushing |
| 73 | 709410A1 | 1 | KIT |
| | ● 254786A1 (1) | | |
| 78 | 709329A1 | 2 | RIVET |
| 80 | 709506A1 | 1 | Plate |
| 83 | 709394A1 | 1 | ADJUSTER |
| | ● 254691A1 (1) | | |
| 84 | 709351A1 | 6 | SPACER |
| 91 | 291281A1 | 1 | KIT |

M8; 8

M6 x 16

Includes: 36

M8 x 25

Includes: 60

Includes: 70,72

Includes: 25 - 31,33,34,54

Includes: 78

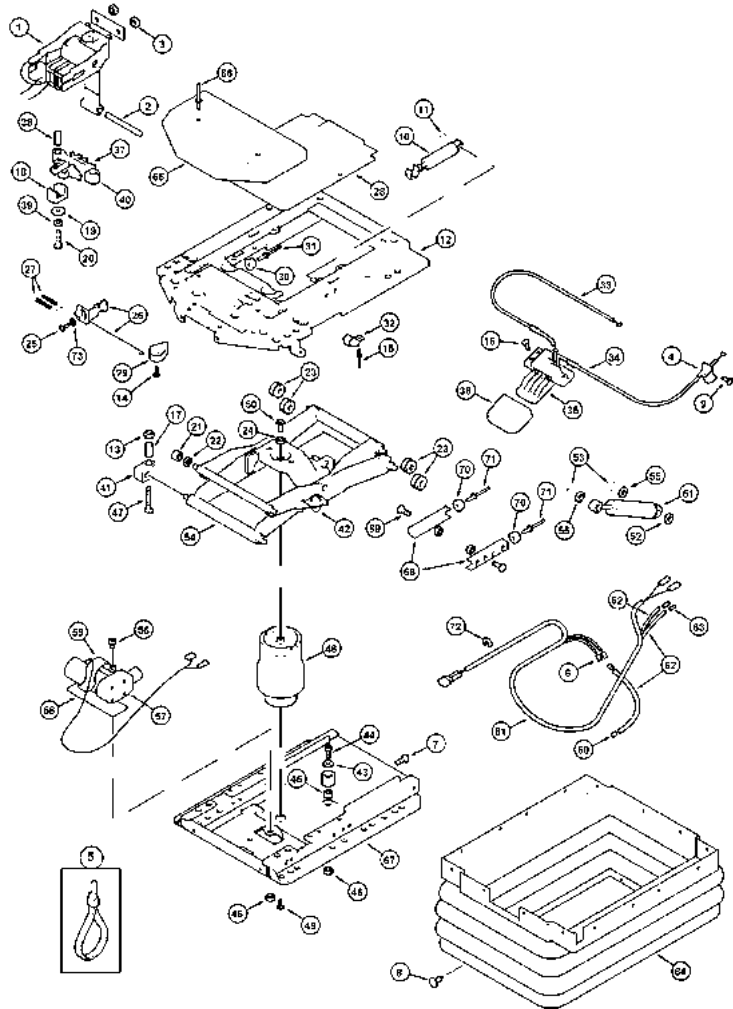
9 - Chassis / Attachments

9 -
109

AIR SUSPENSION - GRAMMER - Europe Only

XTX Series XTX185, XTX200, XTX215 (2005-2007)

9109



- | | | | | |
|----|-----------|----------------|---|----------|
| 1 | 709536A1 | | 1 | KIT |
| 2 | NSS | | 1 | Bolt |
| 3 | 60-4845T1 | | 2 | NUT |
| 4 | NSS | | 1 | Housing |
| 5 | NSS | | 0 | Strap |
| 6 | 345118A1 | | 2 | Adapter |
| 7 | NSS | | 1 | Screw |
| 8 | 3225292R1 | ● 709331A1 (0) | 0 | RETAINER |
| 9 | NSS | | 1 | Screw |
| 10 | 254764A1 | | 1 | DAMPER |
| 11 | 709350A1 | | 1 | WASHER |
| 12 | 254765A1 | | 1 | KIT |
| 13 | 60-4845T1 | | 2 | NUT |
| 14 | 709391A1 | | 1 | Screw |
| 15 | 709376A1 | | 2 | RIVET |
| 16 | 709423A1 | | 3 | Screw |
| 17 | 709362A1 | | 2 | PIPE |
| 18 | 709378A1 | | 1 | BUMPER |
| 19 | NSS | | 2 | Washer |
| 20 | 814-8035 | ● 339009X1 (2) | 2 | BOLT |
| 21 | 709517A1 | | 2 | Roller |
| 22 | NSS | | 2 | Ring |
| 23 | 709370A1 | | 4 | ROLLER |

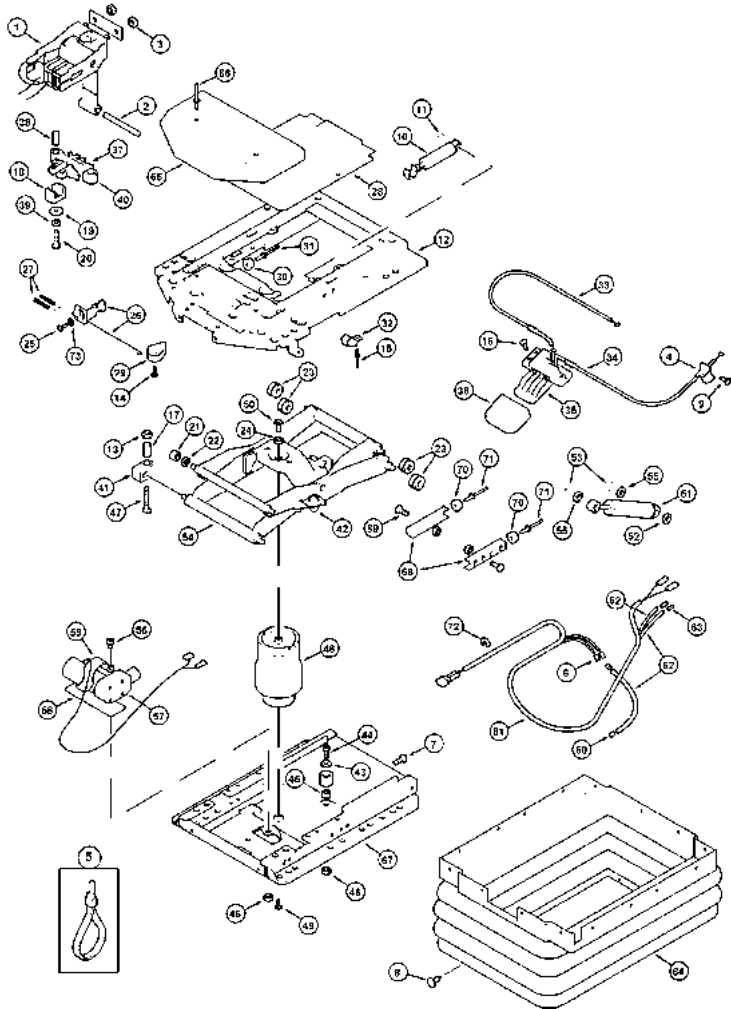
9 - Chassis / Attachments

9 -
109

AIR SUSPENSION - GRAMMER - Europe Only

XTX Series XTX185, XTX200, XTX215 (2005-2007)

9109



- 24 895-11008 1 WASHER
- 25 NSS 1 Screw
- 26 NSS 1 Lever
- 27 NSS 2 Spring
- 28 254766A1 1 KIT

- 29 254767A1 1 HANDLE

- 30 254768A1 1 DAMPER

- 31 3223480R1 1 RIVET

9 x 17 x 1,6 mm

M8 x 35; 8,8

M8

Includes: 11

Cover

Includes: 8

Includes: 31

Includes: 14

Includes: 2 - 9

Rubber

M5 x 16; 4,8

Felt

Handle

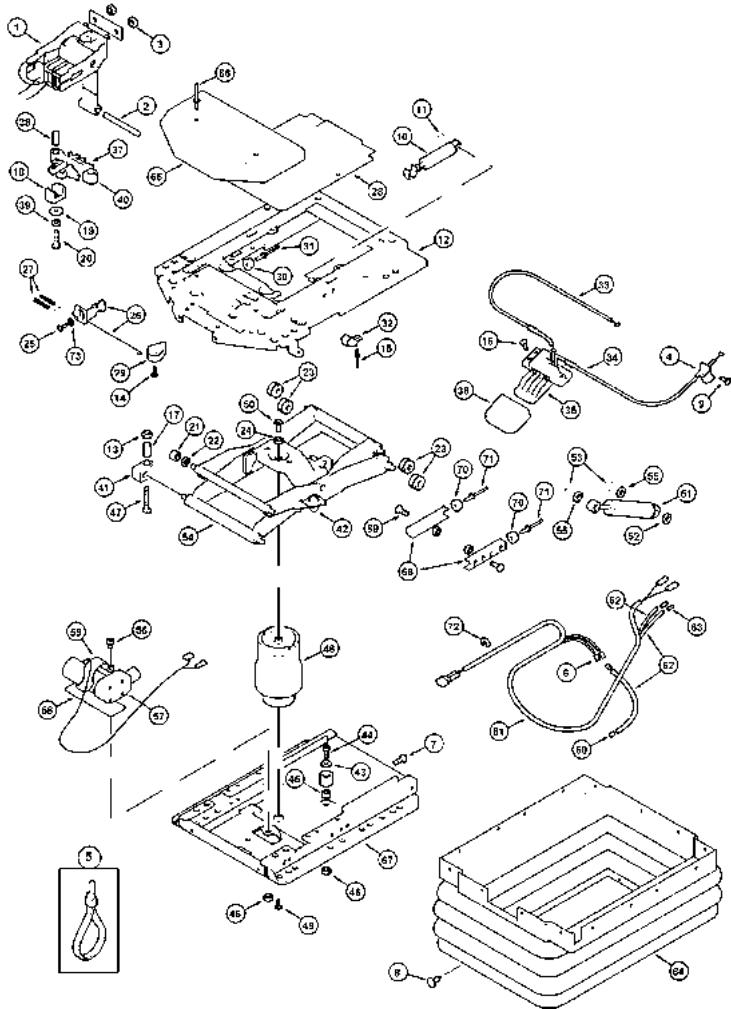
Includes: 13 - 29

M4 x 14

B CONTINUED

XTX Series XTX185, XTX200, XTX215 (2005-2007)

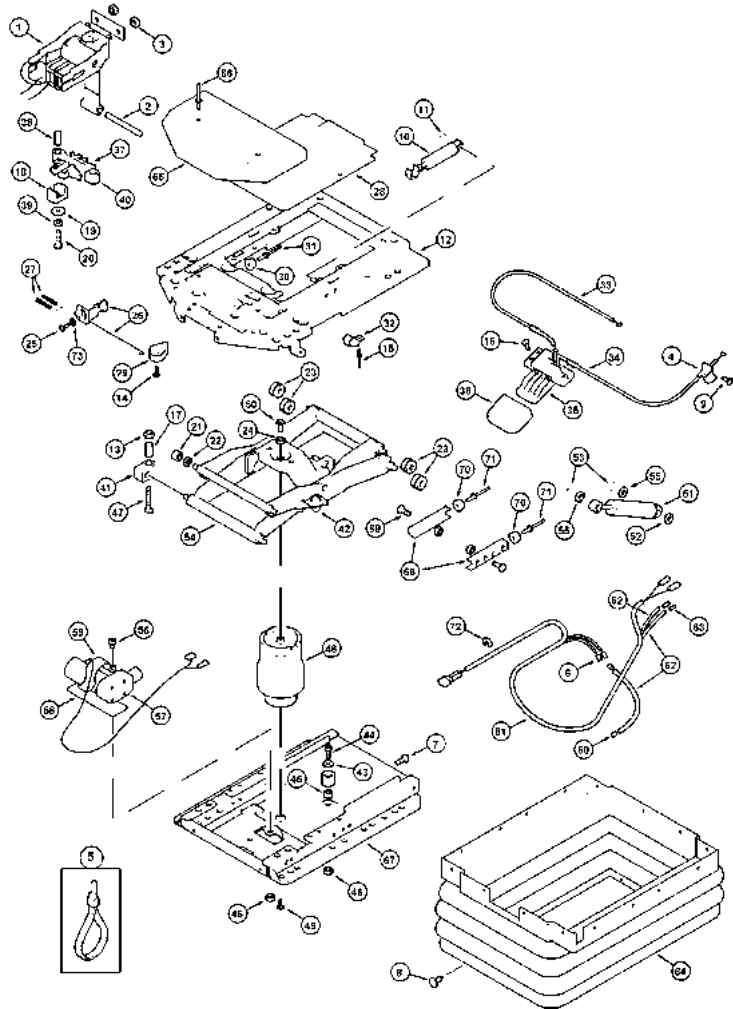
9111



- | | | | |
|----|-----------|---|-------------|
| 32 | 709383A1 | 1 | STOP |
| 33 | 709382A1 | 1 | CABLE |
| 34 | 709420A1 | 1 | KIT |
| 35 | 402386A1 | 1 | KIT |
| 36 | 709414A1 | 1 | HANDLE |
| 37 | 254775A1 | 1 | KIT |
| 38 | NSS | 2 | Tube |
| 39 | 895-11008 | 2 | WASHER |
| 40 | 709361A1 | 2 | THIMBLE |
| 41 | 709369A1 | 1 | BEARING |
| 42 | 709501A1 | 2 | BUMPER |
| 43 | 3402565R1 | 1 | LOCK WASHER |
| 44 | NSS | 1 | Bolt |
| 45 | NSS | 1 | Spacer |
| 46 | 832-10408 | 2 | NUT FNS |

XTX Series XTX185, XTX200, XTX215 (2005-2007)

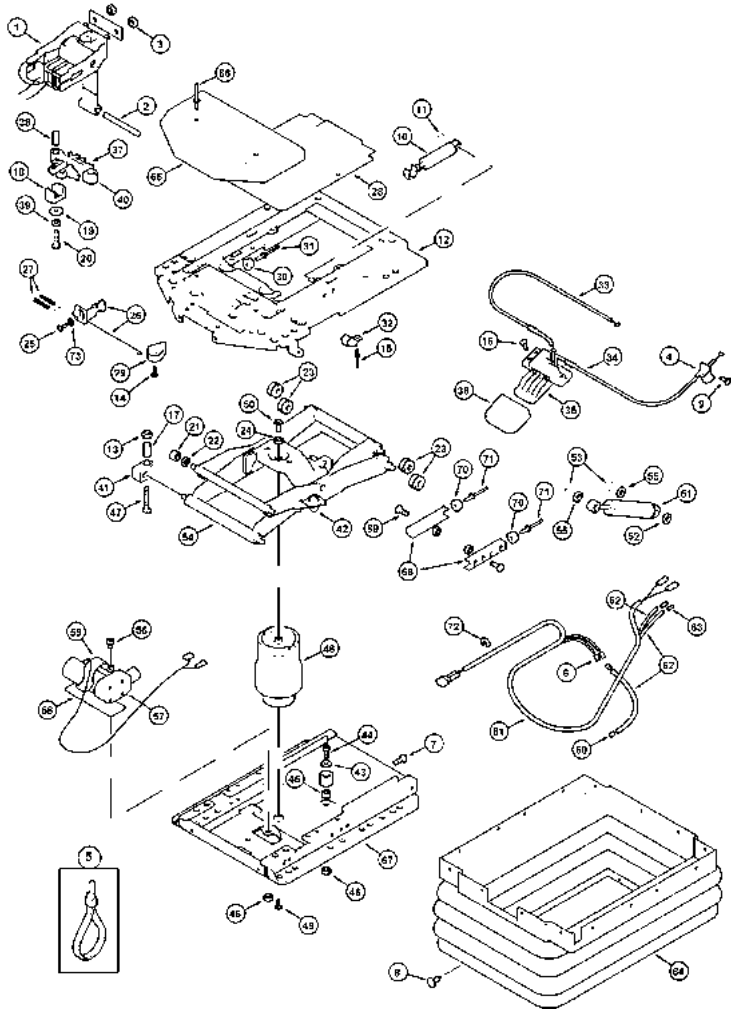
9111



- | | | | | |
|----|-----------|--------------------|---|------------|
| 47 | NSS | | 2 | Screw |
| 48 | 709537A1 | | 1 | KIT |
| 49 | NSS | | 2 | Screw |
| 50 | NSS | | 4 | Fitting |
| 51 | 300520A1 | | 1 | DAMPER |
| 52 | 895-18010 | ● 003555011250 (4) | 4 | WASHER |
| 53 | NSS | | 2 | Ring, Reta |
| 54 | 709471A1 | | 1 | ARM |
| 55 | 895-18010 | ● 003555011250 (2) | 2 | WASHER |
| 56 | 864-8012 | | 1 | SCREW |

XTX Series XTX185, XTX200, XTX215 (2005-2007)

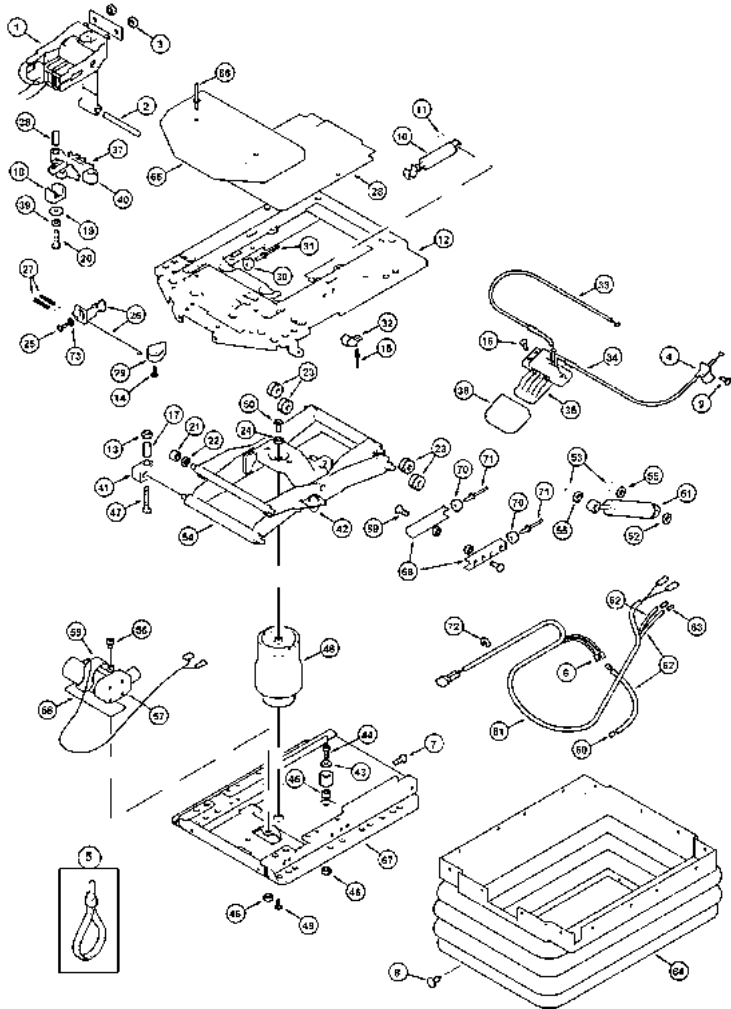
9111



- M8; 8
 - 9 x 17 x 1,6 mm
 - M8 x 12; 8,8
 - 11 x 18 x 1,6 mm
 - Spring
 - Service
 - Shock Absorber
 - Includes: 52,53
 - Height Control
 - STOP
 - Cable
 - Isolator
 - Swing Arm
 - Includes: 8,15
 - Includes: 8,16
 - Includes: 4,8,16
 - Includes: 8,9,16,36
 - Includes: 8,15,18 - 22,30,31,38 - 40
 - Includes: 8,17,18,21 - 23,30,42 - 46
 - Includes: 8,24,49,50
 - Includes: 1,3,5,7,8,15,18 - 21,23,30,38,39,41,47,49,52,55,56
- B
- CONTINUED

XTX Series XTX185, XTX200, XTX215 (2005-2007)

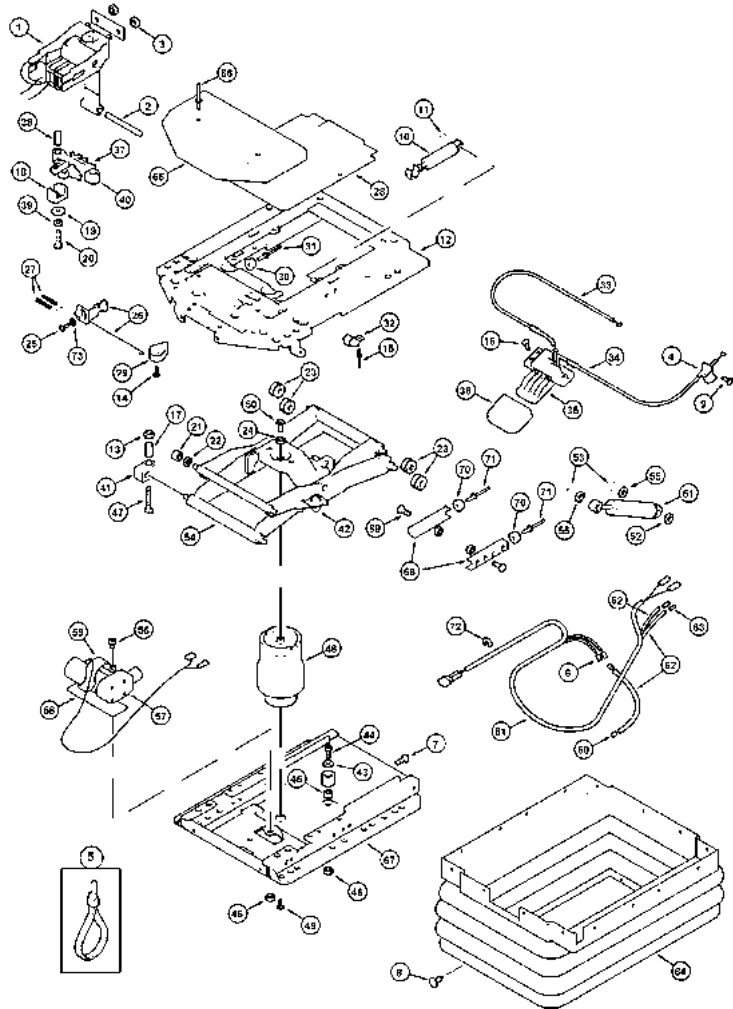
9113



- | | | | | | |
|----|-----------|---|--------------|---|-----------|
| 57 | 254780A1 | ● | 709535A1 (1) | 1 | KIT |
| 58 | NSS | | | 1 | Plate |
| 59 | NSS | | | 1 | Bracket |
| 60 | 60-4895T1 | | | 2 | CONNECTOR |
| 61 | 709408A1 | | | 1 | KIT |
| 62 | 254782A1 | ● | 709534A1 (1) | 1 | KIT |
| 63 | 345118A1 | | | 2 | Adapter |
| 64 | 709476A1 | | | 1 | KIT |
| 65 | 254784A1 | | | 1 | KIT |
| 66 | NSS | | | 2 | Rivet |
| 67 | 709475A1 | | | 1 | GLASS |
| 68 | 709410A1 | ● | 254786A1 (1) | 1 | KIT |

XTX Series XTX185, XTX200, XTX215 (2005-2007)

9113



- | | | | |
|----|-----------|---|--------|
| 69 | 614-8016 | 2 | SCREW |
| 70 | 3223486R1 | 2 | Bumper |
| 71 | NSS | 2 | Rivet |
| 72 | 709525A1 | 1 | CLAMP |
| 73 | 709371A1 | 1 | WASHER |

LOWER

M8 x 16; 8,8

Cover

Includes: 8

Suspension

Bellows

STOP

Cable

COMPRESSOR

FLEXIBLE

Consists Of: 3,5,8,56,58 - 60

Includes: 5,8

Includes: 5,8,60,63

Includes: 66

Includes: 3,5,7,8,23,38,41,46,47,49,56,68 - 70

Includes: 69 - 71

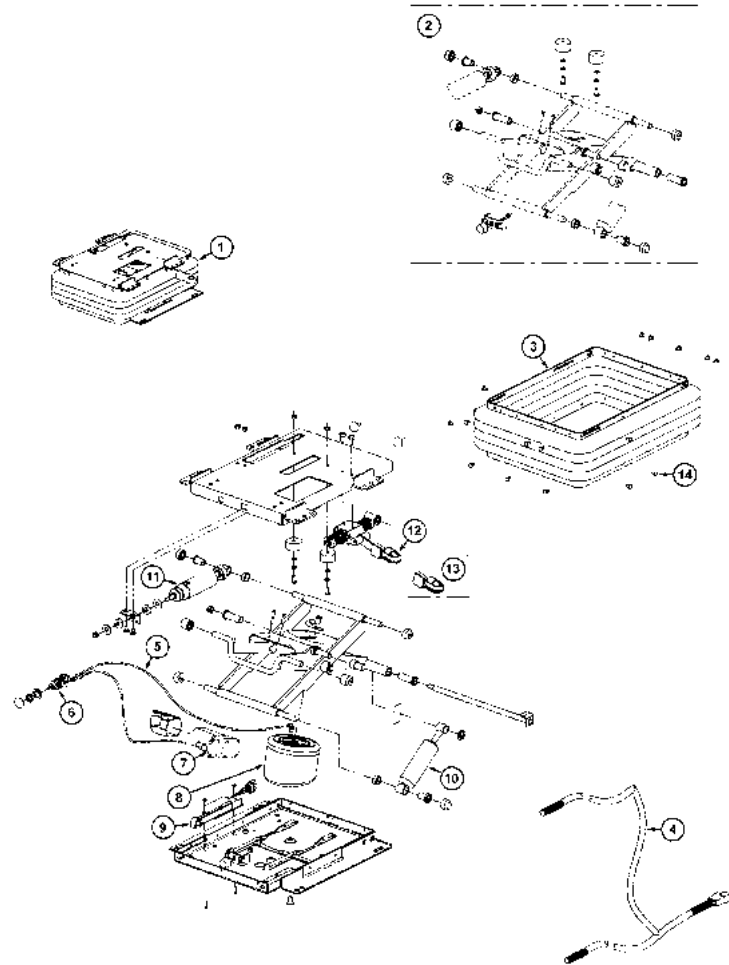
9 - Chassis / Attachments

9 -
115

AIR SUSPENSION - SEARS

XTX Series XTX185, XTX200, XTX215 (2005-2007)

9115



- | | | | |
|----|----------|---|------------|
| 1 | 712889A1 | 1 | Suspension |
| 2 | 712950A1 | 1 | KIT |
| 2 | 712951A1 | 1 | KIT |
| 3 | 712901A1 | 1 | BOOT |
| 3 | 712952A1 | 1 | BOOT |
| 4 | 712904A1 | 1 | HARNESS |
| 5 | 712948A1 | 1 | KIT |
| 6 | 712896A1 | 1 | KIT |
| 7 | 712891A1 | 1 | COMPRESSOR |
| 8 | 708274A1 | 1 | Package, S |
| 9 | 712906A1 | 1 | KIT |
| 10 | 712894A1 | 1 | DAMPER |
| 11 | 708278A1 | 1 | Kit |
| 12 | 708279A1 | 1 | Package, S |

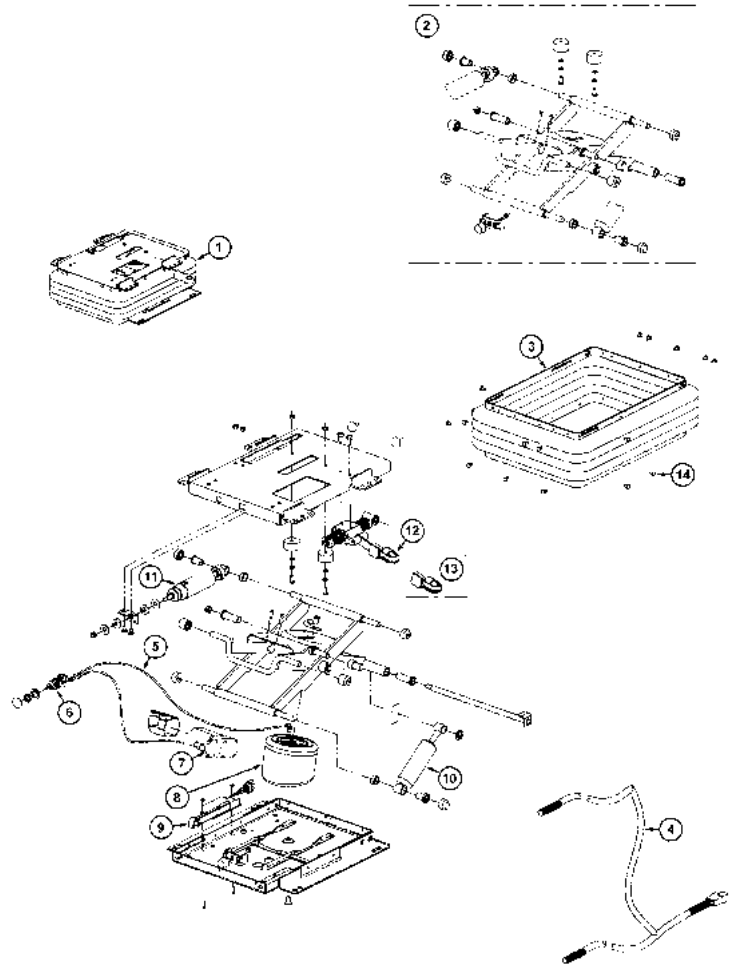
9 - Chassis / Attachments

9 -
115

AIR SUSPENSION - SEARS

XTX Series XTX185, XTX200, XTX215 (2005-2007)

9115



13 708280A1

1 Knob

14 712903A1

0 RETAINER

If So Equipped
Includes: 13
VALVE
Spring
Suspension
Height Adjustment
Used With: 712888A1
Used With: 712889A1
Used With: 712950A1
Used With: 712951A1
Tube
Fore And Aft

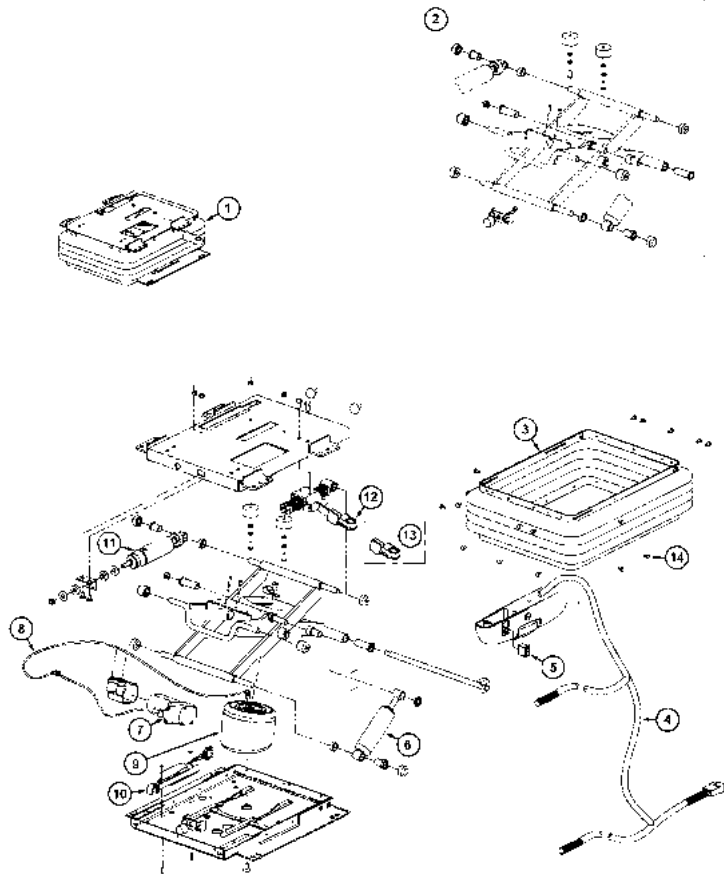
9 - Chassis / Attachments

9 -
117

AIR SUSPENSION - SEARS - De-Luxe

XTX Series XTX185, XTX200, XTX215 (2005-2007)

9117



- | | | | |
|----|----------|---|------------|
| 1 | 712890A1 | 1 | Suspension |
| 2 | 712951A1 | 1 | KIT |
| 3 | 712901A1 | 1 | BOOT |
| 4 | 712905A1 | 1 | HARNES |
| 5 | 712897A1 | 1 | SWITCH |
| 6 | 712894A1 | 1 | DAMPER |
| 7 | 708272A1 | 1 | Package, S |
| 8 | 708275A1 | 1 | Package, S |
| 9 | 708274A1 | 1 | Package, S |
| 10 | 712906A1 | 1 | KIT |
| 11 | 708278A1 | 1 | Kit |
| 12 | 708279A1 | 1 | Package, S |
| 13 | 708280A1 | 1 | Knob |
| 14 | 712903A1 | 0 | RETAINER |

Spring
Suspension
Height Adjustment
Tube
Fore And Aft

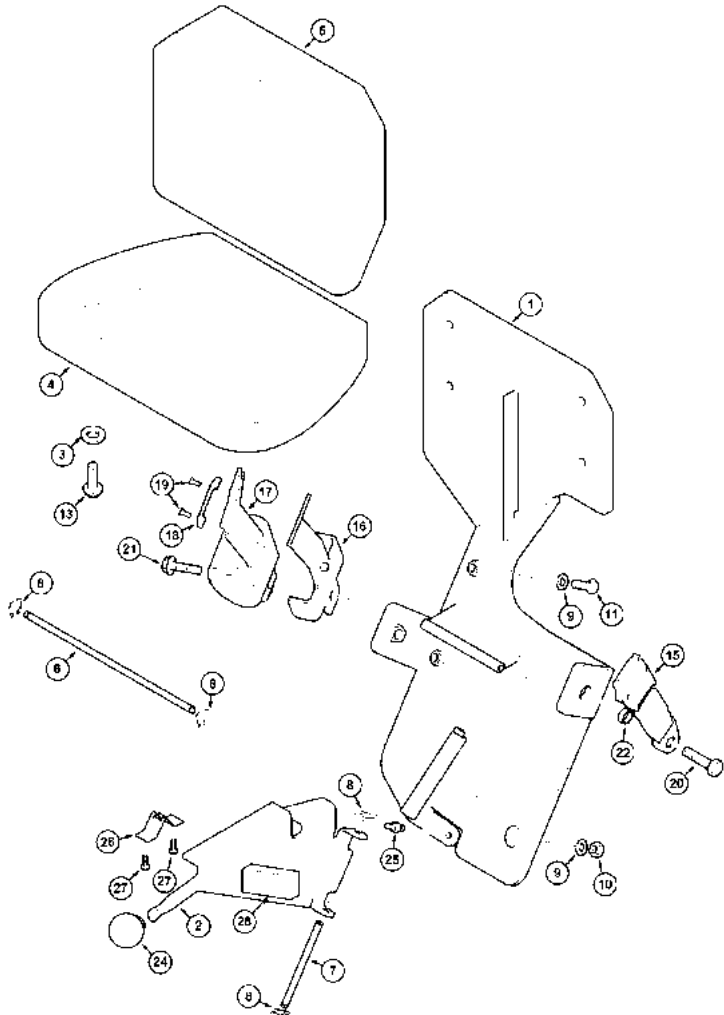
9 - Chassis / Attachments

9 -
119

SEAT CO-WORKER - Optional

XTX Series XTX185, XTX200, XTX215 (2005-2007)

9119



- | | | | | | |
|----|-----------|---|------------------|---|------------|
| 1 | 709814A6 | ● | 3019560X1 (1) | 1 | SUPPORT |
| | | | 3673120M2 (1) | | |
| | | | 6502243M92 (1) | | |
| | | | 6502443M1 (1) | | |
| 2 | 709819A5 | ● | 3019124X1 (4) | 1 | STIRRUP |
| | | | 339291X1 (2) | | |
| | | | 391039X1 (1) | | |
| | | | 6502233M1 (6) | | |
| 3 | 711785A1 | ● | 003555012300 (4) | 4 | Washer |
| 4 | 711859A2 | ● | 6514396M91 (1) | 1 | Seat |
| 5 | 711857A2 | ● | 6514378M91 (1) | 1 | Backrest |
| 6 | 709865A2 | | | 1 | Pin |
| 7 | 709866A2 | | | 1 | Pin |
| 8 | 800-436 | | | 4 | RING |
| 9 | 495-71041 | | | 6 | WASHER |
| 10 | 829-1408 | | | 4 | NUT |
| 11 | 814-8050 | | | 2 | BOLT |
| 13 | 711784A1 | ● | 339401X1 (4) | 4 | BOLT |
| 14 | 712074A1 | | | 1 | Belt, Seat |

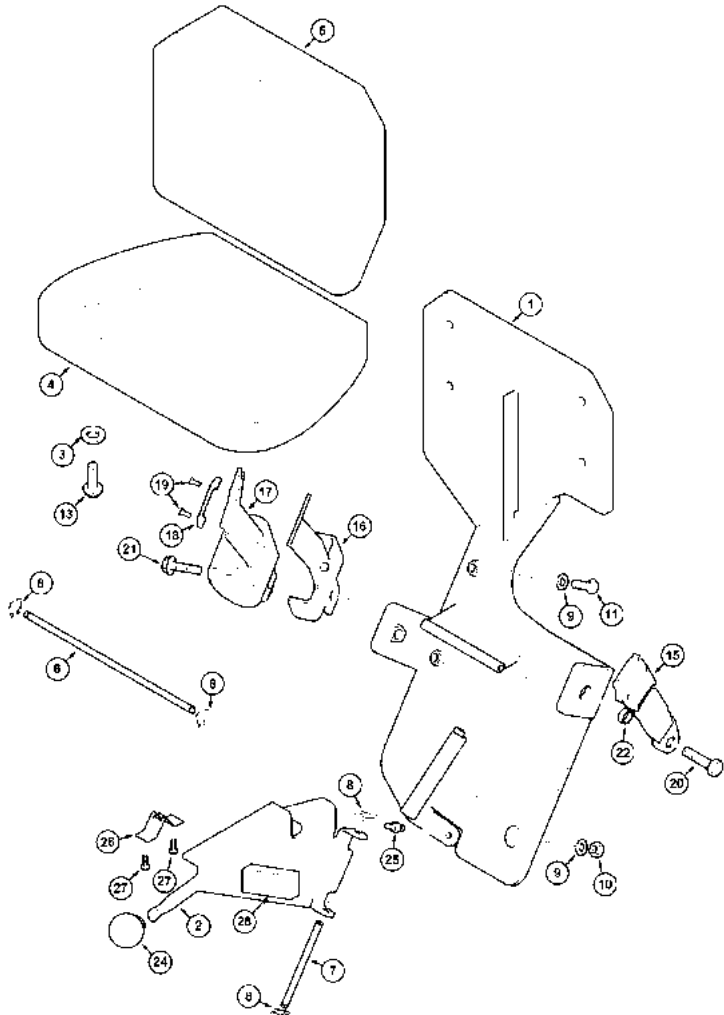
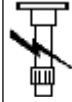
9 - Chassis / Attachments

9 -
119

SEAT CO-WORKER - Optional

XTX Series XTX185, XTX200, XTX215 (2005-2007)

9119



- | | | | | |
|----|-----------|--------------|---|---------------|
| 15 | 710598A1 | | 1 | Kit |
| 16 | 712005A1 | ● N.L.S. (1) | 1 | Plate Assy |
| 17 | NSS | | 1 | Belt, Seat |
| 18 | 700701A1 | | 1 | Clip |
| 19 | 842-1412 | | 2 | Screw |
| 20 | 428-724 | | 1 | BOLT |
| 21 | 702721A1 | | 1 | Bolt, Flange |
| 22 | 700821A1 | | 1 | Bushing |
| 23 | 345-176 | | 0 | LOCTITE |
| 24 | 1958759C1 | | 1 | GRIP |
| 25 | 240699A2 | | 1 | STUD |
| 26 | 710425A1 | | 1 | BOLT |
| 27 | 710670A1 | | 2 | SCREW |
| 28 | 711814A1 | | 1 | RUBBER SPONGE |

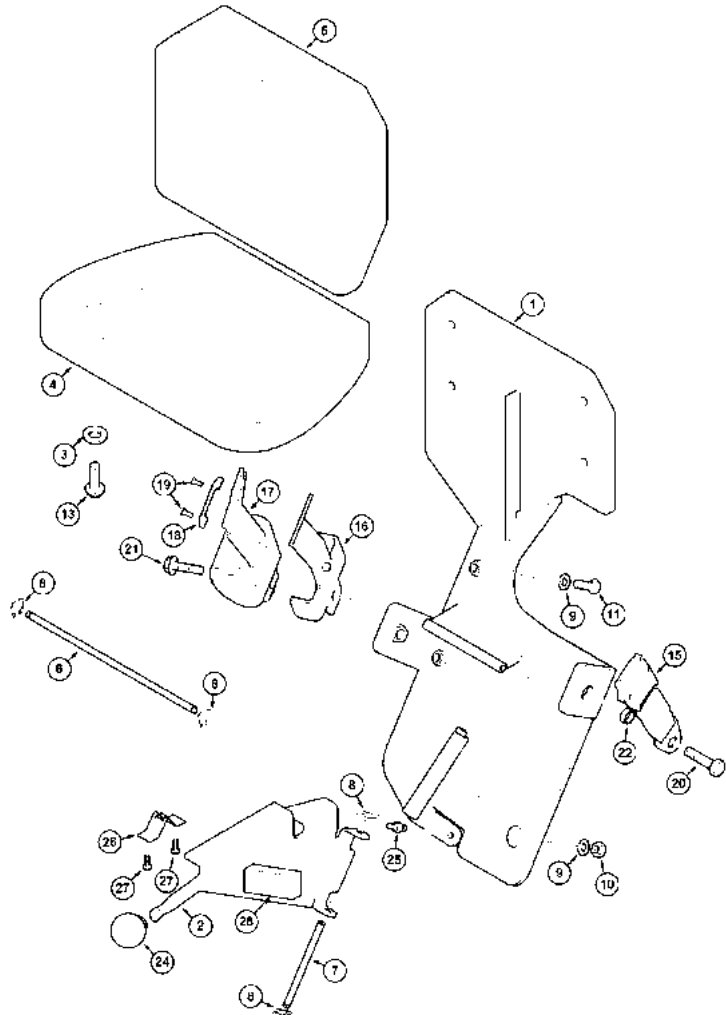
9 - Chassis / Attachments

9 -
119

SEAT CO-WORKER - Optional

XTX Series XTX185, XTX200, XTX215 (2005-2007)

9119



13/32 x 1-1/4 x 3/32

If So Equipped

M8; 10

6 mm

Includes: 17

325 mm

Consists Of: 15 - 23

M10 x 20

M8 x 50; 8,8

M4 x 12; 4,8

7/16 x 1-1/2

7/16 x 35 mm

Includes: 3,13

112 mm

2.9 x 12 mm

80 mm

NOT ILLUSTRATED

A

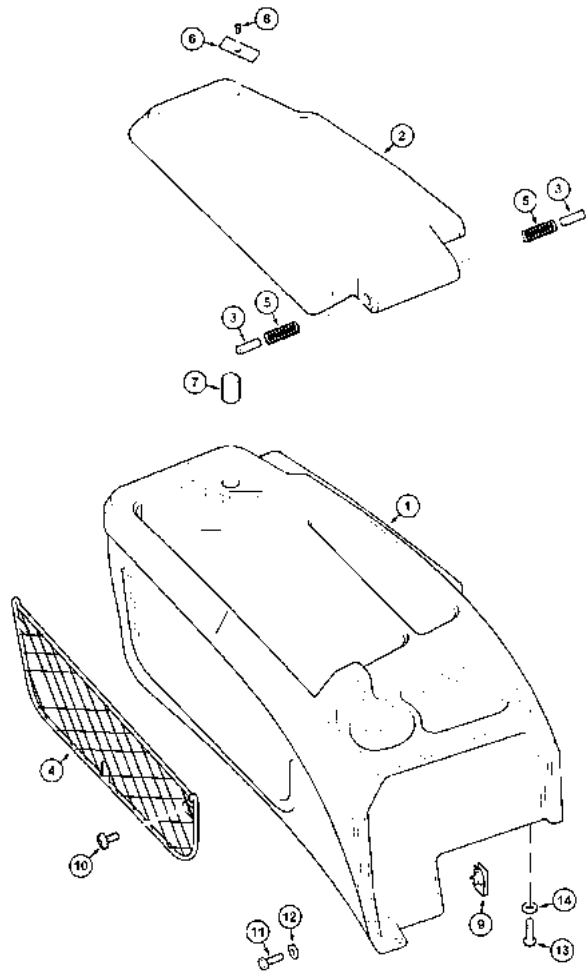
9 - Chassis / Attachments

9 -
121

STORAGE BOX - Optional

XTX Series XTX185, XTX200, XTX215 (2005-2007)

9121



- | | | | |
|----|-----------|---|--------------|
| 1 | 708994A2 | 1 | Box, Storage |
| 2 | 708993A2 | 1 | Cover |
| 3 | 708992A1 | 2 | DOWEL |
| 4 | 708991A1 | 1 | Net |
| 5 | 710040A1 | 2 | Spring |
| 6 | 710063A1 | 1 | Plate |
| 7 | 710062A1 | 1 | Pin Assy |
| 8 | 270-2438 | 1 | Screw |
| 9 | 833-40306 | 2 | NUT |
| 10 | 710315A1 | 3 | Screw |
| 11 | 614-6016 | 2 | BOLT |
| 12 | 895-15006 | 2 | WASHER |
| 13 | 614-8020 | 2 | SCREW |
| 14 | 895-15008 | 2 | WASHER |
| 15 | 710316A4 | 1 | OVERLAY |

M8 x 20; 8,8

M6 x 16; 8,8

M6

9 x 20 x 1,6 mm

6,6 x 25 x 1,6 mm

MAGNETIC

Storage

Includes: 2 - 10

M6 x 16; 10,9

See Page(s): 9-69

10 x 30mm

22 x 34mm

NOT ILLUSTRATED

A

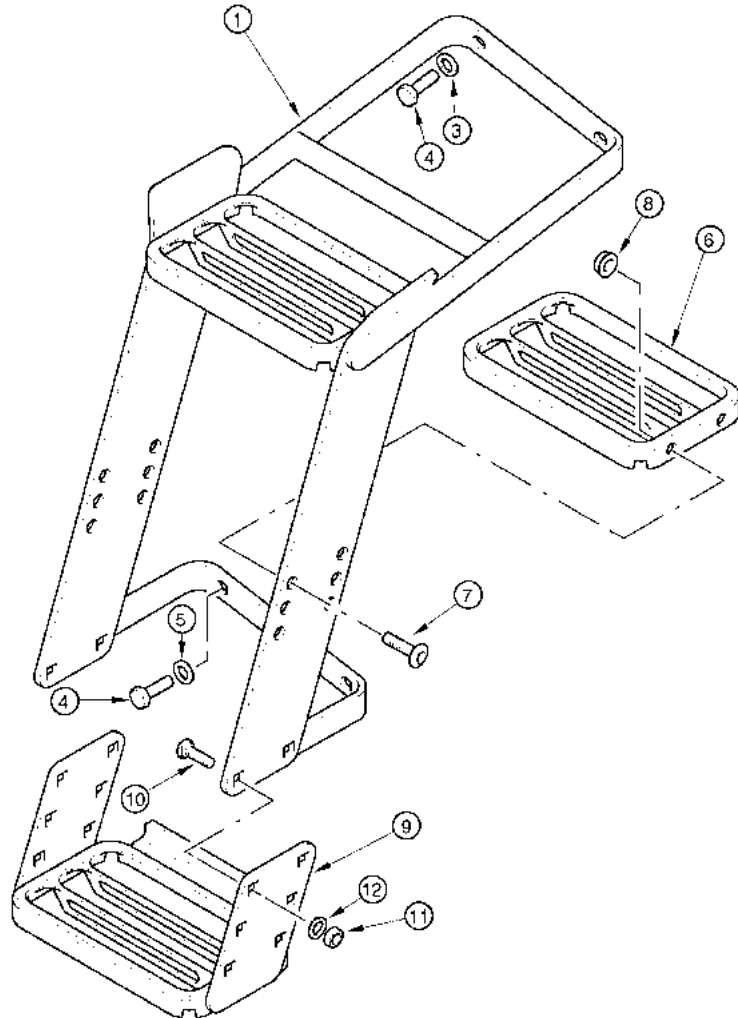
9 - Chassis / Attachments

9 -
123

STEPS - Right

XTX Series XTX185, XTX200, XTX215 (2005-2007)

9123



- | | | | | |
|----|-----------|-----------------|---|-----------|
| 1 | 236860A5 | | 1 | STAIR |
| 3 | 895-15010 | | 2 | WASHER |
| 4 | 627-10030 | ● 3001429X1 (4) | 4 | BOLT |
| 5 | 895-15010 | | 2 | WASHER |
| 6 | 1531337C1 | | 1 | STAIR |
| 7 | 259567A1 | | 4 | BOLT |
| 8 | 825-5148 | | 4 | NUT |
| 9 | 223760A3 | | 1 | Step Assy |
| 10 | 811-10030 | | 4 | BOLT |
| 11 | 829-1410 | | 4 | NUT |
| 12 | 895-15010 | | 4 | WASHER |

Upper

LOWER

M8; 8

M10 x 30; 8,8

M10; 10

11 x 24 x 2 mm

M10 x 30; 10,9

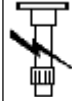
M8 x 20;10,9

9 - Chassis / Attachments

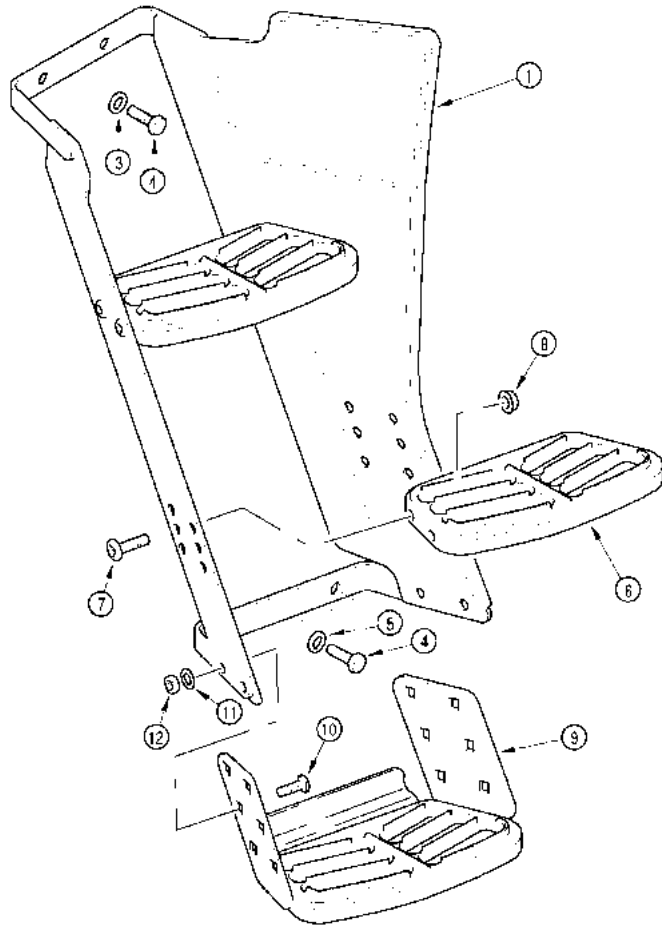
9 -
125

STEPS - Left

XTX Series XTX185, XTX200, XTX215 (2005-2007)



9125



- | | | | | |
|----|-----------|-----------------|---|--------|
| 1 | 375044A1 | | 1 | STAIR |
| 1 | 375045A1 | | 1 | STEP |
| 3 | 895-15010 | | 2 | WASHER |
| 4 | 627-10030 | ● 3001429X1 (4) | 4 | BOLT |
| 5 | 895-15010 | | 2 | WASHER |
| 6 | 193580A1 | ● 3688134M1 (1) | 1 | STAIR |
| 7 | 259567A1 | | 4 | BOLT |
| 8 | 825-5148 | | 4 | NUT |
| 9 | 280340A1 | | 1 | STAIR |
| 10 | 811-10030 | | 4 | BOLT |
| 11 | 895-15010 | | 4 | WASHER |
| 12 | 829-1410 | | 4 | NUT |

Upper

LOWER

M8; 8

M10 x 30; 8,8

Europe Only

N.A. Only

M10; 10

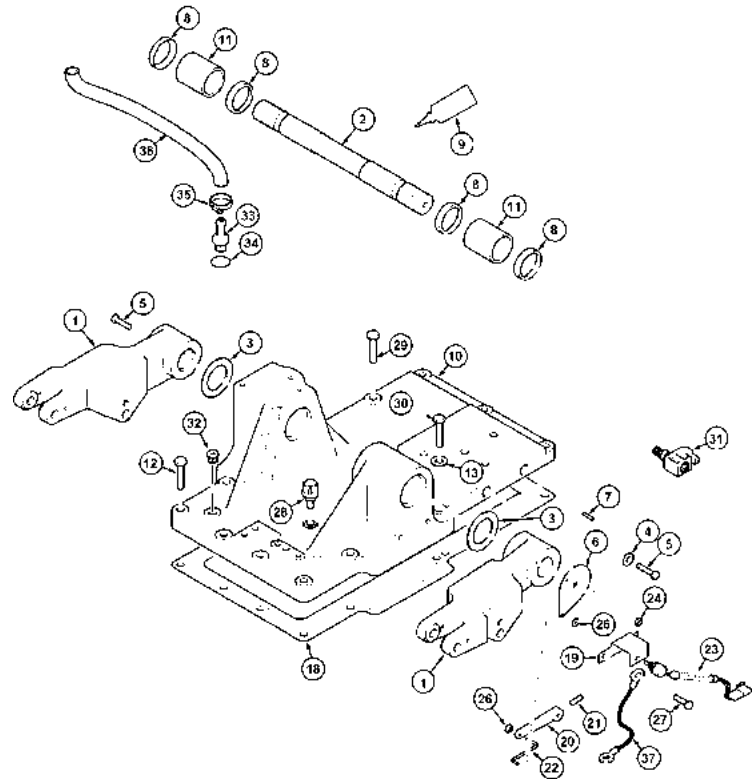
11 x 24 x 2 mm

M10 x 30; 10,9

M8 x 20;10,9

XTX Series XTX185, XTX200, XTX215 (2005-2007)

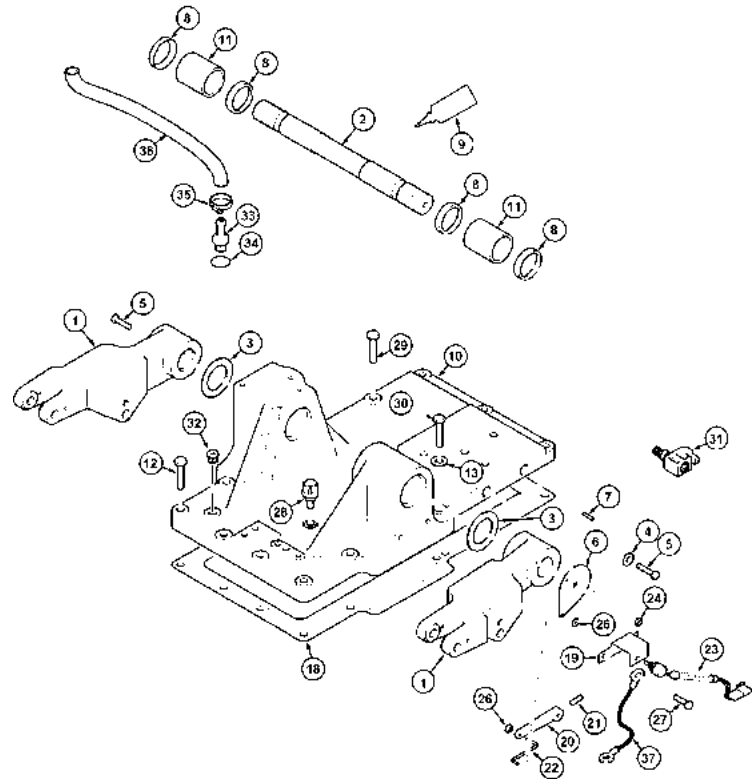
9127



- | | | | | |
|----|-----------|--------------------------------|---|------------|
| 1 | 239188A2 | | 1 | ARM |
| 1 | 239189A2 | | 1 | ARM |
| 2 | 239190A1 | | 1 | ROCKERARM |
| 3 | 229937A1 | | 2 | SPRAG |
| 4 | 388574R1 | | 1 | WASHER |
| 5 | 628-16035 | | 2 | SCREW |
| 6 | 244373A1 | | 1 | LEVER |
| 7 | 838-3528 | | 1 | PIN |
| 8 | 1347918C1 | | 4 | GASKET |
| 9 | 132095A1 | ● 73340211 (0) | 0 | Lubricant |
| 10 | 709205A1 | | 1 | Cover |
| 11 | 1331849C1 | | 2 | INSERT |
| 12 | 828-16060 | | 2 | BOLT |
| 13 | 896-12020 | | 4 | WASHER |
| 18 | 305396A3 | | 1 | GASKET |
| 19 | 244371A2 | ● 244371A1 (1) | 1 | Bracket |
| 20 | 283471A1 | | 1 | LEVER |
| 21 | 878-2058 | | 1 | SCREW |
| 22 | 244374A1 | | 1 | ROD |
| 23 | 393795A1 | ● 192231A1 (1)
122756A3 (1) | 1 | POTENTIOME |

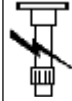
XTX Series XTX185, XTX200, XTX215 (2005-2007)

9127

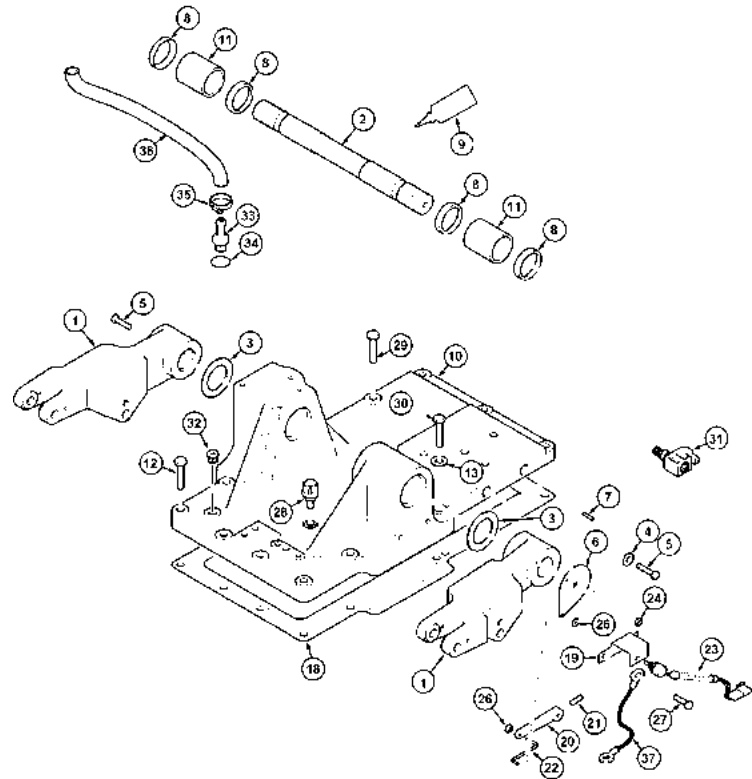


- | | | | | |
|----|-----------|-----------------|---|--------------|
| 24 | NSS | | 1 | Nut, Special |
| 26 | 96686C1 | | 2 | BUSH |
| 27 | 614-10020 | | 2 | BOLT |
| 28 | 711033A1 | M22x1.5 | 1 | GREASER |
| 29 | 828-16060 | | 4 | BOLT |
| 30 | 828-20080 | | 4 | BOLT |
| 31 | 349295A1 | | 1 | SOLENOID |
| 32 | 1345888C1 | ● 1345888C2 (1) | 1 | PLUG |
| 32 | 177120A1 | | 1 | PLUG |
| 33 | 230224A1 | | 1 | Fitting |
| 34 | 637-63153 | | 1 | RING |
| 35 | 214-1506 | | 1 | CLAMP |
| 36 | 295563A3 | | 1 | HYDR HOSE |
| 37 | 712953A1 | | 1 | Cable |
| 38 | 706472A1 | | 1 | CRANKCASE |

XTX Series XTX185, XTX200, XTX215 (2005-2007)



9127



- Left
- Right
- M10 x 20; 8,8
- 1/4 in
- With Creep Speed
- Includes: 24
- 5 x 28 mm
- 22 x 37 x 4 mm
- 8 mm
- M16 x 35; 10,9
- M5 x 8
- Spectrol UK
- 15,3 ID x 2,2 mm
- 2 MM
- M16 x 60; 10,9
- M20 x 80; 10,9
- 14
- 240 mm
- Hitch Potentiometer
- NOT ILLUSTRATED

A

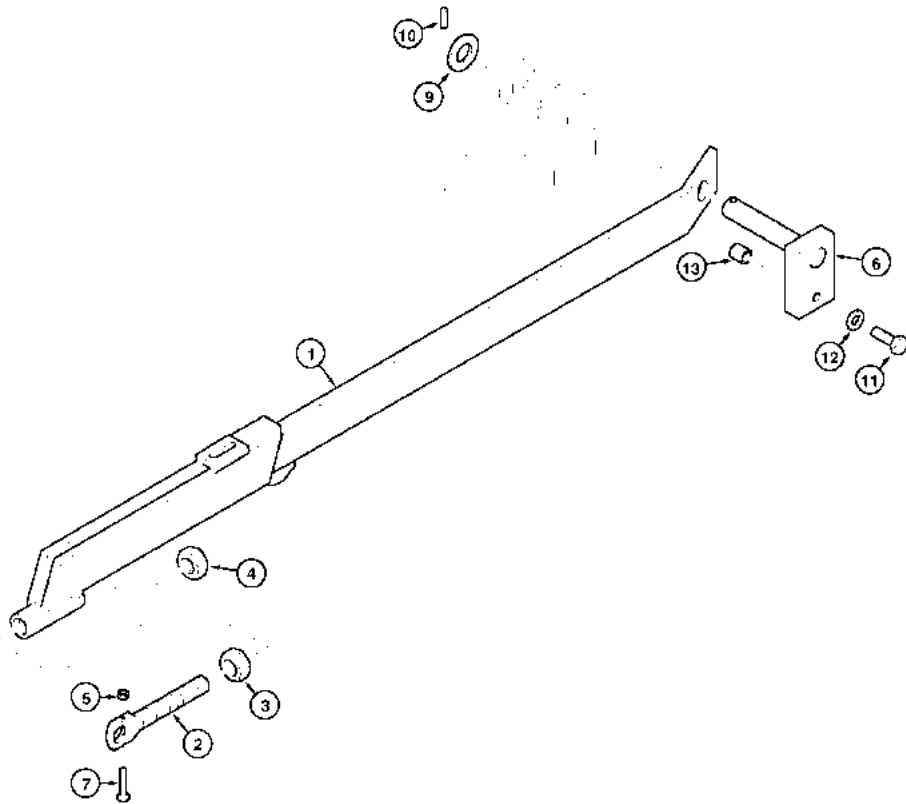
9 - Chassis / Attachments

9 -
129

AUTOMATIC HITCH - LIFT LINKS - Europe Only

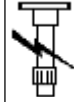
XTX Series XTX185, XTX200, XTX215 (2005-2007)

9129

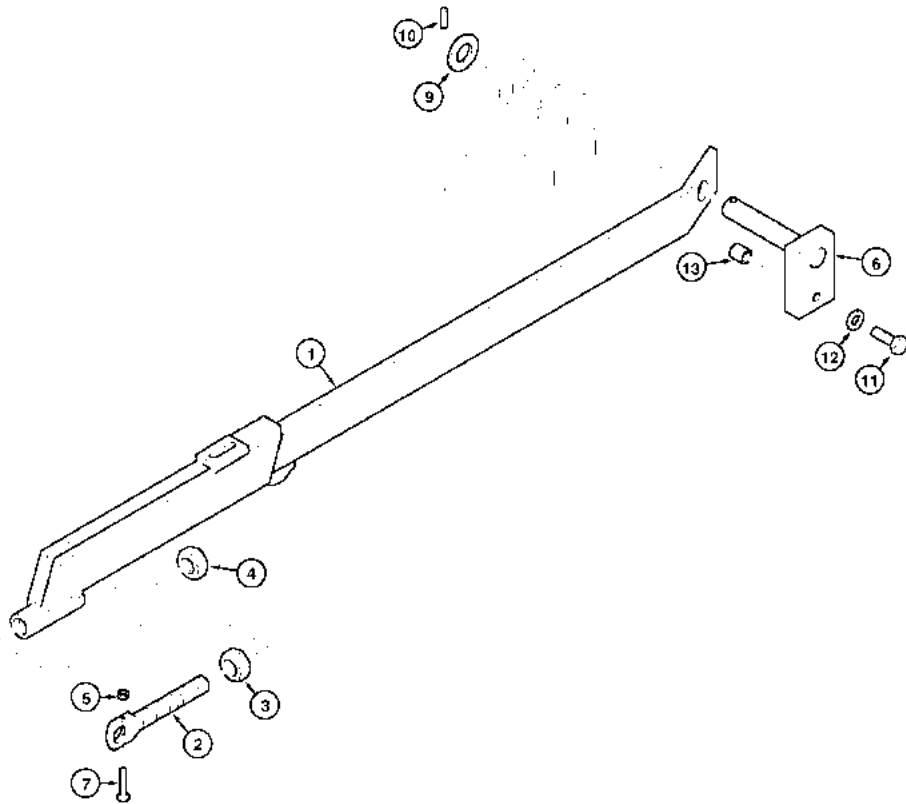


1	428815A1	1	Link Assy
1	428816A1	1	LINK
2	308285A1	1	ROD
3	829-4420	1	NUT
4	832-10420	1	NUT FNS
5	832-10406	2	NUT FNS
	● 1441500X1 (2)		
6	308277A1	2	Pin
7	843-1650	2	SCREW
9	895-30105	2	LOCK WASHER
10	838-51050	2	PIN
11	627-12030	2	SCREW
12	896-11012	2	WASHER
	● 3667437M1 (2)		

XTX Series XTX185, XTX200, XTX215 (2005-2007)



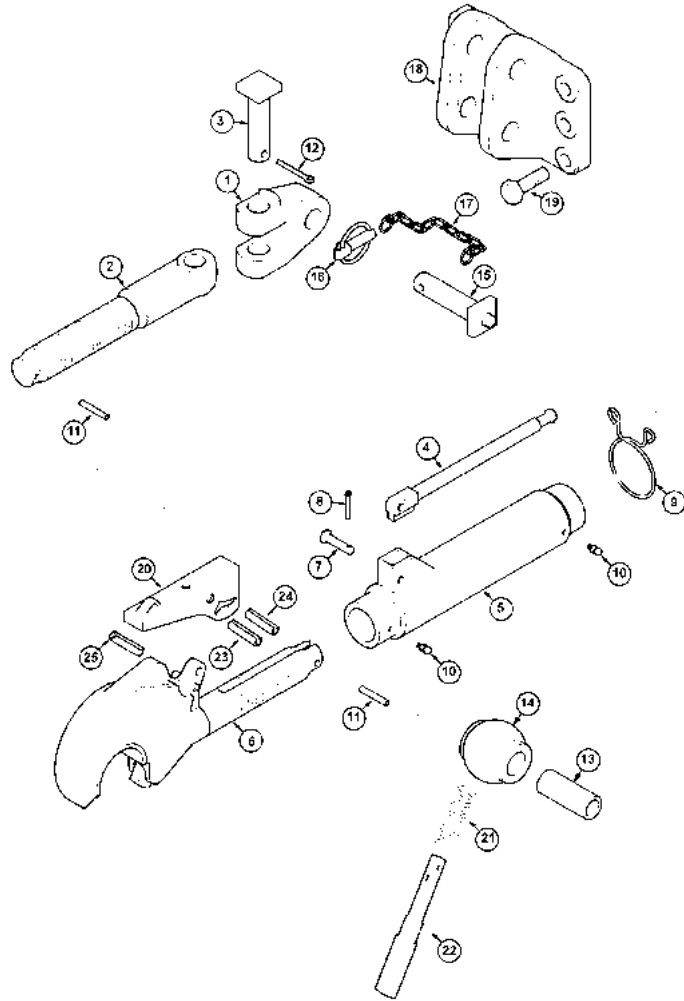
9129



- 13 1965670C2 ● 3687792M2 (2) 2 DRIVING
- Left
- Right
- M6; 8
- Lift
- M12 x 30; 10.9
- M20
- 13.5 mm
- Includes: 2 - 4
- 10 x 50 mm
- Trima
- M20 x 2,5
- M6 x 50; 4,8
- 30 x 50 x 2.5 mm

XTX Series XTX185, XTX200, XTX215 (2005-2007)

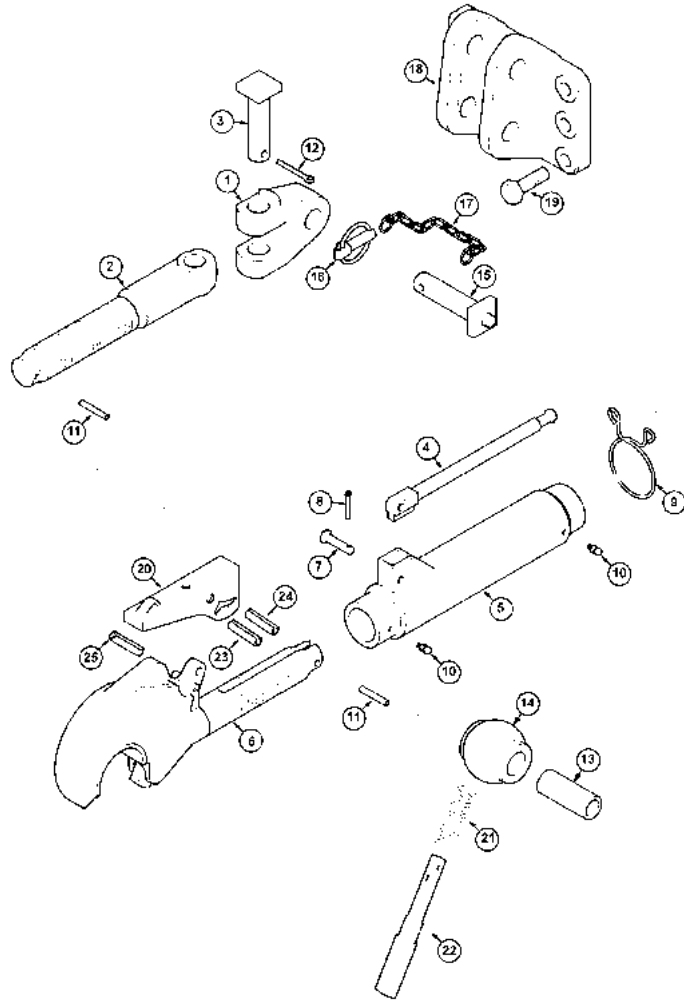
9131



- | | | | | | |
|----|-----------|---|----------------|---|-------------|
| 1 | 236625A1 | ● | 4218325M1 (1) | 1 | YOKE |
| 1 | 428810A1 | | | 1 | LINK |
| 2 | 236624A1 | | | 1 | ROD |
| 3 | 236626A1 | ● | 4218328M1 (1) | 1 | PIN |
| 4 | 1331863C2 | | | 1 | HANDLE |
| 5 | 436803A1 | | | 1 | CYLINDER |
| 6 | 238027A1 | ● | 4218326M91 (1) | 1 | HOOK |
| 7 | 427-6200 | | | 1 | PIN |
| 8 | 432-612 | | | 1 | LINCH PIN |
| 9 | 315912A1 | ● | 4218329M1 (1) | 1 | SPRING |
| 10 | 219-14 | | | 2 | GREASE |
| 11 | 838-3636 | | | 2 | PIN |
| 12 | 733-5050 | ● | 1442974X1 (1) | 1 | Pin, Cotter |
| 13 | 398406R1 | | | 1 | BUSH |
| 14 | 359188A2 | ● | 3300276M1 (1) | 1 | BALL |
| 15 | 179885A1 | | | 1 | TRUNNION |
| 16 | 179891A1 | ● | 3658049M1 (1) | 1 | TRACK |
| 17 | 1982154C2 | | | 1 | Chain |

XTX Series XTX185, XTX200, XTX215 (2005-2007)

9131



- | | | | | |
|----|-----------|-----------------|---|------------|
| 18 | 230522A1 | | 1 | BRACE |
| 19 | 828-20065 | | 6 | SCREW |
| 20 | 118708A1 | | 1 | LEVER |
| 21 | 118705A1 | | 1 | SPRING |
| 22 | 118707A1 | | 1 | CLEVIS PIN |
| 23 | 838-5624 | ● 1441741X1 (1) | 1 | DOWEL |
| 24 | 738-5524 | | 1 | Pin, Roll |
| 25 | 838-5620 | | 1 | Pin |

1/4 in

Includes: 17

3/32 x 3/4

6 x 26 mm

6 x 20 mm

Link

5 x 24 mm

6 x 24 mm

5 x 50 mm

2 Step

32 ID/60 OD

Consists Of: 236625A1,2 - 12

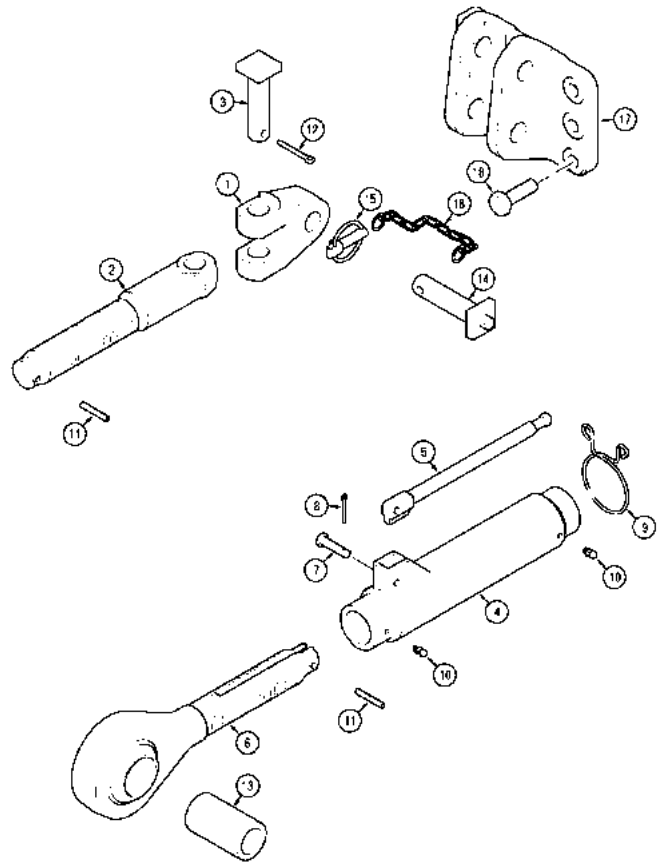
3/8 x 2.000

M20 x 65; 10.9

Includes: 20 - 25

XTX Series XTX185, XTX200, XTX215 (2005-2007)

9133



- | | | | | | |
|----|-----------|---|---------------|---|-------------|
| 1 | 236625A1 | ● | 4218325M1 (1) | 1 | YOKE |
| 1 | 428809A1 | | | 1 | LINK |
| 2 | 236624A1 | | | 1 | ROD |
| 3 | 236626A1 | ● | 4218328M1 (1) | 1 | PIN |
| 4 | 436803A1 | | | 1 | CYLINDER |
| 5 | 1331863C2 | | | 1 | HANDLE |
| 6 | 1282063C2 | | | 1 | Screw Assy |
| 7 | 427-6200 | | | 1 | PIN |
| 8 | 432-612 | | | 1 | LINCH PIN |
| 9 | 315912A1 | ● | 4218329M1 (1) | 1 | SPRING |
| 10 | 219-14 | | | 2 | GREASE |
| 11 | 838-3638 | | | 2 | Pin |
| 12 | 733-5050 | ● | 1442974X1 (1) | 1 | Pin, Cotter |
| 13 | 398406R1 | | | 1 | BUSH |
| 14 | 1286840C7 | | | 1 | CLEVIS PIN |
| 15 | 179891A1 | ● | 3658049M1 (1) | 1 | TRACK |
| 16 | 1982154C2 | | | 1 | Chain |
| 17 | 228475A1 | | | 1 | BRACE |
| 18 | 828-20065 | | | 6 | SCREW |

1/4 in

Includes: 16

3/32 x 3/4

Link

5 x 50 mm

Consists Of: 236625A1,2 - 12

3/8 x 2.000

M20 x 65; 10.9

6 x 38 mm

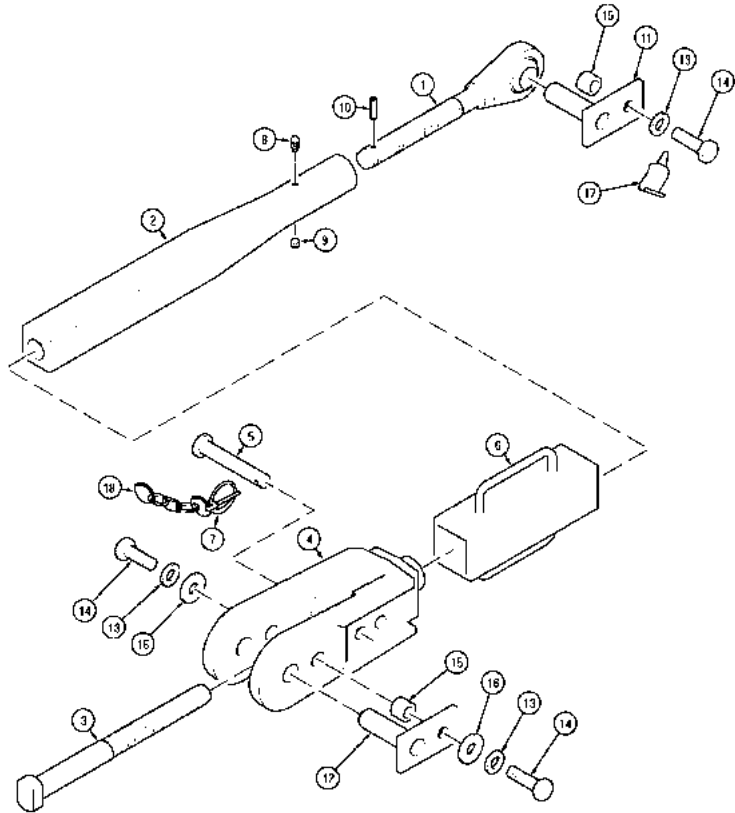
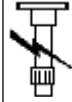
9 - Chassis / Attachments

9 -
135

HITCH LOWER LIFT LINKS - Telescopic

XTX Series XTX185, XTX200, XTX215 (2005-2007)

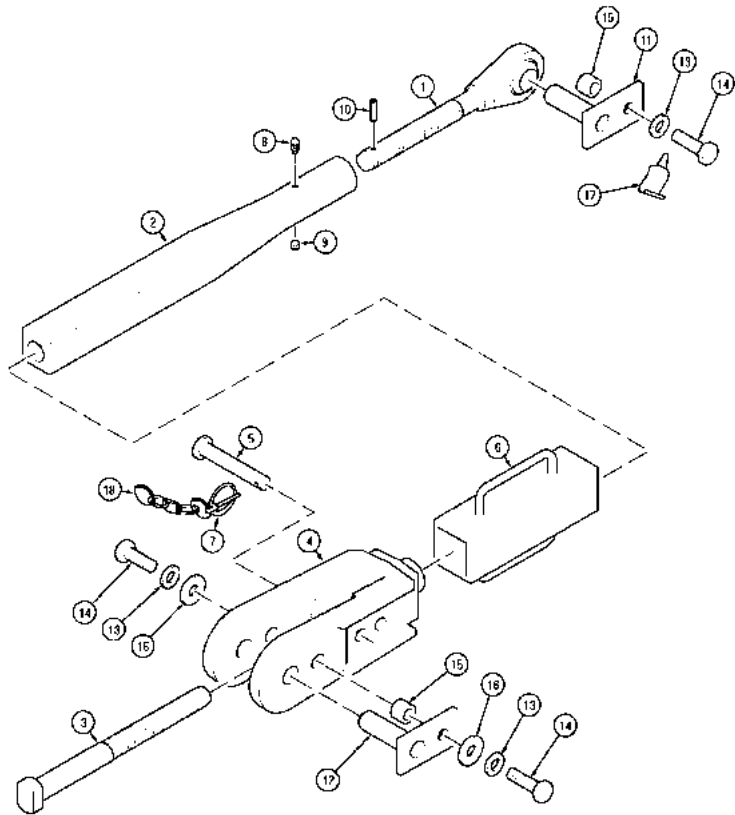
9135



- | | | | | |
|----|-----------|-----------------|---|------------|
| 1 | 237735A1 | | 1 | SCREW |
| 1 | 428808A1 | | 2 | LINK |
| 1 | 428813A1 | | 2 | LINK |
| 2 | 436800A1 | | 1 | SUPPORT |
| 3 | 149838C1 | | 1 | ROD |
| 4 | 436801A1 | | 1 | CLEVIS |
| 4 | 436804A1 | | 1 | CLEVIS |
| 5 | 39-51260 | | 1 | PIN |
| 6 | 436802A1 | | 1 | HANDLE |
| 7 | 325663A1 | | 1 | DOWEL |
| 7 | 325664A1 | | 1 | Pin Assy |
| 8 | 1974039C1 | ● 3658052M1 (1) | 1 | GREASER |
| 9 | 1965426C1 | | 1 | PLUG |
| 10 | 838-1536 | | 1 | Pin |
| 11 | 336714A1 | ● 336714A2 (2) | 2 | CLEVIS PIN |
| 12 | 336714A1 | ● 336714A2 (2) | 2 | CLEVIS PIN |
| 13 | 896-15012 | | 4 | WASHER |
| 14 | 627-12030 | | 4 | SCREW |

XTX Series XTX185, XTX200, XTX215 (2005-2007)

9135



- | | | | | | |
|----|-----------|---|---------------|---|----------|
| 15 | 1965670C2 | ● | 3687792M2 (4) | 4 | DRIVING |
| 16 | 496-11081 | | | 2 | WASHER |
| 17 | 345-49 | | | 0 | ADHESIVE |
| 18 | 339615A1 | | | 1 | Chain |

N.A. Only

M12 x 30; 10.9

1 ml

13/16 x 1-1/2 x 9/64

13,5 x 28 x 4 mm

5 x 36 mm

Consists Of: 237735A1,2 - 10,18

3/4 x 3-3/4

Consists Of: 325663A1,18

A

NOT ILLUSTRATED

H

NARROW

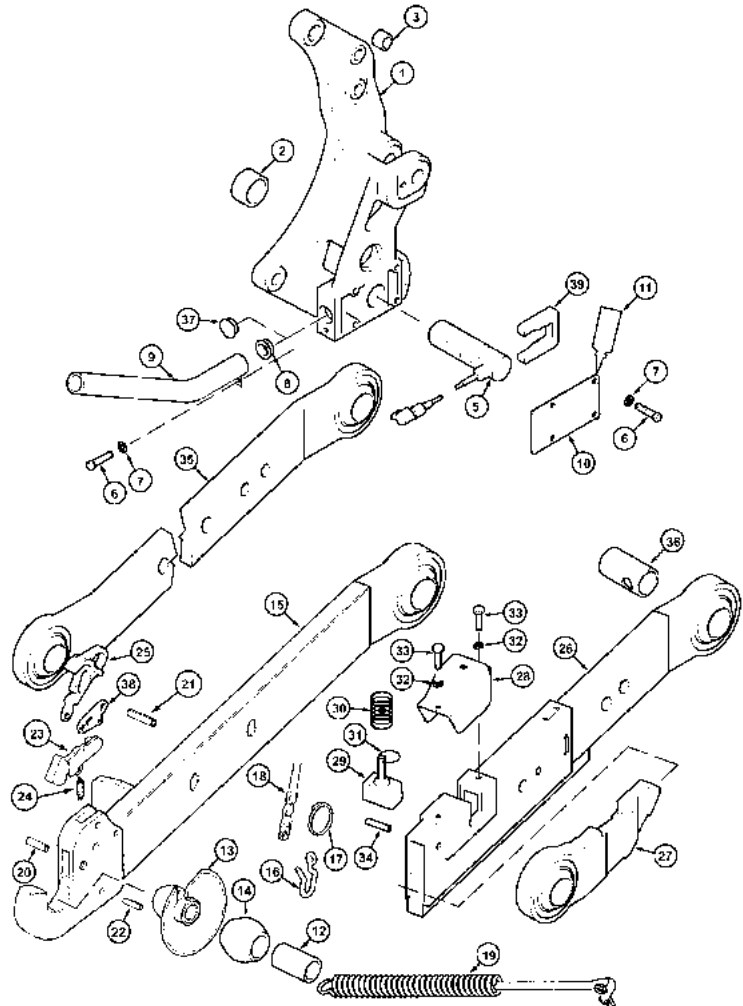
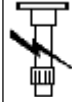
9 - Chassis / Attachments

9 -
137

HITCH LOWER LIFT LINKS - Category

XTX Series XTX185, XTX200, XTX215 (2005-2007)

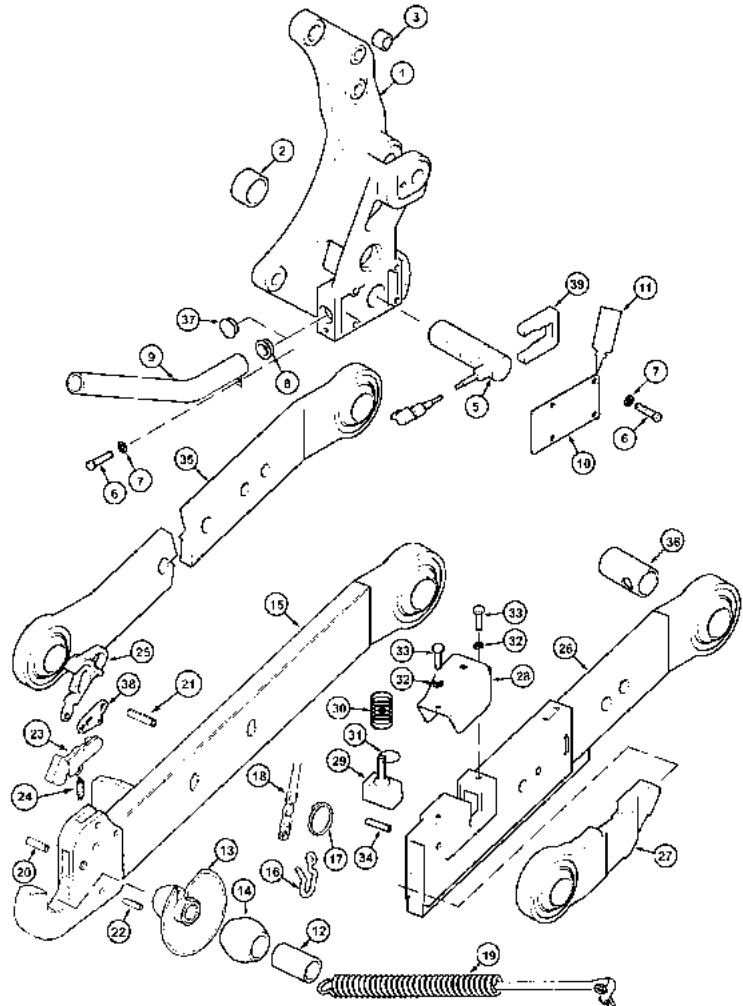
9137



1	234000A3		1	BRACE
1	234001A3		1	BRACE
2	1960223C1		1	BUSH
3	1331722C1		1	Pin, Dowel
5	403057A2	● N.L.S. (2)	2	PIN
6	614-10020		10	BOLT
7	895-18010	● 003555011250 (10)	10	WASHER
8	1960765C2		2	WALKWAY
9	428814A1	● 248823A2 (2)	2	PIPE
10	240782A1	● 4214645M2 (2)	2	PLATE
11	345-73		4	LOCTITE
12	392004R1		2	DRIVING
13	132123A1	● 3300275M91 (1)	1	BALL
13	381642A1		1	BALL

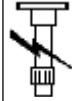
XTX Series XTX185, XTX200, XTX215 (2005-2007)

9137

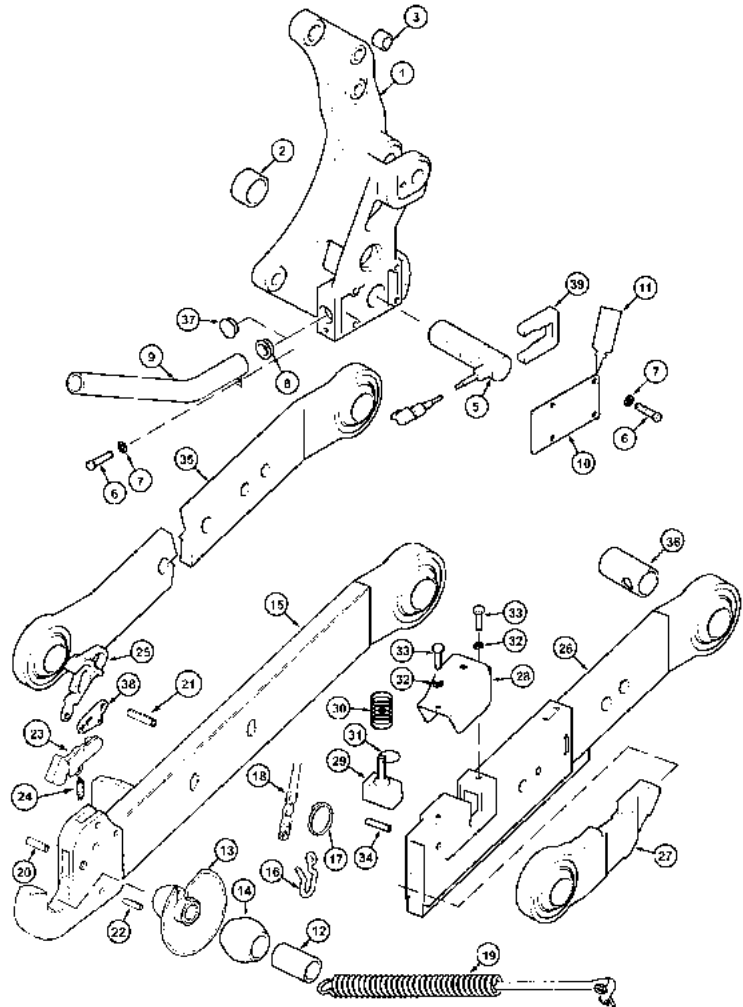


- | | | | | | |
|----|-----------|---|--|---|---------|
| 14 | 359188A2 | ● | 3300276M1 (1) | 1 | BALL |
| 14 | 359189A2 | | | 1 | BALL |
| 15 | 428811A1 | ● | 4216381M91 (1) | 1 | LINK |
| 15 | 428812A1 | ● | 4216380M91 (1) | 1 | LINK |
| 16 | 255784A1 | | | 1 | CLIP |
| 17 | 1534796C1 | | | 4 | RING |
| 18 | 1534793C1 | | | 1 | ROPE |
| 18 | 1534794C1 | | | 1 | ROPE |
| 19 | 1252040C1 | ● | 189585A1 (1)
189586A1 (1)
189587A1 (1) | 1 | DRIVING |
| 19 | 189584A1 | ● | 189585A1 (1)
189586A1 (1)
189587A1 (1) | 1 | SPACER |
| 20 | 359049A1 | | | 1 | Pin |
| 20 | 370217A1 | | | 1 | KIT |

XTX Series XTX185, XTX200, XTX215 (2005-2007)



9137



- | | | | | |
|----|-----------|--------------|---|-----------|
| 20 | 370225A1 | | 1 | KIT |
| 20 | 738-51036 | | 2 | Pin, Roll |
| 20 | 738-51040 | ● N.L.A. (2) | 2 | Pin, Roll |

Left

Right

M10 x 20; 8,8

If So Equipped

Includes: 2,3

Optional

11 x 18 x 1,6 mm

CBM

1800 mm

1200 mm

CAT III

5 x 15 mm

Rod

10 x 36 mm

32 ID/60 OD

Conversion

Category: III - II

28,4 ID/64 OD

Category III

Consists Of: 738-51040,838-3640

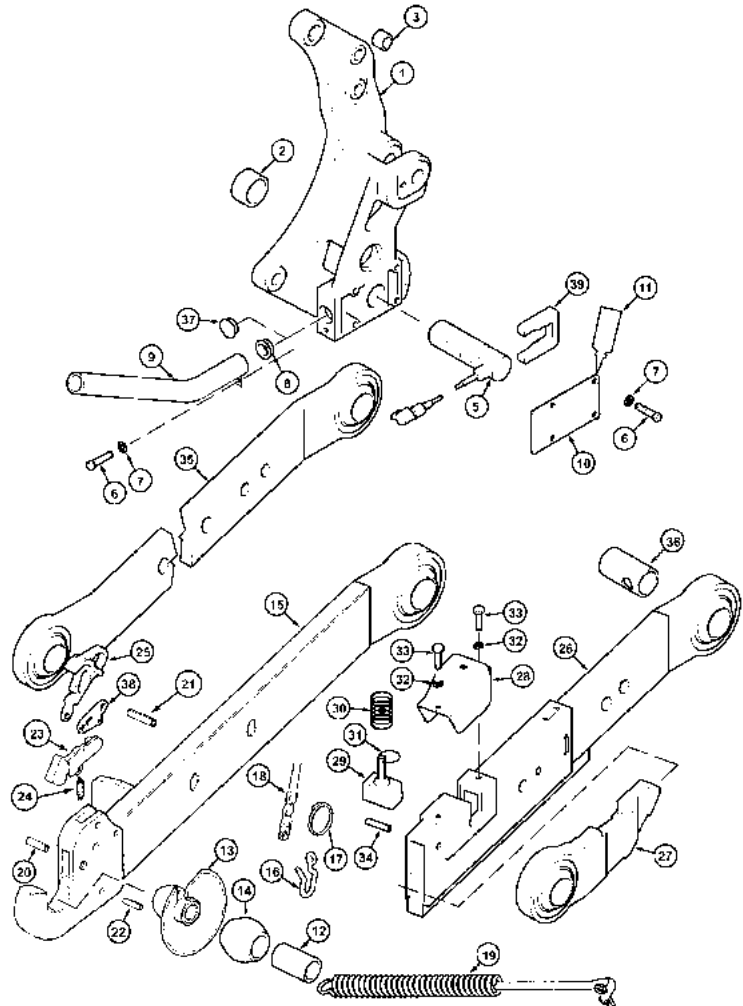
Consists Of: 738-51036,738-5636

CONTINUED

B

XTX Series XTX185, XTX200, XTX215 (2005-2007)

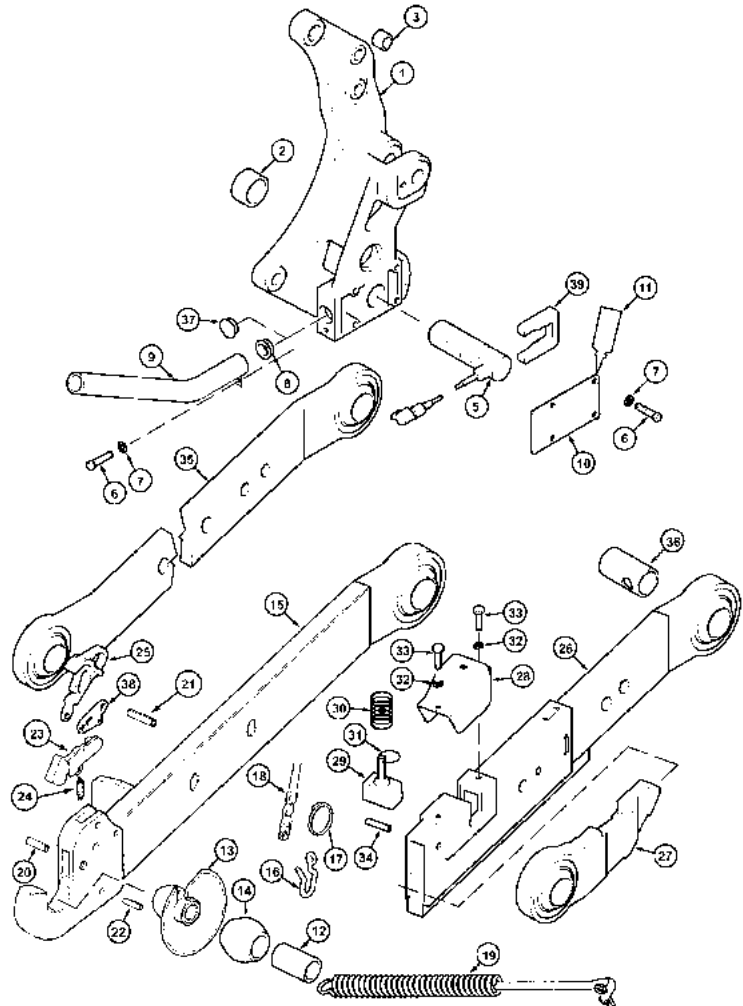
9139



- | | | | |
|----|----------|------------------|-------------|
| 21 | 370030A1 | ● 3657072M91 (1) | 1 KIT |
| 21 | 370031A1 | | 1 KIT |
| 22 | 738-5636 | | 4 Pin, Roll |
| 22 | 838-3640 | | 4 PIN |
| 22 | 838-3640 | | 1 PIN |
| 23 | 357750A1 | | 1 LATCH |
| 23 | 359044A1 | | 1 HANDLE |
| 24 | 357749A1 | | 1 SPRING |
| 25 | 357748A1 | | 1 LEVER |
| 26 | 236631A1 | | 1 Link |
| 26 | 236632A1 | | 1 Link |
| 27 | 236633A1 | | 1 Link |

XTX Series XTX185, XTX200, XTX215 (2005-2007)

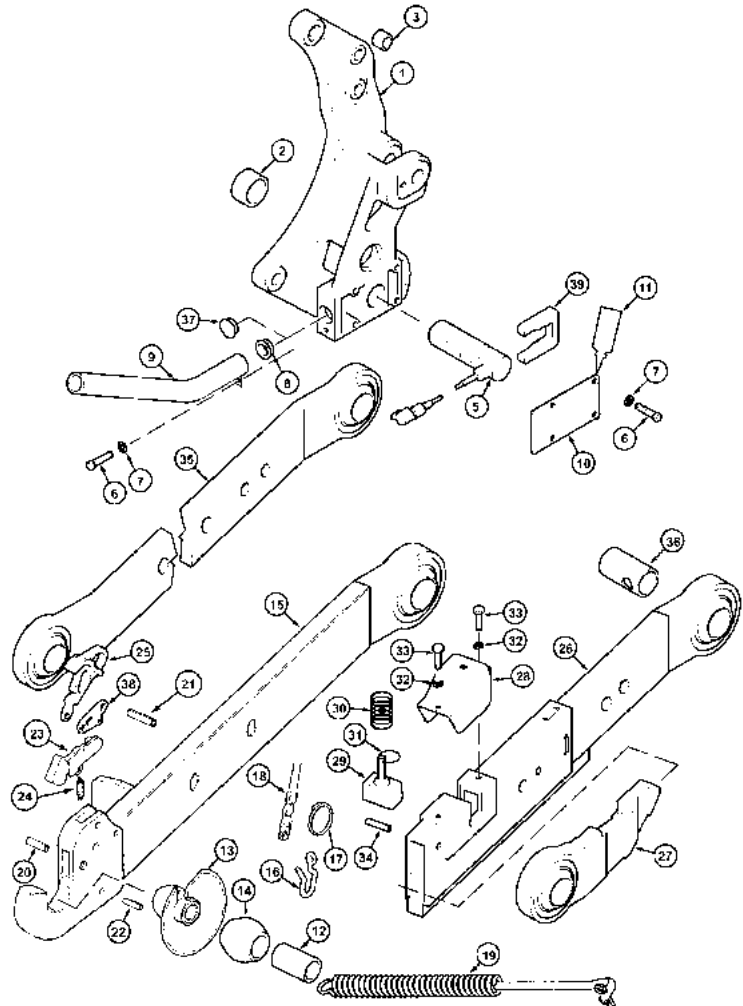
9139



27	236634A1	1	Link
28	258767A1	1	Cover
28	304885A1	1	Cover Assy
29	258766A1	1	Pin Assy
30	113774A1	1	Spring
31	1965556C1	1	RING
32	895-11008	2	WASHER
33	628-8020	2	SCREW
34	838-31260	1	Pin
35	241028A1	2	Link Assy
36	392004R1	2	DRIVING
37	933573R1	2	PLUG
38	357751A1	1	PLATE
39	403058A3	2	PLATE

XTX Series XTX185, XTX200, XTX215 (2005-2007)

9139



9 x 17 x 1,6 mm

Left

Right

N.A. Only

6 x 40 mm

Without Draft Control

CAT II

32 mm

CAT III

M8 x 20; 10.9

6 x 36 mm

Includes: 357750A1,25,38

Includes: 359044A1,25,38

Consists Of: 258767A1,29 - 31

12 x 60

Category: II, III, IIIN

FRONT

REAR

D
Y

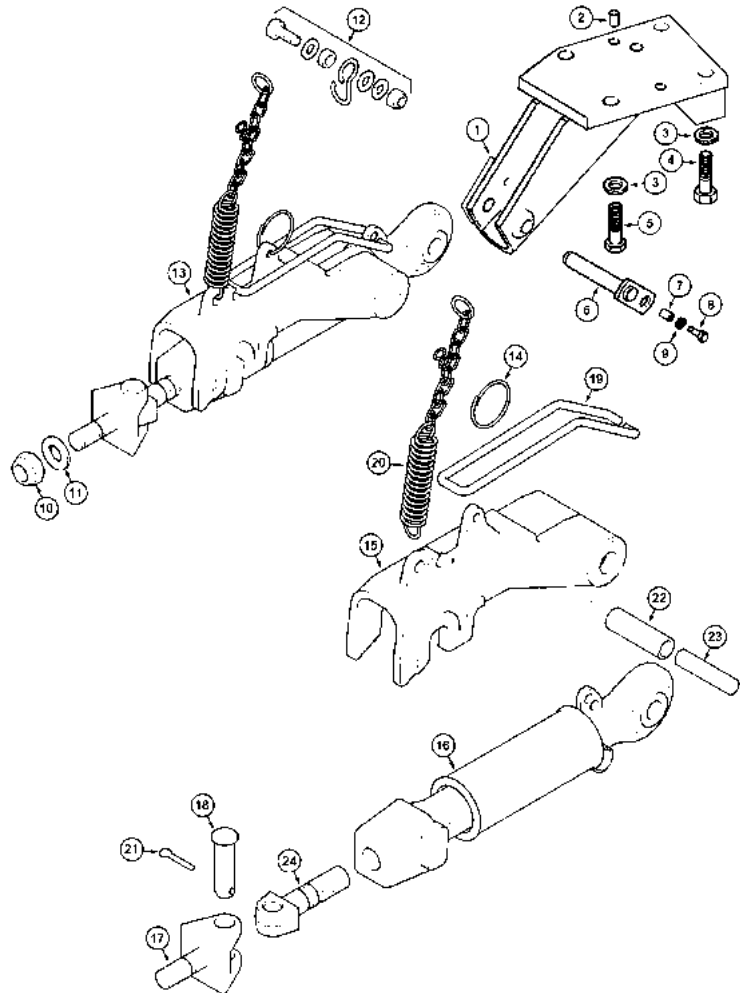
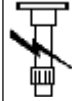
9 - Chassis / Attachments

9 -
143

HITCH AUTOMATIC STABILIZER - Europe Only

XTX Series XTX185, XTX200, XTX215 (2005-2007)

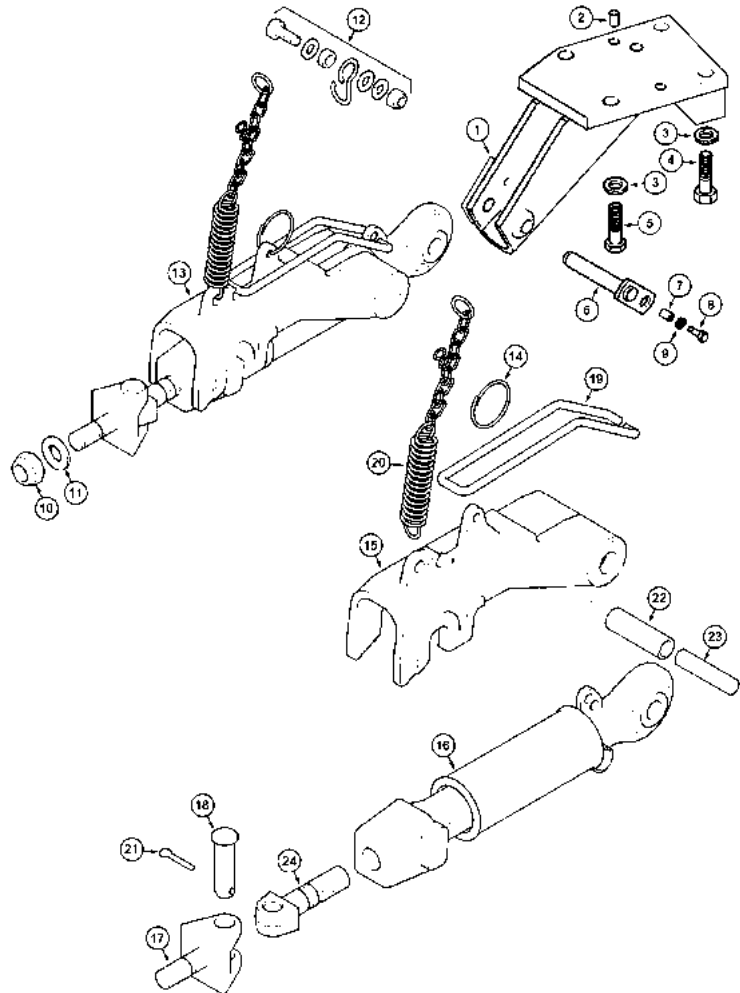
9143



1	252876A1		1	SUPPORT
1	280298A1	● 280298A2 (1)	1	SUPPORT
2	NSS		2	Pin
3	896-12020		4	WASHER
4	828-20120		2	SCREW
5	628-20060		2	BOLT
6	1533173C1	● 3689324M1 (1)	1	CLEVIS PIN
7	1533065C1		1	DRIVING
8	614-8022		1	BOLT
9	933615R1		1	WASHER
10	832-46427		1	NUT
11	896-11027		1	WASHER
12	193151A1		1	HOOK
13	711362A1		1	STABILISER
14	TBA		1	Ring

XTX Series XTX185, XTX200, XTX215 (2005-2007)

9143



- | | | | | | |
|----|------------|---|--------------|---|------------|
| 15 | 714010A1 | ● | 714010A2 (1) | 1 | COVER |
| 16 | 6518342M91 | ● | 714011A1 (1) | 1 | STABILISER |
| 17 | 6518341M1 | ● | 304880A2 (1) | 1 | YOKE |
| 18 | 3670063M1 | | | 1 | CLEVIS PIN |
| 19 | 714014A1 | | | 1 | LATCH |
| 20 | 251742A1 | | | 1 | CHAIN |
| 21 | 733-5032 | | | 1 | PIN,SPLIT |
| 22 | 714015A1 | | | 1 | PIN |
| 23 | 714016A1 | | | 1 | PIN |
| 24 | 6518343M1 | | | 1 | TIE ROD |

Left

Right

Includes: 2

M8 x 22; 8,8

22 x 37 x 4 mm

8 mm

M27

12 x 25 mm

M20 x 60; 10,9

Consists Of: 14 - 24

29 x 50 x 5mm

M20 x 120; 10.9

NOT ILLUSTRATED

A

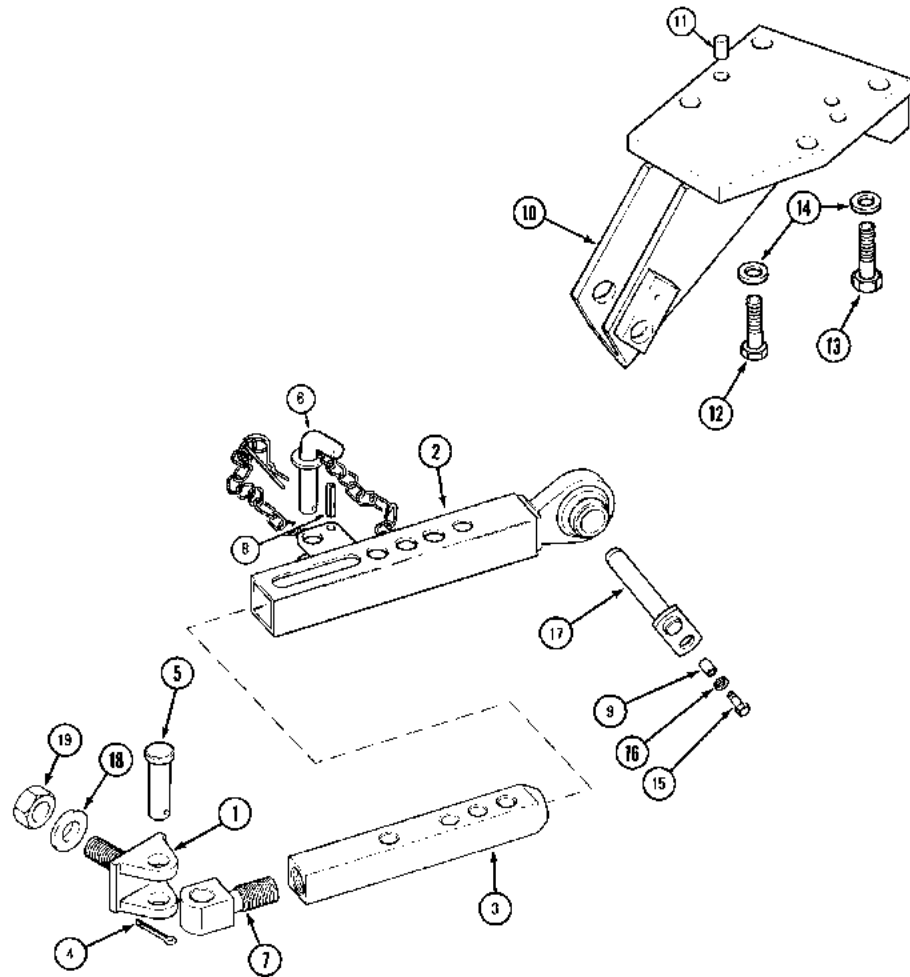
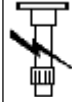
9 - Chassis / Attachments

9 -
145

STABILIZER - TELESCOPIC - Europe Only

XTX Series XTX185, XTX200, XTX215 (2005-2007)

9145



- | | | | | |
|----|-----------|------------------|---|------------|
| 1 | 304880A2 | | 1 | CLEVIS |
| 1 | 428805A1 | ● 3686533M92 (2) | 2 | STABILISER |
| 2 | 436799A1 | | 1 | TENSIONER |
| 3 | 304881A1 | | 1 | SHAFT |
| 4 | 732-5032 | | 1 | LINCH PIN |
| 5 | 1974345C1 | ● 3670063M1 (1) | 1 | CLEVIS PIN |
| 6 | 304884A1 | | 1 | PIN |
| 7 | 304883A1 | | 1 | BOLT |
| 8 | 838-3432 | | 1 | DOWEL |
| 9 | 1533065C1 | | 1 | DRIVING |
| 10 | 252876A1 | | 1 | SUPPORT |
| 10 | 280298A1 | ● 280298A2 (1) | 1 | SUPPORT |
| 11 | NSS | | 2 | Pin |
| 12 | 628-16060 | | 2 | BOLT |
| 13 | 828-20120 | | 2 | SCREW |
| 14 | 896-12020 | | 4 | WASHER |
| 15 | 614-8022 | | 1 | BOLT |

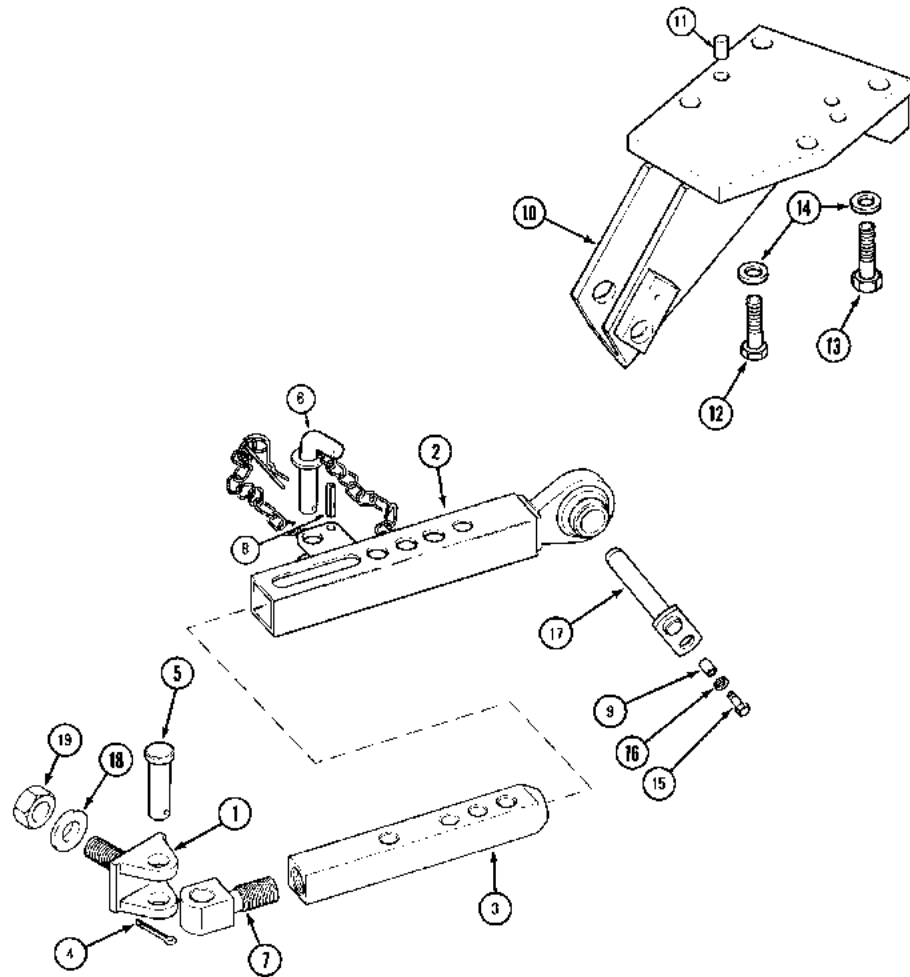
9 - Chassis / Attachments

9 -
145

STABILIZER - TELESCOPIC - Europe Only

XTX Series XTX185, XTX200, XTX215 (2005-2007)

9145



- 16 933615R1
- 17 1533173C1 ● 3689324M1 (1)
- 18 896-11027
- 19 832-46427

- 1 WASHER
- 1 CLEVIS PIN
- 1 WASHER
- 1 NUT

Left

Right

Includes: 11

M8 x 22; 8,8

22 x 37 x 4 mm

8 mm

M27

Telescopic

12 x 25 mm

M16 x 60; 10,9

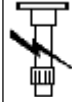
5 x 32 mm

29 x 50 x 5mm

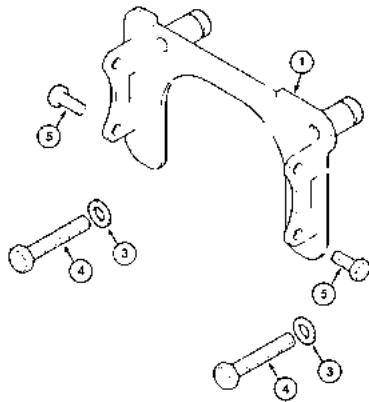
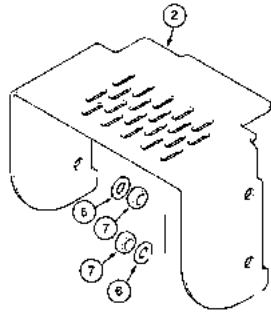
M20 x 120; 10.9

Consists Of: 304880A2,2 - 8

XTX Series XTX185, XTX200, XTX215 (2005-2007)



9147



- | | | | | |
|---|-----------|-----------------|---|--------|
| 1 | 710513A1 | | 1 | GUARD |
| 2 | 710514A1 | | 1 | GUARD |
| 3 | 896-12016 | | 2 | WASHER |
| 4 | 813-16200 | | 2 | BOLT |
| 5 | 614-12030 | | 4 | BOLT |
| 6 | 896-11012 | ● 3667437M1 (4) | 4 | WASHER |
| 7 | 829-1412 | | 4 | NUT |

17,5 x 30 x 4 mm

M12; 10

M16 x 200

13.5 mm

M12 x 30; 8,8

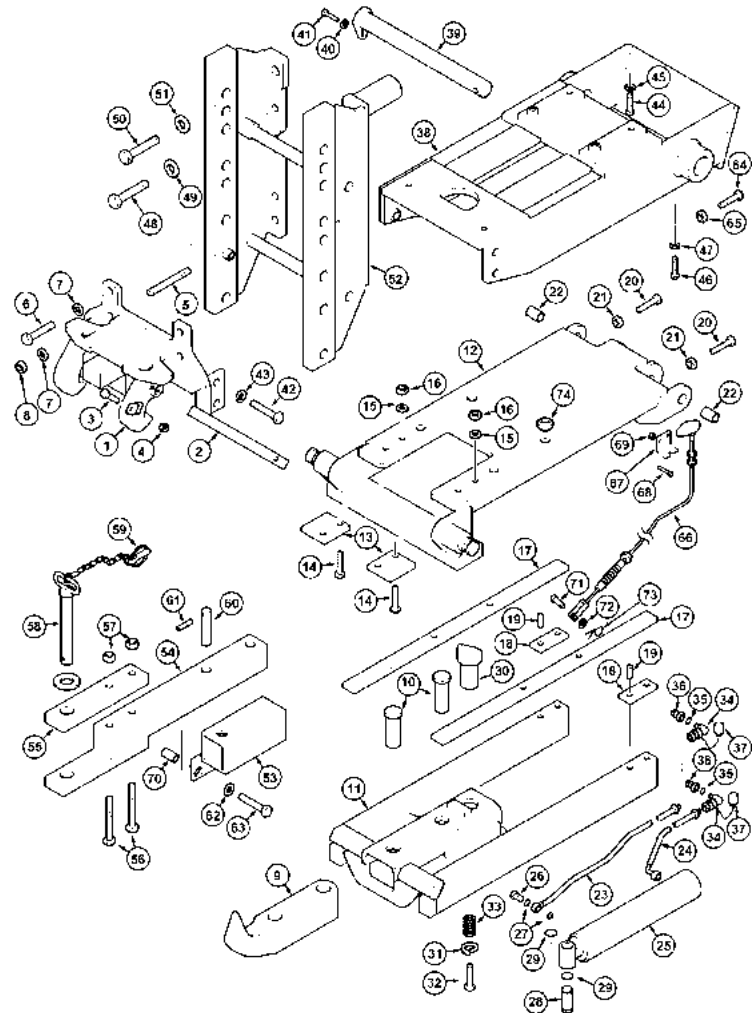
9 - Chassis / Attachments

9 -
149

AUTOMATIC HITCH - Europe Only

XTX Series XTX185, XTX200, XTX215 (2005-2007)

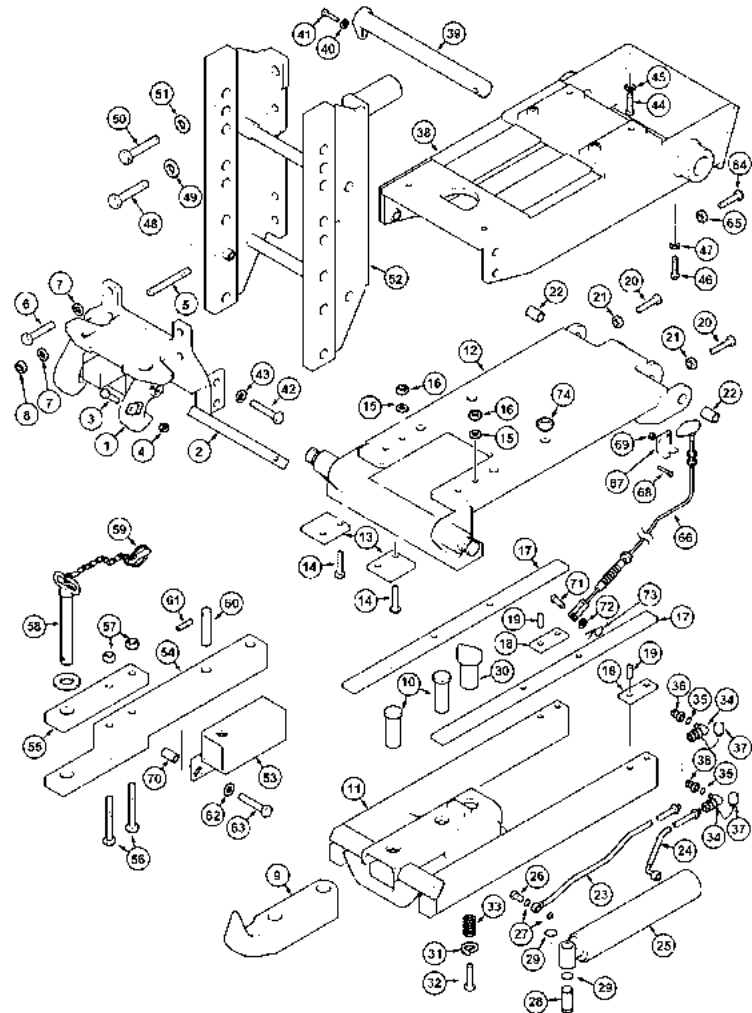
9149



- | | | | |
|----|-----------|---|------------|
| 1 | 294480A1 | 1 | FRAME |
| 2 | 282244A1 | 6 | Spring, To |
| 3 | 814-8045 | 1 | BOLT |
| 4 | 832-10408 | 1 | NUT FNS |
| 5 | 711771A1 | 2 | STUD |
| 6 | 827-16150 | 2 | BOLT |
| 7 | 896-12016 | 4 | WASHER |
| 8 | 829-1316 | 2 | NUT |
| 9 | 282245A1 | 1 | Hook Assy |
| 10 | 282246A1 | 2 | CLEVIS PIN |
| 11 | 282256A1 | 1 | FRAME |
| 11 | 318461A1 | 1 | Frame Assy |
| 12 | 282258A1 | 1 | FRAME |
| 13 | 282287A1 | 2 | Plate |
| 14 | 614-8020 | 4 | SCREW |
| 15 | 895-11008 | 4 | WASHER |
| 16 | 829-1408 | 4 | NUT |
| 17 | 282288A1 | 2 | PLATE |

XTX Series XTX185, XTX200, XTX215 (2005-2007)

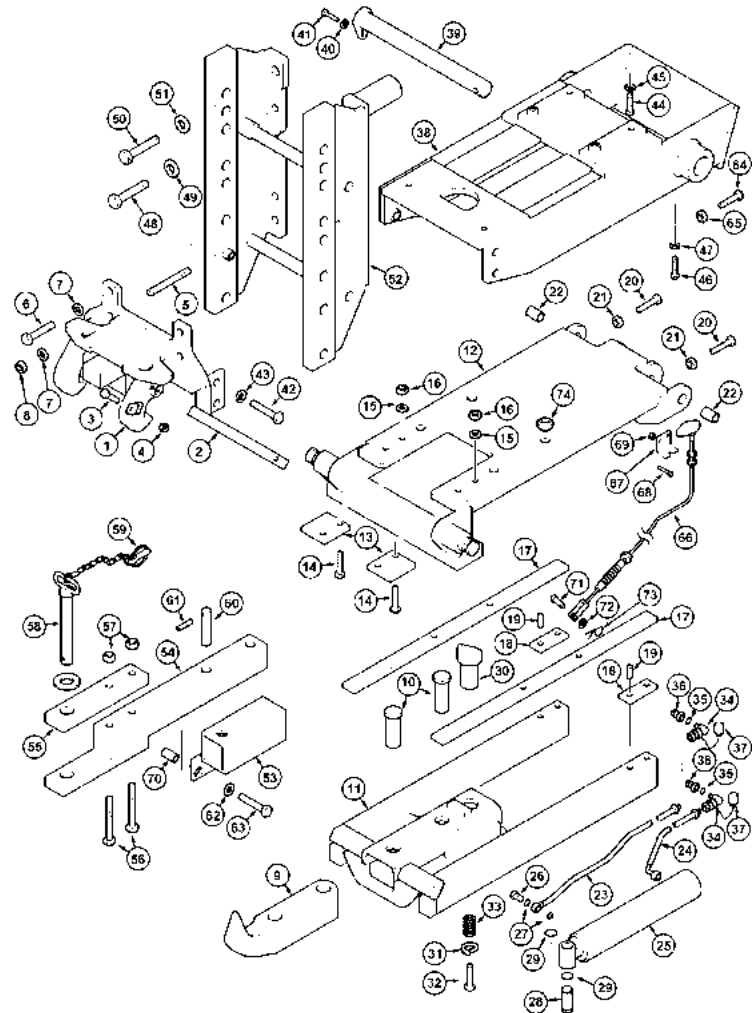
9149



- | | | | |
|----|-----------|---|-------------|
| 18 | 282289A1 | 2 | PLATE |
| 19 | 282290A1 | 4 | Pin |
| 20 | 614-16035 | 2 | BOLT |
| 21 | 829-1416 | 2 | NUT |
| 22 | 282291A1 | 2 | Bushing |
| 23 | 282292A1 | 1 | HYDR HOSE |
| 24 | 282293A1 | 1 | HYDR HOSE |
| 25 | 295897A1 | 1 | CYLINDER |
| 26 | 283453A1 | 1 | Bolt, Banjo |
| 27 | 638-53180 | 2 | O-Ring |
| 28 | 282313A1 | 1 | Pin |
| 29 | 800-1125 | 2 | RING |
| 30 | 282314A1 | 1 | Pin |
| 31 | 282315A1 | 1 | NAMEPLATE |
| 32 | 863-8030 | 1 | BOLT |
| 33 | 282318A1 | 1 | SPRING |
| 34 | 283454A1 | 2 | ELBOW |

XTX Series XTX185, XTX200, XTX215 (2005-2007)

9149



LOWER

M8; 8

9 x 17 x 1,6 mm

M8 x 20; 8,8

M8; 10

2000 mm

M18

17,5 x 30 x 4 mm

M16; 10

M16 x 150; 10,9

Includes: 2 - 4

M8 x 45; 8,8

Telescopic

M8 x 30; 12,9

Trima

Upper Front

M16 x 35; 8,8

2400 mm

18 ID x 2,65 mm

See Page(s): 8-89

Consists Of: 282256A1,12 - 37

M16 x 220; 10.9

CONTINUED

B

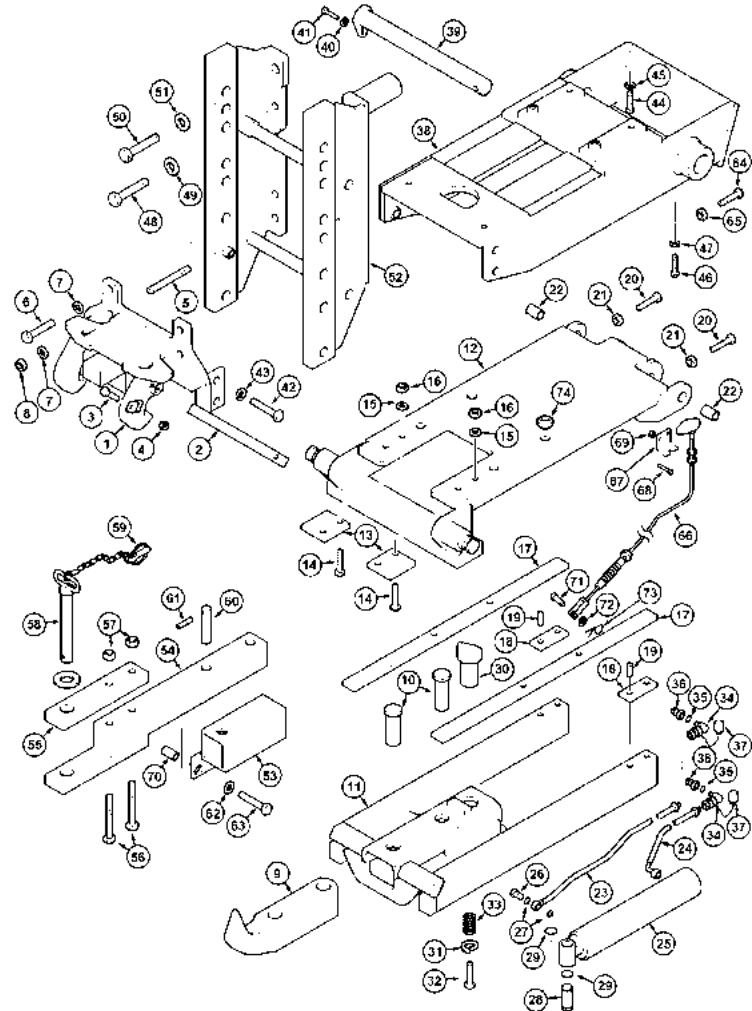
9 - Chassis / Attachments

9 -
151

AUTOMATIC HITCH - Europe Only

XTX Series XTX185, XTX200, XTX215 (2005-2007)

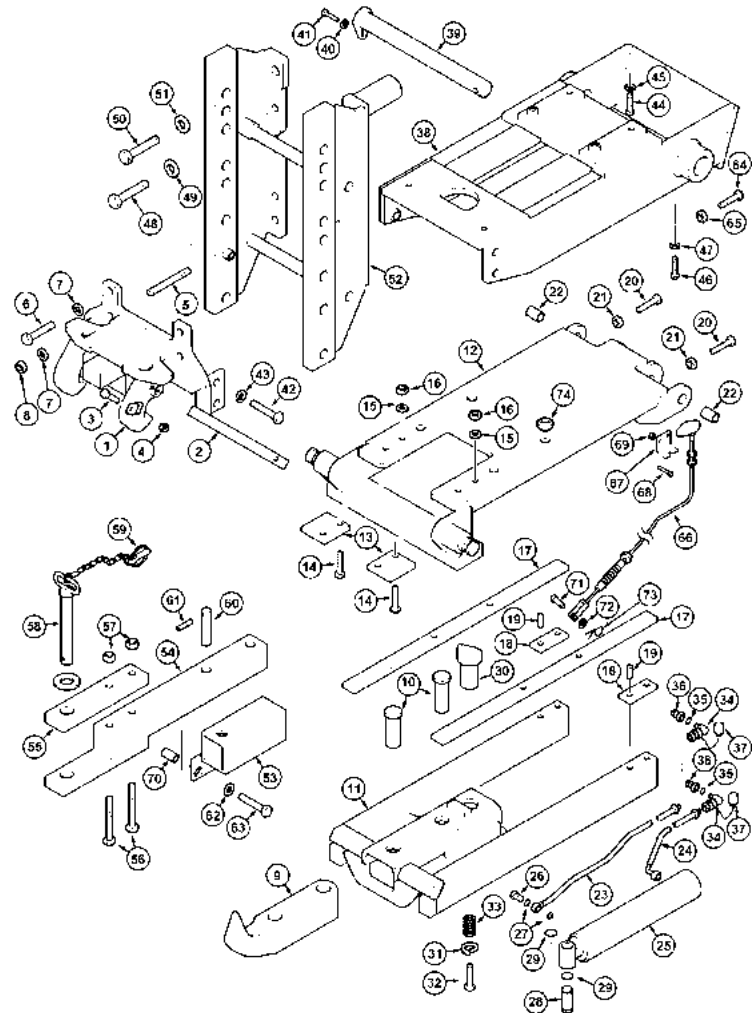
9151



- | | | | | |
|----|-----------|-----------------|---|------------|
| 35 | 238-5116 | | 2 | INSTANT GA |
| 36 | 1272770C2 | | 2 | ARMREST |
| 37 | T40759 | | 2 | Plug |
| 38 | 295624A1 | | 1 | Frame Assy |
| 39 | 282250A1 | | 1 | Pin Assy |
| 40 | 895-11008 | | 1 | WASHER |
| 41 | 627-8030 | | 1 | BOLT |
| 42 | 627-16040 | ● 3010577X1 (4) | 4 | BOLT |
| 43 | 896-12016 | | 4 | WASHER |
| 44 | 863-16060 | | 2 | SCREW |
| 45 | 896-12016 | | 2 | WASHER |
| 46 | 863-16080 | | 2 | SCREW |
| 47 | 896-12016 | | 2 | WASHER |
| 48 | 827-16170 | ● 3685359X1 (6) | 6 | SCREW |
| 49 | 896-11016 | ● 3019575X1 (6) | 6 | WASHER |
| 50 | 827-20170 | | 2 | SCREW |
| 51 | 896-11020 | | 2 | WASHER |

XTX Series XTX185, XTX200, XTX215 (2005-2007)

9151



- | | | | |
|----|-----------|---|------------|
| 52 | REF | 1 | Hitch Assy |
| 53 | 283477A1 | 1 | Bracket |
| 53 | 428800A1 | 1 | DRAWBAR |
| 54 | 283475A1 | 1 | BAR PLATE |
| 55 | 283476A1 | 1 | CLAMP |
| 56 | 827-16140 | 2 | BOLT |
| 57 | 825-51416 | 2 | NUT |
| 58 | 1974215C3 | 1 | TRACK |
| 59 | 1348064C1 | 1 | Pin |
| 60 | 283480A1 | 1 | Pin Assy |
| 61 | 838-4840 | 1 | Pin, Roll |
| 62 | 896-11020 | 2 | WASHER |
| 63 | 627-20040 | 2 | BOLT |
| 63 | 827-20090 | 2 | BOLT |
| 64 | 827-8050 | 1 | SCREW |
| 65 | 832-10408 | 1 | NUT FNS |
| 66 | 348272A2 | 1 | Cable Assy |
| 67 | 278176A1 | 1 | STRAP |
| 68 | 614-6020 | 2 | BOLT |

● 339666X1 (2)

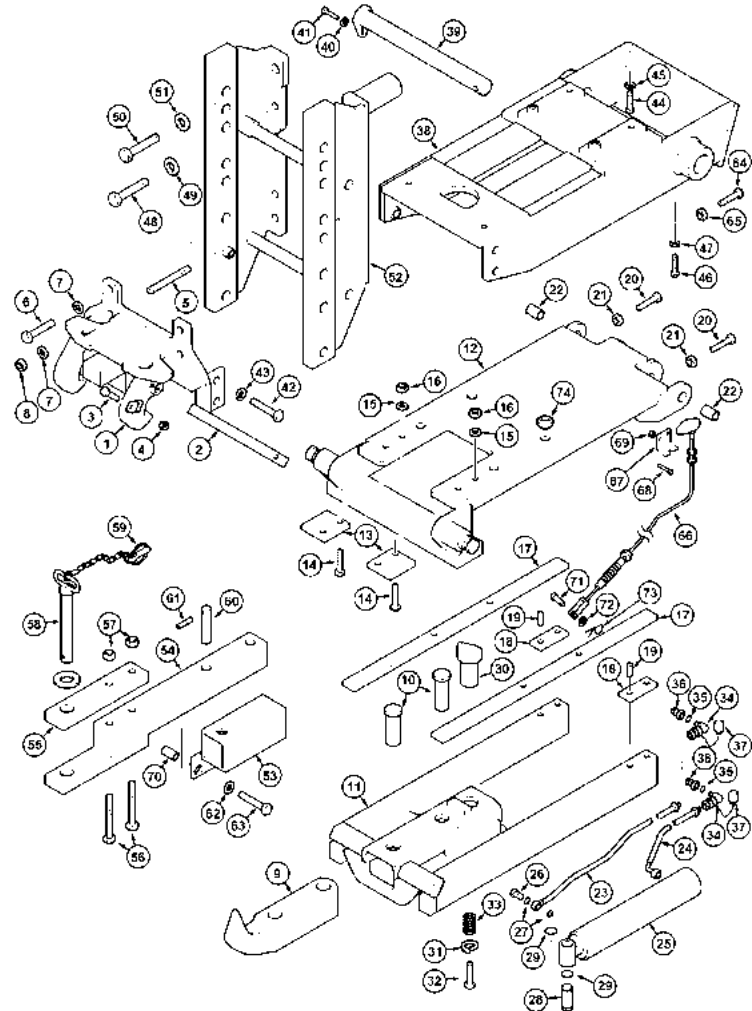
9 - Chassis / Attachments

9 -
151

AUTOMATIC HITCH - Europe Only

XTX Series XTX185, XTX200, XTX215 (2005-2007)

9151

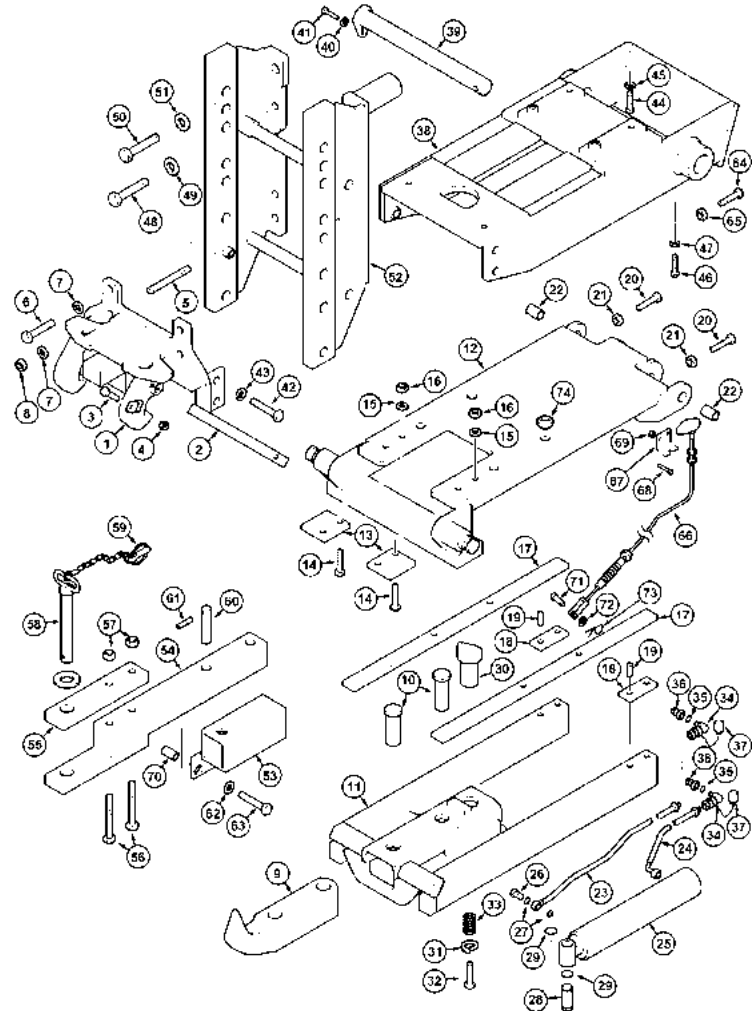


- 69 829-1406
- 70 906057R1
- 71 439-1616
- 72 895-11010
- 73 733-3220
- 74 280091A1

- 2 NUT
- 2 DRIVING
- 1 COTTER
- 1 WASHER
- 1 PIN
- 2 BUMPER

XTX Series XTX185, XTX200, XTX215 (2005-2007)

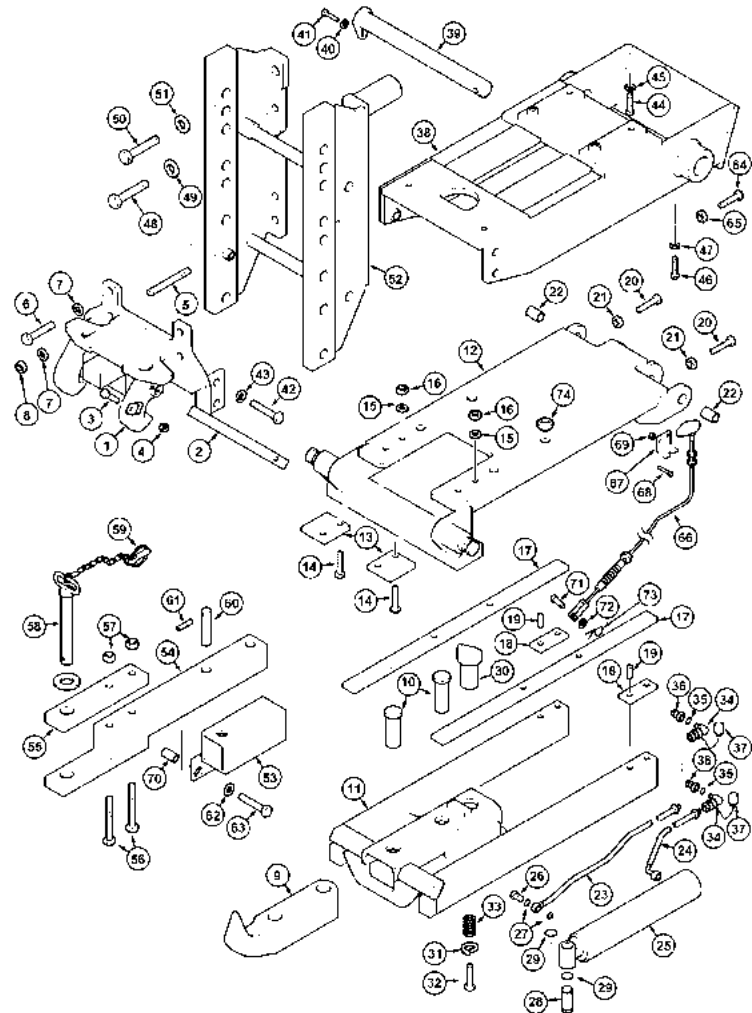
9151



- Upper
- M8; 8
- 9 x 17 x 1,6 mm
- 11 x 21 x 2 mm
- M16
- M6; 10
- 17,5 x 30 x 4 mm
- 3/4 ID x 3/32
- 3,2 x 20 mm
- 3/8 x 1
- M20 x 90; 10.9
- 22 x 37 x 4 mm
- M6 x 20; 8,8
- M8 x 50; 10.9
- M16 x 140; 10,9
- M20 x 40; 10,9
- M16 x 60
- Includes: 61
- M8 x 30; 10,9
- 8x40 mm
- M16 x 40; 10,9
- M16 x 170; 10.9
- M16 x 80
- SUSPENSION AXLE
- Consists Of: 283477A1,54 - 63
- 1-1/8 x 1-7/8 in
- M20 x 170 mm

XTX Series XTX185, XTX200, XTX215 (2005-2007)

9151



See Page(s): 9-143,147

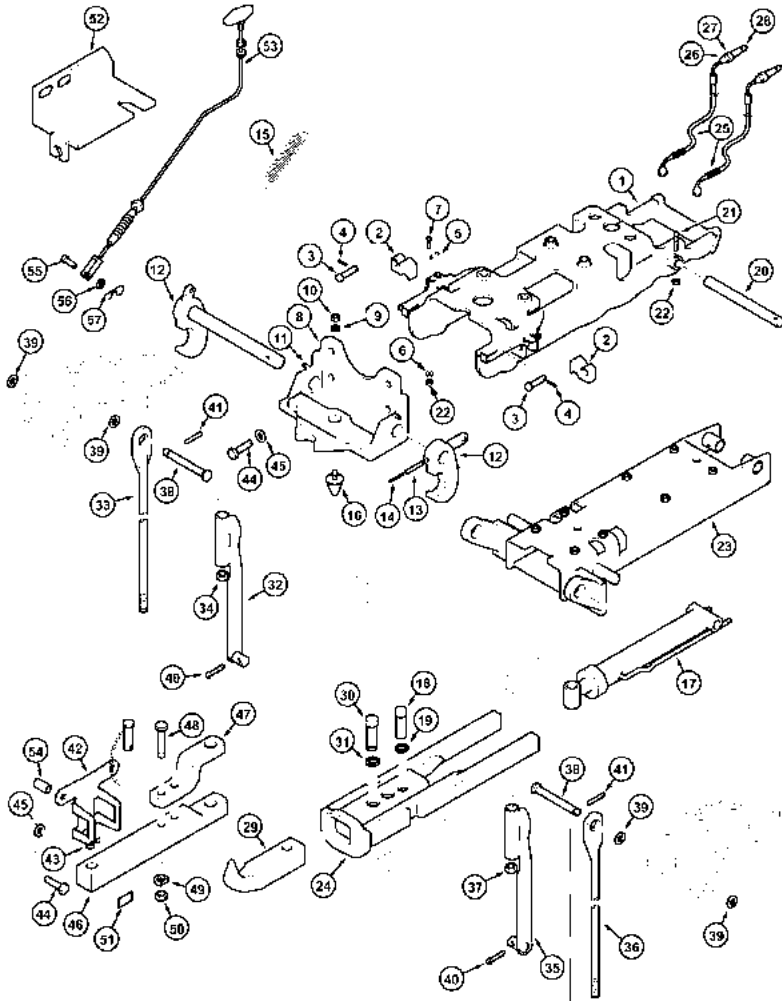
9 - Chassis / Attachments

9 -
153

AUTOMATIC HITCH - Europe Only

XTX Series XTX185, XTX200, XTX215 (2005-2007)

9153



- | | | | |
|----|-----------|---|------------|
| 1 | 362893A1 | 1 | Frame Assy |
| 1 | 362903A1 | 1 | Frame Assy |
| 1 | 436472A1 | 1 | FRAME |
| 2 | 281090A1 | 2 | PLATE |
| 3 | 281260A1 | 2 | CLEVIS PIN |
| 4 | 838-1536 | 2 | Pin |
| 5 | 362904A1 | 2 | SPRING |
| 6 | 895-11008 | 4 | WASHER |
| 7 | 614-8016 | 2 | SCREW |
| 8 | 362906A1 | 1 | Plate Assy |
| 8 | 362907A1 | 1 | PLATE |
| 9 | 895-11010 | 1 | WASHER |
| 10 | 832-46410 | 1 | NUT |
| 11 | 219-46 | 2 | UNION |
| 12 | 362902A1 | 1 | Hook Assy |
| 13 | 362901A1 | 1 | Kit |
| 13 | 838-51080 | 1 | Pin |

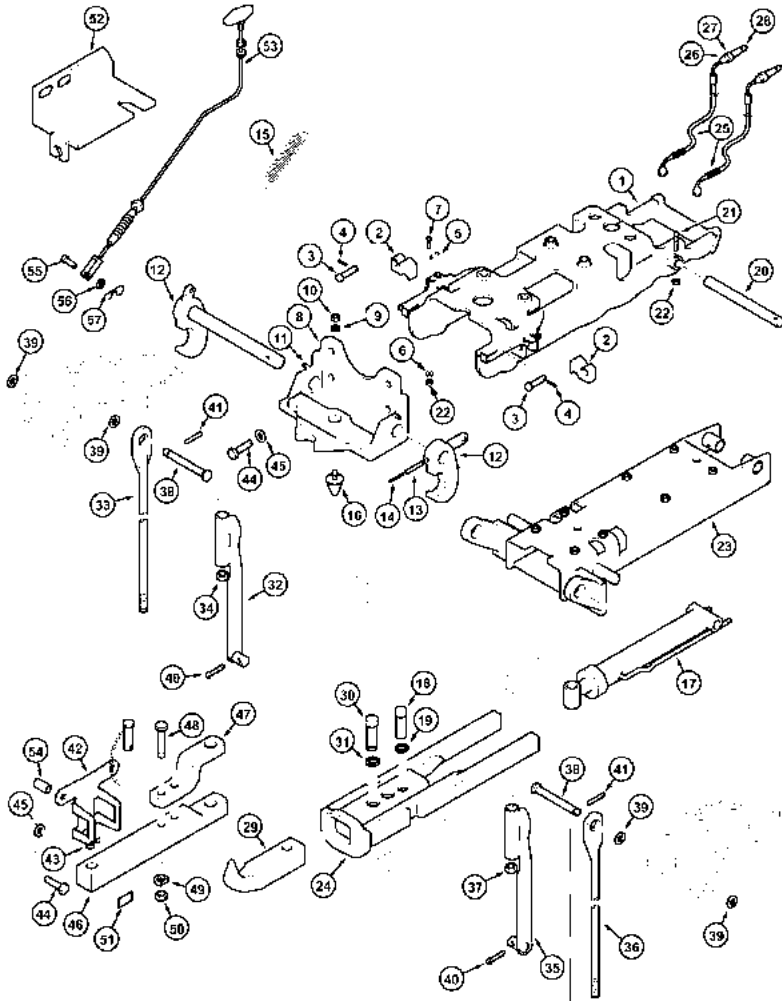
9 - Chassis / Attachments

9 -
153

AUTOMATIC HITCH - Europe Only

XTX Series XTX185, XTX200, XTX215 (2005-2007)

9153



- 14 838-5680
- 15 281262A1
- 16 132266A1
- 17 362894A1
- 18 362895A1
- 19 800-1125
- 20 362896A1
- 21 827-8080
- 22 832-10408
- 23 362898A1
- 24 362899A1
- 25 252336A1
- 26 228742A1
- 27 228743A1
- 28 1272770C2

- 1 Pin
- 1 SPRING
- 1 PRIMER
- 1 Cylinder
- 1 AXLE
- 1 RING
- 1 Pin
- 1 BOLT
- 1 NUT FNS
- 1 FRAME ASSY
- 1 Frame Assy
- 2 HYDR HOSE
- 2 Fitting
- 2 RING
- 2 ARMREST

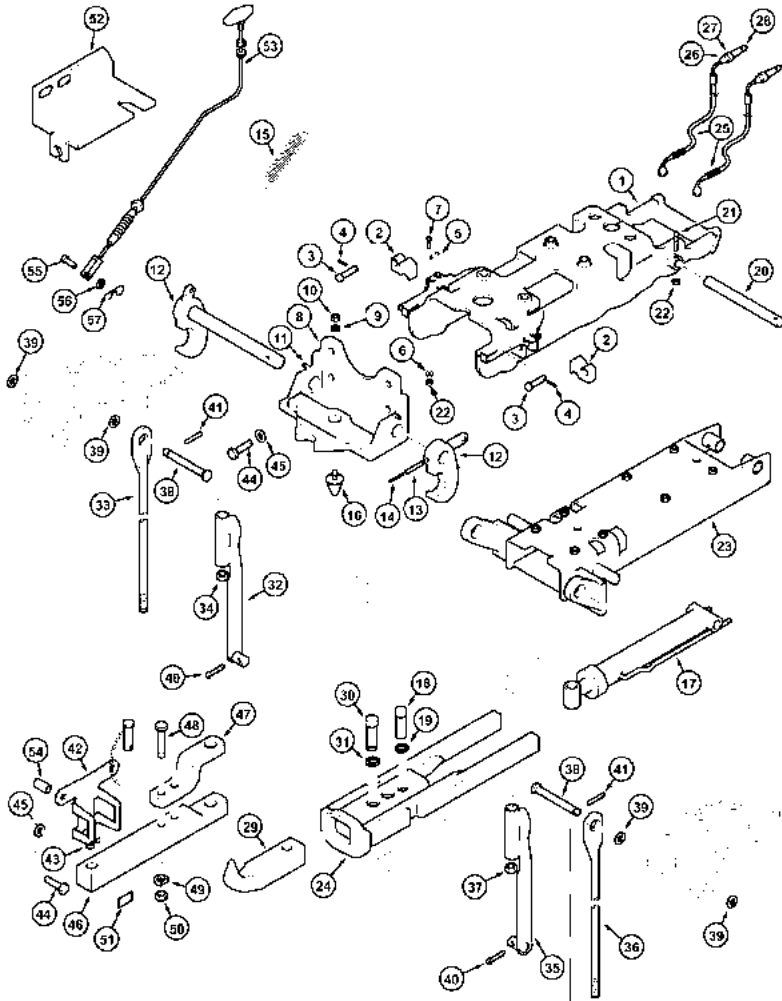
9 - Chassis / Attachments

9 -
153

AUTOMATIC HITCH - Europe Only

XTX Series XTX185, XTX200, XTX215 (2005-2007)

9153



Upper
LOWER
M8 x 16; 8,8
M8; 8
9 x 17 x 1,6 mm
M10
11 x 21 x 2 mm
Includes: 2 - 7
M8 x 80
10 x 80 mm
6 x 80 mm
Dromone
Slide
Includes: 26 - 28
5 x 36 mm
86 mm
3/8 in
Consists Of: 362903A1,2 - 28
Consists Of: 362903A1,2 - 7
Consists Of: 362907A1,9 - 16
Hardware
Consists Of: 838-51080,14,15
CONTINUED

B

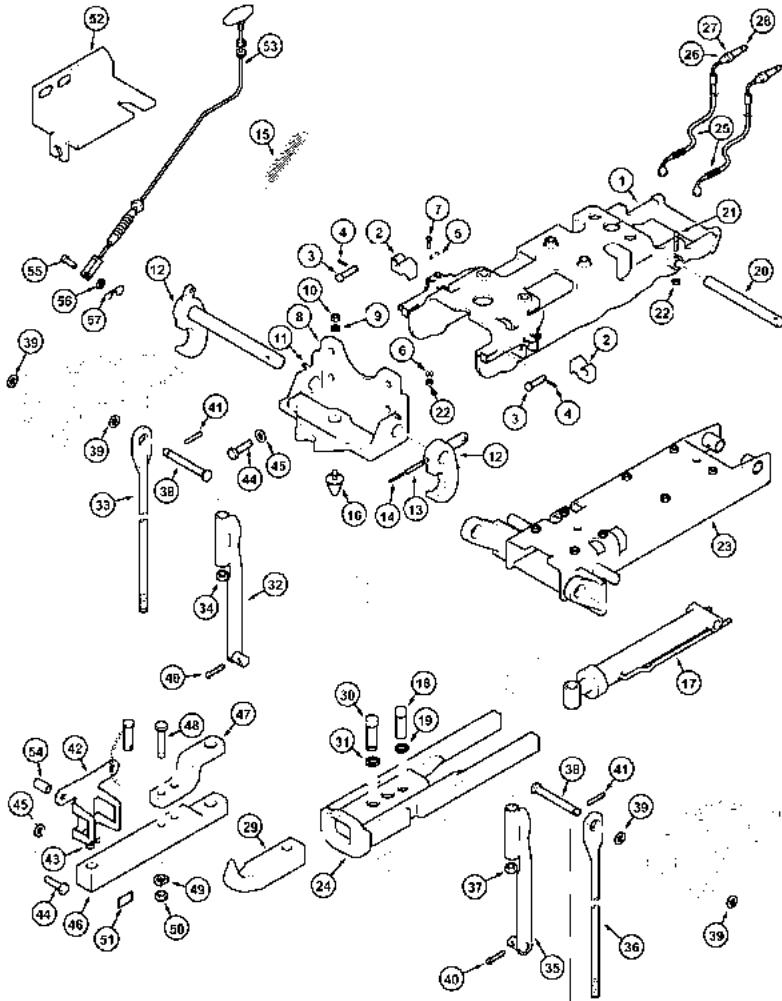
9 - Chassis / Attachments

9 -
155

AUTOMATIC HITCH - Europe Only

XTX Series XTX185, XTX200, XTX215 (2005-2007)

9155



- | | | | |
|----|----------------|---|--------------|
| 29 | 362888A1 | 1 | KIT |
| 29 | 362913A1 | 1 | HOOK |
| 30 | 362914A1 | 1 | Pin |
| 31 | 800-1130 | 1 | Ring, Reta |
| 32 | 362918A1 | 1 | LINK |
| 32 | 428817A1 | 1 | LINK |
| 33 | 362919A1 | 1 | Rod, Lifting |
| 34 | 132260A1 | 1 | NUT |
| 35 | 362920A1 | 1 | LINK |
| 35 | 428818A1 | 1 | LINK |
| 36 | 362919A1 | 1 | Rod, Lifting |
| 37 | 132260A1 | 1 | NUT |
| 38 | 362889A1 | 1 | Kit |
| 38 | 362917A1 | 2 | Pin |
| 39 | 495-81197 | 2 | WASHER |
| 40 | 733-8040 | 2 | PIN |
| 41 | 838-51380 | 2 | PIN |
| 42 | 705794A1 | 1 | Bracket Assy |
| 43 | 720631R1 | 1 | PIN |
| | ● 198121A1 (1) | | |

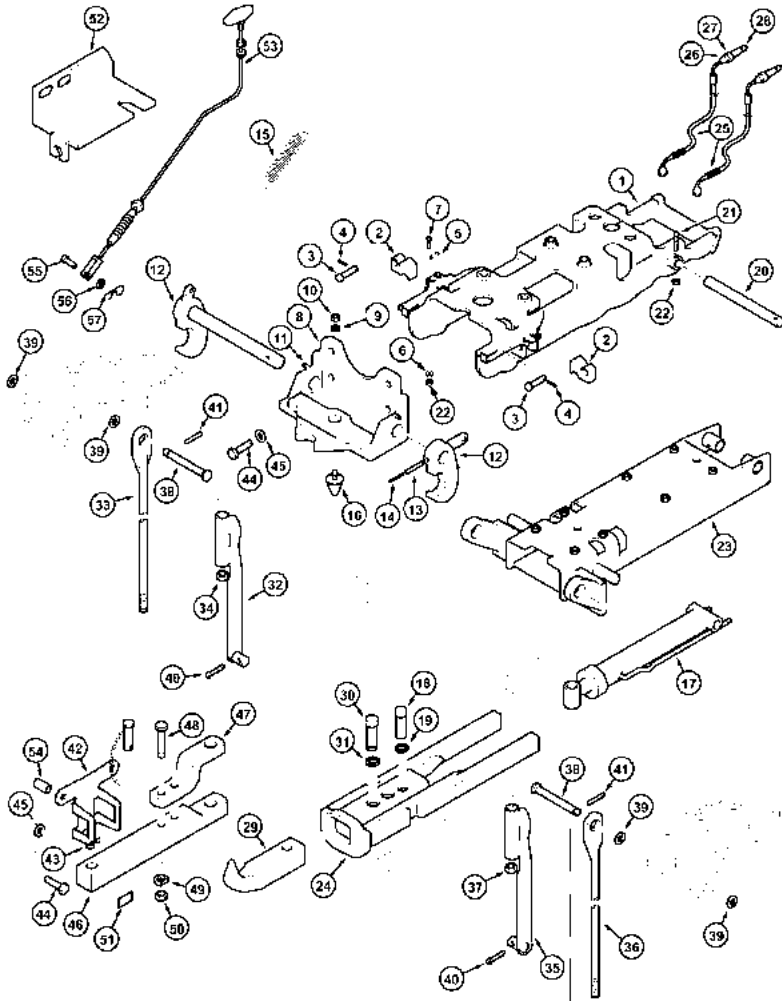
9 - Chassis / Attachments

9 -
155

AUTOMATIC HITCH - Europe Only

XTX Series XTX185, XTX200, XTX215 (2005-2007)

9155



- | | | | |
|----|-----------|---|---------|
| 44 | 627-20045 | 2 | BOLT |
| 44 | 827-20090 | 2 | BOLT |
| 45 | 896-11020 | 2 | WASHER |
| 46 | 363111A1 | 1 | Drawbar |
| 46 | 428820A1 | 1 | DRAWBAR |
| 47 | 132267A1 | 1 | CLEVIS |
| 48 | 827-16120 | 2 | BOLT |
| 49 | 892-11016 | 2 | WASHER |
| 50 | 829-1416 | 2 | NUT |
| 51 | 362922A1 | 1 | Decal |
| 52 | 362892A1 | 1 | BRACE |
| 53 | 293020A5 | 1 | CABLE |
| 54 | 906058R1 | 2 | DRIVING |
| 55 | 439-1616 | 1 | COTTER |
| 56 | 895-11010 | 1 | WASHER |
| 57 | 733-3220 | 1 | PIN |

● 6509667M91 (1)

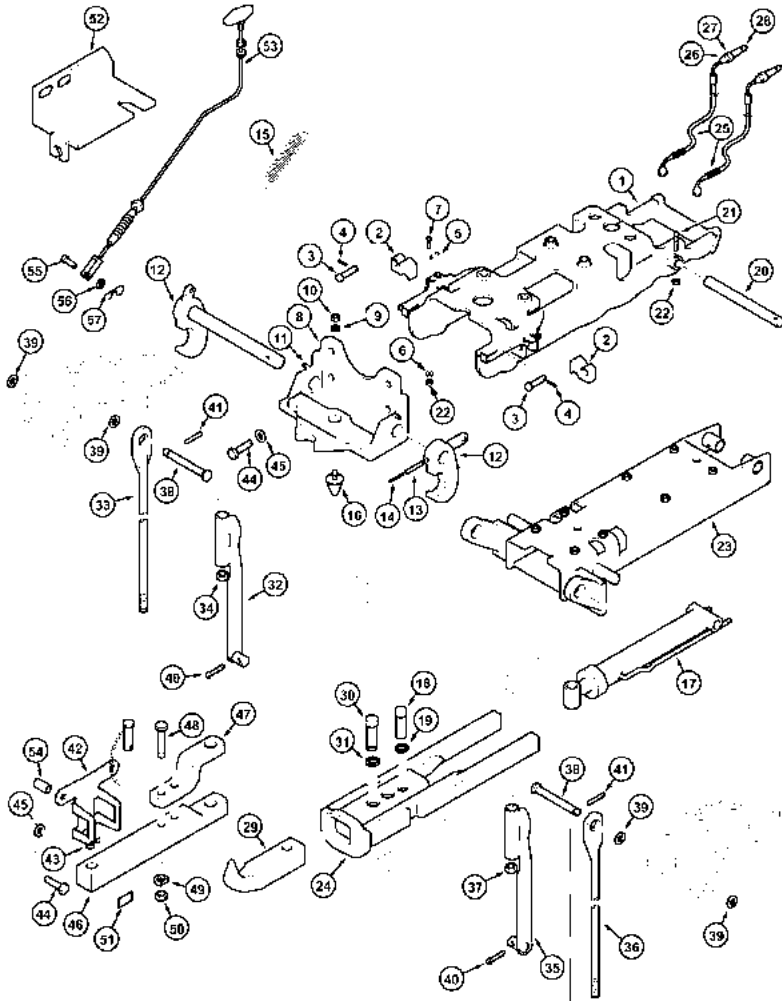
9 - Chassis / Attachments

9 -
155

AUTOMATIC HITCH - Europe Only

XTX Series XTX185, XTX200, XTX215 (2005-2007)

9155



Left

Right

11 x 21 x 2 mm

3,2 x 20 mm

M16; 10

3/8 x 1

8 x 40 mm

M20 x 90; 10.9

22 x 37 x 4 mm

1-3/16 x 1-3/4 x 1/16

16 mm

M20 x 45; 10,9

Hook

SUSPENSION AXLE

1-1/8 x 2-3/8 in

Hardware

Consists Of: 362913A1,30,31

Consists Of: 362918A1,33,34,38 - 41

Consists Of: 362920A1,36 - 41

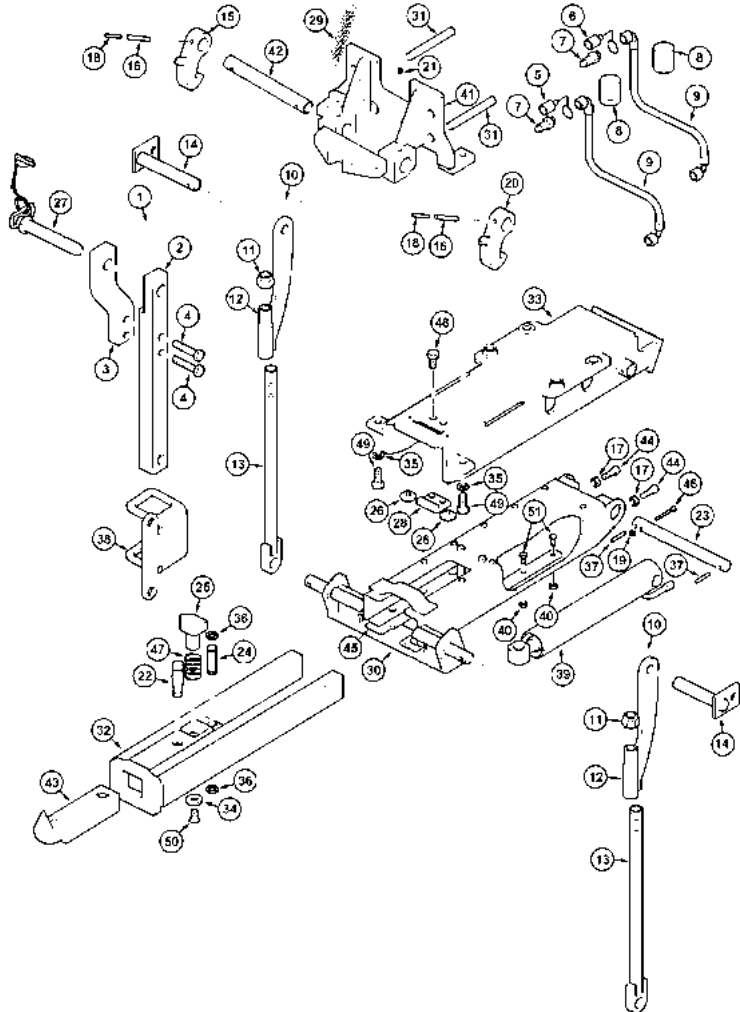
Consists Of: 362917A1,39 - 41

Consists Of: 363111A1,47 - 51

M16 x 120

XTX Series XTX185, XTX200, XTX215 (2005-2007)

9157



- | | | | |
|----|-----------|---|--------------|
| 1 | 712195A1 | 1 | Drawbar Assy |
| 2 | 712400A1 | 1 | DRAWBAR |
| 3 | 712117A1 | 1 | CLEVIS |
| 4 | 712415A1 | 2 | BOLT |
| 5 | 711506A1 | 1 | Cap, Dust |
| 6 | 711505A1 | 1 | Cap, Dust |
| 7 | 711504A1 | 1 | COUPLING |
| 8 | 711503A1 | 1 | Cover |
| 9 | 711502A1 | 2 | TUBE ASSY |
| 10 | 712185A2 | 1 | LINK |
| 11 | 832-10427 | 2 | NUT |
| 12 | 712190A2 | 2 | LINK |
| 13 | 712191A2 | 2 | LINK |
| 14 | 712186A1 | 2 | Pin Assy |
| 15 | 712401A1 | 1 | Hook Assy |
| 16 | 712408A1 | 2 | Pin |
| 17 | 829-1416 | 2 | NUT |
| 18 | 712409A1 | 2 | Pin |
| 19 | 829-1408 | 1 | NUT |
| 20 | 712118A1 | 1 | Hook Assy |
| 21 | 219-14 | 2 | GREASE |

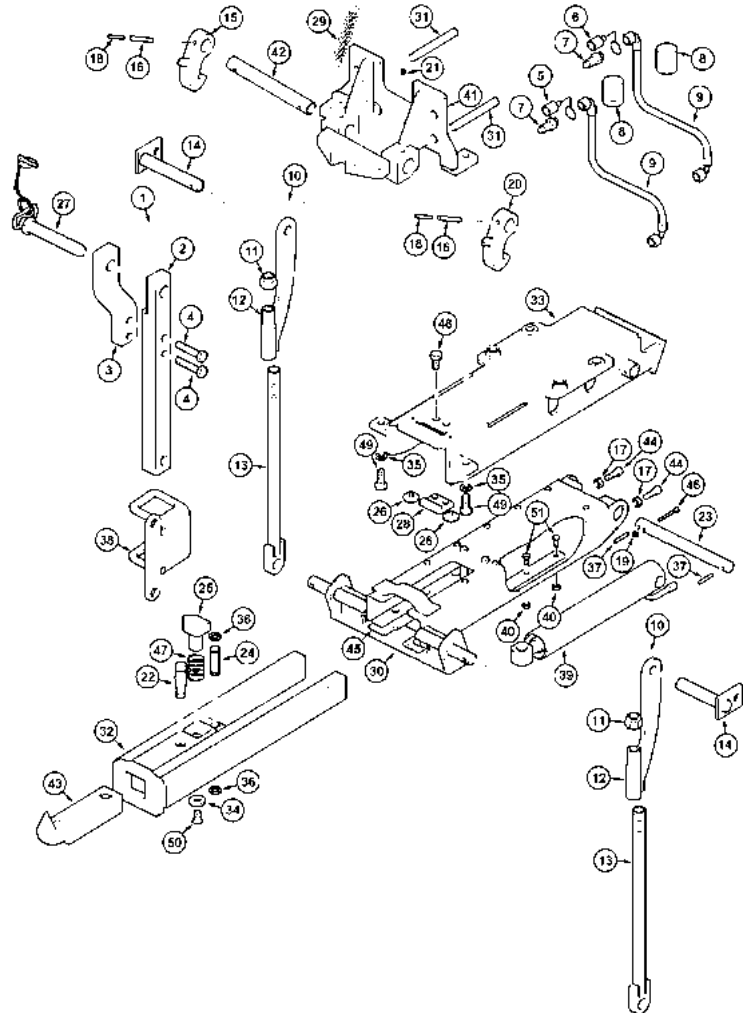
9 - Chassis / Attachments

9 -
157

AUTOMATIC HITCH - Europe Only

XTX Series XTX185, XTX200, XTX215 (2005-2007)

9157



- | | | | |
|----|----------|---|----------|
| 22 | 712193A1 | 1 | Pin |
| 23 | 712405A1 | 1 | Pin |
| 24 | 712403A1 | 1 | Pin |
| 25 | 712406A1 | 1 | Pin |
| 26 | 712134A1 | 2 | BUMPER |
| 27 | 712194A1 | 1 | Pin Assy |
| 28 | 712407A1 | 1 | Plate |
| 29 | 712402A1 | 1 | Spring |

Upper

LOWER

Left

Right

M8; 10

1/4 in

Consists Of: 2,3,4

M16; 10

M27

M16 x 95; 10.9

Consists Of: 11 - 14

B

CONTINUED

C

RED

C

GREEN

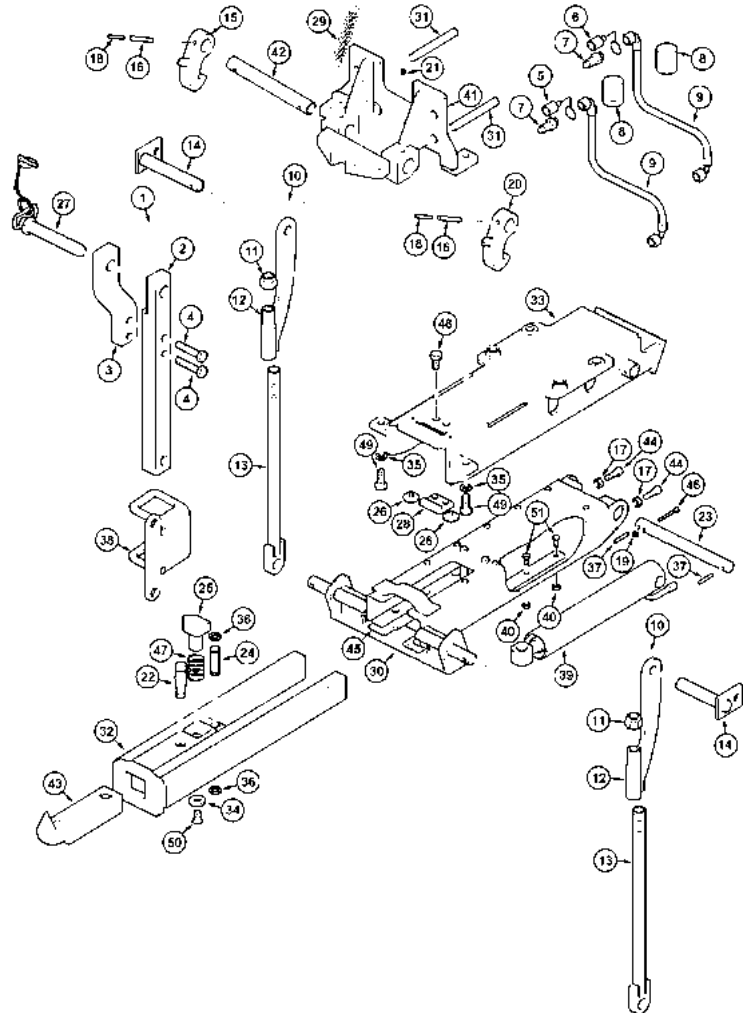
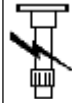
9 - Chassis / Attachments

9 -
159

AUTOMATIC HITCH - Europe Only

XTX Series XTX185, XTX200, XTX215 (2005-2007)

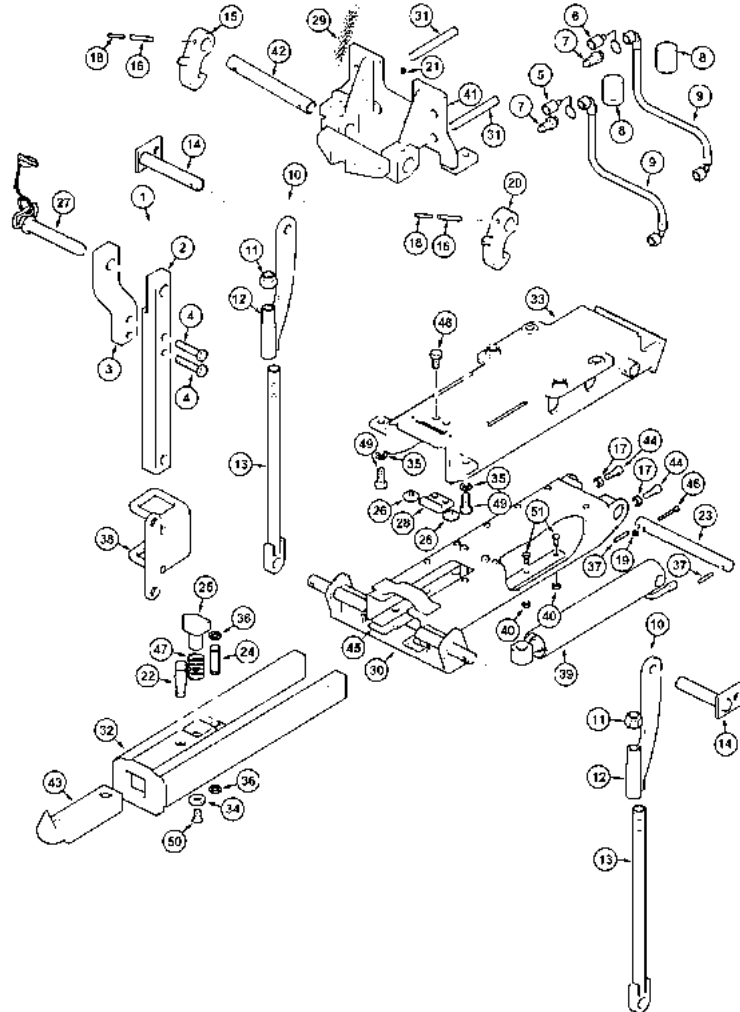
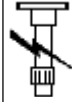
9159



- | | | | |
|----|-----------------|----|---------------|
| 30 | 712411A1 | 1 | FRAME ASSY |
| 31 | 711771A1 | 2 | STUD |
| 32 | 712412A1 | 1 | FRAME ASSY |
| 33 | 712413A1 | 1 | FRAME ASSY |
| 34 | 712132A1 | 1 | Washer |
| 35 | 896-11016 | 2 | WASHER |
| | ● 3019575X1 (2) | | |
| 36 | 712133A1 | 2 | RING |
| 37 | 838-3850 | 2 | Pin |
| 38 | 712196A1 | 1 | Bracket |
| 39 | 295921A1 | 1 | Package, S |
| 39 | 712143A1 | 1 | Cylinder Assy |
| 40 | 829-1408 | 20 | NUT |
| 41 | 712414A2 | 1 | Housing Assy |
| 42 | 712404A1 | 1 | TUBE ASSY |
| 43 | 712192A1 | 1 | HOOK |
| 44 | 614-16040 | 2 | BOLT |
| 45 | 712119A1 | 4 | Plate, Fri |
| 46 | 814-8070 | 1 | BOLT |
| 47 | 712121A1 | 1 | Spring |
| 48 | 627-16030 | 2 | BOLT |
| 49 | 614-16040 | 2 | BOLT |
| 50 | 712142A1 | 1 | BOLT |

XTX Series XTX185, XTX200, XTX215 (2005-2007)

9159



51 906039R1

20 BOLT

- Upper
- LOWER
- M8; 10
- 17,5 x 30 x 4 mm
- M8 x 25; 10.9
- M8 x 70; 8,8
- 8x50 mm
- M16 x 30; 10,9
- M16 x 40
- M14 x 30; 10.9
- M16 x 220; 10.9

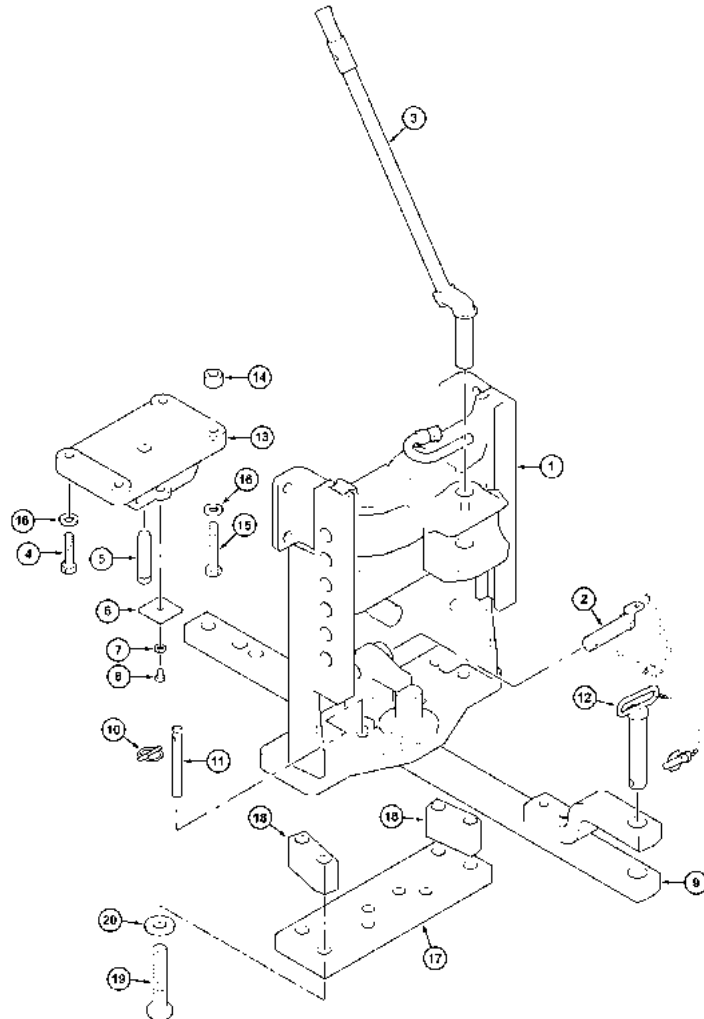
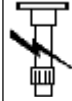
9 - Chassis / Attachments

9 -
161

TRAILER HITCH - Europe Only

XTX Series XTX185, XTX200, XTX215 (2005-2007)

9161

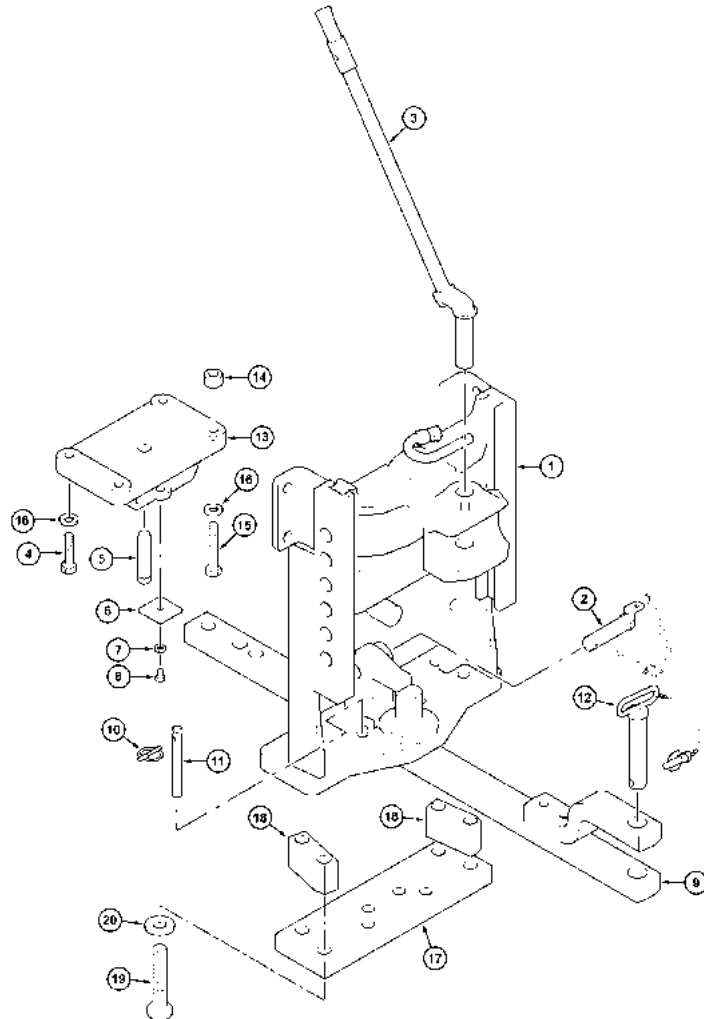
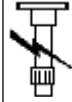


- | | | | |
|----|-----------|---|--------------|
| 1 | 713062A1 | 1 | Hitch Assy |
| 2 | 712669A1 | 1 | Pin Assy |
| 3 | 712668A1 | 1 | Pin Assy |
| 4 | 828-16065 | 2 | BOLT |
| 5 | 1982103C1 | 1 | CLEVIS PIN |
| 6 | 67828C1 | 1 | THRUSTER |
| 7 | 892-11012 | 1 | WASHER |
| 8 | 628-12035 | 1 | BOLT |
| 9 | 713063A1 | 1 | Drawbar Assy |
| 10 | 712790A1 | 2 | Pin, Linch |
| 11 | 712780A1 | 2 | Pin |
| 12 | 1974215C3 | 1 | TRACK |
| 13 | 232755A2 | 1 | BRACE |
| 14 | 1331722C1 | 2 | Pin, Dowel |
| 15 | 828-16080 | 2 | BOLT |
| 16 | 896-11016 | 4 | WASHER |
| 17 | 712588A1 | 1 | Support |
| 18 | TBA | 2 | Spacer |
| 19 | 828-20130 | 4 | BOLT |
| 20 | 896-11020 | 4 | WASHER |

● 3019575X1 (4)

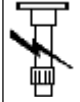
XTX Series XTX185, XTX200, XTX215 (2005-2007)

9161

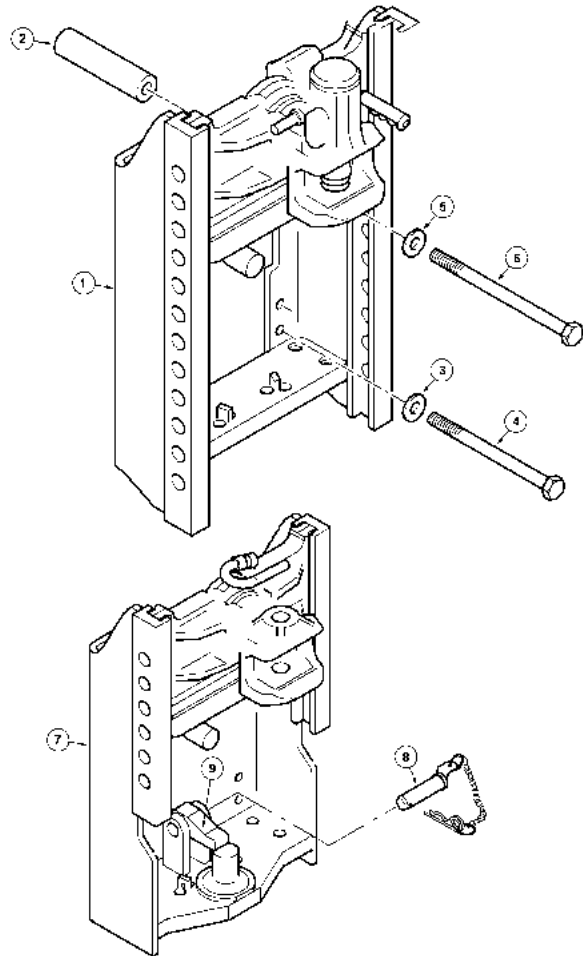


- Includes: 18
- 12 mm
- 17,5 x 30 x 4 mm
- Includes: 14
- 22 x 37 x 4 mm
- M16 x 80; 10,9
- Manual Control
- M12 x 35; 10,9
- M16 x 65; 10,9
- Sauermann
- M20 x 130; 10.9

XTX Series XTX185, XTX200, XTX215 (2005-2007)

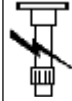


9163

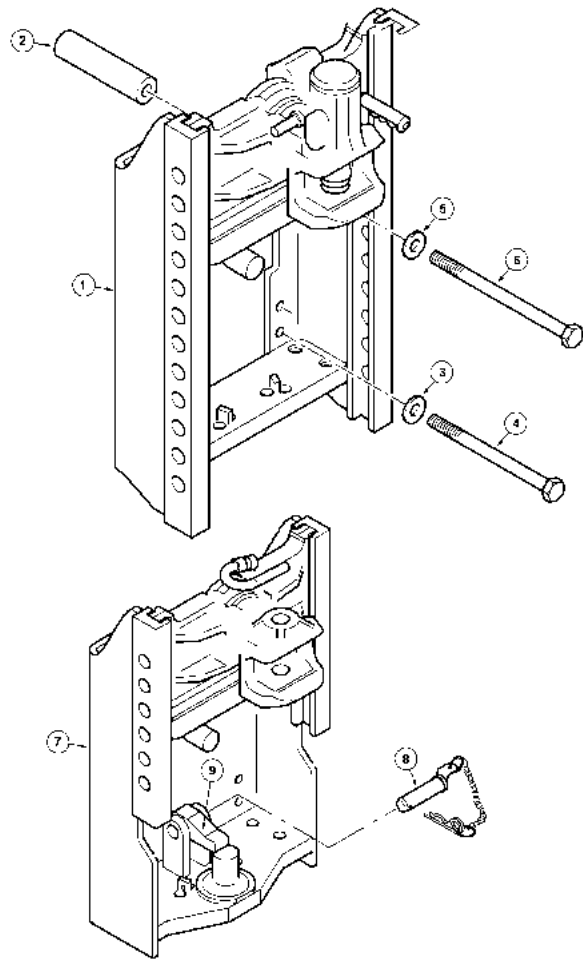


1	713051A1		1	Hitch Assy
1	713064A1	● 713064A2 (1)	1	Hitch Assy
2	713052A1	● 3692166M1 (2)	2	Spacer
2	713053A1		2	Spacer
3	896-11016	● 3019575X1 (0)	0	WASHER
4	827-16170	● 3685359X1 (6)	6	SCREW
4	828-16180		4	SCREW
5	896-11020		2	WASHER
6	828-20180		2	SCREW

XTX Series XTX185, XTX200, XTX215 (2005-2007)



9163



6	828-20190	2	BOLT
7	713198A1	1	Hitch Assy
8	712669A1	1	Pin Assy
9	6507764M1 ! 7	1	PIN

17,5 x 30 x 4 mm

Illustrated

22 x 37 x 4 mm

M16 x 170; 10.9

M20 x 180; 10.9

Sauermann

Automatic Control

M16 x 180; 10,9

M20 x 190; 10.9

122 mm

137 mm

Piton

! THIS IS A COMPONENT OF AN ASSEMBLY

D SHORT

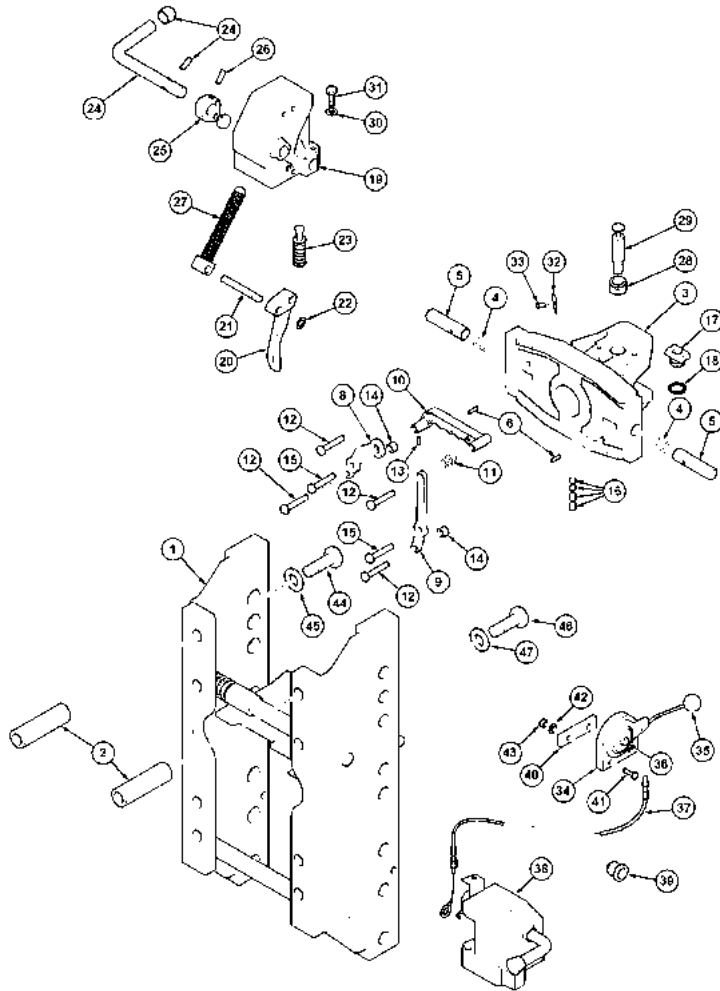
9 - Chassis / Attachments

9 -
165

TRAILER HITCH WITH AUTOMATIC CLEVIS

XTX Series XTX185, XTX200, XTX215 (2005-2007)

9165



- | | | | | |
|----|----------|-----------------|---|------------|
| 1 | 710950A1 | | 1 | FRAME |
| 2 | 310003A2 | | 2 | SPACER |
| 3 | 310006A2 | ● 428395A1 (1) | 1 | Clevis |
| 4 | 141013A1 | | 2 | SPRING |
| 5 | 141014A1 | | 2 | PIN |
| 6 | 738-1516 | ● N.L.A. (2) | 2 | Pin |
| 8 | 141015A1 | | 1 | HANDLE |
| 9 | NSS | | 1 | Bar |
| 10 | NSS | | 1 | Handle |
| 11 | NSS | | 1 | Spring |
| 12 | NSS | | 4 | Pin |
| 13 | 738-1516 | ● N.L.A. (1) | 1 | Pin |
| 14 | NSS | | 2 | Spacer |
| 15 | NSS | | 2 | Pin |
| 16 | 177336A1 | ● 1534047C1 (1) | 1 | Brake Assy |
| 17 | 310109A1 | | 1 | RING |
| 17 | 310112A1 | | 1 | BUSH |
| 18 | 800-5140 | | 1 | RING |
| 19 | 310187A2 | | 1 | CRANKCASE |

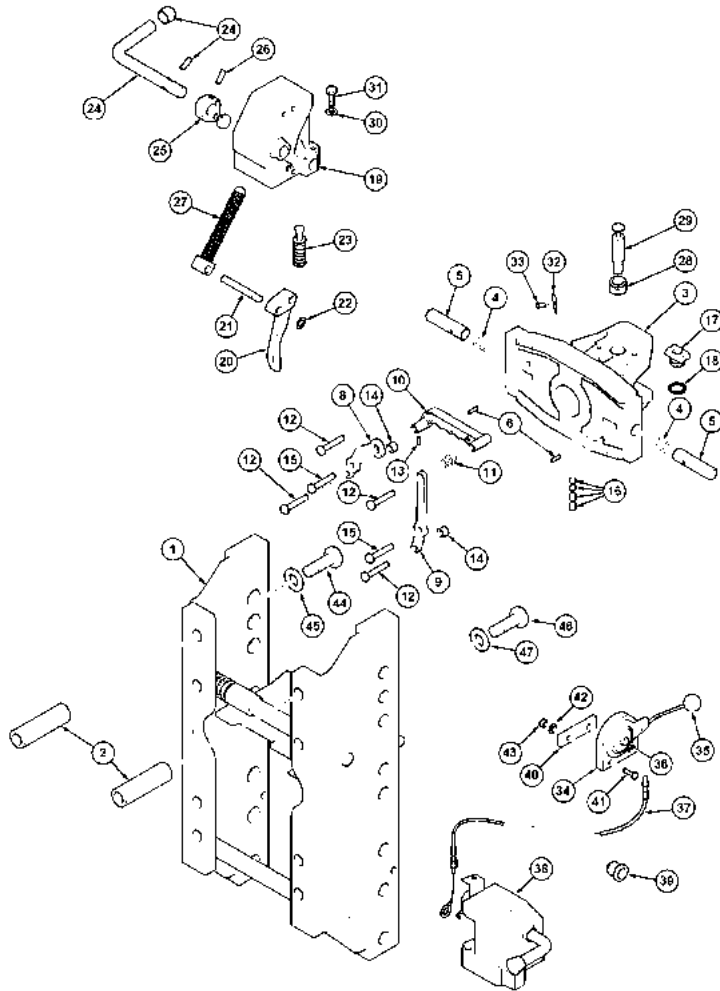
9 - Chassis / Attachments

9 -
165

TRAILER HITCH WITH AUTOMATIC CLEVIS

XTX Series XTX185, XTX200, XTX215 (2005-2007)

9165



- | | | | |
|----|----------|---|--------------|
| 19 | 310188A2 | 1 | Housing Assy |
| 20 | 310130A1 | 1 | Lever Assy |
| 21 | 310135A1 | 1 | Pin |
| 22 | 800-416 | 1 | RING |
| 23 | 310139A1 | 1 | PIN |
| 24 | 310147A1 | 1 | HANDLE |

LOWER

Includes: 21,22

32 mm

5 x 16 mm

40x2.5 mm

Includes: 9 - 15

37 mm

Includes: 4 - 33

Includes: 20 - 28,29

Includes: 20 - 29

B

CONTINUED

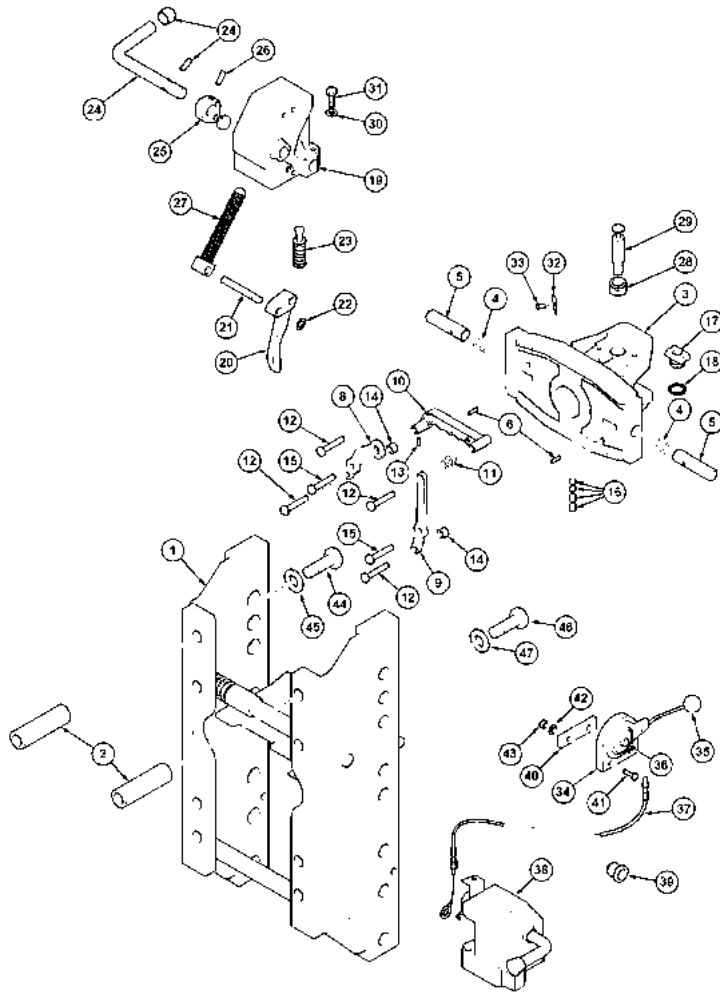
9 - Chassis / Attachments

9 -
167

TRAILER HITCH WITH AUTOMATIC CLEVIS

XTX Series XTX185, XTX200, XTX215 (2005-2007)

9167



- | | | | |
|----|-----------|---|------------|
| 25 | 310175A1 | 1 | Lever Assy |
| 26 | 838-5836 | 1 | CLEVIS PIN |
| 27 | 310181A1 | 1 | Pin Assy |
| 28 | 368545A1 | 1 | RING |
| 28 | 368551A1 | 1 | BUSH |
| 29 | 310185A1 | 1 | Pin, Hitch |
| 29 | 310186A1 | 1 | Pin, Hitch |
| 30 | 896-11010 | 2 | WASHER |
| 31 | 827-10050 | 2 | Screw |
| 32 | NSS | 1 | Plate |
| 33 | 906028R1 | 2 | Pin |
| 34 | 334052A1 | 1 | LEVER |
| 34 | 334055A1 | 1 | LEVER |
| 35 | 3404892R1 | 1 | GRIP |
| 36 | 3221725R1 | 1 | CAP |
| 37 | 334056A1 | 1 | Cable Assy |
| 38 | 334059A1 | 1 | LEVER |
| 39 | 182047A1 | 1 | WALKWAY |
| 40 | 334053A1 | 2 | DRIVING |

● N.L.A. (1)

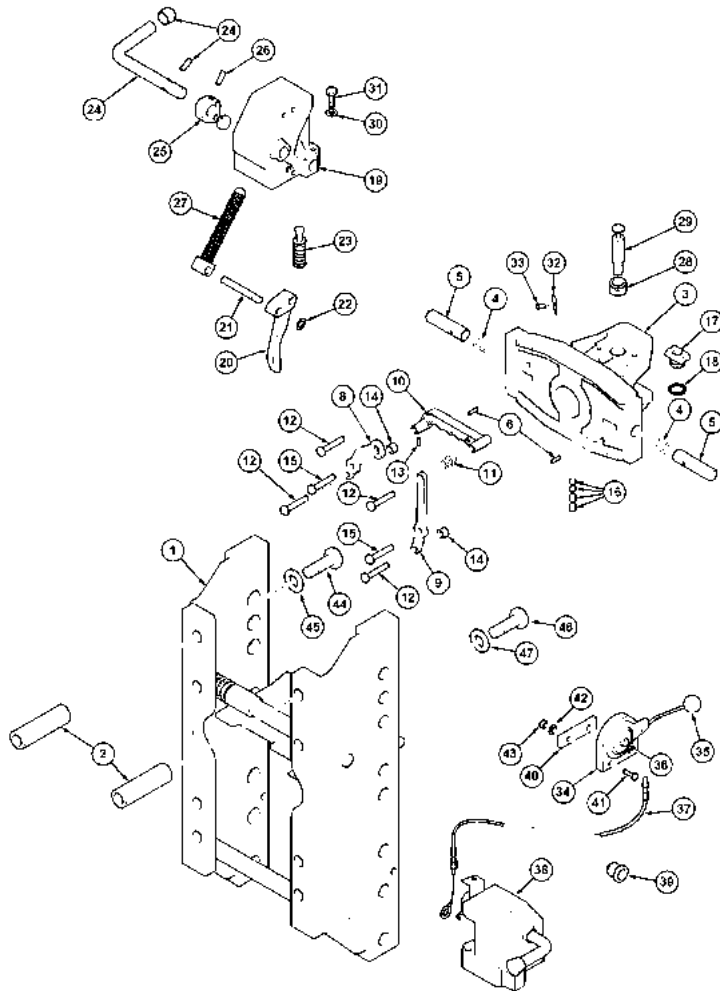
9 - Chassis / Attachments

9 -
167

TRAILER HITCH WITH AUTOMATIC CLEVIS

XTX Series XTX185, XTX200, XTX215 (2005-2007)

9167



- | | | | | |
|----|-----------|-----------------|---|---------|
| 41 | 540-713 | | 2 | SCREW |
| 42 | 895-11006 | ● 390971X1 (2) | 2 | WASHER |
| 43 | 832-10406 | ● 1441500X1 (2) | 2 | NUT FNS |
| 44 | 828-20180 | | 2 | SCREW |
| 45 | 896-11020 | | 2 | WASHER |
| 46 | 827-16170 | ● 3685359X1 (6) | 6 | SCREW |
| 47 | 896-11016 | ● 3019575X1 (6) | 6 | WASHER |

Upper

6,6 x 12 x 1,6 mm

11 x 21 x 2,5 mm

M6; 8

6 mm

Includes: 26

17,5 x 30 x 4 mm

22 x 37 x 4 mm

32 mm

8 x 38 mm

M10 x 50; 10,9

M6 x 35;4,8

37 mm

M16 x 170; 10.9

M20 x 180; 10.9

Consists Of: 334055A1,35 - 37

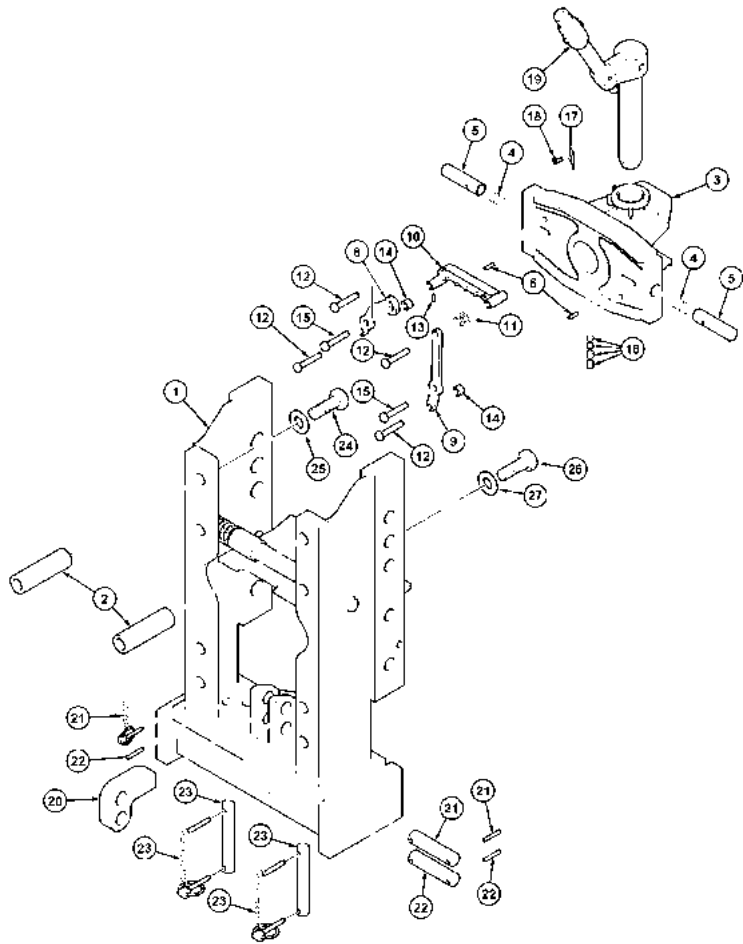
9 - Chassis / Attachments

9 -
169

TRAILER HITCH - PITON FIXE

XTX Series XTX185, XTX200, XTX215 (2005-2007)

9169



1	710954A1		1	FRAME ASSY
2	310003A2		2	SPACER
3	428390A1		1	CLEVIS
4	141013A1		2	SPRING
5	141014A1		2	PIN
6	738-1516	● N.L.A. (2)	2	Pin
8	141016A1		1	Bar
9	141017A1		1	Bar
10	141018A1		1	Handle
11	141019A1		1	Spring
12	141020A1		4	Pin
13	738-1516	● N.L.A. (1)	1	Pin
14	141021A1		2	Spacer
15	141022A1	● N.L.S. (2)	2	Pin
16	177336A1	● 1534047C1 (1)	1	Brake Assy
17	NSS		1	Plate
18	906028R1		2	Pin
19	333336A1		1	Pin Assy
20	141035A2		1	DEVICE
21	141036A1		1	TRACK
22	141038A1		1	TRACK
23	139129A2		2	TRACK
24	828-20180		2	SCREW
25	896-11020		2	WASHER
26	827-16170	● 3685359X1 (6)	6	SCREW

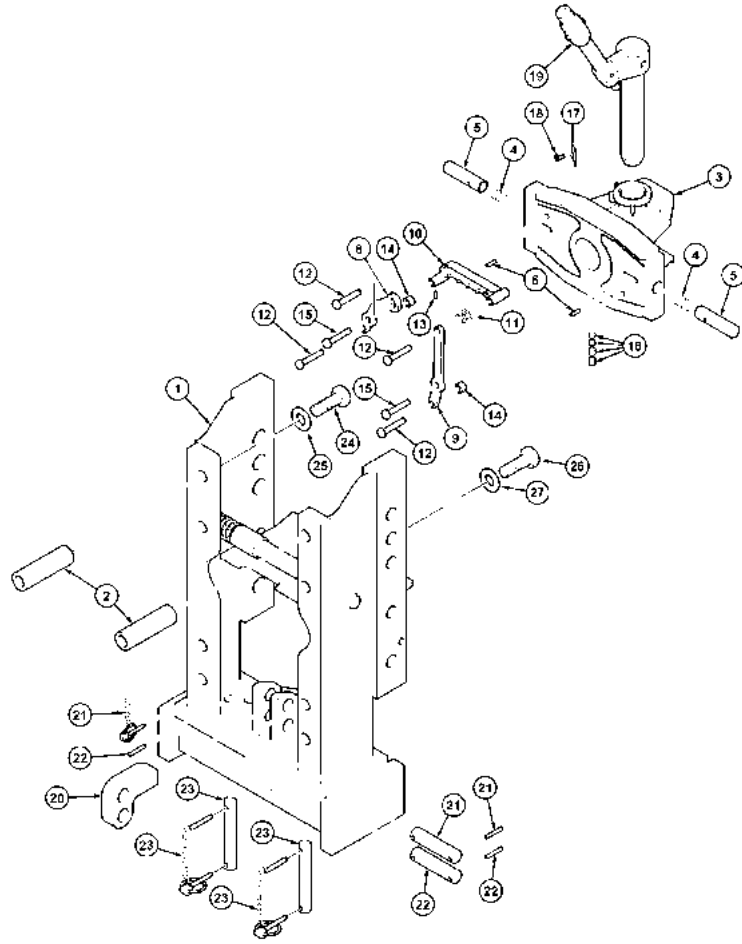
9 - Chassis / Attachments

9 -
169

TRAILER HITCH - PITON FIXE

XTX Series XTX185, XTX200, XTX215 (2005-2007)

9169



27 896-11016 ● 3019575X1 (6) 6 WASHER

17,5 x 30 x 4 mm

22 x 37 x 4 mm

5 x 16 mm

M16 x 170; 10.9

M20 x 180; 10.9

Includes: 4 - 18

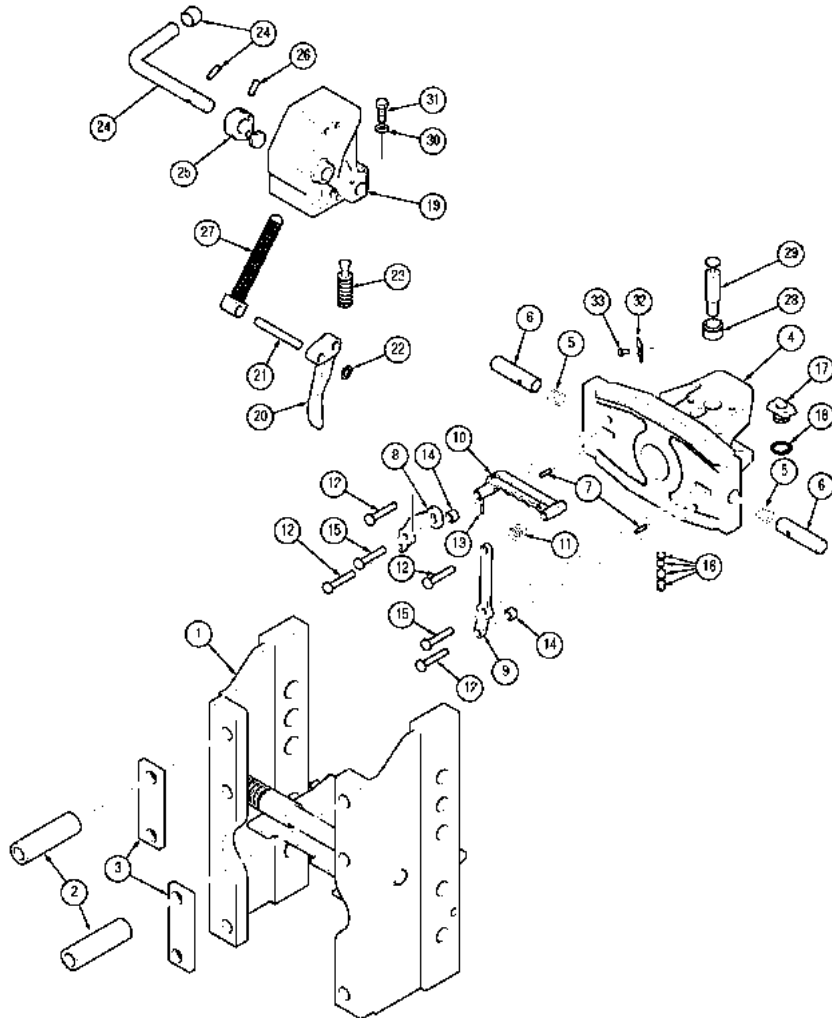
9 - Chassis / Attachments

9 -
171

TRAILER HITCH WITH AUTOMATIC CLEVIS

XTX Series XTX185, XTX200, XTX215 (2005-2007)

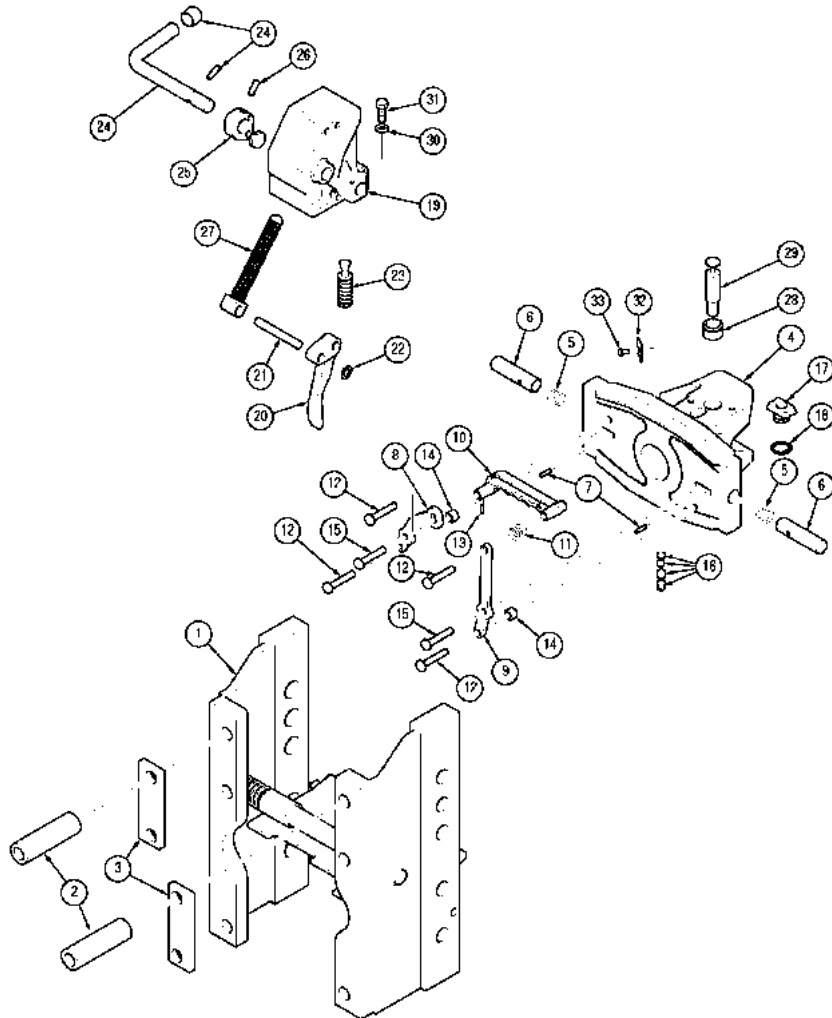
9171



- | | | | | |
|----|----------|-----------------|---|------------|
| 1 | 710952A1 | | 1 | FRAME ASSY |
| 2 | 310003A2 | | 2 | SPACER |
| 3 | 310011A1 | | 2 | SPACER |
| 4 | 310006A2 | ● 428395A1 (1) | 1 | Clevis |
| 5 | 141013A1 | | 2 | SPRING |
| 6 | 141014A1 | | 2 | PIN |
| 7 | 738-1516 | ● N.L.A. (2) | 2 | Pin |
| 8 | 141015A1 | | 1 | HANDLE |
| 8 | 141016A1 | | 1 | Bar |
| 9 | 141017A1 | | 1 | Bar |
| 10 | 141018A1 | | 1 | Handle |
| 11 | 141019A1 | | 1 | Spring |
| 12 | 141020A1 | | 4 | Pin |
| 13 | 738-1516 | ● N.L.A. (1) | 1 | Pin |
| 14 | 141021A1 | | 2 | Spacer |
| 15 | 141022A1 | ● N.L.S. (2) | 2 | Pin |
| 16 | 177336A1 | ● 1534047C1 (1) | 1 | Brake Assy |
| 17 | 310112A1 | | 1 | BUSH |
| 18 | 800-5140 | | 1 | RING |
| 19 | 310187A2 | | 1 | CRANKCASE |

XTX Series XTX185, XTX200, XTX215 (2005-2007)

9171



- | | | | |
|----|-----------|---|------------|
| 20 | 310130A1 | 1 | Lever Assy |
| 21 | 310135A1 | 1 | Pin |
| 22 | 800-416 | 1 | RING |
| 23 | 310139A1 | 1 | PIN |
| 24 | 310147A1 | 1 | HANDLE |
| 25 | 310175A1 | 1 | Lever Assy |
| 26 | 838-5836 | 1 | CLEVIS PIN |
| 27 | 310181A1 | 1 | Pin Assy |
| 28 | 368551A1 | 1 | BUSH |
| 29 | 310186A1 | 1 | Pin, Hitch |
| 30 | 896-11010 | 2 | WASHER |
| 31 | 827-10050 | 2 | Screw |
| 32 | NSS | 1 | Plate |
| 33 | 906028R1 | 2 | Pin |

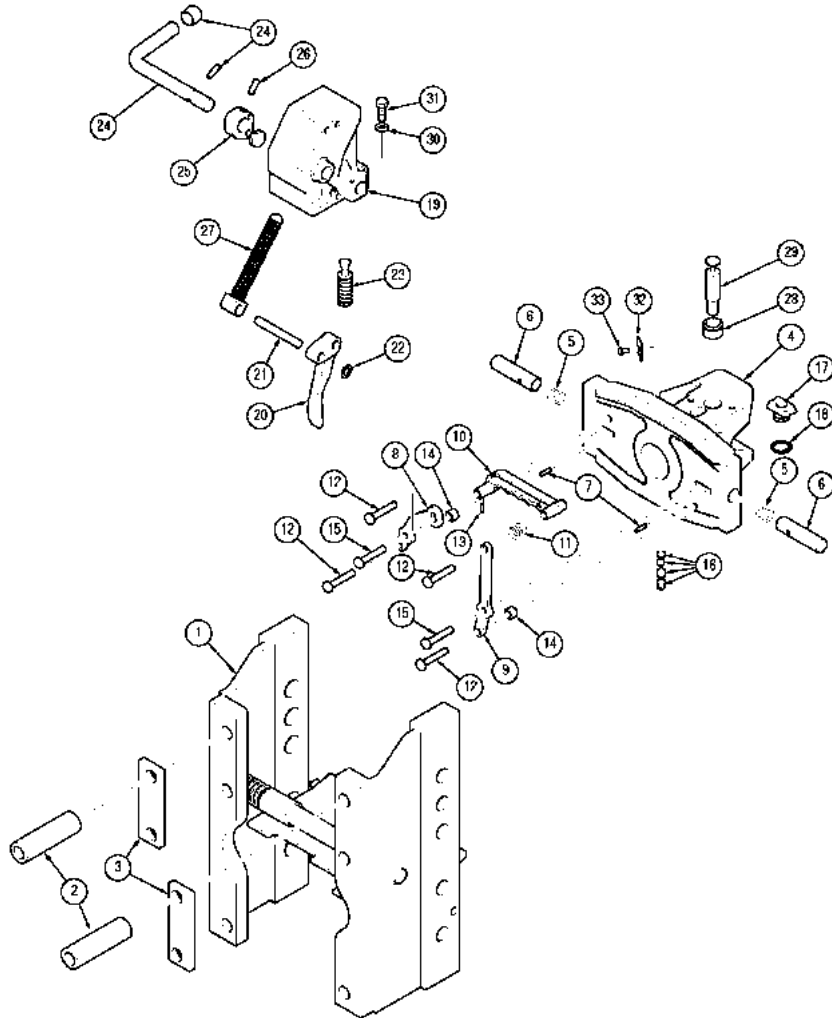
9 - Chassis / Attachments

9 -
171

TRAILER HITCH WITH AUTOMATIC CLEVIS

XTX Series XTX185, XTX200, XTX215 (2005-2007)

9171



Upper

LOWER

11 x 21 x 2,5 mm

Includes: 21,22

Includes: 26

32 mm

8 x 38 mm

5 x 16 mm

40x2.5 mm

M10 x 50; 10,9

37 mm

Includes: 20 - 28,29

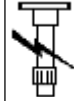
Consists Of: 141016A1,9 - 15

Includes: 5 - 33

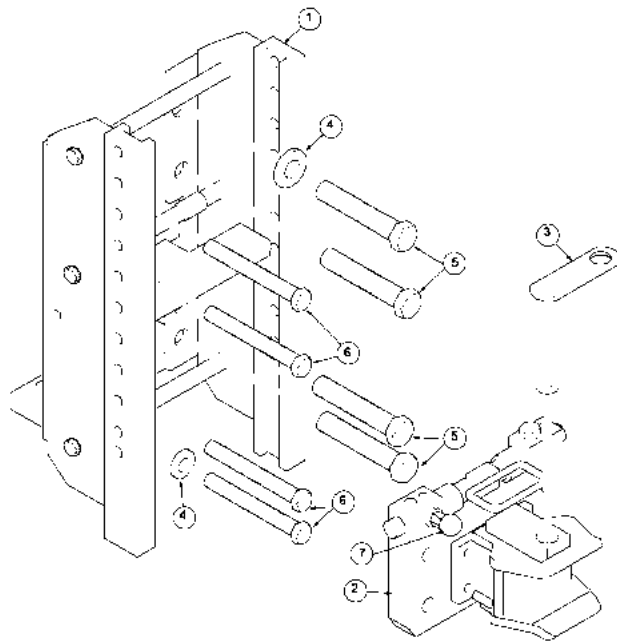
SHORT

D

XTX Series XTX185, XTX200, XTX215 (2005-2007)



9173



- | | | | | | |
|---|-----------|---|----------------|---|------------|
| 1 | 711008A1 | ● | 714898A1 (1) | 1 | FRAME ASSY |
| 2 | 435003A1 | ● | 3685716M92 (1) | 1 | HOOK |
| 3 | 428489A1 | | | 1 | TRUNNION |
| 4 | 896-12016 | | | 8 | WASHER |
| 5 | 828-16210 | | | 4 | BOLT |
| 6 | 827-16170 | ● | 3685359X1 (4) | 4 | SCREW |
| 7 | 3672892M1 | ! | 2 | 1 | RETAINER |
- 17,5 x 30 x 4 mm
28 mm
M16 x 170; 10.9
M16 x 210; 10.9
- ! THIS IS A COMPONENT OF AN ASSEMBLY

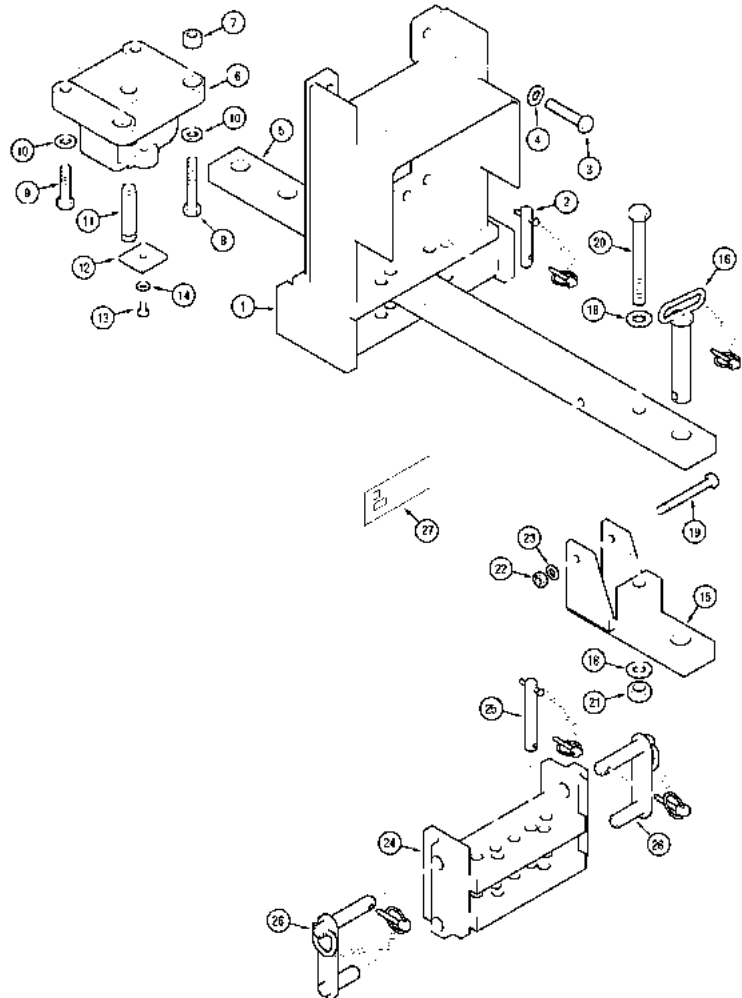
9 - Chassis / Attachments

9 -
175

DRAWBAR HAMMERSTRAP - Europe Only

XTX Series XTX185, XTX200, XTX215 (2005-2007)

9175



1	710955A1		1	Bracket
1	711363A1	● 4214784M92 (1)	1	SUPPORT
2	139129A2		2	TRACK
3	827-16170	● 3685359X1 (4)	4	SCREW
3	828-16210		4	BOLT
4	896-11016	● 3019575X1 (8)	8	WASHER
5	710519A2		1	BAR
6	232755A2		1	BRACE
7	1331722C1		2	Pin, Dowel
8	828-16080		2	BOLT
9	828-16065		2	BOLT
10	896-12016		4	WASHER
11	1982103C1		1	CLEVIS PIN
12	67828C1		1	THRUSTER
13	628-12035		1	BOLT
14	892-11012		1	WASHER

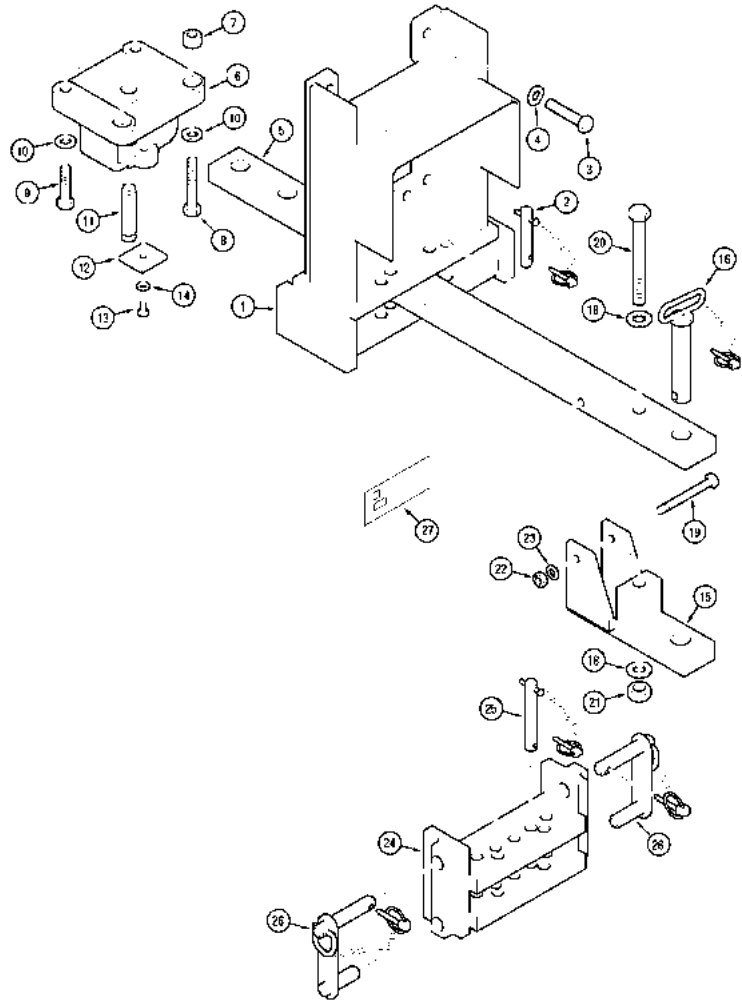
9 - Chassis / Attachments

9 -
175

DRAWBAR HAMMERSTRAP - Europe Only

XTX Series XTX185, XTX200, XTX215 (2005-2007)

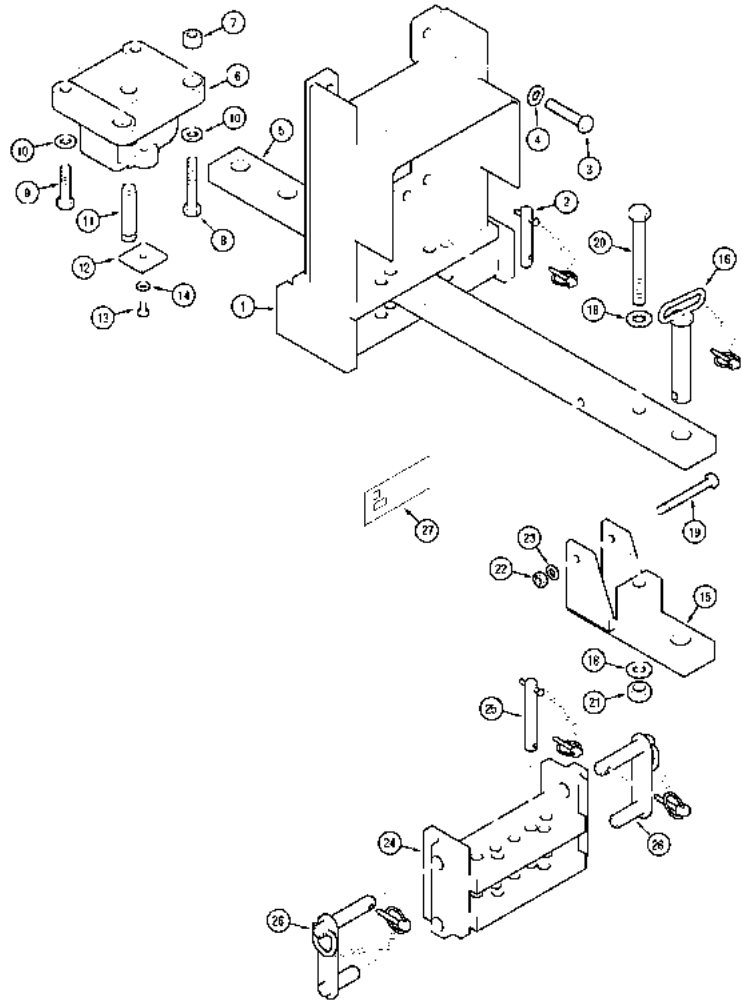
9175



- | | | | |
|----|-----------------|---|---------|
| 15 | 341026A1 | 1 | STRAP |
| 16 | 1974215C3 | 1 | TRACK |
| 18 | 896-11020 | 3 | WASHER |
| 19 | 827-12120 | 1 | BOLT |
| 20 | 827-20190 | 1 | SCREW |
| 21 | 829-1420 | 1 | NUT |
| 22 | 832-10412 | 1 | NUT FNS |
| 23 | 896-11012 | 1 | WASHER |
| | ● 3667437M1 (1) | | |
| 24 | 710956A1 | 1 | SUPPORT |
| 24 | NSS | 1 | Support |
| 25 | 139129A2 | 2 | TRACK |
| 26 | 175735A1 | 2 | TRACK |
| 27 | 447805A1 | 1 | DECAL |

XTX Series XTX185, XTX200, XTX215 (2005-2007)

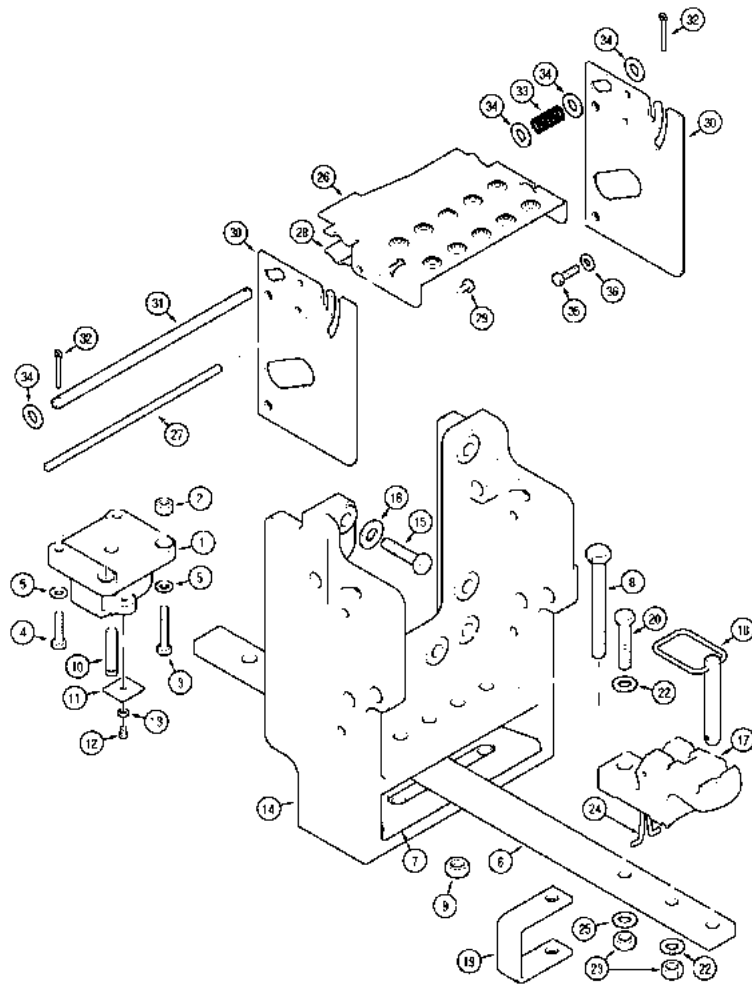
9175



- M12; 8
- Includes: 25,26
- Optional
- 12 mm
- 17,5 x 30 x 4 mm
- 22 x 37 x 4 mm
- 13.5 mm
- M16 x 80; 10,9
- M20; 10
- M12 x 35; 10,9
- M16 x 65; 10,9
- M16 x 170; 10.9
- Without Trailer Hitch
- M12 x 120; 10.9
- M20 x 190; 10.9
- M16 x 210; 10.9
- Grassi
- CRAMER

XTX Series XTX185, XTX200, XTX215 (2005-2007)

9177



- | | | | |
|----|-----------|---|------------|
| 1 | 232755A2 | 1 | BRACE |
| 2 | 1331722C1 | 2 | Pin, Dowel |
| 3 | 827-16080 | 2 | BOLT |
| 4 | 828-16060 | 2 | BOLT |
| 5 | 896-12016 | 4 | WASHER |
| 6 | 436798A1 | 1 | BAR PLATE |
| 7 | 436797A1 | 1 | PLATE |
| 8 | 827-16150 | 2 | BOLT |
| 9 | 832-10416 | 2 | NUT FNS |
| 10 | 1982103C1 | 1 | CLEVIS PIN |
| 11 | 67828C1 | 1 | THRUSTER |
| 12 | 627-12030 | 1 | SCREW |
| 13 | 892-11012 | 1 | WASHER |
| 14 | 229006A2 | 1 | SUPPORT |
| 15 | 828-16230 | 8 | BOLT |
| 16 | 896-12016 | 8 | WASHER |
| 17 | 232615A3 | 1 | STRAP |
| 18 | 232616A3 | 1 | Pin Assy |
| 19 | 233790A1 | 1 | SUPPORT |
| 20 | 827-20150 | 2 | SCREW |
| 22 | 896-11020 | 3 | WASHER |
| 23 | 829-1420 | 2 | NUT |

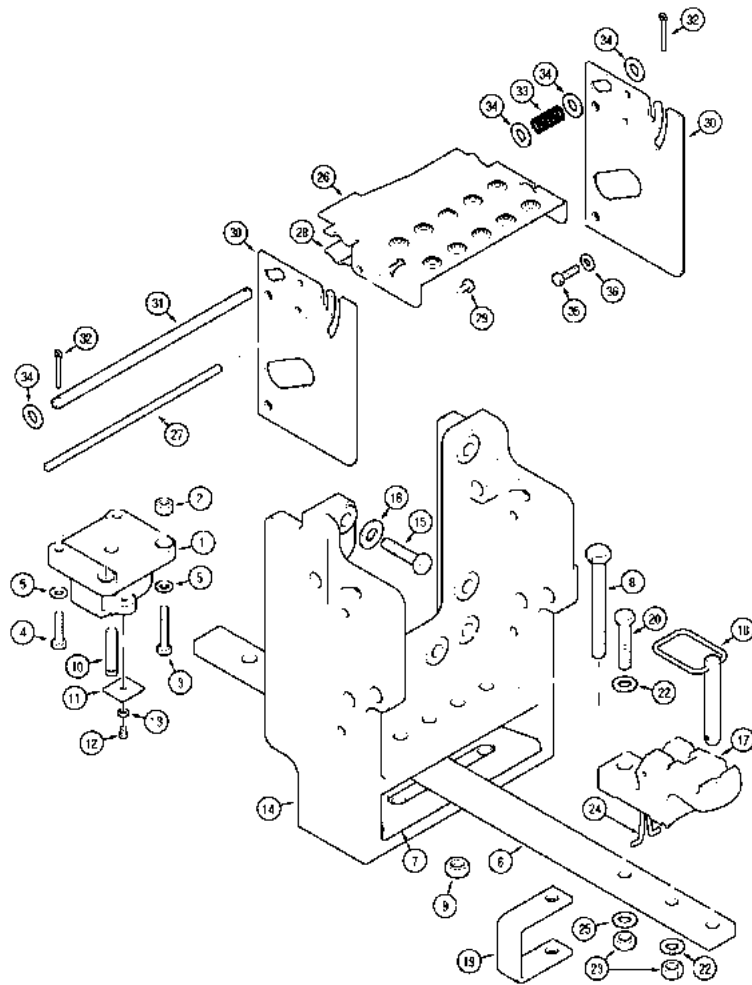
9 - Chassis / Attachments

9 -
177

DRAWBAR HAMMERSTRAP

XTX Series XTX185, XTX200, XTX215 (2005-2007)

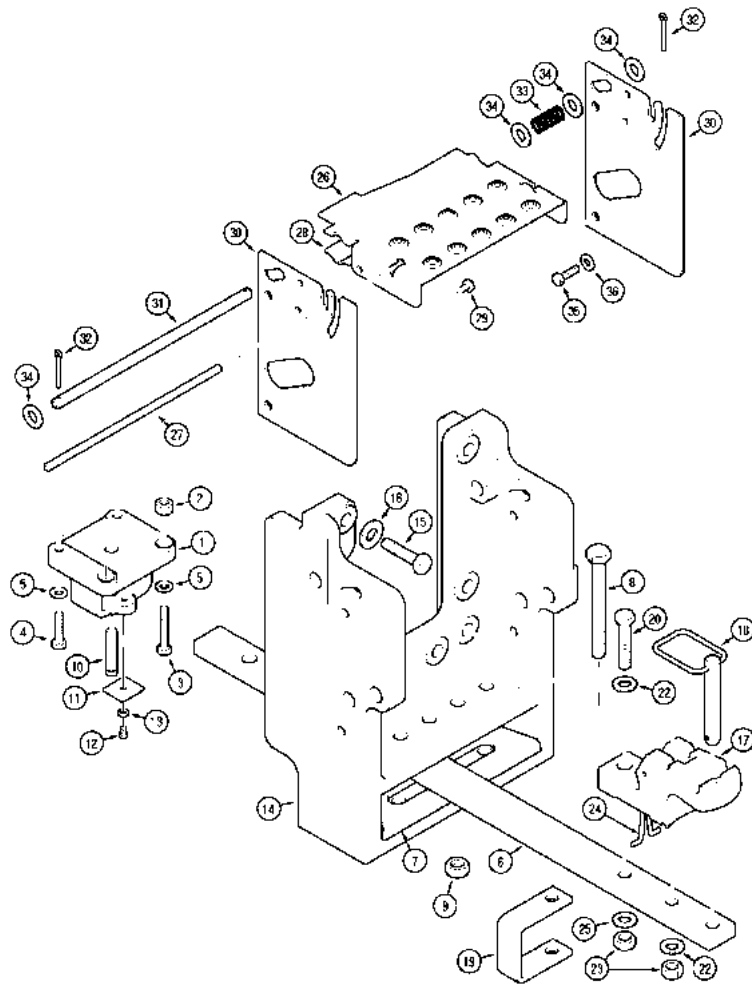
9177



- | | | | |
|----|-----------|---|---------|
| 24 | 232617A1 | 1 | DEVICE |
| 25 | 896-16020 | 0 | WASHER |
| 26 | 232114A3 | 1 | SHIELD |
| 27 | NSS | 1 | Rod |
| 28 | NSS | 1 | Bracket |
| 29 | NSS | 1 | Pin |
| 30 | 232192A2 | 2 | PLATE |
| 31 | 179658A2 | 1 | ROD |
| 32 | 733-5040 | 2 | PIN |
| 33 | 179657A2 | 1 | SPRING |
| 34 | 895-11016 | 4 | WASHER |
| 34 | 895-15016 | 4 | WASHER |
| 35 | 614-12025 | 4 | BOLT |
| 36 | 895-11012 | 4 | WASHER |

XTX Series XTX185, XTX200, XTX215 (2005-2007)

9177



- M12 x 30; 10,9
- 12 mm
- 17,5 x 30 x 4 mm
- M16; 8
- 17,5 x 30 x 3 mm
- 22 x 37 x 4 mm
- 5 x 40 mm
- M16 x 150; 10,9
- M16 x 80; 10,9
- 13,5 x 24 x 2,5 mm
- M20; 10
- P.T.O.
- 17,5 x 34 x 3 mm
- M12 x 25; 8,8
- M16 x 60; 10,9
- 22 x 44 x 5 mm
- M20 x 150; 10,9
- M16 x 230; 10,9
- Includes: 27 - 29

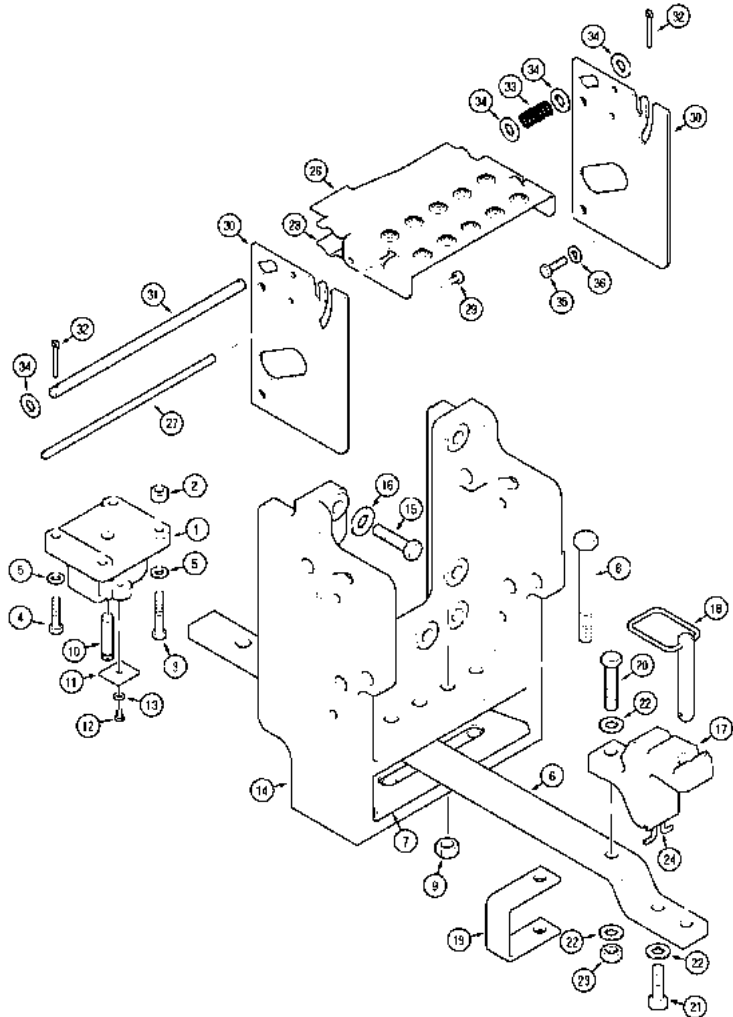
9 - Chassis / Attachments

9 -
179

DRAWBAR HAMMERSTRAP - If So Equipped

XTX Series XTX185, XTX200, XTX215 (2005-2007)

9179



- | | | | |
|----|-----------|---|------------|
| 1 | 232755A2 | 1 | BRACE |
| 2 | 1331722C1 | 2 | Pin, Dowel |
| 3 | 827-16080 | 2 | BOLT |
| 4 | 828-16065 | 2 | BOLT |
| 5 | 896-12016 | 4 | WASHER |
| 6 | 228476A1 | 1 | Bar |
| 7 | 436797A1 | 1 | PLATE |
| 8 | 827-16150 | 2 | BOLT |
| 9 | 832-10416 | 2 | NUT FNS |
| 10 | 1982103C1 | 1 | CLEVIS PIN |
| 11 | 67828C1 | 1 | THRUSTER |
| 12 | 627-12030 | 1 | SCREW |
| 13 | 892-11012 | 1 | WASHER |
| 14 | 229006A2 | 1 | SUPPORT |
| 15 | 828-16230 | 8 | BOLT |
| 16 | 896-12016 | 8 | WASHER |
| 17 | 246895A1 | 1 | Strap |
| 18 | 232616A3 | 1 | Pin Assy |
| 19 | 233790A1 | 1 | SUPPORT |
| 20 | 827-20130 | 1 | SCREW |
| 21 | 827-20100 | 1 | SCREW |
| 22 | 896-11020 | 3 | WASHER |

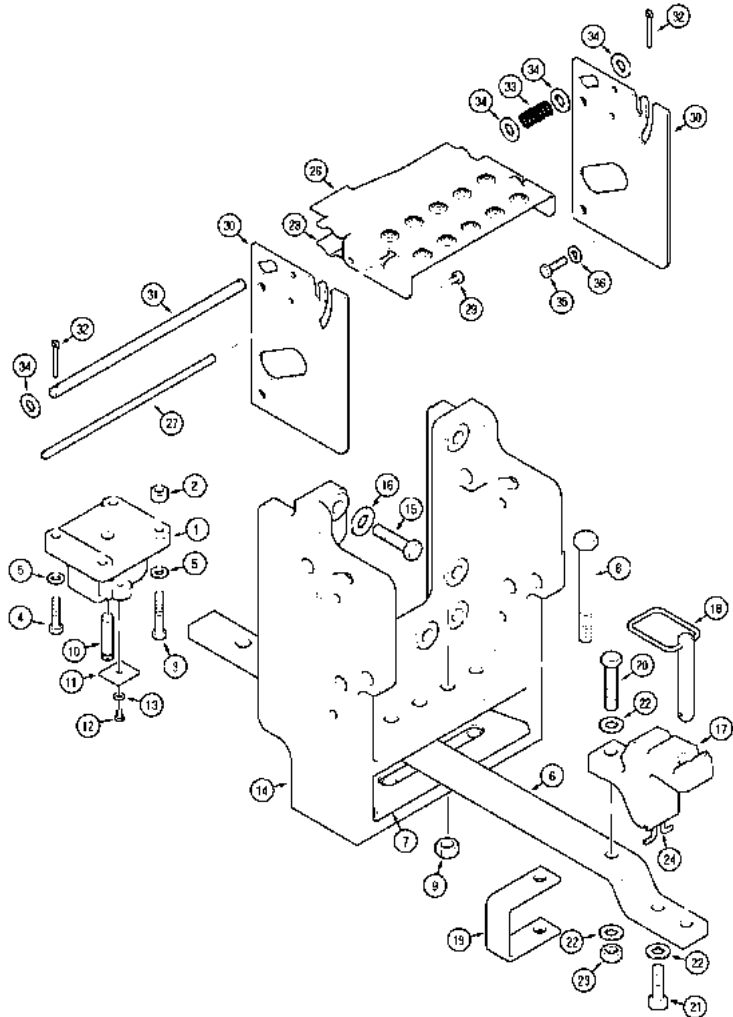
9 - Chassis / Attachments

9 -
179

DRAWBAR HAMMERSTRAP - If So Equipped

XTX Series XTX185, XTX200, XTX215 (2005-2007)

9179



- 23 829-1420
- 24 232617A1
- 26 232114A3
- 27 NSS
- 28 NSS
- 29 NSS
- 30 232192A2
- 31 179658A2
- 32 733-5040
- 33 179657A2
- 34 895-11016
- 34 895-15016
- 35 614-12025
- 36 895-11012

- 1 NUT
- 1 DEVICE
- 1 SHIELD
- 1 Rod
- 1 Bracket
- 1 Pin
- 2 PLATE
- 1 ROD
- 2 PIN
- 1 SPRING
- 4 WASHER
- 4 WASHER
- 4 BOLT
- 4 WASHER

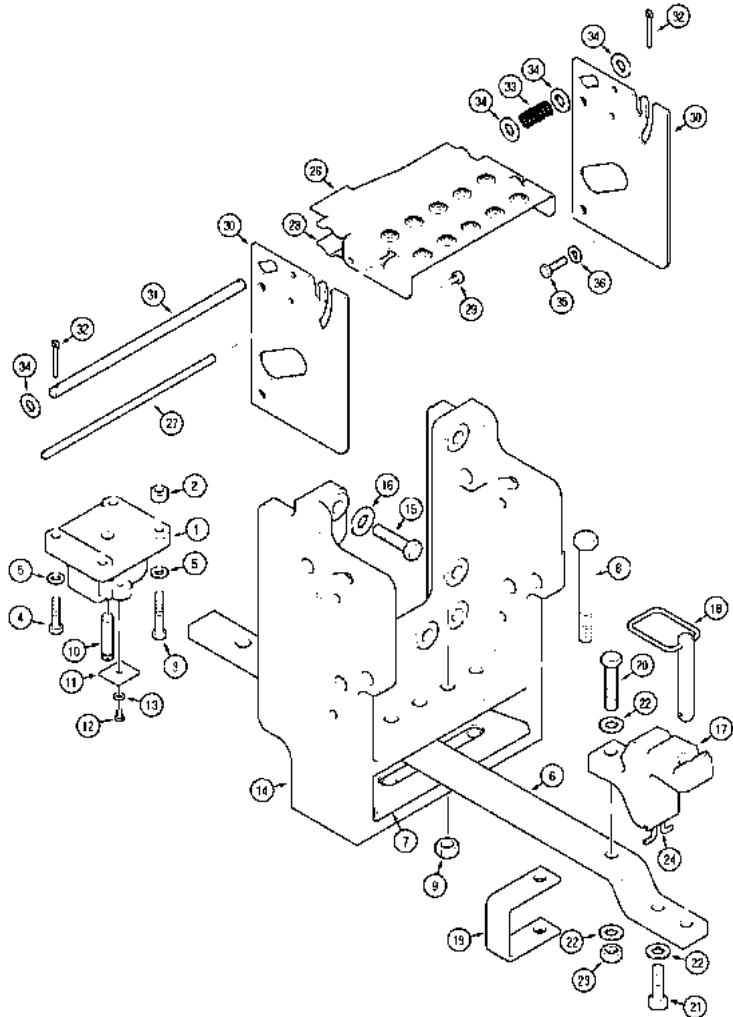
9 - Chassis / Attachments

9 -
179

DRAWBAR HAMMERSTRAP - If So Equipped

XTX Series XTX185, XTX200, XTX215 (2005-2007)

9179



- M12 x 30; 10,9
- 12 mm
- 17,5 x 30 x 4 mm
- M16; 8
- 17,5 x 30 x 3 mm
- 22 x 37 x 4 mm
- 5 x 40 mm
- M16 x 150; 10,9
- M16 x 80; 10,9
- 13,5 x 24 x 2,5 mm
- M20; 10
- P.T.O.
- 17,5 x 34 x 3 mm
- M12 x 25; 8,8
- M16 x 65; 10,9
- M16 x 230; 10,9
- Includes: 27 - 29
- M20 x 130; 10,9
- M20 x 100

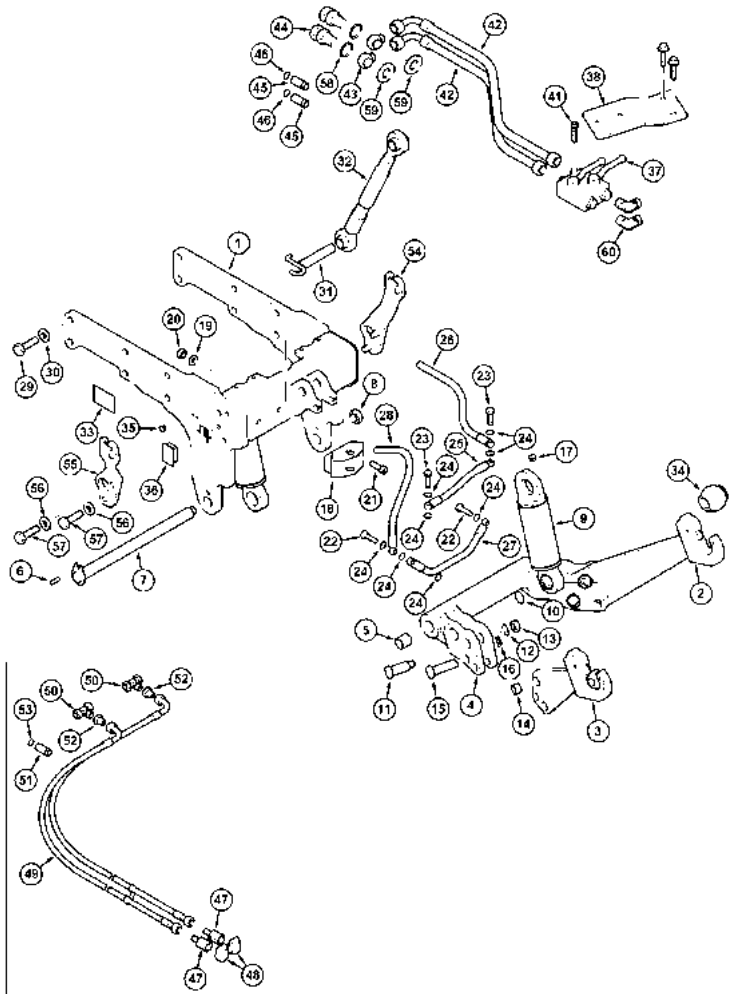
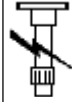
9 - Chassis / Attachments

9 -
181

THREE POINT HITCH - FRONT - Zuidberg

XTX Series XTX185, XTX200, XTX215 (2005-2007)

9181



- | | | | |
|----|-----------------|---|---------------|
| 1 | 712029A1 | 1 | FRAME ASSY |
| 2 | 712030A1 | 1 | Link, Lower |
| 3 | 712031A1 | 1 | Link, Lower |
| 4 | 712032A1 | 1 | Bracket Assy |
| 5 | 712033A1 | 2 | Bushing |
| 6 | 712034A1 | 1 | Pin |
| 7 | 712035A1 | 1 | Shaft |
| 8 | 712036A1 | 1 | NUT |
| 9 | 712037A1 | 2 | Cylinder Assy |
| 10 | 712038A1 | 4 | Ring, Reta |
| 11 | 712039A1 | 2 | Pin |
| 12 | 712040A1 | 2 | Washer |
| 13 | 712041A1 | 2 | NUT |
| 14 | 712042A1 | 2 | Bushing |
| 15 | 712043A1 | 2 | Pin |
| 16 | 712044A1 | 2 | CLIP |
| 17 | 712045A1 | 2 | Plug |
| 18 | 712046A1 | 1 | HOOK |
| 19 | 896-11016 | 2 | WASHER |
| | ● 3019575X1 (2) | | |
| 20 | 829-1416 | 2 | NUT |
| 21 | 864-16040 | 2 | SCREW |
| 22 | 712047A1 | 2 | Bolt, Banjo |

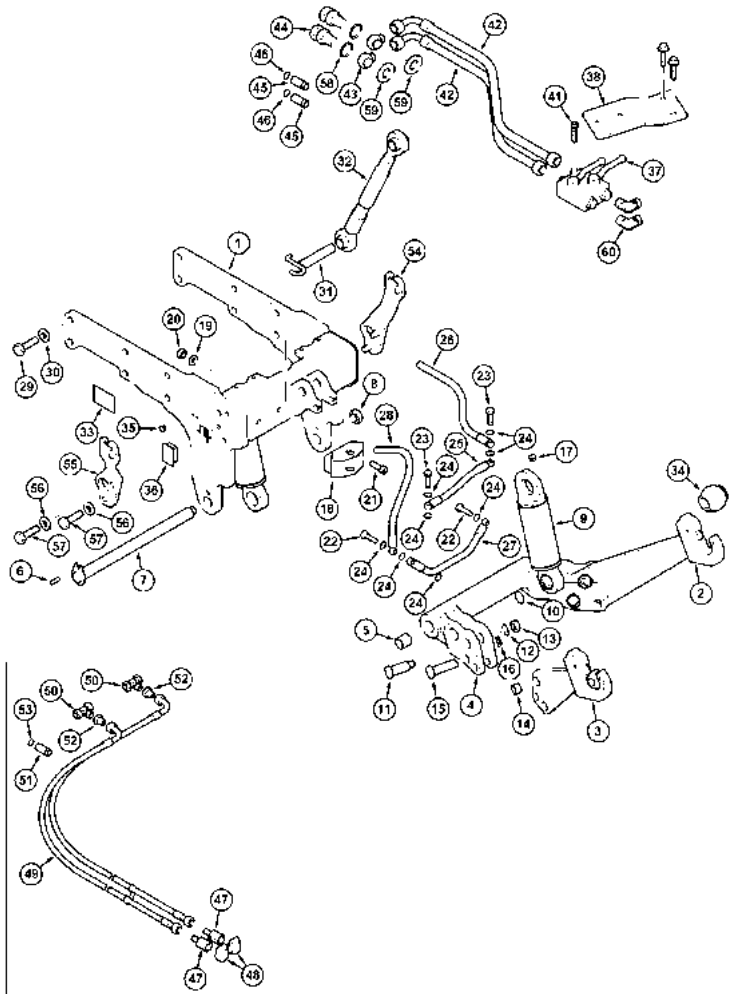
9 - Chassis / Attachments

9 -
181

THREE POINT HITCH - FRONT - Zuidberg

XTX Series XTX185, XTX200, XTX215 (2005-2007)

9181



- | | | | |
|----|-----------|-----------------|---------------|
| 23 | 712048A1 | | 2 Bolt, Banjo |
| 24 | 712049A1 | | 10 Seal |
| 25 | 712050A1 | | 1 Hose Assy |
| 26 | 712051A1 | ● 6501829M1 (1) | 1 Hose Assy |
| 27 | 712052A1 | | 1 Hose Assy |
| 28 | 712053A1 | | 1 Hose Assy |
| 29 | 614-20060 | | 12 BOLT |
| 30 | 712028A1 | | 20 Washer |
| 31 | 711548A1 | | 1 Pin |
| 32 | 711547A1 | | 1 LINK |
| 33 | 712025A1 | | 1 DECAL |
| 34 | 321081A1 | ● 3300332M1 (2) | 2 BALL |
| 35 | 712026A1 | | 4 Plug |
| 36 | 712027A1 | | 2 HOLDER |

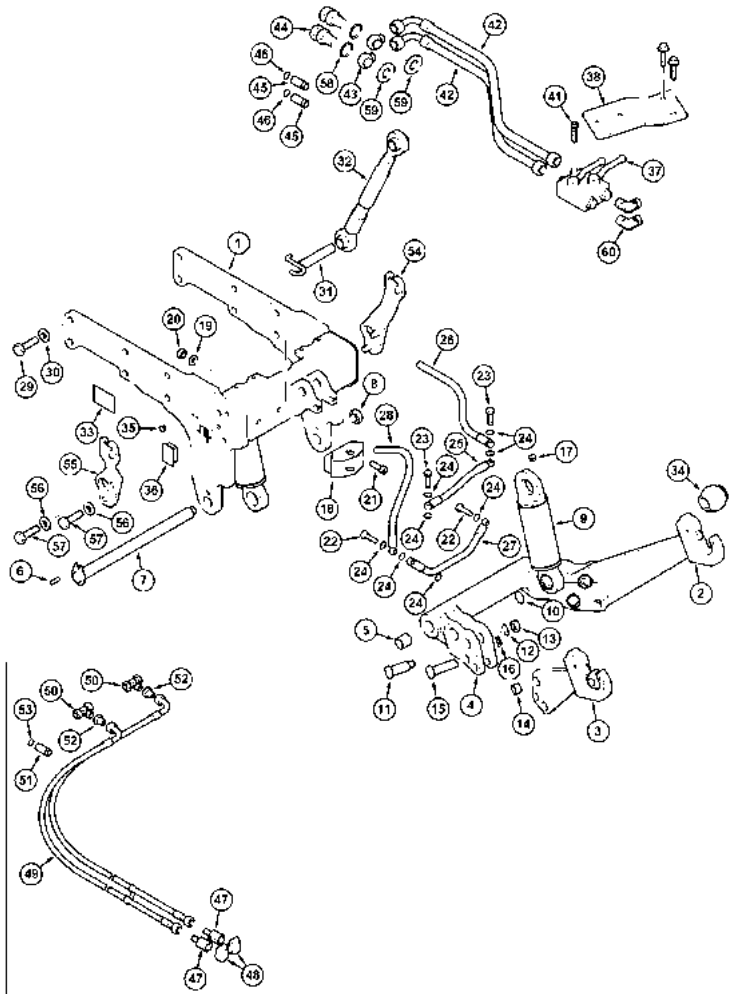
9 - Chassis / Attachments

9 -
181

THREE POINT HITCH - FRONT - Zuidberg

XTX Series XTX185, XTX200, XTX215 (2005-2007)

9181



Left

Right

M16

17,5 x 30 x 4 mm

M16; 10

400 mm

M20 x 60

M30

275 mm

See Page(s): 8-87

M33

3500kg

M16 x 40; 8.8

4500 mm

5000 mm

CONTINUED

B

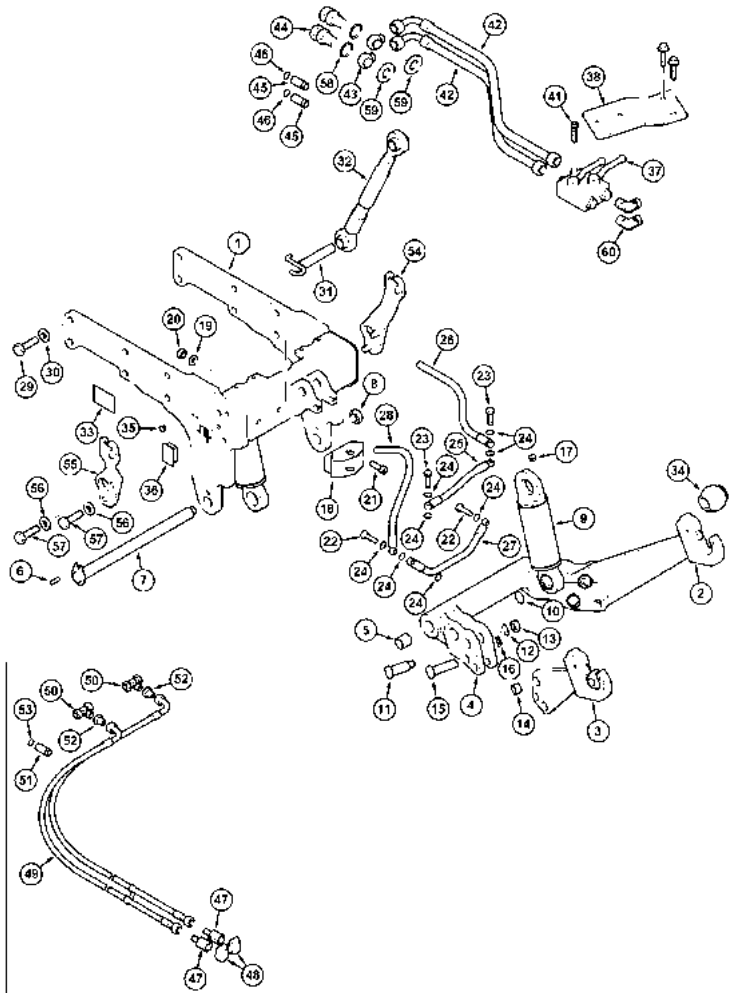
9 - Chassis / Attachments

9 -
183

THREE POINT HITCH - FRONT - Zuidberg

XTX Series XTX185, XTX200, XTX215 (2005-2007)

9183



- | | | | | | |
|----|----------|---|----------------|---|-------------|
| 37 | 712018A1 | ● | 6509563M92 (1) | 1 | Valve Assy |
| 38 | 712936A1 | | | 1 | Bracket |
| 41 | 864-8040 | | | 2 | SCREW |
| 42 | 712648A1 | ● | 6501830M1 (2) | 2 | Hose Assy |
| 43 | 712646A1 | | | 2 | Bolt, Banjo |
| 44 | 712647A1 | | | 2 | COUPLING |
| 45 | 712022A1 | | | 2 | COUPLING |
| 46 | 712024A1 | | | 2 | CAP |
| 47 | 712063A1 | | | 2 | COUPLING |
| 48 | 712064A1 | | | 2 | CAP |
| 49 | 713301A1 | | | 2 | Hose Assy |
| 50 | 712021A1 | | | 2 | Tee |
| 51 | 712022A1 | | | 2 | COUPLING |
| 52 | 712023A1 | | | 2 | CONNECTOR |
| 53 | 712024A1 | | | 2 | CAP |
| 54 | 712158A1 | | | 1 | Bracket |
| 55 | 712159A1 | | | 1 | Bracket |
| 56 | 712028A1 | | | 4 | Washer |
| 57 | 712160A1 | | | 4 | BOLT |
| 58 | 712644A1 | | | 2 | Seal |
| 59 | 712645A1 | | | 2 | Washer |
| 60 | 712980A1 | ● | 712287A1 (2) | 2 | ELBOW |

Left

Right

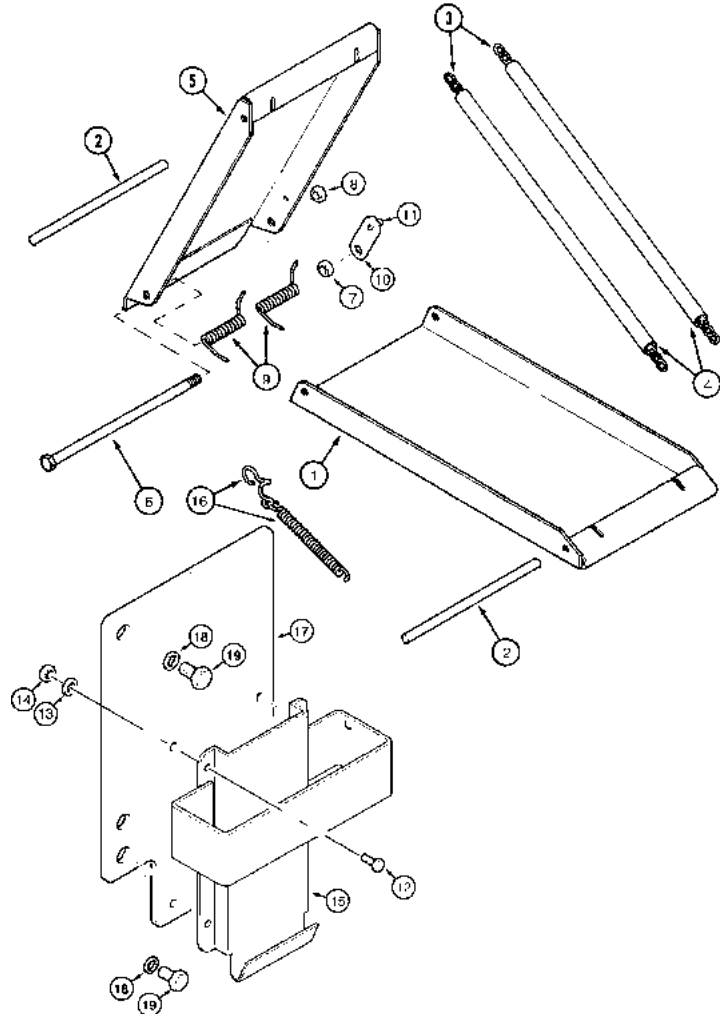
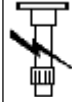
M8 x 40

700 mm

M20 x 45

XTX Series XTX185, XTX200, XTX215 (2005-2007)

9185



- | | | | |
|----|------------|---|--------------|
| 1 | 418692A1 | 1 | WEDGE |
| 2 | NSS | 2 | Pin |
| 3 | 3216772R1 | 2 | Chain |
| 4 | 3216773R1 | 2 | Hose |
| 5 | NSS | 1 | Wedge |
| 6 | 814-10220 | 1 | Bolt |
| 7 | 825-1410 | 1 | NUT |
| 8 | 832-46410 | 1 | NUT |
| 9 | 3229529R1 | 2 | Spring |
| 10 | 3216768R91 | 1 | PANEL |
| 11 | NSS | 1 | Pin |
| 12 | 614-8020 | 4 | SCREW |
| 13 | 895-11008 | 0 | WASHER |
| 14 | 832-10408 | 4 | NUT FNS |
| 15 | 1970981C4 | 1 | Support Assy |
| 16 | 3216778R91 | 1 | SPRING |
| 17 | 301894A3 | 1 | PLATE |
| 18 | 895-11020 | 2 | WASHER |
| 19 | 627-20040 | 2 | BOLT |

Upper

M8; 8

9 x 17 x 1,6 mm

M8 x 20; 8,8

M10

M10; 8

Includes: 11

Consists Of: 2 - 11

M20 x 40; 10,9

M10 x 220

6 x 195 mm

22 x 37 x 3 mm

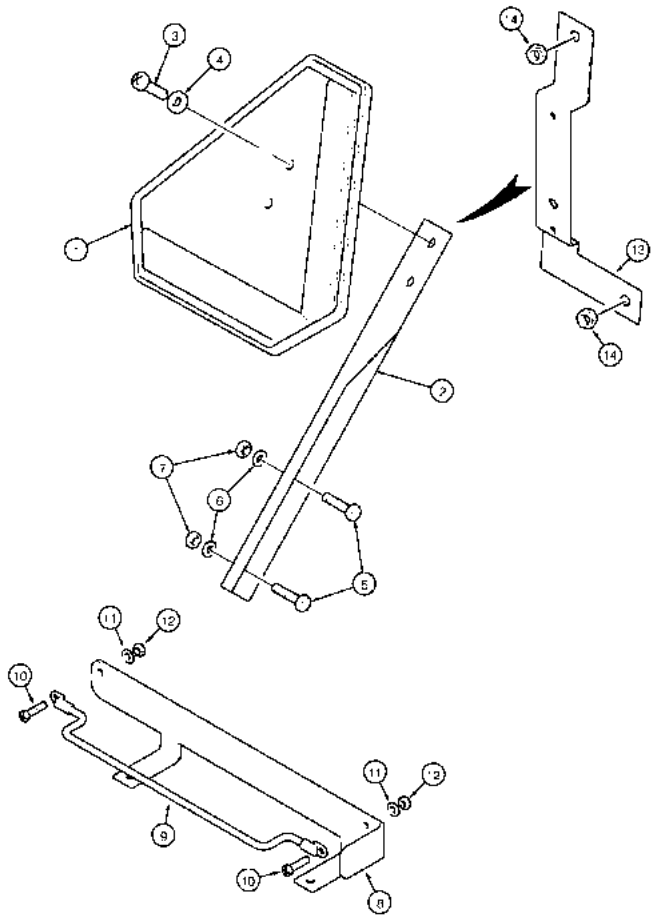
9 - Chassis / Attachments

9 -
187

WARNING TRIANGLE - SLOW MOVING VEHICLE

XTX Series XTX185, XTX200, XTX215 (2005-2007)

9187



- | | | | |
|----|-----------|---|-----------|
| 1 | 133273A1 | 1 | TRIANGLE |
| 1 | 311858A1 | 1 | Decal |
| 1 | 311859A1 | 1 | Plate |
| 1 | 311860A1 | 1 | TRADEMARK |
| 2 | 302328A1 | 1 | BRACE |
| 2 | 406678A1 | 1 | SUPPORT |
| 3 | 760-14413 | 2 | SCREW |
| 3 | 760-14416 | 2 | SCREW |
| 4 | 895-11005 | 2 | WASHER |
| 5 | 614-8020 | 2 | SCREW |
| 6 | 895-11008 | 2 | WASHER |
| 7 | 829-1408 | 2 | NUT |
| 8 | 313637A4 | 1 | PLATE |
| 9 | 278155A3 | 1 | CLAMP |
| 10 | 840-1516 | 2 | SCREW |
| 11 | 895-11005 | 2 | WASHER |

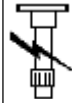
● 3687994M1 (1)

9 - Chassis / Attachments

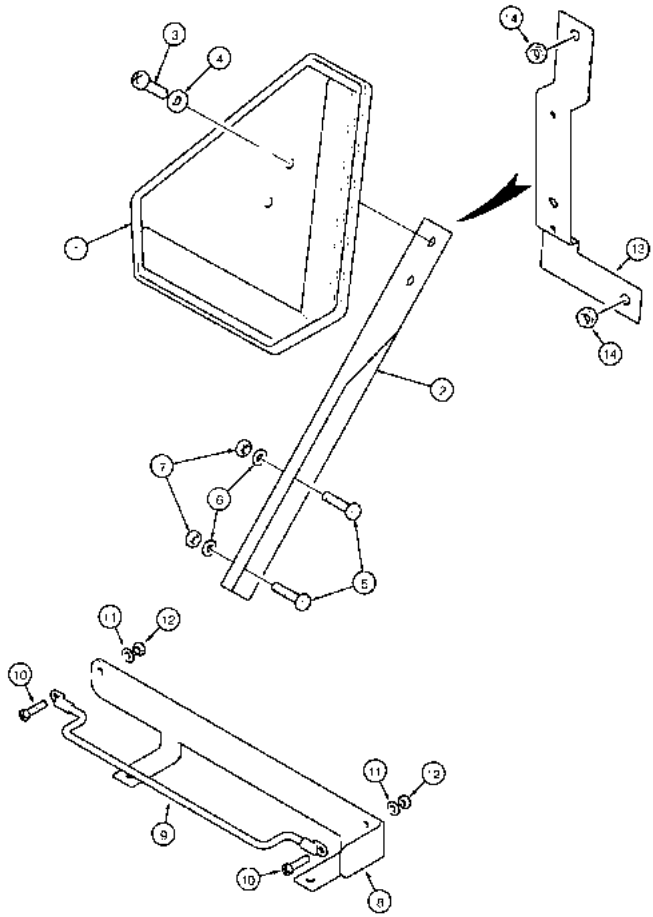
9 -
187

WARNING TRIANGLE - SLOW MOVING VEHICLE

XTX Series XTX185, XTX200, XTX215 (2005-2007)



9187



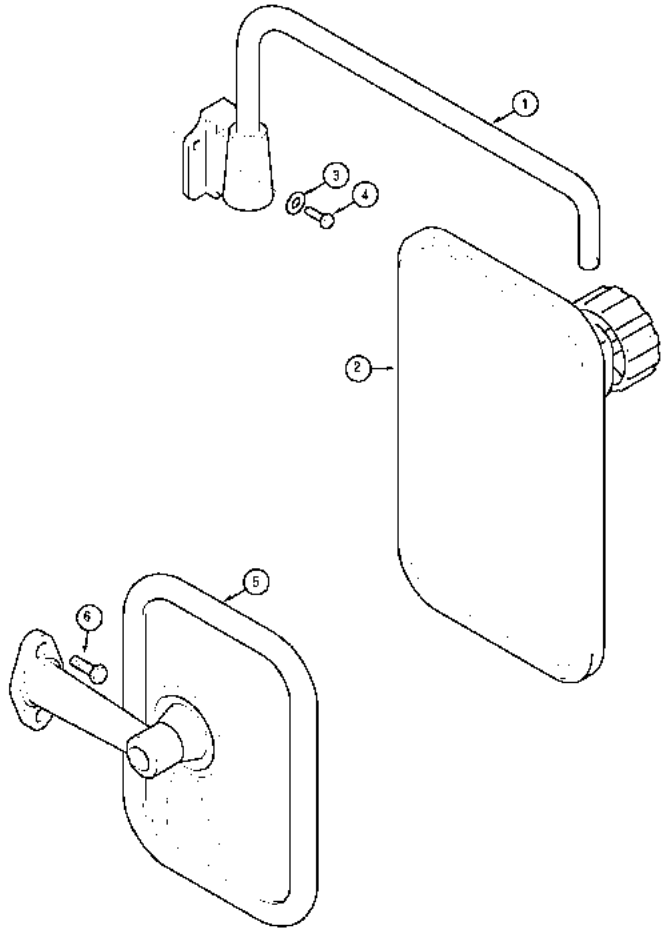
- 12 832-10405
- 13 704272A1
- 14 825-2408

- 2 NUT FNS
- 1 Bracket
- 2 NUT

M8; 8
9 x 17 x 1,6 mm
M8 x 20; 8,8
M5
M8; 10
5,5 x 10 x 1 mm
Europe Only
N.A. Only
4 x 16 mm
4,8 x 13 mm
M5 x 16; 4,8
SCANDINAVIAN
Consists Of: 311858A1,311859A1

XTX Series XTX185, XTX200, XTX215 (2005-2007)

9189



1	235995A1	1	ARM
1	235996A1	1	ARM
2	235994A1	2	MIRROR
3	895-11008	4	WASHER
4	514-633	4	SCREW
5	235992A1	1	MIRROR
6	779-34616	2	SCREW

9 x 17 x 1,6 mm

Left

Right

M8 x 30; 8,8

M6,3 x 16

A Post

Mirror - Inner

STANDARD

D

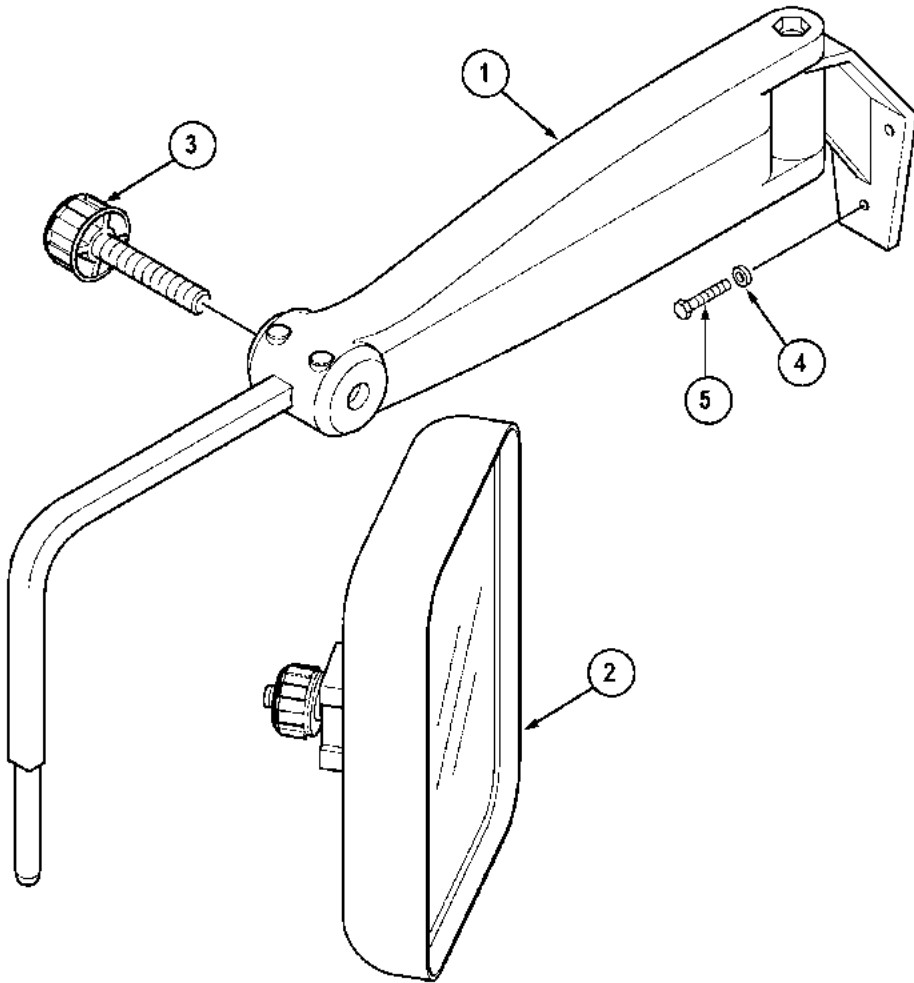
9 - Chassis / Attachments

9 -
191

EXTENDABLE MIRRORS

XTX Series XTX185, XTX200, XTX215 (2005-2007)

9191



- | | | | | | |
|---|-----------|---|--------------|---|-------------|
| 1 | 376952A1 | ● | 714972A1 (1) | 1 | ARM |
| 1 | 376953A1 | ● | 714971A1 (1) | 1 | ARM |
| 1 | 449097A1 | | | 1 | Arm Assy |
| 2 | 365414A1 | ● | 714969A1 (2) | 2 | MIRROR |
| 2 | 449095A1 | | | 1 | Mirror Assy |
| 2 | 449096A1 | ● | N.L.S. (1) | 1 | Mirror Assy |
| 3 | B508366 | | | 1 | GRIP |
| 4 | 895-11008 | | | 6 | WASHER |
| 5 | 514-633 | | | 6 | SCREW |

9 x 17 x 1,6 mm

Left

Right

M8 x 30; 8,8

Heated Mirrors

9 - Chassis / Attachments

9 -
193

DECALS

XTX Series XTX185, XTX200, XTX215 (2005-2007)



9193



XTX185 -2

XTX200 -3

XTX215 -4



Xtra Speed -5

Xtra Speed-E -6

Xtra Speed-E plus -7

- | | | | |
|---|----------|---|--------------|
| 1 | 433246A1 | 2 | LOCKNUT |
| 2 | 710215A1 | 2 | DECAL |
| 3 | 710216A1 | 2 | DECAL |
| 4 | 710217A1 | 2 | DECAL |
| 5 | 713259A1 | 2 | Decal, Model |
| 6 | 713191A1 | 2 | Decal, Model |
| 7 | 713192A1 | 2 | Decal, Model |
| 8 | 713628A1 | 2 | DECAL |

XTX185

XTX200

XTX215

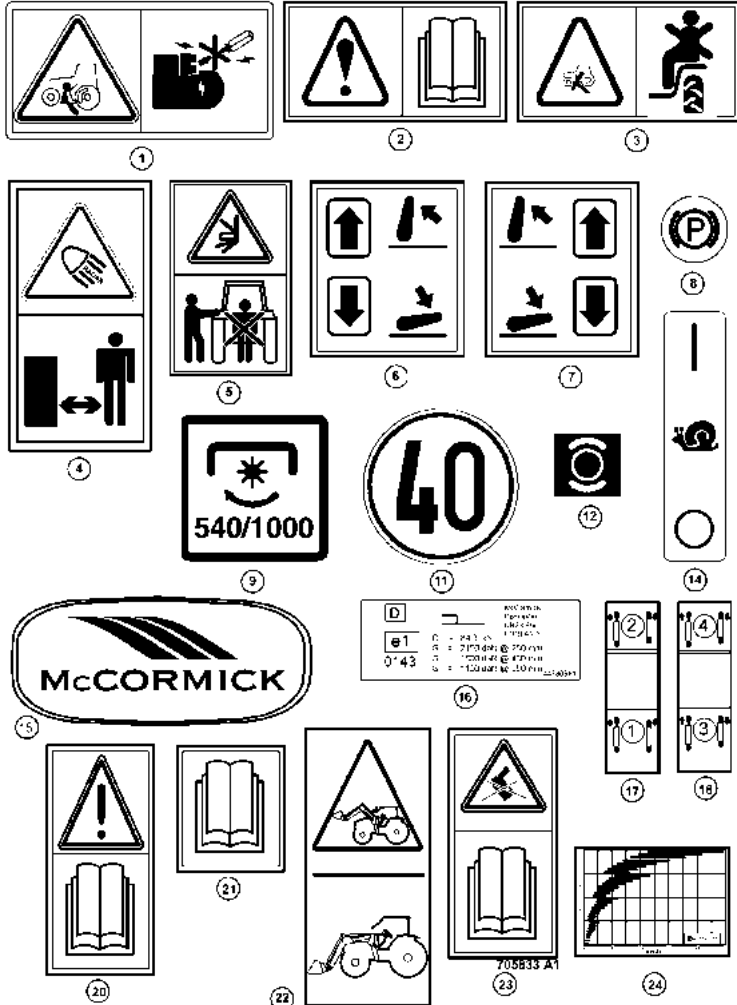
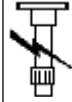
9 - Chassis / Attachments

9 -
195

DECALS

XTX Series XTX185, XTX200, XTX215 (2005-2007)

9195



- | | | | |
|----|--------------|---|---------|
| 1 | 180543A1 | 1 | DECAL |
| 2 | 711010A1 | 1 | DECAL |
| 3 | 711015A1 | 1 | DECAL |
| 4 | 249807A1 | 1 | DECAL |
| 5 | 400853A1 | 2 | DECAL |
| 6 | 400854A1 | 1 | DECAL |
| 7 | 400856A1 | 1 | DECAL |
| 8 | 1344282C1 | 1 | DECAL |
| 9 | 1092074R2 | 1 | LOCKNUT |
| 11 | 1532083C1 | 1 | DECAL |
| 12 | 1533489C1 | 1 | DECAL |
| 14 | 242749A1 | 1 | DECAL |
| 15 | 414436A2 | 1 | EMBLEM |
| 16 | 447805A1 | 1 | DECAL |
| 17 | 305144A1 | 1 | DECAL |
| 18 | 391805A1 | 1 | DECAL |
| 20 | 249806A1 | 1 | DECAL |
| | ● N.L.S. (1) | | |
| 21 | 711169A1 | 1 | DECAL |
| 22 | 281726A1 | 1 | DECAL |
| 23 | 705833A1 | 2 | DECAL |
| 24 | 712945A1 | 1 | DECAL |

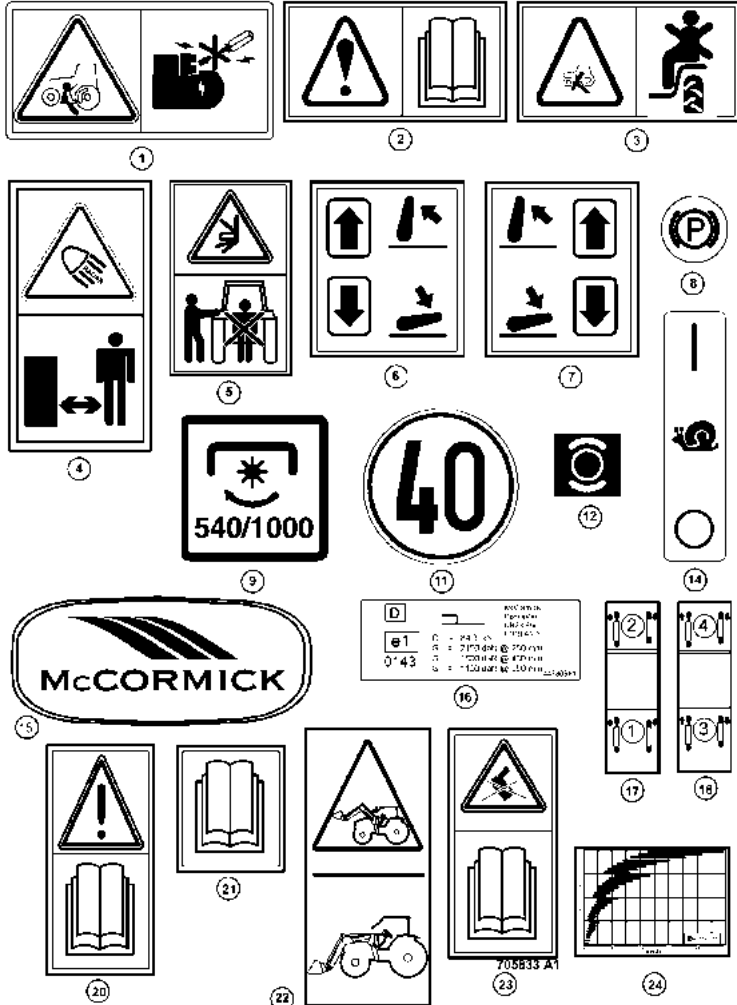
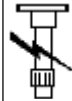
9 - Chassis / Attachments

9 -
195

DECALS

XTX Series XTX185, XTX200, XTX215 (2005-2007)

9195



24 713384A1

1 DECAL

Europe Only
SPEED
540/1000
40 KM/H
Not For N.A.
mph
km/h

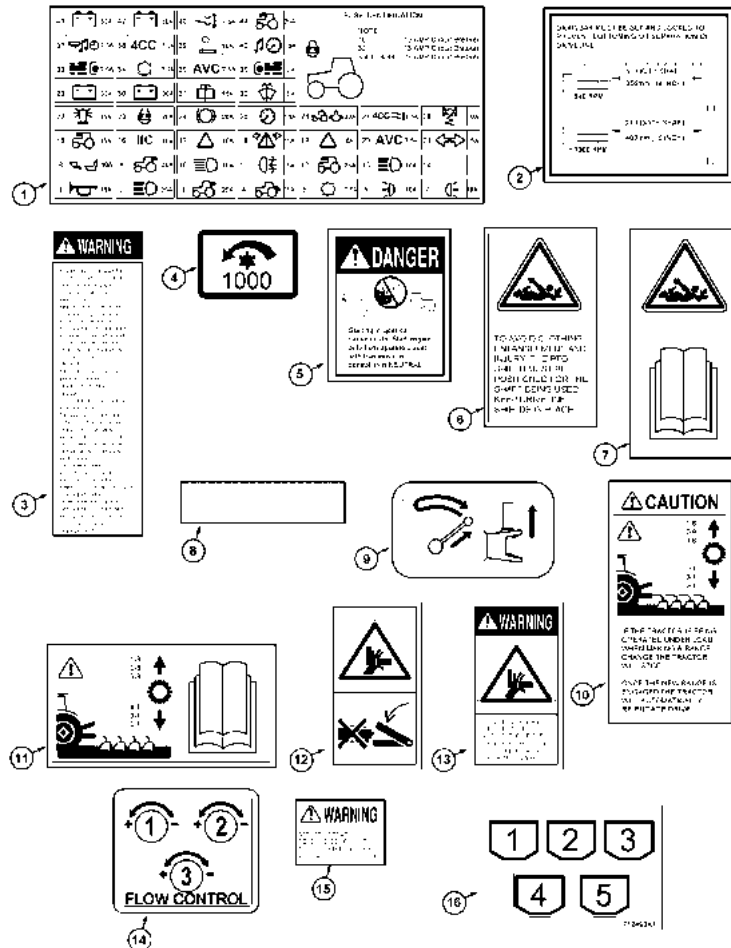
9 - Chassis / Attachments

9 -
197

DECALS

XTX Series XTX185, XTX200, XTX215 (2005-2007)

9197



- | | | | |
|----|-----------|---|-------|
| 1 | 710792A1 | 1 | DECAL |
| 2 | 250936A1 | 1 | DECAL |
| 2 | 400850A1 | 1 | DECAL |
| 3 | 305584A1 | 1 | DECAL |
| 3 | 305585A1 | 1 | DECAL |
| 4 | 1534713C1 | 1 | DECAL |
| 5 | 142002A1 | 1 | DECAL |
| 5 | 321-7040 | 1 | DECAL |
| 6 | 400848A1 | 1 | DECAL |
| 7 | 400855A1 | 1 | DECAL |
| 8 | 311863A1 | 2 | DECAL |
| 9 | 321078A1 | 1 | DECAL |
| 10 | 711012A1 | 1 | DECAL |
| 11 | 711011A1 | 1 | DECAL |

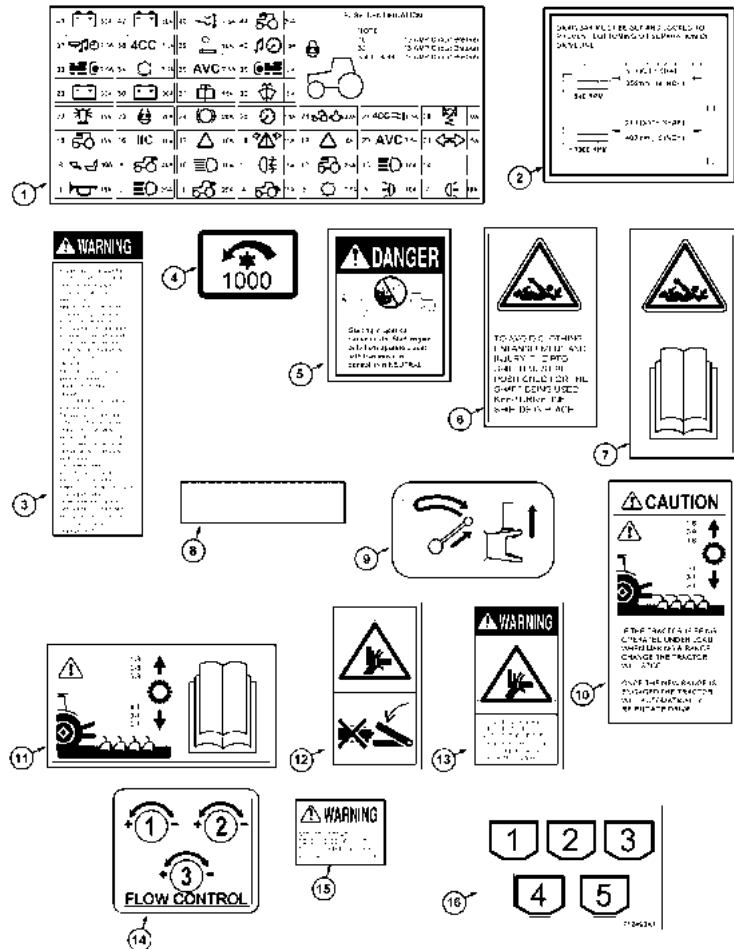
9 - Chassis / Attachments

9 -
197

DECALS

XTX Series XTX185, XTX200, XTX215 (2005-2007)

9197



- | | | | |
|----|-------------------------|---|------------|
| 12 | 708629A1 | 2 | Decal, War |
| 13 | 708630A1 | 2 | Decal, War |
| 14 | 702551A1 | 1 | DECAL |
| 15 | 711170A1 | 1 | DECAL |
| 15 | 711171A1 | 1 | DECAL |
| 16 | 712493A1 ● 712493A2 (1) | 1 | DECAL |

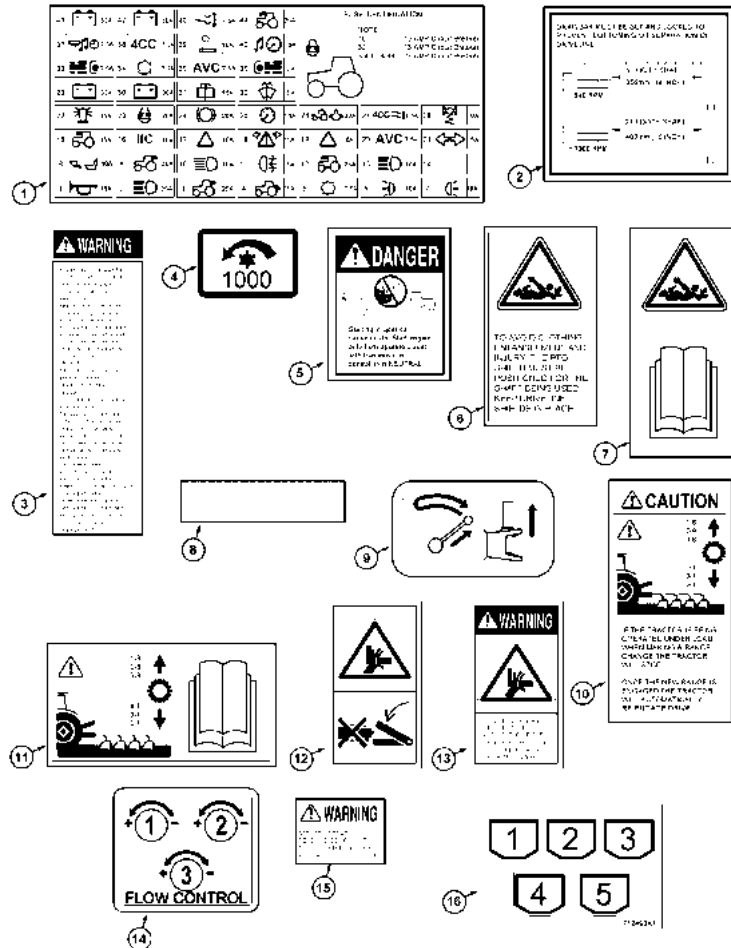
9 - Chassis / Attachments

9 -
197

DECALS

XTX Series XTX185, XTX200, XTX215 (2005-2007)

9197



- Europe Only
- N.A. Only
- English
- Flow Control
- Francais
- 1000
- Reflector
- Not For N.A.
- Cab Suspension
- GREEN: 1
- RED: 2
- BLUE: 3
- ORANGE: 4
- BLACK: 5

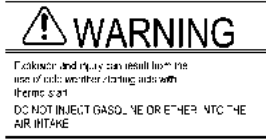
9 - Chassis / Attachments

9 -
199

DECALS - N.A. Only

XTX Series XTX185, XTX200, XTX215 (2005-2007)

9199



1



2



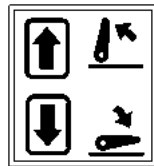
3



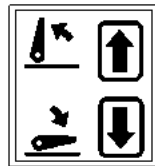
4



5



6



7

- 1 1985614C1
- 2 437063A1
- 3 436779A1
- 4 436780A1
- 5 400852A1
- 6 400851A1
- 7 400857A1

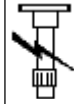
- 1 DECAL
- 1 DECAL
- 1 DECAL
- 1 DECAL
- 2 DECAL
- 1 DECAL
- 1 DECAL

Left
Right

9 - Chassis / Attachments

9 - 201

DECALS - Hitch Control



9201

XTX Series XTX185, XTX200, XTX215 (2005-2007)

Upper Limit Control	Upper Limit Control	Upper Limit Control
Use the control knob to set the upper limit of the hitch.	Use the control knob to set the upper limit of the hitch.	Use the control knob to set the upper limit of the hitch.
I. FAST	I. FAST	I. FAST

Upper Limit Control	Upper Limit Control	Upper Limit Control
Use the control knob to set the upper limit of the hitch.	Use the control knob to set the upper limit of the hitch.	Use the control knob to set the upper limit of the hitch.
I. FAST	I. FAST	I. FAST

Upper Limit Control	Upper Limit Control	Upper Limit Control
Use the control knob to set the upper limit of the hitch.	Use the control knob to set the upper limit of the hitch.	Use the control knob to set the upper limit of the hitch.
I. FAST	I. FAST	I. FAST

Upper Limit Control	Upper Limit Control	Upper Limit Control
Use the control knob to set the upper limit of the hitch.	Use the control knob to set the upper limit of the hitch.	Use the control knob to set the upper limit of the hitch.
I. FAST	I. FAST	I. FAST

Upper Limit Control	Upper Limit Control	Upper Limit Control
Use the control knob to set the upper limit of the hitch.	Use the control knob to set the upper limit of the hitch.	Use the control knob to set the upper limit of the hitch.
I. FAST	I. FAST	I. FAST

Upper Limit Control	Upper Limit Control	Upper Limit Control
Use the control knob to set the upper limit of the hitch.	Use the control knob to set the upper limit of the hitch.	Use the control knob to set the upper limit of the hitch.
I. FAST	I. FAST	I. FAST

Upper Limit Control	Upper Limit Control	Upper Limit Control
Use the control knob to set the upper limit of the hitch.	Use the control knob to set the upper limit of the hitch.	Use the control knob to set the upper limit of the hitch.
I. FAST	I. FAST	I. FAST

Upper Limit Control	Upper Limit Control	Upper Limit Control
Use the control knob to set the upper limit of the hitch.	Use the control knob to set the upper limit of the hitch.	Use the control knob to set the upper limit of the hitch.
I. FAST	I. FAST	I. FAST

Upper Limit Control	Upper Limit Control	Upper Limit Control
Use the control knob to set the upper limit of the hitch.	Use the control knob to set the upper limit of the hitch.	Use the control knob to set the upper limit of the hitch.
I. FAST	I. FAST	I. FAST

Upper Limit Control	Upper Limit Control	Upper Limit Control
Use the control knob to set the upper limit of the hitch.	Use the control knob to set the upper limit of the hitch.	Use the control knob to set the upper limit of the hitch.
I. FAST	I. FAST	I. FAST

Upper Limit Control	Upper Limit Control	Upper Limit Control
Use the control knob to set the upper limit of the hitch.	Use the control knob to set the upper limit of the hitch.	Use the control knob to set the upper limit of the hitch.
I. FAST	I. FAST	I. FAST

Upper Limit Control	Upper Limit Control	Upper Limit Control
Use the control knob to set the upper limit of the hitch.	Use the control knob to set the upper limit of the hitch.	Use the control knob to set the upper limit of the hitch.
I. FAST	I. FAST	I. FAST

Upper Limit Control	Upper Limit Control	Upper Limit Control
Use the control knob to set the upper limit of the hitch.	Use the control knob to set the upper limit of the hitch.	Use the control knob to set the upper limit of the hitch.
I. FAST	I. FAST	I. FAST

- 1 314906A1
- 1 314907A1
- 1 314909A1
- 1 314910A1
- 1 314911A1
- 1 314913A1
- 1 314914A1
- 1 314915A1
- 1 314916A1
- 1 314917A1
- 1 314918A1
- 1 314919A1
- 1 328572A1

- 1 DECAL
- 1 DECAL
- 1 DECAL
- 1 DECAL
- 1 DECAL
- 1 DECAL
- 1 DECAL
- 1 DECAL
- 1 DECAL
- 1 DECAL
- 1 DECAL
- 1 DECAL
- 1 DECAL

English
 Français
 Español
 Nederland
 Deutsch
 Italiano
 Dansk
 Norsk
 Svenska
 Suomi
 Turkish
 Potugues
 FOR GREEK MARKET

H

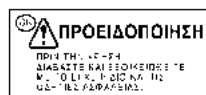
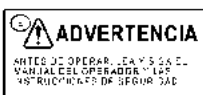
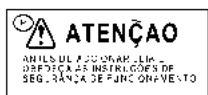
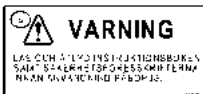
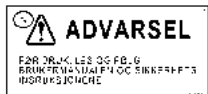
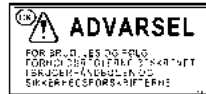
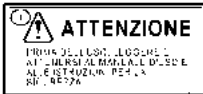
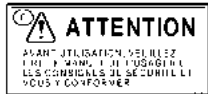
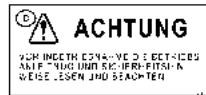
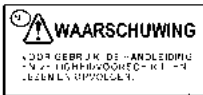
9 - Chassis / Attachments

9 -
203

DECALS - Europe Only

XTX Series XTX185, XTX200, XTX215 (2005-2007)

9203



- | | | | |
|----|----------|---|-------|
| 1 | 711013A1 | 1 | DECAL |
| 2 | 711034A1 | 1 | DECAL |
| 3 | 711035A1 | 1 | DECAL |
| 4 | 711036A1 | 1 | DECAL |
| 5 | 711037A1 | 1 | DECAL |
| 6 | 711038A1 | 1 | DECAL |
| 7 | 711039A1 | 1 | DECAL |
| 8 | 711040A1 | 1 | DECAL |
| 9 | 711041A1 | 1 | DECAL |
| 10 | 711042A1 | 1 | DECAL |
| 11 | 711043A1 | 1 | DECAL |
| 12 | 711045A1 | 1 | DECAL |
| 13 | 711044A1 | 1 | DECAL |

- English
- Francais
- Espanol
- Nederland
- Deutsch
- Italiano
- Dansk
- Norsk
- Svenska
- Suomi
- Portugues
- Turkish
- H FOR GREEK MARKET

9 - Chassis / Attachments

9 -
205

DECALS - Creep Speed



9205

XTX Series XTX185, XTX200, XTX215 (2005-2007)

IMPORTANT
THE CREEPER SPEED SHOULD BE APPLIED
ONLY FOR LIGHT-DUTY OPERATIONS

1

WICHTIG
KRIECHGÄNGE DÜRFEN NUR FÜR LEICHTE
PLEGEARBEITEN BENUTZT WERDEN

2

IMPORTANT
LES VITESSES LENTES NE DOIVENT ÊTRE
UTILISÉES QUE POUR LES APPLICATIONS LÉGÈRES

3

IMPORTANTE
INSERIRE IL R CUTTORE SOLTANTO
PER IMP EGHI LEGGERI

4

IMPORTANTE
LA MARCHA SUPERRFUGIDA DEBEM
APLICARSE UNICAMENTE EN TRABAJOS LIGEROS

5

VIKTIGT
KRYPEHASTIGHET SKAL KUN BRUCKES
VED LETTERE ARBEIDSOOPERASJONER

6

VIKTIGT
KRYPVÅXELN BÖR ENDAST ANVÄNDAS
FÖR LÄTTA ARBETEN

7

TARKEÄÄ
RYÖMINTÄNOPEUTTA PITÄISI
KÄYTTÄÄ VAIN KEVYISSÄ TOISSÄ

8

VIKTIGT
KRYPEGEARET MÅ KUN ANVÄNDES
TIL LETTERE ARBEIDSOOPERASJONER

9

ΣΗΜΑΝΤΙΚΟ
ΟΙ ΚΡΥΠΕΥΣΕΙΣ ΤΑΧΥΤΗΤΕΣ ΠΡΟΟΡΙΖΟΝΤΑΙ
ΧΡΗΣΙΜΟΠΟΙΟΥΝΤΑΙ ΜΟΝΟ ΓΙΑ ΕΛΑΦΡΑ
ΕΡΓΑΣΙΑ

10

IMPORTANTE
AS MARCHAS SUPER LENTAS (CREEPER) SE
DEVEM SER UTILIZADAS EM TRABALHOS LEVES

11

BELANGRIJK
DE KRIJFVERSMELLING MAG ALLEEN GEBRUIKT
WORDEN VOOR LICHTE WERKZAAMHEDEN

12

ÖNEMLI
EN DÜŞÜK HIZI YALNIZ
HAFIF İŞLERDE KULLANINTZ

13

- | | | | |
|----|----------|---|-------|
| 1 | 276660A1 | 1 | DECAL |
| 2 | 276659A1 | 1 | DECAL |
| 3 | 276661A1 | 1 | DECAL |
| 4 | 276664A1 | 1 | DECAL |
| 5 | 276662A1 | 1 | DECAL |
| 6 | 276668A1 | 1 | DECAL |
| 7 | 276667A1 | 1 | DECAL |
| 8 | 276669A1 | 1 | DECAL |
| 9 | 276666A1 | 1 | DECAL |
| 10 | 276670A1 | 1 | DECAL |
| 11 | 276663A1 | 1 | DECAL |
| 12 | 276665A1 | 1 | DECAL |
| 13 | 276671A1 | 1 | DECAL |

- English
- Francais
- Espanol
- Nederland
- Deutsch
- Italiano
- Dansk
- Suomi
- Portugues
- Turkish
- Svenskt
- Norge
- FOR GREEK MARKET

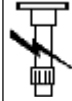
H

9 - Chassis / Attachments

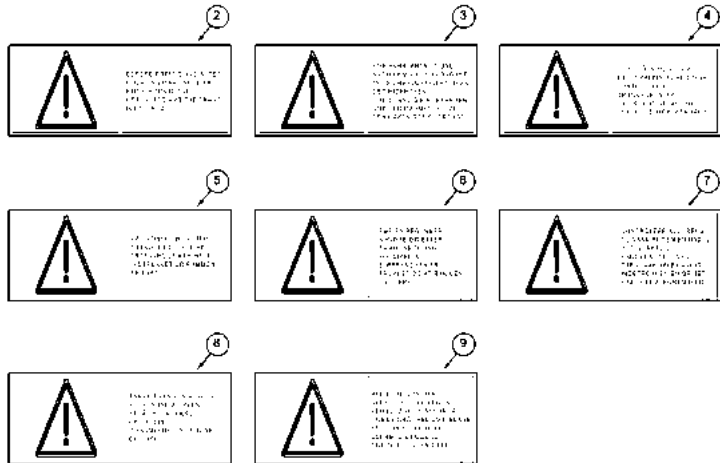
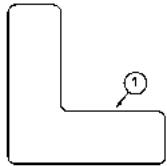
9 -
207

DECALS - HITCH - Warning

XTX Series XTX185, XTX200, XTX215 (2005-2007)



9207



- | | | | |
|---|----------|---|-------|
| 1 | 282629A1 | 2 | DECAL |
| 2 | 711014A1 | 1 | DECAL |
| 3 | 711046A1 | 1 | DECAL |
| 4 | 711047A1 | 1 | DECAL |
| 5 | 711048A1 | 1 | DECAL |
| 6 | 711049A1 | 1 | DECAL |
| 7 | 711052A1 | 1 | DECAL |
| 8 | 711050A1 | 1 | DECAL |
| 9 | 711051A1 | 1 | DECAL |

English
Francais
Nederland
Deutsch
Dansk
Norsk
Svenska
Suomi